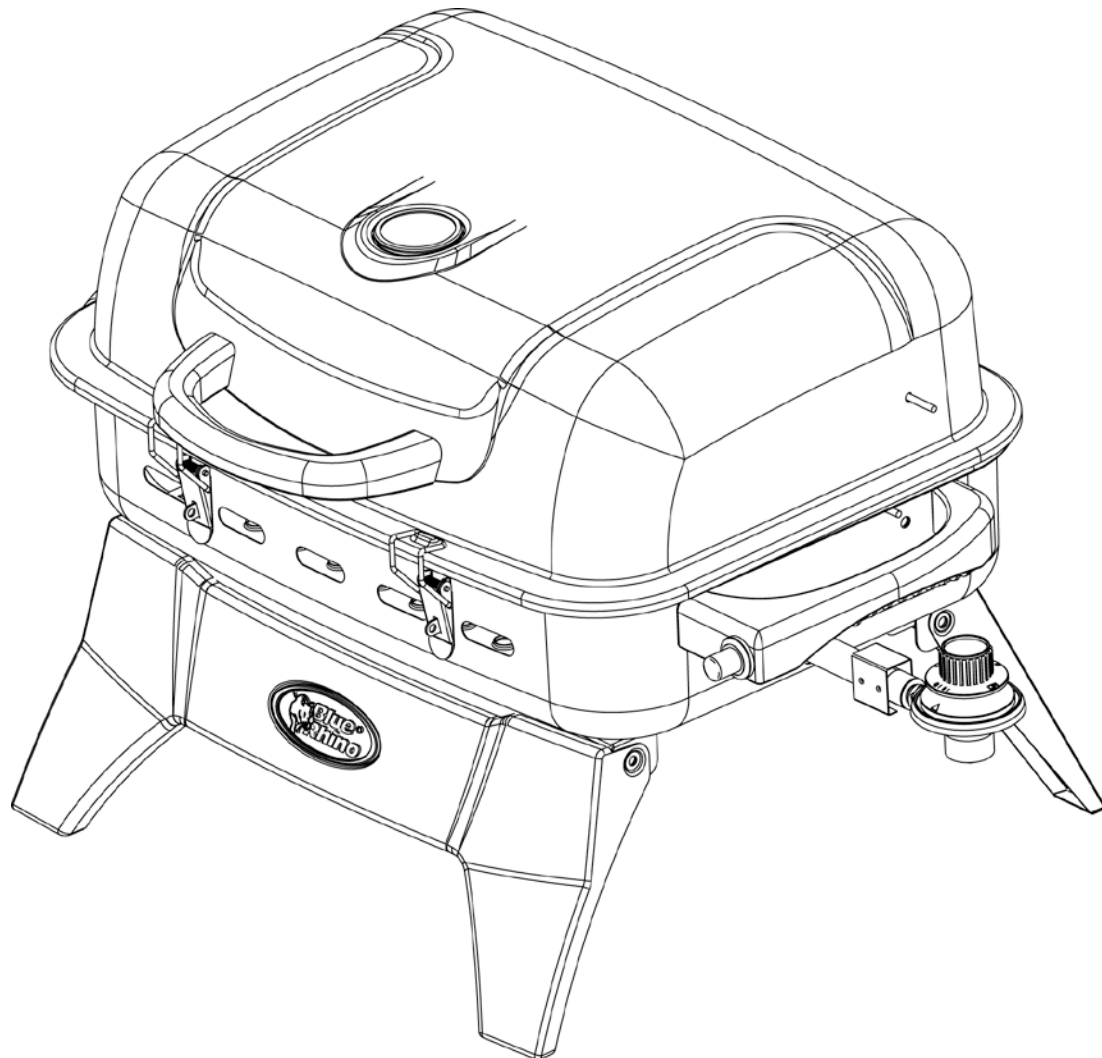




OWNER'S MANUAL

Outdoor LP Gas Barbecue Grill

Model No. NSP2304L / 0184639



 **WARNING**
FOR YOUR SAFETY:
For Outdoor Use Only
(outside any enclosure)

 **WARNING**
FOR YOUR SAFETY:

- 1. Improper installation, adjustment, alteration, service or maintenance can cause injury or property damage.**
- 2. Read the installation, operation and maintenance instructions thoroughly before installing or servicing this equipment.**
- 3. Failure to follow these instructions could result in fire or explosion which could cause property damage, personal injury or death.**

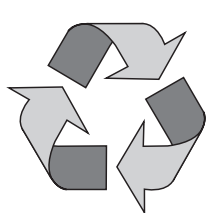
Save these instructions for future reference. If you are assembling this unit for someone else, give this manual to him or her to read and save for future reference.

Table of Contents

Important Safeguards	Page 2
Exploded View & Hardware	3
Assembly Instructions	4
Operating Instructions	7
Checking for Leaks	7
First Use	7
Lighting	8
Turning Off	8
Cooking	8
Tips	8
Cleaning and Care	8
Product Registration	9
Limited Warranty	9
Troubleshooting	10

The use and installation must conform with local codes or, in the absence of local codes, with either the *National Fuel Gas Code, ANSI Z223.1/NFPA 54, Natural Gas and Propane Installation Code, CSA B149.1, or Propane Storage and Handling Code, B149.2, or the Standard for Recreational Vehicles, ANSI A 119.2/NFPA 1192, and CSA Z240 RV Series, Recreational Vehicle Code*, as applicable.

California Proposition 65: Chemicals known to the State of California to cause cancer, birth defects, or other reproductive harm are created by the combustion of propane.
California Proposition 65: Wash your hands after handling this product.



Made from 70% Bagasse
(Environmentally Friendly Sugar Cane Pulp By-product)



Manufactured in China for:
Blue Rhino Global Sourcing, Inc
Winston-Salem, NC USA
1.800.762.1142, www.bluerhino.com

© 2010 Blue Rhino Global Sourcing, Inc. All Rights Reserved
Blue Rhino® is a Registered Trademark of Ferrellgas, L.P.. All Rights Reserved.



DANGER



If you smell gas -

1. Shut off gas to appliance.
2. Extinguish any open flame.
3. Open lid.
4. If odor continues, keep away from the appliance and immediately call your gas supplier or your fire department.

WARNING

FOR YOUR SAFETY

1. Do not store or use gasoline or other flammable liquids or vapors in the vicinity of this or any other appliance.
2. An LP cylinder not connected for use shall not be stored in the vicinity of this or any other appliance.

DANGER



Do not leave a lit grill unattended.

▲ **DANGER:** Failure to follow the dangers, warning and cautions in this manual may result in serious bodily injury or death, or in a fire or an explosion causing damage to property.

- ▲ **WARNING:**
- ▲ This grill is for outdoor use only and shall not be used in a building, garage or any other enclosed area.
 - ▲ This grill is NOT for commercial use.
 - ▲ This is not a tabletop grill. Therefore, do not operate this grill on any type of tabletop surface.
 - ▲ This grill is safety certified for use in the United States and Canada only. Do not modify for use in any other location. Modification will result in a safety hazard and will void warranty.
 - ▲ Do NOT operate, light or use this appliance within 8 feet of walls, structures or buildings.
 - ▲ Apartment Dwellers: Check with management to learn the requirements and fire codes for using an LP gas grill in your apartment complex. If allowed, use outside on the ground floor with an eight (8) feet clearance from walls or rails. Do not use on or under balconies.
 - ▲ This grill is for use with liquid propane (LP) gas only. The conversion to or attempted use of natural gas in this LP gas grill is dangerous and will void your warranty.
 - ▲ LP gas characteristics:
 - a. LP gas is flammable and hazardous if handled improperly. Become aware of the characteristics before using any LP gas product.
 - b. LP gas is explosive under pressure, heavier than air and settles and pools in low areas.
 - c. LP gas in its natural state has no odor. For your safety, an odorant is added that smells like rotten cabbage.
 - d. Contact with LP gas can cause freeze burns to skin.
 - ▲ Only tanks marked "propane" may be used with this appliance.
 - ▲ The LP gas tank must be constructed and marked in accordance with the *Specifications for LP gas Cylinders of the U.S. Department of Transportation (DOT) or the National Standard of Canada, CAN/CSA-B339, Cylinders, Spheres and Tubes for the Transportation of Dangerous Goods; and Commission.*
 - ▲ LP gas tank must be arranged for vapor withdrawal.
 - ▲ Dented or rusted LP gas tanks may be hazardous and should be checked by your LP gas supplier prior to use.
 - ▲ The LP gas tank should not be dropped or handled roughly.
 - ▲ LP gas tanks must be stored outdoors out of the reach of children and must not be stored in a building, garage, or any other enclosed area. Your tank must never be stored where temperatures can reach over 125°F.
 - ▲ Do not insert any tool or foreign object into the valve outlet or safety relief valve. You may damage the valve and cause a leak. Leaking propane may result in explosion, fire, severe personal injury or death.
 - ▲ Do not block holes in sides or back of grill.
 - ▲ Never attempt to attach this grill to the self-contained LP gas system of a camper trailer, motor home or house.
 - ▲ Do not store a spare LP gas tank under or near this appliance.
 - ▲ The use of alcohol, prescription or non-prescription drugs may impair the consumer's ability to properly assemble or safely operate the appliance.
 - ▲ Strong odors, colds, sinus congestion, etc. may prevent the detection of propane. Use caution and common sense when testing for leaks.
 - ▲ Never use charcoal, lighter fluid, lava rocks, gasoline, kerosene or alcohol with this product.
 - ▲ Your grill has been checked at all factory connections for leaks. Re-check all connections as movement in shipping can loosen connections.
 - ▲ Check for leaks even if your unit was assembled for you by someone else.
 - ▲ Do not operate if gas leak is present. Gas leaks may cause a fire or explosion.
 - ▲ You must follow all leak-checking procedures before operating. To prevent fire or explosion hazard when testing for a leak:
 - a. Always perform leak test before lighting the grill and each time the tank is connected for use.
 - b. Do not use or permit sources of ignition in the area while conducting a leak test. No smoking.
 - c. Conduct the leak test outdoors in a well-ventilated area.
 - d. Do not use matches, lighters or a flame to check for leaks.
 - e. Do not use grill until any and all leaks are corrected.If you are unable to stop a leak disconnect the LP gas supply. Call our customer care at 1.800.762.1142, a gas appliance serviceman or your local LP gas supplier.
 - ▲ Do not use in an explosive atmosphere. Keep grill area clear and free from combustible materials, gasoline and other flammable vapors and liquids.
 - ▲ Keep all combustible items and surfaces at least 36 inches (91 cm) away from the grill at all times. DO NOT use this grill or any gas product under any overhead or near any unprotected combustible constructions.
 - ▲ It is essential to keep the grill's valve compartment, burners and circulating air passages clean. Inspect grill before each use.
 - ▲ Do not use the grill unless it is COMPLETELY assembled and all parts are securely fastened and tightened.
 - ▲ This grill should be thoroughly cleaned and inspected on a regular basis.
 - ▲ Do not alter grill in any manner. Any alteration will void your warranty.
 - ▲ Use only the regulator provided. Any replacement regulator shall be specified by the manufacturer.
 - ▲ Use only Blue Rhino Global Sourcing, Inc. factory authorized parts. The use of any part that is not factory authorized can be dangerous. This will also void your warranty.
 - ▲ Do not attempt to repair or alter the hose/regulator for any "assumed" defect. Any modification to this assembly will void your warranty and create the risk of a gas leak and fire. Use only authorized replacement parts supplied by manufacturer.
 - ▲ Do not use this appliance without reading "Operating Instructions" in this manual.
 - ▲ Do not touch metal parts of grill until it has completely cooled (about 45 min.) to avoid burns, unless you are wearing protective gear (pot holders, gloves, BBQ mittens, etc.).
 - ▲ Do not install or use in or on boats or recreational vehicles.
 - ▲ Do not use grill in a vehicle trunk, station wagon, mini-van, sport utility vehicle (SUV) or recreational vehicle (RV).
 - ▲ When cooking fire extinguishing materials shall be readily accessible. In the event of an oil/grease fire, do not attempt to extinguish with water. Use type BC dry chemical fire extinguisher or smother with dirt, sand or baking soda.
 - ▲ Move gas hoses as far away as possible from hot surfaces and dripping hot grease.
 - ▲ Do not use grill in high winds.
 - ▲ Never lean over grill when lighting.
 - ▲ Do not leave a lit grill unattended. Keep children and pets away from grill at all times.
 - ▲ Do not attempt to move grill when in use. Allow the grill to cool (approximately 45 minutes) before moving or storing.
 - ▲ Storage of grill indoors is permissible only if the tank is disconnected, removed from the grill and properly stored outdoors.
 - ▲ While wearing a protective glove or mit, open grill lid carefully and slowly as heat and steam trapped within grill can severely burn you.
 - ▲ Do not attempt to disconnect the gas regulator from the tank or any gas fitting while the grill is in use.
 - ▲ Disconnect LP gas tank when not in use.
 - ▲ Always use your grill on a hard, non-combustible level surface. An asphalt or blacktop surface may not be acceptable for this purpose.
 - ▲ Do not use directly on wooden decks.
 - ▲ Keep all electrical cords away from a hot grill.
 - ▲ Do not use grill for indoor cooking or heating. TOXIC fumes can accumulate and cause asphyxiation.
 - ▲ After a period of storage and/or nonuse check for leaks and burner obstructions.
 - ▲ Failure to open lid while igniting the grill's burner, or not waiting 5 minutes to allow the gas to clear if the grill does not light, may result in an explosive flame-up.
 - ▲ Never operate grill without heat plate installed.
 - ▲ Always use a meat thermometer to ensure food is cooked to a safe temperature.
 - ▲ Use protective gloves when assembling this product.
 - ▲ Do not force parts together as this can result in personal injury or damage to the product.
 - ▲ Never cover entire cooking area with aluminum foil.
 - ▲ Death, serious injury or damage to property may occur if the above is not followed exactly.

Contact 1.800.762.1142 for assistance. Do not return to place of purchase.
For great recipes and tips, visit recipes.uniflame.com

Parts List			Exploded View	
1	Lid Handle	55-10-366		
2	Temperature Gauge	55-10-367		
3	Lid	55-10-368		
4	Warming Rack	55-10-369		
5	Left Cooking Grid	55-10-370		
6	Right Cooking Grid	55-10-371		
7	Top Hinge (2)	55-10-372		
8	Bottom Hinge (2)	55-14-653		
9	Heat Plate	55-09-329		
10	Left Side Handle	55-10-373		
11	Bottom Bowl	55-10-374		
12	Heat Plate Support (2)	55-09-330		
13	Lock (2)*	55-10-375		
14	Right Side Handle	55-10-376		
15	Grease Tray	55-09-181		
16	Burner	55-10-377		
17	Igniter Wire/ Electrode*	55-10-378		
18	Grease Tray Support (2)	55-10-424		
19	Wind Guard	55-10-379		
20	Regulator/Control Knob	55-15-248		
21	Heat Reflector	55-10-425		
22	Rear Leg	55-10-380		
23	Front Leg	55-10-381		

* Pre-assembled

Hardware				
A	Screw	M3x7 Zinc Plated Phillips Truss Head	4 pcs	
B	Screw	M5x12 Zinc Plated Phillips Truss Head	10 pcs	
C	Screw	M6x8 Zinc Plated Phillips Truss Head	1 pc	
D	Screw	M6x16 Zinc Plated Phillips Truss Head	4 pcs	
E	Wing Nut	M3 Zinc Plated	4 pcs	
F	Wing Nut	M5 Zinc Plated	10 pcs	
G	Wing Nut	M6 Zinc Plated	6 pcs	
H	Washer	ø3.5 Zinc Plated	4 pcs	
I	Washer	ø5 Zinc Plated	10 pcs	
J	Washer	ø6 Zinc Plated	11 pcs	
K	Washer	ø6 Heat Resistant	8 pcs	
L	Lock Washer	ø3.5 Zinc Plated	4 pcs	
M	Lock Washer	ø5 Zinc Plated	10 pcs	
N	Lock Washer	ø6 Zinc Plated	11 pcs	
O	Pin	ø5 x 30	2 pcs	
P	Cotter Pin	ø1.4 x 30	2 pcs	

Tools Required for Assembly (Not Included)

#2 Phillips Head Screwdriver 1 pc

Assembly Instructions

1 DO NOT RETURN PRODUCT TO STORE.

For assistance call **1.800.762.1142** toll free. Please have your owner's manual and serial number available for reference.

For Easiest Assembly:

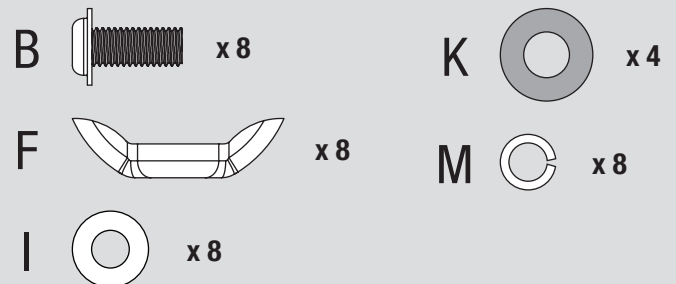
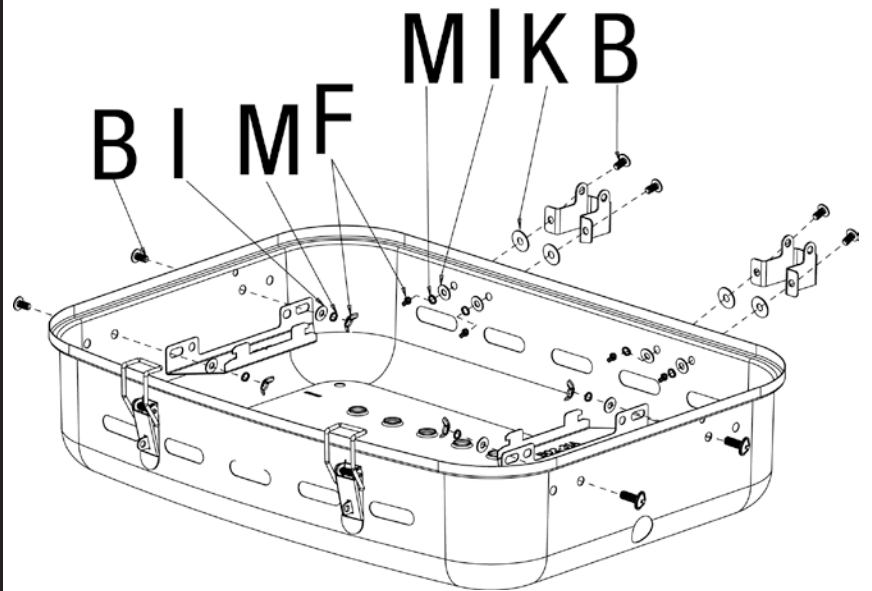
- To avoid losing any small components or hardware, assemble your product on a hard level surface that does not have cracks or openings.
- Clear an area large enough to layout all components and hardware.
- When applicable, tighten all hardware connections by hand first. Once the step is completed go back and fully tighten all hardware.
- Follow all steps in order to properly assemble your product.

To complete assembly you will need:

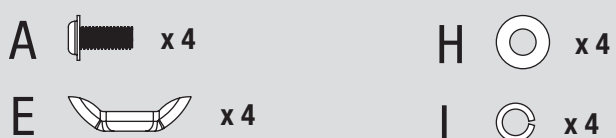
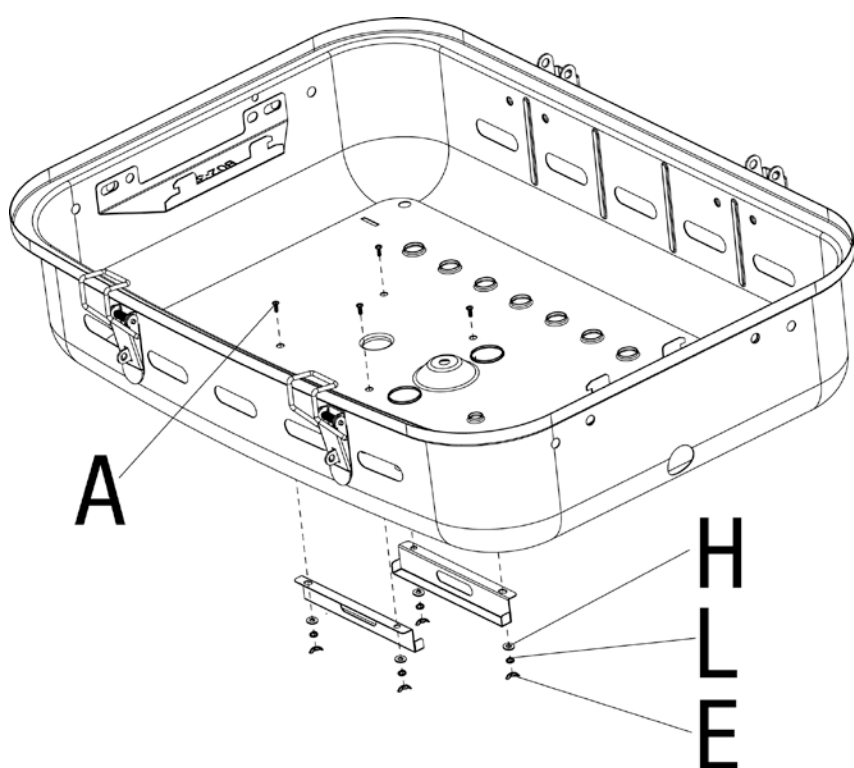
- (1) Leak Detection Solution (Instructions on how to make solution are included in "Operating Instructions" section)
- (1) 14.1 oz or (1) 16.4 oz LP gas tank.

Typical assembly: approximately 30 minutes.

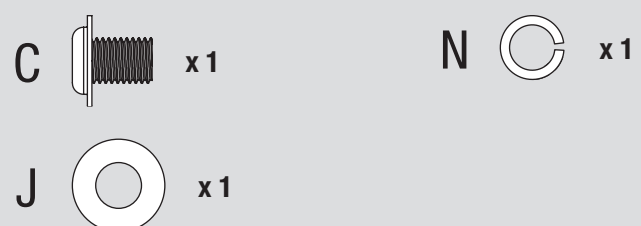
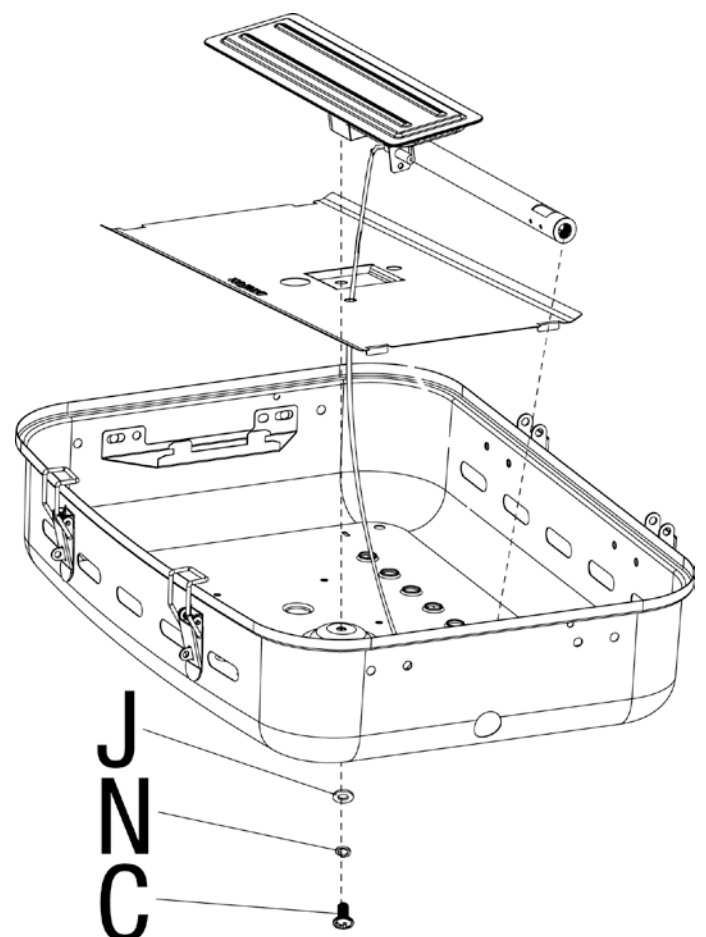
2 Attach Heat Plate Supports and Bottom Hinges



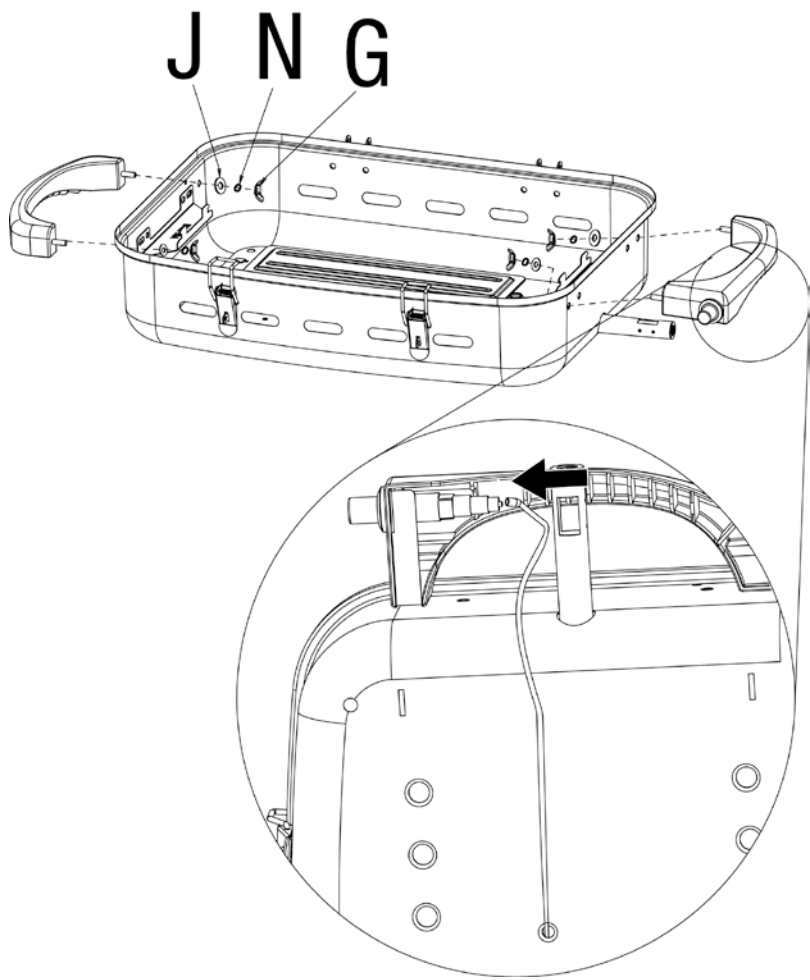
3 Attach Grease Tray Support






4 Attach Heat Reflector, Burner and Insert Igniter Wire

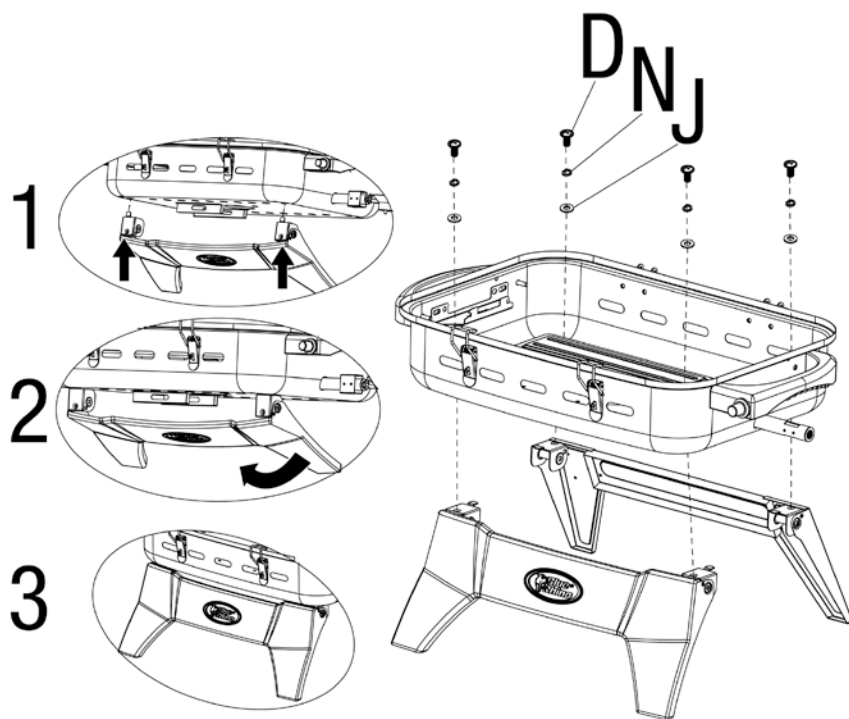


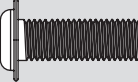


5 Attach Left and Right Side Handle and Igniter Wire



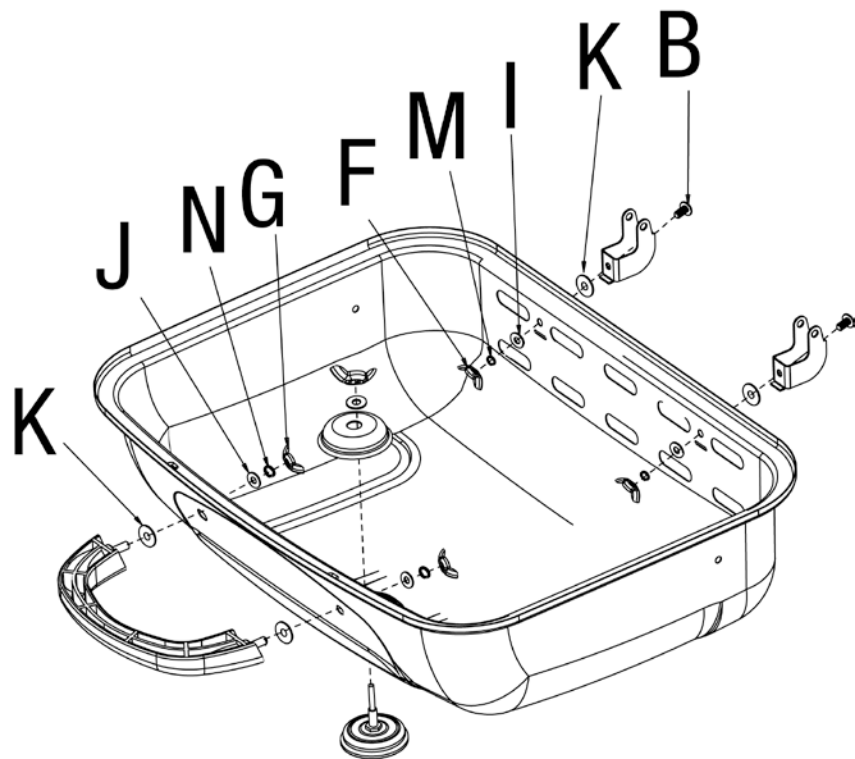
- G  x4
- J  x4
- N  x4

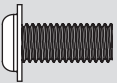

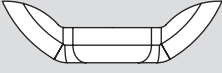





6 Attach Legs



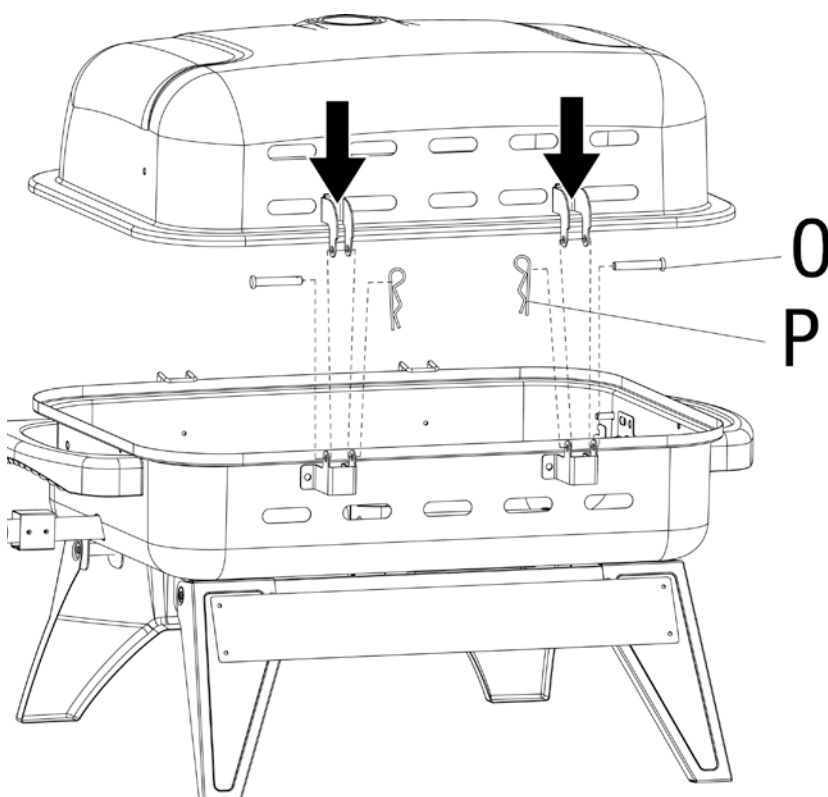
- D  x4
- J  x4
- N  x4

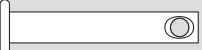
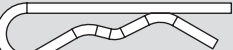
7 Attach Temperature Gauge, Lid Handle and Top Hinges

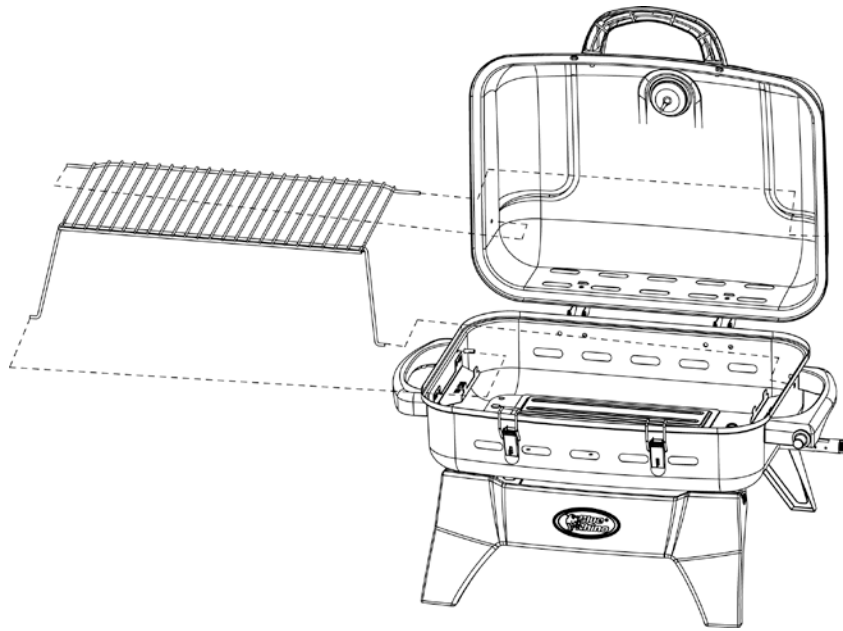
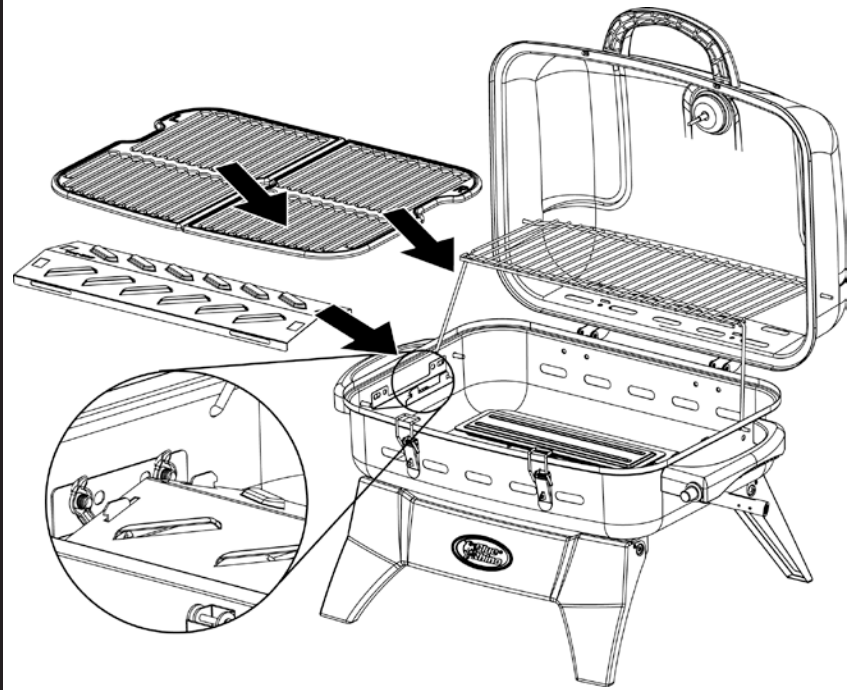


- B  x2
- F  x2
- G  x2
- I  x2
- J  x2
- K  x4
- M  x2
- N  x2

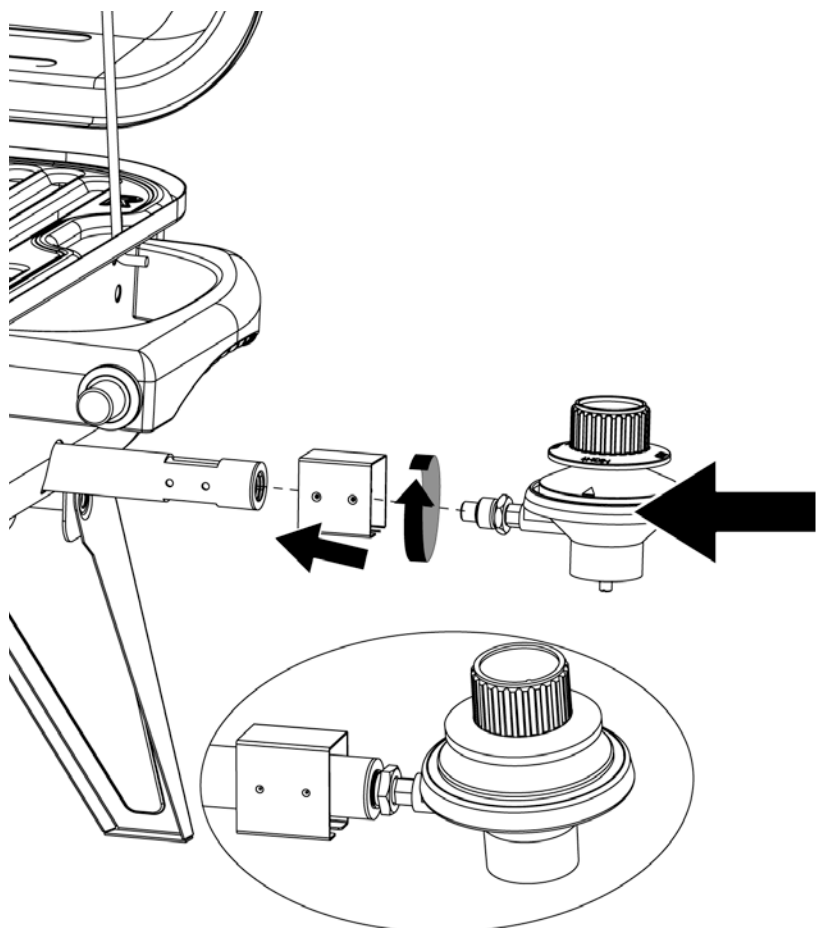
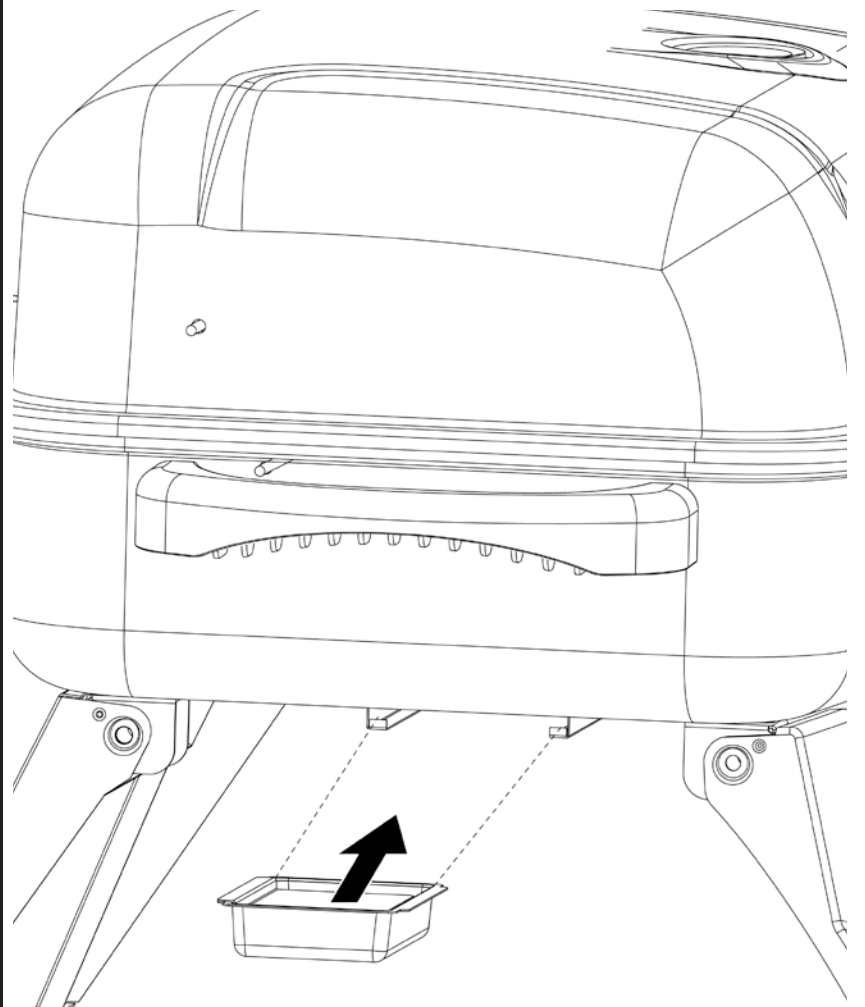
8 Attach Lid



- O  x2
- P  x2

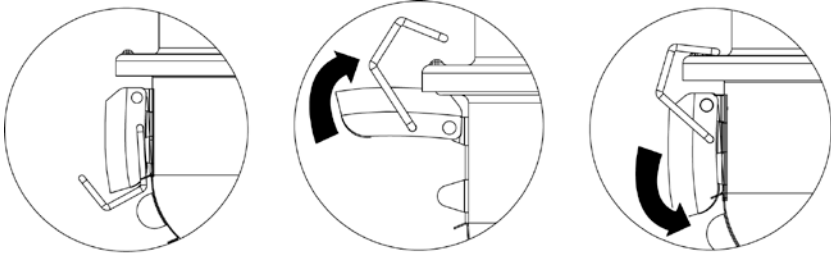
Assembly Instructions (continued)**9****Insert Warming Rack****10****Insert Heat Plate and Cooking Grid****11****Attach Wind Guard and Regulator/Control Valve**

Note: Once attached, the regulator/control knob will freely rotate to accommodate for the LP gas tank.

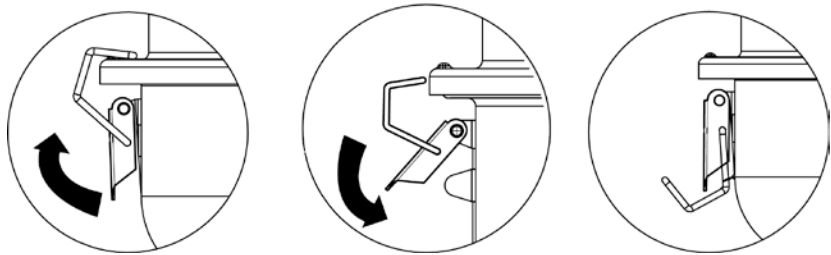
**12****Insert Grease Tray**

13

Lock Lid

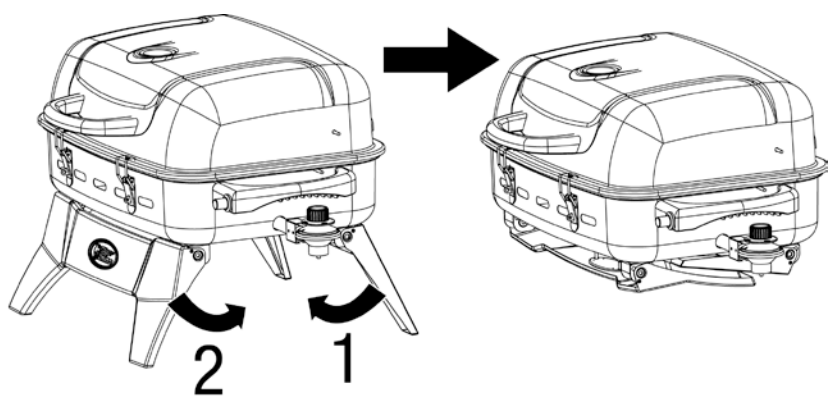


Unlock Lid

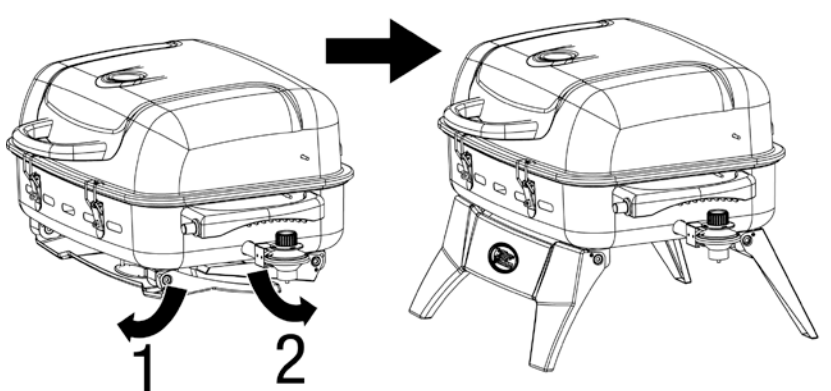


14

Fold Legs



Unfold Legs



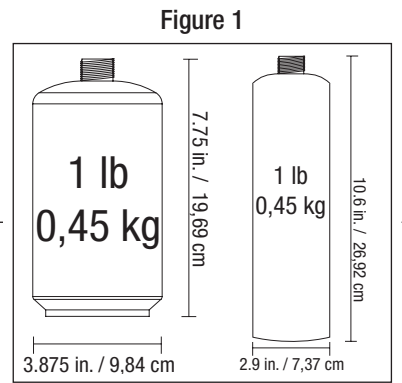
Operating Instructions

This grill is designed to operate with a one pound 7.75" or 10.6" high disposable / 16.4 oz. or 14.1 oz. propane gas tank (DOT 39 Cylinder). (Figure 1)
DO NOT ATTEMPT TO REFILL ANY ONE POUND (16.4 oz. or 14.1 oz.) PROPANE GAS TANKS!

Connect LP Gas Tank

Only cylinders marked "propane" may be used.
Note: Some 1-lb cylinders may form frost when near empty.

1. Make sure the regulator/control knob is in the "LOCK/OFF" position. (Figure 2)
2. Lubricate the threads of the regulator/control knob with petroleum jelly. Line up threads on LP gas tank with regulator/control knob.
3. Insert and rotate LP gas tank clockwise until they fit snugly together. **HAND TIGHTEN ONLY.** Be careful not to cross threads when screwing in canister. (Figure 3a)
4. Test for leaks, see "Checking for Leaks" section.



Disconnect LP Gas Tank

1. Turn the regulator/control knob to the "LOCK/OFF" position. (Figure 2)
2. Rotate LP gas tank counterclockwise until it is loose. (Figure 3b)
3. Store the LP gas tank in a proper location.

Burner Connection

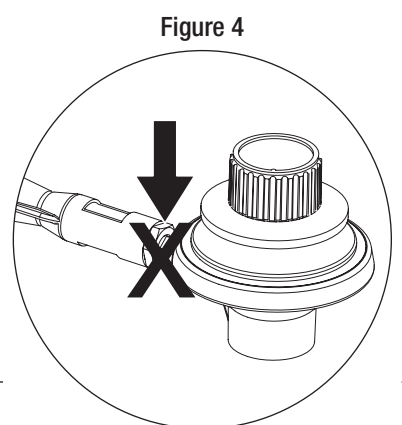
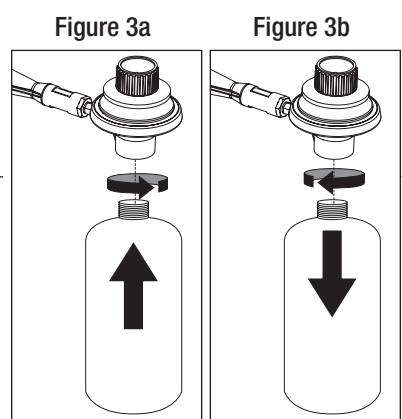
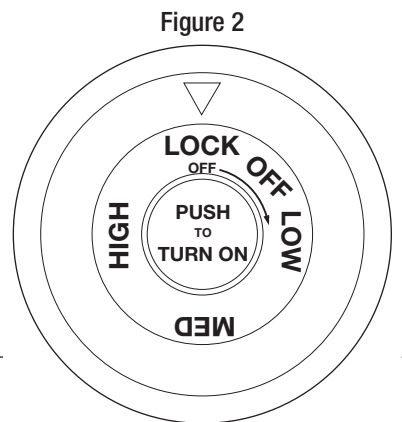
Make sure the regulator/control knob is securely fastened to the burner. (Figure 4)

Note: The brass nut should be 1/4 to 1/2 turn past tight. The regulator will rotate 360° even when the brass nut is tightened.

If your unit was assembled for you, visually check the connection between the burner and control valve.

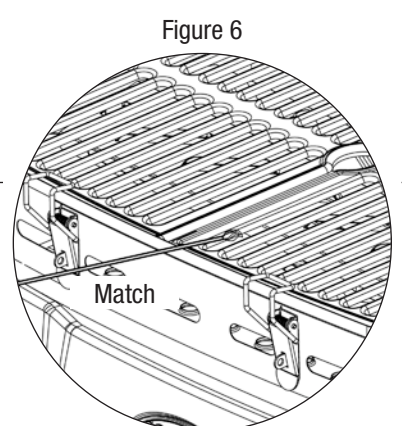
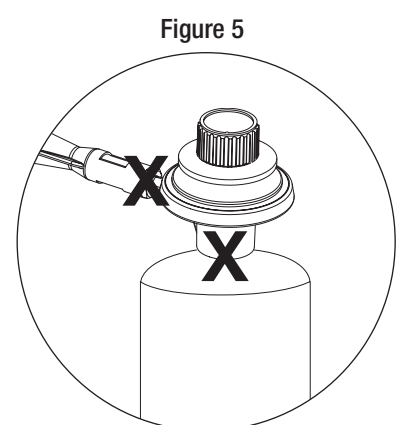
If you have questions contact 1.800.762.1142 for assistance.

▲ WARNING: Failure to inspect this connection or follow these instructions could cause a fire or an explosion which can cause death, serious bodily injury or damage to property.



Checking for Leaks

1. Make 2-3 oz. of leak solution by mixing one part liquid dishwashing soap with three parts water.
2. Make sure regulator/control knob is "LOCK/OFF". (Figure 2)
3. Spoon several drops of solution, or use squirt bottle, at all "X" locations. (Figure 4 & 5)
4. Inspect the solution at the connections, looking for bubbles.
 - a. If NO bubbles appear after one minute, the connections are secure. Wipe away solution and proceed.
 - b. If bubbles appear, you have a leak.
 1. Remove the LP gas tank and reconnect, making sure the connection is secure.
 2. Retest with solution.
 If you continue to see bubbles after several attempts, disconnect LP gas tank and contact 1.800.762.1142 for assistance.



First Use

1. Make sure all labels, packaging and protective films have been removed from the grill.
2. Remove manufacturing oils before cooking on this grill for the first time by operating the grill for at least 15 minutes on "HIGH" with the lid closed. This will "heat clean" the internal parts and dissipate odors.

Operating Instructions

Lighting

▲ **Caution: Keep outdoor gas cooking appliance area clear and free from combustible materials, gasoline and other flammable vapors and liquids.**

▲ **Caution: Do not obstruct the flow of combustion and ventilation air.**

▲ **Caution: Check and clean burner/venturi tubes for insects and insect nests. A clogged tube can lead to a fire beneath the grill.**

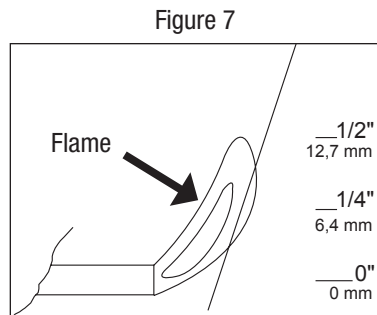
▲ **Caution: Attempting to light the burner with the lid closed may cause an explosion.**

1. Make sure all labels, packaging and protective films have been removed from the grill.
2. Open lid.
3. Make sure there are no obstructions of airflow to the gas unit. Spiders and insects can nest within and clog the burner / venturi tube at the orifice.
4. The regulator/control knob must be in the "LOCK/OFF" position. (Figure 2)
5. Turn the regulator/control knob to "HIGH"
6. Press the igniter button repeatedly to light burner.
7. If ignition does not occur in 5 seconds, turn burner control knob "LOCK/OFF", wait 5 minutes and repeat lighting procedure.
8. If igniter does not light burner, use a lit match to light burner manually.
 - a. Turn the regulator/control valve to "LOW".
 - b. Position the lit match near side of the burner.

Note: Access the burner through the hole in bottom bowl as indicated. (Figure 6)

9. After lighting, observe the burner flame. Make sure all burner ports are lit and flame height matches illustration. (Figure 7)

▲ **Caution: If burner flame goes out during operation, immediately turn the regulator/control knob "OFF" and open lid to let the gas clear for about 5 minutes before re-lighting.**



Turning Off

1. Turn regulator/control knob to the "LOCK/OFF" position. (Figure 2)
2. Remove LP gas tank and properly store tank.

Cooking

1. Open lid and ignite burner per "Lighting Instructions".
2. Close lid and preheat grill on "HIGH".
3. Adjust controls to desired temperature.
4. Wearing protective gloves lift lid by handle(s) and use long handle tongs to place food onto cooking grids above the lit burners.
5. With lid open or closed, cook until desired internal food temperatures are achieved.
6. Turn grill "OFF" by turning regulator/control knob to the "LOCK/OFF" position. Remove LP gas tank and properly store tank.

Controlling Flare-ups

▲ **Caution: Putting out grease fires by closing the lid is not possible.**

- Do not use water on a grease fire. This can cause the grease to splatter and could result in serious burns, bodily harm or other damage. If a grease fire develops, turn regulator/control knob "OFF".
- Do not leave grill unattended while preheating or burning off food residue on "HIGH". If grill has not been regularly cleaned, a grease fire can occur that may damage the product.

▲ **WARNING: When cooking, fire extinguishing materials shall be readily accessible. In the event of an oil/grease fire, do not attempt to extinguish with water. Use type BC dry chemical fire extinguisher or smother with dirt, sand or baking soda.**

Controlling Flare-ups:

Flare-ups are a part of cooking meats on a grill, and adds to the unique flavor of grilling. Excessive flare-ups can over cook your food and cause a dangerous situation for you and your grill.

Important: Excessive flare-ups result from the build-up of grease in the bottom of your grill. If excessive flare-ups occur, **DO NOT** pour water onto the flames.

If grease fire occurs, close the lid AND turn the regulator/control knob to "OFF", until the grease burns out. Use caution when opening the lid as sudden flare-ups may occur.

Tips for Better Cookouts and Longer Grill Life

1. For great recipes and tips, visit recipes.uniflame.com
2. For food safety tips visit: http://www.fsis.usda.gov/Fact_Sheets/Barbecue_Food_Safety/
3. Use the upper cooking grid (warming rack) for keeping cooked food warm, toasting breads or cooking delicate foods in aluminum foil pouches.
4. Use the side burner of this appliance like a normal kitchen range for boiling, sautéing or frying.
5. To keep food from sticking to the grids, spray or coat with cooking oil before lighting.
6. To reduce flare-up keep grill clean, use lean cuts of meat (or trim fat) and avoid cooking on very high temperatures.
7. Place delicate foods like fish and vegetables in aluminum foil pouches and indirect cook or place on upper cooking levels (warming rack).

▲ **WARNING: Never cover entire cooking area with aluminum foil.**
8. To avoid losing natural juices, use long handled tongs or spatulas instead of forks and turn foods over just once during cooking.
9. When direct cooking adjust your burners to different levels so foods can be prepared to different internal temperatures in the same time frame.
10. When indirect cooking roasts and larger cuts of meat, place meat onto a roasting rack inside a heavy gauge metal pan. Place pan over the un-lit burners.
11. Try water pans to reduce flare-ups and cook juicer meats. Before starting grill remove cooking grids and place a heavy duty shallow pan directly on heat plates. Fill half way with water, fruit juices or other flavored liquids. Replace cooking grids and position food over the loaded pan.
12. Enhance food flavors by using wood chips in smoker boxes or aluminum foil pouches. Follow the wood manufacturer's instructions.
13. Rotisseries, grill baskets, vertical poultry holders and other accessories can enhance your experiences, reduce cooking times and aid in clean-up.
14. Clean cooking grids and racks after every use with a quality grill brush designed for your grid material. Wear protective gloves and gently remove the build-up while grids are hot.
15. After every use, allow grill to cool. Then protect clean cooking grids with a light coat of cooking oil, empty grease pan, wipe outside surfaces with a suitable kitchen cleaner and protect surfaces with a quality cover that properly fits your grill.
16. Watch barbecue themed TV shows or purchase related barbecue cookbooks to learn more interesting tips like –

A gas grill is ideal for reheating leftover pizza. Set burners on low and place pizza slices directly on preheated cooking grid. Close lid and cook until cheese starts to bubble.

Cleaning and Care

▲ **Caution:**

1. All cleaning and maintenance should be done when grill is completely cool (about 45 min.) and with the LP gas tank disconnected.
2. **DO NOT** clean any grill part in a self cleaning oven. The extreme heat will damage the finish.

Notices

1. Abrasive cleaners will damage this product.
2. Never use oven cleaner to clean any part of grill.
3. Do not clean any grill part in a self cleaning oven. The extreme heat will damage the finish.

Cleaning Surfaces

1. Wipe surfaces clean with mild dishwashing detergent or baking soda.
2. For stubborn surfaces use a citrus based degreaser and a nylon scrubbing brush.
3. Rinse clean with water.

Cleaning Burner

1. Turn regulator/control knob to "LOCK/OFF" and remove LP gas tank. Wait for grill to fully cool (about 45 min.).
2. Remove regulator/control knob and wind guard.
3. Remove cooking grids and heat plate.
4. Disconnect wire from igniter, if applicable.
5. Remove burner.
6. Remove all food residue and dirt on burner surface.
7. Clean inlet of burner with small bottle brush or compressed air.
8. Clean any clogged ports with a stiff wire (such as an opened paper clip)
9. Inspect burner for any damage (cracks or holes). If damage is found, replace with new burner.
10. Reinstall burner. Reconnect igniter (if applicable), wind guard and regulator/control knob.
11. Replace heat plate and cooking grid
12. Perform leak test.

Cleaning and Care (continued)

Before Storing

1. Turn regulator/control knob to "LOCK/OFF" and remove LP gas tank.
2. Clean all surfaces.
3. Lightly coat the burners with cooking oil to prevent excess rusting.
4. If storing the grill indoors, disconnect the LP gas tank, see "Disconnect LP Gas Tank" section, and leave the LP gas tank OUTDOORS.
5. Place the protective cap cover on the LP tank and store the tank outdoors in a well ventilated area out of direct sunlight.
6. If storing the grill outdoors, cover the grill with a grill cover for protection from the weather.

Product Registration

For faster warranty service, register your product immediately at www.bluerhino.com or call 1.800.762.1142.

Limited Warranty

Blue Rhino Global Sourcing, Inc ("Vendor") warrants to the original retail purchaser of this product, and to no other person, that if this product is assembled and operated in accordance with the printed instructions accompanying it, then for a period of one (1) year from the date of purchase, all parts in such product shall be free from defects in material and workmanship. Vendor may require reasonable proof of your date of purchase. Therefore, you should retain your sales slip or invoice. This Limited Warranty shall be limited to the repair or replacement of parts, which prove defective under normal use and service and which Vendor shall determine in its reasonable discretion upon examination to be defective. Before returning any parts, you should contact Vendor's Customer Service Department using the contact information listed below. If Vendor confirms, after examination, a defect covered by this Limited Warranty in any returned part, and if Vendor approves the claim, Vendor will replace such defective part without charge. If you return defective parts, transportation charges must be prepaid by you. Vendor will return replacement parts to the original retail purchaser, freight or postage prepaid.

This Limited Warranty does not cover any failures or operating difficulties due to accident, abuse, misuse, alteration, misapplication, improper installation or improper maintenance or service by you or any third party, or failure to perform normal and routine maintenance on the product as set out in this owner's manual. In addition, the Limited Warranty does not cover damage to the finish, such as scratches, dents, discoloration, rust or other weather damage, after purchase.

This Limited Warranty is in lieu of all other express warranties. Vendor disclaims all warranties for products that are purchased from sellers other than authorized retailers or distributors, including the warranty of merchantability or the warranty of fitness for a particular purpose. VENDOR ALSO DISCLAIMS ANY AND ALL IMPLIED WARRANTIES, INCLUDING WITHOUT LIMITATION THE IMPLIED WARRANTIES OF MERCHANTABILITY AND FITNESS FOR A PARTICULAR PURPOSE. VENDOR SHALL NO LIABILITY TO PURCHASER OR ANY THIRD PARTY FOR ANY SPECIAL, INDIRECT, PUNITIVE, INCIDENTAL, OR CONSEQUENTIAL DAMAGES. Vendor further disclaims any implied or express warranty of, and assumes no responsibility for, defects in workmanship caused by third parties.

This Limited Warranty gives the purchaser specific legal rights; a purchaser may have other rights depending upon where he or she lives. Some jurisdictions do not allow the exclusion or limitation of special, incidental or consequential damages, or limitations on how long a warranty lasts, so the above exclusion and limitations may not apply to everyone.

Vendor does not authorize any person or company to assume for it any other obligation or liability in connection with the sale, installation, use, removal, return, or replacement of its equipment, and no such representations are binding on Vendor.

Blue Rhino Global Sourcing, Inc
Winston-Salem, North Carolina USA
(800) 762-1142



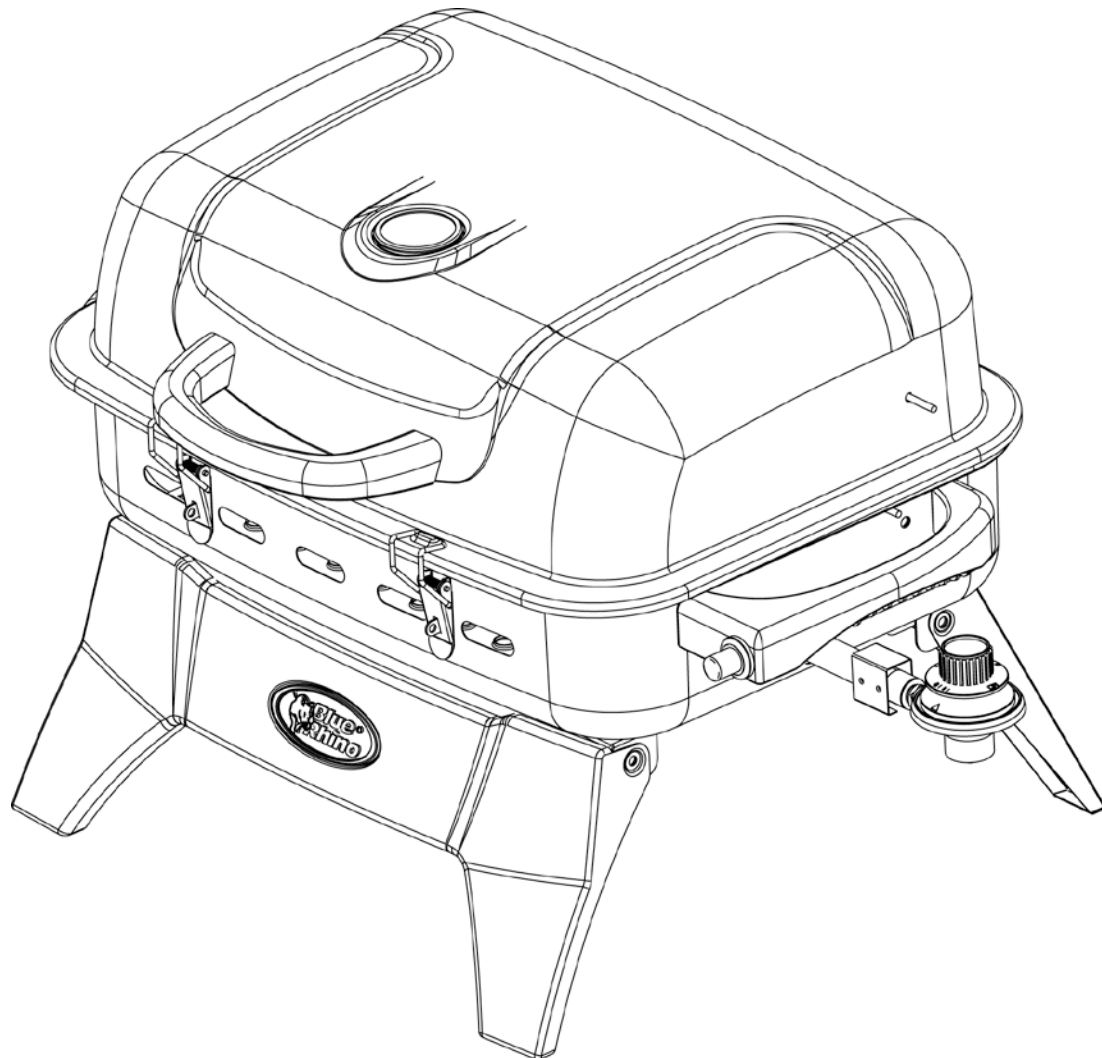
Troubleshooting

Problem	Possible Cause	Prevention/Cure
Burner will not light using ignitor (if included)	LP gas tank is low or empty	Replace LP gas tank
	LP gas leak	Follow "Checking for Leaks" instructions in the owner's manual
	Wires or electrode covered with cooking residue	Clean wire and/or electrode with rubbing alcohol
	Electrode and burners are wet	Wipe dry with cloth
	Electrode cracked or broken - sparks at crack	Replace electrode, please call our Customer Care at 1.800.762.1142
	Wire loose or disconnected	Reconnect wire or replace electrode/wire assembly, please call our Customer Care at 1.800.762.1142
	Wire is shorting (sparking) between ignitor and electrode	Replace ignitor wire/electrode assembly, please call our Customer Care at 1.800.762.1142
	Bad ignitor	Replace ignitor, please call our Customer Care at 1.800.762.1142
Burner will not light with match	No gas flow	Check if LP gas tank is empty A. If empty, replace B. If LP gas tank is not empty, refer to "Sudden drop in gas flow or reduced flame height"
	LP gas tank is low or empty	Replace LP gas tank
	LP gas leak	Follow "Checking for Leaks" instructions in the owner's manual
	Coupling nut and regulator not fully connected	Turning the coupling nut about one-half to three quarters additional turn until solid stop. Tighten by hand only-do not use tools
	Obstruction of gas flow	Clear burner tubes, per cleaning instruction on www.bluerhino.com
	Spider webs or insect nest in venturi	Clean venturi and burner tube, per cleaning instruction on www.bluerhino.com
	Burner ports clogged or blocked	Clean burner ports, per cleaning instruction on www.bluerhino.com
Sudden drop in gas flow or reduced flame height	Out of gas	Replace LP gas tank
	Excess flow valve tripped; safety device may have been activated	1. Turn regulator/control knob to "LOCK/OFF" 2. Wait 30 seconds and light grill 3. If flames are still too low, reset the excessive flow safety device: a. Turn regulator/control knob "OFF" b. Remove LP gas tank c. Wait 1 minute d. Attach LP gas tank e. Perform a leak check per "Checking for Leaks" instructions in the owner's manual f. Light grill per "Lighting Instructions" instructions in the owner's manual
Irregular flame pattern, flame does not run the full length of burner	Burner ports are clogged or blocked	Clean burner ports, per cleaning instruction on www.bluerhino.com
Flame is yellow or orange	New burner may have residual manufacturing oils	Burn grill for 15 minutes on "HIGH" with the lid closed
	Spider webs or insect nest in venturi	Clean venturi, per cleaning instruction on www.bluerhino.com
	Food residue, grease, etc.	Clean burner, per cleaning instruction on www.bluerhino.com
	Poor alignment of valve to burner venturi	Assure burner venturi is properly engaged with valve
Flame blow out	High or gusting winds	Do not use grill in high winds
	Low on LP gas	Replace LP gas tank
	Excess flow valve tripped; safety device may have been activated	Refer to "Sudden drop in gas flow or reduced flame height"
Flare-up	Grease buildup	Remove and clean all grill parts per "Cleaning and Care" instructions in the owner's manual
	Excess fat in meat	Trim fat from meat before grilling
	Excessive cooking temperature	Adjust (lower) cooking temperature
Persistent grease fire	Grease trapped by food buildup around burner system	1. Turn control knob to "OFF" 2. Leave lid in closed position and let fire burn out 3. After grill cools, remove and clean all parts per "Cleaning and Care" instructions in the owner's manual
Flashback (fire in burner tube(s))	Burner and/or burner tubes are blocked	Clean burner and/or burner tube, per cleaning instruction on www.bluerhino.com
Inside of lid is peeling (like paint peeling)	The lid is stainless steel, not painted	Baked on grease buildup has turned to carbon and is flaking off, clean thoroughly per "Cleaning and Care" instructions in the owner's manual
	The lid is coated/painted	This can be from baked on grease buildup, that has turned into carbon and is flaking off Clean thoroughly, per "Cleaning and Care" instructions in the owner's manual After cleaning, if you can see steel, please call out Customer Care at 1.800.762.1142

For more assistance please visit us online at www.bluerhino.com or call 1.800.762.1142.

Parrilla a gas propano para exteriores

Modelo No. NSP2304L / 0184639



ADVERTENCIA

PARA SU SEGURIDAD:

Sólo para uso en exteriores
(fuera de cualquier espacio cerrado)



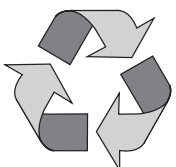
ADVERTENCIA

PARA SU SEGURIDAD:

1. La instalación, el ajuste, la alteración, la reparación o el mantenimiento inadecuado pueden ocasionar lesiones o daños a la propiedad.
2. Lea con detenimiento las instrucciones de instalación, operación y mantenimiento antes de instalar o reparar este equipo.
3. Si no sigue estas instrucciones, podría provocar un incendio o una explosión que ocasionen daños a la propiedad, lesiones personales o muerte.

Guarde estas instrucciones para consultas futuras.

Si está ensamblando esta unidad para otra persona, entréguele este manual para que lo lea y lo conserve para referencias futuras.



Hecho 70% de bagazo
(Subproducto de la pulpa de caña de azúcar ambientalmente amigable)



Índice

Medidas de seguridad importantes:	Página 2
Vista despiezada y aditamentos	3
Instrucciones de ensamblaje.	4
Instrucciones de funcionamiento	7
Búsqueda de fugas	7
Primer uso	7
Iluminación	8
Apagado	8
Cocción	8
Llamaradas	8
Consejos	8
Limpieza y cuidado.	9
Registro del producto	9
Garantía limitada	9
Solución de problemas	10

El uso y la instalación deben cumplir los códigos locales o, en su ausencia, el Código nacional de gases combustibles, ANSI Z223.1/NFPA 54, el Código de instalación de gas propano y natural, CSA B149.1, o el Código de manipulación y almacenaje de propano, B149.2, o la Norma para vehículos recreacionales, ANSI A 119.2/NFPA serie 1192 y CSA Z240 RV, Código de vehículos recreacionales, si corresponde.

Propuesta 65 de California: La combustión del propano desprende sustancias químicas reconocidas por el estado de California como causantes de cáncer y defectos congénitos u otros daños en el aparato reproductivo.

Propuesta 65 de California: Lávese las manos después de manipular el producto.

Fabricado en China por:
Blue Rhino Global Sourcing, Inc
Winston-Salem, NC 27104 EE.UU.
1.800.762.1142, www.bluerhino.com

© 2010 Blue Rhino Global Sourcing, Inc. Todos los derechos reservados.
Blue Rhino® es una marca registrada de Ferrellgas, L.P. Todos los derechos reservados.

PELIGRO

Si siente olor a gas:

1. Cierre el suministro de gas hacia el electrodoméstico.
2. Apague cualquier llama directa.
3. Abra la tapa.
4. Si el olor persiste, manténgase alejado del electrodoméstico y llame de inmediato a su proveedor de gas o al departamento de bomberos.

ADVERTENCIA**PARA SU SEGURIDAD**

1. No almacene ni utilice gasolina ni otros líquidos o vapores inflamables cerca de éste ni de ningún otro electrodoméstico.
2. No se deben almacenar cilindros de gas propano que no estén conectados y en uso cerca de éste u otro electrodoméstico.

PELIGRO

No deje la parrilla encendida sin supervisión.

▲ PELIGRO: No seguir los avisos de peligro, advertencias y precauciones de este manual podría causar lesiones personales graves o la muerte, o incendios o explosiones que causen daños a la propiedad.

▲ ADVERTENCIA:

- ▲ Esta parrilla es sólo para uso en exteriores y no se debe usar en edificios, garajes u otras áreas cerradas.
- ▲ Esta parrilla NO es para uso comercial.
- ▲ Ésta no es una parrilla de mesa. Por lo tanto, no use esta parrilla sobre ningún tipo de superficie de cubierta de mesa.
- ▲ Esta parrilla está certificada para utilizarse con seguridad en los EE.UU. y Canadá solamente. No la modifique para usarla en otro lugar. Una modificación tendrá como resultado un riesgo para la seguridad y anulará la garantía.
- ▲ NO opere, use ni encienda este electrodoméstico a menos de 2,44 m de distancia de paredes, estructuras o edificios.
- ▲ Para quienes viven en departamentos: Consulte con el administrador acerca de los requisitos y códigos de incendio para usar una parrilla a gas propano en su complejo de departamentos. Utilícela en la planta baja con una distancia de 2,44 m de las paredes o los rieles, en caso de estar permitido. No la utilice sobre o bajo balcones.
- ▲ Esta parrilla sólo se debe usar con gas propano líquido (PL). La conversión o el uso de gas natural en esta parrilla a gas propano es peligrosa y anulará la garantía.
- ▲ Características del gas PL:
 - a. El gas propano es inflamable y peligroso si se manipula de manera incorrecta. Tenga en cuenta sus características antes de usar cualquier producto que utilice gas propano.
 - b. El gas propano es explosivo bajo presión, más denso que el aire y se deposita y junta en áreas bajas.
 - c. El gas propano en su estado natural no tiene olor. Para su seguridad, se le ha agregado un odorizante que huele como una col en mal estado.
 - d. El contacto con el gas propano puede causar quemaduras por frío en la piel.
- ▲ Sólo se pueden usar tanques marcados como "propano" con este electrodoméstico.
- ▲ El tanque de gas PL debe estar fabricado y marcado según las especificaciones para este tipo de cilindros del Departamento de Transporte de EE.UU. (DOT) o la Ley Nacional de Canadá CAN/CSA-B339, Cilindros, esferas y tubos para el transporte de mercancías peligrosas; y la Comisión.
- ▲ El tanque de gas propano líquido se debe adaptar para la extracción de vapores.
- ▲ Los tanques de gas PL abollados u oxidados pueden ser peligrosos y su proveedor de gas propano debe revisarlos antes de su uso.
- ▲ No debe dejar caer el tanque de gas propano ni manipularlo bruscamente.
- ▲ Los tanques de gas propano líquido se deben almacenar en el exterior, fuera del alcance de los niños, y no deben almacenarse en un edificio, garaje o cualquier otra área cerrada. El tanque nunca se debe almacenar en lugares en que las temperaturas puedan superar los 51,7 °C.
- ▲ No introduzca objetos extraños en la salida de la válvula ni en la válvula de descarga de seguridad, ya que puede dañar la válvula y ocasionar una fuga. Las fugas de propano pueden provocar una explosión, incendio, lesiones personales graves o la muerte.
- ▲ No bloquee los orificios de los lados ni de la parte posterior de la parrilla.
- ▲ No intente conectar esta parrilla al sistema de gas PL autocontenido de un remolque para camping, casa rodante o casa.
- ▲ No almacene un tanque de gas PL de repuesto bajo o cerca de este electrodoméstico.
- ▲ El consumo de alcohol o medicamentos recetados o sin receta puede disminuir la capacidad del consumidor para ensamblar o usar este electrodoméstico de manera segura y correcta.
- ▲ Los malos olores fuertes, resfriados, congestión de los senos paranasales, etc. pueden impedir la detección del propano. Sea cuidadoso y utilice el sentido común cuando realice pruebas para descubrir la presencia de fugas.
- ▲ Nunca utilice carbón, líquido para encendedores, rocas de lava, gasolina, queroseno o alcohol con este producto.
- ▲ Se han buscado fugas en todas las conexiones hechas en la fábrica de la parrilla. Vuelva a revisar todas las conexiones, ya que el movimiento en el transporte puede soltarlas.
- ▲ Revise si hay fugas incluso si otra persona ensambló la unidad para usted.
- ▲ No la use si existe una fuga de gas. Las fugas de gas podrían provocar un incendio o una explosión.
- ▲ Debe seguir todos los procedimientos de búsqueda de fugas antes del uso. Para evitar el riesgo de incendio o explosión al revisar una fuga:
 - a. Siempre lleve a cabo la prueba de fuga antes de encender la parrilla o cada vez que conecte el tanque para usar el aparato.
 - b. No use ni permita que haya otras fuentes de ignición en el área mientras realiza una prueba de fuga. No encienda cigarrillos.
 - c. Realice la prueba de fuga en exteriores, en un área bien ventilada.
 - d. No utilice fósforos, encendedores ni llamas para detectar la existencia de fugas.
 - e. No use la parrilla hasta que haya corregido todas las fugas.

Si no puede detener una fuga, desconecte el suministro de gas PL. Llame a nuestro Servicio al Cliente al 1.800.762.1142, a un técnico de electrodomésticos a gas o a su proveedor local de gas propano.

- ▲ No utilice la unidad en un entorno explosivo. No debe haber materiales combustibles, gasolina ni otros vapores o líquidos inflamables cerca de la parrilla.
- ▲ Mantenga todos los artículos y superficies combustibles a una distancia mínima de 91,44 cm (36") de la parrilla en todo momento. NO use esta parrilla ni ningún otro producto a gas bajo construcciones o cerca de construcciones combustibles sin protección.
- ▲ Es esencial que mantenga limpios el compartimiento de la válvula, los quemadores y los pasajes de circulación de aire de la parrilla. Inspeccione la parrilla antes de cada uso.
- ▲ No use la parrilla a menos que esté COMPLETAMENTE ensamblada y todas las piezas estén ajustadas y apretadas con firmeza.
- ▲ Esta parrilla se debe limpiar e inspeccionar minuciosamente en forma periódica.
- ▲ No altere la parrilla de ninguna manera. Cualquier alteración anulará la garantía.
- ▲ Use sólo el regulador proporcionado. El reemplazo del regulador debe estar especificado por el fabricante.
- ▲ Use solamente piezas autorizadas por la fábrica Blue Rhino Global Sourcing, Inc. El uso de piezas que no estén autorizadas por la fábrica puede ser peligroso. Además, si lo hace anulará la garantía.
- ▲ No intente reparar ni alterar la manguera o el regulador por ningún defecto "asumido". Cualquier modificación de este ensamble anulará la garantía y provocará el riesgo de una fuga de gas e incendio. Use sólo piezas de repuesto autorizadas proporcionadas por el fabricante.
- ▲ No use este electrodoméstico sin antes leer las "Instrucciones de funcionamiento" en este manual.
- ▲ Para evitar quemaduras, no toque las piezas metálicas de la parrilla hasta que se hayan enfriado completamente (espere unos 45 minutos), a menos que utilice artículos de protección (almohadillas, guantes, manoplas para horno, etc.).
- ▲ No la instale ni utilice en botes ni en vehículos recreativos.
- ▲ No use la parrilla en portaequipajes, camionetas, mini furgonetas, vehículos deportivos utilitarios (SUV) ni en vehículos recreativos (RV).
- ▲ Cuando cocine, tenga a la mano materiales para la extinción del fuego. En caso de que se produzca un incendio por el aceite o la grasa, no intente apagarlo con agua. Use un extintor de incendios a base de polvo químico seco tipo BC o apáguelo con tierra, arena o bicarbonato.
- ▲ Coloque las mangueras de gas lo más lejos posible de superficies calientes y de donde pueda caer grasa caliente.
- ▲ No use la parrilla si hay viento fuerte.
- ▲ Nunca se incline sobre la parrilla al encenderla.
- ▲ No deje la parrilla encendida sin supervisión. Mantenga a los niños y las mascotas alejados de la parrilla en todo momento.
- ▲ No intente mover la parrilla mientras la está usando. Deje que la parrilla se enfríe (aproximadamente 45 minutos) antes de moverla o almacenarla.
- ▲ Puede almacenar la parrilla en interiores sólo si desconecta y retira el tanque de la parrilla y lo almacena apropiadamente en exteriores.
- ▲ Usando guantes de protección, abra la tapa de la parrilla lentamente y con cuidado, ya que el calor y el vapor atrapados dentro de la parrilla pueden causar quemaduras graves.
- ▲ No intente desconectar el regulador de gas del tanque ni de ninguna otra conexión de gas mientras use la parrilla.
- ▲ Desconecte el tanque de gas PL cuando no lo esté usando.
- ▲ Siempre use la parrilla sobre una superficie sólida, nivelada y no combustible. Una superficie de asfalto puede no ser apta para este propósito.
- ▲ No la use directamente sobre plataformas de madera.
- ▲ Mantenga todos los cables eléctricos lejos de la parrilla caliente.
- ▲ No utilice la parrilla para la cocción en interiores ni para calefacción. Los gases TÓXICOS pueden acumularse y causar asfixia.
- ▲ Después de un tiempo sin haberla usado o que haya estado almacenada, revise si hay fugas u obstrucciones en los quemadores.
- ▲ Si no abre la tapa mientras enciende el quemador de la parrilla o no espera 5 minutos para que el gas se disipe si la parrilla no enciende, podría causar una llamarada explosiva.
- ▲ Nunca use la parrilla sin instalar el plato calentador.
- ▲ Siempre use un termómetro para carne para asegurarse de que los alimentos se estén cocinando a una temperatura segura.
- ▲ Use guantes de protección cuando ensamble este producto.
- ▲ No una las piezas a la fuerza ya que podría provocar heridas personales o daños al producto.
- ▲ Nunca cubra completamente el área de cocción con papel de aluminio.
- ▲ Si no sigue la instrucción anterior al pie de la letra, podría ocasionar lesiones graves, muerte o daños materiales.

Póngase en contacto con el 1-800-762-1142 para obtener ayuda. No devuelva este producto al lugar donde lo compró. Para obtener excelentes recetas y consejos, visite recipes.uniflame.com

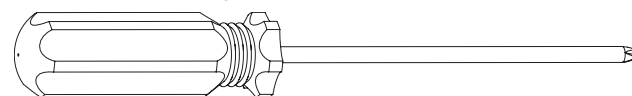
Lista de piezas		Vista despiezada	
1	Manija de la tapa	55-10-366	
2	Indicador de temperatura	55-10-367	
3	Tapa	55-10-368	
4	Rejilla para calentar	55-10-369	
5	Rejilla de cocción izquierda	55-10-370	
6	Rejilla de cocción derecha	55-10-371	
7	Bisagra superior (2)	55-10-372	
8	Bisagra inferior (2)	55-14-653	
9	Plato calentador	55-09-329	
10	Manija izquierda	55-10-373	
11	Fuente inferior	55-10-374	
12	Soporte del plato calentador (2)	55-09-330	
13	Seguro (2)*	55-10-375	
14	Manija derecha	55-10-376	
15	Bandeja de recolección de grasa	55-09-181	
16	Quemador	55-10-377	
17	Cable del encendedor/ Electrodo*	55-10-378	
18	Soporte de la bandeja de recolección de grasa (2)	55-10-424	
19	Protección contra viento	55-10-379	
20	Regulador/Perilla de control	55-15-248	
21	Placa reflectora de calor	55-10-425	
22	Pata posterior	55-10-380	
23	Pata frontal	55-10-381	

* Préassemblé

Aditamentos			
A	Tornillo	Tornillo Phillips de cabeza segmentada recubierto en zinc M3x7	4 pzas.
B	Tornillo	Tornillo Phillips de cabeza segmentada recubierto en zinc M5x12	10 pzas.
C	Tornillo	Tornillo Phillips de cabeza segmentada recubierto en zinc M6x8	1 pza.
D	Tornillo	Tornillo Phillips de cabeza segmentada recubierto en zinc M6x16	4 pzas.
E	Tuerca mariposa	M3 Recubierto en zinc	4 pzas.
F	Tuerca mariposa	M5 Recubierto en zinc	10 pzas.
G	Tuerca mariposa	M6 Recubierto en zinc	6 pzas.
H	Arandela	ø3.5 Recubierto en zinc	4 pzas.
I	Arandela	ø5 Recubierto en zinc	10 pzas.
J	Arandela	ø6 Recubierto en zinc	11 pzas.
K	Arandela	ø6 Resistente al calor	8 pzas.
L	Arandela de seguridad	ø3.5 Recubierto en zinc	4 pzas.
M	Arandela de seguridad	ø5 Recubierto en zinc	10 pzas.
N	Arandela de seguridad	ø6 Recubierto en zinc	11 pzas.
O	Pasador	ø5 x 30	2 pzas.
P	Pasador de chaveta	ø1,4 x 30	2 pzas.

Herramientas necesarias para el ensamblaje (no incluidas):

Destornillador Phillips #2 1 pza.



Instrucciones de ensamblaje

1 NO DEVUELVA ESTE PRODUCTO A LA TIENDA.

Para obtener ayuda, llame gratis al **1-800-762-1142**. Tenga a mano el manual de usuario y el número de serie para referencias.

Para un ensamblaje más fácil:

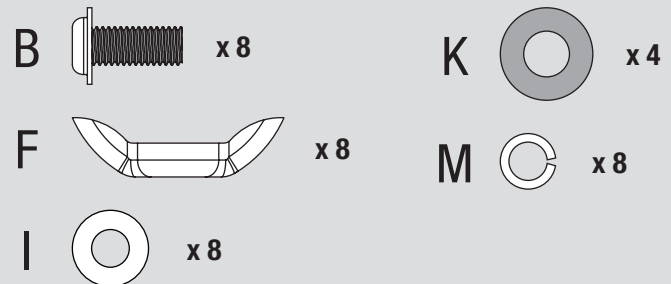
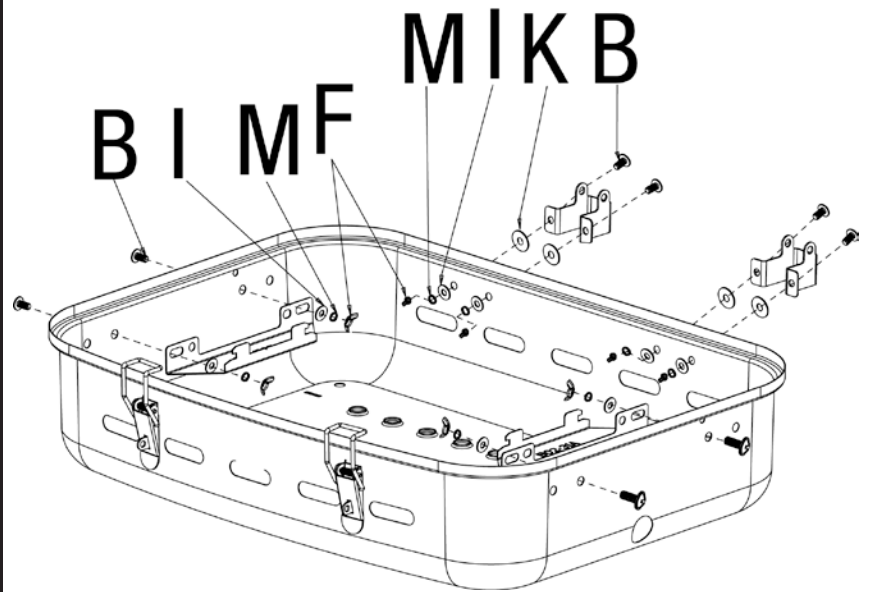
- Para evitar perder algún componente o aditamento pequeño, ensamble su producto en una superficie dura y nivelada que no tenga grietas o aberturas.
- Limpie un área del tamaño adecuado para disponer todos los componentes y aditamentos.
- Si corresponde, primero apriete a mano todas las conexiones de los aditamentos. Cuando haya completado este paso, vuelva al principio y apriete todos los aditamentos firme y completamente.
- Siga todos los pasos para ensamblar adecuadamente su producto.

Para completar el ensamblaje, necesitará:

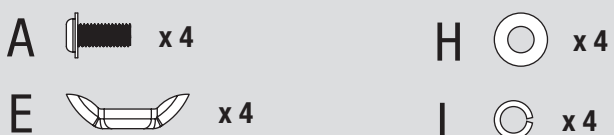
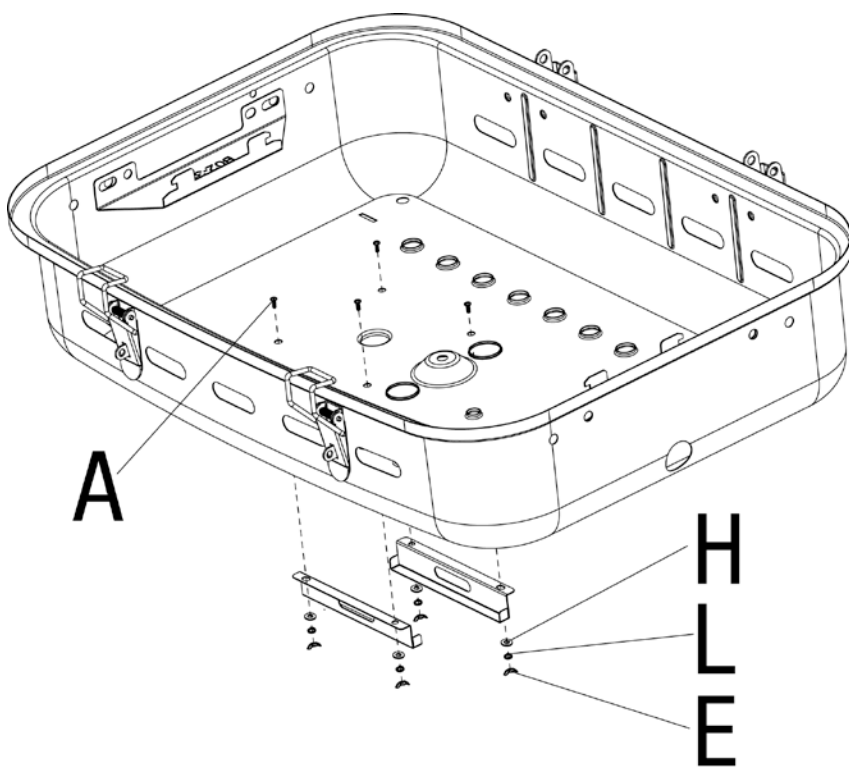
- (1) Solución para detección de fugas (las instrucciones acerca de cómo elaborar la solución están incluidas en la sección "Instrucciones de funcionamiento").
- (1) tanque de gas propano de 0,40 kg ó (1) de 0,46 kg.

Ensamblaje normal: Aproximadamente 30 minutos.

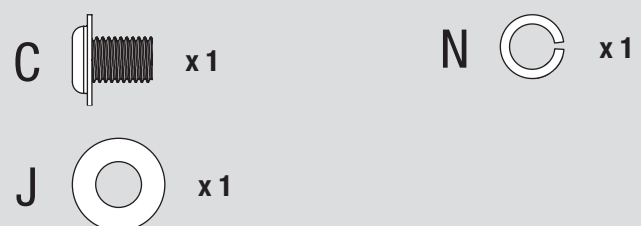
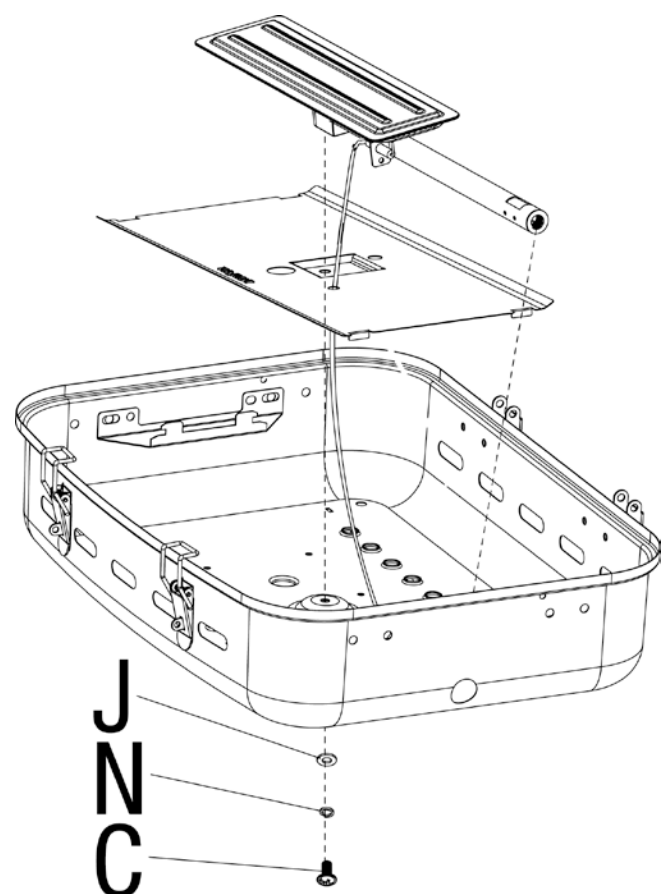
2 Instale los soportes del plato calentador y las bisagras inferiores



3 Instale los soportes de la bandeja de recolección de grasa



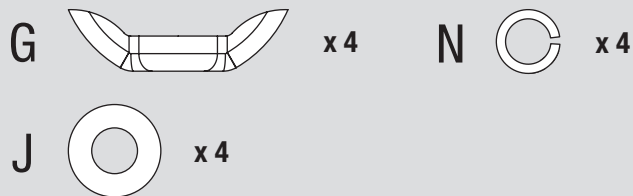
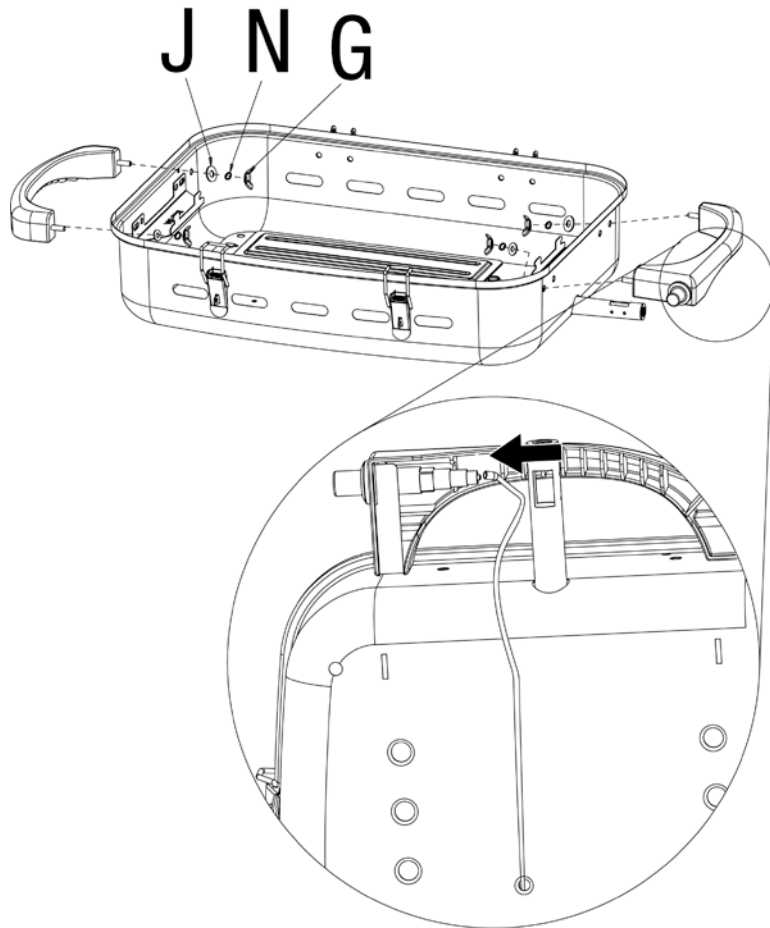
4 Instale la placa reflectora de calor, el cable del quemador e inserte el cable del encendedor



Póngase en contacto con el 1-800-762-1142 para obtener ayuda. No devuelva este producto al lugar donde lo compró. Para obtener excelentes recetas y consejos, visite recipes.uniflame.com

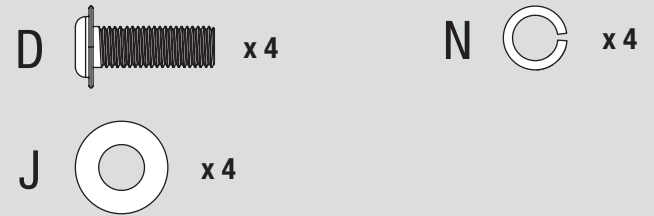
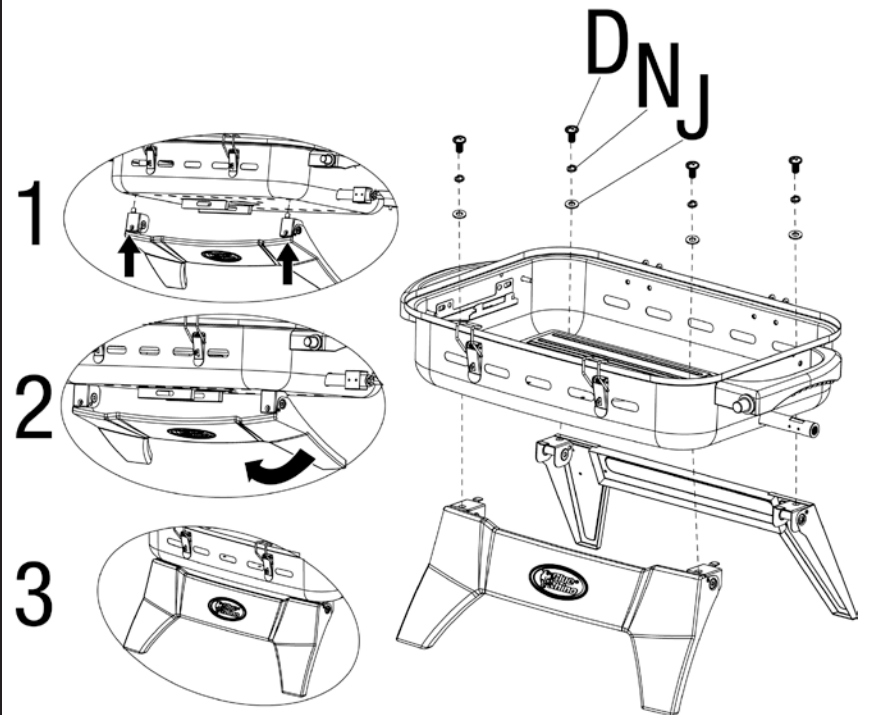
5

Instale la manija lateral izquierda y derecha y el cable del encendedor



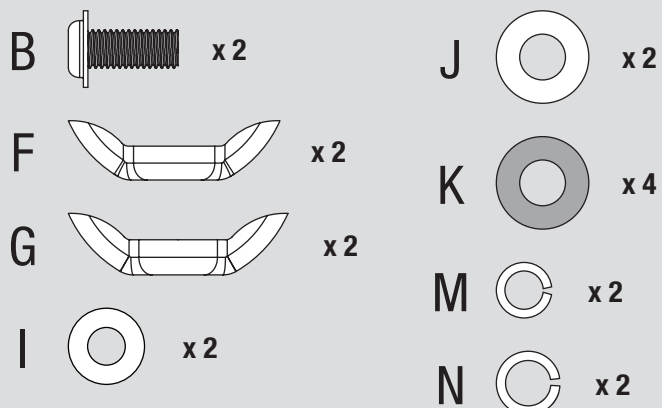
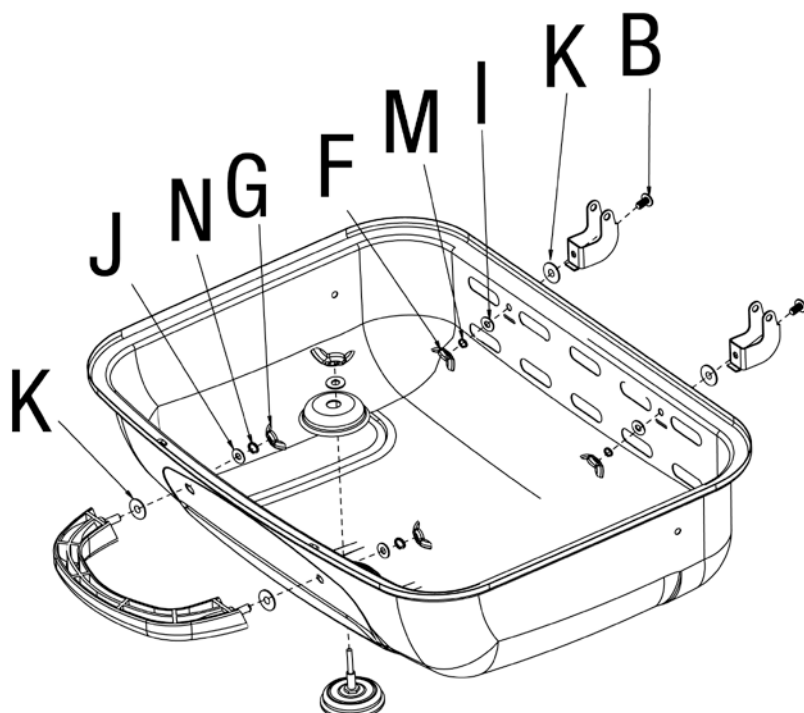
6

Coloque las patas



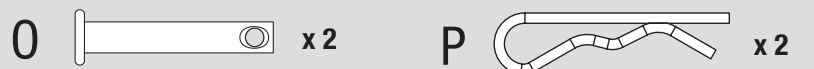
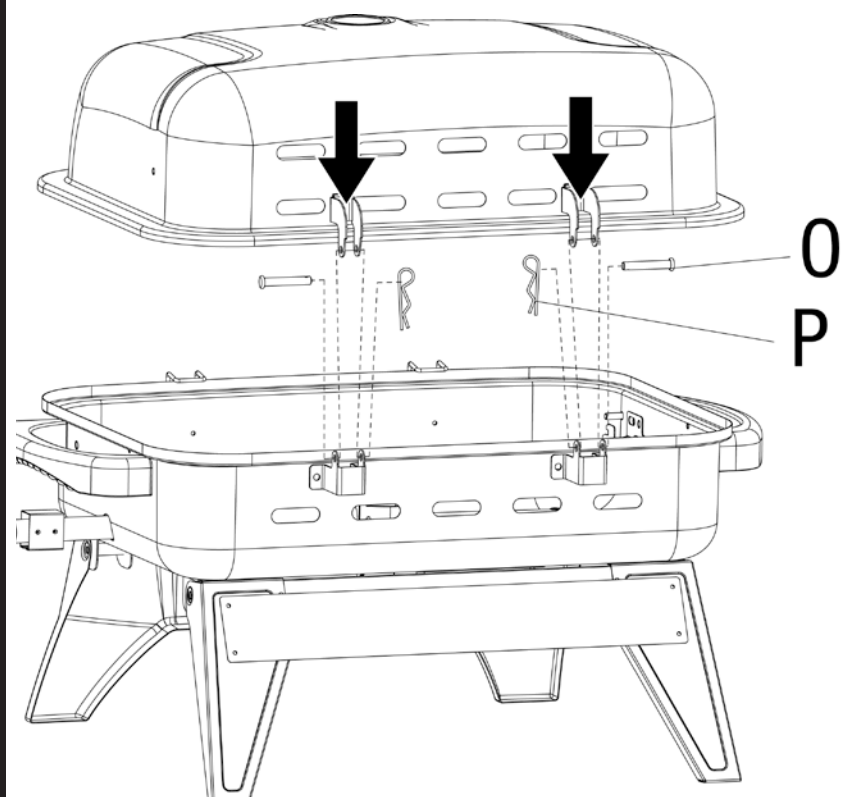
7

Instale el indicador de temperatura, la manija de la tapa y las bisagras superiores



8

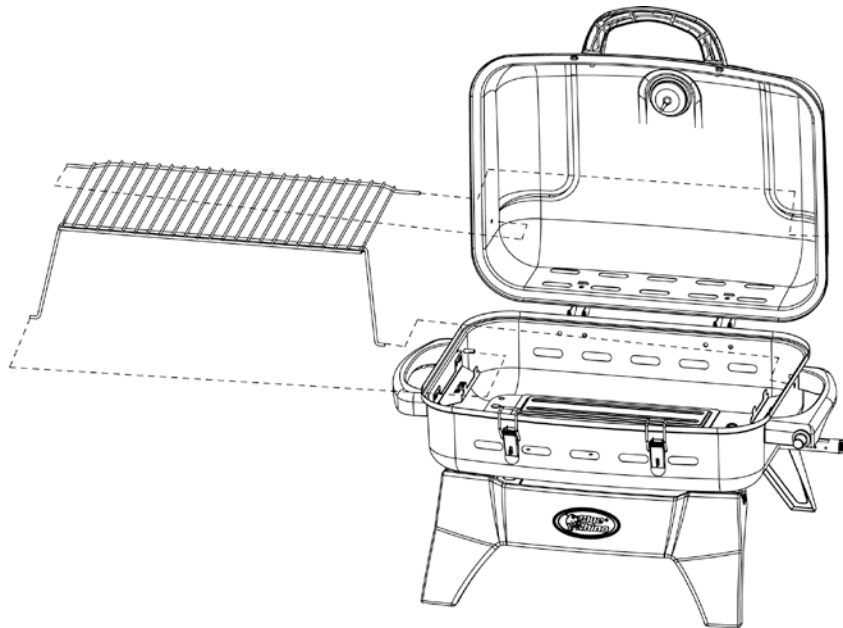
Coloque la tapa



Instrucciones de ensamblaje (continuación)

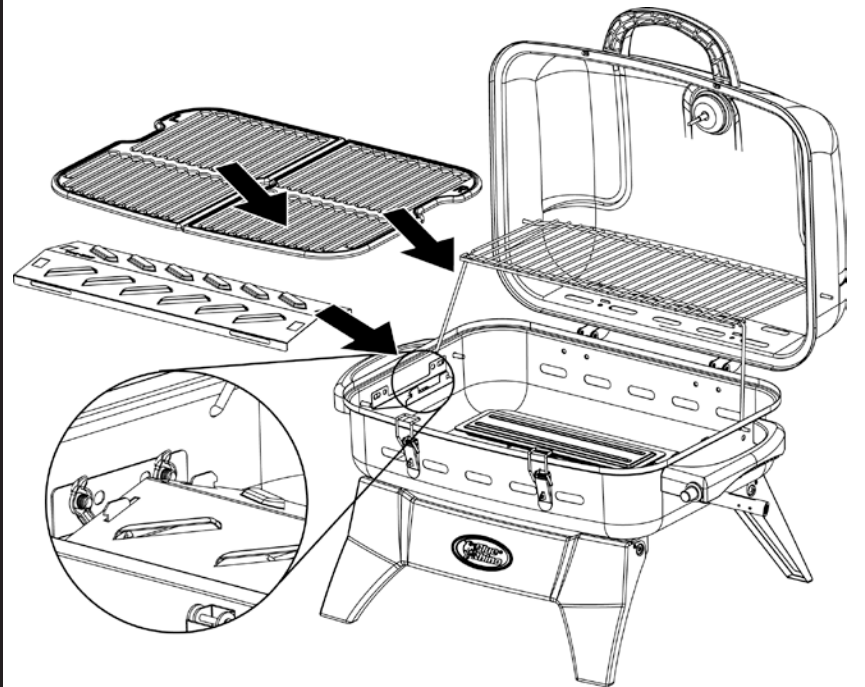
9

Inserte la rejilla para calentar



10

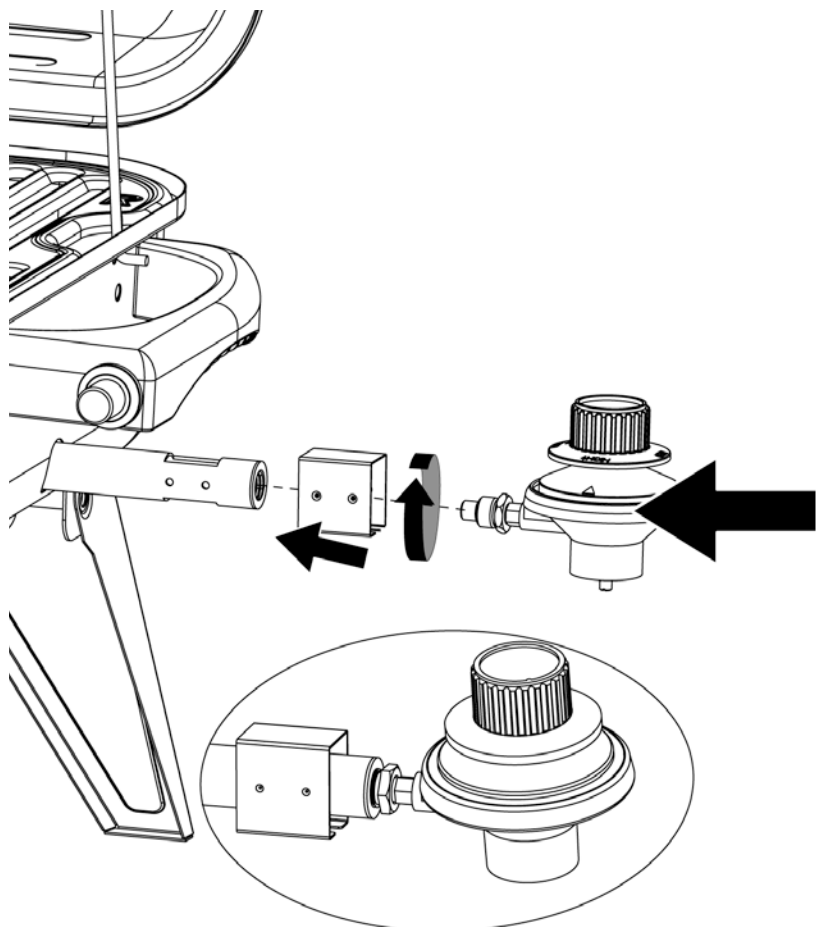
Inserte el plato calentador y la rejilla de cocción



11

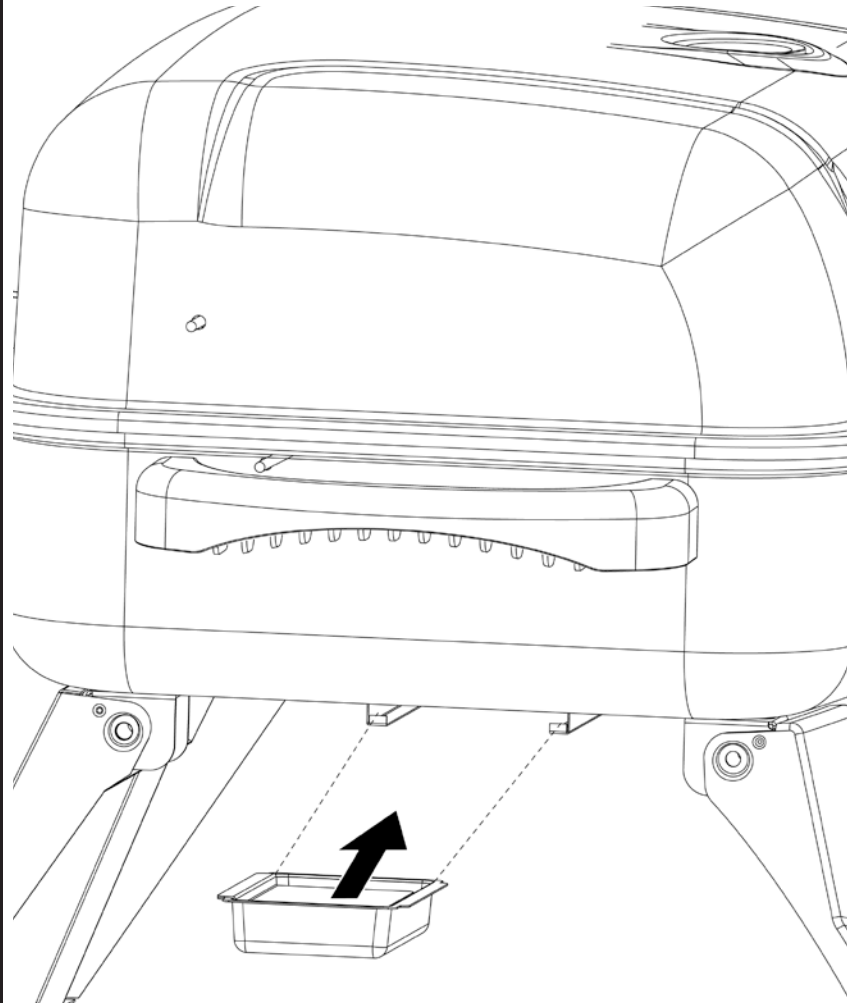
Instale la protección contra viento y el regulador/ válvula de control

Nota: Una vez instalado, el regulador/perilla de control girará con facilidad para acomodarse en el tanque de gas propano.



12

Inserte la bandeja de recolección de grasa



Póngase en contacto con el 1-800-762-1142 para obtener ayuda. No devuelva este producto al lugar donde lo compró. Para obtener excelentes recetas y consejos, visite recipes.uniflame.com

Instrucciones de funcionamiento

Esta parrilla está diseñada para usarse con un tanque de gas propano 0,45 kg de 19,69 ó 26,92 cm de alto, desechable, de 0,46 kg ó 0,40 kg (cilindro DOT 39). (Figura 1)

NO INTENTE LLENAR TANQUES DE PROPANO DE 0,45 KG (0,46 kg ó 0,40 kg).

Conecte el tanque de gas PL

Sólo se pueden usar cilindros marcados como "propano".

Nota: Algunos cilindros de 0,45 kg pueden formar escarcha cuando están casi vacíos.

1. Asegúrese de que el regulador/perilla de control esté en la posición de apagado y bloqueo ("LOCK/OFF"). (Figura 2)
2. Lubrique las roscas del regulador/perilla de control con vaselina. Alinee las roscas del tanque de gas propano con el regulador/perilla de control.
3. Inserte y gire el tanque de gas propano en dirección de las manecillas del reloj hasta que encajen bien. APRIETE A MANO SOLAMENTE. Tenga cuidado de no cruzar las roscas cuando las atornille en el recipiente. (Figura 3a)
4. Verifique que no haya fugas, consulte la sección "Búsqueda de fugas".

Desconecte el tanque de gas PL

1. Gire el regulador/perilla de control hasta la posición "LOCK/OFF". (Figura 2)
2. Gire el tanque de gas propano en dirección contraria a las manecillas del reloj hasta que se suelte. (Figura 3b)
3. Almacene el tanque de gas propano en un lugar adecuado.

Conexión del quemador

Asegúrese de que el regulador/perilla de control esté ajustado firmemente al quemador. (Figura 4)

Nota: Una vez apretada la tuerca de latón, se debe apretar entre 1/4 y 1/2 vuelta más. El regulador se debe girar 360° incluso si la tuerca de latón está apretada.

Si otra persona ensambló la unidad, revise visualmente las conexiones entre el quemador y la válvula de control.

Si tiene preguntas, póngase en contacto con el 1.800.762.1142 para obtener ayuda.

⚠ ADVERTENCIA: Si no inspecciona esta conexión o no sigue estas instrucciones, podría provocar un incendio o una explosión, los que pueden causar la muerte, lesiones personales graves o daños a la propiedad.

Búsqueda de fugas

1. Prepare entre 59,15 y 88,92 ml de solución para fugas mezclando una parte de detergente líquido para platos con tres partes de agua.
2. Asegúrese de que el regulador/perilla de control esté en la posición "LOCK/OFF". (Figura 2)
3. Vierta varias gotas de la solución con una cuchara o use una botella de exprimir sobre los lugares marcados con una "X". (Figura 4 y 5)
4. Revise si se forman burbujas en el área de las conexiones.
 - a. Si NO se forman burbujas después de un minuto, las conexiones son seguras. Limpie la solución y proceda.
 - b. Si aparecen burbujas, significa que hay una fuga.
 1. Retire el tanque de gas propano y vuelva a conectarlo, asegurándose de que la conexión esté segura.
 2. Vuelva a probar con la solución. Si continúa viendo burbujas después de varios intentos, desconecte el tanque de gas propano y póngase en contacto con el 1.800.762.1142 para obtener ayuda.

Figura 1

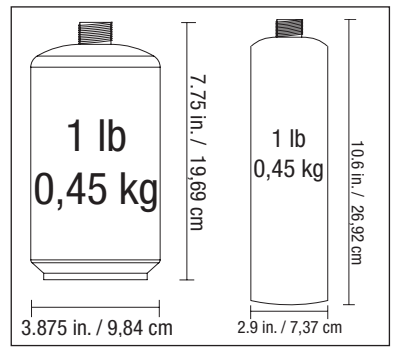


Figura 2

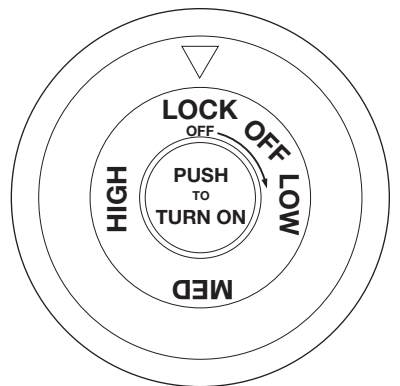


Figura 3a

Figura 3b

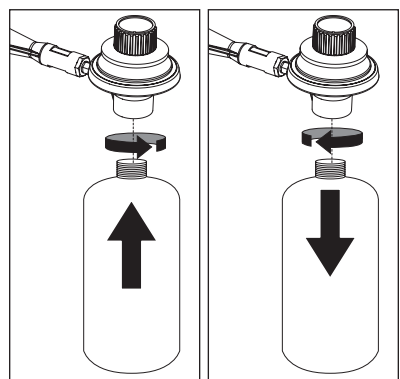


Figura 4

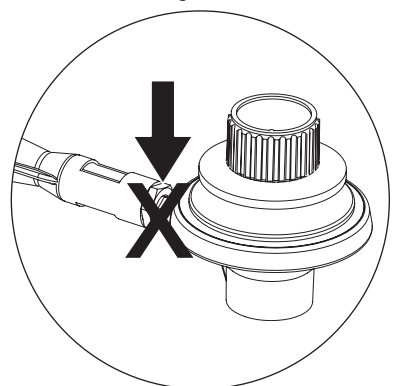


Figura 5

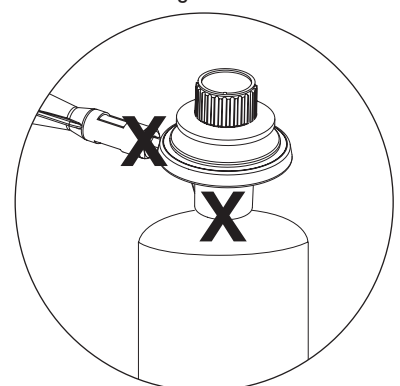
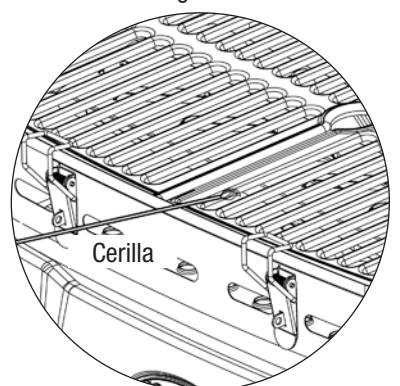
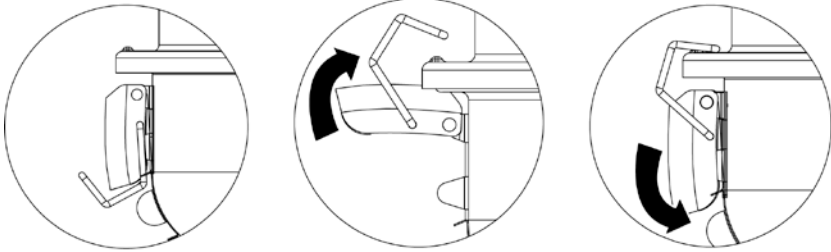


Figura 6

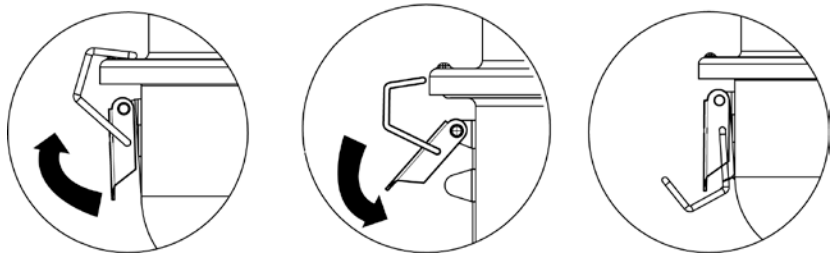


13

Bloquee la tapa



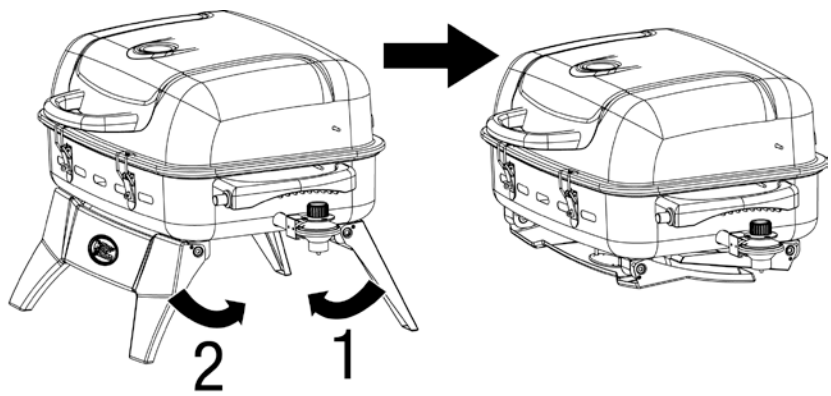
Desbloquee la tapa



14

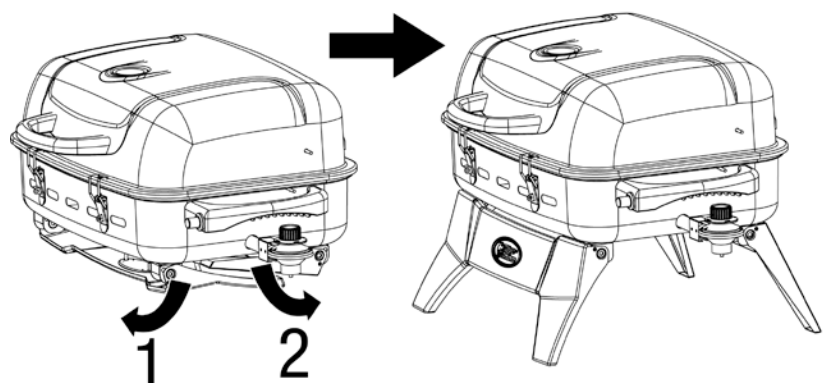
Pliegue las patas

Nota: Cierre siempre la tapa antes de doblar las patas.



Despliegue las patas

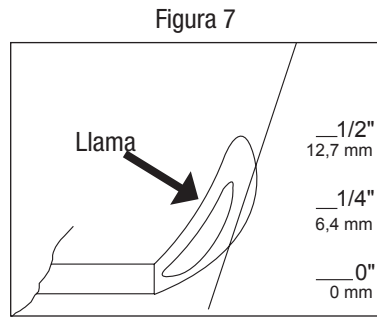
Nota: Abra siempre las patas completamente y verifique que han quedado aseguradas en su lugar antes de encender la unidad.



Instrucciones de funcionamiento (continuación)

Primer uso

1. Asegúrese de que se hayan retirado todas las etiquetas, láminas protectoras y de embalaje de la parrilla.
2. Antes de cocinar por primera vez en esta parrilla, manténgala encendida durante al menos 15 minutos en la posición "HIGH" (alto), con la tapa cerrada para eliminar los aceites de fabricación. El calor generado limpiará las piezas internas y disipará los olores.



Iluminación

- ▲ **Precaución: No debe haber materiales combustibles, gasolina ni otros vapores o líquidos inflamables cerca de la zona donde está el electrodoméstico para cocción a gas para exteriores.**
 - ▲ **Precaución: No obstruya el flujo del aire de combustión ni de ventilación.**
 - ▲ **Precaución: Revise que no haya nidos de insectos ni insectos en el quemador o en los tubos venturi. En caso de haberlos, límpielos. Un tubo obstruido puede ocasionar un incendio debajo de la parrilla.**
 - ▲ **Precaución: Intentar encender el quemador con la tapa cerrada puede causar una explosión.**
1. Asegúrese de que se hayan retirado todas las etiquetas, láminas protectoras y de embalaje de la parrilla.
 2. Abra la tapa.
 3. Asegúrese de que no haya obstrucciones en el flujo de aire a la unidad de gas. Arañas e insectos pueden anidar y obstruir el quemador/tubo venturi en el orificio.
 4. El regulador/perilla de control debe estar en la posición "LOCK OFF". (Figura 2)
 5. Gire el regulador/perilla de control a la posición "HIGH".
 6. Presione el botón del encendedor repetidamente para encender el quemador.
 7. Si el quemador no se enciende después de 5 segundos, gire la perilla de control del quemador a la posición "LOCK/OFF", espere 5 minutos y repita el procedimiento de encendido.
 8. Si el encendedor no enciende el quemador, use un fósforo encendido para encender en forma manual el quemador.
 - a. Gire el regulador/la válvula de control a la posición "LOW".
 - b. Coloque el fósforo encendido cerca del quemador.

Nota: Acceda al quemador a través del orificio de la fuente inferior, como se indica. (Figura 6)
 9. Luego del encendido, observe la llama de los quemadores. Asegúrese de que todos los puertos de los quemadores estén encendidos y que la altura de la llama coincida con la que se muestra en la ilustración. (Figura 7)
- ▲ **Precaución: Si la llama se apaga durante el funcionamiento, apague el regulador/perilla de control inmediatamente y abra la tapa para que el gas se disipe y espere unos 5 minutos antes de volver a encenderla.**

Apagado:

1. Gire el regulador/perilla de control hasta la posición "LOCK/OFF". (Figura 2)
2. Retire el tanque de gas propano líquido y almacene el tanque adecuadamente.

Cocción

1. Abra la tapa y encienda el quemador siguiendo las "Instrucciones de encendido".
2. Cierre la tapa y caliente previamente la parrilla en la posición "HIGH".
3. Ajuste los controles a la temperatura deseada.
4. Con la ayuda de guantes de protección y tenazas largas, levante la tapa de la(s) manija(s) y coloque los alimentos en las rejillas de cocción sobre los quemadores encendidos.
5. Con la tapa abierta o cerrada, cocine hasta que los alimentos alcancen la temperatura interna deseada.
6. Apague la parrilla girando el regulador/perilla de control a la posición "LOCK/OFF". Retire el tanque de gas propano líquido y almacene el tanque adecuadamente.

Control de las llamaradas

- ▲ **Precaución: No es posible apagar incendios provocados por grasa con sólo cerrar la tapa.**
 - No use agua sobre un incendio provocado por grasa. Esto puede hacer que la grasa salpique pudiendo ocasionar quemaduras, lesiones corporales u otros daños graves. Si se produce un incendio provocado por grasa, gire el regulador/perilla de control a la posición "OFF".
 - No deje la parrilla sin supervisión mientras la precalienta o quema residuos de alimentos en la posición "HIGH". Podría ocurrir un incendio provocado por grasa pudiendo dañar el producto si la parrilla no se ha limpiado con regularidad.

- ▲ **ADVERTENCIA: Cuando cocine, tenga a la mano materiales para la extinción del fuego. En caso de que se produzca un incendio por el aceite o la grasa, no intente apagarlo con agua. Use un extintor de incendios a base de polvo químico seco tipo BC o apáguelo con tierra, arena o bicarbonato.**

Control de las llamaradas:

Las llamaradas son parte de la cocción de carnes en una parrilla y aderezos del sabor único que da asar un alimento. **El exceso de llamaradas puede recocer los alimentos y ocasionar una situación peligrosa para usted y su parrilla.**

Importante: El exceso de llamaradas es el resultado de la acumulación de grasa en la parte inferior de la parrilla.

Si se producen llamaradas en exceso, **NO** vierta agua a las llamas.

Si se produce un incendio por grasa, cierre la tapa Y gire el regulador/perilla de control a la posición "OFF" hasta que la grasa se quemé completamente. Tenga cuidado al abrir la tapa, puesto que puede haber llamaradas repentinas.

Consejos para obtener una mejor cocción y ampliar la vida útil de la parrilla

1. Para obtener excelentes recetas y consejos, visite recipes.uniflame.com
 2. Para obtener consejos sobre seguridad de los alimentos, visite: http://www.fsis.usda.gov/Fact_Sheets/Barbecue_Food_Safety/
 3. Use la rejilla de cocción superior (rejilla para calentar) para mantener calientes los alimentos cocinados, para tostar panes o para cocinar alimentos delicados en envoltorios de papel de aluminio.
 4. Utilice el quemador lateral de este electrodoméstico como un horno de cocina normal para hervir, saltear o freír.
 5. Para evitar que los alimentos se peguen a las rejillas, rocíe o aplique aceite para cocinar antes de encender la parrilla.
 6. Para reducir las llamaradas, mantenga la parrilla limpia, use cortes de carne magra (o quite la grasa) y evite cocinar a temperaturas muy altas.
 7. Coloque los alimentos delicados, como pescados y verduras, envueltos en papel de aluminio y cocínelos indirectamente o sobre la rejilla para calentar.
- ▲ **ADVERTENCIA: Nunca cubra completamente el área de cocción con papel de aluminio.**
8. Para no perder los jugos naturales, use tenazas largas o espátulas en vez de tenedores y volteé los alimentos sólo una vez durante la cocción.
 9. Cuando utilice el método de cocción directa, ajuste los quemadores en niveles diferentes de manera que los alimentos se puedan preparar a diferentes temperaturas internas en el mismo período de tiempo.
 10. Cuando cocine de manera indirecta trozos grandes de asado y cortes gruesos de carne, colóquelos sobre una rejilla tostadora dentro de una bandeja de metal de amplio diámetro. Coloque la bandeja sobre los quemadores que no estén encendidos.
 11. Los sartenes con agua pueden ser útiles para reducir las llamaradas y cocinar las carnes más jugosas. Antes de encender la parrilla, retire las rejillas para cocción y coloque una sartén baja para trabajo pesado directamente sobre los platos calentadores. Liénela hasta la mitad con agua, jugos de frutas u otros líquidos con sabor. Reemplace las rejillas para cocción y coloque los alimentos sobre la sartén.
 12. Acentúe el sabor de los alimentos usando astillas de madera en ahumadores o en envoltorios de papel de aluminio. Siga las instrucciones del fabricante de las astillas de madera.
 13. Los rostizadores, las cestas para parrilla, los asadores de pollo verticales y otros accesorios pueden mejorar las experiencias, reducir los tiempos de cocción y ayudar en la limpieza.
 14. Limpie las rejillas de cocción después de cada uso, con un cepillo para parrillas de buena calidad diseñado para el material de su parrilla. Use guantes de protección y elimine las grasas acumuladas mientras las rejillas todavía estén calientes.
 15. Deje que la parrilla se enfríe después de cada uso. Luego, proteja las rejillas para cocción limpias con una capa delgada de aceite para cocinar, vacíe el recipiente de recolección de grasa, limpie la superficie exterior con un limpiador de cocina apropiado y proteja las superficies con una cubierta de buena calidad que se ajuste bien a su parrilla.
 16. Vea programas de televisión acerca de barbacoas o compre libros de cocina de barbacoas para aprender consejos más interesantes, como:

Una parrilla a gas es ideal para recalentar las sobras de pizza. Fije los quemadores en bajo y coloque los trozos de pizza directamente en la rejilla de cocción precalentada. Cierre la tapa y cocine hasta que el queso comience a hacer burbujas.

Póngase en contacto con el 1-800-762-1142 para obtener ayuda. No devuelva este producto al lugar donde lo compró. Para obtener excelentes recetas y consejos, visite recipes.uniflame.com

Limpieza y cuidado

⚠ Precaución:

- 1. La limpieza y el mantenimiento deben realizarse cuando la parrilla esté completamente fría (luego de unos 45 minutos) y con el tanque de gas propano desconectado.**
- 2. NO limpie ninguna pieza de la parrilla en un horno con autolimpieza. El calor extremo daña el acabado.**

Avisos

1. Los limpiadores abrasivos dañan este producto.
2. Nunca use limpiador de hornos para limpiar ninguna pieza de esta parrilla.
3. NO limpie ninguna pieza de la parrilla en un horno con autolimpieza. El calor extremo daña el acabado.

Limpieza de superficies

1. Limpie las superficies con detergente para platos suave o bicarbonato de sodio.
2. Para las superficies difíciles, use un desengrasante cítrico y una escobilla de nailon.
3. Limpie y enjuague con agua.

Limpieza del quemador

1. Gire el regulador/perilla de control a la posición "LOCK/OFF" y retire el tanque de gas propano. Espere a que la parrilla se enfríe completamente (unos 45 minutos).
2. Retire el regulador/perilla de control y la protección contra viento.
3. Retire las rejillas de cocción y el plato calentador.
4. Desconecte el cable del encendedor, si corresponde.
5. Retire el quemador.
6. Retire todos los residuos de alimentos y suciedad en la superficie del quemador.
7. Limpie el tubo de entrada del quemador con una botella pequeña, cepillo o aire comprimido.
8. Limpie los puertos obstruidos con un alambre rígido (como un sujetapapeles abierto)
9. Revise si hay daños en el quemador (grietas u orificios). Si el quemador está dañado, reemplácelo por uno nuevo.
10. Vuelva a instalar el quemador. Vuelva a conectar el encendedor (si corresponde), la protección contra viento y el regulador/perilla de control.
11. Vuelva a colocar el plato calentador y la rejilla de cocción.
12. Realice una prueba de fuga.

Antes de almacenar

1. Gire el regulador/perilla de control a la posición "LOCK/OFF" y retire el tanque de gas propano.
2. Limpie todas las superficies.
3. Cubra los quemadores con una capa delgada de aceite para cocinar para evitar el exceso de óxido.
4. Si almacena la parrilla en el interior, desconecte el tanque de gas propano, consulte la sección "Desconecte el tanque de gas PL" y deje el tanque en el EXTERIOR.
5. Coloque la cubierta protectora en el tanque de gas propano y almacénelo en el exterior, en un área bien ventilada, lejos de la luz solar directa.
6. Si almacena la parrilla en el exterior, cúbrala con una cubierta para parrilla para protegerla del clima.

Registro del producto

Para obtener un servicio de garantía más rápido, registre su producto ahora en www.bluerhino.com o llame al 1.800.762.1142.

Garantía limitada

Blue Rhino Global Sourcing, Inc ("el proveedor") garantiza al comprador minorista original de este producto, y a ninguna otra persona, que si este producto se ensambla y se usa de acuerdo con las instrucciones impresas incluidas, ninguna de las piezas del producto presentará defectos de fabricación en el material ni en la mano de obra durante un (1) año desde la fecha de compra. El proveedor podría exigir un comprobante razonable de la fecha de su compra. Por ello, usted deberá conservar su recibo o factura de la venta. Esta Garantía limitada se limitará al reemplazo o reparación de piezas que presenten fallas bajo un uso y servicio normales y que el Proveedor determine en su propia opinión que presentan fallas después de examinarlas. Antes de devolver cualquier pieza, debe ponerse en contacto con el Departamento de Servicio al Cliente del Proveedor, mediante la información de contacto que se presenta más abajo. Si el Proveedor después de examinar la pieza devuelta confirma que existe una falla que está cubierta por esta Garantía Limitada, y si el Proveedor aprueba el reclamo, esa pieza se reemplazará sin ningún costo para el cliente. Al devolver piezas defectuosas usted deberá prepagar los cargos de transporte. El Proveedor devolverá las piezas de repuesto al comprador minorista original con flete o franqueo prepagado.

Esta garantía limitada no cubre fallas o dificultades en la operación debido a accidentes, mal uso, abuso, alteraciones, aplicación inadecuada o instalación o mantenimiento inadecuados o reparados por usted o por un tercero, o por no efectuar mantenimiento normal o rutinario del producto como se señala en este manual del propietario. Además, la Garantía limitada no cubre daños al acabado, tales como rayones, hendiduras, oxidación, decoloración u otros daños producidos por el clima después de la compra.

Esta Garantía Limitada reemplaza a todas las demás garantías explícitas. El proveedor rechaza todas las demás garantías por productos que se adquieran de vendedores distintos a las tiendas minoristas o distribuidores autorizados, incluida la garantía de comerciabilidad o la garantía de idoneidad para un fin en particular. EL PROVEEDOR TAMBIÉN RECHAZA TODAS LAS DEMÁS GARANTÍAS IMPLÍCITAS, LO QUE INCLUYE SIN LIMITACIÓN A TODAS LAS GARANTÍAS IMPLÍCITAS DE COMERCIABILIDAD E IDONEIDAD PARA UN FIN EN PARTICULAR. EL PROVEEDOR NO SERÁ RESPONSABLE LEGAL ANTE EL COMPRADOR NI ANTE NINGÚN TERCERO POR NINGÚN DAÑO ESPECIAL, PUNITIVO, INDIRECTO, O RESULTANTE. El proveedor también rechaza cualquier garantía explícita o implícita por las fallas en la fabricación causada por terceros y tampoco asume responsabilidad alguna por ellas.

Esta Garantía Limitada le otorga derechos legales específicos al comprador, el que podría tener también otros derechos dependiendo de dónde viva. Algunas jurisdicciones no permiten la exclusión o limitación de daños especiales, incidentales o resultantes, ni permiten limitaciones en cuanto a la duración de una garantía, de modo que es posible que las limitaciones y exclusiones anteriores no se apliquen a todas las personas.

El proveedor no autoriza a ninguna persona o compañía a asumir en su nombre ninguna otra obligación o responsabilidad en relación con la venta, instalación, uso, retiro, devolución o reemplazo de sus equipos y ninguna de esas representaciones obliga al Proveedor.

Blue Rhino Global Sourcing, Inc
Winston-Salem, North Carolina USA
(800) 762-1142

Solución de problemas

Problema	Causa posible	Prevención/solución
El quemador no se enciende con el encendedor (en caso de incluirse)	El tanque de gas propano tiene poco gas o está vacío	Reemplace el tanque de gas PL
	Hay una fuga de gas propano	Siga las instrucciones del manual del propietario sobre "Búsqueda de fugas"
	Los cables o el electrodo están cubiertos con residuos de alimentos	Limpie los cables y/o el electrodo con alcohol para fricciones
	El electrodo y los quemadores están mojados	Seque con un paño
	El electrodo está agrietado o roto: hay chispas en las grietas	Reemplace el electrodo, llame a nuestro Servicio al Cliente al 1.800.762.1142
	El cable está suelto o desconectado	Vuelva a conectar el cable o reemplace el ensamble del electrodo/cable, llame a nuestro Servicio al Cliente al 1.800.762.1142
	El cable está haciendo un cortocircuito (chispas) entre el encendedor y el electrodo	Reemplace el ensamble del cable del encendedor/electrodo, llame a nuestro Servicio al Cliente al 1.800.762.1142
	El encendedor está malo	Reemplace el encendedor, llame a nuestro Servicio al Cliente al 1.800.762.1142
El quemador no se enciende al utilizar un fósforo	No hay flujo de gas	Revise si el tanque de gas propano está vacío A. Si está vacío, reemplácelo B. Si el tanque de gas propano no está vacío, consulte "Disminución repentina del flujo de gas o menor altura de la llama"
	El tanque de gas propano tiene poco gas o está vacío	Reemplace el tanque de gas PL
	Hay una fuga de gas propano	Siga las instrucciones del manual del propietario sobre "Búsqueda de fugas"
	La tuerca de acoplamiento y el regulador no están completamente conectados	Gire la tuerca de acoplamiento entre media y tres cuartos de vuelta adicional aproximadamente hasta que se detenga. Apriétela sólo con la mano; no use herramientas.
	Hay una obstrucción del flujo de gas	Siga las instrucciones de limpieza para limpiar los tubos del quemador en www.bluerhino.com
	Hay telas de araña o nidos de insectos en el tubo venturi	Siga las instrucciones de limpieza para limpiar los tubos del quemador y el tubo venturi en www.bluerhino.com
	Los puertos de los quemadores están obstruidos o bloqueados	Siga las instrucciones de limpieza para limpiar los puertos de los quemadores en www.bluerhino.com
Disminución repentina del flujo de gas o menor altura de la llama	Se agotó el gas	Reemplace el tanque de gas PL
	Se activó la válvula de exceso de flujo; el dispositivo de seguridad puede haberse activado	1. Gire el regulador/perilla de control a la posición "LOCK/OFF" 2. Espere de 30 segundos y encienda la parrilla 3. Si las llamas siguen demasiado bajas, restablezca la válvula de seguridad de exceso de flujo: a. Gire el regulador/perilla de control a la posición "OFF" b. Retire el tanque de gas PL c. Espere 1 minuto d. Instale el tanque de gas PL e. Realice una búsqueda de fugas de acuerdo con las instrucciones del manual del propietario sobre "Búsqueda de fugas" f. Encienda la parrilla de acuerdo con las "Instrucciones de encendido" del manual del propietario
Patrón de llama irregular; la llama no cubre la longitud completa del quemador	Los puertos de los quemadores están obstruidos o bloqueados	Siga las instrucciones de limpieza para limpiar los puertos de los quemadores en www.bluerhino.com
La llama es amarilla o naranja	Un nuevo quemador puede tener aceites residuales de la fabricación	Caliente la parrilla durante 15 minutos con la tapa cerrada en la posición "HIGH".
	Hay telas de araña o nidos de insectos en el tubo venturi	Siga las instrucciones de limpieza para limpiar los tubos venturi en www.bluerhino.com
	Hay residuos de alimentos, grasa, etc.	Siga las instrucciones de limpieza para limpiar el quemador en www.bluerhino.com
	La alineación de la válvula y el tubo venturi del quemador es deficiente	Asegúrese de que el tubo venturi del quemador esté conectado correctamente a la válvula
La llama se apaga	Hay viento fuerte o ráfagas de viento	No use la parrilla si hay viento fuerte
	No hay suficiente gas propano en el tanque	Reemplace el tanque de gas PL
	Se activó la válvula de exceso de flujo; el dispositivo de seguridad puede haberse activado	Consulte "Disminución repentina del flujo de gas o menor altura de la llama"
Se producen llamaradas	Hay grasa acumulada	Retire y limpie las piezas de la parrilla de acuerdo con las instrucciones de "Limpieza y cuidado" del manual del propietario
	La carne tiene exceso de grasa	Quite la grasa de la carne antes de asarla en la parrilla
	La temperatura de cocción es excesiva	Ajuste (baje) la temperatura de cocción
Hay incendios persistentes provocados por grasa	Hay grasa atrapada por acumulación de alimentos alrededor del sistema de quemadores	1. Gire la perilla de control a la posición "OFF" 2. Deje la tapa en la posición cerrada y deje que el fuego se extinga 3. Después que la parrilla se enfríe, retire y limpie todas las piezas de la parrilla de acuerdo con las instrucciones de "Limpieza y cuidado" del manual del propietario
Hay un retroceso de llamas (fuego en los tubos del quemador)	Los quemadores y/o los tubos de los quemadores están bloqueados	Siga las instrucciones de limpieza para limpiar el quemador y/o los tubos del quemador en www.bluerhino.com
El interior de la tapa se está descascarando (como si la pintura se desprendiera)	La tapa es de acero inoxidable, no es pintada	Si la grasa cocinada acumulada se convirtió en carbón y se está desprendiendo, límpiela bien de acuerdo con las instrucciones de "Limpieza y cuidado" del manual del propietario
	La tapa tiene un recubrimiento/está pintada	Esto puede provenir de la acumulación de grasa que se ha convertido en carbón y se está desprendiendo Limpie bien de acuerdo con las instrucciones de "Limpieza y cuidado" del manual del propietario. Si después de la limpieza puede ver acero, llame a nuestro Servicio al Cliente al 1.800.762.1142.

Para obtener más ayuda, visítenos en línea en www.bluerhin.com o llame al 1.800.762.1142.

Free Manuals Download Website

<http://myh66.com>

<http://usermanuals.us>

<http://www.somanuals.com>

<http://www.4manuals.cc>

<http://www.manual-lib.com>

<http://www.404manual.com>

<http://www.luxmanual.com>

<http://aubethermostatmanual.com>

Golf course search by state

<http://golfingnear.com>

Email search by domain

<http://emailbydomain.com>

Auto manuals search

<http://auto.somanuals.com>

TV manuals search

<http://tv.somanuals.com>