

LP Gas Outdoor Fireplace

Model No. GAF720W

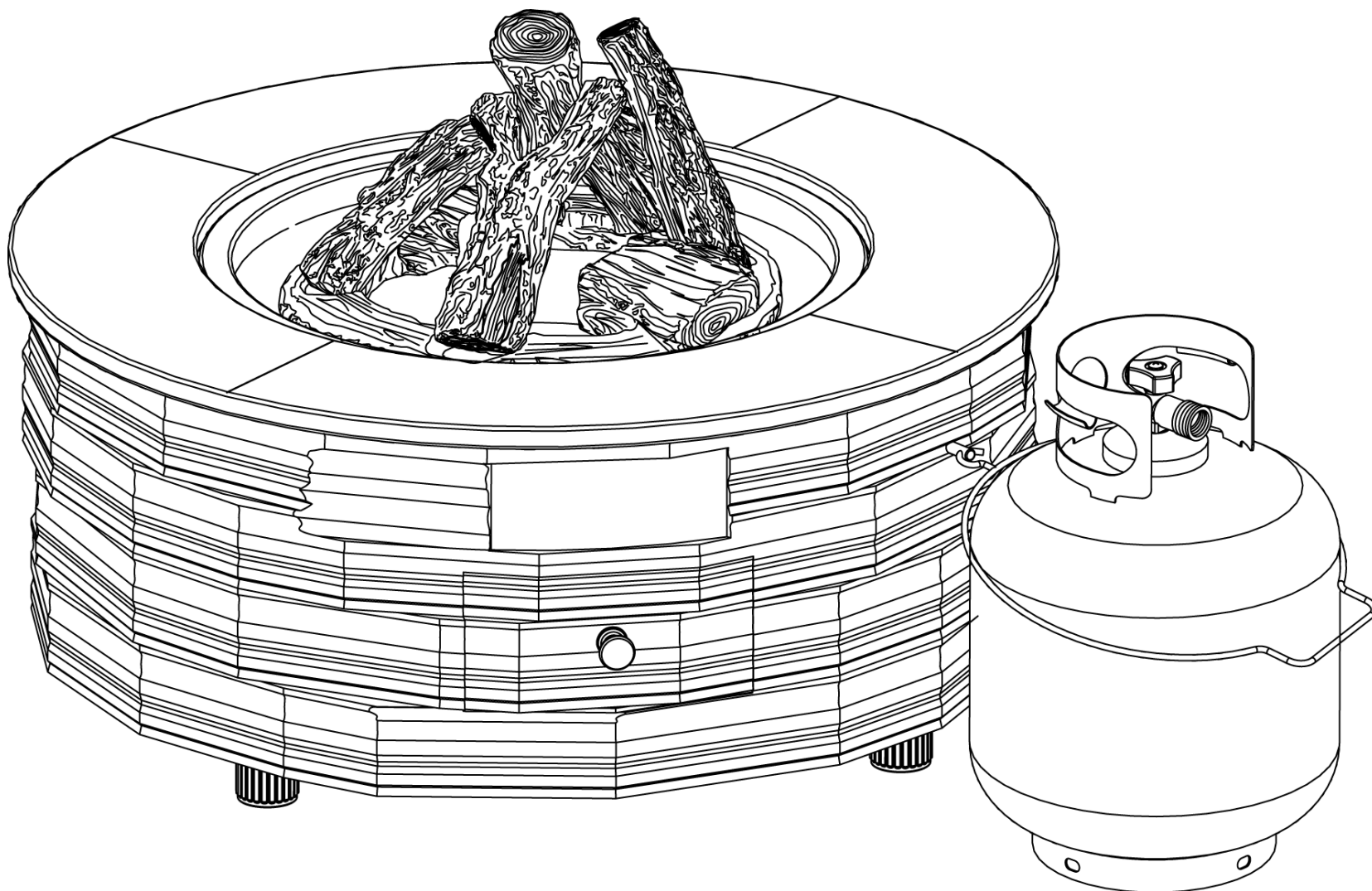


Table of Contents

Dangers and Warnings	Page 2
Exploded View	3
Assembly Instructions	4
Installing LP Gas Tank	5
Insert LP Gas Tank	5
Secure LP Gas Tank	5
Connect LP Gas Tank	5
Disconnect LP Gas Tank	5
Operating Instructions	5
Lighting	5
Turning Off	5
Cleaning and Care	6
Inspecting	6
Cleaning	6
Storing	6
Product Registration	6
Limited Warranty	6
Troubleshooting	7

The use and installation of this product must conform to local codes. In absence of local codes, use the latest edition of the *National Fuel Gas Code, ANSI Z223.1/NFPA 54, CAN/CGA-B149.1, Natural Gas and Propane Installation Code.*

For installation in Canada - these instructions, while generally acceptable do not necessarily comply with the Canadian installation codes, particularly with piping above and below ground. In Canada the installation of this appliance must comply with local codes and/or standard CAN/CGA B149.1 (installation code for propane burning appliances and equipment).

California Proposition 65: Chemicals known to the State of California to cause cancer, birth defects, or other reproductive harm are created by the combustion of propane.

Manufactured in China for:
Blue Rhino Global Sourcing, LLC
Winston-Salem, NC USA
1.800.762.1142, www.bluerhino.com

© 2006 Blue Rhino Global Sourcing, LLC. All Rights Reserved
UniFlame® is a Registered Trademark of Blue Rhino Global Sourcing, LLC. All Rights Reserved

GAF720W-OM-105 ES

WARNING
FOR YOUR SAFETY:
For Outdoor Use Only (outside any enclosure)
Do Not Use For Cooking.

WARNING
FOR YOUR SAFETY:

- ▲ If the information in this manual is not followed exactly, a fire or explosion may result causing property damage, personal injury or loss of life.
- ▲ Do not store or use gasoline or other flammable vapors and liquids in the vicinity of this or any other appliance.
- ▲ **WHAT TO DO IF YOU SMELL GAS:**
 - Do not try lighting any appliance.
 - Do not touch any electrical switch; do not use any phone in your building.
 - Immediately call your gas supplier from a neighbor's phone.
 - Follow the gas supplier's instructions.
 - If you cannot reach your gas supplier, call the fire department.
- ▲ Installation and service must be performed by a qualified installer, service agency or gas supplier.
- ▲ Improper installation, adjustment, alteration, service or maintenance can cause injury or property damage.
- ▲ Read the installation, operation, and maintenance instructions thoroughly before installing or servicing this equipment.
- ▲ Save these instructions for future reference. If you are assembling this unit for someone else, give this manual to him or her to read and save for future reference.



DANGERS and WARNINGS: FOR YOUR SAFETY

⚠ DANGER: Failure to follow the dangers, warning and cautions in this manual may result in serious bodily injury or death, or in a fire or an explosion causing damage to property.

⚠ WARNING:

⚠ This appliance is for outdoor use only, and shall NOT be used in a building, garage, or any other enclosed area.

⚠ Do NOT operate, light or use this appliance within 8 feet of walls, structures or buildings.

⚠ Do NOT use this outdoor fireplace for indoor heating. TOXIC carbon monoxide fumes can accumulate and cause asphyxiation.

⚠ This outdoor fireplace is NOT for commercial use.

⚠ This outdoor fireplace is for use with liquid propane (LP) gas only. The conversion to or attempted use of natural gas in this outdoor fireplace is dangerous and will void your warranty.

⚠ LP gas Characteristics:

a. LP gas is flammable and hazardous if handled improperly. Become aware of the characteristics before using any LP gas product.

b. LP gas is explosive under pressure, heavier than air, and settles and pools in low areas.

c. LP gas in its natural state has no odor. For your safety, an odorant is added that smells like rotten cabbage.

d. Contact with LP gas can cause freeze burns to skin.

⚠ LP gas tank needed to operate. Only tanks marked "propane" may be used.

a. The LP gas supply tank must be constructed and marked in accordance with the *Specifications for LP gas LP gas tanks of the U.S. Department of Transportation (DOT) or the National Standard of Canada, CAN/CSA-B339, LP gas tanks, Spheres and Tubes for the Transportation of Dangerous Goods; and Commission.*

b. LP gas tank must be arranged for vapor withdrawal.

c. The LP gas tank must have a listed overfilling prevention device (OPD) and a QCCI or Type I (CGA810) LP gas tank connection.

d. The LP gas tank must have a tank collar to protect the tank valve.

e. Never use an LP gas tank with a damaged body, valve, collar, or footing.

f. Dented or rusted LP gas tanks may be hazardous and should be checked by your LP gas supplier prior to use.

g. The LP gas tank should not be dropped or handled roughly.

h. Tanks must be stored outdoors out of the reach of children and must not be stored in a building, garage, or any other enclosed area. Your LP gas tank must never be stored where temperatures can reach over 125°F.

i. Never keep a filled LP gas tank in a hot car or car trunk. Heat will cause the gas pressure to increase, which may open the relief valve and allow gas to escape.

j. Place dust cap on valve outlet whenever the LP gas tank is not in use. Only install the type of dust cap on the LP gas tank valve outlet that is provided with the LP gas tank valve. Other types of caps or plugs may result in leakage of propane.

k. Do not store a spare LP gas tank under or near this appliance.

l. Never fill the tank beyond 80 percent full.

⚠ Your outdoor fireplace has been checked at all factory connections for leaks. Recheck all connections, as movement in shipping can loosen connections.

⚠ Check for leaks even if your unit was assembled for you by someone else.

⚠ Do not operate if gas leak is present. Gas leaks may cause a fire or explosion.

⚠ You must follow all leak-checking procedures before operating. To prevent fire or explosion hazard when testing for a leak:

a. Always perform leak test before lighting the outdoor fireplace and each time the tank is connected for use.

b. No smoking. Do not use or permit sources of ignition in the area while conducting a leak test.

c. Conduct the leak test outdoors in a well-ventilated area.

d. Do not use matches, lighters, or a flame to check for leaks.

e. Do not use outdoor fireplace until any and all leaks are corrected.

If you are unable to stop a leak, disconnect the LP gas supply. Call a gas appliance serviceman or your local LP gas supplier.

⚠ Do not store or use gasoline or other flammable liquids or vapors within 25 feet (7.62 m) of this appliance.

⚠ Do not use in an explosive atmosphere. Keep outdoor fireplace area clear and free from combustible materials, gasoline and other flammable vapors and liquids.

⚠ This outdoor fireplace is NOT to be operated by children.

⚠ This outdoor fireplace is NOT to be used in or on boats or recreational vehicles.

⚠ Always use in accordance with all applicable local, state and national codes. Contact

your local fire department for details on outdoor burning.

⚠ When using this outdoor fireplace, exercise the same precautions you would with any open fire.

⚠ The use of alcohol, prescription or non-prescription drugs may impair the consumer's ability to properly assemble or safely operate this outdoor fireplace.

⚠ Do NOT use this outdoor fireplace without reading the entire "Owner's Manual".

⚠ Do NOT burn solid fuels such as: wood, charcoal briquets, lump charcoal, manufactured logs, driftwood, trash, leaves, paper, cardboard, plywood, painted or stained or pressure treated wood in this outdoor fireplace.

⚠ It is essential to keep the outdoor fireplace's valve compartment, burners, and circulating air passages clean. Inspect outdoor fireplace before each use.

⚠ Do NOT alter this outdoor fireplace in any manner.

⚠ Do NOT use this outdoor fireplace until it is COMPLETELY assembled and all parts are securely fastened and tightened.

⚠ Do NOT store another LP gas LP gas tank within 10 feet (3.05 m) of this outdoor fireplace while it is in operation.

⚠ Do NOT use this outdoor fireplace near automobiles, trucks, vans or recreational vehicles.

⚠ Do NOT use this outdoor fireplace under any overhead or near any unprotected combustible constructions. Avoid using near or under overhanging trees and shrubs.

⚠ Always use this outdoor fireplace on a hard, level non-combustible surface such as concrete, rock or stone. An asphalt or blacktop surface may not be acceptable for this purpose.

⚠ Do NOT use this outdoor fireplace for cooking.

⚠ Do NOT use this outdoor fireplace if any part has been under water. Immediately call a qualified service technician to inspect the appliance and to replace any part or control system and any gas control which has been under water.

⚠ Do NOT wear flammable or loose clothing when operating this outdoor fireplace.

⚠ Do NOT use in windy conditions.

⚠ Do NOT use this outdoor fireplace unless burner and log set are securely in place.

⚠ Keep all electrical cords away from a hot outdoor fireplace.

⚠ Certain areas of this outdoor fireplace when in use will become too hot to touch. To avoid burns, do not touch hot surfaces until the unit has cooled unless you are wearing protective gear (insulated pot holder or heat resistant gloves or mittens).

⚠ Do NOT leave a lit outdoor fireplace unattended, especially around children and pets.

⚠ Do NOT attempt to move or store this outdoor fireplace until all parts are cool.

⚠ Do NOT lean over this outdoor fireplace when lighting or when in use.

⚠ This outdoor fireplace should be thoroughly inspected and cleaned on a regular basis.

⚠ This outdoor fireplace should be thoroughly cleaned and inspected on a regular basis. Clean and inspect the hose before each use of the appliance. If there is evidence of abrasion, wear, cuts, or leaks, the hose must be replaced prior to the appliance being put into operation.

⚠ Use only the regulator and hose assembly provided. The replacement regulator and hose assembly shall be that specified by the manufacturer.

⚠ Use only Blue Rhino Global Sourcing, LLC factory authorized parts. The use of any part that is NOT factory authorized can be dangerous and will void your warranty.

⚠ Storage of this outdoor fireplace indoors is permissible only if the tank is disconnected, removed from the outdoor fireplace and properly stored outdoors.

⚠ Do not attempt to disconnect the gas regulator from the tank or any gas fitting while the outdoor fireplace is in use.

⚠ If the outdoor fireplace is not in use, the gas must be turned off at the supply tank.

⚠ The pressure regulator is set for 10.5 inches of water column (pressure).

⚠ The maximum inlet gas pressure for this outdoor fireplace is 13 inches of water column pressure.

⚠ Do NOT sit on the mantle when the unit is in operation.

⚠ Do not throw anything onto the fire when the unit is in operation.

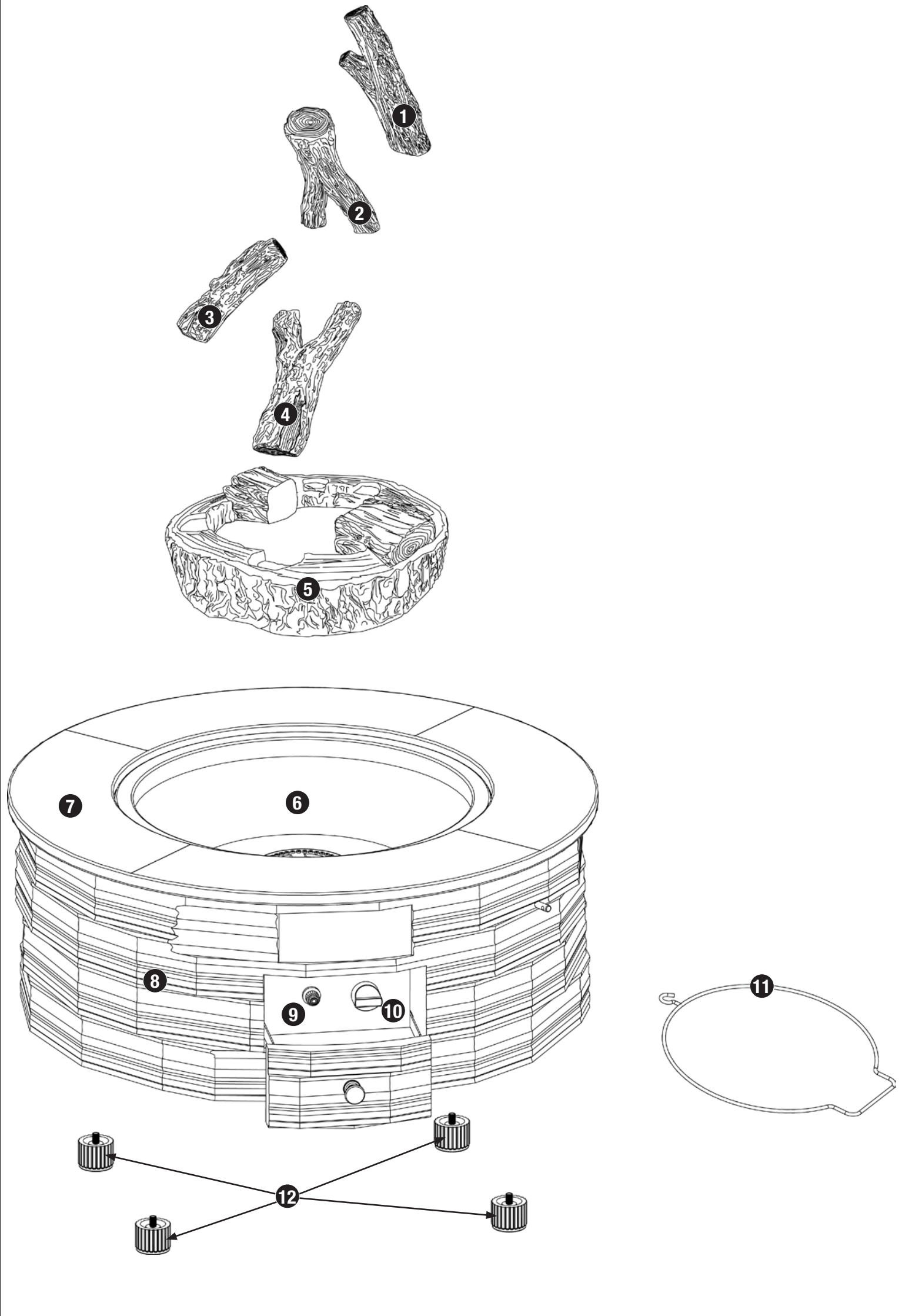
⚠ Fire logs are very hot, please keep the children or pets away at a safe distance.

⚠ Do NOT store any combustible materials in the base.

Parts List

- 1 Log A
- 2 Log B
- 3 Log C
- 4 Log D
- 5 Log Base
- 6 Bowl
- 7 Hearth (4)
- 8 Base
- 9 Igniter
- 10 Control Knob
- 11 LP Tank Retainer Wire
- 12 Foot (4)

Exploded View



Assembly Instructions

DO NOT RETURN PRODUCT TO STORE.

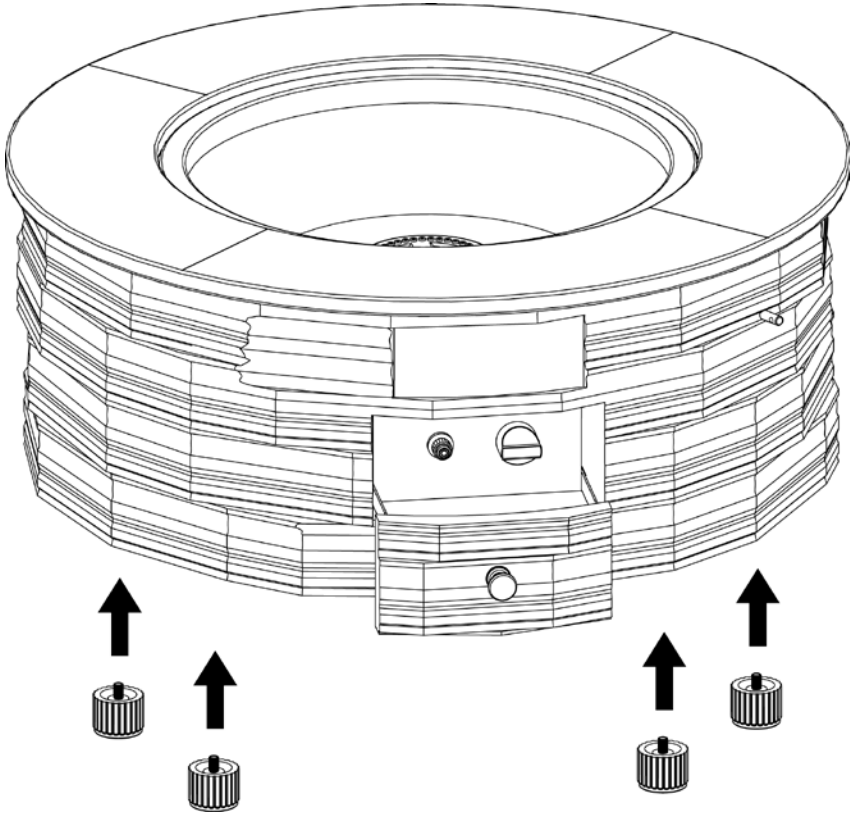
For assistance call **1.800.762.1142** toll free. Please have your owner's manual and serial number available for reference.

For Easiest Assembly:

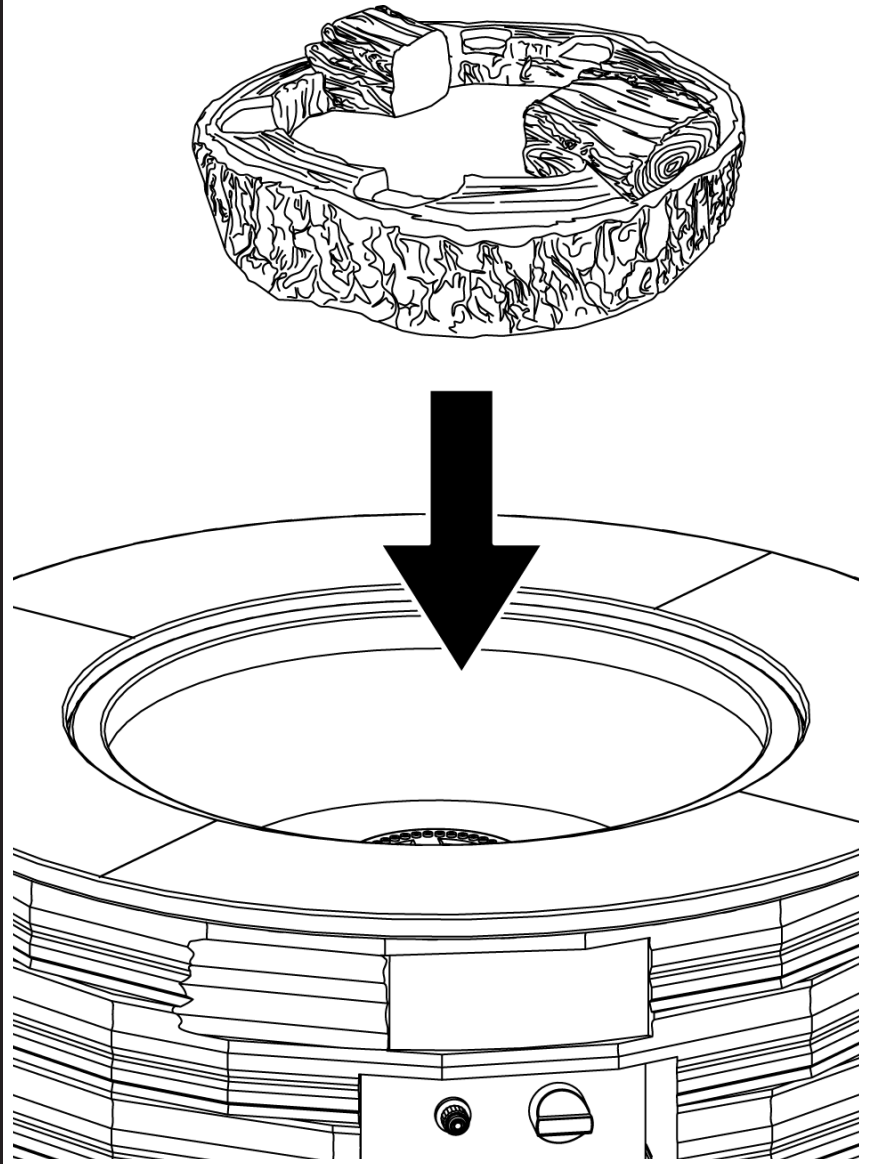
- To avoid losing any small components or hardware, assemble your product on a hard level surface that does not have cracks or openings.

- Clear an area large enough to layout all components and hardware.
- When applicable, tighten all hardware connections by hand first. Once the step is completed, go back and fully tighten all hardware.
- Follow all steps in order to properly assemble your product.

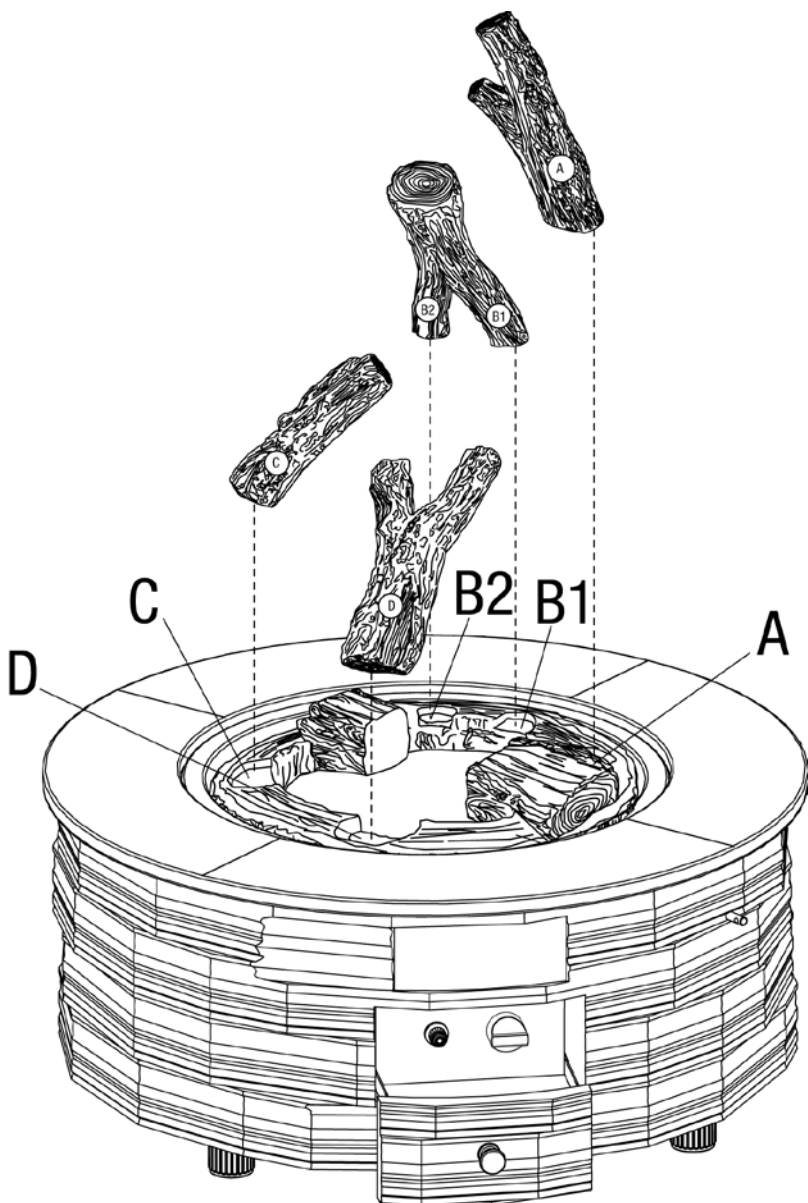
1 Attach Feet



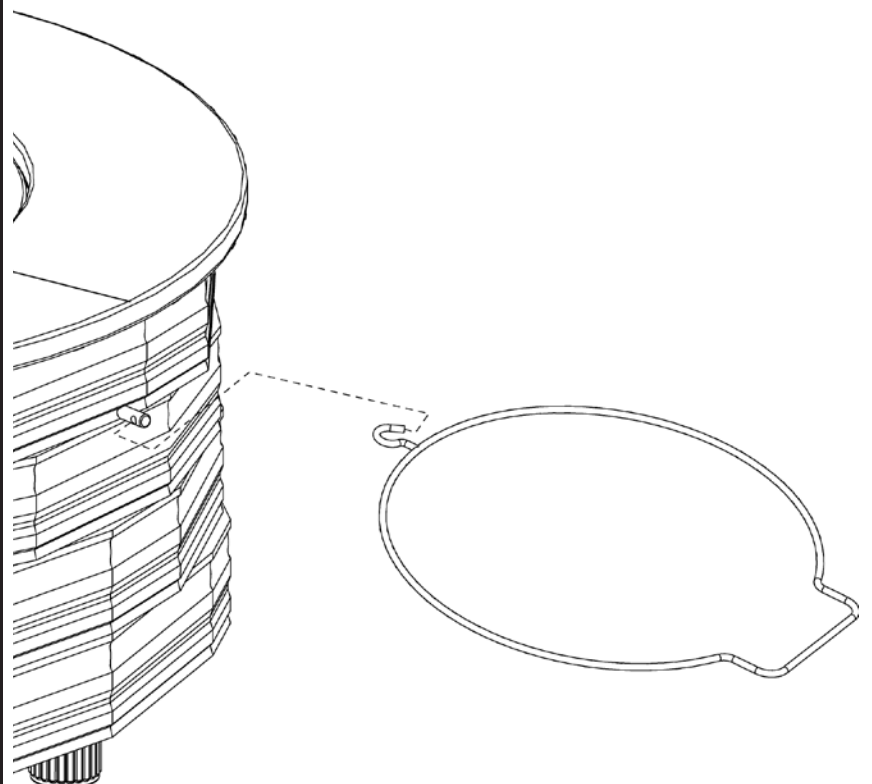
2 Insert Log Base



3 Insert Logs



4 Attach LP Tank Retainer Wire



Installing LP Gas Tank

To operate you will need (1) precision-filled standard outdoor fireplace LP gas tank (20#) with external valve threads.

Note: An empty standard outdoor fireplace LP gas tank weighs approximately 18 lbs. A precision-filled standard outdoor fireplace LP gas tank should weigh no more than 38 lbs.



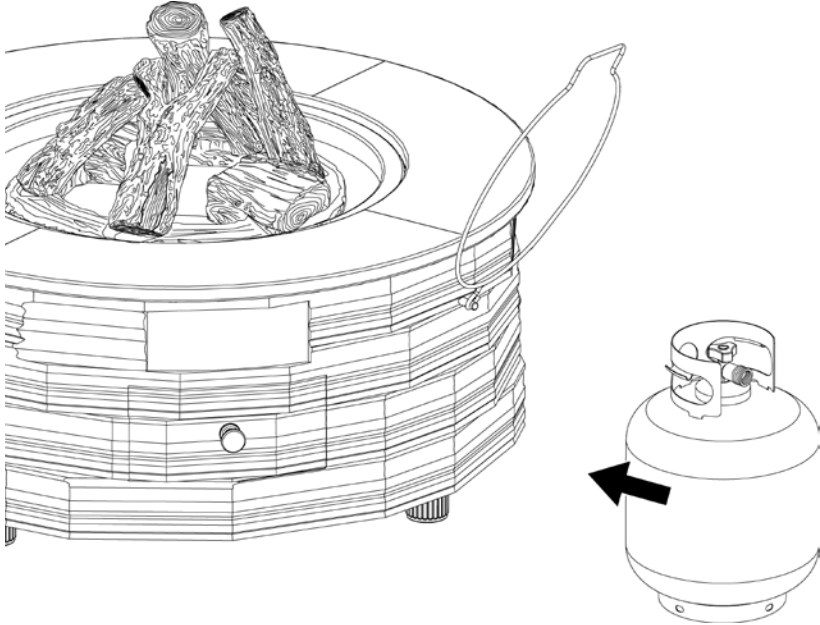
Need a tank of gas? Try tank exchange service. It's easy, fast, safe, and available at tens of thousands of conveniently located retail outlets nationwide. You can purchase a new full tank or exchange your empty for a precision filled one.



Insert LP Gas Tank

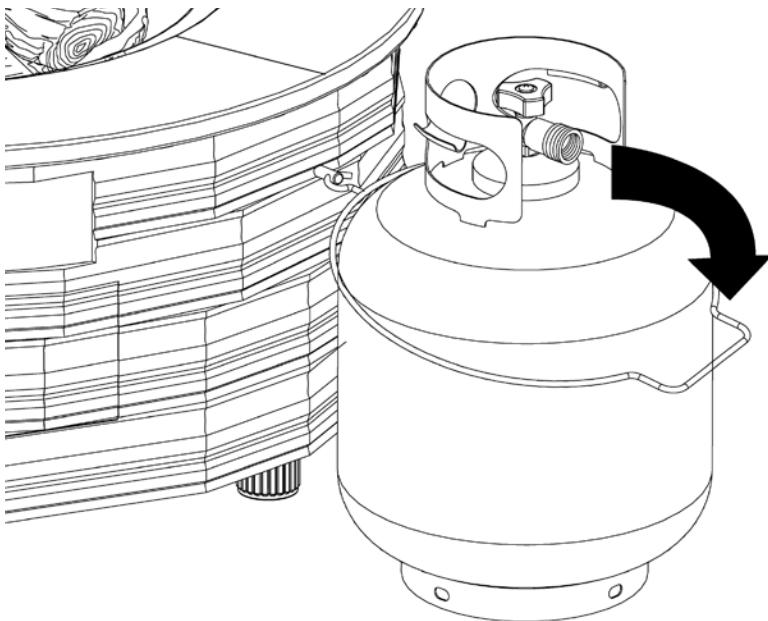
WARNING: Make sure LP gas tank valve is closed. Close by turning valve clockwise.

Place precision filled LP gas tank upright into hole in outdoor fireplace body so it is arranged for vapor withdrawal.



Secure LP Gas Tank

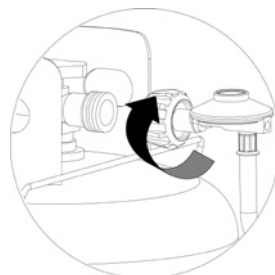
Secure tank by sliding tank retainer wire around the LP gas tank.



Connect LP Gas Tank

Before connecting, be sure that there is no debris caught in the head of the LP gas tank, head of the regulator valve or in the head of the burner and burner ports.

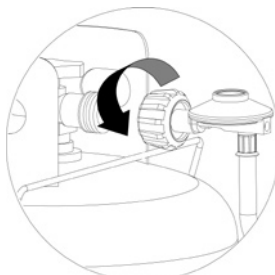
Connect gas line to tank by turning knob clockwise until it stops.



Disconnect LP Gas Tank

Before disconnecting make sure the LP gas tank valve is OFF.

Disconnect gas line to tank by turning knob counterclockwise until it is loose.



Operating Instructions

Checking for Leaks

WARNING: Before using this outdoor fireplace, make sure you have read, understand and are following all information provided in the Dangers and Warnings presented on page 2. Failure to follow those instructions can cause death, serious injury or property damage.

Burner Connections

Make sure the regulator valve and hose connections are securely fastened to the burner and the tank.

If your unit was assembled for you, visually check the connection between the burner pipe and orifice. Make sure the burner pipe fits over the orifice.

WARNING: Failure to inspect this connection or follow these instructions could cause a fire or an explosion which can cause death, serious bodily injury, or damage to property.

Please refer to diagram for proper installation.

If the burner pipe does not rest flush to the orifice, please contact 1.800.762.1142 for assistance.

Tank/Gas Line Connection

Make 2-3 oz. of leak solution by mixing one part liquid dishwashing soap with three parts water.

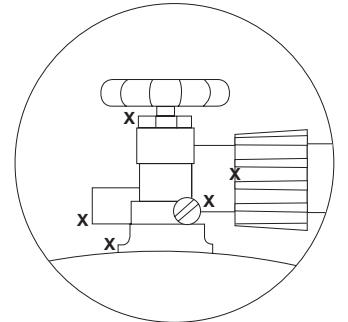
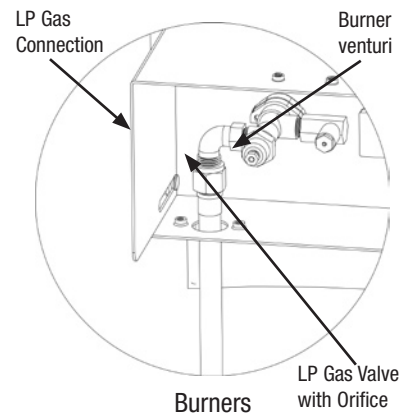
Make sure control knob is "OFF".

Turn LP gas tank ON at valve.

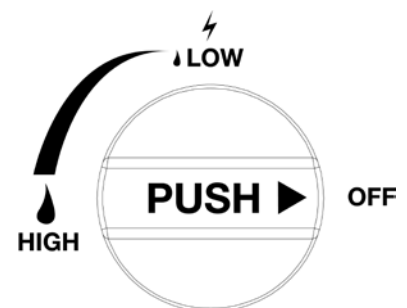
Spoon leak check solution at all "x" locations

If any bubbles appear turn LP gas tank OFF, reconnect and re-test. If you continue to see bubbles after several attempts, disconnect LP gas source and contact 1.800.762.1142 for assistance.

If no bubbles appear after one minute turn tank OFF, wipe away solution and proceed.



LP Gas Tank Valve



Control Knob

Lighting

1. Make sure there are no obstructions of airflow to the gas unit. Spiders and insects can nest within and clog the burner / venturi tube at the orifice. A clogged burner tube can lead to a fire beneath the appliance.

2. Control knob must be in the "OFF" position.

3. Turn on gas at LP gas tank.

4. Push and turn control knob counterclockwise to "LOW".

5. Press the igniter button repeatedly to light burner.

6. Release control knob after 5 seconds.

7. If ignition does not occur in 5 seconds, turn burner control knob "OFF", wait 5 minutes, fan with newspaper or magazine, and repeat lighting procedure.

8. If igniter does not light burner, use a long match or long butane lighter.

a. Wearing Heat resistant gloves, position the lit long match or lit long butane lighter near the side of the burner.

b. Turn control knob counterclockwise to "LOW".

c. Remove long match/long butane lighter.

9. After lighting, observe the burner flame, make sure all burner ports are lit and flame height matches illustration.

10. Adjust flame to desired flame with the control knob.

CAUTION: If burner flame goes out during operation, immediately turn the gas "OFF" and let the gas clear for about 5 minutes before re-lighting.



Match Placement



Proper flame height.

Operating Instructions (continued)

Turning Off

1. Turn gas off at LP tank.
2. Turn all control knobs clockwise to the OFF position.

Cleaning and Care

Inspecting

This outdoor fireplace should be inspected on a regular basis to ensure product safety and longer product life.

▲ WARNING: Do NOT attempt to inspect this outdoor fireplace until the fire is COMPLETELY out.

1. Check burner and log set to make sure they are secure.
2. Check venturi to make sure it is clear and free of spider nests.
3. Check all gas connections for leaks.
4. Check ignition system to insure proper sparking.
5. Check components for any signs of damage or rust.
6. If damage to any component is detected, do NOT operate until repairs are executed.

Cleaning

This outdoor fireplace should be cleaned on a regular basis to promote safer experiences and longer product life.

Note: After repeated use, a slight discoloration of the finishes may occur.

▲ WARNING: Do NOT attempt to clean this outdoor fireplace unless the fire is COMPLETELY out and unit is cool to the touch.

▲ WARNING: Do NOT use oven cleaner or abrasive cleaners as they will damage this product.

1. Wipe exterior surfaces with a mild dishwashing detergent or baking soda.
2. Rinse clean with water.

Storage

▲ WARNING: Do NOT move or store this outdoor fireplace unless the fire is COMPLETELY out and is cool to the touch.

1. Turn gas OFF at tank connection. Remove tank and store in a cool dry location outdoors away from children.
2. Carefully disassemble log set and store components flat in the fire bowl area to protect them from breakage.
3. Cover outdoor fireplace with a durable vinyl cover designed to fit this unit.
4. Store in a cool and dry location away from children and pets.

Product Registration

For faster warranty service, please register your product immediately at www.bluerhino.com or call 1.800.762.1142.

Limited Warranty

Blue Rhino Global Sourcing, LLC ("Vendor") warrants to the original retail purchaser of this product, and to no other person, that if this product is assembled and operated in accordance with the printed instructions accompanying it, then for a period of one (1) year from the date of purchase, all parts in such product shall be free from defects in material and workmanship. Vendor may require reasonable proof of your date of purchase. Therefore, you should retain your sales slip or invoice. This Limited Warranty shall be limited to the repair or replacement of parts, which prove defective under normal use and service and which Vendor shall determine in its reasonable discretion upon examination to be defective. Before returning any parts, you should contact Vendor's Customer Service Department using the contact information listed below. If Vendor confirms, after examination, a defect covered by this Limited Warranty in any returned part, and if Vendor approves the claim, Vendor will replace such defective part without charge. If you return defective parts, transportation charges must be prepaid by you. Vendor will return replacement parts to the original retail purchaser, freight or postage prepaid.

This Limited Warranty does not cover any failures or operating difficulties due to accident, abuse, misuse, alteration, misapplication, improper installation or improper maintenance or service by you or any third party, or failure to perform normal and routine maintenance on the product as set out in this owner's manual. In addition, the Limited Warranty does not cover damage to the finish, such as scratches, dents, discoloration, rust or other weather damage, after purchase.

This Limited Warranty is in lieu of all other express warranties. Vendor disclaims all warranties for products that are purchased from sellers other than authorized retailers or distributors, including the warranty of merchantability or the warranty of fitness for a particular purpose. VENDOR ALSO DISCLAIMS AND ANY ALL IMPLIED WARRANTIES, INCLUDING WITHOUT LIMITATION THE IMPLIED WARRANTIES OF MERCHANTABILITY AND FITNESS FOR A PARTICULAR PURPOSE. VENDOR SHALL NO LIABILITY TO PURCHASER OR ANY THIRD PARTY FOR ANY SPECIAL, INDIRECT, PUNITIVE, INCIDENTAL, OR CONSEQUENTIAL DAMAGES. Vendor further disclaims any implied or express warranty of, and assumes no responsibility for, defects in workmanship caused by third parties.

This Limited Warranty gives the purchaser specific legal rights; a purchaser may have other rights depending upon where he or she lives. Some jurisdictions do not allow the exclusion or limitation of special, incidental or consequential damages, or limitations on how long a warranty lasts, so the above exclusion and limitations may not apply to everyone.

Vendor does not authorize any person or company to assume for it any other obligation or liability in connection with the sale, installation, use, removal, return, or replacement of its equipment, and no such representations are binding on Vendor.

Blue Rhino Global Sourcing, LLC
Winston-Salem, North Carolina USA
(800) 762-1142

Troubleshooting

Problem	Possible Cause	Prevention/Cure
Burner will not light using igniter	Electrode and burners are wet.	Wipe dry with cloth.
	Electrode cracked or broken - sparks at crack.	Replace electrode.
	Wire loose or disconnected.	Reconnect wire or replace electrode/wire assembly
	Wire is shorting (sparking) between igniter and electrode.	Replace igniter wire/electrode assembly
	Bad igniter.	Replace igniter
Burner will not light with match	No gas flow.	Check if LP gas tank is empty. If LP gas tank is not empty, refer to "Sudden drop in gas flow (reduced flame height)". If empty, replace or refill.
	Coupling nut and regulator not fully connected.	Turning the coupling nut about one-half to three quarters additional turn until solid stop. Tighten by hand only-do not use tools.
	Obstruction of gas flow.	Clear burner tubes. Check for bent or kinked hose.
	Disengagement of burner to valve.	Reengage burner and valve.
	Spider webs or insect nest in venturi.	Clean venturi.
	Burner ports clogged or blocked.	Clean burner ports.
Sudden drop in gas flow or reduced flame height	Out of gas.	Check for gas in the LP gas tank
	Excess flow safety device may have been activated.	Turn control knob to "OFF", wait 30 seconds and light outdoor fireplace. If flames are still too low reset the excessive flow safety device by turning off knobs and LP gas tank valve. Disconnect regulator. Turn burner control knobs to "HIGH". Wait 1 minute. Turn burner control knob off. Reconnect regulator and leak check connections. Turn LP gas tank valve on slowly, wait 30 seconds and then light outdoor fireplace.
Irregular flame pattern	Burner ports are clogged or blocked.	Clean burner ports.
Flame blow out	High or gusting winds	Increase flame height to "HIGH" setting
	Low on LP Gas	Replace or refill LP gas tank
	Excess flow valve tripped	Refer to "Sudden drop in gas flow"
Flame seems to lose heat when burning in cold weather - temperature below 50°F	Ice has built up on the outside of the LP gas tank because the vaporization process is too slow.	Turn "OFF" the control knob and the LP gas tank. Replace with a spare LP gas tank and resume burning. Store a spare LP gas tank in a well ventilated area away from children.
If problems can not be corrected by using these methods, please contact 1.800.762.1142 fo assistance.		





Resolución de problemas

Problema	Causa posible	Prevención/solución
El quemador no se enciende utilizando el encendedor.	<p>Los electrodos y los quemadores están mojados.</p> <p>Electrodo agrietado o roto; chispas en las grietas.</p> <p>Cable suelto o desconectado.</p> <p>El cable tiene un cortocircuito (chispes) entre el encendedor y el electrodo.</p> <p>Encendedor defectuoso.</p>	<p>Séquelos con un paño.</p> <p>Sustituya el electrodo.</p> <p>Vuelva a conectar el cable o sustituya el conjunto electrodo/cable.</p> <p>Sustituya el conjunto cable del encendedor/electrodo.</p> <p>Sustituya el encendedor.</p>
El quemador no se enciende con una cerilla.	<p>No hay flujo de gas.</p> <p>La tuerca de acoplamiento no está conectada por completo.</p> <p>Gire la tuerca de acoplamiento entre media vuelta y tres cuartos de vuelta hasta que haga tope con firmeza. Apriete únicamente a mano, sin utilizar ninguna herramienta.</p> <p>Obstrucción del flujo de gas.</p> <p>Limpié los tubos del quemador. Verifique que la manguera no esté torcida o doblada.</p> <p>Desacoplamiento del quemador a la válvula.</p> <p>Telarañas o nidos de insectos en el venturi.</p> <p>Bocas del quemador atascadas u obstruidas.</p>	<p>Compruebe si el tanque de propano líquido está vacío. Si el tanque de propano líquido está vacío, consulte la sección "Caída repentina del flujo de gas" (tamaño de llama insuficiente). Si está vacío, sustitúyalo o vuelva a llenarlo.</p> <p>Gire la tuerca de acoplamiento entre media vuelta y tres cuartos de vuelta hasta que haga tope con firmeza. Apriete únicamente a mano, sin utilizar ninguna herramienta.</p> <p>Limpié los tubos del quemador. Verifique que la manguera no esté torcida o doblada.</p> <p>Vuelva a conectar el quemador y la válvula.</p> <p>Limpié el tubo de venturi.</p> <p>Limpié las bocas del quemador.</p>
Caída repentina del flujo de gas o altura de la llama insuficiente.	<p>Puede que se haya activado el dispositivo de seguridad de exceso de flujo.</p> <p>Las bocas del quemador están atascadas u obstruidas.</p>	<p>Compruebe si hay gas en el tanque de propano líquido.</p> <p>Gire la perilla a la posición "OFF" (apagado), espere 30 segundos y encienda el hogar para exteriores. Si las llamas continúan siendo demasiado bajas reinicie el dispositivo de seguridad de flujo excesivo girando la perilla a la posición "OFF" y la válvula del tanque de propano líquido. Desconecte el regulador. Gire la perilla de control del quemador a la posición "HIGH" (alto). Espere 1 minuto. Gire la perilla de control del quemador a la posición "OFF". Vuelva a conectar las conexiones del regulador y del dispositivo de comprobación de fugas. Abra lentamente la válvula del tanque de propano líquido, espere 30 segundos y, a continuación, encienda el hogar para exteriores.</p>
Falta de uniformidad en la llama.	<p>Las bocas del quemador están atascadas u obstruidas.</p>	<p>Limpié las bocas del quemador.</p>
La llama se apaga.	<p>Vientos fuertes o racheados.</p> <p>Nivel de gas del tanque de propano bajo.</p>	<p>Aumente la altura de la llama a la graduación "HIGH" (alto). Sustituya el tanque de propano o vuelva a llenarlo.</p>
La llama produce menos calor durante los períodos fríos (temperaturas por debajo de los 50° F/10° C)	<p>Se acumuló hielo en el exterior del tanque de gas propano líquido porque el proceso de vaporización es demasiado lento.</p>	<p>Gire la perilla a la posición "OFF" (apagado) y cierre el gas del tanque de propano líquido. Cambie por un tanque de gas propano líquido de repuesto y vuelva a encender. Guarde un tanque de gas de repuesto en un área bien ventilada y fuera del alcance de los niños.</p>
<p>Si cualquier problema no puede resolverse usando estos métodos, sírvase llamar al 1.800.762.1142 para obtener ayuda.</p>		

Instrucciones de operación (continuación)

- Usando guantes resistentes al calor, coloque una cerilla larga, encendida, o un encendedor de butano, largo, encendido, cerca de un costado del quemador.
- Gire la perilla de control en la dirección contraria a las manecillas del reloj a la posición "LOW" (bajo).
- Remueva la cerilla larga o el encendedor de butano que acaba de usar.

▲ PRECAUCIÓN: Después de encendido – Usando una pala y guantes resistentes al calor, cuidadosamente mueva las rocas de lava a su posición original, teniendo cuidado de evitar la llama.

- Después de encender el quemador observe su llama y asegúrese de que todos los orificios estén encendidos y que la altura de la llama corresponda a la del diagrama.
- Ajuste la llama a la altura deseada con la perilla de control.

▲ PRECAUCIÓN: Si la llama del quemador se apaga durante el funcionamiento, cierre el gas ("OFF") inmediatamente y abra la tapa durante 5 minutos para dejar que la zona quede despejada de gas antes de volver a encenderlo.

Apagado:

- Cierre el gas en el tanque de propano líquido.
- Gire todas las perillas de control en la dirección de las manecillas del reloj a la posición "OFF" (apagado).

Limpieza y cuidado

Inspección

Este hogar para exteriores debe ser examinado en forma regular para verificar la seguridad de su funcionamiento y prolongar su vida útil.

▲ ADVERTENCIA: NO trate de inspeccionar este hogar para exteriores antes de que el fuego se haya extinguido COMPLETAMENTE.

- Verifique que el quemador y el conjunto de leños están correctamente asegurados.

- Verifique que el tubo de venturi está libre de nidos de arañas y telarañas.

- Verifique que no hay fugas y que todas las conexiones están en perfecto estado.

- Verifique que el sistema de encendido está operando correctamente y produce la chispa apropiada.

- Verifique que todos los componentes están libres de oxidación o de señales de daños.

- Si detecta daños en cualquier componente, NO opere la unidad antes de que las reparaciones se hayan realizado.

Limpieza

Este hogar para exteriores debe limpiarse en forma regular para asegurar su funcionamiento seguro y prolongar su vida útil.

Nota: Después de repetido uso, la superficie de metal puede descolorarse un poco.

▲ ADVERTENCIA: NO trate de limpiar este hogar para exteriores antes de que el fuego se haya extinguido COMPLETAMENTE.

▲ ADVERTENCIA: NO use productos para limpieza de hornos o limpiadores abrasivos pues estos dañan la unidad.

- Limpie las superficies exteriores con un detergente suave para el lavado de platos o con soda de hornear.

- Enjuague con agua limpia.

Almacenamiento

▲ ADVERTENCIA: NO mueva o guarde este hogar para exteriores antes de que el fuego se haya extinguido COMPLETAMENTE y sus partes se sientan frías al tocarlas.

- Cierre la válvula de gas (OFF) en la conexión del tanque. Remueva el tanque y guárdelo en un lugar seco y fresco en el exterior y protegido de los niños.

- Cuidadosamente desarme el conjunto de leños de cerámica y guarde los componentes descansando en el cuenco del hogar para exteriores para protegerlos de daño.

- Cubra el hogar para exteriores con una cubierta de vinilo durable y diseñada para esta unidad.

- Guarde la unidad en un lugar seco y fresco protegido de niños y mascotas.

Garantía limitada

Además, la garantía limitada no cubre daños al terminado de la unidad, tales como rasguños, abolladuras, descoloridos, oxidaciones y otros daños causados por la intemperie después de la compra de la unidad.

Esta garantía limitada reemplaza cualquier otra garantía. El fabricante no asume ninguna responsabilidad por garantías de productos vendidos por quienes no sean distribuidores o vendedores al detal autorizados. Esta exención de responsabilidad incluye cualquier garantía de comerciabilidad o la garantía de aptitud para un propósito en particular. EL FABRICANTE NO SE HACE RESPONSABLE POR NINGUNA GARANTIA IMPLICITA INCLUYENDO, SIN LIMITACIONES, LAS GARANTIAS IMPLICITAS DE COMERCIABILIDAD Y ADAPTABILIDAD A UN PROPOSITO PARTICULAR. EL FABRICANTE NO ASUME RESPONSABILIDAD ANTE EL COMPRADOR O ANTE CUALQUIER TERCERA PERSONA POR DAÑOS ESPECIALES, INDIRECTOS, PUNITIVOS, INCIDENTALES O CONSECUENCIALES. El fabricante, además, no asume responsabilidad por garantías implícitas o expresas por defectos de mano de obra causados por terceras personas.

Esta garantía limitada le da al comprador derechos legales específicos y el comprador puede tener otros derechos según el lugar donde el comprador o la compradora residan. Ciertas jurisdicciones no permiten limitaciones en cuanto a la duración de una garantía implícita, de

manera que esta limitación puede no ser aplicable a usted.

El fabricante no autoriza a ninguna persona o compañía para asumir por el fabricante cualquier otra obligación a responsabilidad relacionada con la venta, instalación, uso,

remoción, devolución o reemplazo de este equipo y cualquier representación de esta naturaleza no obliga al fabricante.

Blue Rhino Sourcing, LLC

Winston-Salem, North Carolina 27104, EE.UU.

(800)-762-1142

Registro del producto

Sírvase registrar su unidad inmediatamente visitando nuestro sitio de internet www.BlueRhino.com o llamando al 1.800.762.1142.

Instrucciones de operación

Comprobar si hay fugas

ADVERTENCIA: Antes de usar este hogar para exteriores asegúrese de haber leído, entendido y seguido toda la información proporcionada en la sección de Peligros y Advertencias que se encuentra en la Página 2. El no seguir estas instrucciones puede provocar un accidente que cause la muerte, lesiones graves o daños a la propiedad.

Conexiones del quemador

Asegúrese de conectar adecuadamente la válvula del regulador al quemador y al tanque.

Si alguien armó la unidad para usted, verifique visualmente la conexión entre el tubo del quemador y el orificio. Asegúrese de que el tubo del quemador encaja sobre el orificio.

ADVERTENCIA: El no inspeccionar esta conexión o seguir debidamente estas instrucciones puede causar incendio o explosión ocasionando muerte, graves lesiones o daños a la propiedad.

Por favor, consulte el diagrama para llevar a cabo correctamente la instalación.

Si el tubo del quemador no queda a ras con el orificio, por favor llame al 1.800.762.1142.

Conexión de la línea de gas y del tanque

Prepáre unos 80 ml de solución para comprobar si hay fugas mezclando una parte de jabón líquido para lavar platos y tres partes de agua.

Asegúrese de que la perilla de control está en la posición "OFF" (apagado).

Abra el gas (ON) desde la válvula del tanque de propano.

Aplique con una cuchara la solución de verificación de escapes en todas las ubicaciones marcadas con "X".

Si en cualquier punto aparecen burbujas, cierre la válvula del tanque (OFF), vuelva a conectar la manguera y verifique nuevamente. Si las burbujas continúan apareciendo después de varios ensayos, desconecte la fuente de propano y llame al teléfono 1.800.762.1142 para notificar el defecto.

Si no aparecen burbujas por un lapso de un minuto, cierre (OFF) la válvula del tanque de gas y limpie la solución para continuar el proceso.

Instalación del tanque de gas propano líquido

Para operar el hogar para exteriores usted necesitará un (1) tanque de gas propano líquido de 20 libras (9 kg), para Parrilla estándar, llenado con precisión y con rosca para la conexión de la válvula externa.

Nota: Un tanque estándar vacío de gas propano líquido para Parrilla pesa aproximadamente 18 libras (8,1 kg). Un tanque estándar de gas propano líquido para Parrilla llenado con precisión no debe pesar más de 38 libras (17,2 kg).

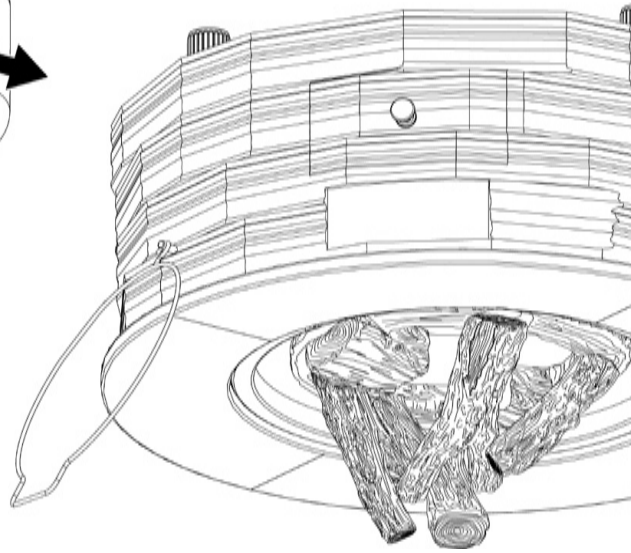


¿Necesita un tanque de gas? Pruebe nuestro servicio de intercambio de tanques. Es sencillo, rápido, seguro y está disponible en decenas de miles de puestos de venta a lo largo de todo el país. Puede comprar un nuevo tanque lleno o cambiar su tanque vacío por un lleno.

Inserte el tanque de propano

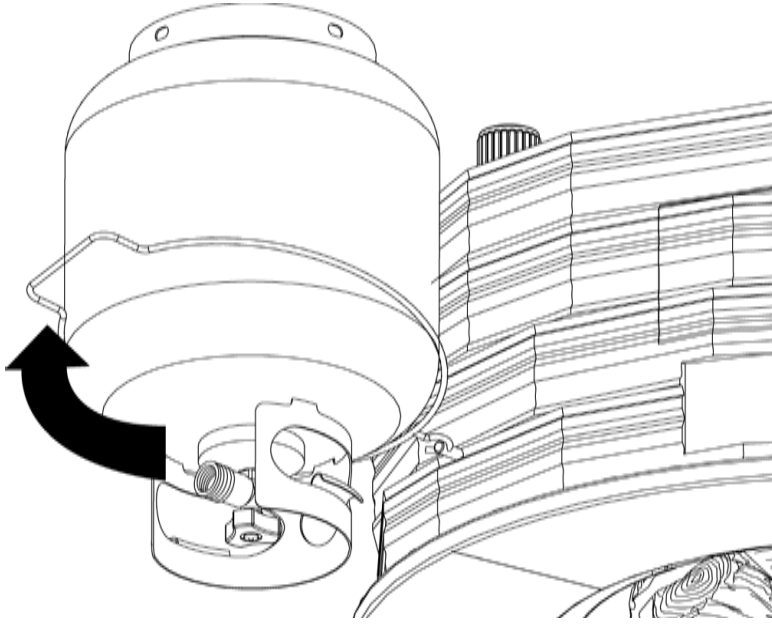
ADVERTENCIA: Asegúrese de cerrar la válvula de gas del tanque de propano líquido. Cierre la válvula girándola en la dirección de las manecillas del reloj.

Coloque un tanque de propano, llenado con precisión, en posición vertical en el cuerpo del hogar para exteriores de manera que quede colocado para extracción del gas.



Asegure el tanque de propano

Asegure el tanque pasando el alambre de retención del tanque por sobre el hombro del tanque de propano.



Conecte el tanque de propano

Antes de conectar el tanque, asegúrese de que tanto la cabeza del mismo como la del regulador y los orificios/puertos del quemador, están libres de cualquier suciedad.

Conecte la línea de gas al tanque girando la perilla en la dirección de las manecillas de reloj hasta su límite.



Desconecte el tanque de propano

Antes de desconectar el tanque, asegúrese de que la válvula del tanque de gas propano líquido está en la posición "OFF" (apagado).

Desconecte la línea de gas al tanque girando la perilla en la dirección contraria a las manecillas de reloj hasta que esté floja.



Encendido

1. Asegúrese de que no hay nada que obstruya el flujo de aire en la unidad de gas. Arañas y otros insectos pueden formar sus nidos dentro y obstruir los orificios del quemador/tubo de venturi. Un tubo de quemador obstruido puede provocar un incendio debajo del aparato.

2. La perilla tiene que estar en la posición "OFF" (apagado).

3. Abra el gas desde el tanque de propano.

4. Oprima y gire la perilla de control en el sentido contrario a las manecillas del reloj para situarlo en la posición "LOW" (bajo).

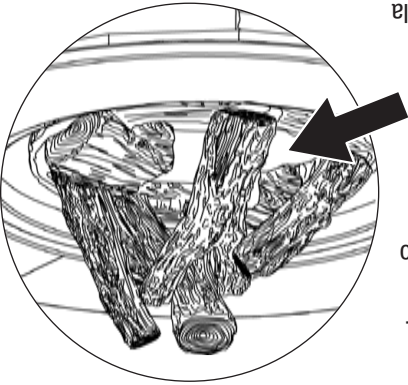
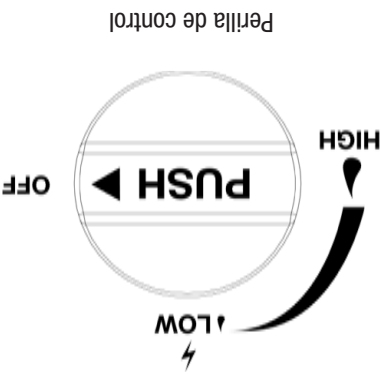
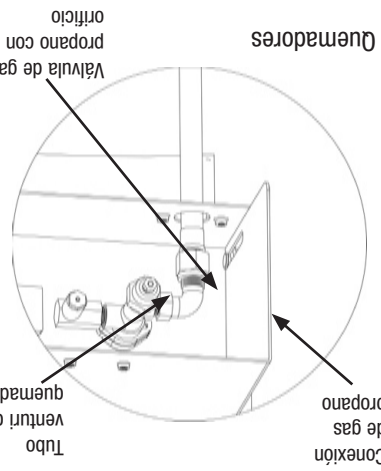
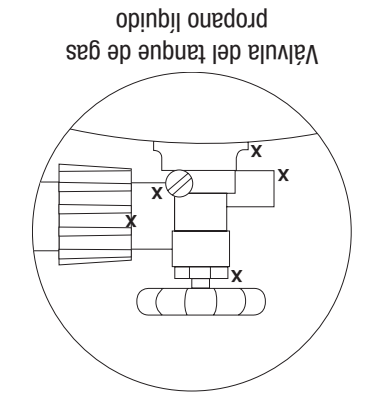
5. Oprima la perilla del encendedor electrónico varias veces para que encienda el quemador.

6. Suelte el control después de 5 segundos.

7. Si el quemador no se enciende en 5 segundos, gire 6. Si el quemador no se enciende en 5 segundos, gire la perilla de control a "OFF" (apagado), espere 5 minutos y repita el procedimiento de encendido.

8. En caso de que el encendedor electrónico no encienda el quemador, use una cerilla larga o un encendedor de butano para encender el quemador manualmente.

ADVERTENCIA: Antes de encender – Usando una pala, mueva las rocas de lava para tener acceso al quemador.



Instrucciones de armado

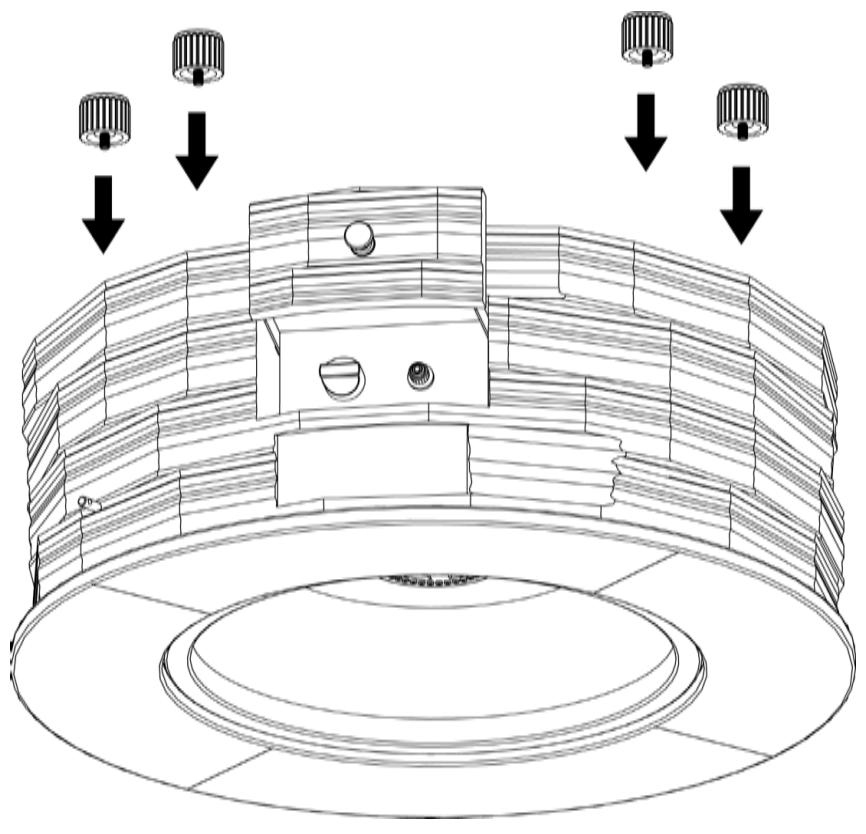
NO DEVUELVA EL PRODUCTO AL LUGAR DE COMPRA
 Si necesita ayuda llame, sin cargo, al 1.800.762-1142. Por favor tenga a mano su manual y el número de serie de la unidad, para referencia.

Para facilitar el armado:
 • Evite la pérdida de componentes pequeños o elementos de ferretería, armando el producto en un lugar de piso plano sin aberturas ni hendiduras.

- Despeje un área suficientemente grande para disponer todos los componentes y los elementos de ferretería.
- Cuando sea del caso, apriete a mano, en un principio, las conexiones de ferretería. Una vez que ha terminado el paso, apriete completamente todos los elementos de ferretería.
- Siga todos los pasos en el orden indicado para armar debidamente esta unidad.

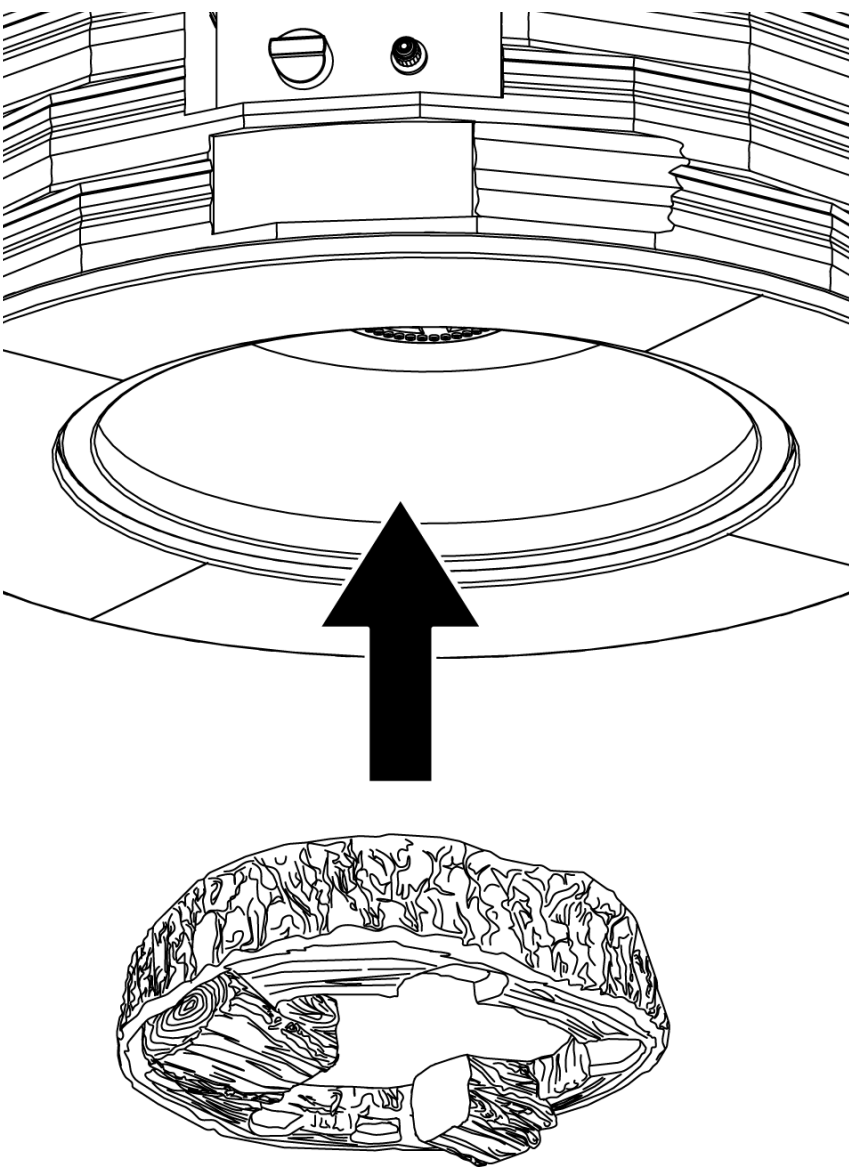
1

Fije las pies



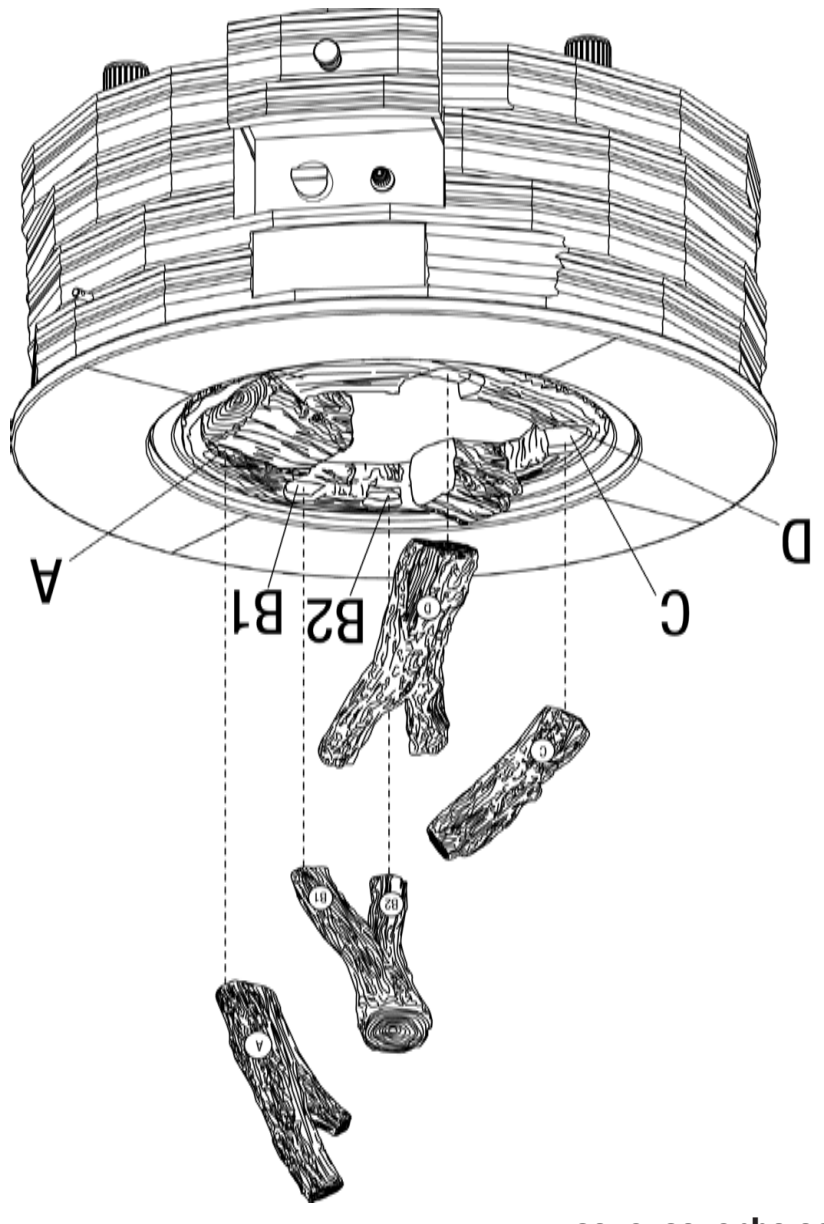
2

Coloque la base para leños



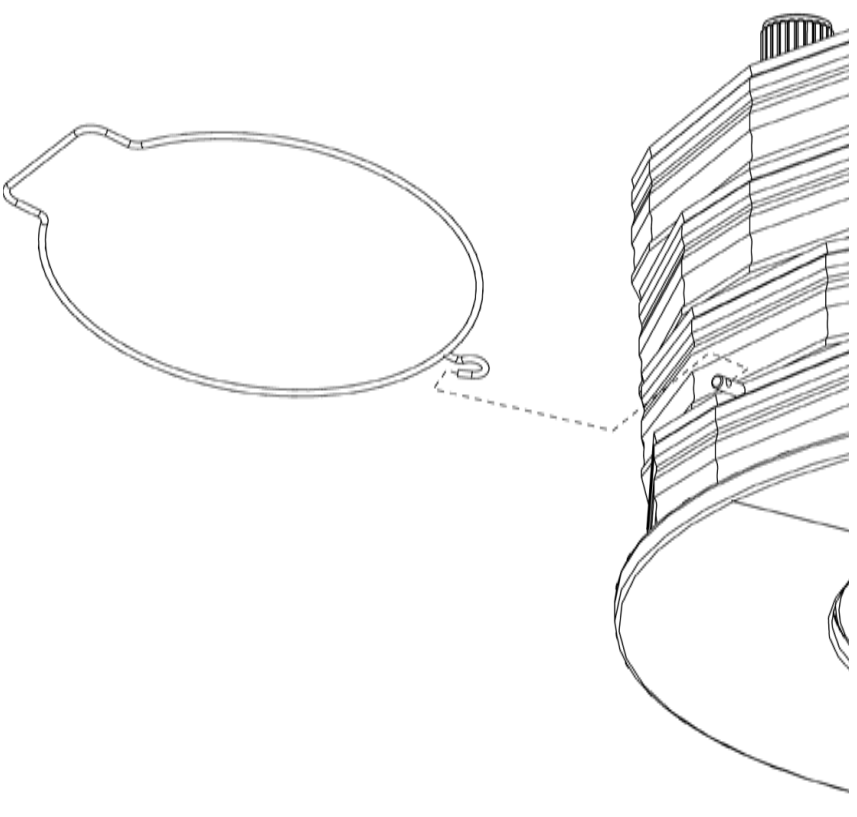
3

Coloque los leños



4

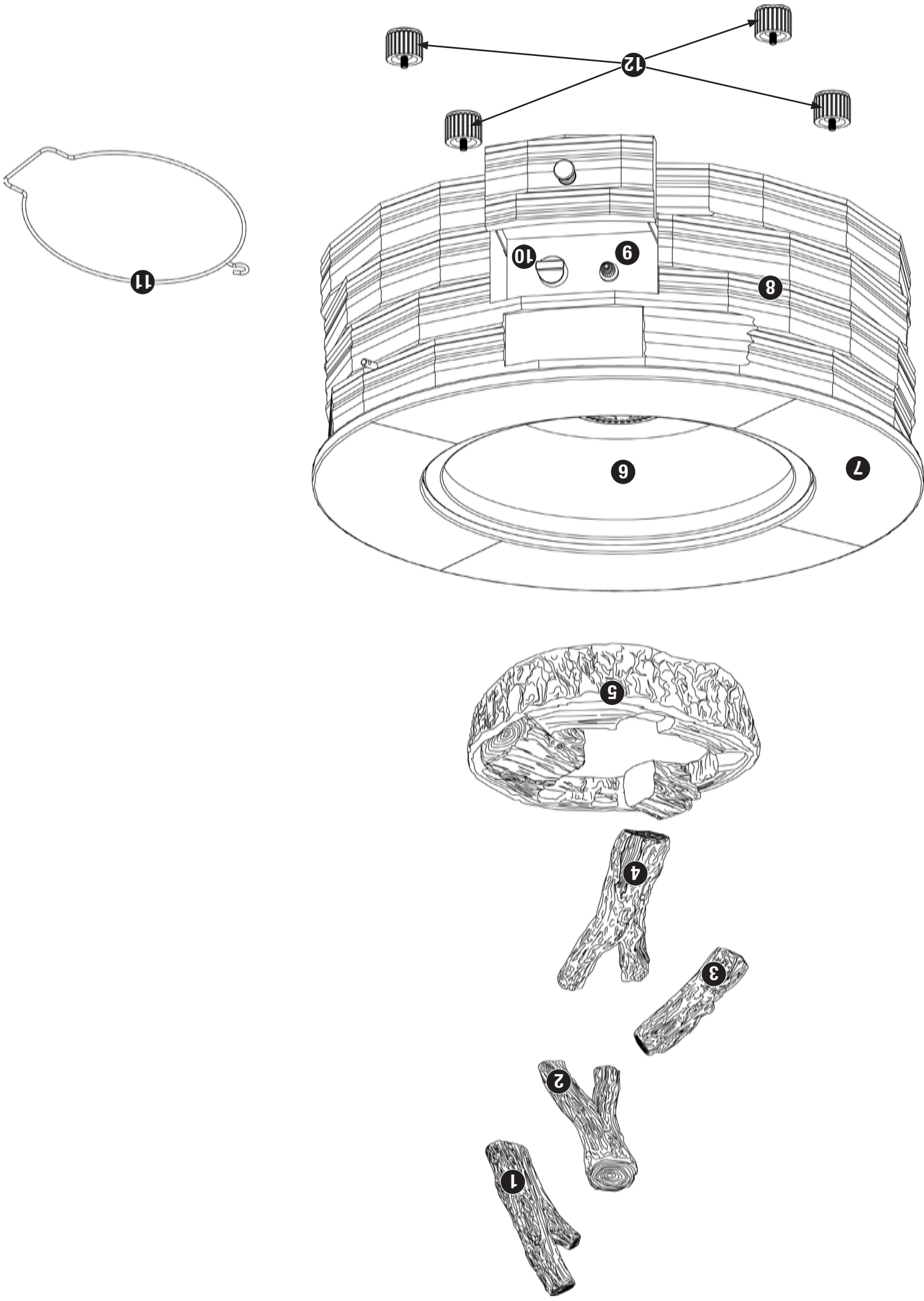
Fije el alambre de retención del tanque de gas propano líquido



Lista de piezas

- 1 Leño A
- 2 Leño B
- 3 Leño C
- 4 Leño D
- 5 Base para leños
- 6 Cuenco
- 7 Placa del hogar (4)
- 8 Base
- 9 Encendedor
- 10 Perilla de control
- 11 Alambre de retención del tanque de propano líquido
- 12 Pie (4)

Diagrama de explosión



PELIGROS Y ADVERTENCIAS: PARA SU SEGURIDAD

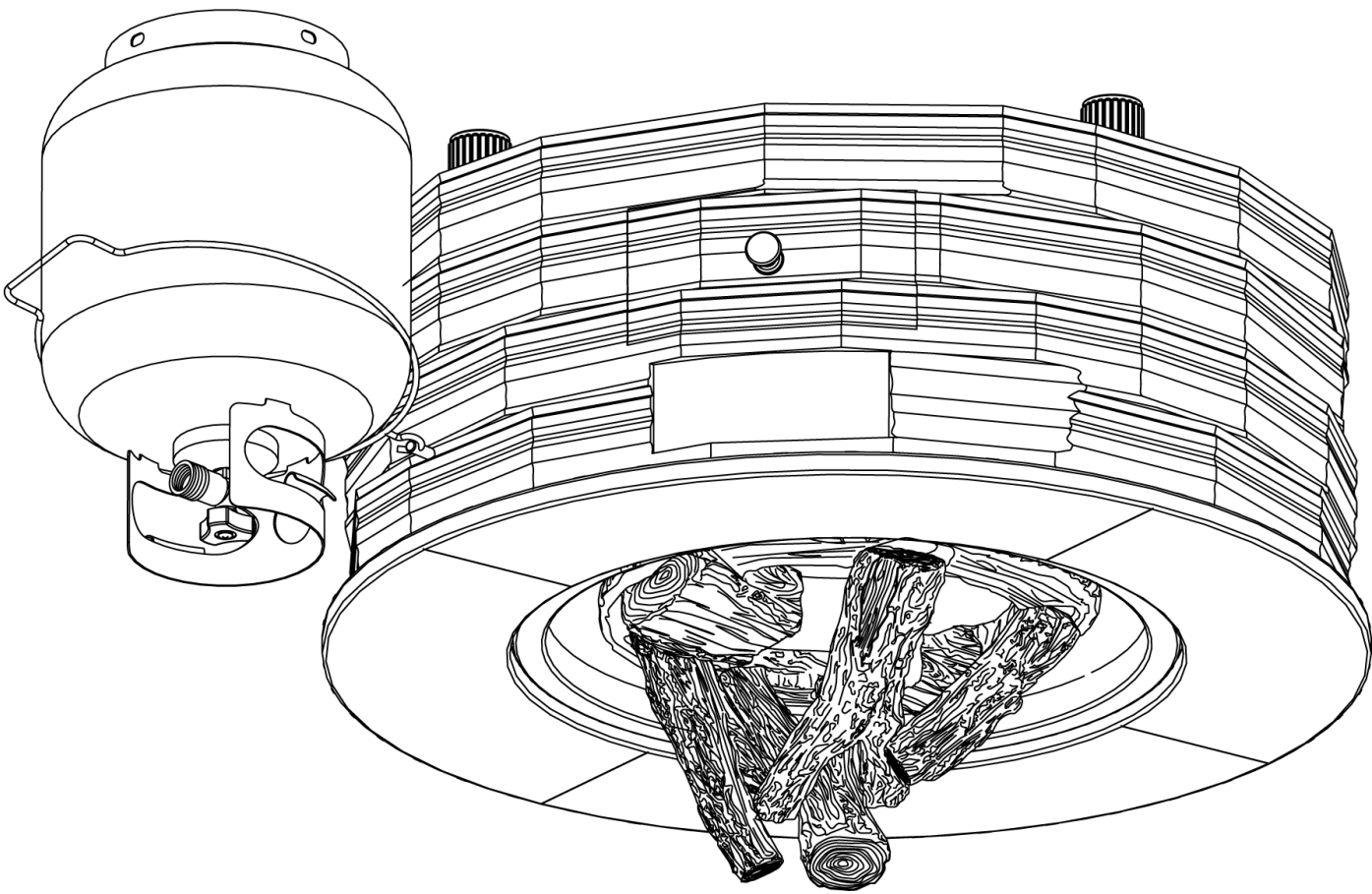
▲ **PELIGRO:** El no seguir las llamadas de peligro, de advertencia y de precaución contenidas en este manual puede resultar en serias lesiones personales y aún mortales, o en un incendio o una explosión que puede causar daños a la propiedad.

▲ ADVERTENCIA:

- ▲ Esta unidad es para ser usada al aire libre únicamente y NO debe usarse en un edificio, garaje o cualquier otra área cerrada.
- ▲ NO opere, encienda o use esta unidad a menos de 2,43 m de paredes estructuras o edificaciones.
- ▲ NO use este hogar para exteriores adentro para calentar el ambiente. Los gases TÓXICOS de monóxido de carbono pueden acumularse y provocar la asfixia.
- ▲ Este hogar para exteriores NO ha sido diseñado para uso comercial.
- ▲ Este hogar para exteriores utiliza únicamente gas de propano líquido para combustible. El convertir o tratar de convertir este hogar de gas propano líquido para ser usada con gas natural es peligroso e invalida la garantía de la unidad.
- ▲ Características del propano líquido (PL):
 - a. El propano es inflamable y resulta peligroso si se manipula inadecuadamente. Antes de utilizar cualquier producto que emplee propano líquido, estudie detenidamente sus características.
 - b. El propano es un gas explosivo bajo presión, más denso que el aire y se asienta en pozos en zonas bajas.
 - c. En su estado natural, el propano no tiene ningún olor. Para su seguridad, se añade una esencia odorífera que huele a col podrida.
 - d. El contacto directo con el propano líquido puede causar quemaduras frías en la piel.
- ▲ Se requiere un tanque de gas propano para hacer funcionar este aparato. Únicamente tanques marcados "Propano" pueden usarse en esta unidad.
- a. El tanque de gas propano líquido (PL) debe estar fabricado y comercializado según las *Especificaciones para tanques de gas PL del Departamento de Transporte (DOT) de EE.UU. o del Estándar nacional de Canadá, CAN/CSA-B339 sobre tanques, esteras y tubos para el transporte de mercancías peligrosas; y la comisión.*
- b. Verifique que el tanque de gas cuenta con mecanismo de extracción de vapor.
- c. El tanque de gas propano líquido debe tener un dispositivo que evite el sobrellenado del tanque (OPD) y una válvula QCCI o una conexión Typo I (CGA810) de tanque de gas propano líquido.
- d. No utilice nunca un tanque de propano líquido si el cuerpo no tiene cuello para proteger la válvula.
- e. No utilice nunca un tanque de propano líquido si el cuerpo, la válvula, el cuello o el anillo inferior presentan algún daño.
- f. Los tanques de propano líquido abollados u oxidados pueden ser peligrosos y deberían ser revisados por su proveedor de gas PL antes de utilizarlos.
- g. No deje caer el tanque de gas propano líquido ni lo maneje bruscamente.
- h. Los tanques deben almacenarse en exteriores, en un lugar al aire libre siempre fuera del alcance de los niños y nunca en un garaje, edificio o espacio cerrado. Nunca almacene tanques de gas en un lugar en el que la temperatura supere los 125°F (51,5°C).
- i. No ponga nunca un tanque de gas propano lleno en un carro o camioneta calientes. El calor podría hacer que la presión del gas aumentase, lo que abriría la válvula de seguridad y haría que se escapase el gas.
- ¡. Ponga la tapa contra el polvo en la válvula de salida del tanque cuando no lo esté usando. Únicamente use la tapa contra el polvo que viene con la válvula del tanque. Otros tipos de tapones o tapas pueden crear fugas de propano.
- k. Nunca guarde un tanque adicional de propano debajo o cerca de esta unidad.
- l. Nunca llene el tanque más allá de 80% de su capacidad.
- ▲ Todas las conexiones de gas de su hogar para exteriores han sido verificadas en fábrica en cuanto a fugas de gas. Sin embargo, pruebe la integridad de todas las conexiones ya que el movimiento en transporte puede aflojar algunas de ellas.
- ▲ Verifique que no haya fugas aún si el aparato ha sido armado por otra persona.
- ▲ No opere la unidad si hay una fuga de gas. Las fugas de gas pueden provocar un fuego o una explosión.
- ▲ Antes de operar esta unidad, debe observar todos los procedimientos para verificar que no hay fugas de gas. Para evitar cualquier riesgo de fuego o de explosión al comprobar si hay fugas:
 - a. Compruebe siempre si hay fugas antes de encender el hogar, cada vez que el tanque de gas está conectado.
 - b. No fume. No use o permita fuentes de ignición en el área al comprobar si hay fugas.
 - c. Siempre compruebe si hay fugas en exteriores donde hay una buena ventilación.
 - d. No use cerillas o fósforos, encendedores o una llama para comprobar si hay fugas.
 - e. No use el hogar para exteriores hasta que todas las fugas hayan sido reparadas. Si no puede parar una fuga, desconecte el tanque de propano. Llame a un técnico o a su proveedor de propano local.
 - ▲ No guarde o use gasolina u otros líquidos o vapores inflamables a menos de 7,62 m (25 pies) de esta unidad.
 - ▲ No utilice el equipo en una atmósfera explosiva. Mantenga la zona del hogar para exteriores libre de materiales combustibles, gasolina y cualquier otro vapor o líquido inflamable.
 - ▲ Este hogar para exteriores NO debe ser usado por los niños.
 - ▲ NO instale o utilice este hogar para exteriores en embarcaciones o vehículos de recreo.
 - ▲ Observe siempre y use la unidad cumpliendo todos los códigos de incendio aplicables, locales y nacionales. Obtenga de su Departamento de Incendios local detalles en cuanto a quemas al aire libre.
 - ▲ Al usar este hogar para exteriores, observe las mismas precauciones que merece cualquier fuego abierto.
- ▲ El uso de bebidas alcohólicas, medicamentos o drogas de farmacia puede afectar la habilidad del usuario para armar debidamente u operar en forma segura este hogar para exteriores.
- ▲ NO encienda este hogar para exteriores sin haber leído completamente el "Manual del usuario".
- ▲ NO quemar en este hogar para exteriores materiales combustibles sólidos tales como madera, briquetas de carbón de leña, carbón de leña, leños manufacturados, madera flotante, basura, hojas, papel, cartón, madera contra chapada, madera pintada, barnizada o tratada a presión.
- ▲ Es fundamental mantener limpio el compartimiento de la válvula del hogar para exteriores, los quemadores y los conductos de aire circulante. Inspeccione el hogar para exteriores antes de cada uso.
- ▲ NO altere el hogar para exteriores de ninguna forma.
- ▲ NO utilice el hogar para exteriores a menos que esté COMPLETAMENTE montado y que todas las piezas estén bien fijadas y apretadas.
- ▲ NO use o guarde un tanque de gas propano líquido en un radio inferior a 10 pies (3,05 metros) de este hogar para exteriores.
- ▲ NO use este hogar para exteriores cerca de automóviles, camiones, furgones o vehículos de recreo.
- ▲ NO utilice esta unidad en una atmósfera explosiva. escoja una zona para el hogar al aire libre alejada de materiales combustibles, gasolina y cualquier otro vapor o líquido inflamable.
- ▲ Coloque siempre el hogar para exteriores al aire libre sobre superficies firmes y niveladas no combustibles tales como las de hormigón, ladrillo o piedra. Una superficie de asfalto o de pavimento puede que no sea adecuada para este propósito.
- ▲ NO use el hogar para exteriores sobre plataformas y terrazas de madera.
- ▲ NO use este hogar para exteriores si cualquiera de sus partes ha estado bajo el agua. Si este es el caso, llame inmediatamente a un técnico calificado de servicio para que examine la unidad y reemplace cualquier parte, control del sistema o cualquier control de gas que haya estado bajo el agua.
- ▲ NO vista ropa inflamable o suelta cuando usa el hogar para exteriores.
- ▲ NO utilice el hogar para exteriores si hace mucho viento.
- ▲ NO use este hogar para exteriores a menos que el quemador y el conjunto de leños de cerámica estén colocados en su lugar y asegurados correctamente.
- ▲ Mantenga todos los cables eléctricos lejos de un hogar para exteriores caliente.
- ▲ Cuando el hogar para exteriores se usa, las superficies estarán calientes. NO toque el hogar para exteriores hasta que no se haya enfriado completamente para evitar quemaduras, a menos que usted tenga puestos elementos de protección tales como guantes o almohadilla para las ollas, manoplas, guantes de barbacoa, etc.
- ▲ NO deje un hogar para exteriores encendido sin vigilancia, especialmente si hay niños o mascotas presentes.
- ▲ NO trate de mover o guardar este hogar para exteriores antes de que todas sus partes se hayan enfriado.
- ▲ NO se apoye sobre el hogar para exteriores cuando lo está encendiendo o usando.
- ▲ Este hogar de gas debe limpiarse y verificarse completamente de manera regular.
- ▲ Este hogar de gas debe limpiarse y verificarse completamente de manera regular.
- ▲ Limpie y revise la manguera antes de cada uso del aparato. Si detecta alguna señal de abrasión, desgaste, cortes o fugas, deberá sustituir la manguera antes poner en marcha el aparato.
- ▲ Utilice únicamente el regulador y el conjunto de manguera incluido. El regulador de repuesto y el conjunto de manguera de repuesto serán los especificados por el fabricante.
- ▲ Use únicamente piezas autorizadas de fábrica de Blue Rhino Global Sourcing, LLC. El uso de cualquier pieza NO autorizada de fábrica puede ser peligroso y su uso invalida su garantía.
- ▲ El almacenamiento del hogar para exteriores en un espacio cerrado sólo está permitido si el tanque está desconectado, desmontado del aparato y guardado al aire libre.
- ▲ NO trate de desconectar el regulador de gas del tanque, o cualquier otro accesorio de la línea de gas, mientras esté usando el hogar para exteriores.
- ▲ Si el hogar para exteriores no se está usando, el gas debe cerrarse en el tanque de suministro.
- ▲ La presión del regulador se ha fijado a una presión de 10,5 pulgadas (26,6 cm) de columna de agua.
- ▲ La presión máxima de entrada de gas para este hogar para exteriores es de una presión de 11 pulgadas (27,9 cm) de columna de agua.
- ▲ No se sienta en el reborde del hogar para exteriores cuando la unidad está en funcionamiento.
- ▲ No tire ningún objeto al fuego cuando la unidad está en funcionamiento.
- ▲ Los leños de cerámica se calientan mucho, mantenga alejados y a una distancia segura tanto a niños como a mascotas.
- ▲ NO guarde ningún material combustible en la base.

Hogar de propano para exteriores

Modelo n° GAF720W



Índice

Peligros y advertencias.....Página 2

Diagrama de explosión..... 3

Instrucciones de armado..... 4

Instalación del tanque de gas propano líquido..... 5

Inserte el tanque de propano..... 5

Asegure el tanque de propano..... 5

Conecte el tanque de propano..... 5

Desconecte el tanque de propano..... 5

Instrucciones de operación..... 6

Encendido..... 6

Apagado..... 6

Limpieza y cuidado..... 6

Inspección..... 6

Limpieza..... 6

Almacenamiento..... 6

Registro del producto..... 6

Garantía limitada..... 6

Resolución de problemas..... 7

El uso e instalación de este producto ha de realizarse de acuerdo con los códigos locales. Si existen códigos locales, use las normas siguientes: *Código nacional para gas y combustibles, ANSI Z223.1/NFPA 54, CAN/CGA-B149.1, Código de instalación de propano y gas natural.*

Para instalaciones en el Canadá - estas instrucciones, aunque generalmente aceptables, no cumplen necesariamente con los códigos de instalación Canadienses, especialmente en lo que se refiere a tuberías subterráneas o de superficie. En el Canadá, la instalación de esta unidad debe cumplir con los códigos locales y con la especificación estándar CAN/CGA B149.1 (Código de instalación para aparatos y equipos con llama de gas propano).

Proposición 65 de California: La combustión del propano crea productos químicos considerados por el Estado de California como causantes de cáncer, malformaciones congénitas u otros daños reproductivos.

Fabricado en China para:

Blue Rhino Global Sourcing, LLC

1 Winston-Salem, NC EE.UU.

1.800.762.1142, www.bluerhino.com

© 2006 Blue Rhino Global Sourcing, LLC. Todos los derechos reservados.

UniFlame® es una marca registrada de Blue Rhino Global Sourcing, LLC. Todos los derechos reservados.



- ▲ El no seguir exactamente las instrucciones de este manual puede producir un incendio o una explosión con daños a la propiedad, lesiones serias y hasta fatales.
- ▲ No guarde o use gasolina u otros líquidos o vapores inflamables en la vecindad de esta unidad o de cualquier otro aparato.
- ▲ **QUE HACER SI PERCIBE OLOR A GAS:**
 - No trate de encender ningún aparato.
 - No toque ningún interruptor eléctrico ni use ningún teléfono en su edificio.
 - Llame inmediatamente a la compañía de gas desde un teléfono vecino.
 - Siga las instrucciones que le da la compañía de gas.
 - Si no puede ponerse en contacto con la compañía de gas, llame al departamento de incendios.
- ▲ La instalación y el servicio de la unidad deben ser hechos por un instalador calificado, una agencia de servicio o una compañía de suministro de gas.
- ▲ Una instalación, ajuste, alteración, reparación o mantenimiento inadecuados pueden causar lesiones o daños a la propiedad.
- ▲ Lea atentamente las instrucciones de instalación, operación y mantenimiento del equipo antes de instalarlo, ponerlo en marcha o darle servicio.
- ▲ Conserve estas instrucciones para futuras consultas. Si esta montando esta unidad para otra persona, entregue este manual para futuras consultas.

ADVERTENCIA
PARA SU SEGURIDAD:



Solamente para uso en exteriores
(fuera de cualquier recinto)
No use esta unidad para cocinar adentro

ADVERTENCIA
PARA SU SEGURIDAD:



Free Manuals Download Website

<http://myh66.com>

<http://usermanuals.us>

<http://www.somanuals.com>

<http://www.4manuals.cc>

<http://www.manual-lib.com>

<http://www.404manual.com>

<http://www.luxmanual.com>

<http://aubethermostatmanual.com>

Golf course search by state

<http://golfingnear.com>

Email search by domain

<http://emailbydomain.com>

Auto manuals search

<http://auto.somanuals.com>

TV manuals search

<http://tv.somanuals.com>