



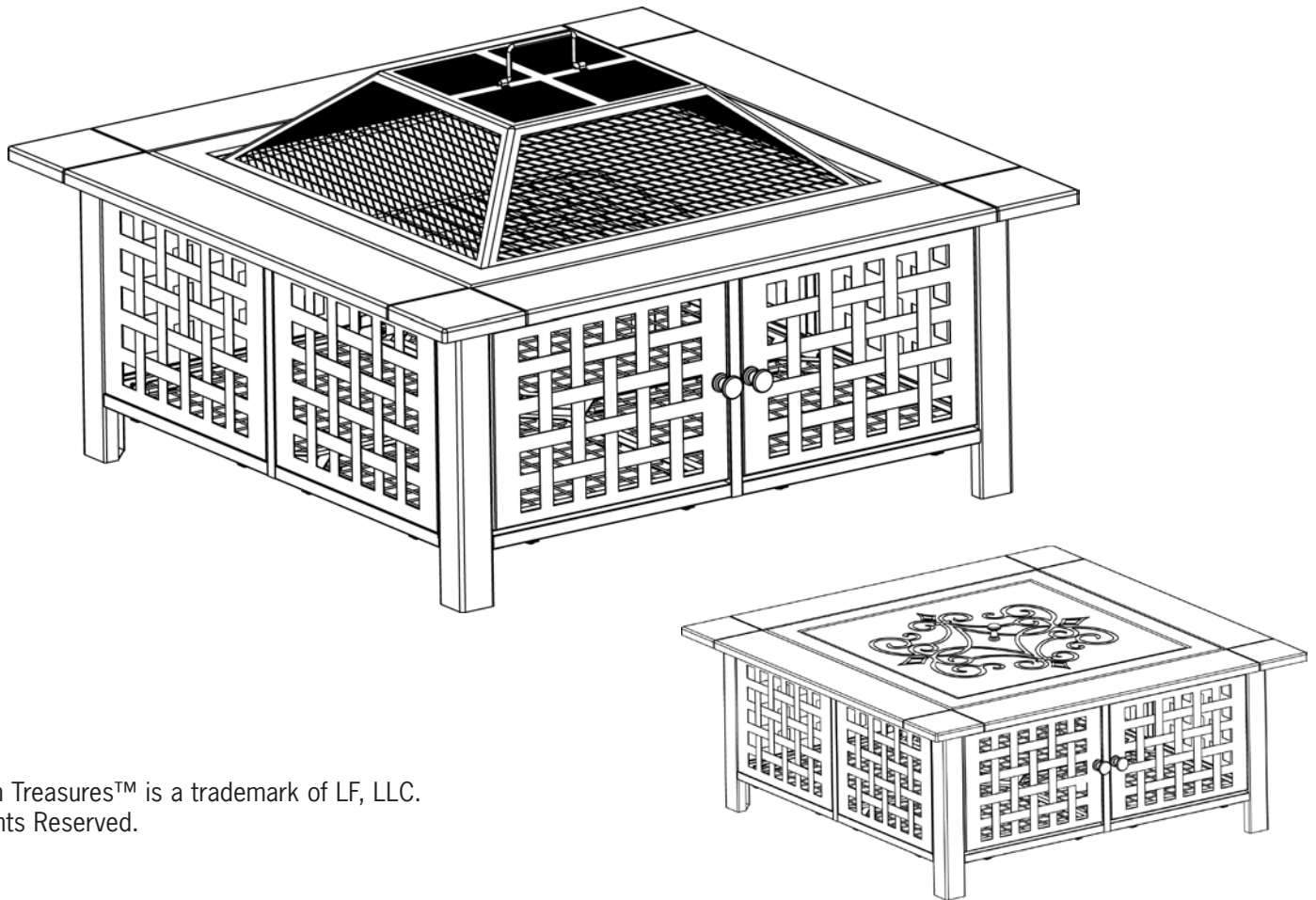
ITEM/ARTICLE/ARTICULO #256797

GRANITE OUTDOOR FIREPLACE FOYER D'EXTÉRIEUR EN GRANITE BRASERO DE GRANITO PARA EXTERIORES

(page 12)

(página 23)

MODEL/MODÈLE/MODELO #WAD8160L



Garden Treasures™ is a trademark of LF, LLC.
All Rights Reserved.

WARNING

1. For Outdoor Use Only (outside any enclosure).
2. Improper installation, adjustment, alteration, service or maintenance can cause injury or property damage.
3. Read the installation, operation, and maintenance instructions thoroughly before installing or servicing this equipment.
4. Failure to follow these instructions could result in fire or explosion, which could cause property damage, personal injury, or death.
5. Save these instructions for future reference. If you are assembling this unit for someone else, give this manual to him or her to read and save for future reference.



Questions, problems, missing parts? Before returning to your retailer, call our customer service department at 1.800.762.1142, 9 a.m. – 5 p.m., EST, Monday – Sunday, customerservice@bluerhino.com

WAD8160L-OM-106 EFS

TABLE OF CONTENTS

Product Registration	2
Safety Information	3
Package Contents	5
Preparation	5
Assembly Instructions	6
Operating Instructions	10
Lighting	10
Tending the Fire	10
Extinguishing	10
Cleaning and Care	10
Inspecting	10
Cleaning	10
Storing	11
Limited Warranty	11
Replacement Parts	11

PRODUCT REGISTRATION

For faster warranty service, please register your product immediately at www.bluerhino.com or call 1.800.762.1142.

SAFETY INFORMATION

Please read and understand this entire manual before attempting to assemble, operate or install the product. If you have any questions regarding the product please call customer service at: 1.800.762.1142, 9 a.m. – 5 p.m., EST, Monday – Sunday, customerservice@bluerhino.com

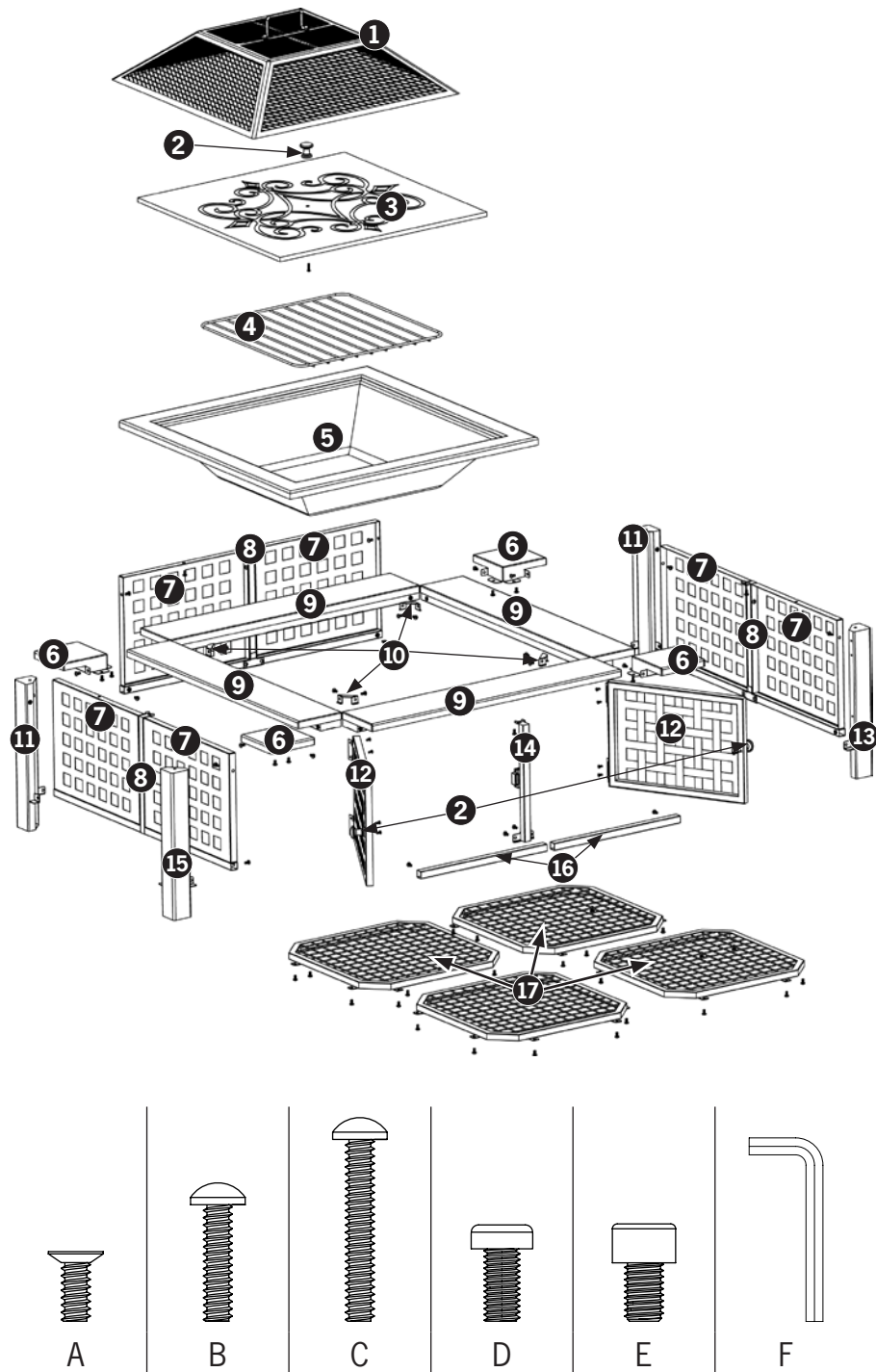
WARNING:

1. This appliance is for outdoor use only, and shall NOT be used in a building, garage, or any other enclosed area.
2. Do NOT operate, light or use this appliance within 8 feet of walls, structures or buildings.
3. Do NOT use this outdoor fireplace without a 36 inch clearance from combustible objects.
4. Do NOT use this outdoor fireplace for indoor heating. TOXIC carbon monoxide fumes can accumulate and cause asphyxiation.
5. This outdoor fireplace is NOT for commercial use.
6. This outdoor fireplace is NOT to be operated by children.
7. This outdoor fireplace is NOT to be used in or on boats or recreational vehicles.
8. Always use in accordance with all applicable local, state and national codes. Contact your local fire department for details on outdoor burning.
9. When using this outdoor fireplace, exercise the same precautions you would with any open fire.
10. The use of alcohol, prescription or non-prescription drugs may impair the consumer's ability to properly assemble or safely operate this outdoor fireplace.
11. Do NOT use this outdoor fireplace without reading the entire "Owner's Manual".
12. This outdoor fireplace is for use with dry, seasoned hardwood. It will burn hotter, more completely and create less smoke.
13. Do NOT burn charcoal briquets, lump charcoal, manufactured logs, driftwood, trash, leaves, paper, cardboard, plywood, painted or stained or pressure treated wood. Avoid using softwoods such as pine or cedar that can throw sparks.
14. Do NOT alter this outdoor fireplace in any manner.
15. Do NOT use this outdoor fireplace until it is COMPLETELY assembled and all parts are securely fastened and tightened.
16. Do NOT store or use gasoline or other flammable vapors or liquids in the vicinity of this or any other appliance.
17. Do NOT store or use an LP gas cylinder within 10 feet (3.05 m) of this outdoor fireplace while it is in operation.
18. Do NOT use this outdoor fireplace near automobiles, trucks, vans or recreational vehicles.
19. Do NOT use in an explosive atmosphere. Keep outdoor fireplace area clear and free from combustible materials, gasoline and other flammable liquids.
20. Do NOT use this outdoor fireplace under any overhead or near any unprotected combustible constructions. Avoid using near or under overhanging trees and shrubs.
21. Always use this outdoor fireplace on a hard, level non-combustible surface such a concrete, rock or stone. An asphalt or blacktop surface may not be acceptable for this purpose. Do NOT use on wooden decks.
22. Always empty this outdoor fireplace before each use.
23. Do NOT wear flammable or loose clothing when operating this outdoor fireplace.
24. Do NOT use in windy conditions.
25. Do NOT use this outdoor fireplace unless spark guards are securely in place.
26. Do NOT use gasoline, kerosene, diesel fuel, lighter fluid or alcohol to light or relight fires.
27. Keep all electrical cords away from a hot fireplace.
28. All surfaces of this outdoor fireplace are hot when in operation. To avoid burns, do NOT touch fireplace until it has completely cooled unless you are wearing protective gear (Potholders, gloves, BBQ mittens, hot pads & etc.). Never touch ashes or coals to see if they are hot.

29. Do NOT leave a lit outdoor fireplace unattended, especially around children and pets.
30. Do NOT attempt to move or store this outdoor fireplace until all ashes and coals are completely extinguished.
31. Do NOT remove ashes or coals until they are completely and fully extinguished.
32. Use heat-resistant gloves or hot pads when contacting handles.
33. Use long, sturdy fireplace tools when adding or moving logs.
34. Do NOT place wood directly into bottom of the outdoor fireplace. Place wood only on the wood grid.
35. Do NOT overload the fireplace. Do not add additional firewood until the fire burns down. NOTICE: If any portion of the bowl, lid or spark guards of this outdoor fireplace are glowing red it is overloaded.
36. Do NOT lean over this outdoor fireplace when lighting or when in use.
37. Do NOT place a hot spark guard or hot fireplace tools onto combustible surfaces such as grass, wooden deck or furniture.
38. Avoid breathing smoke from the fire and avoid getting it into your eyes.
39. This outdoor fireplace should be thoroughly inspected and cleaned on a regular basis.
40. After a period of storage and/or non-use, check for signs of damage and creosote build-up. Do NOT operate until necessary repairs and/or cleanup are executed.
41. Use only Blue Rhino Global Sourcing, LLC factory authorized parts. The use of any part that is NOT factory authorized can be dangerous and will void your warranty. Contact 1.800.762.1142.
42. Deaths, serious injury or damage to property may occur if the above is not followed exactly.

PACKAGE CONTENTS

Part	Description	Qty	Reorder #
1	Spark Guard	1	55-05-521
2	Knob	3	55-05-523
3	Table Insert	1	55-05-522
4	Wood Grate	1	55-05-524
5	Bottom Bowl	1	55-05-503
6	Hearth Corner	4	55-05-510
7	Side Panel	6	55-05-519
8	Side Panel Support	3	55-05-520
9	Hearth	4	55-05-508
10	Hearth Bracket	4	55-05-509
11	Rear Leg	2	55-05-513
12	Door	2	55-05-504
13	Right Front Leg	1	55-05-514
14	Door Support	1	55-05-506
15	Left Front Leg	1	55-05-511
16	Door Frame Support	2	55-05-505
17	Base Panel	4	55-05-501
18	Cover (not shown)	1	55-05-738
19	Poker (not shown)	1	55-05-739
A	Screw M4x8 Black Nickel Plated	8	55-05-517
B	Screw M4x16 Black Nickel Plated	1	55-05-515
C	Screw M4x25 Black Nickel Plated	2	55-05-516
D	Screw M5x10 Black Nickel Plated	74	55-05-518
E	Bolt M5x10 Black Nickel Plated	4	55-05-502
F	Allen Wrench M5	1	55-05-500



PREPARATION

Before beginning assembly of product, make sure all parts are present. Compare parts with package contents list and diagram above. If any part is missing or damaged, do not attempt to assemble, install or operate the product. Contact customer service for replacement parts.

Estimated Assembly Time: 45 minutes

Tools Required for Assembly: Allen Wrench (included)

Helpful Tools: Phillips Screwdriver (not included)

ASSEMBLY INSTRUCTIONS

1. Attach hearth corners using 16 screws "D".

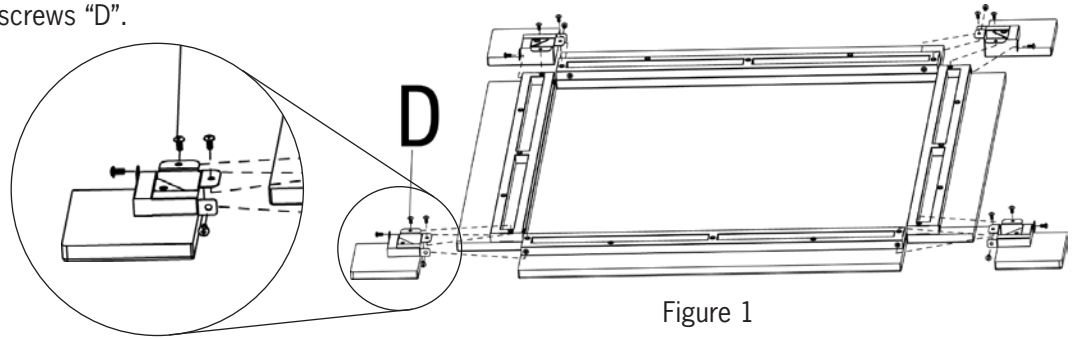


Figure 1

2. Attach hearth brackets using 8 screws "D".

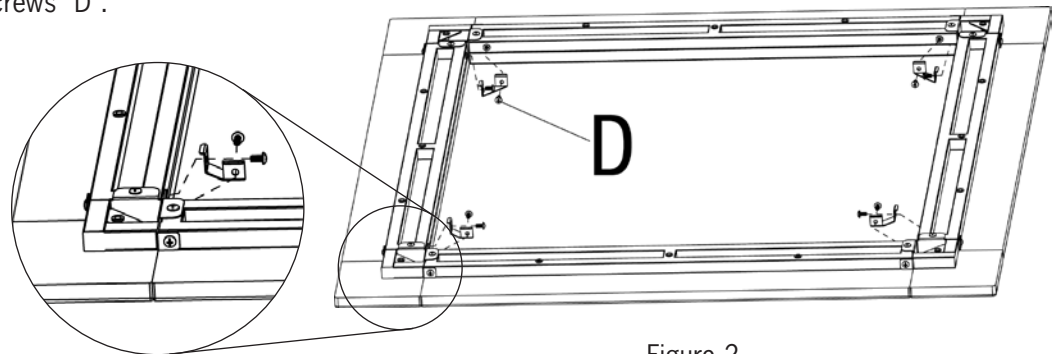


Figure 2

3. Attach side panels, side panel support, left front leg, and left rear leg, using 7 screws "D" and 2 bolts "E".

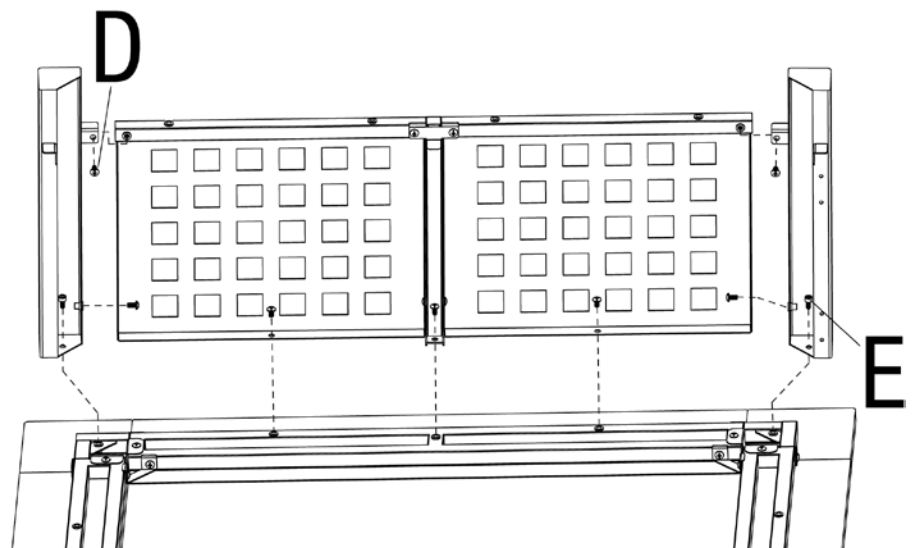


Figure 3

4. Attach side panels, side panel support, and right rear leg, using 7 screws “D” and 1 bolt “E”.

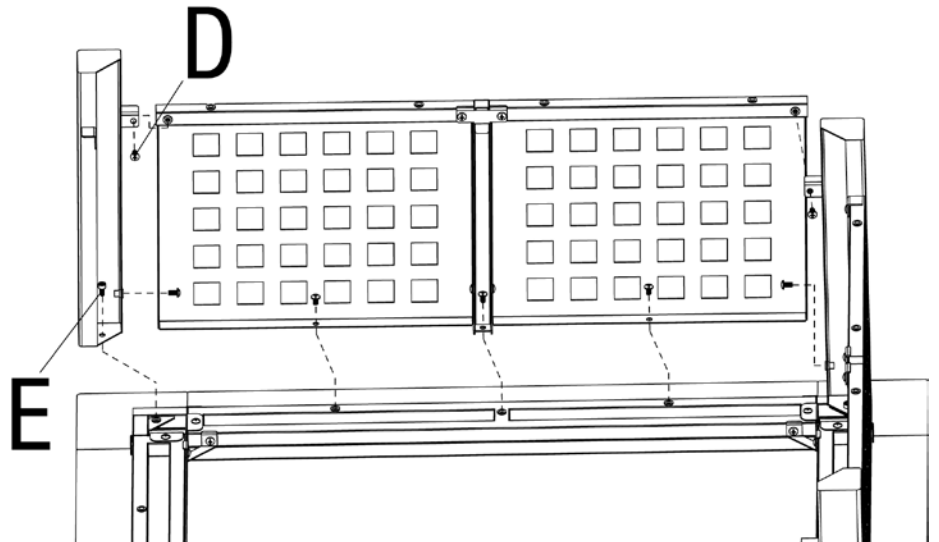


Figure 4

5. Attach side panels, side panel support, and right front leg, using 7 screws “D” and 1 bolts “E”.

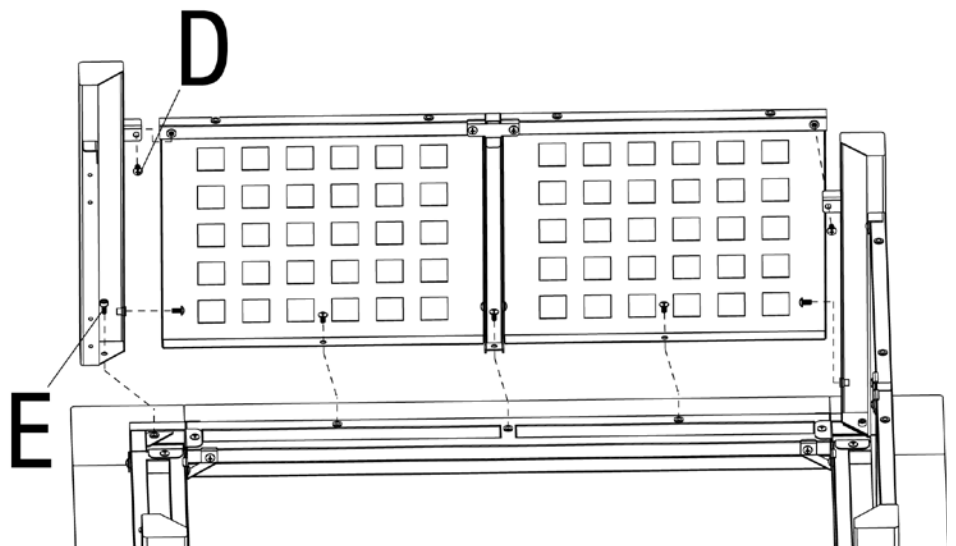


Figure 5

6. Attach door frame supports and door support using 5 screws “D”.

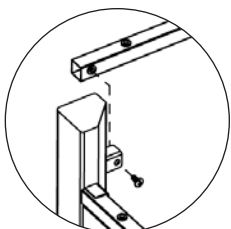


Figure 6a

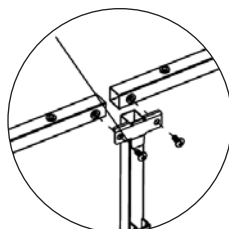


Figure 6b

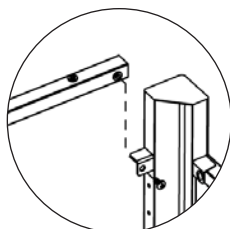


Figure 6c

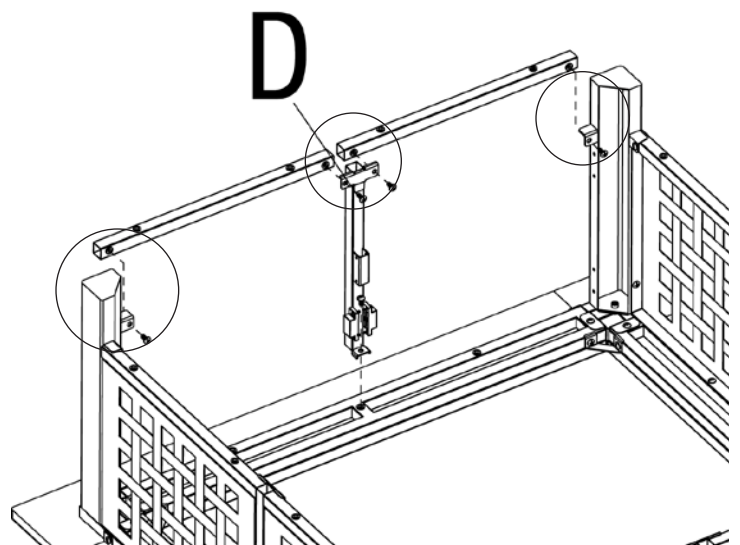


Figure 6

7. Attach base panel using 8 screws "D".

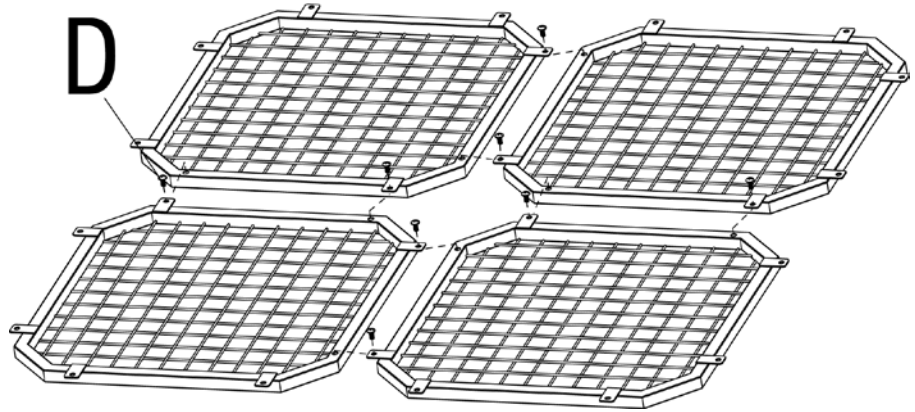


Figure 7

8. Attach base panel assembly using 16 screws "D".

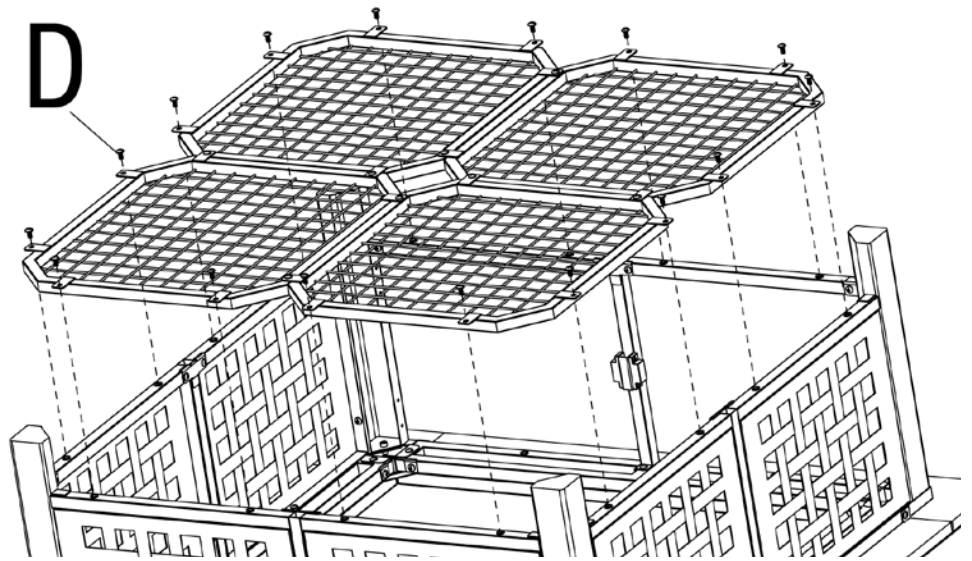


Figure 8

9. Attach doors and knobs using 8 screws "A" and 2 screws "C".

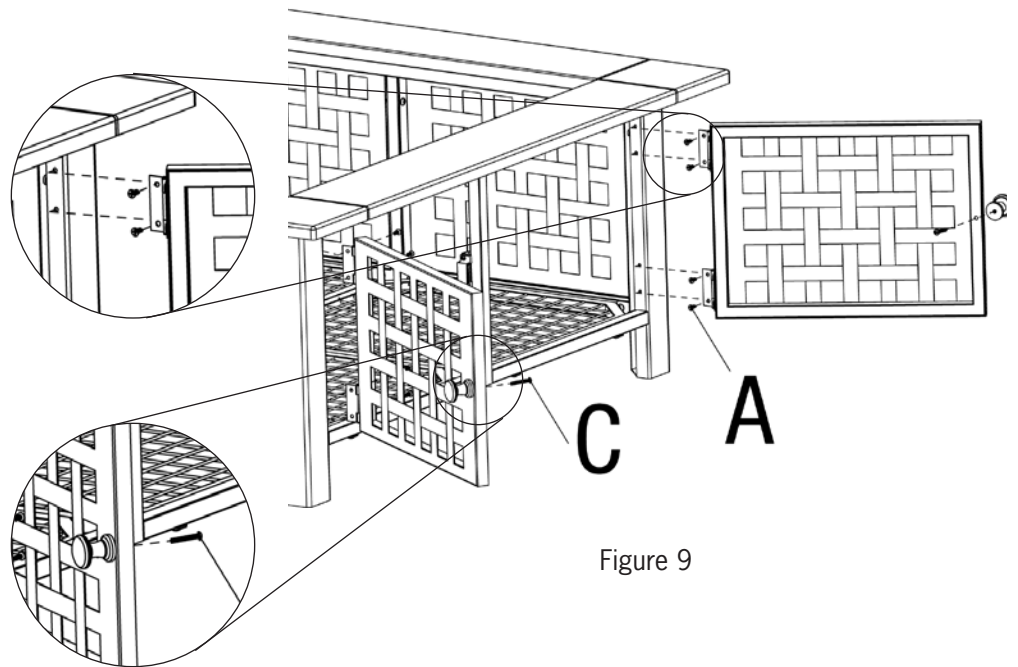


Figure 9

10. Insert bottom bowl, wood grate and spark guard.

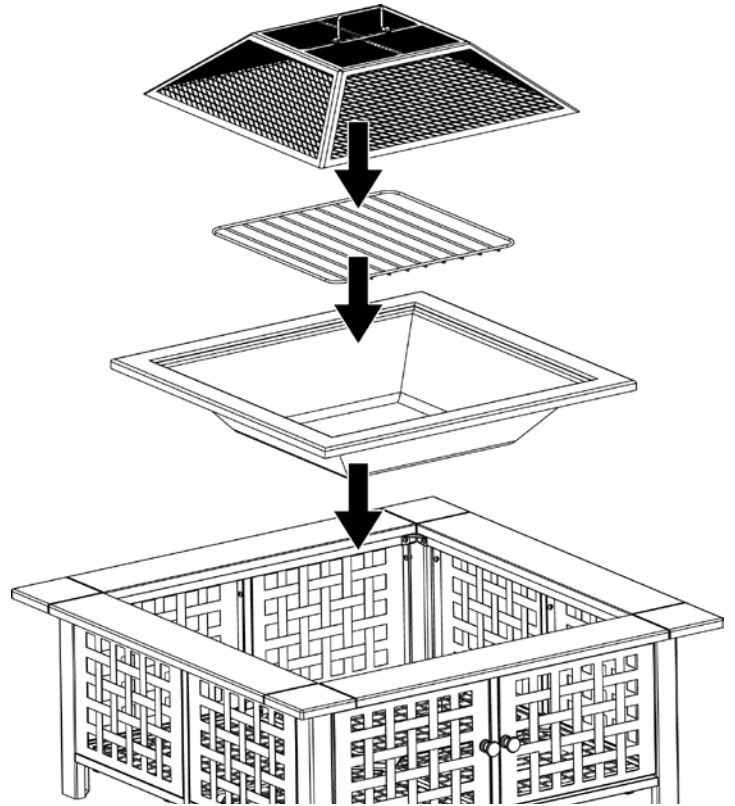


Figure 10

11. Attach knob using screw “B” to table insert.

Note: When table insert is not being used, store in a cool dry place where it will not be damaged.

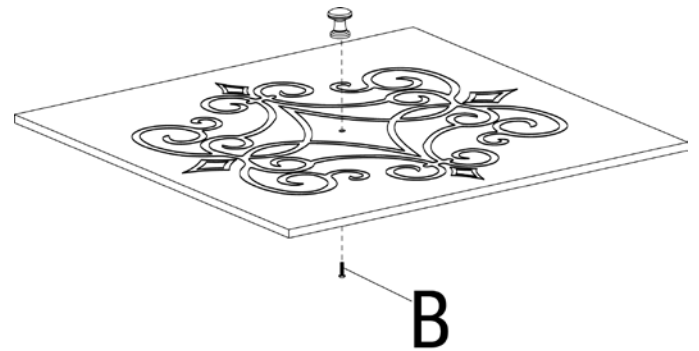


Figure 11

When using table insert, remove spark guard and place table insert onto bottom bowl.

Note: When spark guard is not being used, store in a cool dry place where it will not be damaged.

⚠ WARNING: Do NOT place table insert onto the bottom bowl until fire is completely out and the fireplace is cool.

⚠ WARNING: Do NOT place a hot spark guard or hot fireplace tools onto combustible surfaces such as grass, wooden deck or furniture.

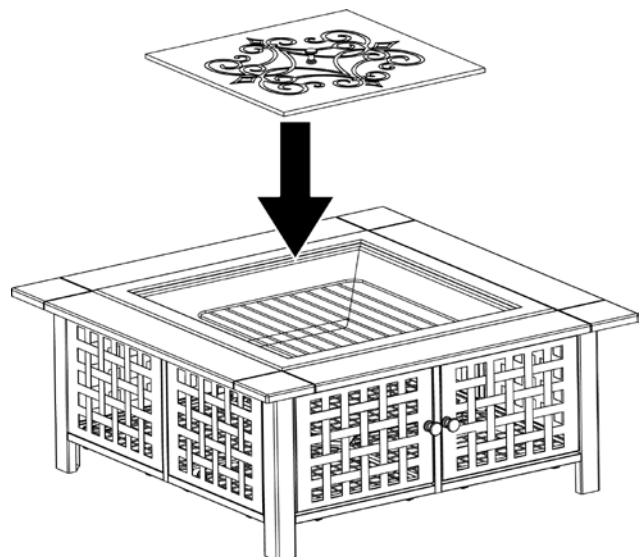


Figure 12

OPERATING INSTRUCTIONS

⚠ WARNING: Before using this outdoor fireplace, make sure you have read, understand and are following all information provided in the Important Safeguards presented on page 3 and 4. Failure to follow those instructions can cause death, serious injury or property damage.

Lighting

1. Make sure there is only a small amount of ash in the bottom of the bowl.
2. Place a layer of dry kindling or a natural firestarter such as Fatwood™ onto the center of the grate.
3. Place above that a layer of dry seasoned hardwood that is cut to lengths no more than 3/4 the diameter of the bowl.
4. Use a match to light kindling or firestarter.
5. Using the poker provided and heat-resistant gloves, replace spark guard once the kindling or firestarter is lit.

The poker provided may become hot during use and may remain hot after use.

Tending the Fire

You may need to shift and/or add logs for an ideal experience.

Do NOT place a hot spark guard or hot fireplace tools onto combustible surfaces such as grass, wooden deck or furniture.

The poker provided may become hot during use and may remain hot after use.

Do NOT leave hot spark guard, poker, or other hot fireplace tools unattended, especially around children and pets.

1. Using the poker provided and heat-resistant gloves, carefully remove spark guard.
2. While using the poker provided and heat-resistant gloves, shift coals and logs to allow additional airflow.
3. Do NOT add gasoline, kerosene, diesel fuel, lighter fluid or alcohol to relight or enhance an existing fire.
4. Wait until glowing coals have developed before adding any additional wood. If additional wood is required, place wood on top coals. Be careful not to shift ashes.
5. Using the poker provided and heat-resistant gloves, replace spark guard.

Extinguishing

1. Allow fire to burn itself out.
2. Do NOT use water to extinguish as this is dangerous and can cause damage to this outdoor fireplace.

CLEAN AND CARE

Inspecting

This outdoor fireplace should be inspected on a regular basis to ensure product safety and longer product life.

Do NOT attempt to inspect this outdoor fireplace until the fire is COMPLETELY out.

1. Check handles to make sure they are secure.
2. Check components for any signs of damage or rust.
3. If damage to any component is detected, do NOT operate until repairs are executed.

Cleaning

This outdoor fireplace should be cleaned on a regular basis to promote safer experiences and longer product life.

Note: After repeated use, a slight discoloration of the finish may occur.

Do NOT attempt to clean this outdoor fireplace until the fire is COMPLETELY out.

Do NOT use oven cleaner or abrasive cleaners as they will damage this product.

Do NOT clean any part of this outdoor fireplace in a self cleaning oven as it may damage the finish.

1. Wipe exterior surfaces with a mild dishwashing detergent or baking soda.
2. For stubborn surfaces use a citrus based degreaser and a nylon scrubbing brush.
3. Rinse clean with water.
4. Remove built-up creosote from components with a chimney cleaning product.

Storage

Do NOT move or store this outdoor fireplace until the fire is COMPLETELY out.

1. Once the fire is out, coals are cold and outdoor fireplace is cool to the touch, remove ashes and properly dispose.
2. Cover outdoor fireplace with a durable vinyl cover designed to fit this unit.
3. Store assembled in a location away from children and pets.

Note: If you do not use a cover, store this outdoor fireplace in a dry location to maximize product life.

WARRANTY

Blue Rhino Global Sourcing, LLC (“Vendor”) warrants to the original retail purchaser of this product, and to no other person, that if this product is assembled and operated in accordance with the printed instructions accompanying it, then for a period of one (1) year from the date of purchase, all parts in such product shall be free from defects in material and workmanship. Vendor may require reasonable proof of your date of purchase. Therefore, you should retain your sales slip or invoice. This Limited Warranty shall be limited to the repair or replacement of parts, which prove defective under normal use and service and which Vendor shall determine in its reasonable discretion upon examination to be defective. Before returning any parts, you should contact Vendor’s Customer Service Department using the contact information listed below. If Vendor confirms, after examination, a defect covered by this Limited Warranty in any returned part, and if Vendor approves the claim, Vendor will replace such defective part without charge. If you return defective parts, transportation charges must be prepaid by you. Vendor will return replacement parts to the original retail purchaser, freight or postage prepaid.

This Limited Warranty does not cover any failures or operating difficulties due to accident, abuse, misuse, alteration, misapplication, improper installation or improper maintenance or service by you or any third party, or failure to perform normal and routine maintenance on the product as set out in this owner’s manual. In addition, the Limited Warranty does not cover damage to the finish, such as scratches, dents, discoloration, rust or other weather damage, after purchase.

This Limited Warranty is in lieu of all other express warranties. Vendor disclaims all warranties for products that are purchased from sellers other than authorized retailers or distributors, including the warranty of merchantability or the warranty of fitness for a particular purpose. **VENDOR ALSO DISCLAIMS AND ANY ALL IMPLIED WARRANTIES, INCLUDING WITHOUT LIMITATION THE IMPLIED WARRANTIES OF MERCHANTABILITY AND FITNESS FOR A PARTICULAR PURPOSE. VENDOR SHALL HAVE NO LIABILITY TO PURCHASER OR ANY THIRD PARTY FOR ANY SPECIAL, INDIRECT, PUNITIVE, INCIDENTAL, OR CONSEQUENTIAL DAMAGES.** Vendor further disclaims any implied or express warranty of, and assumes no responsibility for, defects in workmanship caused by third parties.

This Limited Warranty gives the purchaser specific legal rights; a purchaser may have other rights depending upon where he or she lives. Some jurisdictions do not allow the exclusion or limitation of special, incidental or consequential damages, or limitations on how long a warranty lasts, so the above exclusion and limitations may not apply to everyone.

Vendor does not authorize any person or company to assume for it any other obligation or liability in connection with the sale, installation, use, removal, return, or replacement of its equipment, and no such representations are binding on Vendor.

Blue Rhino Global Sourcing, LLC
Winston-Salem, North Carolina USA
(800) 762-1142

REPLACEMENT PARTS

For replacement parts, please see “Package Contents” section (pg. 5), and call our customer service department at 1.800.762.1142, 9 a.m. – 5 p.m., EST, Monday – Sunday, customerservice@bluerhino.com

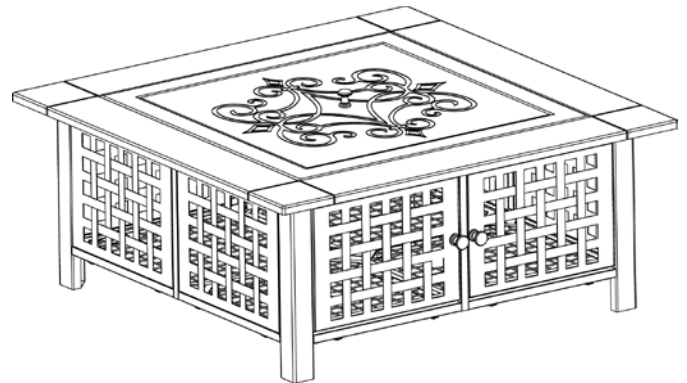
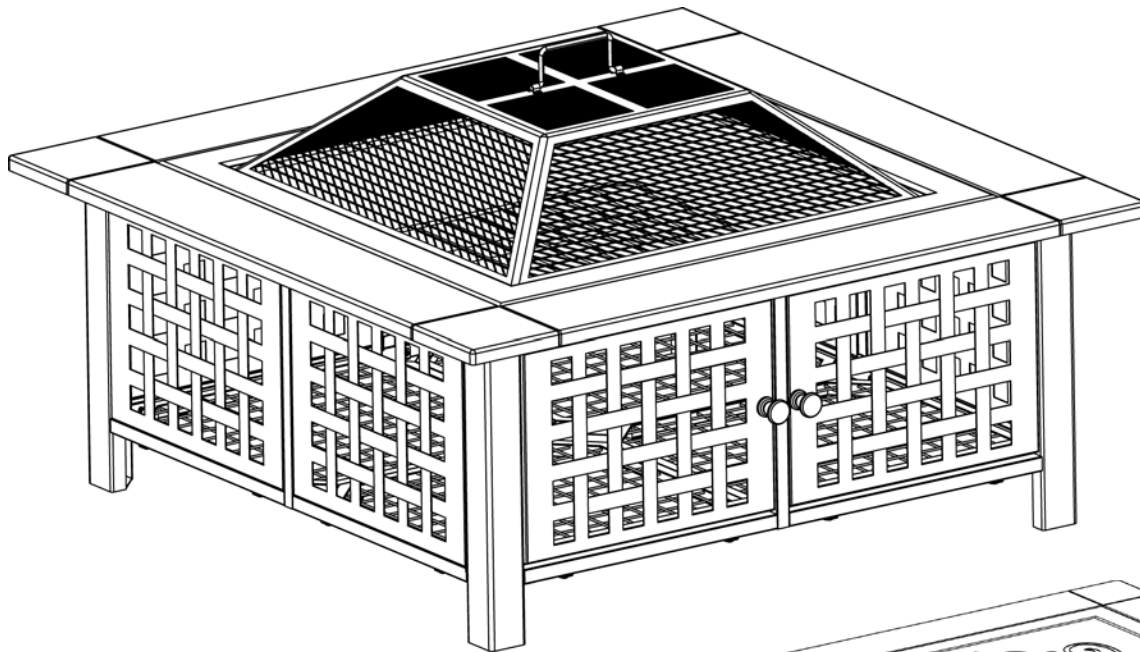


ITEM/ARTICLE/ARTICULO #256797

GRANITE OUTDOOR FIREPLACE FOYER D'EXTÉRIEUR EN GRANITE

BRASERO DE GRANITO PARA EXTERIORES

MODEL/MODÈLE/MODELO #WAD8160L



Garden Treasures™ est une marque déposée de LF, LLC. Tous droits réservés.

AVERTISSEMENT

1. Pour usage à l'extérieur seulement (hors de tout abri clos)
2. Toute installation défectueuse ou modification incorrecte ainsi que tout mauvais réglage ou entretien incorrect risque d'entraîner des blessures ou des dégâts matériels.
3. Lire complètement les instructions d'installation, d'utilisation et d'entretien avant de procéder à la maintenance de l'appareil ou de procéder à son entretien.
4. Le non-respect de ces consignes risque de provoquer un incendie ou une explosion et entraîner des dégâts matériels, des blessures graves voire la mort.
5. Conservez ces instructions afin de pouvoir les consulter ultérieurement. Si vous êtes en train d'assembler cet appareil pour une autre personne, veuillez lui fournir le manuel afin qu'elle puisse le lire et le consulter plus tard.



Vous avez des questions, des problèmes ou il vous manque des pièces? Avant de retourner au magasin, appelez notre service à la clientèle au 1.800.762.1142, de 9 h à 17 h, heure normale de l'Est, du lundi au vendredi ou contactez-nous par courriel à customerservice@bluerhino.com

TABLE DES MATIÈRES

Enregistrement du produit	13
Consignes de sécurité	14
Contenu du carton	16
Préparation	16
Directives d'assemblage	17
Utilisation.	21
Allumer le foyer d'extérieur.	21
Entretenir le feu.	21
Éteindre le foyer d'extérieur	21
Nettoyage et entretien	21
Inspection.	21
Nettoyage.	21
Entreposage	22
Garantie limitée	22
Pièces de rechange	22

ENREGISTREMENT DU PRODUIT

Pour bénéficier plus rapidement du service offert par la garantie, veuillez enregistrer cet article immédiatement sur le site internet www.bluerhino.com ou appelez le 1.800.762.1142.

CONSIGNES DE SÉCURITÉ

Veillez lire et comprendre ce manuel dans son intégralité avant de tenter d'assembler, d'utiliser ou d'installer cet article. Si vous avez des questions concernant cet article, veuillez appeler notre service à la clientèle au 1.800.762.1142, de 9 h à 17 h, heure normale de l'Est, du lundi au dimanche, ou contactez-nous par courriel au customerservice@bluerhino.com.

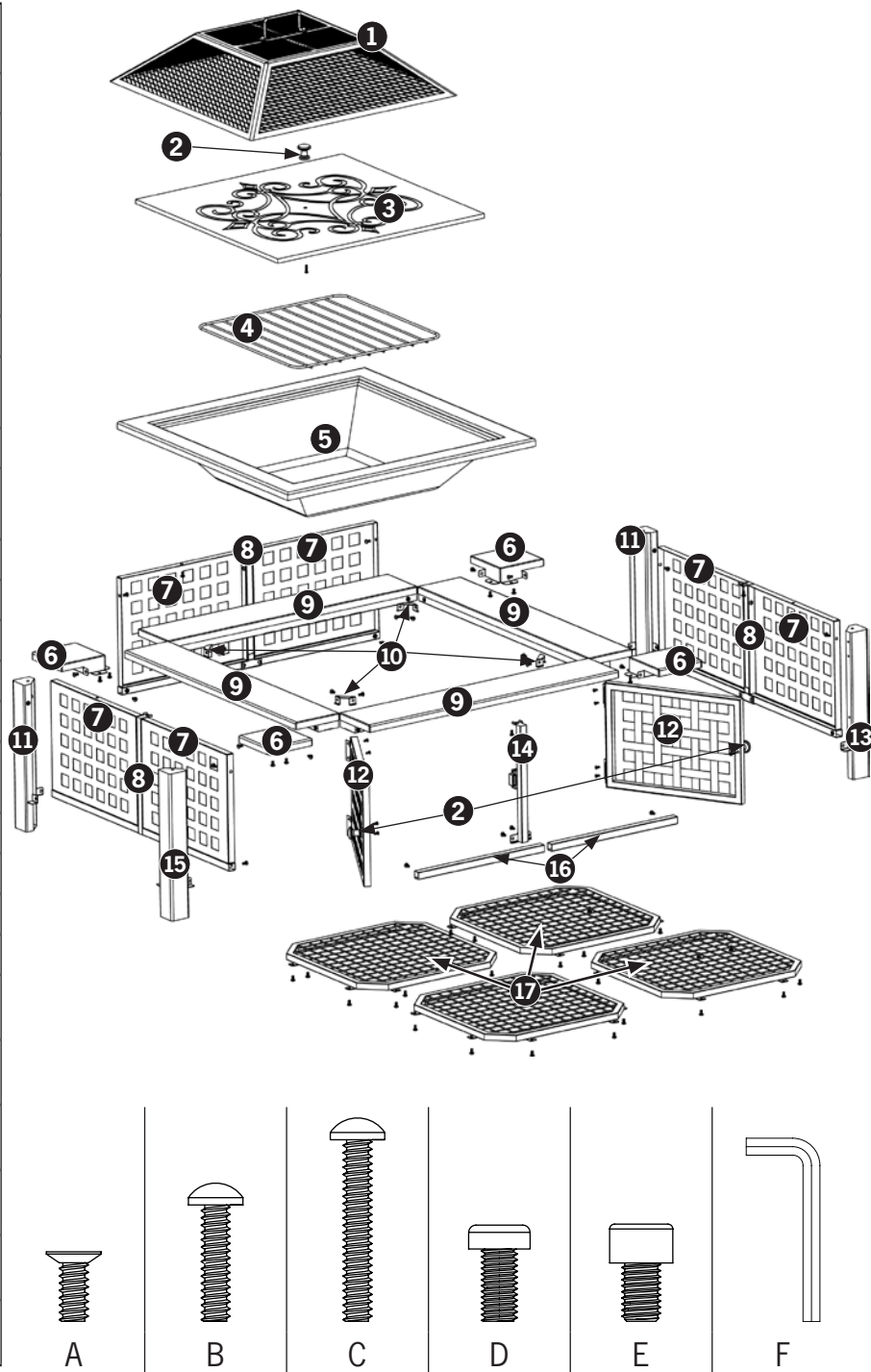
AVERTISSEMENT:

1. Ce foyer d'extérieur doit être utilisé uniquement à l'extérieur et ne doit PAS être utilisé dans un immeuble, un garage ou tout autre abri clos.
2. NE PAS utiliser ou allumer cet appareil à moins de 2,43 m de tout mur, construction ou bâtiment.
3. NE PAS utiliser ce foyer d'extérieur sans laisser un espace d'au moins 91 cm entre le foyer et toute matière combustible.
4. NE PAS utiliser le foyer d'extérieur pour se chauffer à l'intérieur d'une maison. Des émanations TOXIQUES de monoxyde de carbone peuvent s'accumuler et provoquer l'asphyxie.
5. Ce foyer d'extérieur N'est PAS destiné à un usage commercial.
6. Ce foyer d'extérieur NE doit PAS être utilisé par des enfants.
7. Ce foyer d'extérieur NE doit PAS être utilisé à bord d'un bateau ou d'un véhicule récréatif.
8. Veiller à toujours utiliser le foyer d'extérieur conformément aux codes locaux, aux codes de l'état ou de la province ainsi qu'aux codes nationaux. Contacter les pompiers et les services de lutte contre les incendies pour de plus amples informations concernant l'incinération à l'extérieur et la prévention des incendies.
9. Faire preuve des mêmes précautions qu'en présence d'un feu normal de plein air.
10. La prise d'alcool, de médicaments ou de drogues risque de nuire à l'aptitude de l'utilisateur à assembler ou à utiliser le foyer d'extérieur en toute sécurité.
11. NE PAS utiliser ce foyer d'extérieur avant de lire complètement les instructions du "manuel d'utilisation".
12. Veiller à toujours utiliser du bois sec avec ce foyer d'extérieur. En effet, le bois sec brûlera plus chaud et d'une manière plus complète en provoquant moins de fumée.
13. NE PAS utiliser le foyer afin de brûler des briquettes de charbon de bois, du charbon, des bûches artificielles en bois d'aggloméré, du bois ayant séjourné dans l'eau, des ordures, des feuilles, du papier, du carton ou du contreplaqué, du bois peint, du bois teint ou ayant été traité sous pression. Éviter d'utiliser du bois tendre tel que du pin car il risque de provoquer des étincelles.
14. NE modifier en aucune façon ce foyer d'extérieur.
15. NE PAS utiliser le foyer d'extérieur à moins qu'il ne soit complètement assemblé et que les pièces ne soient toutes fixées et serrées.
16. NE PAS utiliser ni entreposer d'essence ou de liquides et autres vapeurs inflammables à proximité de cet appareil ou de tout autre appareil.
17. NE PAS entreposer une bouteille de propane à moins de 10 pieds (3,05 mètres) du foyer d'extérieur lorsqu'il est utilisé.
18. NE PAS utiliser le foyer d'extérieur à proximité de voitures, camions, camionnettes ou véhicules récréatifs.
19. NE PAS utiliser le foyer d'extérieur en présence de vapeurs et émanations explosives. Veiller à ce que la zone autour du foyer demeure dégagée et dépourvue de matières combustibles, d'essence et d'autres liquides et vapeurs inflammables.
20. NE PAS utiliser ce foyer d'extérieur sous un abri, une structure suspendue ou en saillie ou à proximité de toute construction combustible non protégée. Éviter de l'utiliser à proximité ou sous des arbres ou des buissons.
21. Placer toujours le foyer d'extérieur sur une surface plane, dure et non combustible telle que du béton ou de la pierre. Il est déconseillé de le placer sur de l'asphalte ou du bitume. NE PAS le placer sur une terrasse en bois.
22. Vider toujours le foyer d'extérieur avant chaque utilisation.
23. NE PAS porter de vêtements inflammables ou amples en utilisant le foyer d'extérieur.
24. NE PAS utiliser le foyer d'extérieur lorsqu'il y a du vent.

25. **NE PAS** utiliser le foyer d'extérieur si les pare-étincelles ne sont pas correctement installés.
26. **NE PAS** utiliser de liquides inflammables tels que de l'essence, de l'alcool, du carburant diesel, du kérosène ou du liquide allume-barbecue pour allumer ou rallumer le feu.
27. Veiller à ce que les câbles et cordons électriques demeurent toujours loin du foyer d'extérieur lorsqu'il est chaud.
28. Toute la surface du foyer d'extérieur est chaude lorsqu'il fonctionne. Pour éviter tout risque de brûlure, **NE PAS** toucher le foyer d'extérieur avant qu'il n'ait complètement refroidi à moins de porter des vêtements de protection (gants, maniques, attirail de barbecue, etc.). Ne jamais toucher les cendres ni les braises afin de vérifier si elles sont chaudes.
29. Ne jamais laisser un foyer d'extérieur allumé sans surveillance surtout si des enfants ou des animaux domestiques ou de compagnie sont à proximité.
30. **NE PAS** tenter de déplacer ou de remiser le foyer d'extérieur avant que les cendres ou les braises ne soient complètement éteintes.
31. **NE PAS** retirer les cendres ni les braises avant qu'elles ne soient complètement éteintes.
32. Utiliser des gants résistants à la chaleur ou des maniques pour saisir les poignées.
33. Utiliser des accessoires de foyer ou de cheminée longs et résistants pour ajouter ou déplacer des bûches.
34. **NE PAS** placer le bois directement dans le fond du foyer d'extérieur. Placer le bois uniquement sur la plaque ou la grille réservée à cet effet.
35. **NE PAS** trop charger le foyer. Ne pas rajouter de bois avant que le feu n'ait diminué. **AVIS:** Si une partie quelconque du fond du foyer, du couvercle ou des pare-étincelles est rougeoyante, le foyer est trop chargé.
36. **NE PAS** se pencher au-dessus du foyer d'extérieur pour l'allumer ou s'il est déjà allumé.
37. **NE PAS** placer un pare-étincelles chaud ou un accessoire de foyer chaud sur une surface combustible telle que de l'herbe, le plancher d'une terrasse en bois ou sur un meuble.
38. Éviter de respirer la fumée du foyer d'extérieur et éviter tout contact avec les yeux.
39. Ce foyer d'extérieur doit être vérifié et nettoyé en entier régulièrement.
40. Après une période de remisage ou si le foyer d'extérieur n'a pas été utilisé pour une certaine période, s'assurer que le foyer n'est pas endommagé et ne présente pas de traces de créosote. **NE PAS** utiliser le foyer d'extérieur s'il s'avère nécessaire de le réparer ou de le nettoyer.
41. Utiliser uniquement des pièces agréées de l'usine Blue Rhino Global Sourcing, LLC. L'emploi de toute pièce non agréée peut être dangereuse et entraînera l'annulation de la garantie.
42. Les consignes ci-dessus doivent être strictement respectées et le non-respect de ces consignes risque de provoquer des dégâts matériels ou d'entraîner des blessures graves voire la mort.

CONTENU DU CARTON

Pièce	Description	Qté	N° de commande
1	Pare-étincelles	1	55-05-521
2	Bouton	3	55-05-523
3	Plaque de table	1	55-05-522
4	Grille à bois	1	55-05-524
5	Cuve	1	55-05-503
6	Coin de l'âtre	4	55-05-510
7	Panneau latéral	6	55-05-519
8	Support du panneau latéral	3	55-05-520
9	Plaque de l'âtre	4	55-05-508
10	Support des plaques de l'âtre	4	55-05-509
11	Pied arrière	2	55-05-513
12	Porte	2	55-05-504
13	Pied avant droit	1	55-05-514
14	Support de porte	1	55-05-506
15	Pied avant gauche	1	55-05-511
16	Support du cadre de porte	2	55-05-505
17	Panneau de fond	4	55-05-501
18	Housse (non illustrée)	1	55-05-738
19	Tisonnier (non illustré)	1	55-05-739
A	Vis Noire, niquelée, M4x8	8	55-05-517
B	Vis Noire, niquelée, M4x16	1	55-05-515
C	Vis Noire, niquelée, M4x25	2	55-05-516
D	Vis Noire, niquelée, M5x10	74	55-05-518
E	Boulon Noire, niquelée, M5x10	4	55-05-502
F	Clé hexagonale Allen M5	1	55-05-500



PRÉPARATION

Avant de commencer à assembler cet article, assurez-vous qu'aucune pièce n'est manquante. Comparez les pièces en votre possession et les pièces figurant sur la liste du contenu du carton et du schéma précédent. Si une pièce quelconque s'avère endommagée ou manquante, ne tentez pas d'assembler, d'installer ou d'utiliser cet article. Contactez le service à la clientèle afin d'obtenir les pièces de rechange nécessaires.

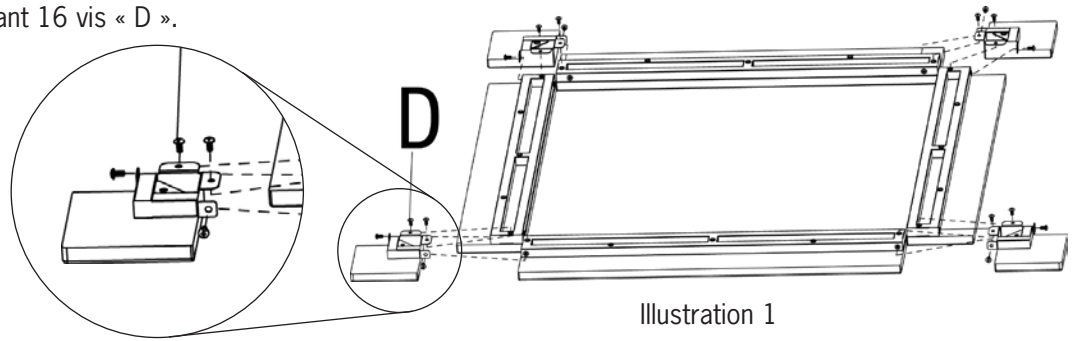
Temps d'assemblage approximatif: 45 minutes

Outils nécessaires pour l'assemblage: une clé Allen (fournie)

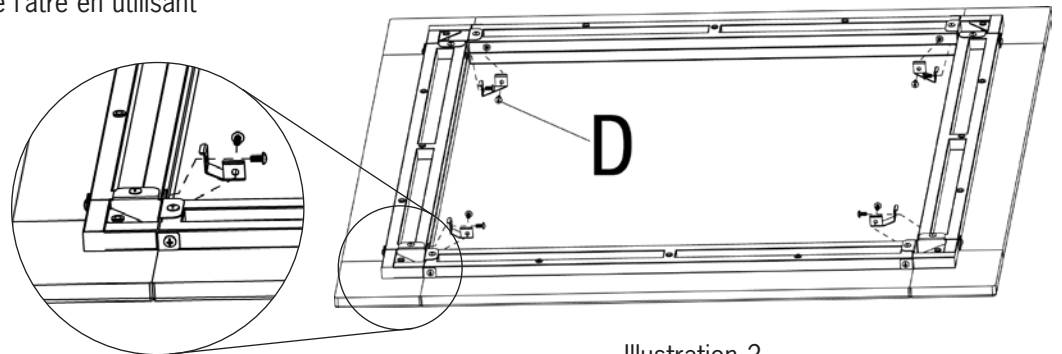
Outils utiles : un tournevis (non fourni)

DIRECTIVES D'ASSEMBLAGE

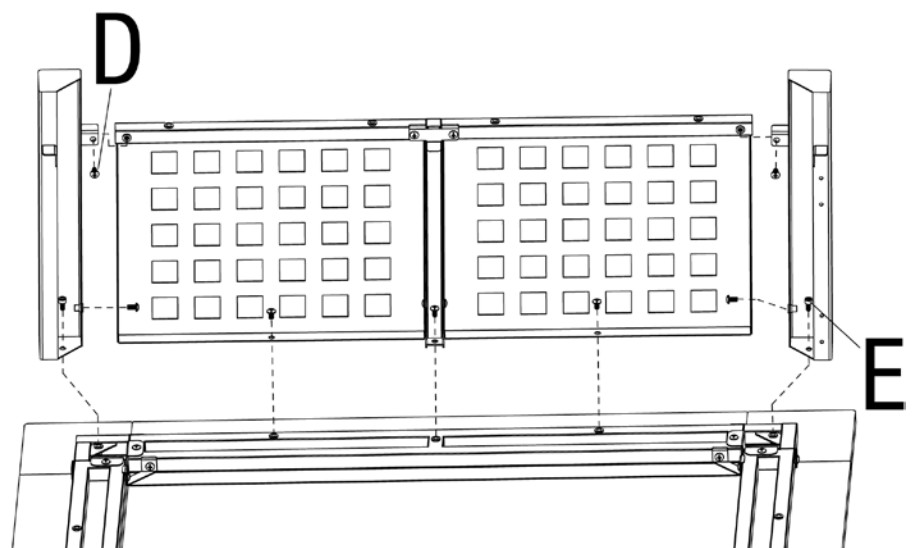
1. Fixez les coins de l'âtre en utilisant 16 vis « D ».



2. Fixez les supports des plaques de l'âtre en utilisant 8 vis « D ».



3. Fixez les panneaux latéraux, le support des panneaux latéraux, le pied avant gauche et le pied arrière gauche en utilisant 7 vis « D » et 2 boulons « E ».



4. Fixez les panneaux latéraux, le support des panneaux latéraux et le pied arrière droit en utilisant 7 vis « D » et 1 boulon « E ».

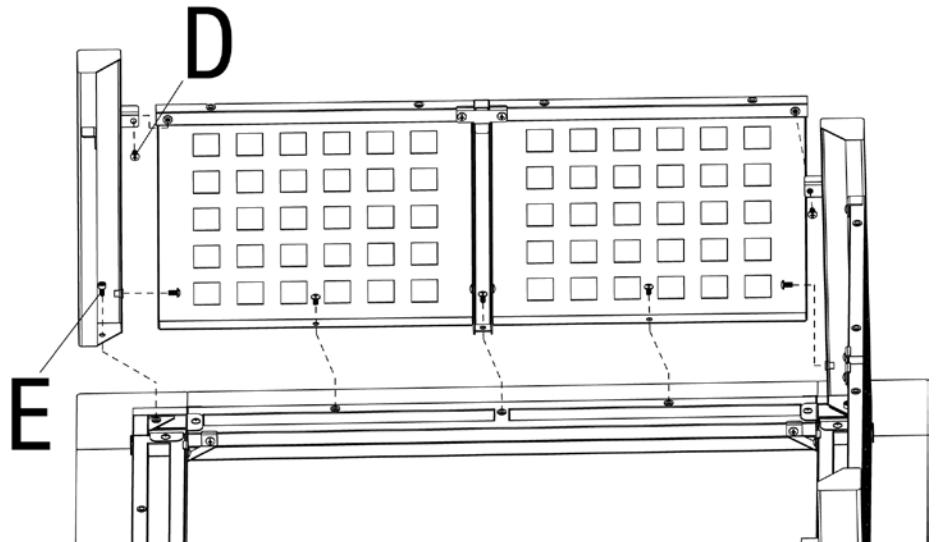


Illustration 4

5. Fixez les panneaux latéraux, le support des panneaux latéraux et le pied avant droit en utilisant 7 vis « D » et 1 boulon « E ».

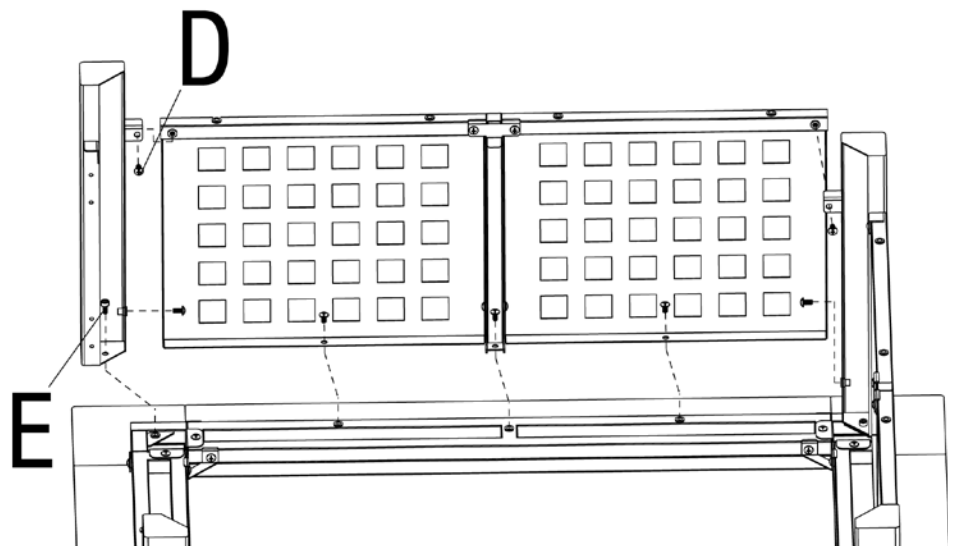


Illustration 5

6. Fixez les supports du cadre de porte et le support de porte en utilisant 5 vis « D ».

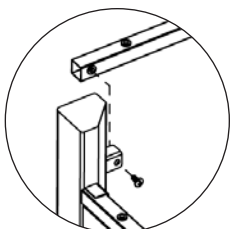


Illustration 6a

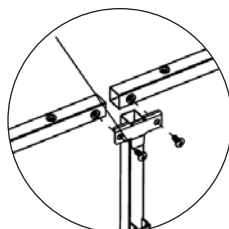


Illustration 6b

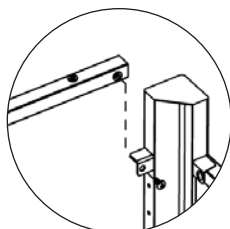


Illustration 6c

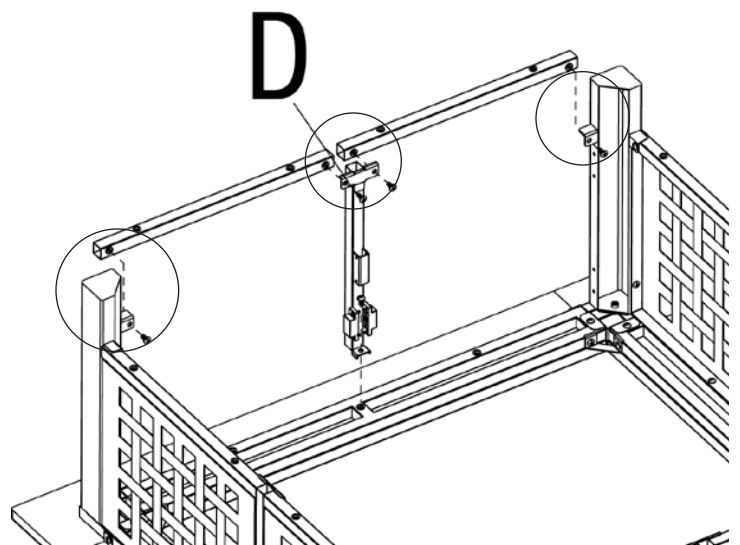


Illustration 6

7. Fixez le panneau de fond en utilisant 8 vis « D ».

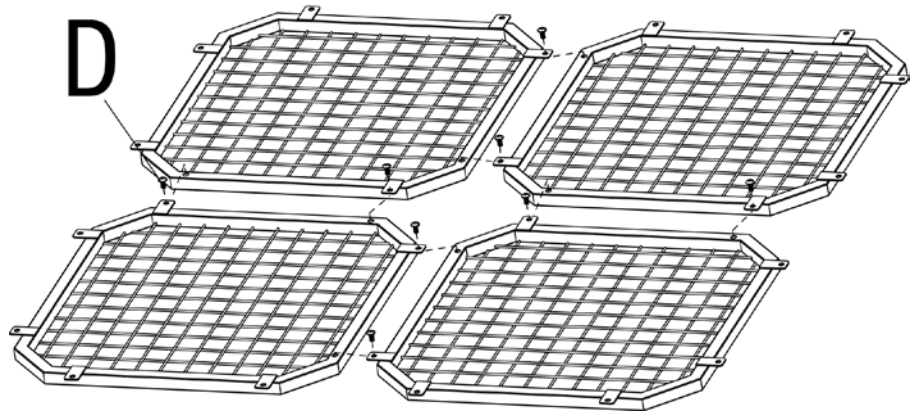


Illustration 7

8. Fixez le panneau de fond en utilisant 16 vis « D ».

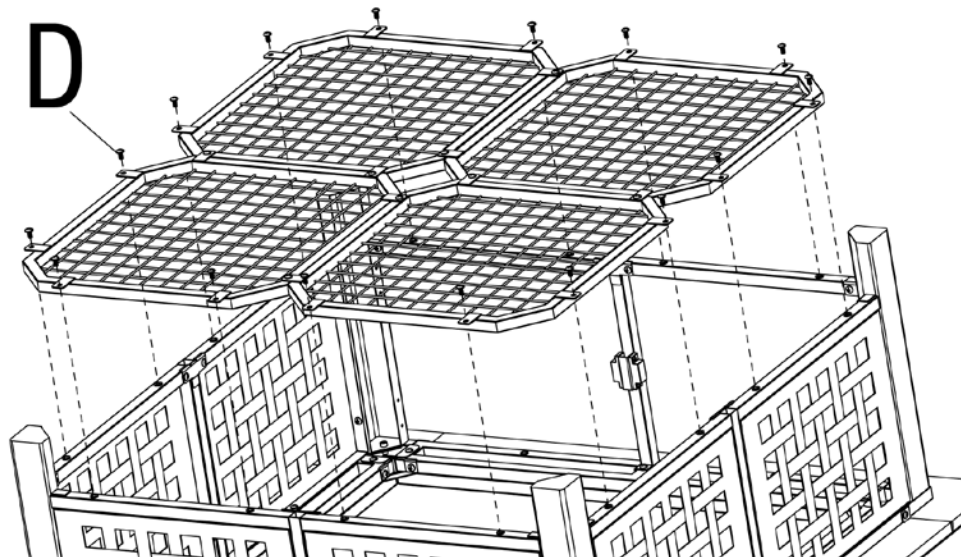


Illustration 8

9. Fixez les portes et les boutons de porte en utilisant 8 vis « A » et 2 vis « C ».

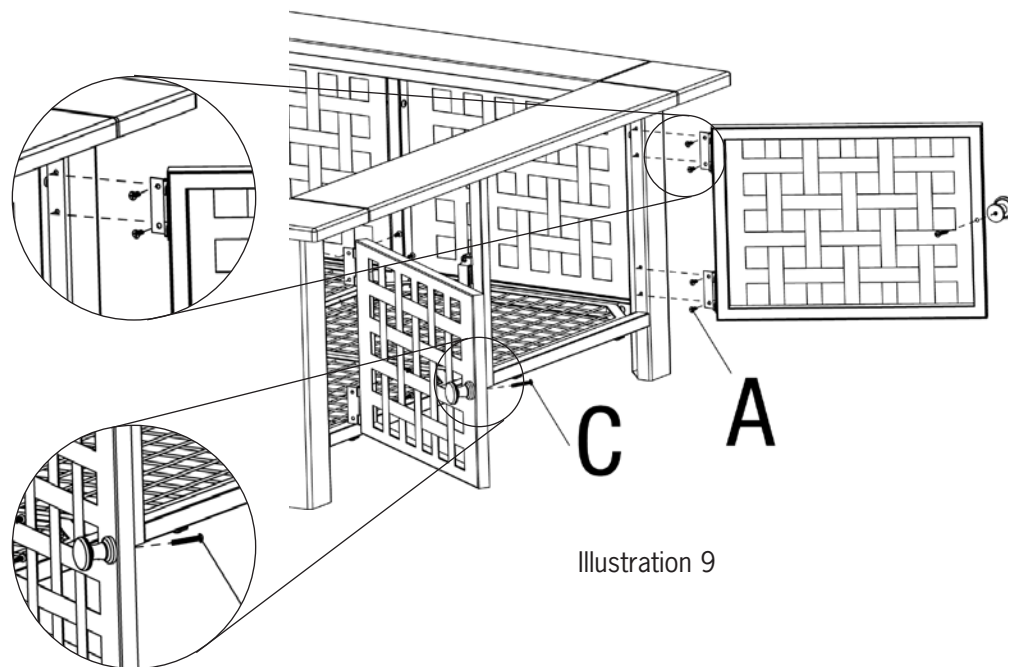


Illustration 9

10. Placez la cuve, la grille à bois et le pare-étincelles.

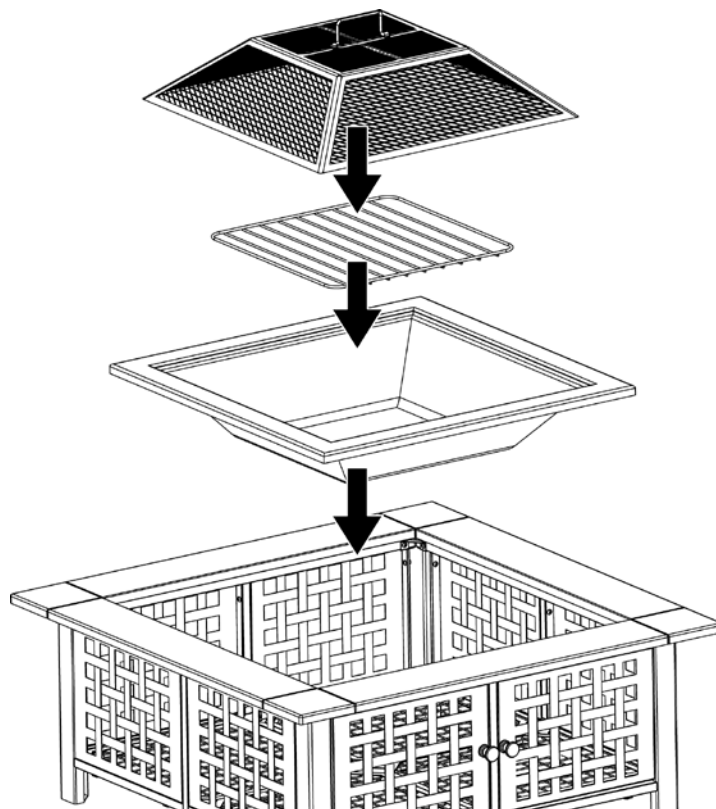


Illustration 10

11. Fixez la poignée en forme de bouton à la plaque qui servira de table en utilisant la vis « B ».

Remarque : lorsque vous n'utilisez pas la plaque de table, remisez-la dans un endroit frais et sec afin de ne pas l'endommager.

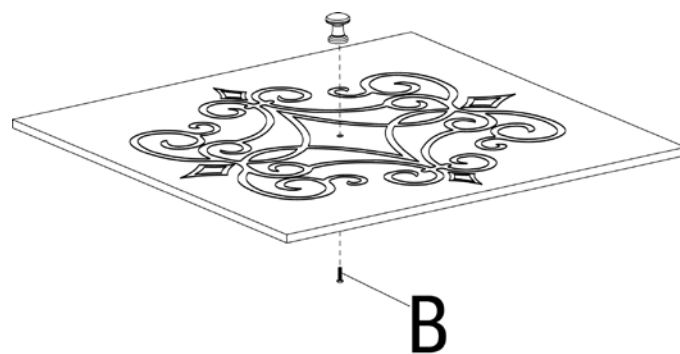


Illustration 11

Lorsque vous utilisez la plaque de table, retirez le pare-étincelles et placez la plaque sur le dessus de la cuve.

Remarque : lorsque vous n'utilisez pas le pare-étincelles, remisez-le dans un endroit frais et sec afin de ne pas l'endommager.

⚠ AVERTISSEMENT : NE PAS placer la plaque de table sur le dessus de la cuve si le feu n'est pas complètement éteint et si le foyer n'est pas froid au toucher.

⚠ AVERTISSEMENT : NE PAS placer un pare-étincelles chaud ou un accessoire de foyer chaud sur une surface combustible telle que de l'herbe, le plancher d'une terrasse en bois ou sur un meuble.

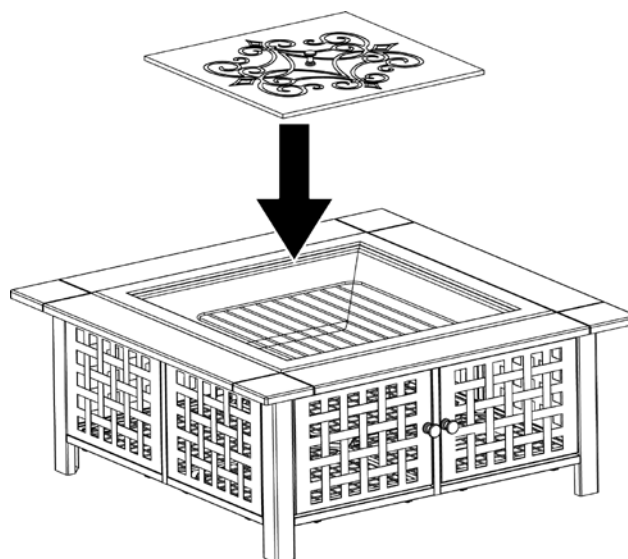


Illustration 12

UTILISATION

⚠ AVERTISSEMENT: Avant d'utiliser le foyer d'extérieur, veuillez lire, comprendre et suivre toutes les informations figurant dans les Consignes de sécurité de la pages 14 et 15. Le non-respect de ces consignes risque de provoquer des dégâts matériels, des blessures graves voire la mort.

Allumer le foyer d'extérieur

1. Assurez-vous qu'il ne reste qu'une petite quantité de cendre au fond de la cuve.
2. Placez une couche de brindilles sèches ou un allume-feu naturel tel que du Fatwood™ au centre de la grille.
3. Placez au-dessus de cette couche du bois sec dont la longueur ne dépassera pas les 3/4 de la longueur de la grille à bûches.
4. Utilisez une allumette pour mettre le feu aux brindilles ou à l'allume-feu.
5. À l'aide d'un crochet et en portant des gants de protection contre la chaleur, fermez le pare-étincelles une fois que les brindilles ou l'allume-feu se sont enflammés.

Le tisonnier qui est fourni avec le foyer risque de devenir très chaud lorsque vous l'utilisez et risque de demeurer chaud également après l'avoir utilisé.

Entretien le feu

Vous devrez probablement déplacer et/ou ajouter quelques bûches pour une chaleur optimale.

NE PAS placer un pare-étincelles chaud ou un accessoire de foyer chaud sur une surface combustible telle que de l'herbe, le plancher d'une terrasse en bois ou sur un meuble.

Le tisonnier qui est fourni avec le foyer risque de devenir très chaud lorsque vous l'utilisez et risque de demeurer chaud également après l'avoir utilisé.

NE PAS laisser un pare-étincelles chaud, un tisonnier ou tout autre accessoire de foyer chaud sans surveillance surtout lorsque des enfants et des animaux de compagnie se trouvent à proximité du foyer.

1. À l'aide d'un crochet et en portant des gants de protection contre la chaleur, ouvrez le pare-étincelles avec précaution.
2. Utilisez un accessoire de foyer à long manche pour déplacer des braises ou des bûches afin d'améliorer le passage de l'air.
3. N'utilisez PAS de liquides inflammables tels que de l'essence, de l'alcool, du carburant diesel, du kérosène ou du liquide allume-barbecue pour allumer ou rallumer le feu.
4. Attendez que des braises se soient formées avant de rajouter du bois. Si vous devez rajouter du bois, placez le bois sur les braises. Faites attention à ne pas déplacer les cendres.
5. À l'aide d'un crochet et en portant des gants de protection contre la chaleur, fermez le pare-étincelles.

Éteindre le foyer d'extérieur

1. Laissez le feu s'éteindre de lui-même.
2. Veillez à NE PAS utiliser d'eau pour éteindre le feu car vous risquez d'endommager le foyer d'extérieur.

NETTOYAGE ET ENTRETIEN

Inspection

Ce foyer d'extérieur doit être vérifié régulièrement pour qu'il fonctionne en toute sécurité et afin d'en assurer la pérennité.

NE PAS tenter de vérifier le foyer d'extérieur avant que le feu ne se soit COMPLÈTEMENT éteint.

1. Vérifiez les poignées afin de vous assurer qu'elles sont bien fixées.
2. Vérifiez les pièces du foyer afin de vous assurer qu'elles ne sont endommagées et ne présentent pas de trace de rouille.
3. Si une pièce quelconque s'avère défectueuse, n'utilisez PAS le foyer avant d'avoir effectué les réparations nécessaires.

Nettoyage

Ce foyer d'extérieur doit être nettoyé régulièrement pour qu'il fonctionne en toute sécurité et afin d'en assurer la pérennité.

Remarque: Après plusieurs utilisations, le métal risque de présenter une légère décoloration.

NE PAS nettoyer le foyer d'extérieur avant que le feu ne soit COMPLÈTEMENT éteint et que les surfaces ne soient toutes froides au toucher.

NE PAS utiliser de produits de nettoyage pour fours ou de produits de nettoyage abrasifs car ils risquent d'endommager cet appareil.

NETTOYAGE ET ENTRETIEN - SUITE

NE placer aucune pièce du foyer extérieur dans un four autonettoyant. La chaleur extrême endommagera le fini du foyer.

1. Essuyez les surfaces extérieures du foyer avec un liquide à vaisselle doux ou du bicarbonate de soude.
2. Pour les tâches coriaces, utilisez un dégraissant au citron et une brosse de nettoyage en nylon.
3. Rincez à l'eau.
4. Retirez toute accumulation de dépôts de crésote sur les pièces à l'aide d'un produit de nettoyage pour cheminée.

Remisage

NE PAS tenter de remiser ce foyer d'extérieur avant que le feu ne soit COMPLETEMENT éteint.

1. Attendez que le feu se soit complètement éteint et que les braises et le foyer d'extérieur soient froids au toucher, retirez les cendres et jetez-les à la poubelle comme il se doit.
2. Recouvrez le foyer d'extérieur avec une housse de protection résistante en vinyle d'une taille adéquate pour ce modèle.
3. Remisez le foyer d'extérieur complètement assemblé hors de la portée des enfants et des animaux domestiques et de compagnie.

Remarque: Si vous n'utilisez pas de housse de protection, remisez le foyer d'extérieur dans un endroit sec afin d'en assurer la pérennité.

GARANTIE LIMITÉE

La société Blue Rhino Global Sourcing, LLC (« le fabricant ») garantit cet article au premier acheteur au détail et à aucune autre personne, contre tout vice de matériau et de fabrication pendant un (1) an à partir de la date d'achat si cet article est monté et utilisé conformément aux instructions fournies. Le fabricant vous demandera sans doute une preuve raisonnable d'achat datée, veuillez donc conserver votre facture ou votre reçu. Cette garantie limitée se limitera à la réparation ou au remplacement de pièces ayant été déterminées défectueuses par le fabricant lors de conditions d'utilisation et d'entretien normales. Avant de renvoyer une pièce, contactez le service à la clientèle du fabricant (Customer Service Department). Si le fabricant confirme le défaut de fabrication et approuve la réclamation, ce dernier remplacera gratuitement les dites pièces. Si vous devez renvoyer des pièces défectueuses, les pièces devront être expédiés port-payé. Le fabricant s'engage à renvoyer les pièces à l'acheteur port-payé.

Cette garantie limitée ne couvre pas les pannes et dysfonctionnements survenant suite à tout accident, mauvais usage, entretien incorrect de cet article, ou toute modification, mauvaise installation ou négligence comme il a été établi dans ce manuel. De plus, cette garantie limitée ne couvre pas les dommages au fini, à savoir les rayures, les bosses, les traces de décoloration, de rouille ou les dommages résultant des intempéries après achat de l'article.

Cette garantie remplace toute autre garantie expresse et il n'existe aucune autre garantie expresse à l'exception de la couverture indiquée ici. Le fabricant désavoue toute garantie couvrant des produits ayant été achetés auprès de revendeurs autres que les revendeurs et distributeurs agréés y compris toute garantie de commerciabilité et d'adaptation à un usage particulier. LE FABRICANT DÉCLINE ÉGALEMENT TOUTE GARANTIE IMPLICITE Y COMPRIS TOUTE GARANTIE DE COMMERCIALITÉ ET D'ADAPTATION À UN USAGE PARTICULIER. LE FABRICANT NE POURRA ÊTRE TENU RESPONSABLE PAR L'ACHETEUR OU UN TIERS POUR TOUS DÉGÂTS ET DOMMAGES PARTICULIERS, INDIRECTS, PUNITIFS OU CONSÉCUTIFS. De plus, le fabricant désavoue toute garantie expresse ou implicite et décline toute responsabilité en cas de défaut de fabrication causés par un tiers. Cette garantie limitée octroie des droits juridiques spécifiques à l'acheteur et il est possible que ce dernier en possède d'autres selon sa localité. Certaines juridictions ne permettent pas l'exclusion ni la limitation de dommages consécutifs ou accessoires et ces limitations peuvent ne pas être applicables à tous.

Le fabricant ne permet en aucun cas à une personne ou à une société de s'attribuer les responsabilités et les obligations liées à la vente, l'installation, l'utilisation, la dépose ou le remplacement de cet article, et aucune de ces représentations n'engage la responsabilité du fabricant.

Blue Rhino Sourcing, LLC
Winston-Salem, North Carolina 27105, États-Unis
800)762-1142 • CustomerService@BlueRhino.com

PIÈCES DES RECHANGE

Pour les pièces de rechange, veuillez vous reporter au chapitre « Contenu de la caisse » (voir page 5) et appelez notre service à la clientèle au 1.800.762.1142, de 9 h à 17 h, heure normale de l'Est, du lundi au vendredi ou contactez-nous par courriel à customerservice@bluerhino.com

Imprimé en Chine



ITEM/ARTICLE/ARTICULO #256797

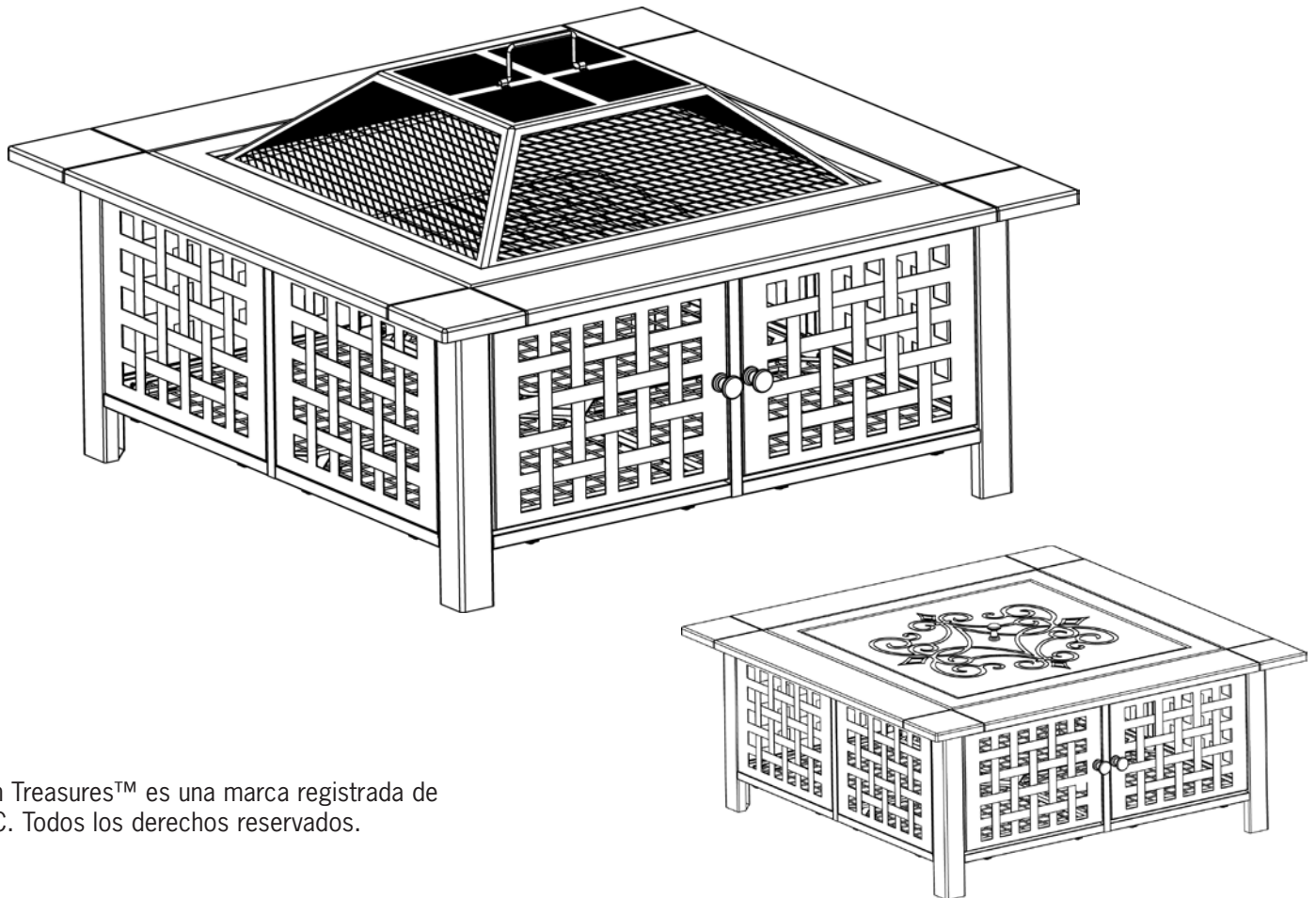
GRANITE OUTDOOR FIREPLACE FOYER D'EXTÉRIEUR EN GRANITE

(page 12)

BRASERO DE GRANITO PARA EXTERIORES

(página 23)

MODEL/MODÈLE/MODELO #WAD8160L



Garden Treasures™ es una marca registrada de LF, LLC. Todos los derechos reservados.

ADVERTENCIA

1. Solamente para uso en exteriores (fuera de cualquier recinto).
2. Una instalación, ajuste, alteración, reparación o mantenimiento inadecuados puede causar lesiones o daños a la propiedad.
3. Lea atentamente las instrucciones de instalación, funcionamiento y mantenimiento del equipo antes de instalarlo, ponerlo en marcha o darle servicio.
4. El no seguir estas instrucciones puede ocasionar un incendio o una explosión, con sus consecuentes daños a la propiedad, lesiones personales y hasta accidentes fatales.
5. Conserve estas instrucciones para futuras consultas. Si está montando esta unidad para otra persona, entréguele este manual para futuras consultas.



¿Preguntas, problemas, piezas faltantes? Antes de devolver la unidad al lugar donde la compró, llame a nuestro departamento de servicio al cliente al 1.800.762.1142, de 9 a.m. a 5 p.m. hora del Este, de lunes a domingo, o contáctenos por correo electrónico a customerservice@bluerhino.com

INDICE

Registro del producto	24
Información de seguridad	25
Contenido de la caja	27
Preparación	27
Instrucciones de armado	28
Instrucciones de operación	32
Encendido.	32
Cuidado del fuego	32
Apagado.	32
Limpieza y cuidado	32
Inspección	32
Limpieza.	32
Almacenamiento	33
Garantía limitada.	33
Piezas de repuesto	33

REGISTRO DEL PRODUCTO

Para beneficiar del servicio de garantía más rápidamente, sírvase registrar su unidad inmediatamente visitando nuestro sitio internet www.bluerhino.com o llamando al 1.800.762.1142.

Sírvase leer y entender a cabalidad la totalidad de este manual antes de tratar de armar, operar o instalar este producto. Si tiene cualquier pregunta relativa al producto, sírvase llamar a nuestro departamento de servicio al cliente al 1.800.762.1142, de 9 a.m. a 5 p.m. hora del Este, de lunes a domingo, o contáctenos por correo electrónico a customerservice@bluerhino.com.

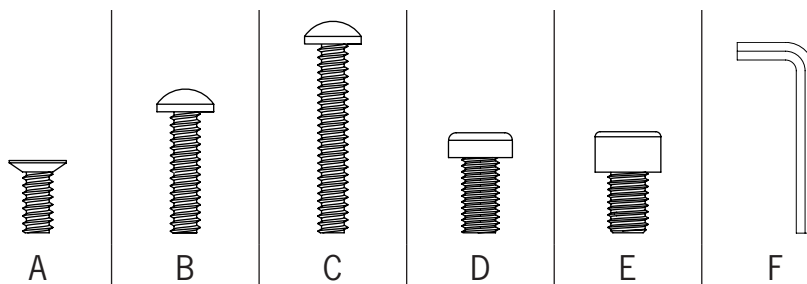
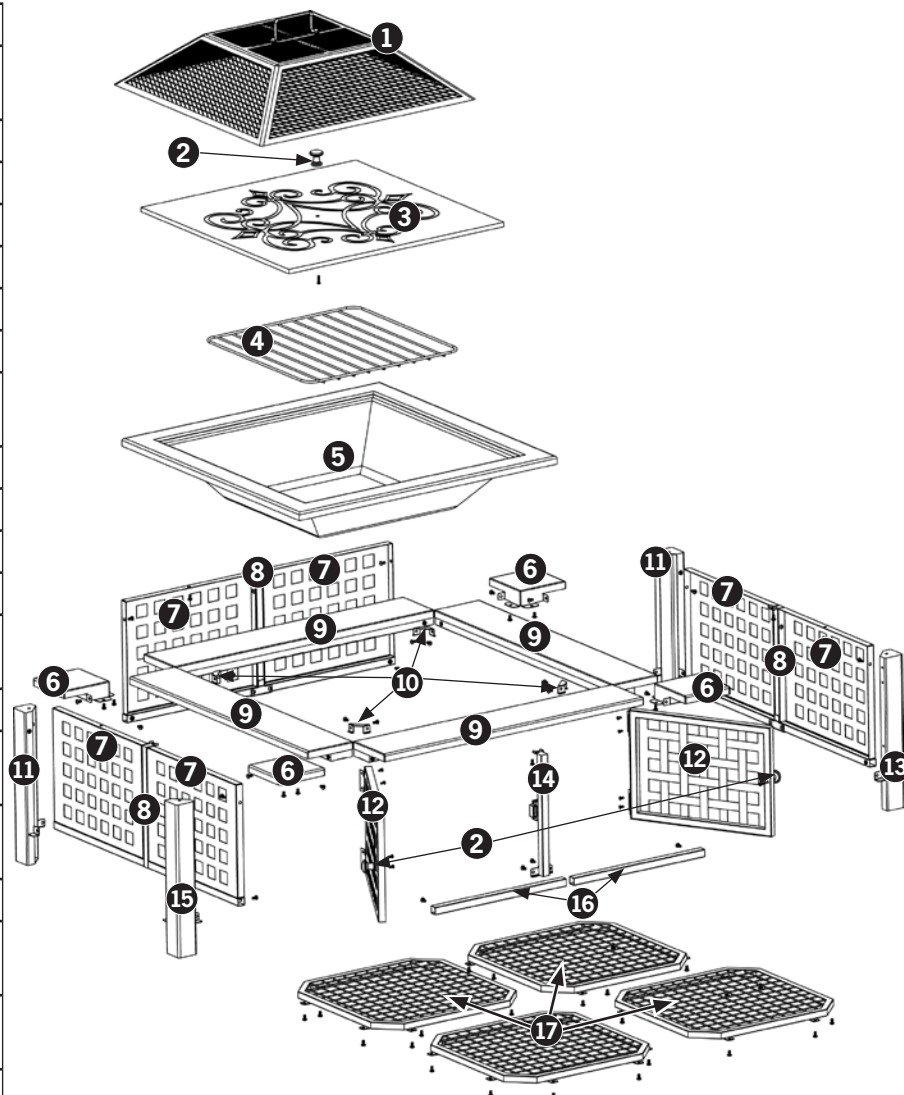
 **ADVERTENCIA:**

1. Esta unidad es para ser usada al aire libre únicamente y NO debe usarse en un edificio, garaje o cualquier otra área cerrada.
2. NO opere, encienda o use esta unidad a menos de 2,43 m de paredes, estructuras o edificaciones.
3. NO use este brasero para exteriores a una distancia libre de menos de 91 cm de artículos o materias combustibles.
4. NO use este brasero para exteriores para calentar el ambiente en interiores. Los gases TÓXICOS de monóxido de carbono pueden acumularse y provocar la asfixia.
5. Este brasero para exteriores NO ha sido diseñado para uso comercial.
6. El brasero para exteriores NO debe ser usado por los niños.
7. NO utilice este brasero para exteriores en embarcaciones o vehículos de recreo.
8. Observe siempre y use la unidad cumpliendo todos los códigos de incendio aplicables, locales y nacionales. Obtenga de su departamento de incendios local detalles en cuanto a quemas al aire libre.
9. Al usar este brasero para exteriores, observe las mismas precauciones que merece cualquier fuego abierto.
10. El uso de bebidas alcohólicas, medicamentos o drogas de farmacia puede afectar la habilidad del usuario para armar debidamente u operar en forma segura este brasero para exteriores.
11. No encienda este brasero para exteriores sin haber leído completamente todas las instrucciones de este manual del usuario.
12. Use siempre leña seca para quemar, que quema a mayor temperatura, en forma más completa, y que produce menos humo con este brasero para exteriores.
13. NO queme en este brasero para exteriores briquetas de carbón de leña, carbón, leños manufacturados, madera flotante o de deriva, basura, hojas, papel, cartón, madera contra chapada, madera pintada, barnizada o tratada a presión. Evite usar maderas blandas como pino o cedro pues estas maderas hacen saltar chispas.
14. NO altere este brasero para exteriores de ninguna forma.
15. NO utilice el brasero para exteriores a menos que esté COMPLETAMENTE montado y que todas las piezas estén bien fijadas y apretadas.
16. NO guarde o use gasolina u otros líquidos o vapores inflamables cerca de esta unidad o de cualquier otro aparato.
17. NO use o guarde un tanque de gas propano líquido en un radio inferior a 10 pies (3,05 metros) de este brasero para exteriores.
18. NO use este brasero para exteriores cerca de automóviles, camiones, furgones o vehículos de recreo.
19. NO utilice esta unidad en una atmósfera explosiva. escoja una zona para el brasero para exteriores alejada de materiales combustibles, gasolina y cualquier otro vapor o líquido inflamable.
20. NO use este brasero para exteriores debajo de aleros o cerca de construcciones combustibles que no estén debidamente protegidas. Evite usar el brasero para exteriores cerca o debajo de árboles y arbustos.
21. Coloque siempre el brasero para exteriores sobre superficies firmes y niveladas no combustibles tales como las de hormigón, ladrillo o piedra. Una superficie de asfalto o de pavimento puede que no sea adecuada para este propósito. NO use esta unidad sobre plataformas y terrazas de madera.
22. Siempre vacíe el brasero para exteriores después de haberlo usado.
23. NO use ropa inflamable o floja cuando usa el brasero para exteriores.
24. NO utilice el brasero para exteriores si hace mucho viento.

25. NO utilice el brasero para exteriores sin haber instalado los resguardos contra chispas.
26. NO use gasolina, kerosén, combustibles de diesel, líquidos para encender carbón o alcohol para encender o volver a encender el brasero para exteriores.
27. Mantenga todos los cables eléctricos lejos de un brasero para exteriores si está caliente.
28. Cuando el brasero para exteriores se usa, las superficies estarán calientes. NO toque el brasero para exteriores hasta que no se haya enfriado completamente para evitar quemaduras, a menos que usted tenga puestos elementos de protección tales como guantes o almohadilla para las ollas, manoplas, guantes de barbacoa, etc. Nunca toque las cenizas o las brasas para determinar si están calientes.
29. NO deje un brasero para exteriores encendido sin vigilancia, especialmente si hay niños o mascotas presentes.
30. NO intente mover o guardar el brasero para exteriores antes de que las cenizas y las brasas se hayan completamente enfriado y apagado.
31. NO quite las cenizas o las brasas antes de que se hayan completamente enfriado y apagado.
32. Use guantes y almohadillas resistentes al calor cuando deba manejar las manijas.
33. Use accesorios de chimenea largos y fuertes cuando deba agregar o mover los leños.
34. NO coloque leña directamente en el fondo del brasero para exteriores. Coloque los leños únicamente en la rejilla.
35. NO recargue el brasero para exteriores. No le agregue leña antes de que las llamas se hayan extinguido. AVISO: Si cualquier parte del cuenco, de la tapa o de los resguardos contra las chispas de este brasero para exteriores se nota enrojecida es señal de que la unidad se ha sobrecargado.
36. NO se apoye sobre el brasero para exteriores cuando lo está encendiendo o usando.
37. NO coloque un resguardo contra chispas o herramientas calientes sobre el césped, sobre terrazas de madera o muebles.
38. Evite respirar el humo del fuego y evite que le llegue a los ojos.
39. Este brasero para exteriores debe limpiarse y verificarse completamente de manera regular.
40. Después de un periodo de almacenamiento o de haber dejado de usar la unidad por algún tiempo, revise que no haya señales de daños o acumulación de creosota. NO opere la unidad antes de hacer las reparaciones requeridas o realizar la limpieza necesaria.
41. Use únicamente piezas autorizadas de fábrica de Blue Rhino Global Sourcing, LLC. El uso de cualquier pieza no autorizada de fábrica puede ser peligroso. Su uso invalida su garantía. Llame al 1.800.762.1142.
42. El no seguir exactamente las instrucciones dadas arriba puede producir daños a la propiedad, lesiones serias y hasta fatales.

CONTENIDO DE LA CAJA

Parte	Descripción	Cantidad	Pedido N°
1	Resguardo contra chispas	1	55-05-521
2	Pomo	3	55-05-523
3	Mesa de insertar	1	55-05-522
4	Parrilla para leña	1	55-05-524
5	Cuenco de abajo	1	55-05-503
6	Esquina de hogar	4	55-05-510
7	Panel lateral	6	55-05-519
8	Soporte de panel lateral	3	55-05-520
9	Hogar	4	55-05-508
10	Soporte del hogar	4	55-05-509
11	Pata trasera	2	55-05-513
12	Puerta	2	55-05-504
13	Pata delantera derecha	1	55-05-514
14	Soporte de la puerta	1	55-05-506
15	Pata delantera izquierda	1	55-05-511
16	Soporte del marco de la puerta	2	55-05-505
17	Panel de la base	4	55-05-501
18	Cubierta (no se muestra)	1	55-05-738
19	Atizador (no se muestra)	1	55-05-739
A	Tornillo Negro, niquelado, M4x8	8	55-05-517
B	Tornillo Negro, niquelado, M4x16	1	55-05-515
C	Tornillo Negro, niquelado, M4x25	2	55-05-516
D	Tornillo Negro, niquelado, M5x10	74	55-05-518
E	Bolt Negro, niquelado, M5x10	4	55-05-502
F	Llave de Tuercas Allen M5	1	55-05-500



PREPARACION

Antes de comenzar a ensamblar el producto asegúrese de contar con todas las piezas. Verifique las piezas con la lista de contenido de la caja y con el diagrama anterior. Si faltara una pieza o si hubiera piezas dañadas, no trate de ensamblar, instalar u operar el producto. Comuníquese con el departamento de servicio al cliente para obtener piezas de repuesto.

Tiempo de ensamble estimado: 45 minutos

Herramientas requeridas para el armado: Llave Allen (incluida)

Herramientas útiles: Destornillador en cruz (Phillips) – (no incluido)

INSTRUCCIONES DE ARMADO

1. Fije las esquinas para el hogar usando 16 tornillos "D".

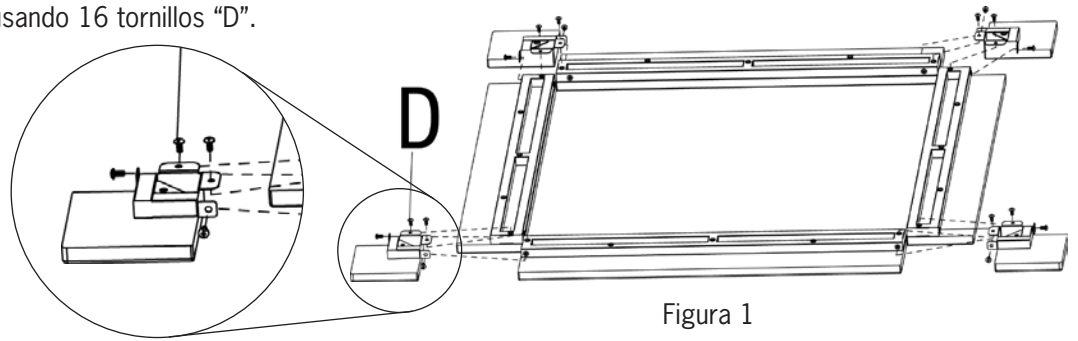


Figura 1

2. Fije los soportes para el hogar usando 8 tornillos "D".

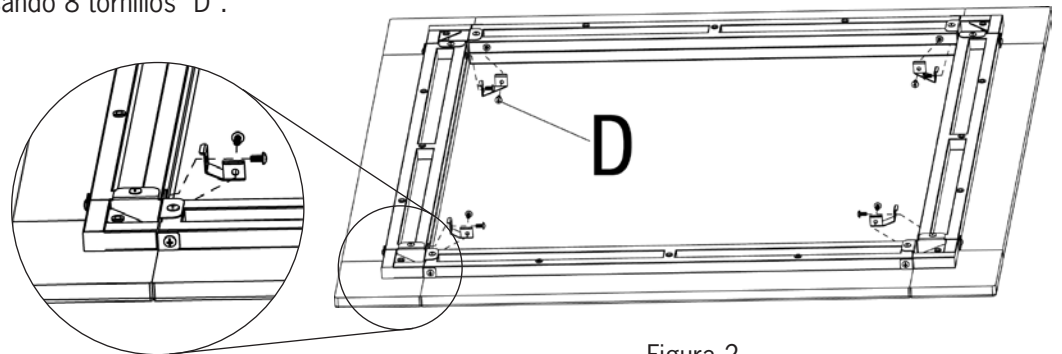


Figura 2

3. Instale los paneles laterales, el soporte de panel lateral, la pata delantera izquierda y la pata trasera izquierda, usando 7 tornillos "D" y 2 pernos "E".

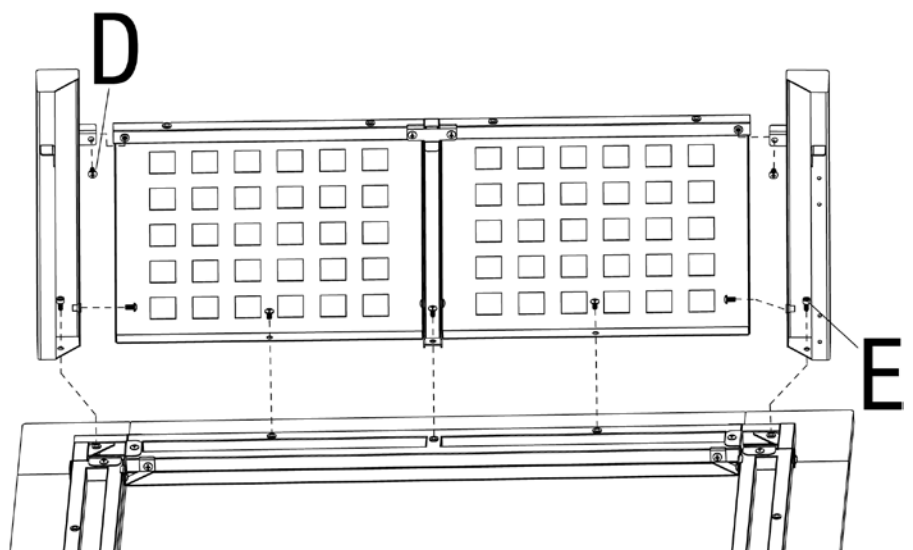


Figura 3

4. Instale los paneles laterales, el soporte de panel lateral, y la pata trasera derecha, usando 7 tornillos "D" y 1 perno "E".

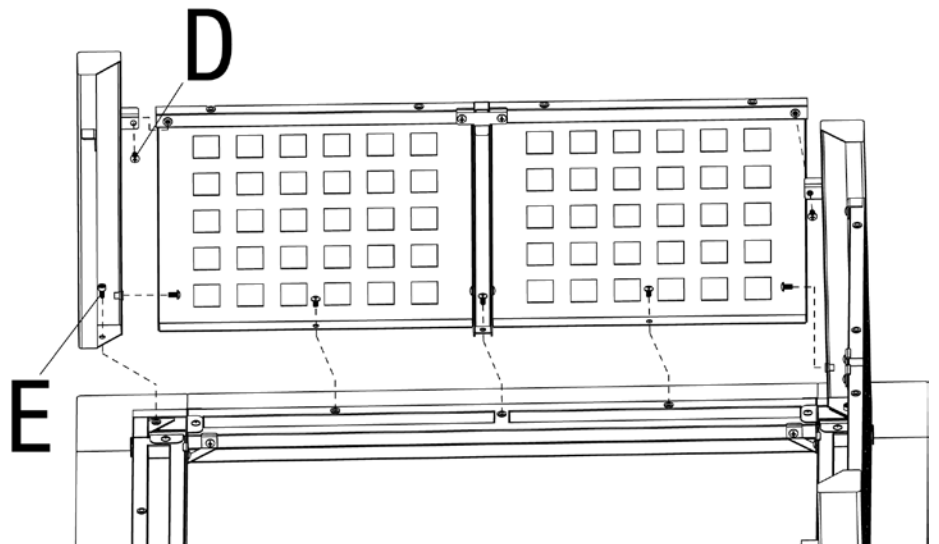


Figura 4

5. Instale los paneles laterales, el soporte de panel lateral, y la pata delantera derecha, usando 7 tornillos "D" y 1 perno "E".

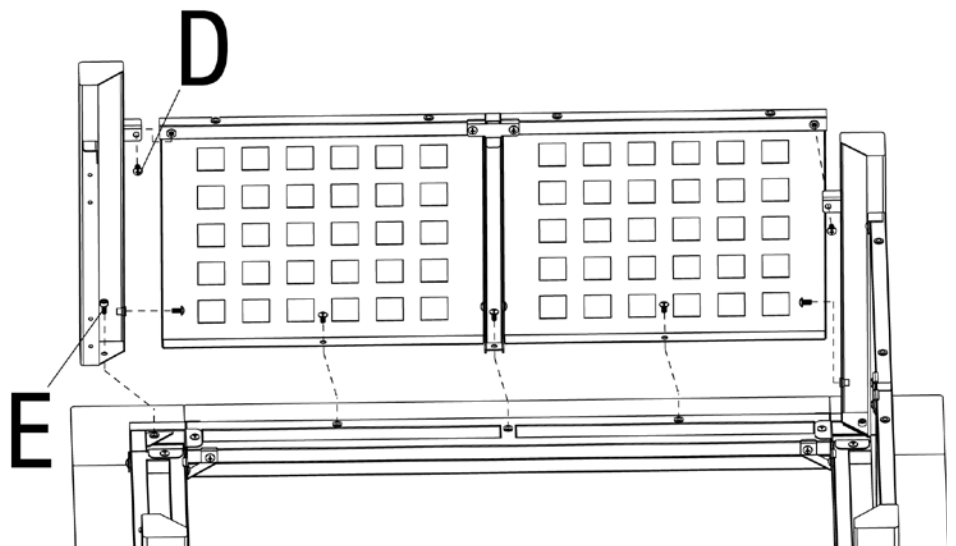


Figura 5

6. Fije los soportes del marco de la puerta y el soporte de la puerta usando 5 tornillos "D".

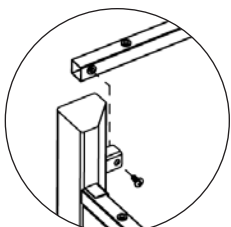


Figura 6a

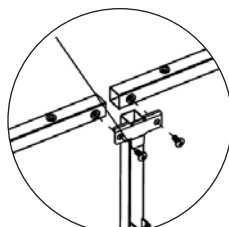


Figura 6b

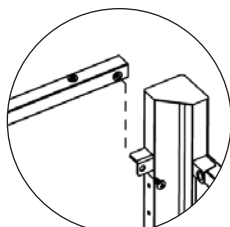


Figura 6c

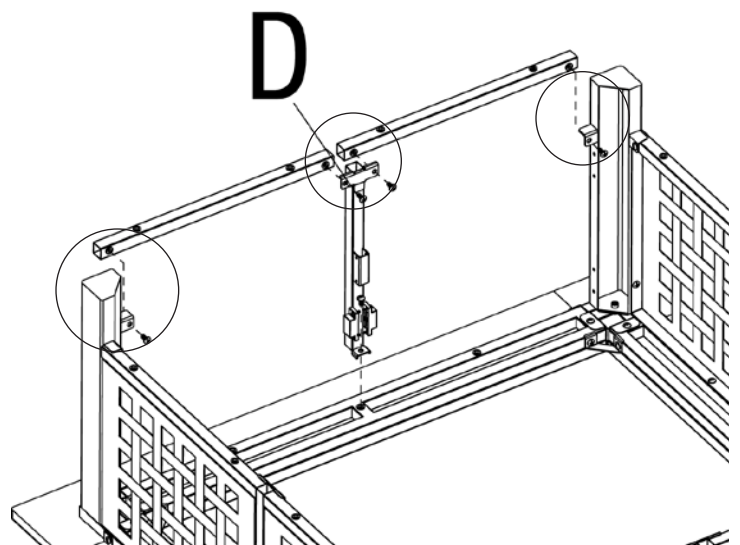


Figura 6

7. Fije el panel de base usando 8 tornillos "D".

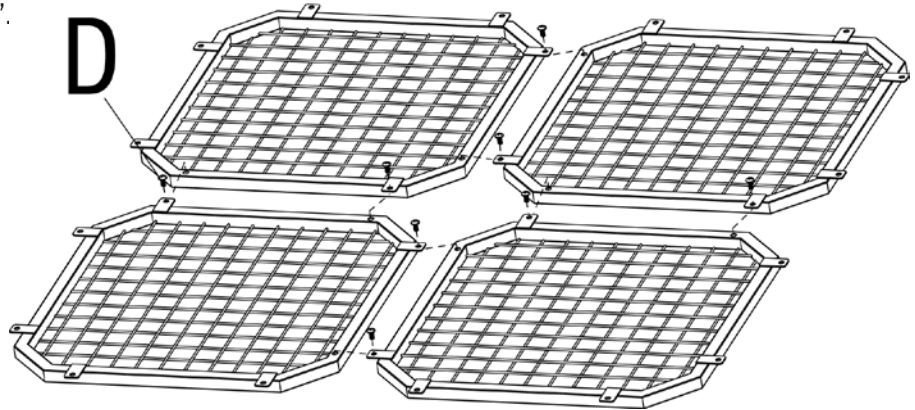


Figura 7

8. Fije el conjunto de panel de base usando 16 tornillos "D".

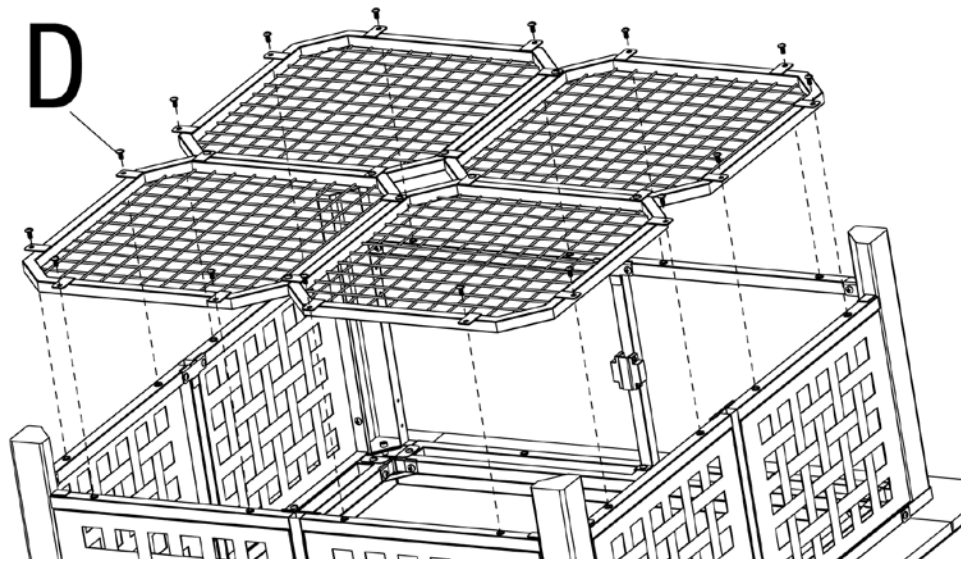


Figura 8

9. Fije las puertas y los pomos usando 8 tornillos "A" y 2 tornillos "C".

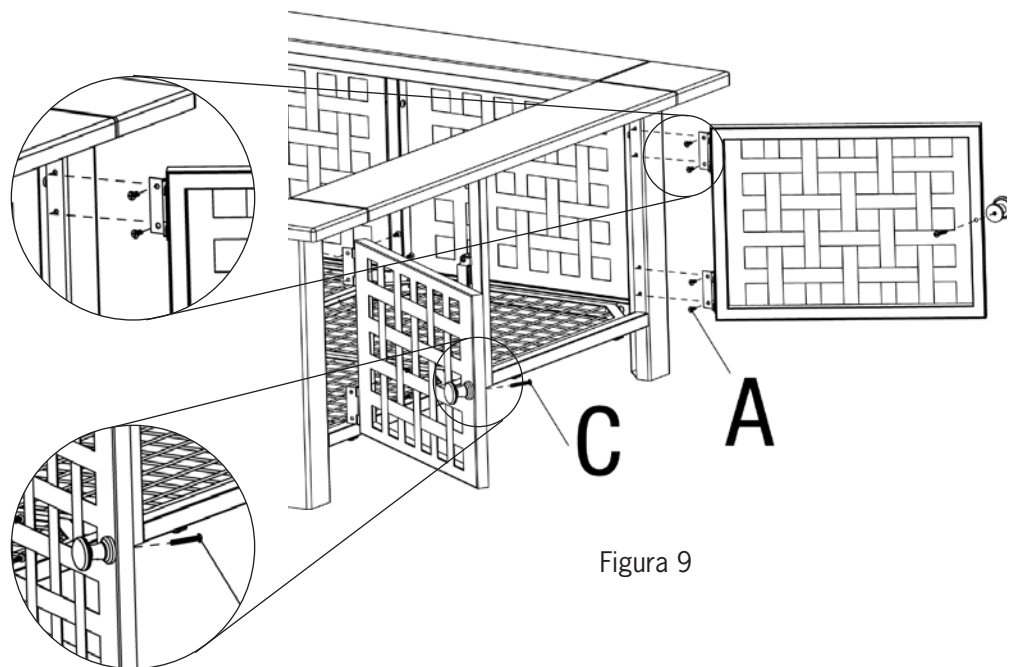


Figura 9

10. Inserte el cuenco de abajo, la parrilla para leña y el resguardo contra chispas.

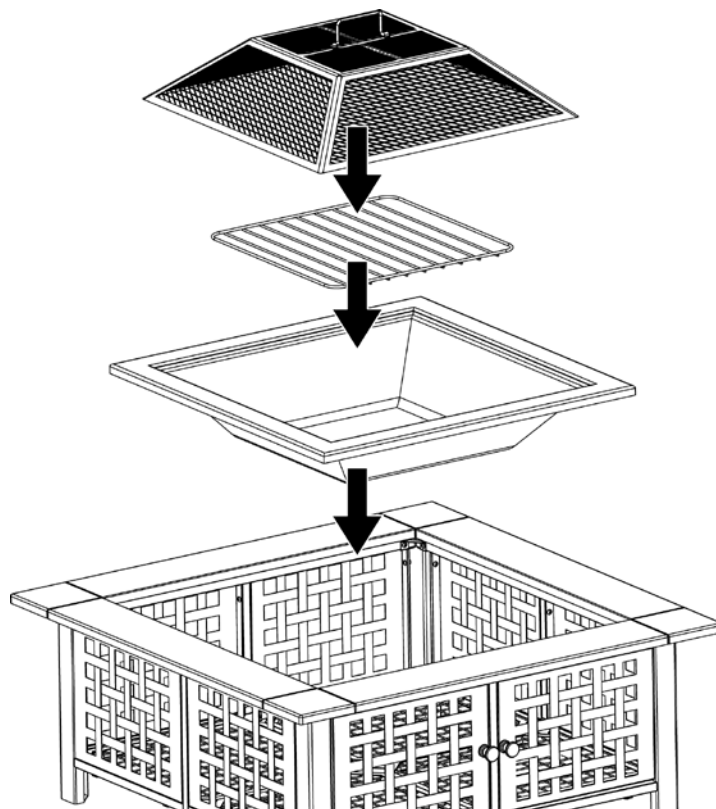


Figura 10

11. Fije el pomo en la mesa de insertar usando 1 tornillo "B".

Nota: Cuando la mesa de insertar no va a ser usada, guárdela en un sitio fresco y seco donde no se dañe.

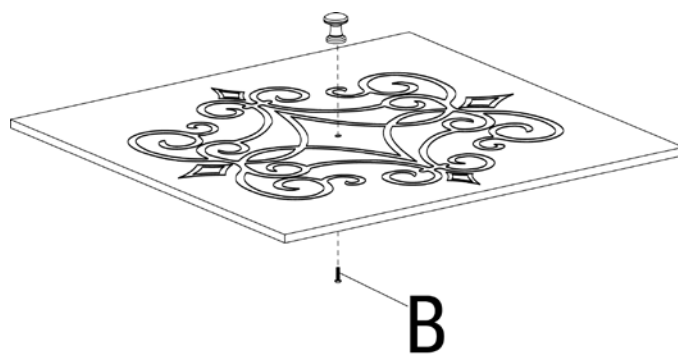


Figura 11

Cuando use la mesa de insertar, remueva el resguardo contra chispas y coloque la mesa de insertar en el cuenco de abajo.

Nota: Cuando el resguardo contra chispas no va a ser usado, guárdelo en un sitio fresco y seco donde no se dañe.

⚠ ADVERTENCIA: NO coloque la mesa de insertar en el cuenco de abajo hasta que el fuego se haya extinguido completamente y el brasero se haya enfriado.

⚠ ADVERTENCIA: Cuando estén calientes, NO coloque el resguardo contra chispas o los accesorios del brasero sobre superficies combustibles tales como hierba, terraza de madera o muebles.

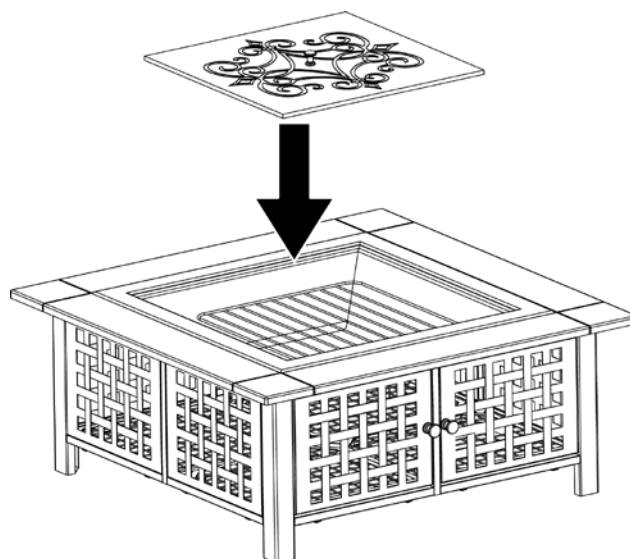


Figura 12

INSTRUCCIONES DE OPERACION

⚠ ADVERTENCIA: Antes de usar este brasero para exteriores, asegúrese de haber leído y entendido completamente las informaciones de seguridad que se presenta en la páginas 25 y 26. Siga estas instrucciones completamente pues la falla en seguirlas puede causar daños a la propiedad, serias lesiones y aún la muerte.

Encendido

1. Verifique que únicamente ha quedado una pequeña cantidad de ceniza en el fondo del cuenco.
2. Coloque una capa de leña menuda seca o un material natural para encender el fuego, tal como Fatwood™, en el centro de la rejilla.
3. Coloque encima una capa de leña seca cortada en longitudes no mayores de 3/4 del diámetro del cuenco.
4. Use una cerilla para encender la leña menuda o el material para encender el fuego.
5. Use un gancho y guantes resistentes al calor para volver a colocar el resguardo contra chispas una vez que la leña menuda o el material de encendido han quedado prendidos.

El atizador que se incluye puede calentarse al ser usado y mantenerse caliente después de su uso.

Cuidado del fuego

Usted puede necesitar mover los leños o agregar leños para obtener un funcionamiento ideal.

NO coloque un resguardo contra chispas o herramientas calientes sobre el césped, sobre terrazas de madera o muebles.

El atizador que se incluye puede calentarse al ser usado y mantenerse caliente después de su uso.

No deje desatendidos el resguardo contra chispas, atizador, u otros utensilios de la unidad cuando están calientes, especialmente cuando hay niños o mascotas cerca.

1. Use un gancho y guantes resistentes al calor para retirar cuidadosamente el resguardo contra chispas.
2. Usando un accesorio de chimenea de mango largo, mueva leños y brasas para permitir un flujo adicional de aire.
3. NO vierta gasolina, kerosén, aceite diesel, líquido para encendedores o alcohol para volver a encender o aumentar un fuego que se extingue.
4. Espere hasta que el fuego se haya convertido en brasa antes de agregar más leña. Si se necesita más leña coloque la leña encima de las brasas. Tenga cuidado de no mover la ceniza.
5. Use el gancho y guantes resistentes al calor para volver a colocar el resguardo contra chispas.

Apagado

1. Deje que el fuego se extinga por si mismo.
2. NO use agua para extinguir el fuego pues esta práctica es peligrosa y puede dañar su brasero para exteriores.

LIMPIEZA Y CUIDADO

Inspección

Este brasero para exteriores debe inspeccionarse a intervalos regulares para asegurar que su funcionamiento es seguro y prolongar su vida útil.

No trate de inspeccionar este brasero para exteriores antes de que el fuego se haya apagado COMPLETAMENTE.

1. Examine las manijas para estar seguro de que continúan firmemente instaladas.
2. Inspeccione los componentes para detectar señales de daños u oxidación.
3. Si encuentra que algún componente está dañado, NO opere la unidad antes de haberla reparada.

Limpieza

Este brasero para exteriores debe limpiarse a intervalos regulares para asegurar su funcionamiento seguro y prolongar su vida útil.

Nota: Después de repetido uso, la superficie de metal puede descolorarse un poco.

NO trate de limpiar este brasero para exteriores antes de que el fuego se haya extinguido COMPLETAMENTE.

NO use productos para limpieza de hornos o limpiadores abrasivos pues estos dañan la unidad.

NO trate de limpiar ningún componente de este brasero para exteriores en un horno automático de limpieza pues esto daña el terminado de la unidad.

LIMPIEZA Y CUIDADO – CONTINUACION

1. Limpie las superficies exteriores con un detergente suave para el lavado de platos o con soda de hornear.
2. En superficies donde el detergente o la soda no son suficientes para la limpieza, use un desengrasante a base de cítricos y un cepillo de nilón para fregar.
3. Enjuague con agua limpia.
4. Remueva la acumulación de creosota de la tapa y los costados del resguardo de ceniza con un producto de limpieza para chimeneas.

Almacenamiento

NO mueva o guarde este brasero para exteriores antes de que el fuego se haya extinguido COMPLETAMENTE.

1. Una vez que el fuego se haya apagado, las brasas estén frías y la unidad se sienta suficientemente fría al tacto, remueva la ceniza y descártela de manera apropiada.
2. Cubra el brasero para exteriores con una cubierta durable de vinilo diseñada para acomodar la unidad.
3. Guarde la unidad armada en una ubicación alejada de niños y mascotas.

Nota: Si no usa cubierta, guarde este brasero para exteriores en una ubicación seca para prolongar la vida del producto.

GARANTIA LIMITADA

Blue Rhino Global Sourcing, LLC (“el fabricante”) garantiza al comprador original, al detal, de este producto que si la unidad se arma y opera de acuerdo con las instrucciones impresas que la acompañan y por un período de un (1) año a partir de la fecha de compra, todas las piezas de este producto estarán libres de defectos en material y mano de obra. El fabricante podrá requerir prueba razonable de la fecha de compra. Por lo tanto, usted debe conservar el recibo de venta o la factura. Esta garantía limitada estará limitada a la reparación o reemplazo de las piezas que resulten defectuosas en condiciones de servicio y uso normal y las que un examen indique, a satisfacción del fabricante, que están defectuosas. Antes de devolver cualquier pieza, comuníquese con el Departamento de Servicio al Cliente (Customer Service Department) del fabricante. Si el fabricante confirma el defecto y aprueba el reclamo, el fabricante decidirá reemplazar tales partes sin costo alguno. Si se le pide que devuelva las partes defectuosas, los costos de transporte deberán ser prepagados. El fabricante devolverá las partes al cliente con costo de transporte o envío prepagados.

Esta garantía limitada no cubre fallas o dificultades de operación debidas a accidente, abuso, mal uso, alteración, empleo en usos inapropiados, instalación defectuosa o mantenimiento o servicio inapropiado o falla en la realización de mantenimiento normal y rutinario como se prescribe en este manual del usuario. Además, la garantía limitada no cubre daños al terminado de la unidad, tales como rasguños, abolladuras, descoloridos, oxidaciones y otros daños causados por la intemperie después de la compra de la unidad.

Esta garantía limitada reemplaza cualquier otra garantía. El fabricante no asume ninguna responsabilidad por garantías de productos vendidos por quienes no sean distribuidores o vendedores al detal autorizados. Esta exención de responsabilidad incluye cualquier garantía de comerciabilidad o la garantía de aptitud para un propósito en particular. EL FABRICANTE NO SE HACE RESPONSABLE POR NINGUNA GARANTIA IMPLICITA INCLUYENDO, SIN LIMITACIONES, LAS GARANTIAS IMPLICITAS DE COMERCIABILIDAD Y ADAPTABILIDAD A UN PROPOSITO PARTICULAR. EL FABRICANTE NO ASUME RESPONSABILIDAD ANTE EL COMPRADOR O ANTE CUALQUIER TERCERA PERSONA POR DAÑOS ESPECIALES, INDIRECTOS, PUNITIVOS, INCIDENTALES O CONSECUENCIALES. El fabricante, además, no asume responsabilidad por garantías implícitas o expresas por defectos de mano de obra causados por terceras personas.

Esta garantía limitada le da al comprador derechos legales específicos y el comprador puede tener otros derechos según el lugar donde el comprador o la compradora residan. Ciertas jurisdicciones no permiten limitaciones en cuanto a la duración de una garantía implícita, de manera que esta limitación puede no ser aplicable a usted.

El fabricante no autoriza a ninguna persona o compañía para asumir por el fabricante cualquier otra obligación a responsabilidad relacionada con la venta, instalación, uso, remoción, devolución o reemplazo de este equipo y cualquier representación de esta naturaleza no obliga al fabricante.

Blue Rhino Sourcing, LLC
Winston-Salem, North Carolina 27105 EE.UU.
(800)-762-1142 • CustomerService@BlueRhino.com

PIEZAS DE REPUESTO

Para piezas de repuesto, refiérase al capítulo “Contenido de la caja” (página 5) y llame a nuestro departamento de servicio al cliente al 1.800.762.1142, de 9 a.m. a 5 p.m. hora del Este, de lunes a domingo, o contáctenos por correo electrónico a customerservice@bluerhino.com

Free Manuals Download Website

<http://myh66.com>

<http://usermanuals.us>

<http://www.somanuals.com>

<http://www.4manuals.cc>

<http://www.manual-lib.com>

<http://www.404manual.com>

<http://www.luxmanual.com>

<http://aubethermostatmanual.com>

Golf course search by state

<http://golfingnear.com>

Email search by domain

<http://emailbydomain.com>

Auto manuals search

<http://auto.somanuals.com>

TV manuals search

<http://tv.somanuals.com>