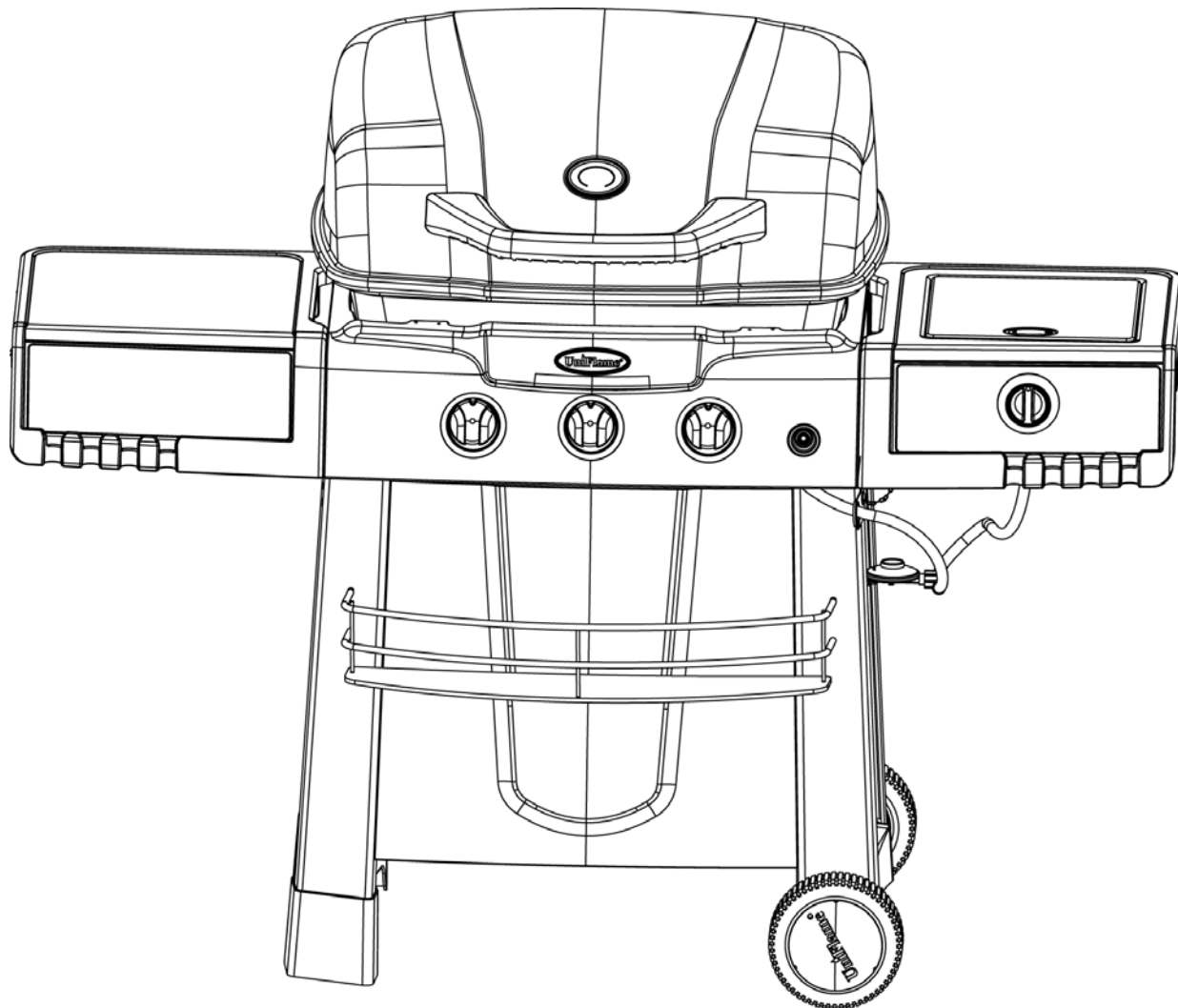


## Outdoor LP Gas Barbecue Grill

Model No. GBC730W-C



**WARNING**  
**FOR YOUR SAFETY:**  
**For Outdoor Use Only**  
 (outside any enclosure)

**WARNING**  
**FOR YOUR SAFETY:**

- 1. Improper installation, adjustment, alteration, service or maintenance can cause injury or property damage.**
- 2. Read the installation, operation, and maintenance instructions thoroughly before installing or servicing this equipment.**
- 3. Failure to follow these instructions could result in fire or explosion, which could cause property damage, personal injury, or death.**

California Proposition 65:  
 Chemicals known to the State of California to cause cancer, birth defects, or other reproductive harm are created by the combustion of propane.

Save these instructions for future reference. If you are assembling this unit for someone else, give this manual to him or her to read and save for future reference.

### Table of Contents

|                                    |        |
|------------------------------------|--------|
| Important Safeguards . . . . .     | Page 2 |
| Exploded View & Hardware . . . . . | 3      |
| Assembly Instructions . . . . .    | 4      |
| Installing LP Gas Tank . . . . .   | 8      |
| Insert LP Gas Tank . . . . .       | 8      |
| Secure LP Gas Tank . . . . .       | 8      |
| Connect LP Gas Tank . . . . .      | 8      |
| Operating Instructions . . . . .   | 8      |
| Checking for Leaks . . . . .       | 8      |
| Operating Main Burners . . . . .   | 8      |
| Operating Side Burner . . . . .    | 9      |
| Cleaning and Care . . . . .        | 9      |
| Product Registration . . . . .     | 10     |
| Limited Warranty . . . . .         | 10     |
| Troubleshooting . . . . .          | 11     |

The use and installation of this product must conform to local codes. In absence of local codes, use the *National Fuel Gas Code, ANSI Z223.1/NFPA 54, CAN/CGA-B149.1, Natural Gas and Propane Installation Code.*

Manufactured in China for:  
 Blue Rhino Global Sourcing, LLC  
 Winston-Salem, NC USA  
 1.800.762.1142, www.bluerhino.com

© 2006 Blue Rhino Global Sourcing, LLC. All Rights Reserved  
 UniFlame® is a Registered Trademark of Blue Rhino Global Sourcing, LLC.. All Rights Reserved.




**DANGER**

If you smell gas -

1. Shut off gas to appliance.
2. Extinguish any open flame.
3. Open lid.
4. If odor continues, keep away from the appliance immediately call your gas supplier or your fire department.


**WARNING**
**FOR YOUR SAFETY**

1. Do not store or use gasoline or other flammable liquids or vapors in the vicinity of this or any other appliance.
2. An LP cylinder not connected for use shall not be stored in the vicinity of this or any other appliance.

**Safety First**
**DANGERS and Cautions**

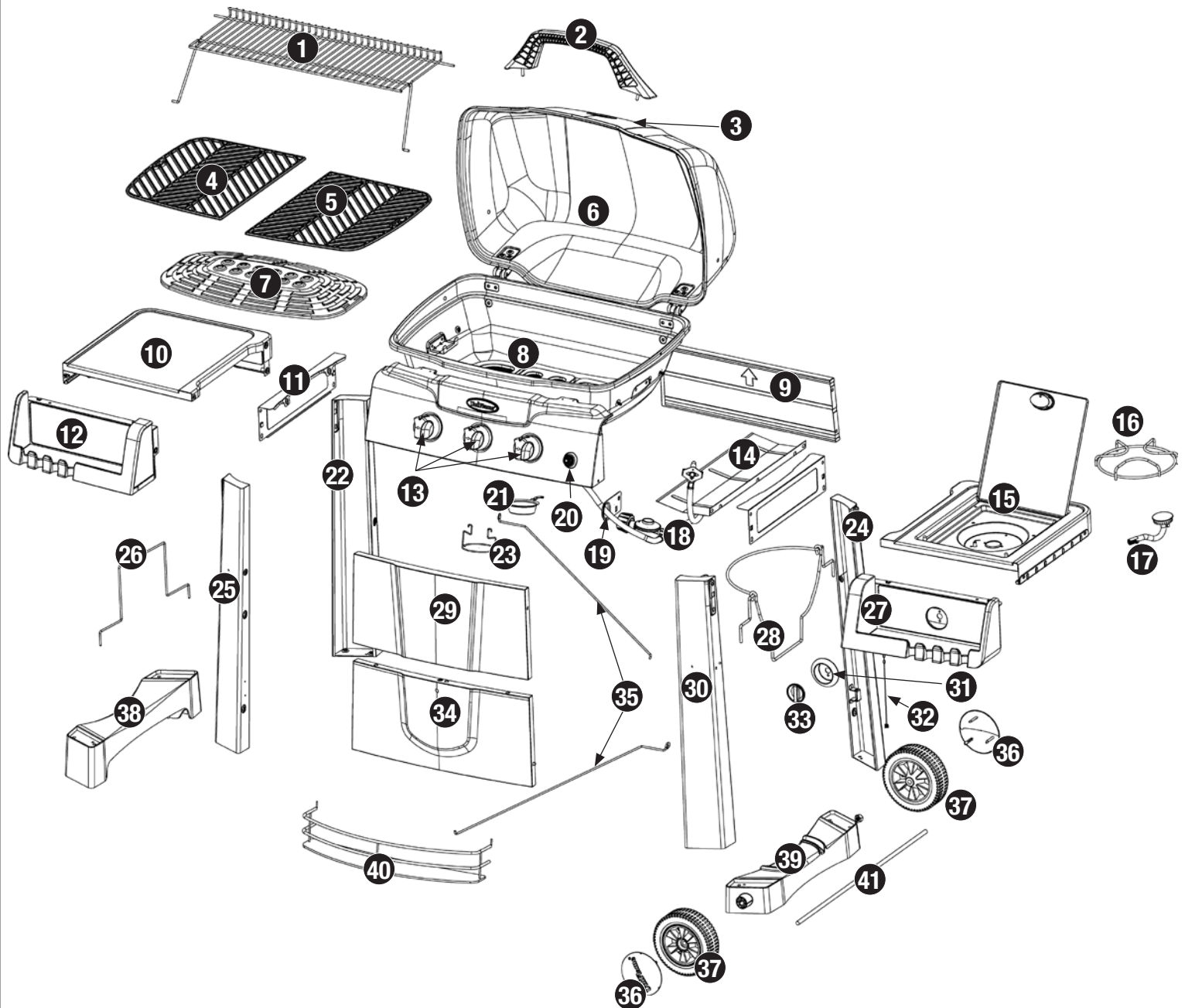
1. This grill is for outdoor use only, and shall not be used in a building, garage, or any other enclosed area.
2. Do NOT operate, light or use this appliance within 8 feet of walls, structures or buildings.
3. This grill is NOT for commercial use.
4. This grill is for use with liquid propane (LP) gas only. The conversion to or attempted use of natural gas in this LP gas grill is dangerous and will void your warranty.
5. LP gas Characteristics:
  - a. LP gas is flammable and hazardous if handled improperly. Become aware of the characteristics before using any LP gas product.
  - b. LP gas is explosive under pressure, heavier than air, and settles and pools in low areas.
  - c. LP gas in its natural state has no odor. For your safety, an odorant is added that smells like rotten cabbage.
  - d. Contact with LP gas can cause freeze burns to skin.
6. LP gas tank needed to operate. Only tanks marked "propane" may be used.
  - a. The LP gas supply tank must be constructed and marked in accordance with the *Specifications for LP gas Cylinders of the U.S. Department of Transportation (DOT) or the National Standard of Canada, CAN/CSA-B339, Cylinders, Spheres and Tubes for the Transportation of Dangerous Goods; and Commission.*
  - b. LP gas tank must be arranged for vapor withdrawal.
  - c. The LP gas tank must have a listed overfilling prevention device (OPD).
  - d. Only use 20-pound cylinders equipped with a cylinder connection device compatible with the connection for outdoor cooking appliances.
  - e. The LP gas tank must have a tank collar to protect the tank valve.
  - f. Never use an LP gas tank with a damaged body, valve, collar, or footing.
  - g. Dented or rusted LP gas tanks may be hazardous and should be checked by your LP gas supplier prior to use.
  - h. The LP gas tank should not be dropped or handled roughly.
  - i. Tanks must be stored outdoors out of the reach of children and must not be stored in a building, garage, or any other enclosed area. Your tank must never be stored where temperatures can reach over 125°F.
  - j. Never keep a filled LP gas tank in a hot car or car trunk. Heat will cause the gas pressure to increase, which may open the relief valve and allow gas to escape.
  - k. Place dust cap on cylinder valve outlet whenever the cylinder is not in use. Only install the type of dust cap on the cylinder valve outlet that is provided with the cylinder valve. Other types of caps or plugs may result in leakage of propane.
  - l. Do not store a spare LP gas tank under or near this appliance.
  - m. Never fill the tank beyond 80 percent full.
  - n. A fire causing, serious injury or damage to property may occur if the above is not followed exactly.
7. Never attempt to attach this grill to the self-contained LP gas system of a camper trailer, motor home, or house.
8. The use of alcohol, or prescription or non-prescription drugs may impair the consumer's ability to properly assemble or safely operate the appliance.
9. Never use charcoal, lighter fluid, lava rocks, gasoline, kerosene, or alcohol with this product.
10. Your grill has been checked at all factory connections for leaks. Recheck all connections, as movement in shipping can loosen connections.
11. Check for leaks even if your unit was assembled for you by someone else.
12. Do not operate if gas leak is present. Gas leaks may cause a fire or explosion.
13. You must follow all leak-checking procedures before operating. To prevent fire or explosion hazard when testing for a leak:
  - a. Always perform leak test before lighting the grill and each time the tank is connected for use.
  - b. No smoking. Do not use or permit sources of ignition in the area while conducting a leak test.
  - c. Conduct the leak test outdoors in a well-ventilated area.
  - d. Do not use matches, lighters, or a flame to check for leaks.
  - e. Do not use grill until any and all leaks are corrected. If you are unable to stop a leak, disconnect the LP gas supply. Call a gas appliance serviceman or your local LP gas supplier.
14. Do not store or use gasoline or other flammable liquids or vapors within 25 feet (7.62 m) of this appliance.
15. Do not use in an explosive atmosphere. Keep grill area clear and free from combustible materials, gasoline and other flammable vapors and liquids.
16. Minimum clearance from sides and back of unit to combustible construction, 21 inches from side and 21 inches from back. Do not use this appliance under overhead combustible surfaces.
17. It is essential to keep the grill's valve compartment, burners, and circulating air passages clean. Inspect grill before each use.
18. Do not alter grill in any manner.
19. Do not use the grill unless it is COMPLETELY assembled and all parts are securely fastened and tightened.
20. This grill should be thoroughly cleaned and inspected on a regular basis. Clean and inspect the hose before each use of the appliance. If there is evidence of abrasion, wear, cuts, or leaks, the hose must be replaced prior to the appliance being put into operation.
21. Use only the regulator and hose assembly provided. The replacement regulator and hose assembly shall be that specified by the manufacturer.
22. Use only Blue Rhino Global Sourcing, LLC. factory authorized parts. The use of any part that is not factory authorized can be dangerous. This will also void your warranty.
23. Do not use this appliance without reading "Operating Instructions" in this manual.
24. Do not touch metal parts of grill until it has completely cooled (about 45 min.) to avoid burns, unless you are wearing protective gear (pot holders, gloves, BBQ mittens, etc.).
25. When cooking, fire extinguishing materials shall be readily accessible. In the event of an oil grease fire, do not attempt to extinguish with water. Use type BC dry chemical fire extinguisher or smother with dirt, sand or baking soda.
26. Do not install or use in or on boats or recreational vehicles.
27. Do not use grill in high winds.
28. Never lean over the grill when lighting.
29. Do not leave a lit grill unattended, especially keep children and pets away from grill at all times.
30. Do not attempt to move grill when in use. Allow the grill to cool before moving or storing.
31. Storage of grill indoors is permissible only if the tank is disconnected, removed from the grill and properly stored outdoors.
32. Always open grill lid carefully and slowly as heat and steam trapped within grill can severely burn you.
33. Do not attempt to disconnect the gas regulator from the tank or any gas fitting while the grill is in use.
34. Always place your grill on a hard non-combustible, level surface. An asphalt or blacktop surface may not be acceptable for this purpose.
35. Move gas hoses as far away as possible from hot surfaces and dripping hot grease.
36. Keep all electrical cords away from a hot grill.
37. Do not use grill for indoor cooking or heating. TOXIC fumes can accumulate and cause asphyxiation.
38. After a period of storage and/or nonuse, check for leaks, burner obstructions and inspect for any abrasion, wear, cuts to the hose.
39. Failure to open lid while igniting the grill's burners, or not waiting 5 minutes to allow the gas to clear if the grill does not light, may result in an explosive flame-up.
40. If grill is not in use, the gas must be turned off at the supply tank.
41. Never operate grill without heat plates installed.
42. Always use a meat thermometer to ensure food is cooked to a safe temperature.
43. Please use protective gloves when assembling this product.
44. Do not force parts together as this can result in personal injury or damage to the product.
45. Deaths, serious injury or damage to property may occur if the above is not followed exactly.

Contact 1.800.762.1142 for assistance. Do not return to place of purchase.

## Parts List

- 1 Warming Rack
- 2 Handle
- 3 Temperature Gauge
- 4 Left Cooking Grid
- 5 Right Cooking Grid
- 6 Lid
- 7 Heat Plate
- 8 Grills Body Assembly
- 9 Back Panel
- 10 Side Shelf
- 11 Top Frame Support (2)
- 12 Left Condiment Holder
- 13 Control Knob (3)
- 14 LP Gas Tank Shield
- 15 Side Burner Assembly
- 16 Side Burner Grid
- 17 Side Burner
- 18 Regulator/Hose Assembly
- 19 QCC Clip
- 20 Ignitor Button
- 21 Grease Cup
- 22 Rear Left Leg
- 23 Grease Cup Support
- 24 Rear Right Leg
- 25 Front Left Leg
- 26 Cart Frame Tank Guard
- 27 Right Condiment Holder
- 28 LP Gas Tank Retainer Wire
- 29 Top Front Panel
- 30 Front Right Leg
- 31 Side Burner Control Knob Support
- 32 Lighting Hook
- 33 Side Burner Control Knob
- 34 Bottom Front Panel
- 35 Tank Guard (2)
- 36 Hub Cap (2)
- 37 Wheel (2)
- 38 Bottom Left Frame Support
- 39 Bottom Right Frame Support
- 40 Front Condiment Basket
- 41 Axle

## Exploded View

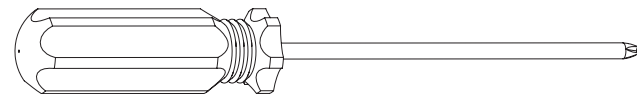


## Hardware

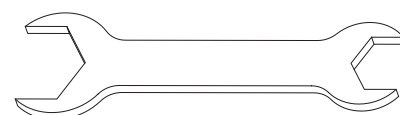
| Letter | Part Name     | Specification                         | Quantity |
|--------|---------------|---------------------------------------|----------|
| A      | Screw         | M4x10 Zinc Plated Phillips Truss Head | 3 pcs    |
| B      | Screw         | M5x10 Zinc Plated Phillips Truss Head | 1 pc     |
| C      | Screw         | M6x16 Zinc Plated Phillips Truss Head | 2 pcs    |
| D      | Screw         | M6x16 Zinc Plated Phillips Truss Head | 36 pcs   |
| E      | Nut           | M5 Zinc Plated                        | 4 pcs    |
| F      | Nut           | M10 Zinc Plated                       | 2 pcs    |
| G      | Wing Nut      | M6 Zinc Plated                        | 7 pcs    |
| H      | Washer        | ø4.3 Zinc Plated                      | 2 pcs    |
| I      | Washer        | ø6.4 Zinc Plated                      | 40 pcs   |
| J      | Lock Washer   | ø4.3 Zinc Plated                      | 2 pcs    |
| K      | Lock Washer   | ø6.4 Zinc Plated                      | 34 pcs   |
| L      | Rubber Spacer | ø10.5 x ø17.5 x 6                     | 2 pcs    |
| M      | AA Battery    |                                       | 1 pc     |

## Tools Required for Assembly (Included)

#2 Phillips Head Screwdriver



M5 - M10 Wrench



### Assembly Instructions

**DO NOT RETURN PRODUCT TO STORE.**

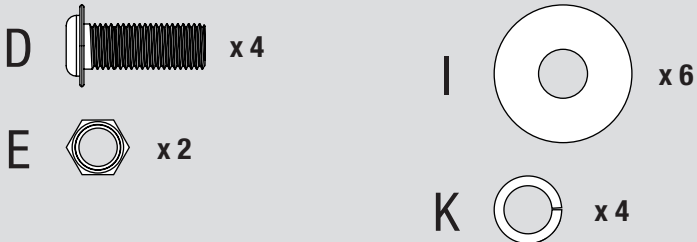
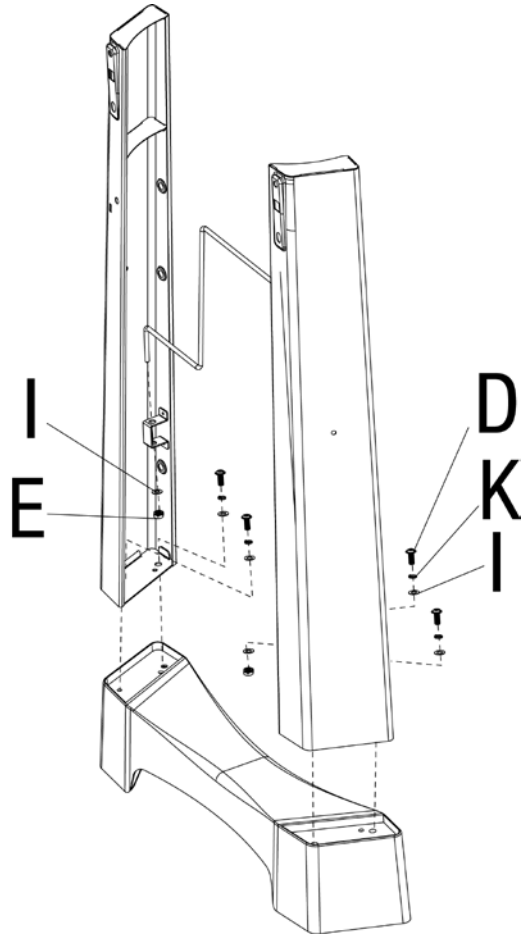
For assistance call **1.800.762.1142** toll free. Please have your owner's manual and serial number available for reference.

For Easiest Assembly:

- To avoid losing any small components or hardware, assemble your product on a hard level surface that does not have cracks or openings.

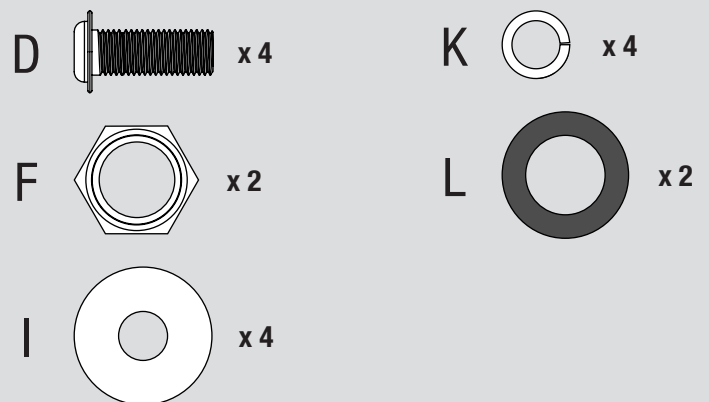
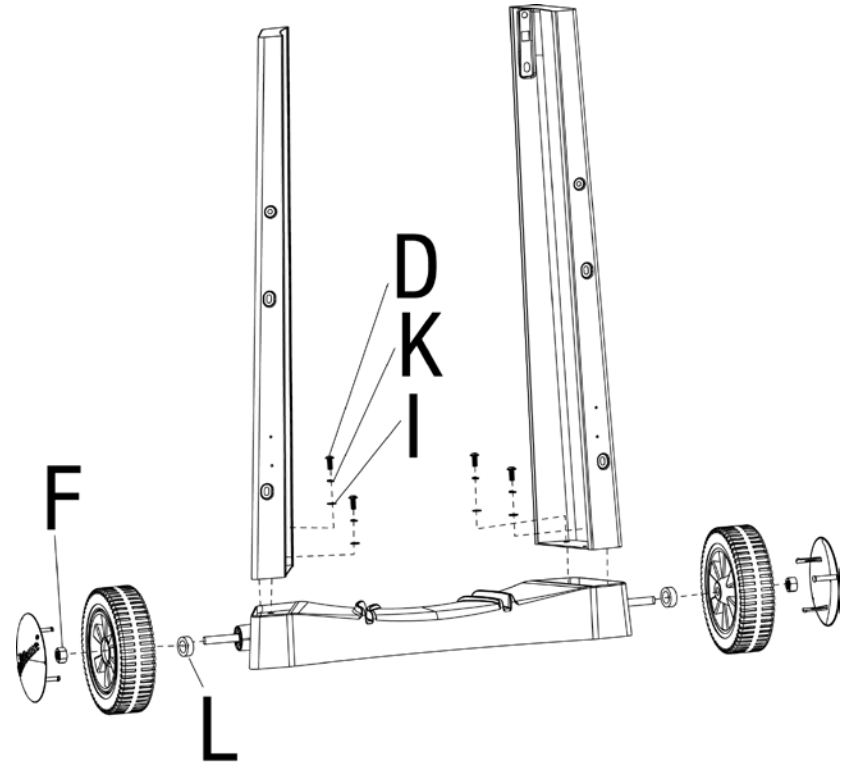
# 1

### Assemble Left Cart Frame



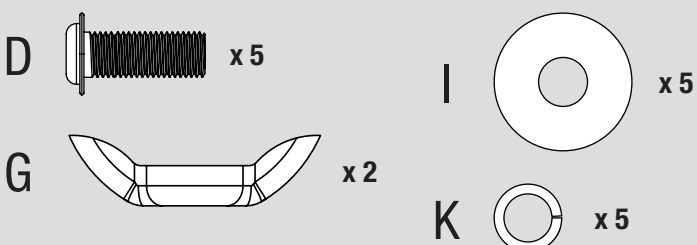
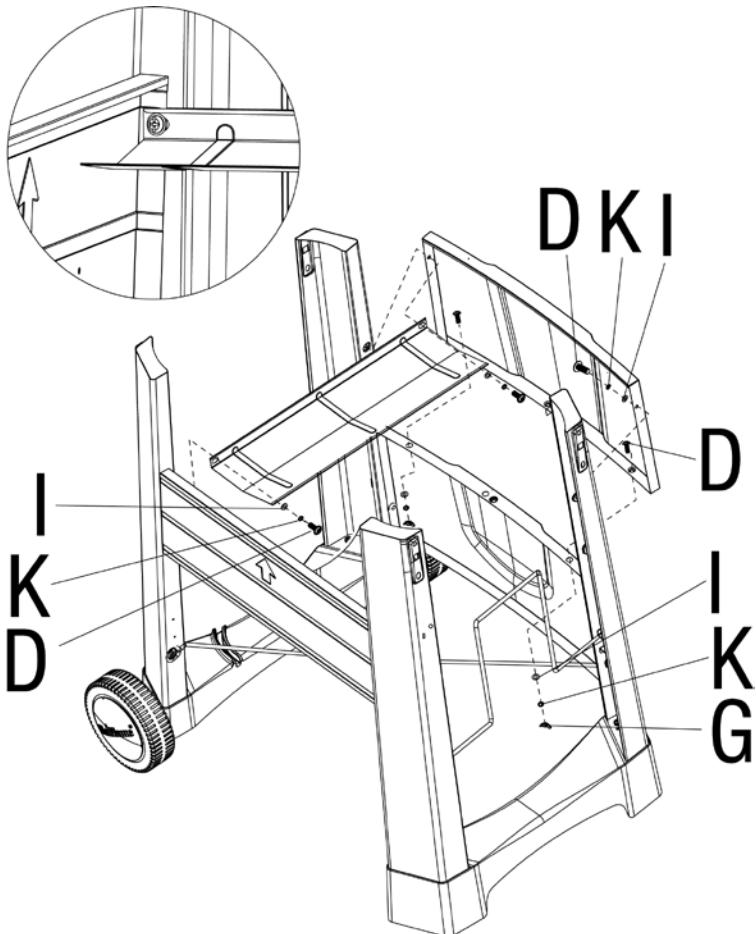
# 2

### Assemble Right Cart Frame



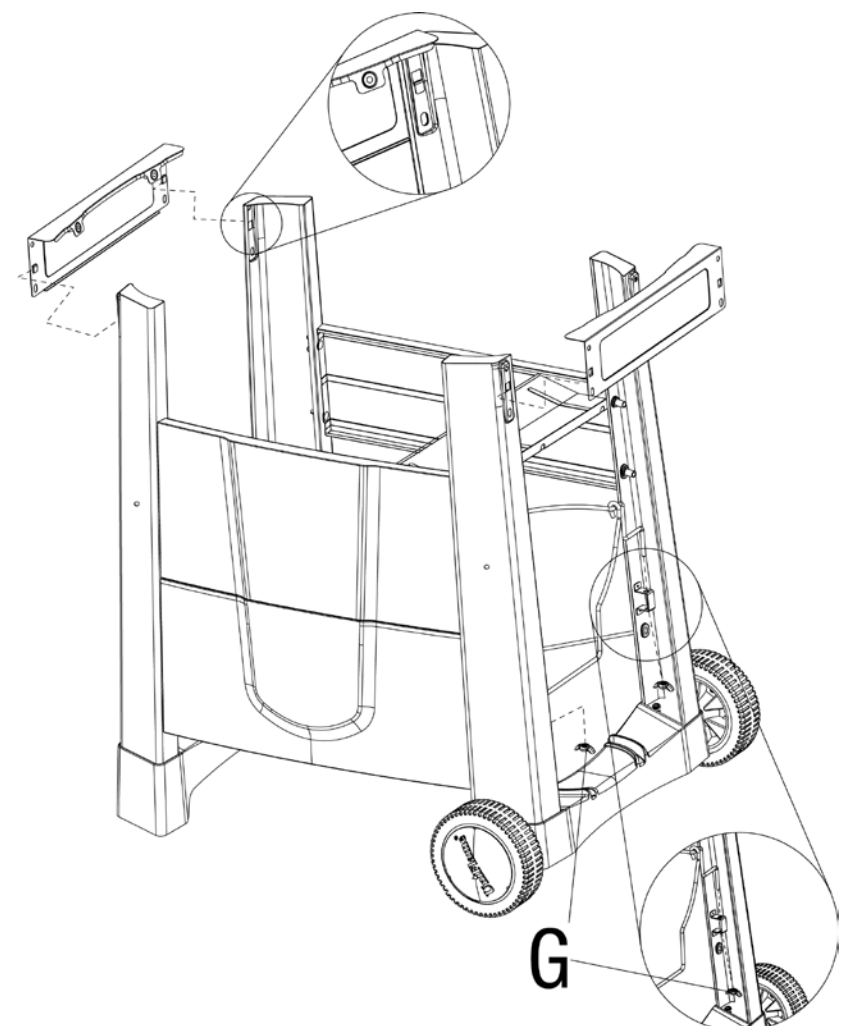
# 5

### Attach LP Gas Tank Shield, and Top Front Panel



# 6

### Attach Top Left and Right Frame Supports and Attach LP Gas Tank Retainer Wire

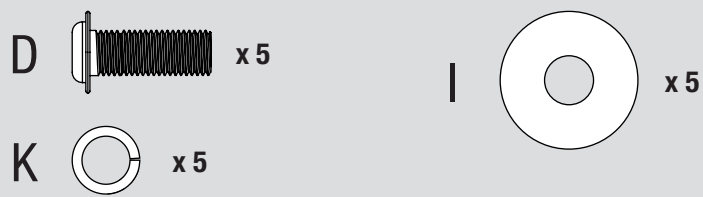
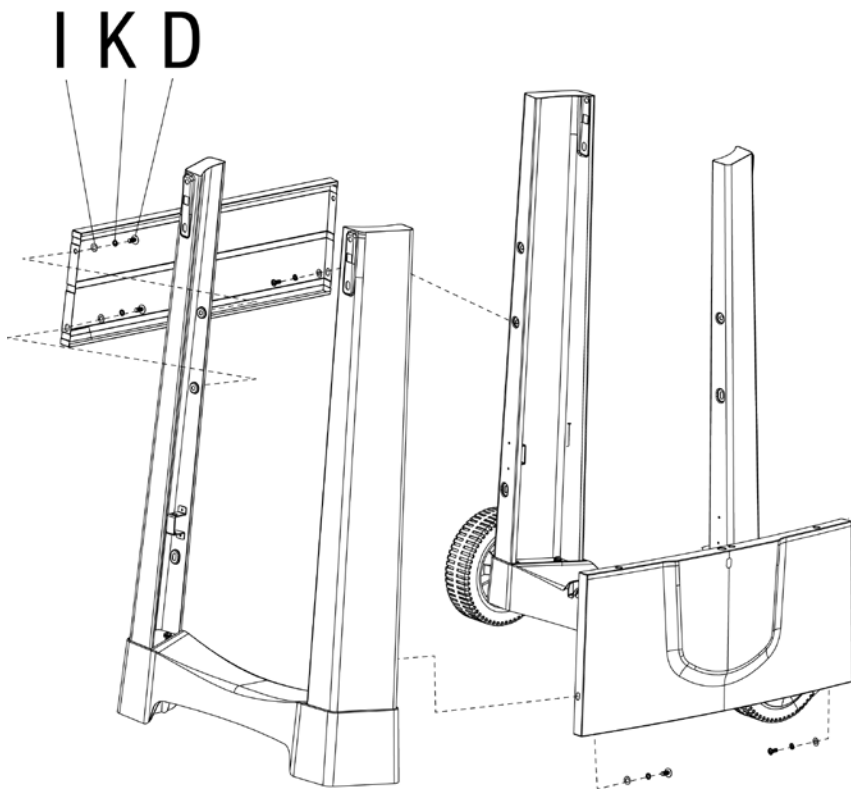


Contact 1.800.762.1142 for assistance. Do not return to place of purchase.

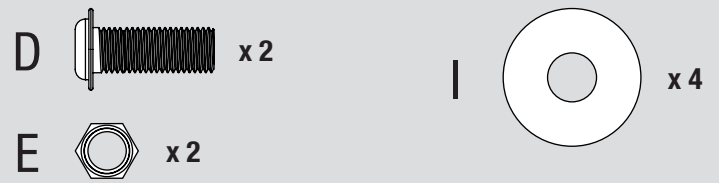
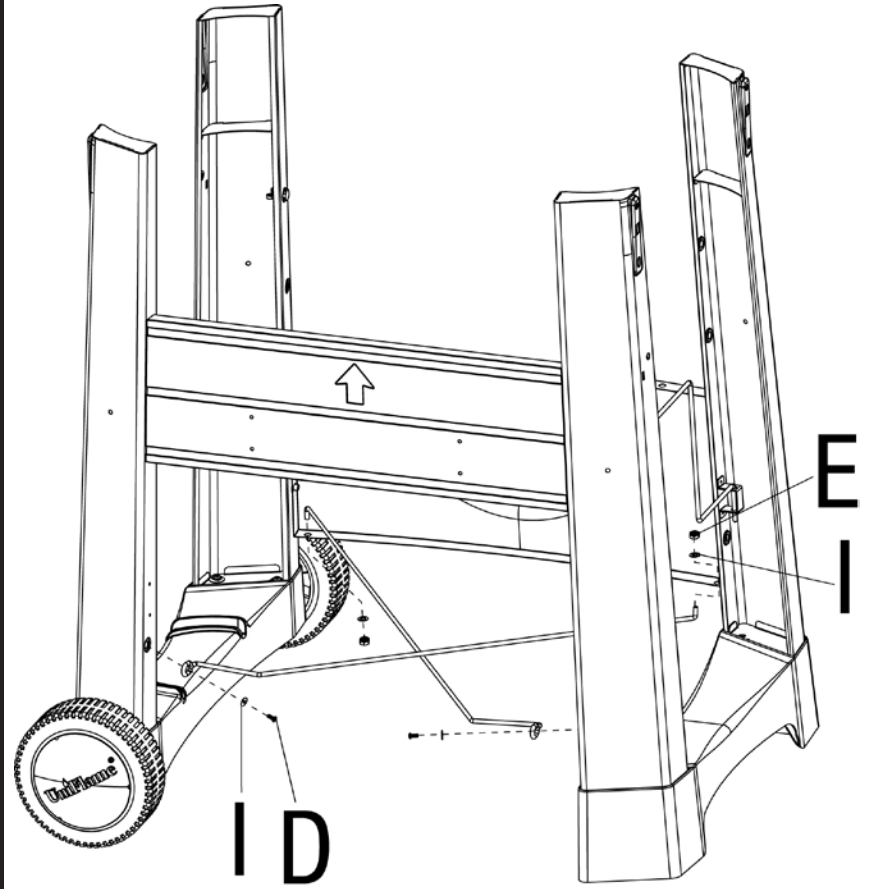
- Clear an area large enough to layout all components and hardware.
- When applicable, tighten all hardware connections by hand first. Once the step is completed, go back and fully tighten all hardware.

- Follow all steps in order to properly assemble your product.

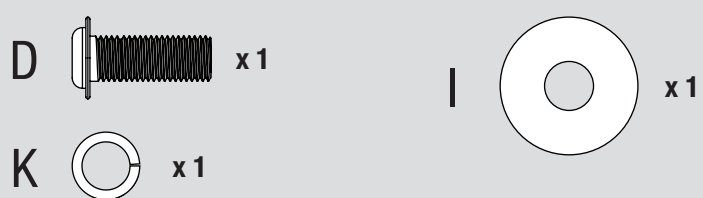
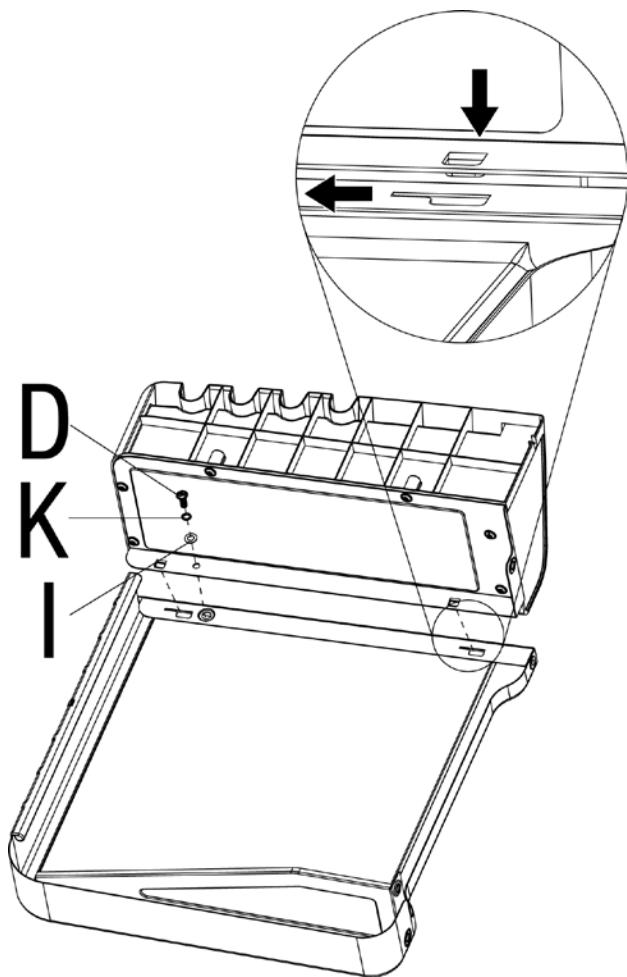
### 3 Attach Back Panel and Bottom Front Panel



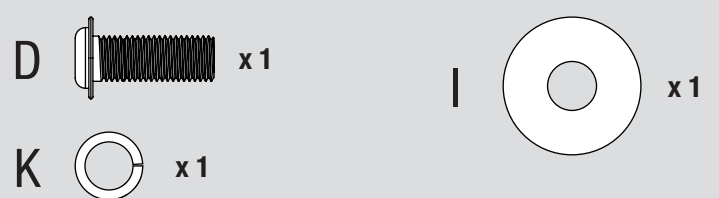
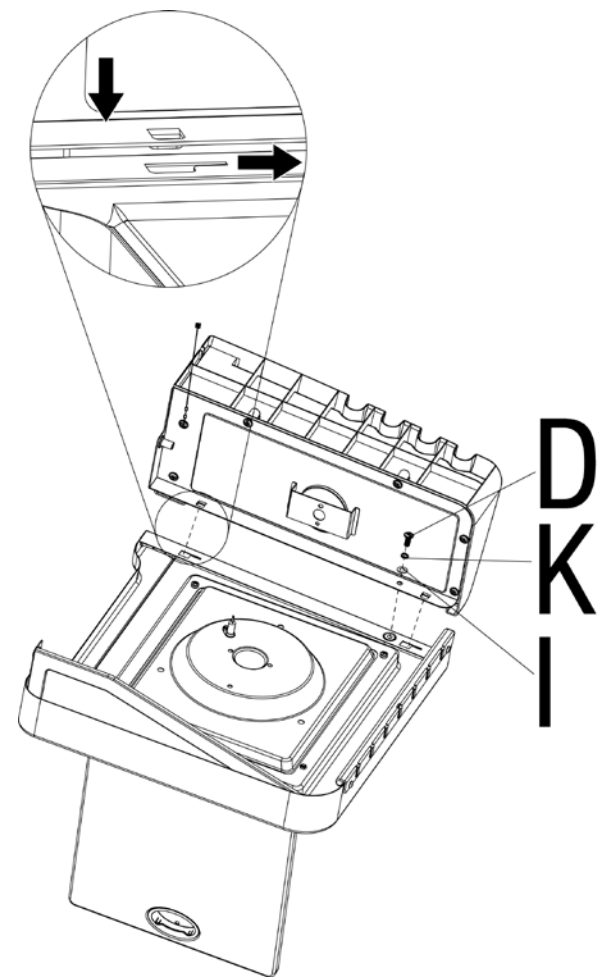
### 4 Attach Tank Guards



### 7 Assemble Left Side Shelf



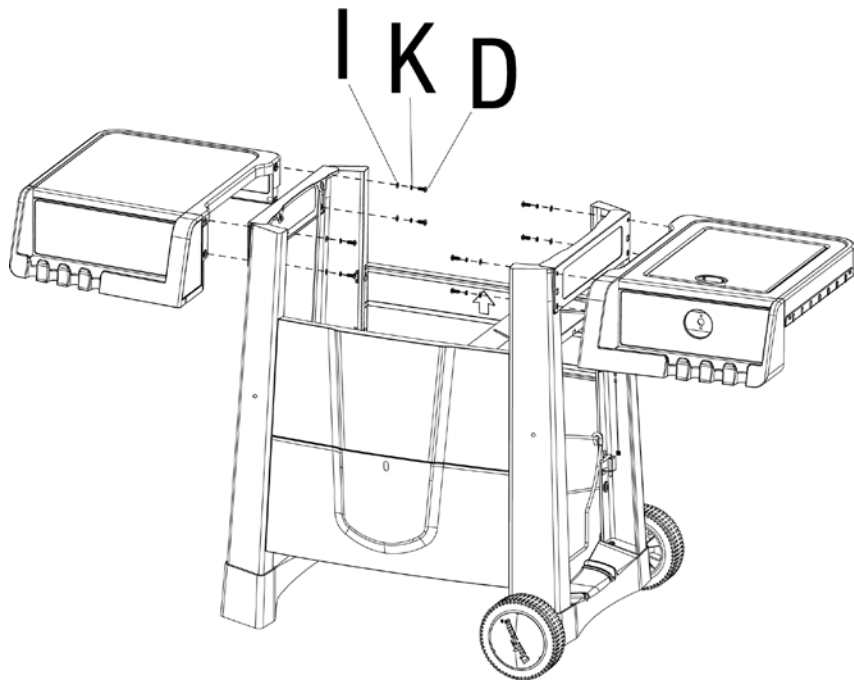
### 8 Assemble Side Burner

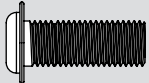
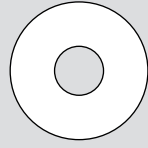



**Assembly Instructions (continued)**

**9**

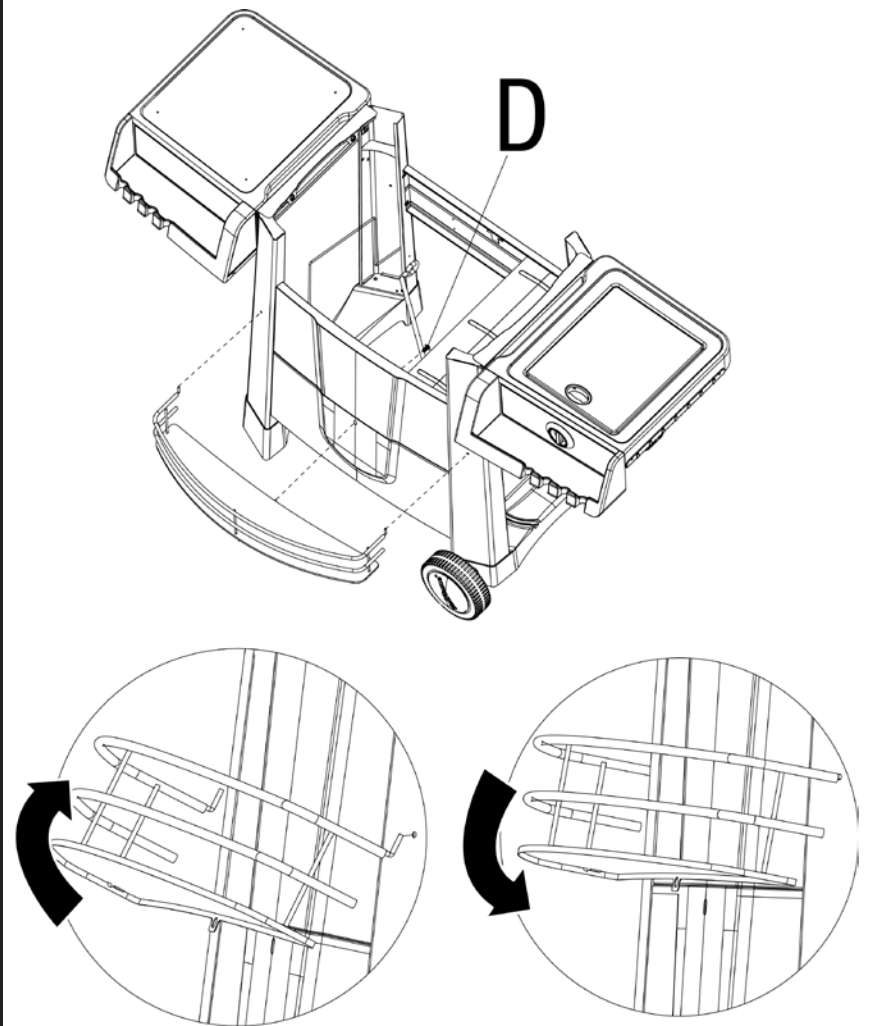
**Attach Side Shelves**

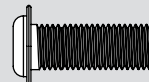


- D  x 8
- I  x 8
- K  x 8

**10**

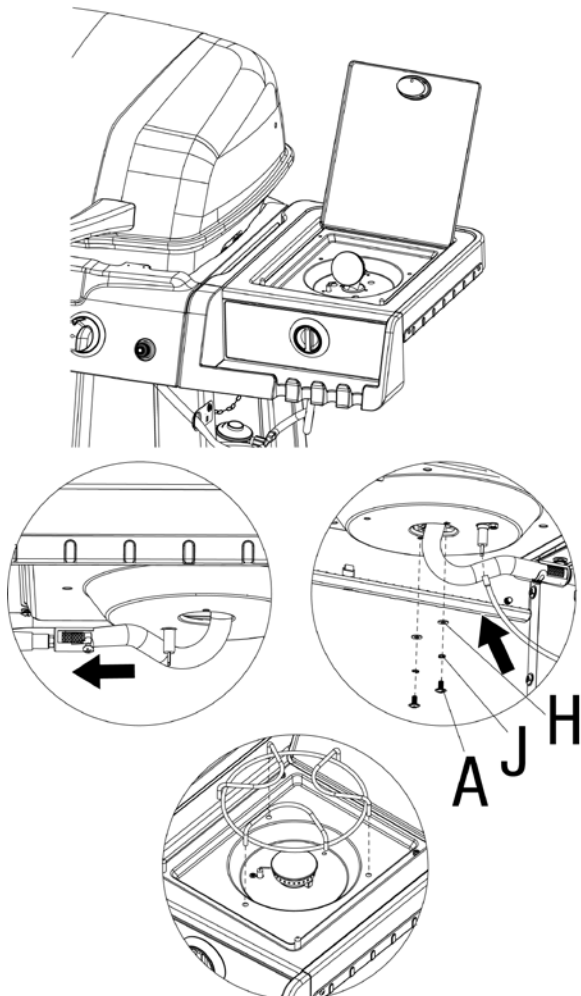
**Attach Front Condiment Basket**

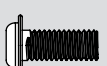




- D  x 1

**13**

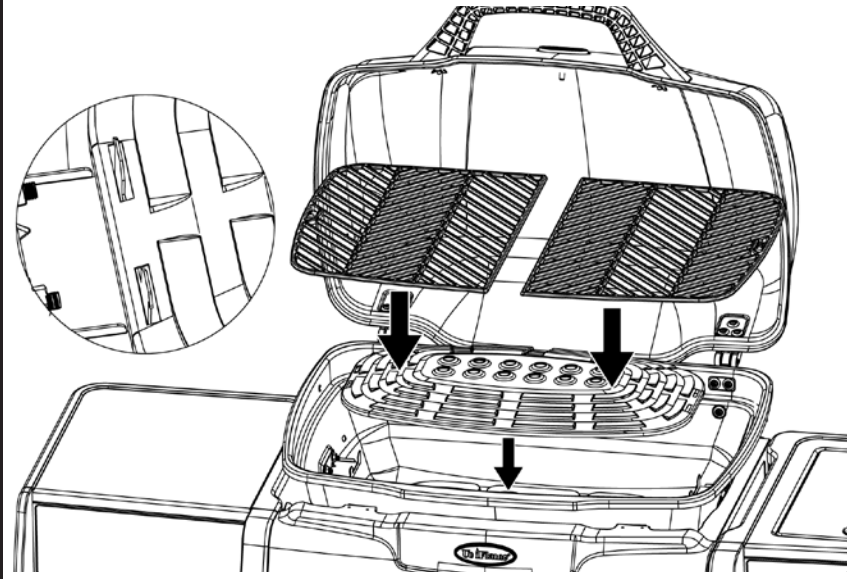
**Attach Side Burner, Side Burner Grid**



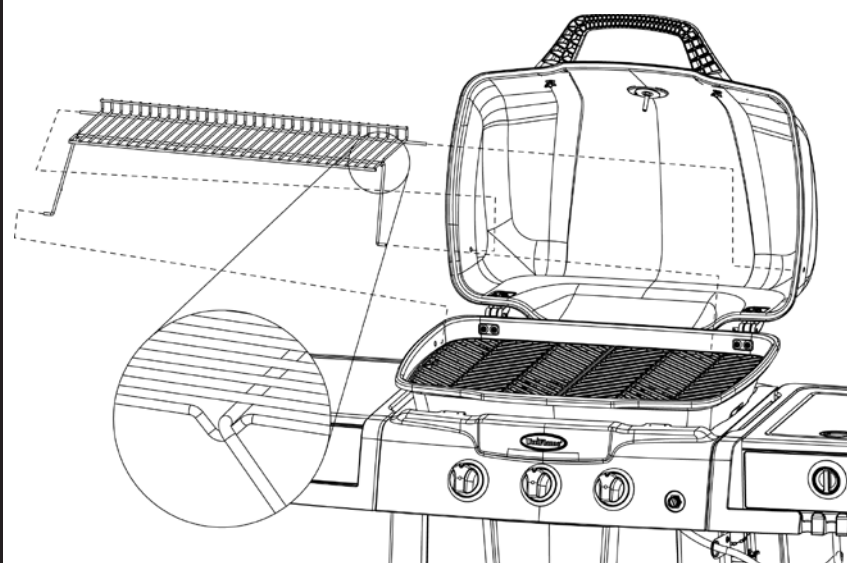
- A  x 2
- H  x 2
- J  x 2

**14**

**Insert Heat Plate and Cooking Grids**



**Insert Warming Rack**


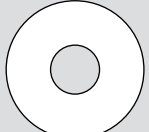



Contact 1.800.762.1142 for assistance. Do not return to place of purchase.

# 11

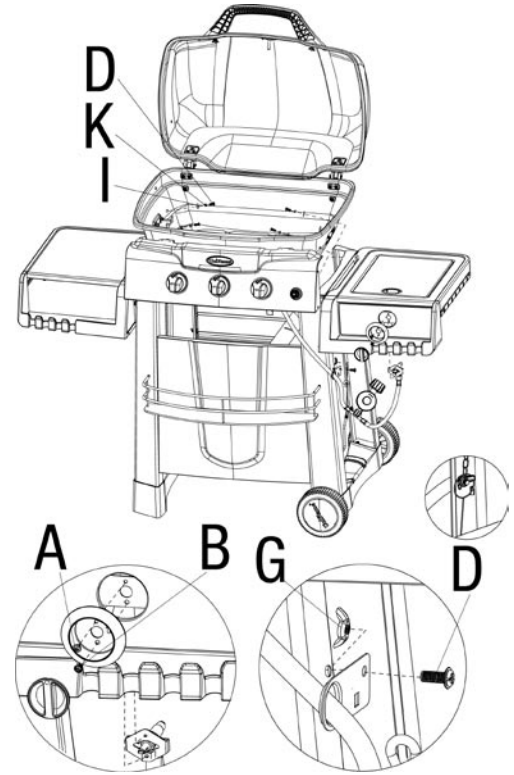
## Attach Handle

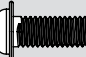
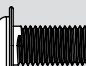
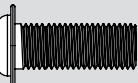
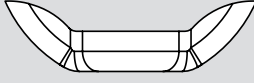
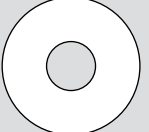



- G  x2
- I  x2
- K  x2

# 12

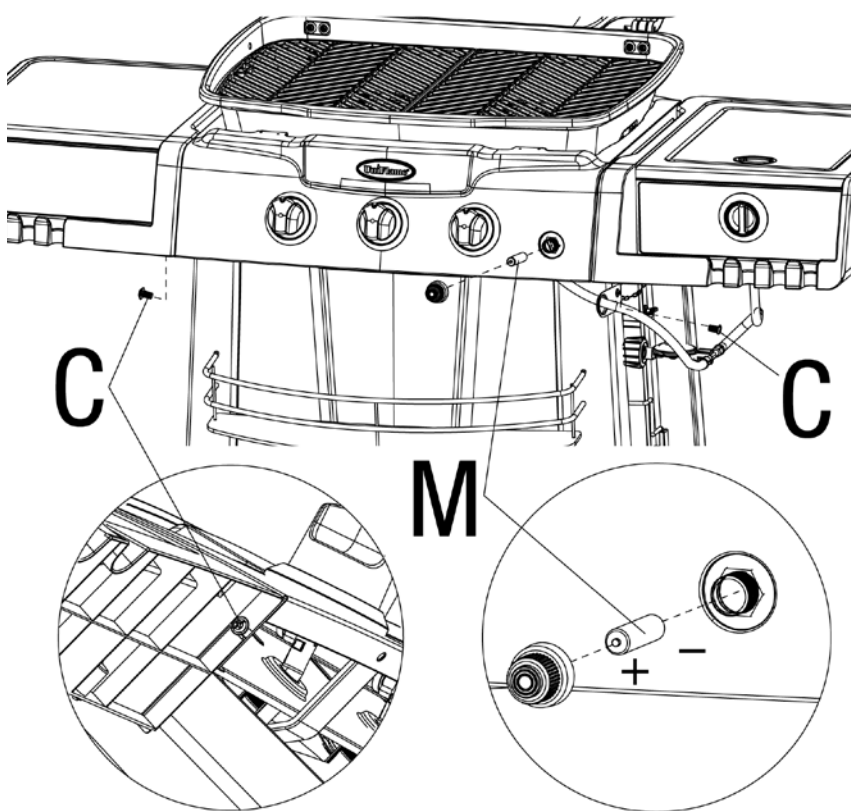
## Attach Grill Body Assembly, Side Burner Control Knob Support, Side Burner Control Knob, QCC Clip

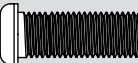



- A  x1
- B  x1
- D  x5
- G  x1
- I  x4
- K  x4

# 15

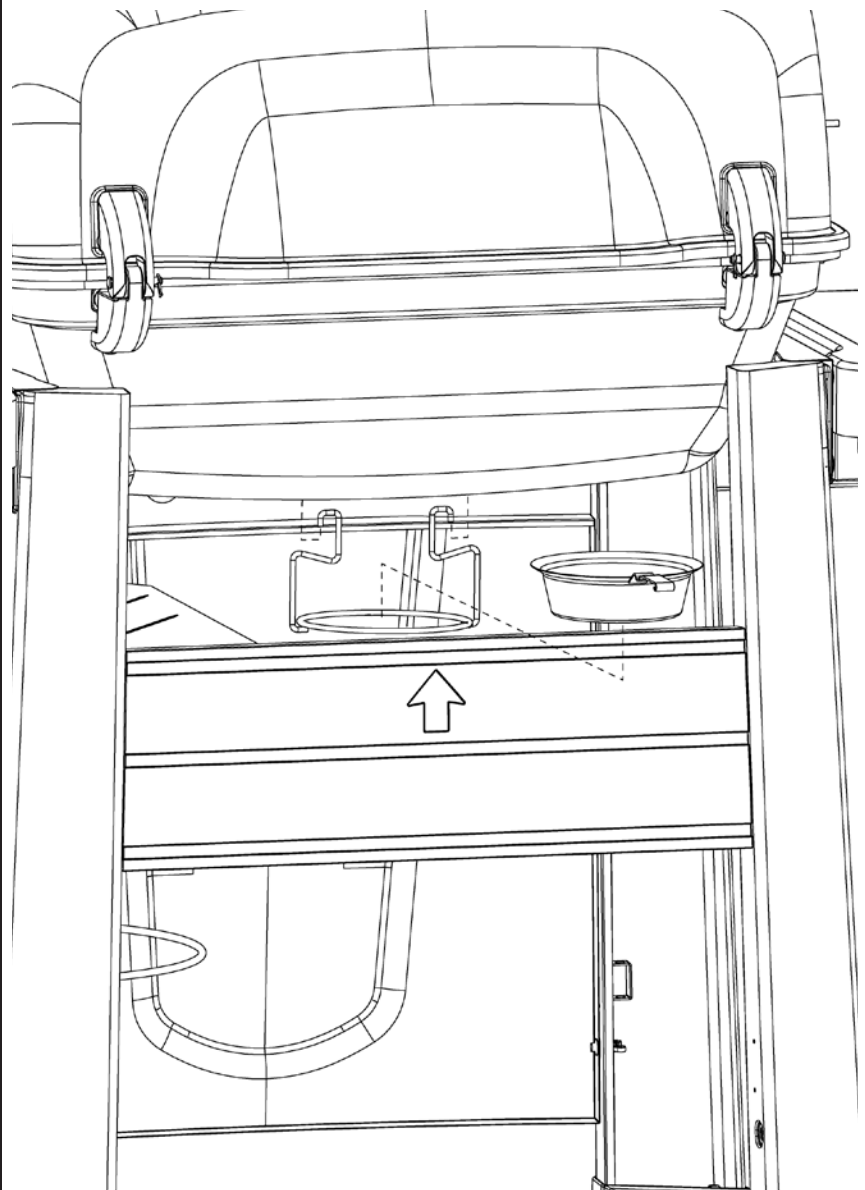
## Secure Control Panel and Insert Battery



- C  x2
- M  x1

# 16

## Attach Grease Cup Support and Grease Cup



### Installing LP Gas Tank

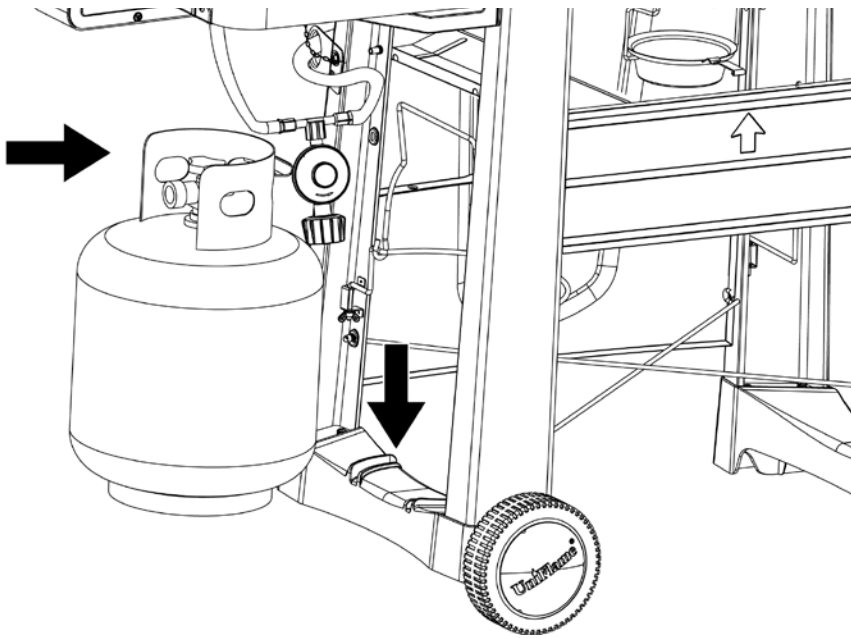
To operate you will need (1) precision-filled standard grill LP gas tank (20#) with external valve threads.

*Note:* An empty standard grill LP gas tank weighs approximately 18 lbs. A precision-filled standard grill LP gas tank should weigh no more than 38 lbs.



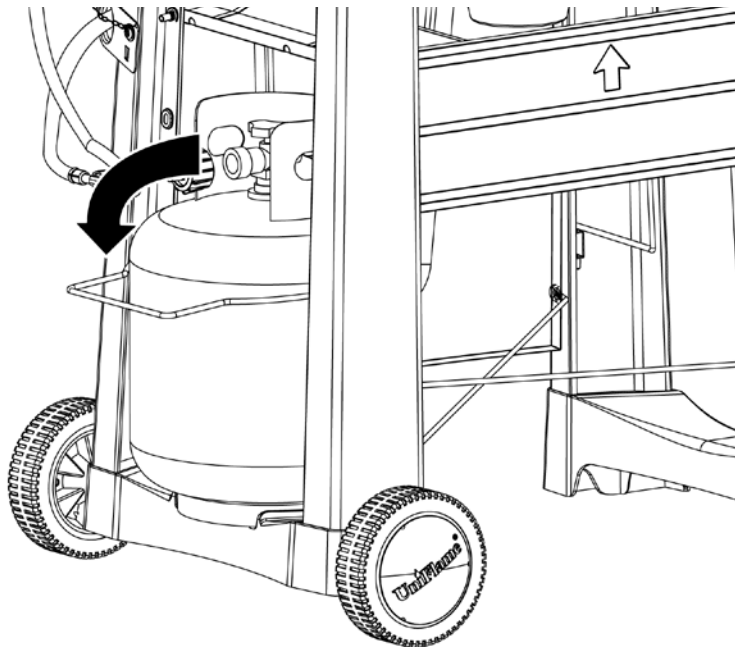
### Insert LP Gas Tank

Place precision filled LP gas tank upright into hole in grill body so it is arranged for vapor withdrawal.



### Secure LP Gas Tank

Secure tank by sliding tank retainer wire over shoulder of LP gas tank.



### Connect LP Gas Tank

Before connecting, be sure that there is no debris caught in the head of the LP gas tank, head of the regulator valve or in the head of the burner and burner ports.

Connect gas line to tank by turning knob clockwise until it stops.



### Disconnect LP Gas Tank

Before disconnecting make sure the LP gas tank valve OFF.

Disconnect gas line to tank by turning knob counterclockwise until it is loose.



**Need a tank of gas?** Try tank exchange service. It's easy, fast, safe, and available at tens of thousands of conveniently located retail outlets nationwide. You can purchase a new full tank or exchange your empty for a precision filled one.

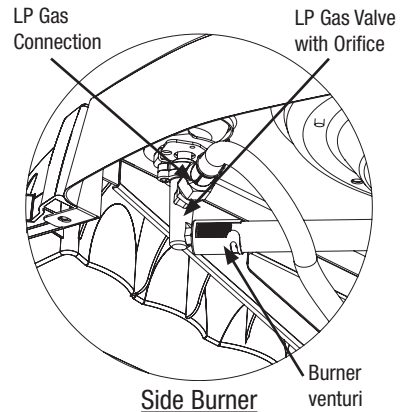
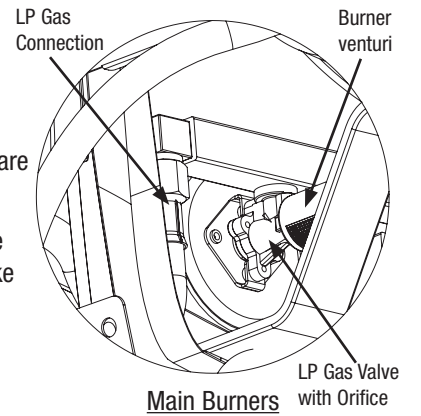
### Operating Instructions

#### Checking for Leaks

##### Burner Connections

Make sure the regulator valve and hose connections are securely fastened to the burner and the tank.

If your unit was assembled for you, visually check the connection between the burner pipe and orifice. Make sure the burner pipe fits over the orifice.



#### WARNING

##### FOR YOUR SAFETY:

**Failure to inspect this connection or follow these instructions could cause a fire or an explosion which can cause death, serious bodily injury, or damage to property.**

Please refer to diagram for proper installation.

If the burner pipe does not rest flush to the orifice, please contact 1.800.762.1142 for assistance.

##### Tank/Gas Line Connection

Make 2-3 oz. of leak solution by mixing one part liquid dishwashing soap with three parts water.

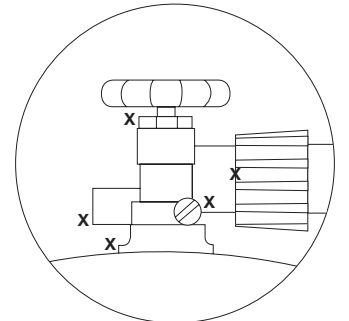
Make sure control knobs are off.

Turn LP gas tank ON at valve.

Spoon leak check solution at all "x" locations

If any bubbles appear turn LP gas tank OFF, reconnect and re-test. If you continue to see bubbles after several attempts, disconnect LP gas source and contact 1.800.762.1142 for assistance.

If no bubbles appear after one minute turn tank OFF, wipe away solution and proceed.



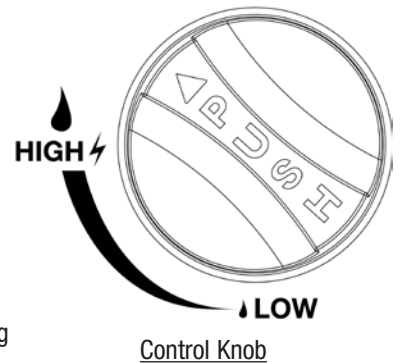
LP Gas Tank Valve

OFF

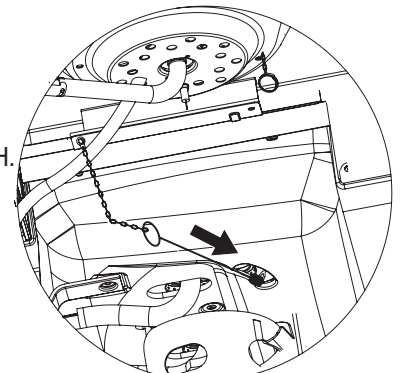
#### Operating Main Burners

##### Lighting

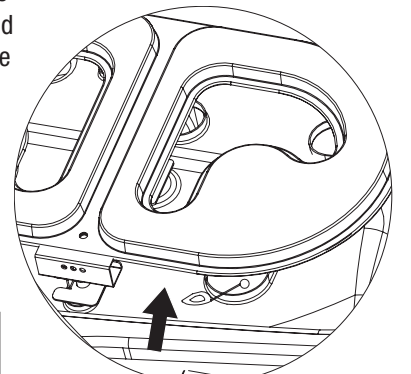
1. Open lid. Attempting to light the burner with the lid closed may cause an explosion!
2. Make sure there are no obstructions of airflow to the gas unit. Spiders and insects can nest within and clog the burner / venturi tube at the orifice. A clogged burner tube can lead to a fire beneath the appliance.
3. All control knobs must be in the OFF position.
4. Turn on gas at LP gas tank.
5. Push and turn control knob counterclockwise to HIGH.
6. Press the electronic igniter button and hold for 5 seconds to light burner.
7. If ignition does not occur in 5 seconds, turn burner control knob OFF, wait 5 minutes, and repeat lighting procedure.
8. If igniter does not light burner, use a lit match secured with the lighting rod provided to light burners manually. Access the burners through the cooking grid and heat plates. Position the lit match near side of the burner.
9. After lighting, observe the burner flame, make sure all burner ports are lit and flame height matches illustration.



Control Knob



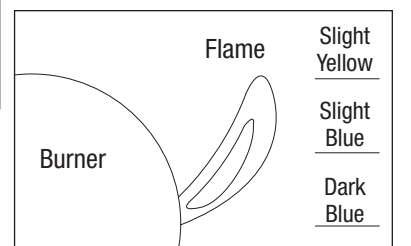
Main Burner Lighting Rod Insert



Main Burner Lighting Rod Placement

#### Caution

**If burner flame goes out during operation, immediately turn the gas "OFF" and open lid to let the gas clear for about 5 minutes before re-lighting.**



Main burner proper flame height.



Contact 1.800.762.1142 for assistance. Do not return to place of purchase.

### Turning Off

1. Turn gas off at LP tank.
2. Turn all control knobs clockwise to the OFF position.

### First Use

1. Make sure all labels, packaging and protective films have been removed from the grill.
2. Remove manufacturing oils before cooking on this grill for the first time, by operating the grill for at least 15 minutes on "HIGH" with the lid closed. This will "heat clean" the internal parts and dissipate odors.

### Direct Cooking

Cooking directly over hot burners. Ideal for searing in juices and food requiring less than 25 minutes of grilling time, such as steaks, hamburgers, hot dogs, chicken parts, vegetables and fruit.

1. Open lid and ignite the desired amount of burners per lighting instructions in owner's manual.
2. Close lid and preheat grill on "HIGH".
3. Wear protective gloves and use long handle tongs to place food onto cooking grids above the lit burners.
4. Adjust controls to desired temperature.
5. With lid open or closed, cook until desired internal food temperatures are achieved.
6. Turn grill OFF by first closing the valve on the propane tank. Burn off remaining gas in lines by waiting 15 seconds then turn all burner controls to the OFF position. A "poof" sound is normal as the last of the LP gas is burned.

### Indirect Cooking

Not cooking directly over hot burners. Ideal for slow cooking and foods requiring more than 25 minutes such as most roasts, loins, chops, whole chickens, turkey, fish and baked goods.

1. Open lid and ignite the desired amount of burners per lighting instructions in owner's manual.
2. Close lid and preheat grill on "HIGH".
3. Wear protective gloves and use long handle tongs to place food onto cooking grids above the un-lit burners.
4. Adjust controls to desired temperature.
5. With lid closed, cook until desired internal food temperatures are achieved.
6. Turn grill OFF by first closing the valve on the propane tank. Burn off remaining gas in lines by waiting 15 seconds then turn all burner controls to the OFF position. A "poof" sound is normal as the last of the LP gas is burned.

For more tips on indirect cooking please see "Tips for Better Cookouts and Longer Grill Life"

### Tips for Better Cookouts and Longer Grill Life

1. For food safety tips visit: [http://www.fsis.usda.gov/Fact\\_Sheets/Barbecue\\_Food\\_Safety/](http://www.fsis.usda.gov/Fact_Sheets/Barbecue_Food_Safety/)
2. Use the upper cooking grid (warming rack) for keeping cooked food warm, toasting breads or cooking delicate foods in aluminum foil pouches.
3. Use the side burner of this appliance like a normal kitchen range for boiling, sautéing or frying.
4. To keep food from sticking to the grids, spray or coat with cooking oil before lighting.
5. To reduce flare-up keep grill clean, use lean cuts of meat (or trim fat) and avoid cooking on very high temperatures.
6. Place delicate foods like fish and vegetables in aluminum foil pouches and indirect cook or place on upper cooking levels (warming rack).
7. To avoid losing natural juices, use long handled tongs or spatulas instead of forks and turn foods over just once during cooking.
8. When direct cooking adjust your burners to different levels so foods can be prepared to different internal temperatures in the same time frame.
9. When in-direct cooking roasts and larger cuts of meat, place meat onto a roasting rack inside a heavy gauge metal pan. Place pan over the un-lit burners.
10. Try water pans to reduce flare-ups and cook juicer meats. Before starting grill remove cooking grids and place a heavy duty shallow pan directly on heat plates. Fill half way with water, fruit juices or other flavored liquids. Replace cooking grids and position food over the loaded pan.
11. Enhance food flavors by using wood chips in smoker boxes or aluminum foil pouches. Follow the wood manufacturer's instructions.
12. Rotisseries, grill baskets, vertical poultry holders and other accessories can enhance your experiences, reduce cooking times and aid in clean-up.
13. Clean cooking grids and racks after every use with a quality grill brush designed for your grid material. Wear protective gloves and gently remove the build-up while grids are hot.
14. After every use, allow grill to cool. Then protect clean cooking grids with a light coat of cooking oil, empty grease pan, wipe outside surfaces with a suitable kitchen cleaner and protect surfaces with a quality cover that is properly fits your grill.
15. Visit websites like [www.bluerhino.com](http://www.bluerhino.com), watch barbecue themed TV shows or purchase related barbecue cookbooks to learn more interesting tips like – *A gas grill is ideal for reheating leftover pizza. Set burners on low and place pizza slices directly on preheated cooking grid. Close lid and cook until cheese starts to bubble.*

### Operating Side Burner

NOTE: Side burner can be used while main burners are operating.  
Never use side burner as a grill.

### Lighting

1. Open lid. Attempting to light the burner with the lid closed may cause an explosion!
2. Make sure there are no obstructions of airflow to the gas unit. Spiders and insects can nest within and clog the burner / venturi tube at the orifice. A clogged burner tube can lead to a fire beneath the appliance.
3. Control knob must be in the OFF position.
4. Turn on gas at LP gas tank.
5. Push and turn control knob counterclockwise to HIGH.
6. Press the electronic igniter button and hold for 5 seconds to light burner.
7. If ignition does not occur in 5 seconds, turn burner control knob OFF, wait 5 minutes, and repeat lighting procedure.
8. If igniter does not light burner, use a lit match secured with the lighting rod provided to light burners manually. Position the lit match near side of the burner.

Important: Always use the lighting rod provided when lighting burners with a match.

9. After lighting, please observe the burner flame, make sure all burner ports are lit and flame height matches illustration.

CAUTION: If burner flame goes out during operation, immediately turn the gas "OFF" and open lid to let the gas clear for about 5 minutes before re-lighting.

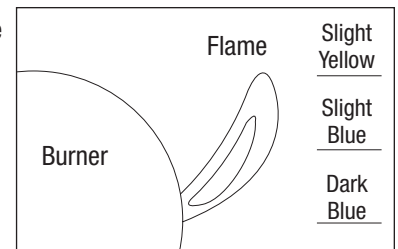
### Turning Off

1. Turn gas off at LP gas tank.
2. Turn control knob clockwise to the OFF position.

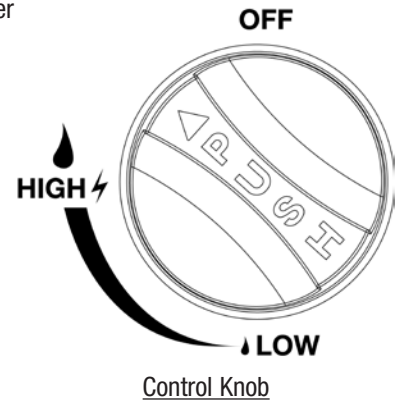
Note: A "poof" sound is normal as the last of the LP gas is burned.

### Cooking

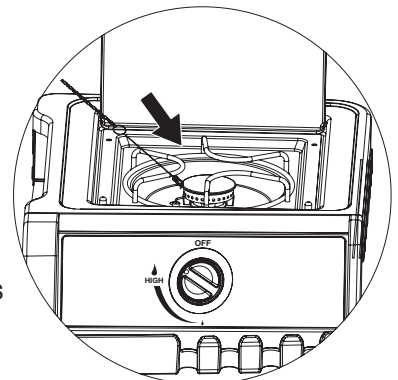
1. Light burner.
2. Set burner to desired temperature
3. Place pan on center of grid.
4. Cook and adjust temperature as needed.



Side burner proper flame height.



Control Knob



Side Burner Lighting Hook Placement

## Cleaning and Care

### Caution

1. All cleaning and maintenance should be done when grill is cool and with the fuel supply disconnected.
2. DO NOT clean any grill part in a self cleaning oven. The extreme heat will damage the finish.

### Notices

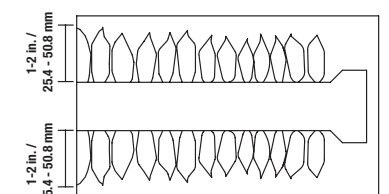
1. This grill should be thoroughly cleaned and inspected on a regular basis.
2. Abrasive cleaners will damage this product.
3. Never use oven cleaner to clean any part of grill.
4. Do not clean any grill part in a self cleaning oven. The extreme heat will damage the finish.

### Before Each Use:

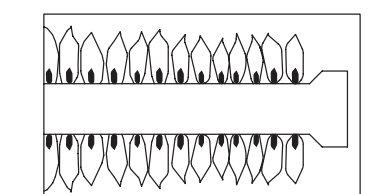
1. Keep the grill area clean and free from any combustible materials, gasoline, and other flammable vapors and liquids.
2. Do not obstruct the flow of the combustion of LP and the ventilation air.

### Burner Flame Conditions

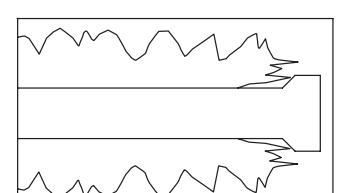
Use this chart check to see if your burners need to be cleaned.



Normal: Soft blue flames with yellow tips between 1 in. - 2 in. high.



Needs Cleaning: Noisy with hard blue flames.



Has to be cleaned: Wavy with yellow flames.



## Cleaning and Care (continued)

3. Keep the ventilation opening(s) of the LP gas tank area free and clear from debris.
4. Visually check the burner flames, to make sure your grill is working properly.
5. See cleaning instructions below for proper cleaning instructions.
6. Check and clean the burner/venturi tubes for insects and insect nests. A clogged tube can lead to a fire beneath the grill.

### Cleaning Surfaces

1. Wipe surfaces clean with mild dishwashing detergent or baking soda.
2. For stubborn surfaces use a citrus based degreaser and a nylon scrubbing brush.
3. Rinse clean with water.

### Cleaning Main Burner

1. Turn gas off at the control knobs and LP gas tank.
2. Remove cooking grid and heat plates.
3. Remove burner by removing the fasteners securing the burner to the grill bottom.
4. Lift burner up and away from gas valve orifice.
5. Disconnect wire from spark electrode.
6. Clean inlet (venturi) of burner with small bottle brush or compressed air.
7. Remove all food residue and dirt on burner surface.
8. Clean any clogged ports with a stiff wire (such as an opened paper clip)
9. Inspect burner for any damage (cracks or holes). If damage is found, replace with new burner.
10. Reinstall burner, check to insure that gas valve orifice is correctly positioned inside burner inlet (venturi). Also check position of spark electrode.
11. Replace heat plate and cooking grid.
12. Perform leak test.

### Cleaning Side Burner

1. Turn gas off at the control knobs and LP gas tank.
2. Remove side burner grid.
3. Remove burner by removing the screws securing the burner to the side shelf.
4. Lift burner up and away from gas valve orifice.
5. Clean inlet (venturi) of burner with small bottle brush or compressed air.
6. Remove all food residue and dirt on burner surface.
7. Clean any clogged ports with a stiff wire (such as an opened paper clip)
8. Inspect burner for any damage (cracks or holes). If damage is found, replace with new burner.
9. Reinstall burner, check to insure that gas valve orifice is correctly positioned inside burner inlet (venturi). Also check position of spark electrode.
10. Replace cooking grid.
11. Perform leak test.

## Product Registration

For faster warranty service, please register your product immediately at [www.bluerhino.com](http://www.bluerhino.com) or call 1.800.762.1142.

## Limited Warranty

Blue Rhino Global Sourcing, LLC ("Vendor") warrants to the original retail purchaser of this product, and to no other person, that if this product is assembled and operated in accordance with the printed instructions accompanying it, then for a period of one (1) year from the date of purchase, all parts in such product shall be free from defects in material and workmanship. Vendor may require reasonable proof of your date of purchase. Therefore, you should retain your sales slip or invoice. This Limited Warranty shall be limited to the repair or replacement of parts, which prove defective under normal use and service and which Vendor shall determine in its reasonable discretion upon examination to be defective. Before returning any parts, you should contact Vendor's Customer Service Department using the contact information listed below. If Vendor confirms, after examination, a defect covered by this Limited Warranty in any returned part, and if Vendor approves the claim, Vendor will replace such defective part without charge. If you return defective parts, transportation charges must be prepaid by you. Vendor will return replacement parts to the original retail purchaser, freight or postage prepaid.

This Limited Warranty does not cover any failures or operating difficulties due to accident, abuse, misuse, alteration, misapplication, improper installation or improper maintenance or service by you or any third party, or failure to perform normal and routine maintenance on the product as set out in this owner's manual. In addition, the Limited Warranty does not cover damage to the finish, such as scratches, dents, discoloration, rust or other weather damage, after purchase.

This Limited Warranty is in lieu of all other express warranties. Vendor disclaims all warranties for products that are purchased from sellers other than authorized retailers or distributors, including the warranty of merchantability or the warranty of fitness for a particular purpose. VENDOR ALSO DISCLAIMS AND ANY ALL IMPLIED WARRANTIES, INCLUDING WITHOUT LIMITATION THE IMPLIED WARRANTIES OF MERCHANTABILITY AND FITNESS FOR A PARTICULAR PURPOSE. VENDOR SHALL NO LIABILITY TO PURCHASER OR ANY THIRD PARTY FOR ANY SPECIAL, INDIRECT, PUNITIVE, INCIDENTAL, OR CONSEQUENTIAL DAMAGES. Vendor further disclaims any implied or express warranty of, and assumes no responsibility for, defects in workmanship caused by third parties.

This Limited Warranty gives the purchaser specific legal rights; a purchaser may have other rights depending upon where he or she lives. Some jurisdictions do not allow the exclusion or limitation of special, incidental or consequential damages, or limitations on how long a warranty lasts, so the above exclusion and limitations may not apply to everyone.

Vendor does not authorize any person or company to assume for it any other obligation or liability in connection with the sale, installation, use, removal, return, or replacement of its equipment, and no such representations are binding on Vendor.

Blue Rhino Global Sourcing, LLC  
Winston-Salem, North Carolina USA  
(800) 762-1142

Contact 1.800.762.1142 for assistance. Do not return to place of purchase.

## Troubleshooting

| <b>Problem</b>  | <b>Possible Cause</b>                                      | <b>Prevention/Cure</b>   |
|---|--|--|
| <b>Burner will not light using ignitor</b>                                    | Wires or electrode covered with cooking residue.           | Clean wire and/or electrode with rubbing alcohol.  |
|   | Electrode and burners are wet.                             | Wipe dry with cloth.   |
|   | Electrode cracked or broken - sparks at crack.             | Replace electrode.   |
|   | Wire loose or disconnected.                                | Reconnect wire or replace electrode/wire assembly  |
|   | Wire is shorting (sparking) between ignitor and electrode. | Replace ignitor wire/electrode assembly  |
|   | Bad ignitor.   | Replace ignitor  |
| <b>Burner will not light with match</b>                                       | No gas flow.   | Check if LP cylinder is empty. If LP cylinder is not empty, refer to "Sudden drop in gas flow (reduced flame height). If empty, replace or refill.   |
|   | Coupling nut and regulator not fully connected.            | Turning the coupling nut about one-half to three quarters additional turn until solid stop. Tighten by hand only-do not use tools.   |
|   | Obstruction of gas flow.                                   | Clear burner tubes. Check for bent or kinked hose.   |
|   | Disengagement of burner to valve.                          | Reengage burner and valve.   |
|   | Spider webs or insect nest in venturi.                     | Clean venturi.   |
|   | Burner ports clogged or blocked.                           | Clean burner ports.  |
| <b>Sudden drop in gas flow or reduced flame height</b>                        | Out of gas.  | Check for gas in the LP cylinder   |
|   | Excess flow safety device may have been activated.         | Turn off knobs, wait 30 seconds and light grill. If flames are still too low Reset the excessive flow safety device by turning off knobs and LP cylinder valve. Disconnect regulator. Turn burner control knobs to HIGH. Wait 1 minute. Turn burner control knobs off. Reconnect regulator and leak check connections. Turn LP cylinder valve on slowly, wait 30 seconds and then light grill. |
| <b>Irregular flame pattern, flame does not run the full length of burner.</b> | Burner ports are clogged or blocked.                       | Clean burner ports.  |
| <b>Flame is yellow or orange.</b>   | New burner may have residual manufacturing oils.           | Burn grill for 15 minutes with the lid closed  |
|   | Spider webs or insect nest in venturi                      | Clean venturi.   |
|   | Food residue, grease or seasoning salt on burner.          | Clean burner.  |
|   | Poor alignment of valve to burner venturi.                 | Assure burner venturi is properly engaged with valve   |
| <b>Flame blow out</b>   | High or gusting winds                                      | Turn front of grill to face wind or increase flame height to HIGH setting  |
|   | Low on LP Gas  | Replace or refill LP cylinder  |
|   | Excess flow valve tripped                                  | Refer to "Sudden drop in gas flow"   |
| <b>Flare-up</b>   | Grease buildup.  | Clean grill.   |
|   | Excess fat in meat.  | Trim fat from meat before grilling.  |
|   | Excessive cooking temperature.                             | Adjust (lower) temperature accordingly.  |
| <b>Persistent grease fire.</b>  | Grease trapped by food buildup around burner system        | Turn knobs to OFF. Turn gas off at LP cylinder. Leave lid in closed position and let fire burn out. After grill cools, remove and clean all parts.   |
| <b>Flashback (fire in burner tube(s))</b>                                     | Burner and/or burner tubes are blocked                     | Clean burner and/or burner tubes   |
| <b>Inside of lid is peeling-like paint peeling</b>                            | The lid is stainless steel, not paint.                     | Baked on grease buildup has turned to carbon and is flaking off. Clean thoroughly.   |





| Problème  | Cause possible  | Prévention/mesure corrective  |
|---|---|---|
| Le brûleur ne s'allume pas en utilisant l'allumeur électrique.                      | Les fils ou l'électrode sont recouverts de résidus de cuisson.<br>L'électrode et les brûleurs sont mouillés.<br>L'électrode est fendue ou brisée, des étincelles apparaissent au niveau de la fente.<br>Le fil est desserré ou déconnecté.<br>Court-circuit (étincelles) du fil conducteur entre l'allumeur et l'électrode.<br>Allumeur défectueux. | Nettoyez le fil conducteur et/ou l'électrode avec de l'alcool isopropylique.<br>Essuyez avec un chiffon.<br>Remplacez l'électrode.<br>L'électrode est fendue ou brisée, des étincelles apparaissent au niveau de la fente.<br>Reconnectez le conducteur ou remplacez l'ensemble électrode-fil conducteur.<br>Remplacez l'ensemble électrode-fil conducteur.   |
| Le brûleur ne s'allume pas avec une allumette                                       | Absence de propane.<br>L'écrou de couplage et le régulateur ne sont pas complètement raccordés.<br>Obstruction du débit de propane.<br>Le brûleur n'est plus raccordé à la soupape.<br>Araignées ou insectes dans le venturi.<br>Les orifices du brûleur sont bouchés ou bloqués.   | Vérifiez si la bouteille de propane est vide. Si la bouteille n'est pas vide, reportez-vous à "Baisse soudaine du débit du propane" (hauteur réduite de flamme.). Si elle est vide, remplacez-la ou remplissez-la.<br>Tournez l'écrou de couplage demi ou trois quart de tour de plus jusqu'à l'arrêt complet. Serrez manuellement sans utiliser d'outils.<br>Nettoyez les tubes des brûleurs. Assurez-vous que le tuyau n'est pas plié ou déformé.<br>Raccordez à nouveau le brûleur et la soupape.<br>Nettoyez le venturi.<br>Nettoyez les orifices du brûleur.   |
| Baisse soudaine du débit de propane ou hauteur réduite de flamme.                   | Il n'y a plus de propane.<br>Le dispositif de sécurité de limitation de débit a peut-être été déclenché.  | Assurez-vous que la bouteille contient du propane.<br>Tournez les boutons jusqu'à « OFF » (arrêt), attendez 30 secondes puis allumez le barbecue. Si les flammes demeurent trop basses, réarmez le dispositif de sécurité de limitation de débit en réglant les boutons sur « OFF » (arrêt) et en fermant le robinet de gaz de la bouteille. Débranchez le régulateur. Tournez les boutons de réglage du brûleur sur « HIGH » (max). Attendez 1 minute. Tournez les boutons de réglage du brûleur sur « OFF » (arrêt). Rebranchez le régulateur et assurez-vous que le raccord ne présente pas de fuite. Ouvrez lentement le robinet de la bouteille de propane, attendez 30 secondes puis allumez le barbecue. |
| Flamme irrégulière, flamme ne se répartissant pas sur toute la longueur du brûleur. | Le nouveau brûleur peut contenir des huiles résiduelles de fabrication.<br>Toiles d'araignées ou nid d'insectes dans le venturi.<br>Restes de nourriture, de graisse ou d'assaisonnement sur le brûleur.  | Laissez le barbecue fonctionner pendant encore 15 minutes avec le couvercle fermé.<br>Nettoyez le venturi.<br>Nettoyez le brûleur.  |
| La flamme s'éteint.   | Vent fort ou bourrasques.<br>Présentez l'avant du barbecue face au vent ou réglez-le sur «High» afin d'augmenter la hauteur de la flamme.<br>La bouteille de propane est presque vide.  | Reportez-vous à "Baisse soudaine du débit de propane".<br>Nettoyez le barbecue.<br>Éliminez la graisse de la viande avant de la griller.<br>La viande est trop grasse.<br>La température de cuisson est trop élevée.  |
| Le feu s'enflamme brusquement.  | Accumulation de graisse.<br>La soupape de limitation de débit s'est déclenchée.   | Nettoyez le barbecue.<br>Reportez-vous à "Baisse soudaine du débit de propane".   |
| Le feu de graisse persistant.   | Graisse piégée par accumulation de nourriture autour des brûleurs.<br>Mauvais alignement de la soupape sur le venturi du brûleur.   | Tournez les boutons sur «OFF» (arrêt). Fermez le propane au niveau de la bouteille. Laissez le couvercle fermé et laissez la graisse se consumer. Après que le barbecue se soit refroidi, retirez et nettoyez toutes les pièces.  |
| Retour de flammes (feu dans le ou les tubes de brûleurs)                            | Le brûleur et/ou ses tubes sont bouchés.  | Nettoyez le brûleur et/ou les tubes du brûleur.   |
| L'intérieur du couvercle s'écaille comme de la peinture.                            | Le couvercle est en acier inoxydable sans peinture.   | L'accumulation de graisse cuite s'est transformée en carbone et s'écaille. Nettoyez rigoureusement le couvercle.  |

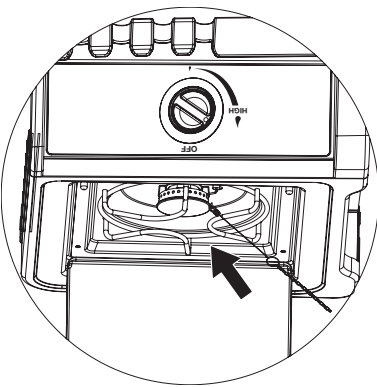
## Fonctionnement (suite)

9. Après avoir allumé les brûleurs, veuillez observer la flamme du brûleur et vérifiez que tous les orifices des brûleurs sont allumés et que la hauteur de la flamme correspond à celle de l'illustration.

**ATTENTION: Si la flamme du brûleur s'éteint lors du fonctionnement du barbecue, fermez immédiatement l'arrivée de gaz (OFF) et ouvrez le couvercle afin que le gaz se dissipe et attendez 5 minutes avant de tenter à nouveau d'allumer le barbecue.**

### Pour éteindre

1. Fermez le gaz (OFF) au niveau de la bouteille de



propane.

2. Tournez le bouton de réglage dans le sens des aiguilles d'une montre afin de le régler sur « OFF » (arrêt).

*Remarque* : Vous entendrez un son étouffé, ceci est normal, il s'agit du reste du propane venant de se consumer.

### Cuisson

1. Allumez le brûleur.

2. Réglez le brûleur sur la puissance désirée et laissez le barbecue atteindre la température

désirée.

3. Placez le bac contenant les aliments au centre de la grille de cuisson.

4. Laissez cuire et réglez la température si nécessaire.

## Nettoyage et entretien

### Attention

1. Tout nettoyage ou entretien doit être effectué lorsque le barbecue est froid et après avoir fermé et débranché l'alimentation en gaz.

2. NE placez AUCUNE pièce du barbecue dans un four autonettoyant.

La chaleur extrême endommagera le fini du barbecue.

### Avis

1. Ce barbecue doit être vérifié et nettoyé en entier régulièrement.

2. N'utilisez pas de produits de nettoyage abrasifs car ils risquent d'endommager le barbecue.

3. N'utilisez jamais de produit à nettoyer les fours sur une pièce quelle qu'elle soit du barbecue.

4. NE placez aucune pièce du barbecue dans un four autonettoyant. La chaleur extrême

endommagera le fini du barbecue.

### Avant chaque utilisation:

1. Assurez-vous que la zone autour du barbecue demeure dégagée et dépourvue de matières combustibles, d'essence et d'autres liquides et vapeurs inflammables.

2. Ne pas bloquer ni empêcher le débit d'air de combustion du propane ni de ventilation.

### Nettoyage des surfaces du barbecue

1. Essuyez les surfaces du barbecue avec un liquide à

vaiselle doux ou du bicarbonate de soude.

2. Pour les tâches coriaces, utilisez un dégraisseur au citron et une brosse de nettoyage en nylon.

3. Rincez à l'eau.

### Nettoyage du brûleur principal

1. Fermez le gaz au niveau des boutons de réglage et de la bouteille de propane.

2. Retirez les grilles de cuisson et les plaques chauffantes.

3. Retirez le brûleur en retirant les dispositifs de fixation retenant le brûleur à la partie inférieure du barbecue.

4. Soulevez et éloignez le brûleur de l'orifice de la soupape de gaz.

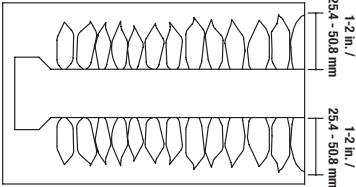
5. Déconnectez le fil de l'électrode d'allumage.

6. Nettoyez l'entrée (venturi) du brûleur avec un petit goupillon ou de l'air comprimé.

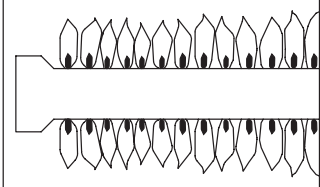
7. Nettoyez les restes de nourriture et la saleté de la surface du brûleur.

Reportez-vous à ce tableau pour savoir si vos brûleurs ont besoin

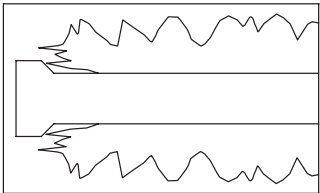
d'être nettoyés



**État normal:** Flammes bleues claires avec crêtes jaunes entre 2,5 et 5 cm de hauteur.



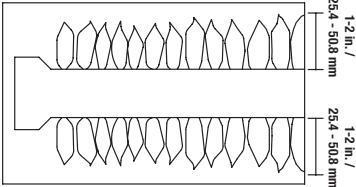
Le brûleur doit être nettoyé:



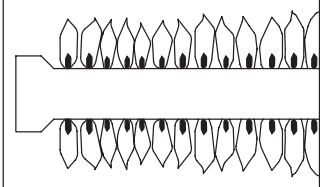
### Etat de la flamme du brûleur

Reportez-vous à ce tableau pour savoir si vos brûleurs ont besoin

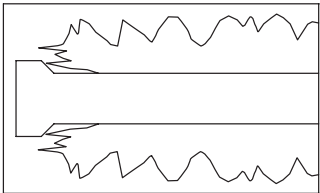
d'être nettoyés



**État normal:** Flammes bleues claires avec crêtes jaunes entre 2,5 et 5 cm de hauteur.



Le brûleur doit être nettoyé:



### Nettoyage du brûleur principal

1. Fermez le gaz au niveau des boutons de réglage et de la bouteille de propane.

2. Retirez les grilles de cuisson et les plaques chauffantes.

3. Retirez le brûleur en retirant les dispositifs de fixation retenant le brûleur à la partie inférieure du barbecue.

4. Soulevez et éloignez le brûleur de l'orifice de la soupape de gaz.

5. Déconnectez le fil de l'électrode d'allumage.

6. Nettoyez l'entrée (venturi) du brûleur avec un petit goupillon ou de l'air comprimé.

7. Nettoyez les restes de nourriture et la saleté de la surface du brûleur.

## Nettoyage et entretien (suite)

8. Nettoyez les orifices bouchés avec un fil métallique (un trombone ouvert, par exemple).

9. Vérifiez le brûleur à la recherche de détériorations (fissures ou trous). En cas de

détériorations, remplacez-le par un brûleur neuf.

10. Réinstallez le brûleur, vérifiez que les orifices de la soupape de gaz sont correctement positionnés à l'intérieur de l'entrée du brûleur (venturi). Vérifiez également la position de l'électrode d'allumage.

11. Remettez en place la plaque chauffante et la grille de cuisson.

12. Effectuez le test d'étanchéité afin de vous assurer que le raccord ne présente pas de fuite.

### Nettoyage du brûleur latéral

1. Fermez le gaz au niveau des boutons de réglage et de la bouteille de propane.

2. Retirez la grille de cuisson.

3. Retirez le brûleur en retirant les vis retenant le brûleur à la tablette latérale.

4. Soulevez et éloignez le brûleur de l'orifice de la soupape de gaz.

5. Nettoyez l'entrée (venturi) du brûleur avec un petit goupillon ou de l'air comprimé.

6. Nettoyez les restes de nourriture et la saleté de la surface du brûleur.

7. Nettoyez les orifices bouchés avec un fil métallique (un trombone ouvert, par exemple).

8. Vérifiez le brûleur à la recherche de détériorations (fissures ou trous). En cas de

détériorations, remplacez-le par un brûleur neuf.

9. Réinstallez le brûleur, vérifiez que l'orifice de la soupape de gaz est correctement positionné à l'intérieur de l'entrée du brûleur (venturi). Vérifiez également la position de l'électrode d'allumage.

10. Remettez en place la grille de cuisson.

11. Effectuez le test d'étanchéité afin de vous assurer que le raccord ne présente pas de fuite.

## Garantie limitée

Veuillez enregistrer votre appareil immédiatement sur le site internet [www.bluerhino.com](http://www.bluerhino.com) ou appelez le 1.800.762.1142.

## Enregistrement de l'appareil

La société Blue Rhino Global Sourcing, LLC ("le fabricant") garantit cet article au premier

acheteur au détail et à aucune autre personne, contre tout vice de matériau et de fabrication

pendant un (1) an à partir de la date d'achat si cet article est monté et utilisé conformément

aux instructions fournies. Le fabricant vous demandera sans doute une preuve raisonnable

d'achat datée, veuillez donc conserver votre facture ou votre reçu. Cette garantie limitée se

limitera à la réparation ou au remplacement de pièces ayant été déterminées défectueuses

par le fabricant lors de conditions d'utilisation et d'entretien normales. Avant de renvoyer une

pièce, contactez le service à la clientèle du fabricant (Customer Service Department). Si le

fabricant confirme le défaut de fabrication et approuve la réclamation, ce dernier remplacera

gratuitement les dites pièces. Si vous devez renvoyer des pièces défectueuses, les pièces

devront être expédiées port-payé. Le fabricant s'engage à renvoyer les pièces à l'acheteur port-

payé.

Cette garantie limitée ne couvre pas les pannes et dysfonctionnements survenant suite à tout

accident, mauvais usage, entretien incorrect de cet article, ou toute modification, mauvaise

installation ou négligence comme il a été établi dans ce manuel. De plus, cette garantie

limitée ne couvre pas les dommages au fini, à savoir les rayures, les bosses, les traces de

décoloration, de rouille ou les dommages résultant des intempéries après achat de l'article.

Cette garantie remplace toute autre garantie expresse et il n'existe aucune autre garantie

expresse à l'exception de la couverture indiquée ici. Le fabricant désavoue toute garantie

couvrant des produits ayant été achetés auprès de revendeurs autres que les revendeurs et

distributeurs agréés y compris toute garantie de commercialisabilité et d'adaptation à un usage

particulier. LE FABRICANT DÉCLINE ÉGALEMENT TOUTE GARANTIE IMPLICITE Y COMPRIS

TOUTE GARANTIE DE COMMERCIALISABILITÉ ET D'ADAPTATION À UN USAGE PARTICULIER. LE

FABRICANT NE POURRA ÊTRE TENU RESPONSABLE PAR L'ACHETEUR OU UN TIERS POUR TOUTS

DÉGÂTS ET DOMMAGES PARTICULIERS, INDIRECTS, PUNITIFS OU CONSÉCUTIFS. De plus, le

fabricant désavoue toute garantie expresse ou implicite et décline toute responsabilité en cas

de défaut de fabrication causés par un tiers.

Cette garantie limitée octroie des droits spécifiques à l'acheteur reconnus par la loi et il

est possible que ce dernier en possède d'autres selon sa localité. Certaines juridictions ne

permettent pas l'exclusion ni la limitation de dommages consécutifs ou accessoires ni la

limitation en temps d'une garantie et ces limitations peuvent ne pas être applicables à tous.

Le fabricant ne permet en aucun cas à une personne ou à une société de s'attribuer les

responsabilités et les obligations liées à la vente, l'installation, l'utilisation, la dépose ou le

remplacement de cet article, et aucune de ces représentations n'engage la responsabilité du

fabricant.

Blue Rhino Sourcing, LLC

Winston-Salem, North Carolina 27104, États-Unis

(800)-762-1142

8. Si l'allumeur ne parvient pas à allumer le brûleur, fixez une allumette allumée au bout de la tige d'allumage fournie afin d'allumer manuellement les brûleurs. Accédez aux brûleurs en introduisant l'allumette à travers la grille de cuisson et les plaques chauffantes. Placez l'allumette allumée sur le côté du brûleur.

**Important:** Veillez à toujours utiliser la tige d'allumage lorsque vous allumez les brûleurs avec une allumette.

9. Après avoir allumé les brûleurs, veuillez observer la flamme du brûleur et vérifiez que tous les orifices du brûleur sont allumés et que la hauteur de la flamme correspond à celle de l'illustration.

**Attention**  
**Si la flamme du brûleur s'éteint lors du fonctionnement du barbecue, terminez immédiatement l'arrivée de gaz (OFF) et ouvrez le couvercle afin que le gaz se dissipe et attendez 5 minutes avant de tenter à nouveau d'allumer le barbecue.**

**Pour éteindre**

1. Fermez le gaz au niveau de la bouteille de propane.
2. Tournez tous les boutons de réglage dans le sens des aiguilles d'une montre afin de les régler sur « OFF » (arrêt) les uns après les autres.

**Utiliser le barbecue pour la première fois**

1. Assurez-vous d'avoir retiré toutes les étiquettes ainsi que tout le matériel d'emballage et le film protecteur du barbecue.

2. Avant de cuire quoi que ce soit sur le barbecue pour la première fois, faites fonctionner le barbecue pendant environ 15 minutes avec le couvercle fermé et le bouton de réglage du gaz sur « High » (maximum). La chaleur « nettoiera » les pièces internes et dissipera les odeurs.

**Pour une cuisson directe**

Laissez cuire les aliments directement sur les brûleurs chauds. Cette cuisson est idéale afin de piéger le jus à l'intérieur des aliments et pour les aliments tels que les steaks, les hamburgers, les hot-dogs, le poulet, les légumes et les fruits dont la cuisson prendra moins de 25 minutes.

1. Ouvrez le couvercle et allumez les brûleurs désirs en suivant les instructions d'allumage du manuel d'utilisation.
2. Fermez le couvercle et préchauffez le barbecue en le réglant sur « HIGH » (max.).
3. Portez des gants de protection et utilisez des pinces de cuisine à long manche pour disposer les aliments sur les grilles de cuisson, au-dessus des brûleurs allumés.
4. Réglez les boutons sur la température désirée.
5. Avec le couvercle ouvert ou fermé, laissez la nourriture cuire jusqu'à ce que la température interne désirée des aliments soit atteinte.
6. Éteignez le barbecue en fermant tout d'abord le robinet de gaz de la bouteille de propane. Brûlez le reste du gaz contenu dans la tuyauterie en attendant 15 secondes puis réglez tous les boutons des brûleurs sur « OFF » (arrêt). Vous entendrez un son étouffé, ceci est normal, il s'agit du propane venant de se consumer.

**Pour une cuisson indirecte**

Cette cuisson consiste à ne pas cuire les aliments directement sur les brûleurs chauds. Cette cuisson est idéale pour toute cuisson lente et pour les aliments dont la cuisson prend plus de 25 minutes comme les rôtis, les filets, les côtelettes ainsi que les poulets, dindes, et poissons entiers et les articles de boulangerie.

1. Ouvrez le couvercle et allumez les brûleurs désirs en suivant les instructions d'allumage du manuel d'utilisation.
2. Fermez le couvercle et préchauffez le barbecue en le réglant sur « HIGH » (max.).
3. Portez des gants de protection et utilisez des pinces de cuisine à long manche pour disposer les aliments sur les grilles de cuisson, au-dessus des brûleurs qui ne sont pas allumés.
4. Réglez les boutons sur la température désirée.
5. Avec le couvercle ouvert ou fermé, laissez la nourriture cuire jusqu'à ce que la température interne désirée des aliments soit atteinte.
6. Éteignez le barbecue en fermant tout d'abord le robinet de gaz de la bouteille de propane. Brûlez le reste du gaz contenu dans la tuyauterie en attendant 15 secondes puis réglez tous les boutons des brûleurs sur « OFF » (arrêt). Vous entendrez un son étouffé, ceci est normal, il s'agit du propane venant de se consumer.

**Quelques conseils pour de meilleures grillades et afin d'assurer la pérennité du barbecue**

1. Pour des conseils sur la cuisson des aliments : [http://www.fsis.usda.gov/Fact\\_Sheets/Barbecue\\_Food\\_Safety/](http://www.fsis.usda.gov/Fact_Sheets/Barbecue_Food_Safety/)
2. Utilisez la grille de cuisson supérieure (grille de réchauffage) afin de maintenir au chaud les aliments que vous venez de cuire, griller du pain ou cuire des aliments délicats dans des pochettes de papier d'aluminium.
3. Utilisez le brûleur latéral de cet appareil en tant que cuisinière ordinaire pour bouillir, sauter ou frire les aliments.

4. Pour éviter que les aliments ne collent aux grilles, vaporisez ou appliquez une couche d'huile végétale sur les surfaces de cuisson avant d'allumer le barbecue.

5. Pour réduire les feux de graisse, veillez à ce que le barbecue demeure propre, utilisez de la viande mince (découpez le gras) et évitez de cuire à de très hautes températures.

6. Placez les aliments délicats tels que le poisson et les légumes dans du papier d'aluminium et placez-les sur la grille de cuisson supérieure (grille de réchauffage).

7. Pour éviter que les aliments ne perdent leur jus, utilisez des pinces de cuisine ou des spatules au lieu de fourchettes et retournez les aliments une seule fois pendant la cuisson.

8. Lors d'une cuisson directe, réglez les brûleurs sur différents niveaux afin que les aliments puissent être cuits à différentes températures internes dans la même tranche de temps.

9. Lors d'une cuisson indirecte pour les rôtis et les grosses tranches de viande, placez la viande sur une grille de cuisson à l'intérieur d'un bac métallique robuste. Placez le bac sur les brûleurs qui ne sont pas allumés.

10. Faites un essai en utilisant des bacs métalliques remplis d'eau pour réduire les feux de graisse et cuire les viandes très juteuses. Avant d'allumer le barbecue, retirez les grilles de cuisson et placez un bac d'eau robuste et peu profond directement sur les plaques chauffantes. Remplissez-le à moitié d'eau, de jus de fruits ou de tout autre liquide aromatisé. Remettez en place les grilles de cuisson et placez les aliments au-dessus du bac rempli de liquide.

11. Réhaussez le goût des aliments en les plaçant dans des pochettes d'aluminium ou dans des fumoirs avec des copeaux de bois. Suivez les instructions du fabricant des copeaux de bois.

12. Les tournebroches, les paniers à grill, les broches verticales à volailles et autres accessoires peuvent améliorer la cuisson, réduire le temps de cuisson et faciliter le nettoyage.

13. Nettoyez les grilles de cuisson et les autres grilles après chaque utilisation en utilisant une brosse de barbecue de bonne qualité conçue pour le type de matériau de votre grille. Portez des gants de protection et retirez doucement les résidus demeurés sur les grilles pendant qu'elles sont encore chaudes.

14. Après chaque utilisation, laissez le barbecue refroidir. Ensuite, protégez les grilles de cuisson propres en les enduisant d'une fine couche d'huile à friture, videz le bac récupérateur de graisses, essayez les surfaces externes du barbecue en utilisant un produit de nettoyage de cuisine adéquat et protégez ces surfaces en recouvrant le barbecue avec une housse de bonne qualité suffisamment grande pour ce type de barbecue.

15. Consultez les sites internet tels que [www.bluerhino.com](http://www.bluerhino.com), regardez les programmes télévisés consacrés à la cuisson au barbecue ou achetez des livres de cuisine sur le même thème pour des conseils utiles supplémentaires comme les suivants :

*Un barbecue au gaz est idéal pour réchauffer des parts de pizza. Réglez les brûleurs sur une flamme basse et placez les parts de pizza directement sur la grille de cuisson ayant été auparavant préchauffée. Fermez le couvercle et laissez-les cuire jusqu'à ce que le fromage commence à faire des bulles.*

**Fonctionnement du brûleur latéral**

**REMARQUE :** Le brûleur latéral peut être utilisé pendant que les brûleurs principaux fonctionnent.

Ne jamais utiliser le brûleur latéral en tant que barbecue.

**Pour allumer**

1. Ouvrez le couvercle du barbecue. Toute tentative d'allumage du brûleur avec le couvercle fermé risque de provoquer une explosion!

2. Assurez-vous qu'il n'existe aucune obstruction et que rien ne gêne le débit d'air vers les brûleurs. Des araignées et autres insectes peuvent y élire domicile et boucher le brûleur et tube de venturi au niveau de l'orifice. Si la tubulure du brûleur est bouchée, ceci risque de provoquer un feu en-dessous de l'appareil.

3. Le bouton de réglage doit être réglé sur « OFF » (arrêt).

4. Ouvrez le gaz au niveau de la bouteille de propane.

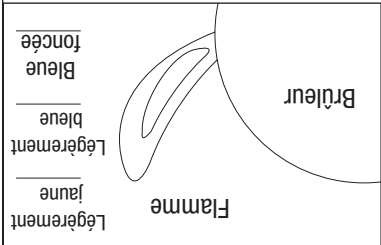
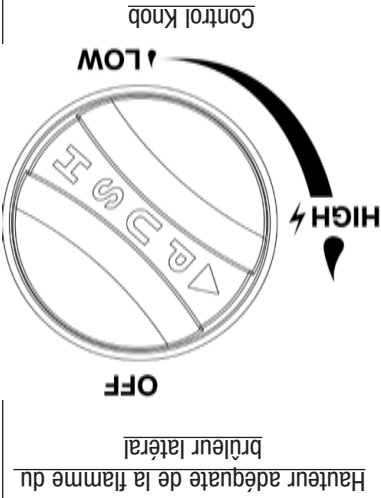
5. Pressez et tournez le bouton de réglage dans le sens inverse à celui des aiguilles d'une montre jusqu'à « HIGH » (max.).

6. Pressez le bouton de l'allumeur électronique et maintenez-le pressé pendant 5 secondes pour allumer le brûleur.

7. Si l'allumage ne se produit pas dans les 5 secondes suivantes, tournez le bouton de réglage du brûleur à la position « OFF » (arrêt); attendez 5 minutes et répétez la procédure d'allumage.

8. Si l'allumeur ne parvient pas à allumer le brûleur, fixez une allumette allumée au bout de la tige d'allumage fournie afin d'allumer manuellement les brûleurs. Placez l'allumette allumée sur le côté du brûleur.

**Important:** Veillez à toujours utiliser la tige d'allumage lorsque vous allumez les brûleurs avec une allumette.







**Vous avez besoin d'une bouteille de gaz? Essayez notre service d'échange de bouteilles de gaz. C'est un service facile, rapide, sans danger et présent dans des dizaines de milliers de points de vente partout dans le pays. Achetez une bouteille neuve ou échangez votre bouteille vide contre une bouteille déjà remplie avec précision.**

## Installer la bouteille de propane

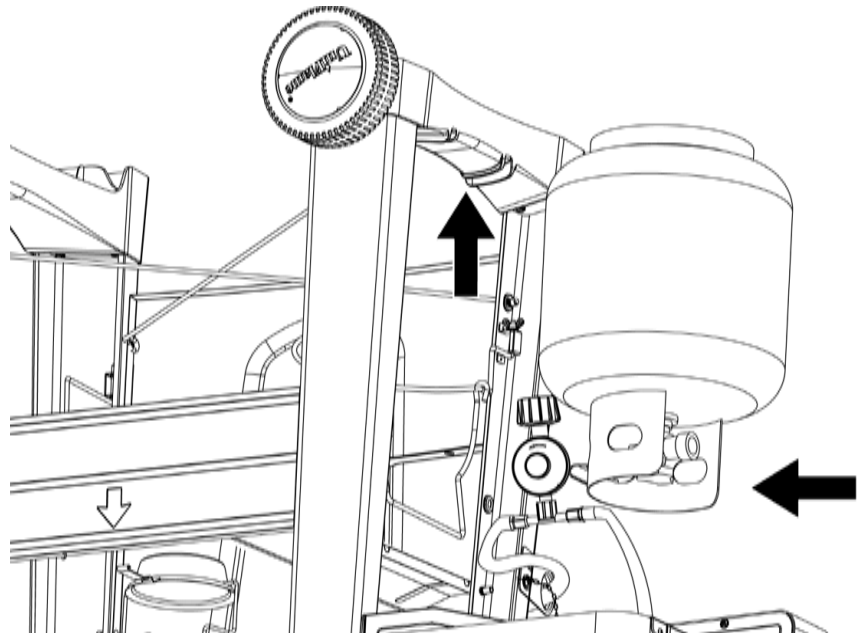
Il est nécessaire de brancher une bouteille de propane standard de 20 livres (9 kg) pour barbecue avec soupape de commande à filetage externe.

*Remarque:* Une bouteille de propane standard vide pour barbecue pèse environ 18 livres (8,1 kg). Une bouteille de propane standard pour barbecue remplie avec précision ne devrait pas peser plus de 38 livres (17,2 kg).



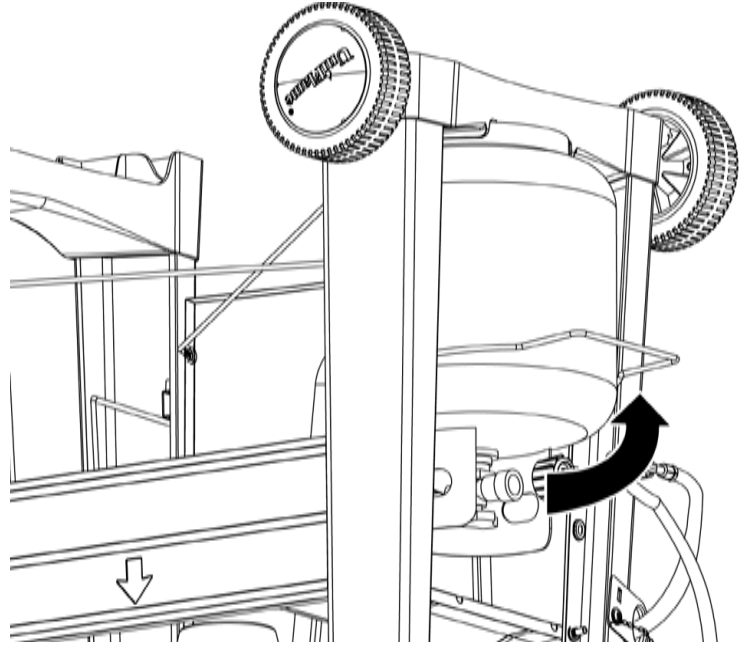
## Insérer la bouteille de propane

Placez une bouteille de propane pleine de 20 livres (9 kg) debout dans la cavité du barbecue afin que le circuit soit établi afin de permettre l'extraction des vapeurs de gaz.



## Fixer la bouteille de propane

Fixez la bouteille en glissant l'étrier de retenue par-dessus l'épaule de la bouteille de propane.



## Brancher la bouteille de propane

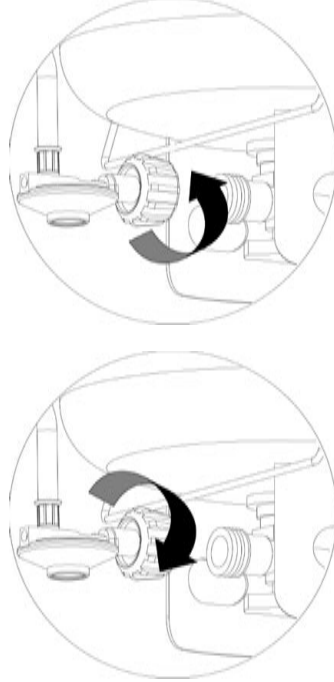
Avant de procéder au branchement, assurez-vous de l'absence de débris dans la tête de la bouteille, autour de la tête de la soupape du régulateur ainsi que dans la tête du brûleur et dans les orifices du brûleur.

Branchez le tuyau de gaz sur la bouteille en tournant dans le sens des aiguilles d'une montre jusqu'au blocage.

## Débrancher la bouteille de propane

Avant de débrancher la bouteille, assurez-vous que le robinet de la bouteille de propane se trouve sur « Off » (arrêt).

Débranchez la conduite de gaz de la bouteille en tournant le bouton dans le sens inverse à celui des aiguilles d'une montre jusqu'à ce qu'il soit desserré.



## Fonctionnement

### Rechercher une fuite potentielle

**Raccordement des brûleurs**  
Assurez-vous que la soupape du régulateur et le tuyau ont été correctement raccordés au brûleur et à la bouteille de gaz.

Si l'appareil a été assemblé pour vous, vérifiez visuellement le branchement du tuyau du brûleur sur l'orifice. Assurez-vous que le tuyau du brûleur est correctement placé sur l'orifice.

### AVERTISSEMENT

**Si vous ne vérifiez pas ce raccord et ne respectez pas ces instructions, vous risquez de provoquer un incendie ou une explosion pouvant entraîner des dégâts matériels, des blessures graves voire la mort.**

Reportez-vous à l'illustration afin d'effectuer correctement l'installation.

Reportez-vous à l'illustration afin d'effectuer

correctement l'installation. Si le tuyau du brûleur ne repose pas au ras de l'orifice, veuillez appeler notre service à la clientèle au 1.800.762.1142.

### Raccordement du tuyau de gaz à la bouteille

Préparez une solution d'environ 80 ml destinée à détecter les fuites en mélangeant un volume de liquide à vaisselle et 3 volumes d'eau.

Vérifiez que les boutons de réglage du barbecue sont tous sur « Off » (arrêt).

Ouvrez l'arrivée de gaz en réglant le robinet de la bouteille de propane sur « ON ».

Versez quelques gouttes de la solution sur tous les points de raccordement indiqués par un "X".

Si des bulles apparaissent, fermez la bouteille de propane (OFF), desserrez le raccord puis rebranchez en vous assurant qu'il est étanche en effectuant un autre test d'étanchéité. Si des bulles persistent après plusieurs tentatives, débranchez la bouteille de gaz et

appelez le 1.800.762.1142. Si il n'y a toujours pas de bulles après une minute, fermez la bouteille de gaz (OFF), essayez la solution et continuez.

## Fonctionnement des brûleurs principaux

### Pour allumer

1. Ouvrez le couvercle du barbecue. Toute tentative d'allumage du brûleur avec le couvercle fermé risque de provoquer une explosion!

2. Assurez-vous qu'il n'existe aucune obstruction et que rien ne gêne le débit d'air vers les brûleurs. Des araignées et autres insectes peuvent y être domiciliés et boucher le brûleur et le tube venturi au niveau de l'orifice. Si la tubulure du brûleur est bouchée, ceci risque de provoquer un feu en-

dessous de l'appareil.

3. Tous les boutons de réglage doivent être réglés sur « Off » (arrêt).

4. Ouvrez le gaz au niveau de la bouteille de propane.

5. Pressez et tournez le bouton de réglage dans le sens inverse à celui des aiguilles d'une montre jusqu'à « HIGH » (maximum).

6. Pressez le bouton de l'allumeur électronique et maintenez-le appuyé pendant 5 secondes pour allumer le brûleur.

7. Si l'allumage ne se produit pas dans les 5 secondes suivantes, tournez le bouton de réglage du brûleur à la position « Off » (arrêt), attendez 5 minutes et répétez la procédure d'allumage.

## Barbecue au propane pour usage extérieur, modèle n° GBC730W-C

## Fonctionnement

### Rechercher une fuite potentielle

**Raccordement des brûleurs**  
Assurez-vous que la soupape du régulateur et le tuyau ont été correctement raccordés au brûleur et à la bouteille de gaz.

Si l'appareil a été assemblé pour vous, vérifiez visuellement le branchement du tuyau du brûleur sur l'orifice. Assurez-vous que le tuyau du brûleur est correctement placé sur l'orifice.

### AVERTISSEMENT

**Si vous ne vérifiez pas ce raccord et ne respectez pas ces instructions, vous risquez de provoquer un incendie ou une explosion pouvant entraîner des dégâts matériels, des blessures graves voire la mort.**

Reportez-vous à l'illustration afin d'effectuer correctement l'installation.

Reportez-vous à l'illustration afin d'effectuer

correctement l'installation. Si le tuyau du brûleur ne repose pas au ras de l'orifice, veuillez appeler notre service à la clientèle au 1.800.762.1142.

### Raccordement du tuyau de gaz à la bouteille

Préparez une solution d'environ 80 ml destinée à détecter les fuites en mélangeant un volume de liquide à vaisselle et 3 volumes d'eau.

Vérifiez que les boutons de réglage du barbecue sont tous sur « Off » (arrêt).

Ouvrez l'arrivée de gaz en réglant le robinet de la bouteille de propane sur « ON ».

Versez quelques gouttes de la solution sur tous les points de raccordement indiqués par un "X".

Si des bulles apparaissent, fermez la bouteille de propane (OFF), desserrez le raccord puis rebranchez en vous assurant qu'il est étanche en effectuant un autre test d'étanchéité. Si des bulles persistent après plusieurs tentatives, débranchez la bouteille de gaz et

appelez le 1.800.762.1142. Si il n'y a toujours pas de bulles après une minute, fermez la bouteille de gaz (OFF), essayez la solution et continuez.

## Fonctionnement des brûleurs principaux

### Pour allumer

1. Ouvrez le couvercle du barbecue. Toute tentative d'allumage du brûleur avec le couvercle fermé risque de provoquer une explosion!

2. Assurez-vous qu'il n'existe aucune obstruction et que rien ne gêne le débit d'air vers les brûleurs. Des araignées et autres insectes peuvent y être domiciliés et boucher le brûleur et le tube venturi au niveau de l'orifice. Si la tubulure du brûleur est bouchée, ceci risque de provoquer un feu en-

dessous de l'appareil.

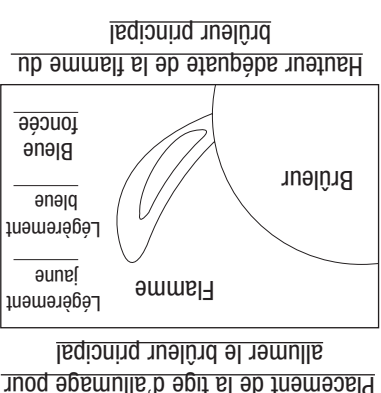
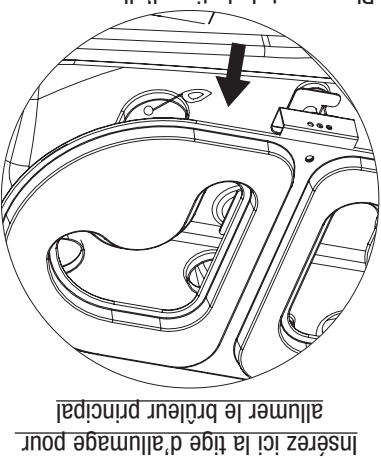
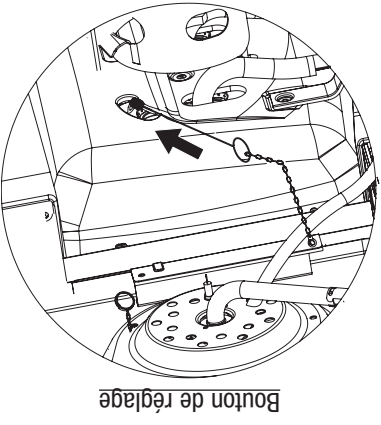
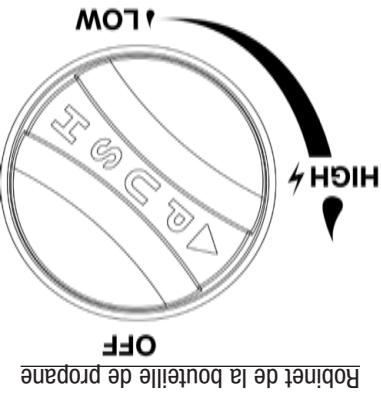
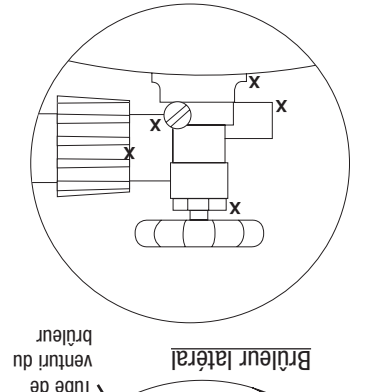
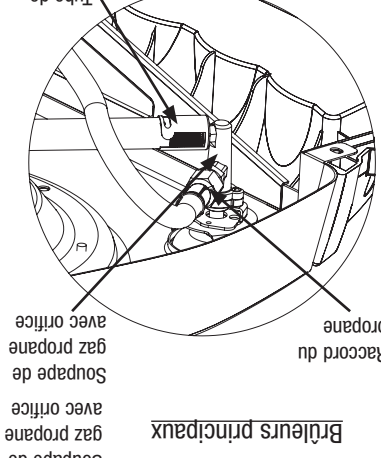
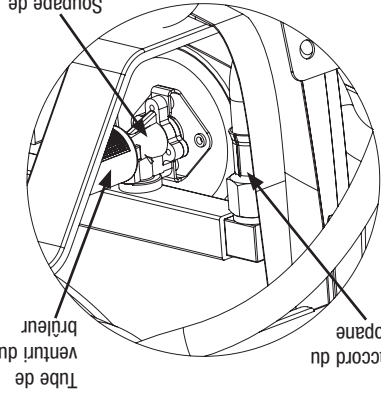
3. Tous les boutons de réglage doivent être réglés sur « Off » (arrêt).

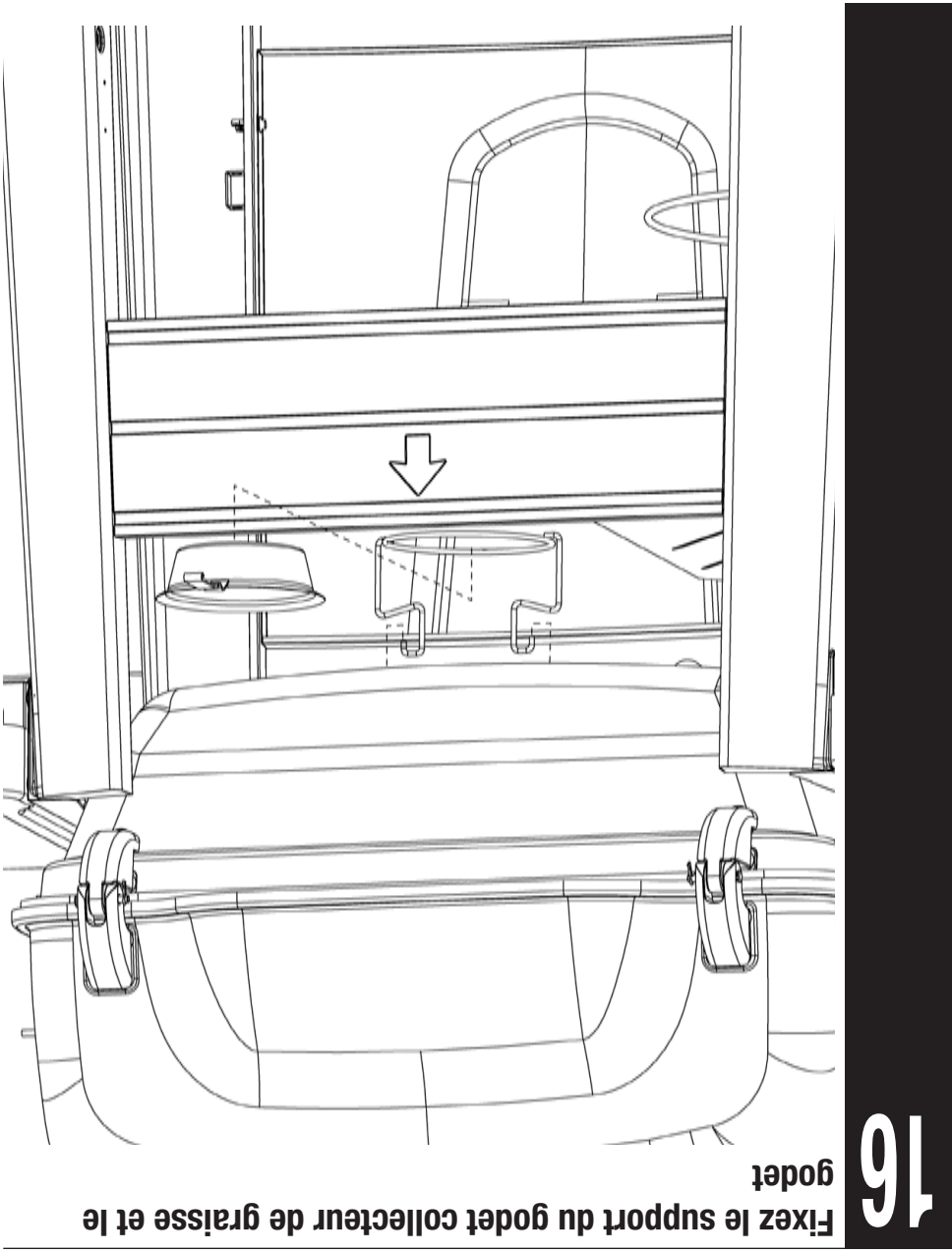
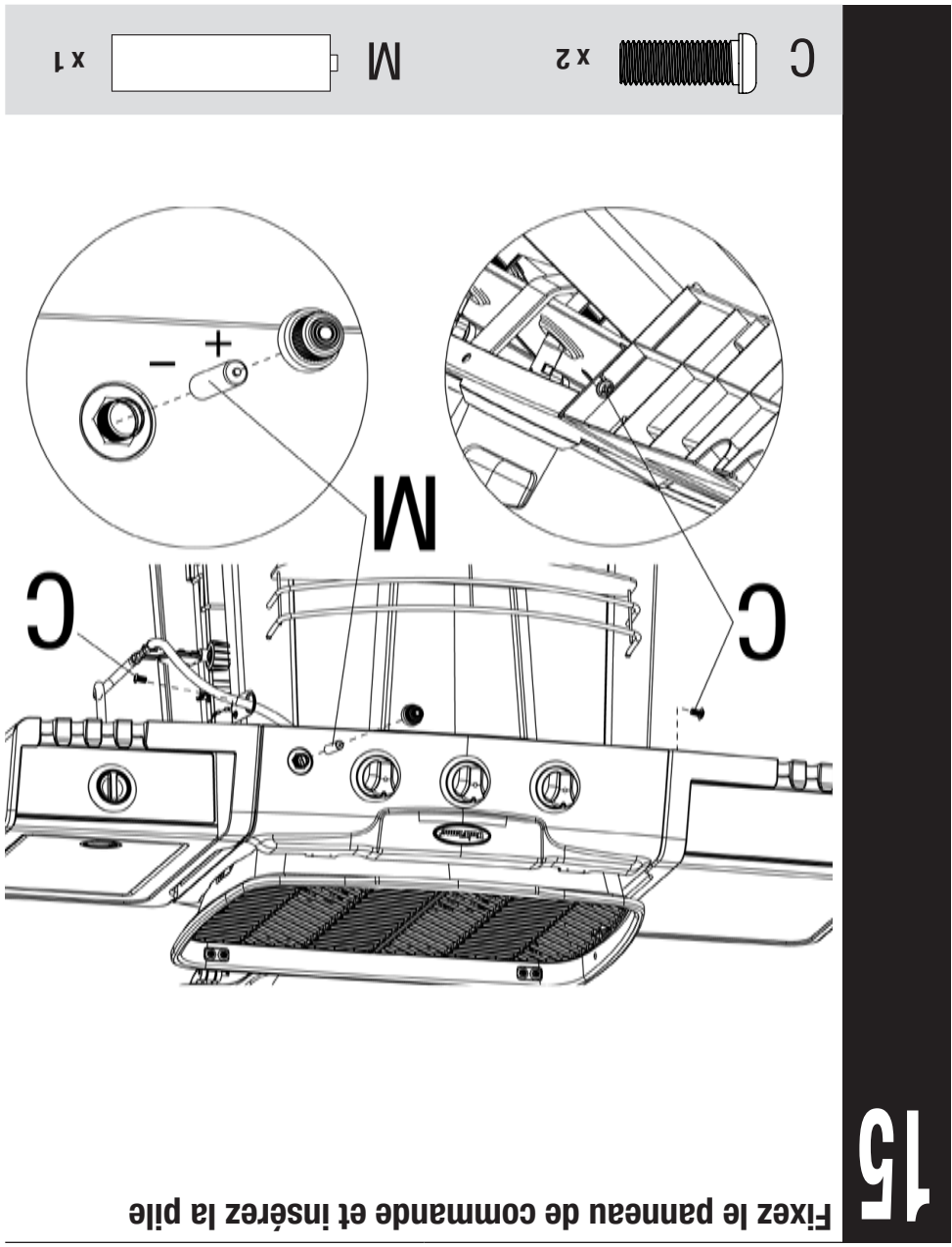
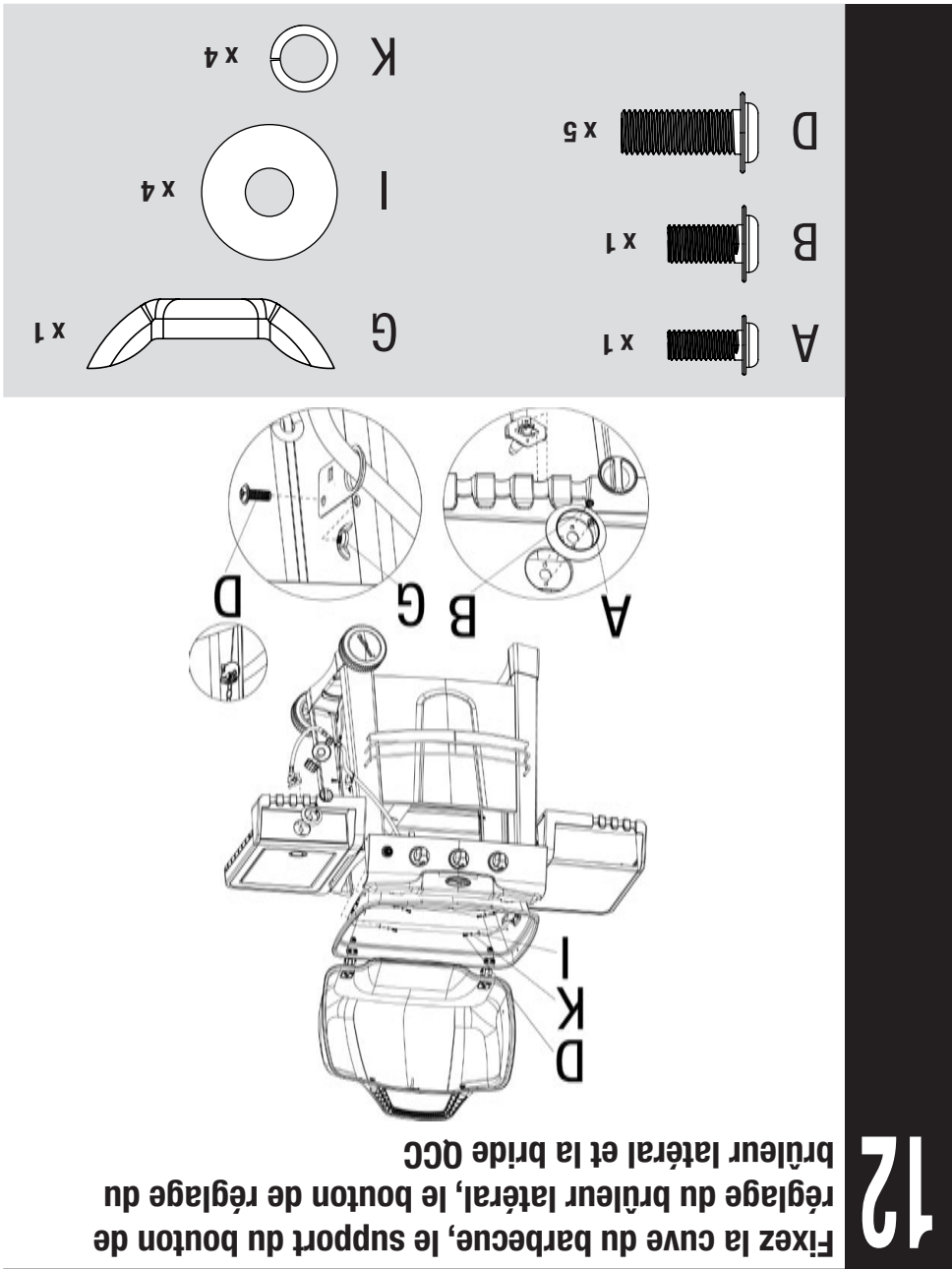
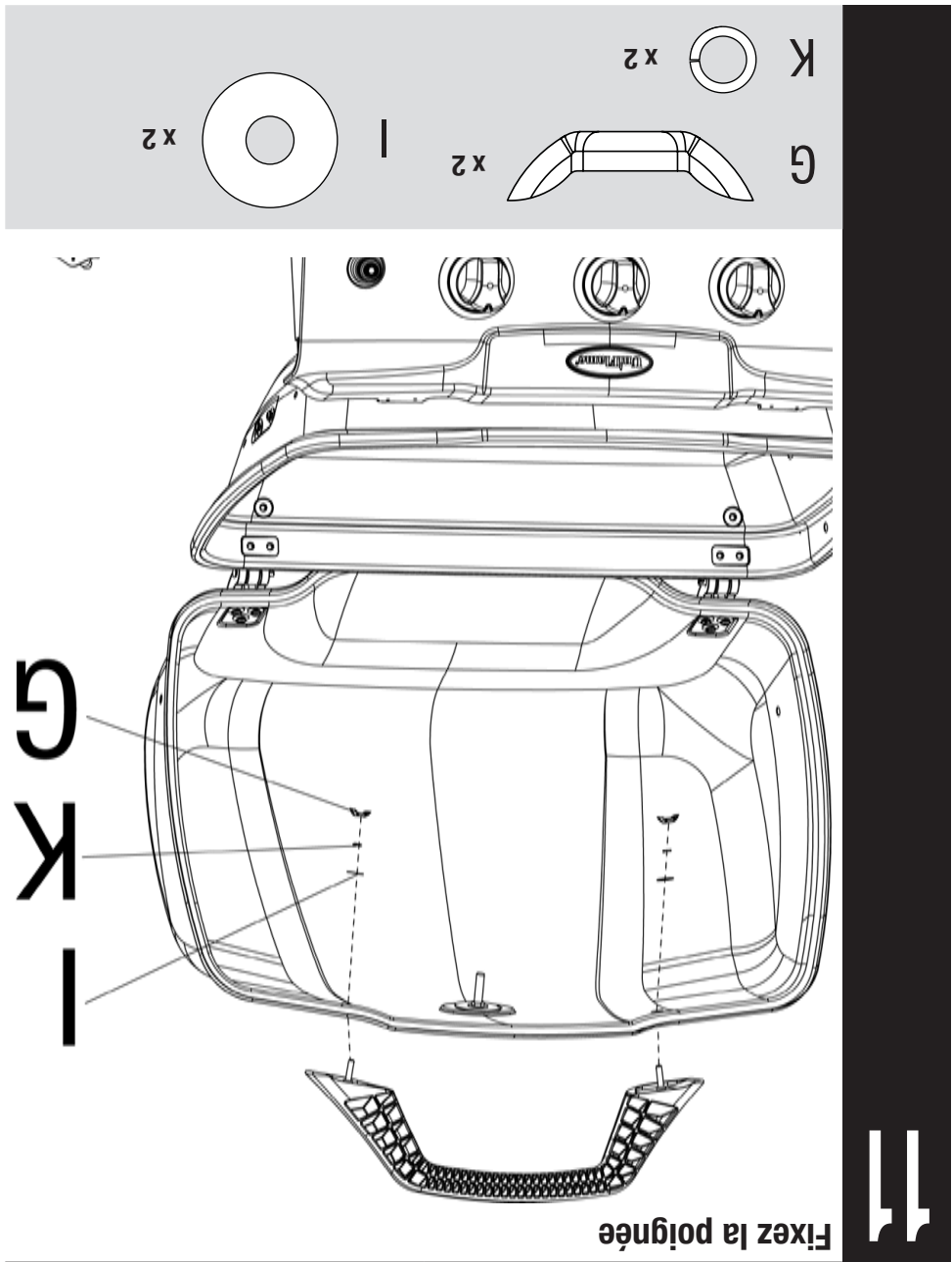
4. Ouvrez le gaz au niveau de la bouteille de propane.

5. Pressez et tournez le bouton de réglage dans le sens inverse à celui des aiguilles d'une montre jusqu'à « HIGH » (maximum).

6. Pressez le bouton de l'allumeur électronique et maintenez-le appuyé pendant 5 secondes pour allumer le brûleur.

7. Si l'allumage ne se produit pas dans les 5 secondes suivantes, tournez le bouton de réglage du brûleur à la position « Off » (arrêt), attendez 5 minutes et répétez la procédure d'allumage.





**9**

Fixez les tablettes latérales

I x 8      K x 8      D x 8

**13**

Installez le brûleur latéral et la grille du brûleur latéral

A x 2      J x 2      H x 2

**10**

Fixez le porte-condiments avant

D x 1

**14**

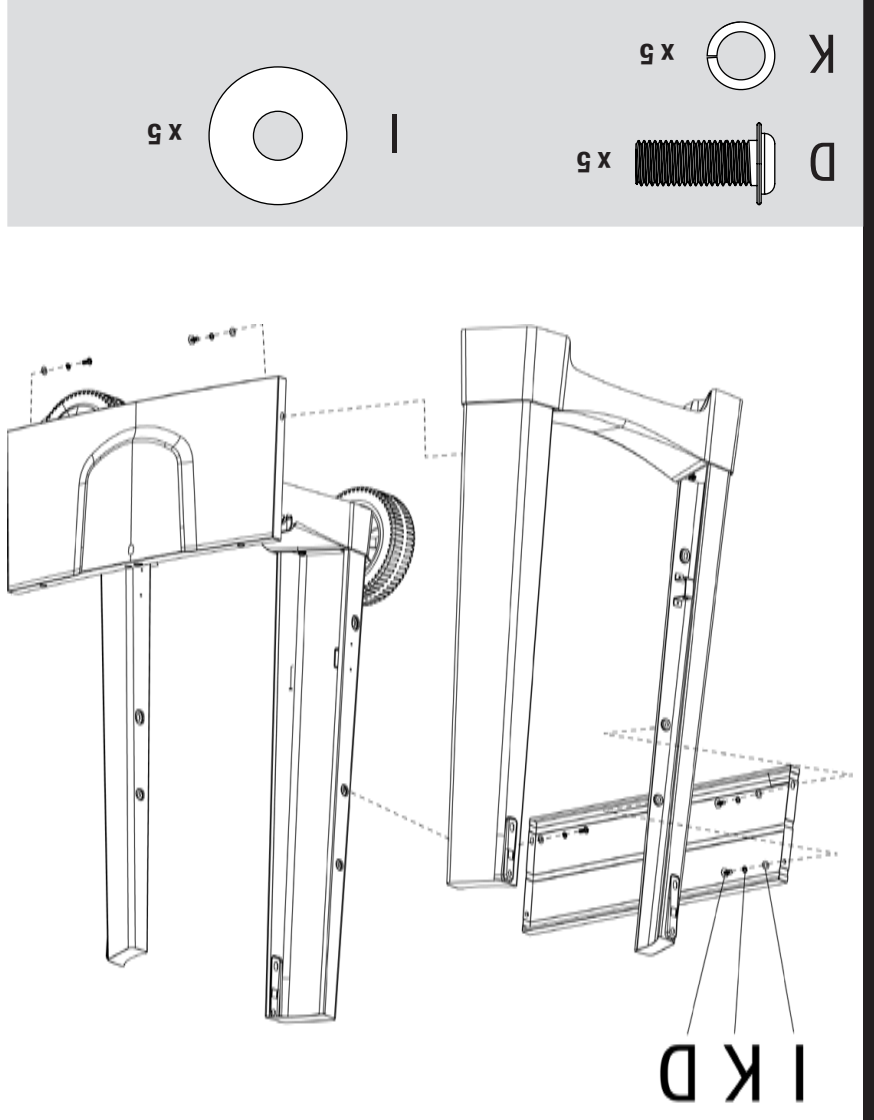
Placez la plaque chauffante et les grilles de cuisson

Placez la grille de réchauffage

- Prévoyez une surface de travail suffisamment grande afin d'étaler toutes les pièces et la quincaillerie d'installation.
- Lorsque nécessaire, serrez toute les fixations et la visserie en premier, puis une fois l'étape terminée, serrez-les à bloc.

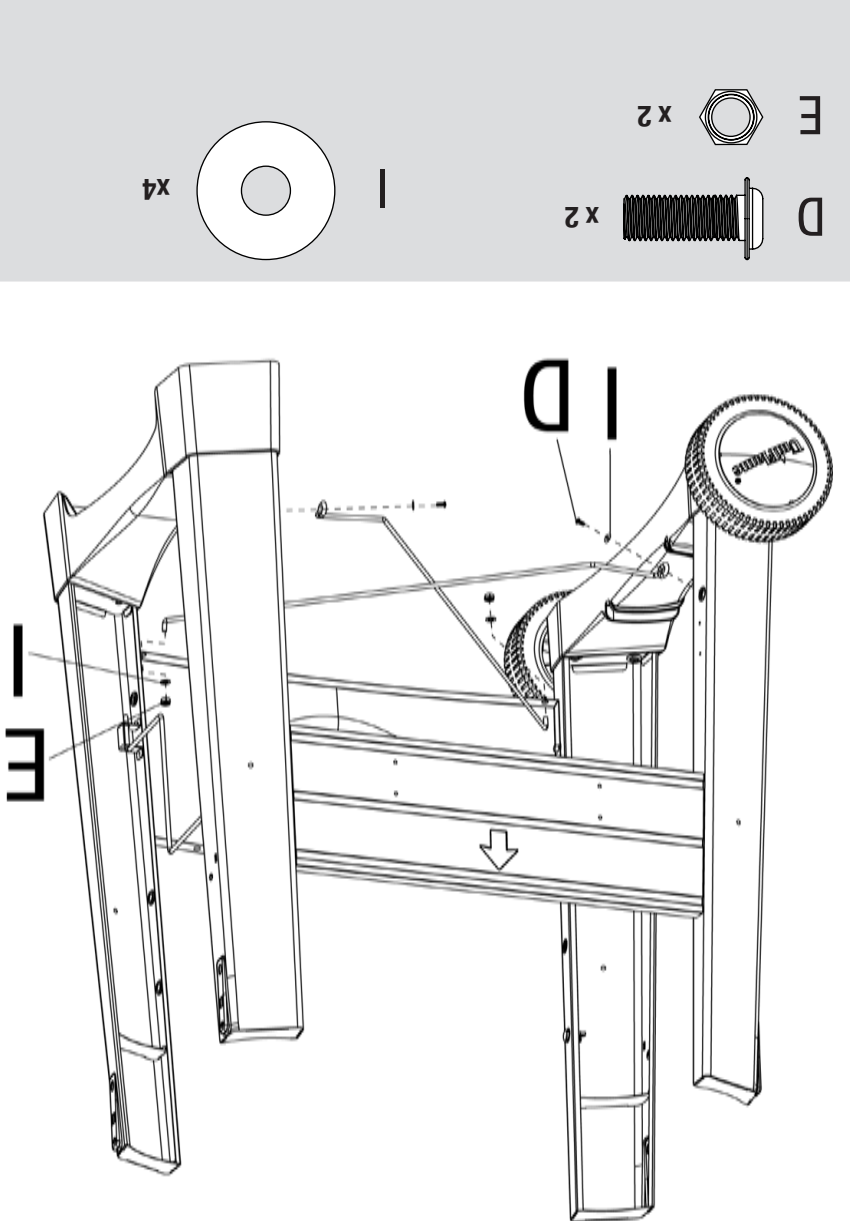
**3**

Fixez le panneau arrière et le panneau avant intérieur



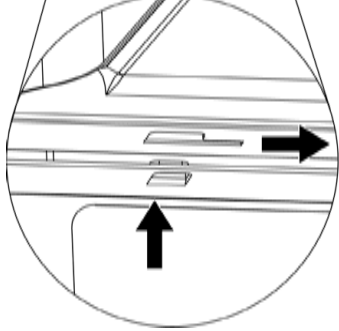
**4**

Fixez les protégé-bouteilles



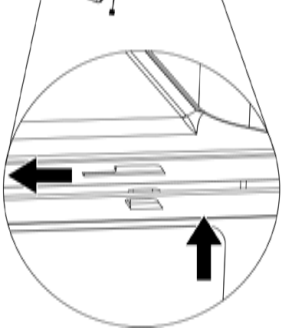
**7**

Assemblez la tablette gauche



**8**

Assemblez le brûleur latéral



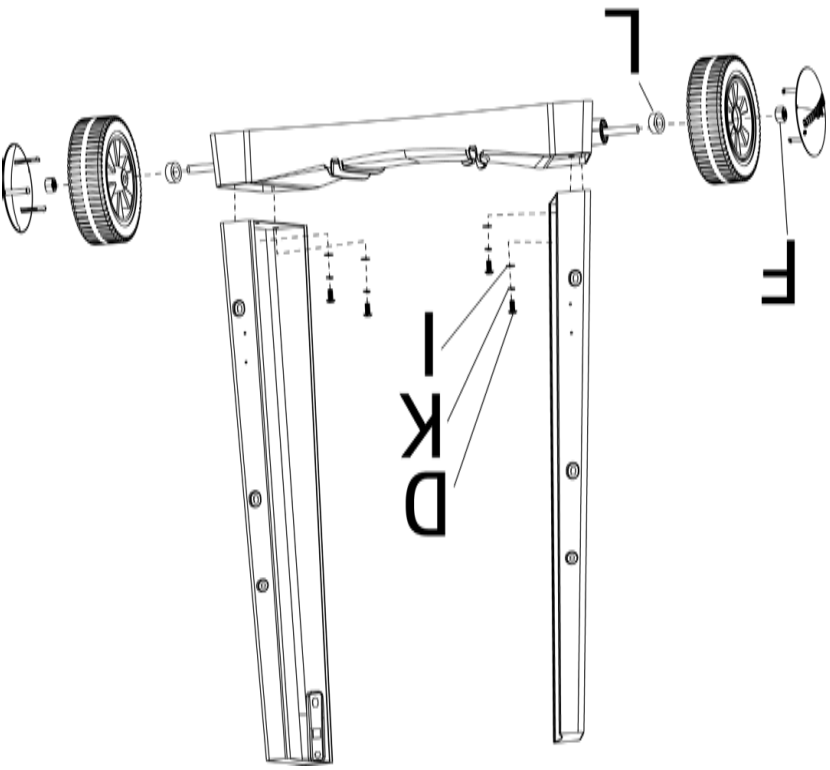
## Directives d'assemblage



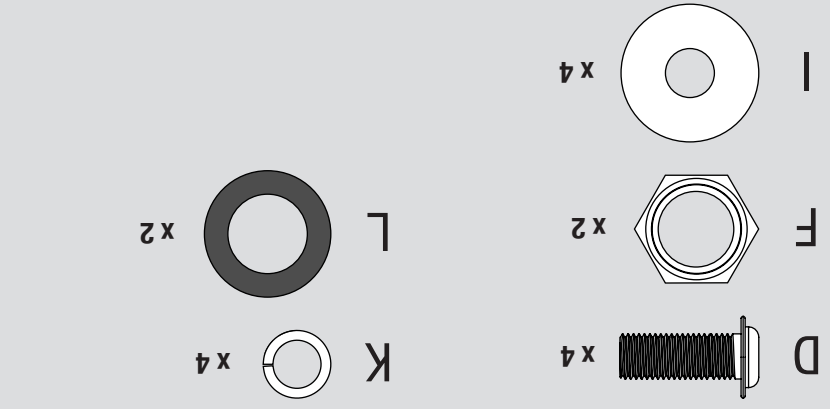
Barbecue au propane pour usage extérieur, modèle n° GBC730W-C

**NE PAS RETOURNER AU MAGASIN AVEC CET ARTICLE.**  
 Pour toute assistance technique, appelez le numéro sans frais 1.800.762.1142. Faites en sorte que votre manuel d'utilisation et le numéro de série soient à portée de main afin de pouvoir vous y référer.

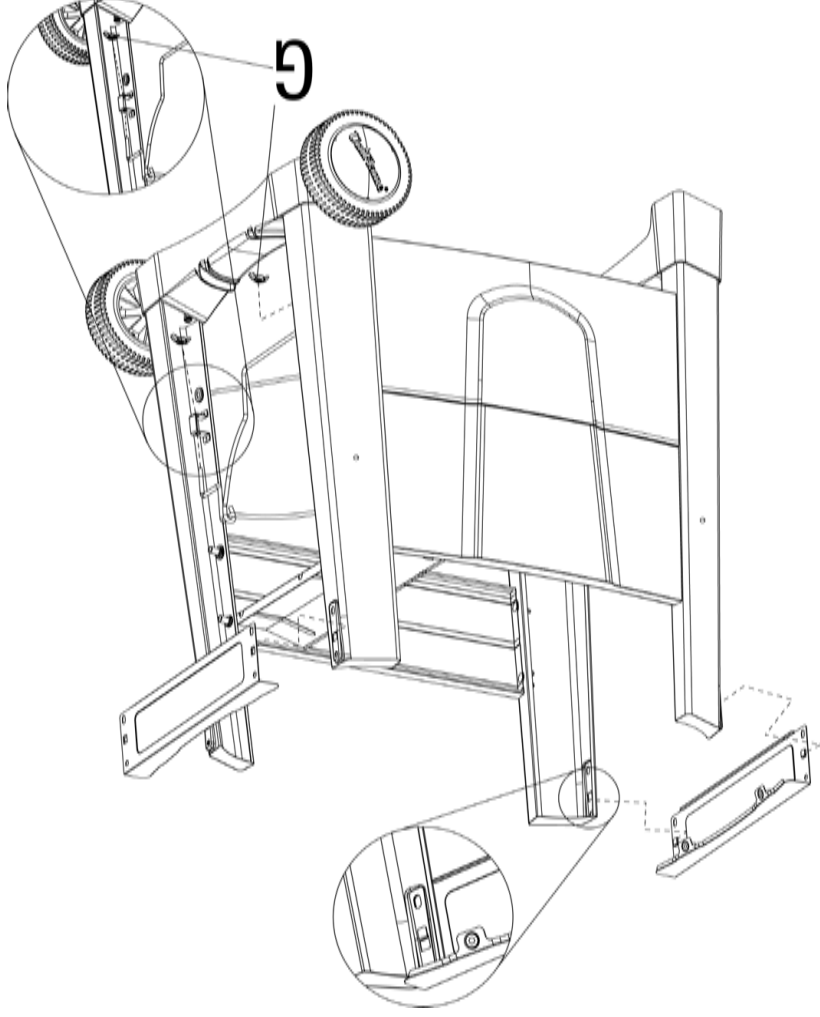
Pour faciliter l'installation:  
 • Pour éviter de perdre des petites pièces ou la quincaillerie d'installation, assemblez cet article sur une surface dure et plane qui ne comporte pas de trous ou de fissures.



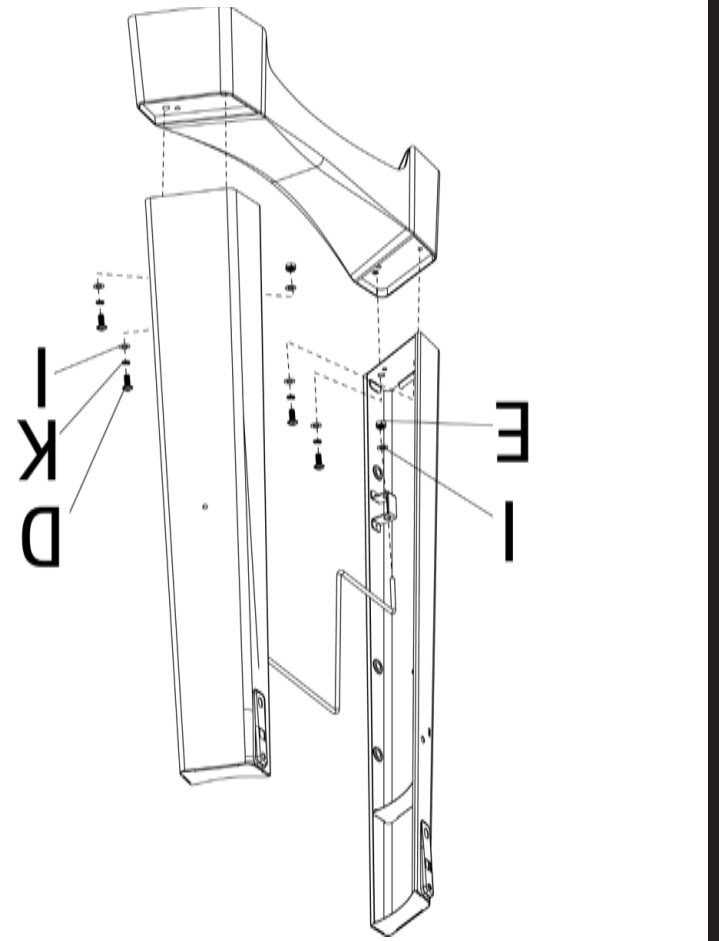
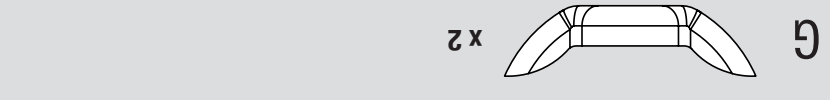
Assemblez le cadre droit du chariot



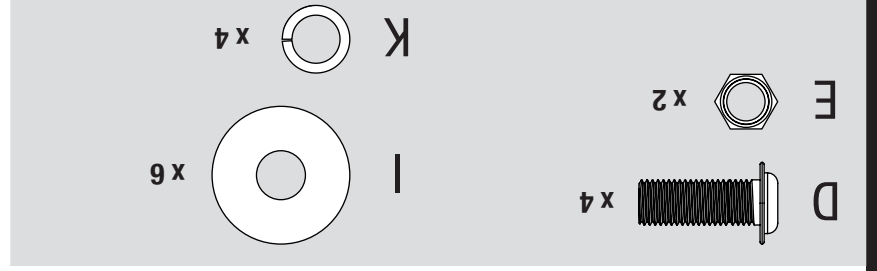
Fixez les supports supérieurs gauche et droit du cadre et fixez l'étrier de retenue de la bouteille de propane



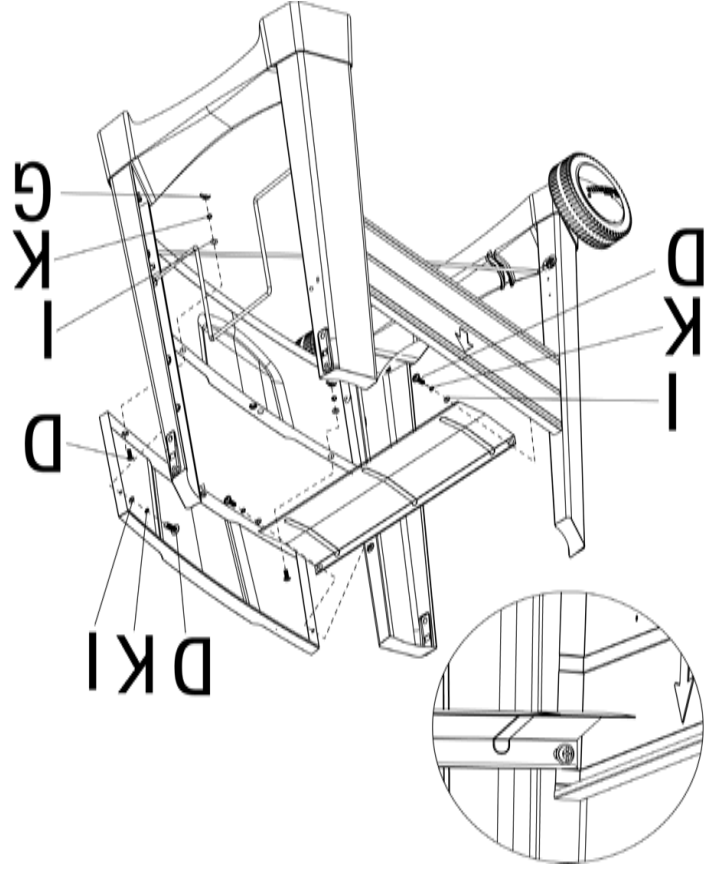
6



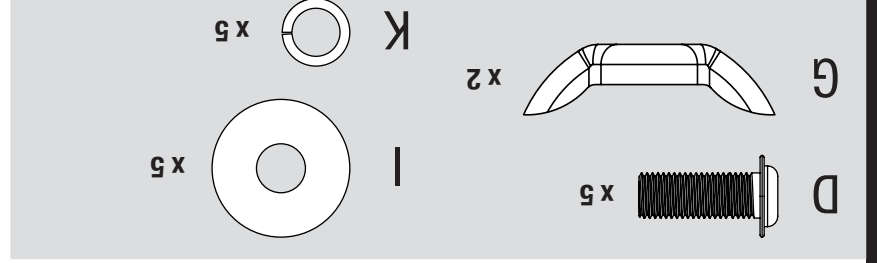
Assemblez le cadre gauche du chariot



Fixez l'écran thermique de la bouteille de propane et le



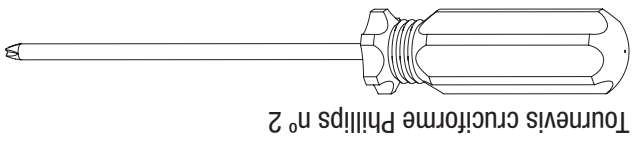
5



## Quincaillerie

|   |                     |   |        |
|---|---------------------|---|--------|
| A | Vis                 | Galvanisée, à tête bombée Phillips, M4x10 | 3 pcs  |
| B | Vis                 | Galvanisée, à tête bombée Phillips, M5x10 | 1 pc   |
| C | Vis                 | Galvanisée, à tête bombée Phillips, M6x16 | 2 pcs  |
| D | Vis                 | Galvanisée, à tête bombée Phillips, M6x16 | 36 pcs |
| E | Nut                 | Galvanisée, M5                            | 4 pcs  |
| F | Nut                 | Galvanisée, M10                           | 2 pcs  |
| G | Ecrou à oreilles    | Galvanisée, M6                            | 7 pcs  |
| H | Rondelle            | Galvanisée, ø4,3                          | 2 pcs  |
| I | Rondelle            | Galvanisée, ø6,4                          | 40 pcs |
| J | Rondelle de blocage | Galvanisée, ø4,3                          | 2 pcs  |
| K | Rondelle de blocage | Galvanisée, ø6,4                          | 34 pcs |

## Outils requis pour l'assemblage (fournis)

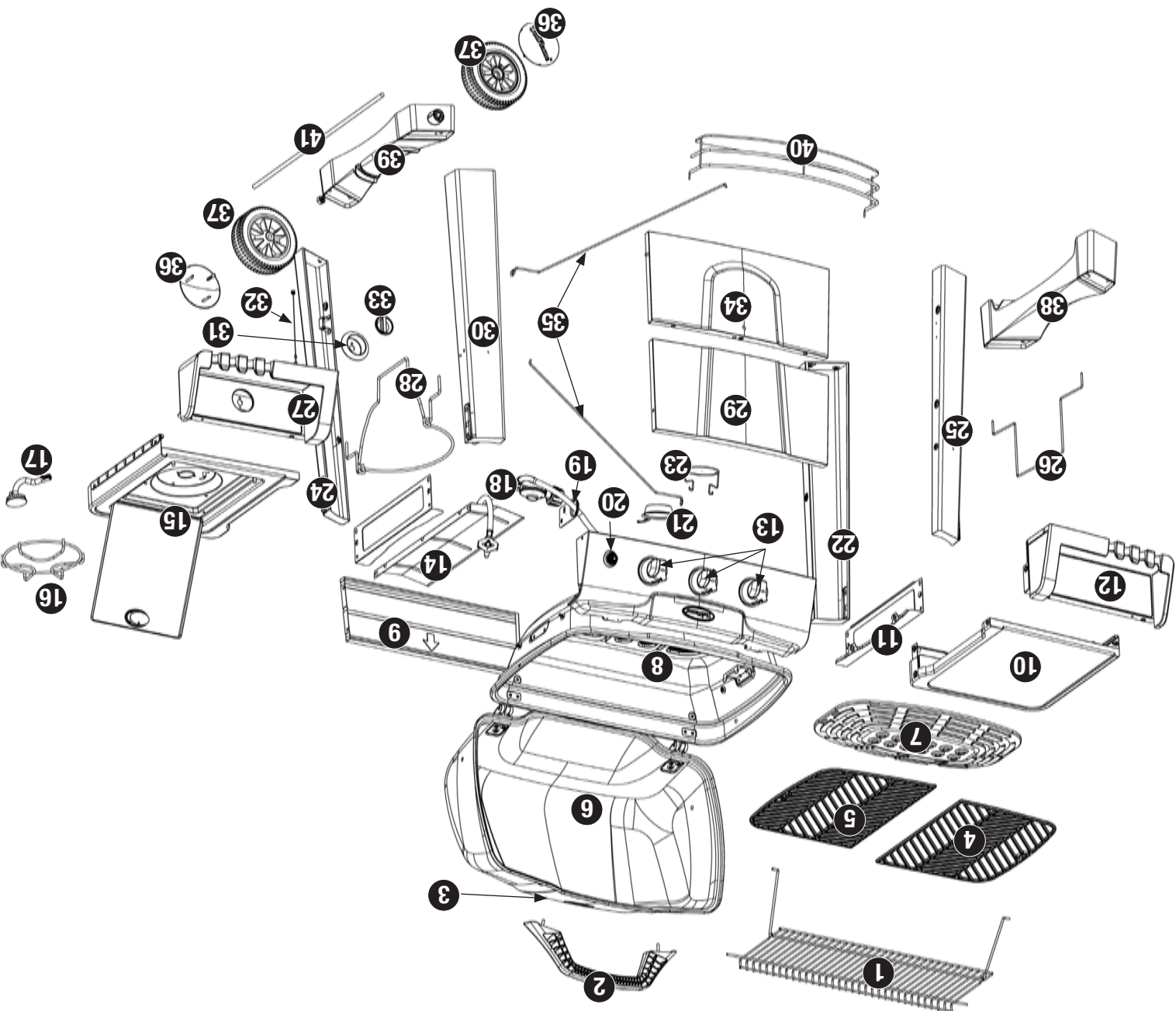


|   |                          |                   |       |
|---|--------------------------|-------------------|-------|
| L | Entretoise en caoutchouc | ø10,5 x ø17,5 x 6 | 2 pcs |
| M | Pile AA                  |                   | 1 pc  |

## Liste des pièces

- 1 Grille de réchauffage
- 2 Poignée
- 3 Indicateur de température
- 4 Grille de cuisson gauche
- 5 Grille de cuisson droite
- 6 Couvercle
- 7 Plaque chauffante
- 8 Cuve du barbecue
- 9 Panneau arrière
- 10 Tablette latérale
- 11 Support supérieur du cadre (2)
- 12 Porte-condiments gauche
- 13 Bouton de réglage (3)
- 14 Écran thermique de la bouteille de propane
- 15 Logement du brûleur latéral
- 16 Grille du brûleur latéral
- 17 Brûleur latéral
- 18 Régulateur et tuyau
- 19 Bride OCC
- 20 Bouton d'allumage
- 21 Godet collecteur de graisse
- 22 Pied arrière gauche
- 23 Support du godet collecteur de graisse
- 24 Pied arrière droit
- 25 Pied avant gauche
- 26 Protège-bouteille du cadre du chariot
- 27 Porte-condiments droit
- 28 Étrier de retenue de la bouteille de propane
- 29 Panneau avant supérieur
- 30 Pied avant droit
- 31 Support du bouton de réglage du brûleur latéral
- 32 Tige d'allumage
- 33 Bouton de réglage du brûleur latéral
- 34 Panneau avant inférieur
- 35 Protège-bouteille (2)
- 36 Enjoliveur (2)
- 37 Roue (2)
- 38 Support intérieur gauche du cadre
- 39 Support inférieur droit du cadre
- 40 Porte-condiments avant
- 41 Essieu

## Vue éclatée





## DANGERS

Si vous sentez une odeur de gaz :

1. Fermez le robinet de gaz alimentant l'appareil.

2. Éteignez toute flamme.

3. Ouvrez le couvercle.

4. Si l'odeur persiste, contactez immédiatement votre fournisseur de bouteilles de gaz ou les pompiers.

## La sécurité avant tout

### DANGERS et Mises en garde

1. Ce barbecue doit être utilisé uniquement à l'extérieur et ne doit pas être

utilisé dans un immeuble, un garage ou tout autre espace clos.

2. NE PAS utiliser ou allumer cet appareil à moins de 2,43 m de tout mur, construction ou immeuble.

3. Ce barbecue N'est PAS destiné à un usage commercial.

4. Ce barbecue doit être utilisé uniquement avec du propane liquide (PL). Toute utilisation de gaz naturel avec ce barbecue ou tentative de

conversion au gaz naturel de ce barbecue est dangereuse et annulera la

garantie.

5. Caractéristiques du propane (PL) :

a. Le propane est un gaz inflammable et dangereux si ce dernier n'est pas

manipulé correctement. Il est indispensable de connaître les dangers

encourus avant d'utiliser tout appareil fonctionnant au propane.

b. Le propane est un gaz inflammable qui risque d'exploser sous pression.

Le propane est un gaz plus lourd que l'air présent en gisements dans

les régions basses.

c. Le propane à l'état naturel est inodore. Pour votre sécurité, un odorisant

ayant l'odeur de choux avariés a été ajouté.

d. Tout contact du propane avec la peau risque d'entraîner des brûlures.

6. Il est nécessaire de brancher une bouteille de propane pour faire

fonctionner le barbecue. Seules les bouteilles marquées « propane »

peuvent être utilisées.

a. La bouteille de propane doit être fabriquée, marquée et mise en service

conformément à la Réglementation sur les bouteilles de gaz de pétrole

liquéfié établie par le Ministère des Transports des États-Unis (DOT)

ou répondre à la Norme nationale du Canada, CAN/CSA-B339 sur les

bouteilles, sphères et tubes destinés au transport de produits dangereux

et la commission.

b. La bouteille de propane doit être placée et homologuée afin de permettre

l'extraction des vapeurs de gaz.

c. La bouteille de propane doit être équipée d'un système d'arrêt

volumétrique (OPD) empêchant tout remplissage excessif.

d. Utiliser uniquement des bouteilles de propane de 20 livres (9 kg)

d'un appareil de cuisson de plein air.

e. La bouteille de propane doit posséder un col afin de protéger le robinet

et la soupape de commande de la bouteille.

f. Ne jamais utiliser une bouteille de propane si le corps, la soupape, le col

ou le socle sont endommagés.

g. Toute bouteille bosselée ou présentant des traces de rouille risque

d'être dangereuse et devrait être vérifiée par votre fournisseur avant de

l'utiliser.

h. Ne pas laisser tomber la bouteille ni la manipuler brusquement ou

brutalement!

i. Les bouteilles de gaz doivent être stockées à l'extérieur, hors de portée

des enfants et ne doivent pas être entreposées dans un bâtiment, un

garage ou dans tout autre lieu fermé. Les bouteilles de gaz ne doivent

jamais être entreposées dans un endroit où la température risque de

dépasser 51,6°C (125°F)

j. Ne jamais garder une bouteille de propane pleine dans une voiture ou

dans le coffre d'une voiture sous une forte chaleur. La chaleur peut

provoquer une augmentation de la pression du gaz, pouvant provoquer

l'ouverture de la soupape de sécurité et lui permettre de s'échapper.

k. Placer un capuchon cache-poussière sur la sortie du robinet de la

bouteille lorsque la bouteille n'est pas utilisée. Installer uniquement

le type de capuchon cache-poussière sur la sortie du robinet de la

bouteille de gaz qui est fourni avec le robinet de la bouteille. L'emploi

d'autres types de capuchons ou de bouchons risque d'entraîner une

fuite de propane.

l. Ne jamais entreposer une bouteille de propane de recharge sous ou à

proximité de cet appareil.

m. Ne jamais remplir la bouteille de propane à plus de 80% de sa capacité.

n. Les consignes ci-dessus doivent être strictement respectées et le non

respect de ces consignes risque de provoquer un incendie et d'entraîner

des dégâts matériels ou des blessures graves, voire la mort.

7. Ne jamais essayer de raccorder ce barbecue au circuit de propane d'une

caravane, maison mobile ou de votre maison.

8. La prise d'alcool, de médicaments ou de drogues risque de nuire à

l'aptitude de l'utilisateur à assembler ou à utiliser cet appareil en toute

sécurité.

9. Ne jamais utiliser de charbon de bois, de liquide allume-barbecue, de

pierres de lave, d'essence, de kérosène ou d'alcool avec ce barbecue.

10. Votre barbecue a été vérifié en usine afin de s'assurer que les raccords

ne présentent aucune fuite. Vérifier à nouveau tous les raccords car il est

possible qu'ils se soient desserrés lors du transport.

11. Vérifier que l'appareil ne présente aucune fuite même si ce dernier a été

assemblé pour vous par quelqu'un d'autre.

12. Ne pas utiliser le barbecue en cas de fuite de gaz. Toute fuite de gaz

risque de provoquer un incendie ou une explosion.

13. Il est obligatoire de suivre toutes les procédures de détection de fuite

avant d'utiliser cet appareil. Afin d'éviter tout risque d'incendie et

d'explosion lorsque l'on recherche une fuite :

a. Vérifier que le circuit ne présente pas de fuite en effectuant un

“test d'étanchéité” avant d'allumer le barbecue à chaque fois que la

bouteille de gaz est branchée afin de l'utiliser.

b. Interdiction de fumer. Ne pas utiliser ni laisser de sources d'ignition à

proximité du barbecue lorsque l'on recherche une fuite.

c. Effectuer le test d'étanchéité en plein air, dans un emplacement bien

aéré.

d. Ne pas utiliser d'allumettes, de briquets ou de flamme nue afin de

rechercher une fuite.

e. Ne pas utiliser le barbecue avant d'avoir réparé toute les fuites. S'il

s'avère impossible d'arrêter une fuite, débrancher la bouteille de

propane. Contacter un réparateur ou votre fournisseur de bouteilles de

propane.

14. Ne pas utiliser ni entreposer d'essence ou de liquides et autres vapeurs

inflammables à moins de 7,62 m de cet appareil.

15. Ne pas utiliser le barbecue en présence de vapeurs et émanations

explosives. Veiller à ce que la zone autour du barbecue demeure dégagée

et dépourvue de matières combustibles, d'essence et d'autres liquides et

vapeurs inflammables.

16. La distance de sécurité minimum entre l'appareil et toute construction

combustible est de 53 cm sur les côtés et de 53 cm à l'arrière. Ne pas

utiliser cet appareil sous une structure combustible suspendue ou en

saillie.

17. Il est primordial que le compartiment de la soupape de commande du

barbecue, les brûleurs et les passages par où l'air circule demeurent

propres. Vérifier le barbecue avant chaque utilisation.

18. Ne modifier en aucune façon le barbecue.

19. Ne pas utiliser le barbecue à moins qu'il ne soit COMPLÈTEMENT

assemblé et que les pièces ne soient toutes fixées et serrées.

20. Ce barbecue doit être vérifié et nettoyé en entier régulièrement. Nettoyer

et inspecter le tuyau à chaque fois, avant d'utiliser l'appareil. En cas

d'abrasion, d'usure, de coupures ou de fuite, le tuyau doit être remplacé

avant que cet appareil ne soit mis en fonctionnement.

21. Utiliser uniquement le régulateur et le tuyau fournis. Le régulateur et le

tuyau de recharge doivent être ceux spécifiés par le fabricant.

22. Utiliser uniquement des pièces agréées de l'usine Blue Rhino Global

Sourcing, LLC. L'emploi de toute pièce non agréée peut être dangereuse

et entraînera l'annulation de la garantie.

23. Ne pas utiliser cet appareil avant de lire le chapitre « Fonctionnement » de

ce manuel.

24. Ne pas toucher les pièces métalliques du barbecue avant qu'il n'ait

complètement refroidi (attendre environ 45 minutes) afin de ne pas se

brûler à moins de porter des vêtements de protection (gants, maniques,

attrail de barbecue, etc.).

25. Lors de la cuisson, conserver toujours à portée de main des articles ou

matières capables d'éteindre le feu. En cas de feu de graisse, ne tentez

pas d'éteindre le feu avec de l'eau. Utiliser un extincteur à poudre BC ou

étouffez le feu avec de la terre, du sable ou du bicarbonate de soude.

26. Ne pas installer ni utiliser cet appareil à bord d'un bateau ou d'un

véhicule récréatif.

27. Ne pas utiliser le barbecue par grand vent.

28. Ne jamais se pencher au-dessus du barbecue pour l'allumer.

29. Ne jamais laisser un barbecue allumé sans surveillance surtout si des

enfants ou des animaux domestiques et de compagnie sont à proximité.

30. Ne pas essayer de déplacer le barbecue quand il est allumé. Laisser le

barbecue refroidir avant de le déplacer ou de le remiser.

31. Le remissage du barbecue à l'intérieur est autorisé seulement si la

bouteille a été débranchée et retirée de l'appareil et correctement

entreposée à l'extérieur.

32. Veiller à toujours ouvrir le couvercle du barbecue lentement et avec

précaution car la chaleur et la vapeur piégées à l'intérieur risquent de

provoquer de graves brûlures.

33. Ne pas tenter de débrancher le régulateur de gaz de la bouteille ou de

débrancher une pièce quelconque de l'alimentation du gaz lorsque le

barbecue est allumé.

34. Placer toujours le barbecue sur une surface plane et dure. Il est

déconseillé de le placer sur de l'asphalte ou du bitume.

35. Placer les tuyaux de gaz le plus loin possible des surfaces chaudes et de

l'égouttage des graisses brûlantes.

36. Veiller à ce que les câbles et cordons électriques demeurent toujours loin

du barbecue lorsqu'il est chaud.

37. Ne pas utiliser le barbecue pour se chauffer ou pour cuisiner à l'intérieur.

38. Après une période de remissage ou si le barbecue n'a pas été utilisé pour

et provoquer l'asphyxie.

39. La nourriture est cuite à une température adéquate.

40. Lorsque l'on n'utilise pas le barbecue, fermer l'alimentation du gaz au

niveau de la bouteille.

41. Ne jamais utiliser le barbecue sans avoir installé auparavant les plaques

chauffantes.

42. Veiller à toujours utiliser un thermomètre à viande afin de s'assurer que

la nourriture est cuite à une température adéquate.

43. Porter des gants de protection pour assembler cet article.

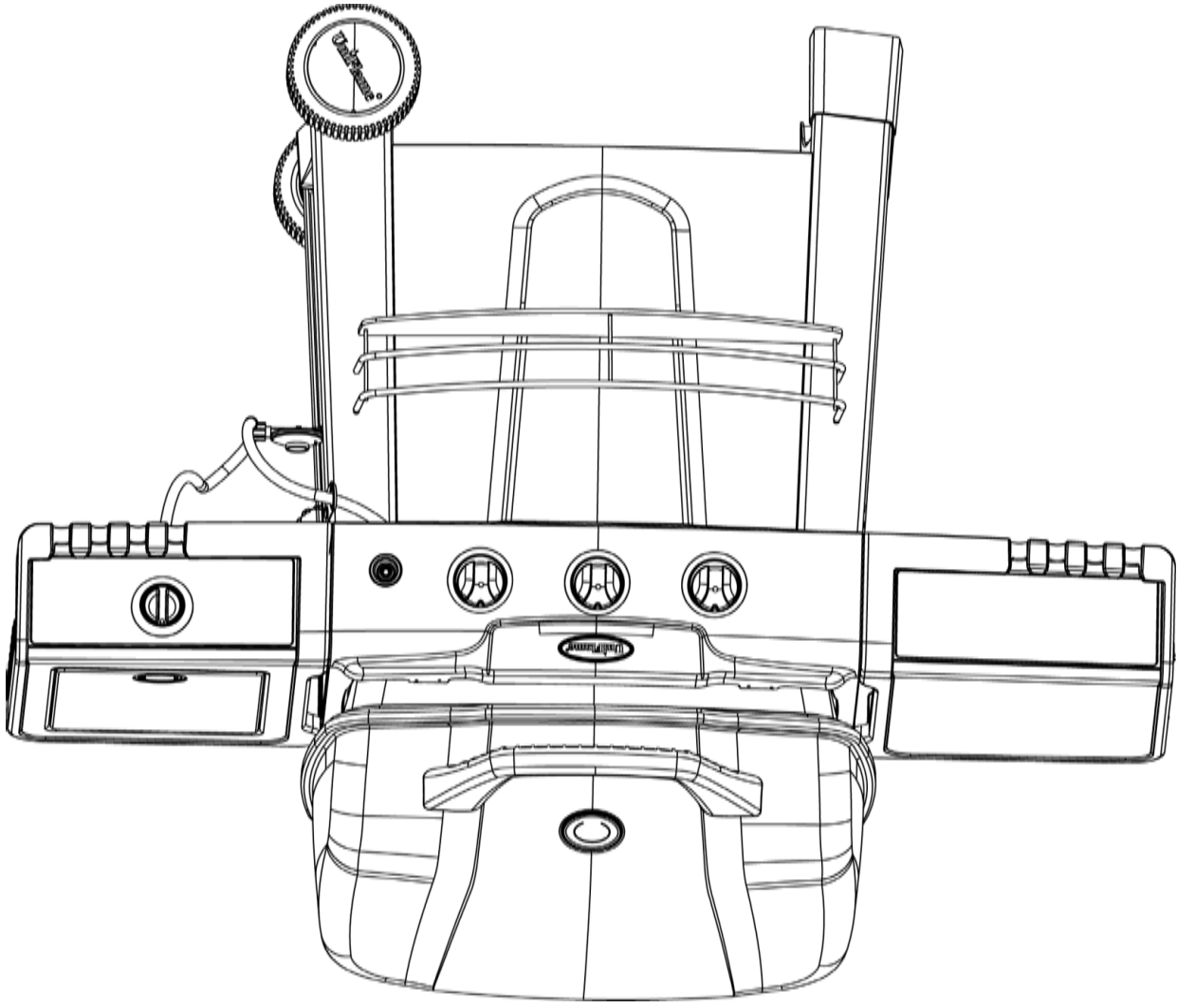
44. Ne pas forcer les pièces les unes dans les autres afin d'éviter toute

blessure et éviter d'endommager cet article.

45. El no seguir exactamente las instrucciones dadas arriba puede producir daños a la propiedad, lesiones serias y hasta fatales.

## Barbecue au propane pour usage extérieur

Modèle n° GBC730W-C



### **AVERTISSEMENT**



Pour usage à l'extérieur seulement  
(hors de tout abri clos)

### **AVERTISSEMENT**



1. Toute installation défectueuse ou modification incorrecte ainsi que tout mauvais réglage ou entretien incorrect risque d'entraîner des blessures ou des dégâts matériels.

2. Lire complètement les instructions d'installation, d'utilisation et d'entretien avant de procéder à la maintenance de l'appareil ou à son entretien.

3. Le non-respect de ces consignes risque de provoquer un incendie ou une explosion et entraîner des dégâts matériels, des blessures graves voir la mort.

Conservez ces instructions afin de pouvoir les consulter ultérieurement. Si vous êtes en train d'assembler cet appareil pour une autre personne, veuillez lui fournir le manuel afin qu'elle puisse le lire et le consulter plus tard.

### Table des matières

|  |        |
|--|--------|
| Consignes de sécurité importantes.....       | Page 2 |
| Vue éclatée des pièces et quincaillerie..... | 3      |
| Directives d'assemblage.....                 | 4      |
| Installer la bouteille de propane.....       | 8      |
| Insérer la bouteille de propane.....         | 8      |
| Fixer la bouteille de propane.....           | 8      |
| Brancher la bouteille de propane.....        | 8      |
| Fonctionnement.....                          | 8      |
| Rechercher une fuite potentielle.....        | 8      |
| Fonctionnement des brûleurs principaux.....  | 8      |
| Fonctionnement du brûleur latéral.....       | 9      |
| Nettoyage et entretien.....                  | 9      |
| Enregistrement de l'appareil.....            | 10     |
| Garantie limitée.....                        | 10     |
| Guide de dépannage.....                      | 11     |

L'utilisation et l'installation de cet appareil doivent être conformes aux codes locaux. En l'absence de codes locaux, suivez le Code national du gaz et des combustibles, les normes ANSI Z223.1/NFPA 54, CAN/CGA-B149.1 et le Code d'installation du gaz naturel et du propane.

Fabriqué en Chine pour:  
Blue Rhino Global Sourcing, LLC  
Winston-Salem, NC 27104 États-Unis  
1.800.762.1142, www.bluerhino.com

© 2006 Blue Rhino Global Sourcing, LLC. Tous droits réservés.  
UniFlame® est une marque déposée de Blue Rhino Global Sourcing, LLC. Tous droits réservés.





## Free Manuals Download Website

<http://myh66.com>

<http://usermanuals.us>

<http://www.somanuals.com>

<http://www.4manuals.cc>

<http://www.manual-lib.com>

<http://www.404manual.com>

<http://www.luxmanual.com>

<http://aubethermostatmanual.com>

Golf course search by state

<http://golfingnear.com>

Email search by domain

<http://emailbydomain.com>

Auto manuals search

<http://auto.somanuals.com>

TV manuals search

<http://tv.somanuals.com>