

## RPK88 Rack Mount Kit

### Installation and Use Manual

The RPK88 Rack Mount Kit is designed to flush mount the components of a PCM system. The RPK88 will hold up to ten modules in two assemblies. The RPK88 allows easy mounting of these modules in a standard 19-inch audio rack. The kit includes twelve wiring saddles, eight mounting brackets, and eight #6 x 1/4" screws.

#### RPK88 Mounting Plate

Knock-out panels (nine total)

1 START HERE  
(Panel left open)

Remove additional panels to fit assembled PCM system (beginning here, then work left to right)

Four Modules Max.

Six Modules Max.

#6 x 1/4" Screws (8)

Mounting Brackets (8)

Wiring Saddles (12)

Plug wiring saddles into any of 12 staggered holes as needed

Knock-out panel for power supply power cord (as needed, two total)

Knock-out panels for wiring access (as needed, six total)

1 Remove appropriate knock-out panels.

2 Attach mounting brackets to top and bottom corners of module assembly. Use screws included with modules.

3 Attach module assembly to RPK88 using #6 x 1/4" screws.

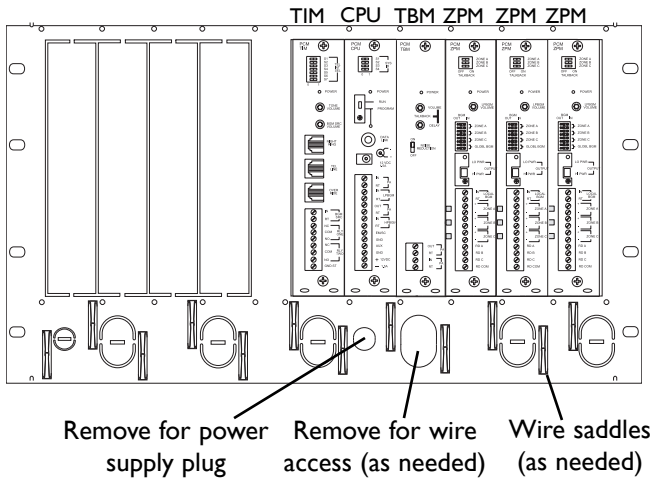
See PCM system instructions for module assembly.

© 2005 Bogen Communications, Inc.  
All rights reserved.  
Specifications subject to change without notice.  
54-2146-01A 0601

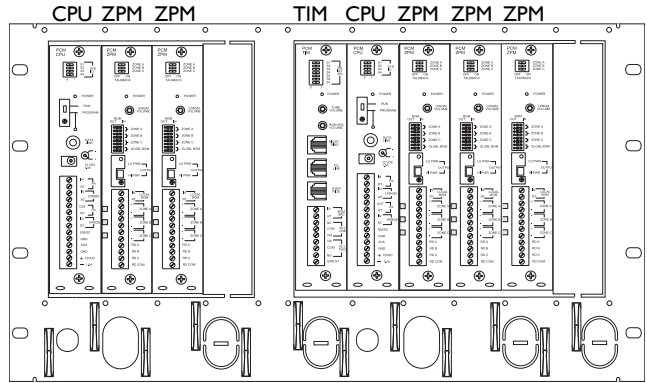
The diagram illustrates the RPK88 Mounting Plate, a rectangular metal plate with a grid of holes. It features two main sections for module installation: a left section labeled 'Four Modules Max.' and a right section labeled 'Six Modules Max.'. A circled '1' indicates the starting point for removing panels, with the instruction 'START HERE (Panel left open)'. A note says 'Remove additional panels to fit assembled PCM system (beginning here, then work left to right)'. To the right, three components are shown: a #6 x 1/4" screw, a mounting bracket, and a wiring saddle. Below the plate, two specific knock-out locations are identified: one for a power supply power cord and six for wiring access. A 3-step installation process is shown in a separate diagram: 1. Removing panels, 2. Attaching mounting brackets to the top and bottom corners of the module assembly, and 3. Attaching the module assembly to the RPK88 using screws. A circular inset shows a close-up of a mounting bracket being attached to the plate.

# Completed Assembly Examples

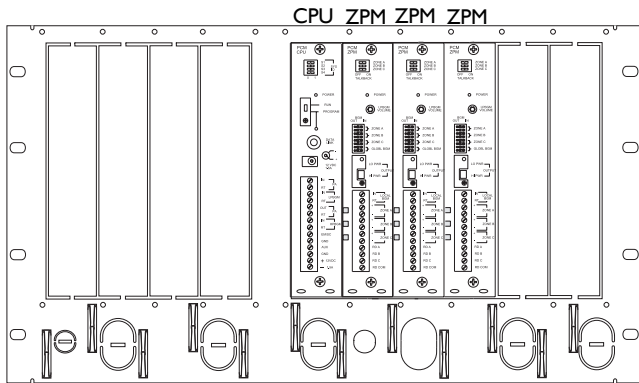
A nine-zone PCM system with talk-back capability:



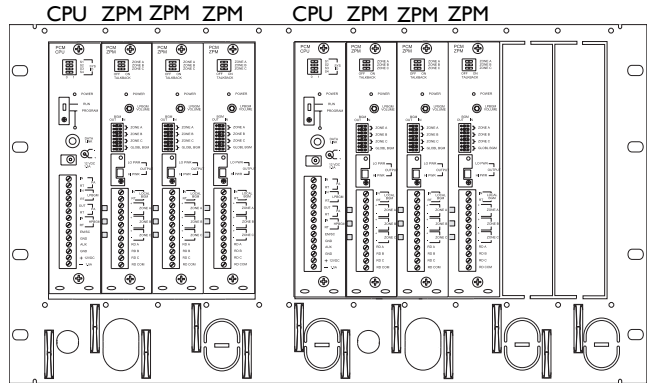
A 15-zone PCM system without talk-back capability, six-zone slave assembly mounted at left:



A single nine-zone slave assembly:



Two nine-zone slave assemblies:



## WARRANTY

The Bogen RPK88 is warranted to be free from defects in material or workmanship for two (2) years from the date of sale to the original purchaser. Any part of the product covered by this warranty that, with normal installation and use, becomes defective will be repaired or replaced by Bogen, at our option, provided the product is shipped insured and prepaid to: Bogen Factory Service Department, 50 Spring Street, Ramsey, NJ 07446, USA. The product will be returned to you freight prepaid. This warranty does not extend to any of our products that have been subjected to abuse, misuse, improper storage, neglect, accident, improper installation or have been modified or repaired or altered in any manner whatsoever, or where the serial number or date code has been removed or defaced.

THE FOREGOING LIMITED WARRANTY IS BOGEN'S SOLE AND EXCLUSIVE WARRANTY AND THE PURCHASER'S SOLE AND EXCLUSIVE REMEDY. BOGEN MAKES NO OTHER WARRANTIES OF ANY KIND, EITHER EXPRESS OR IMPLIED, AND ALL IMPLIED WARRANTIES OF MERCHANTABILITY OR FITNESS FOR A PARTICULAR PURPOSE ARE HEREBY DISCLAIMED AND EXCLUDED TO THE MAXIMUM EXTENT ALLOWABLE BY LAW. Bogen's liability arising out of the manufacture, sale or supplying of products or their use or disposition, whether based upon warranty, contract, tort or otherwise, shall be limited to the price of the product. In no event shall Bogen be liable for special, incidental or consequential damages (including, but not limited to, loss of profits, loss of data or loss of use damages) arising out of the manufacture, sale or supplying of products, even if Bogen has been advised of the possibility of such damages or losses. Some States do not allow the exclusion or limitation of incidental or consequential damages, so the above limitation or exclusion may not apply to you. This warranty gives you specific legal rights, and you may also have other rights which vary from State to State.

Products that are out of warranty will also be repaired by the Bogen Factory Service Department — same address as above or call 201-934-8500. The parts and labor involved in these repairs are warranted for 90 days when repaired by the Bogen Factory Service Department. All shipping charges in addition to parts and labor charges will be at the owner's expense. All returns require a Return Authorization number.

08/10/2004

**BOGEN**  
COMMUNICATIONS, INC.

50 Spring Street, Ramsey, NJ 07446  
Tel. 201-934-8500, Fax: 201-934-9832  
www.bogen.com

## Free Manuals Download Website

<http://myh66.com>

<http://usermanuals.us>

<http://www.somanuals.com>

<http://www.4manuals.cc>

<http://www.manual-lib.com>

<http://www.404manual.com>

<http://www.luxmanual.com>

<http://aubethermostatmanual.com>

Golf course search by state

<http://golfingnear.com>

Email search by domain

<http://emailbydomain.com>

Auto manuals search

<http://auto.somanuals.com>

TV manuals search

<http://tv.somanuals.com>