

B O L Z A N O  V I L L E T R I

TOUCH THE SOUND

BV Subwoofer  
VECCHIO

Owner's Manual

# 1 Thank you for choosing Bolzano Villettri loudspeakers!

Bolzano Villettri loudspeakers represent a unique approach towards loudspeakers manufacturing. The fundamentals of our work are based on our long-term theoretical research; together with the mastery of our skilled experts; our modern advanced design and our serious attitude towards all stages of the loudspeakers creation process. It is through this we have achieved perfection of form and content. Our loudspeakers are graphical evidence of that!

It is important for us that your new Bolzano Villettri loudspeakers be set up and connected optimally. This manual contains our recommendations for setup, connection and maintenance.

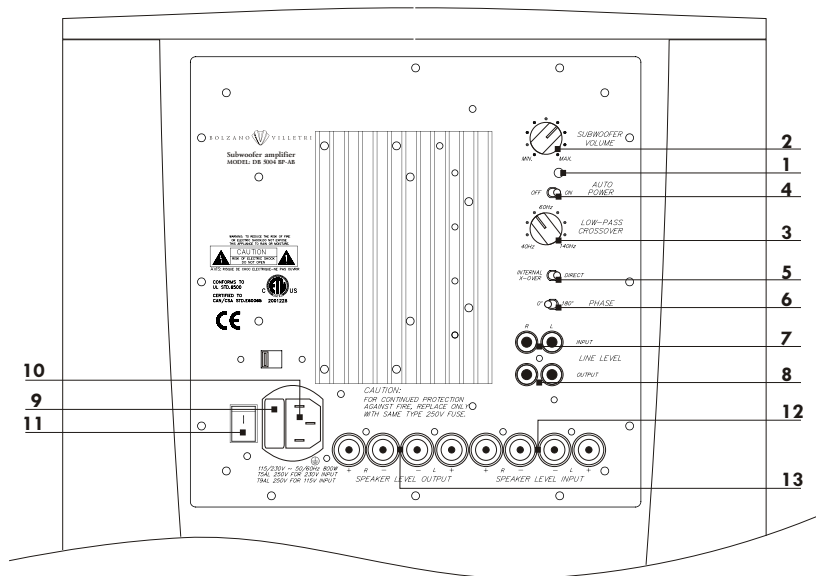
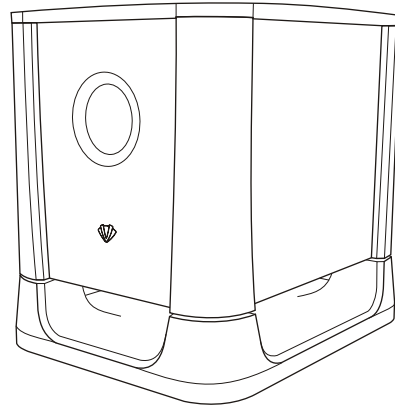
To extract the best standards of your system please refer closely to this manual. It may be also necessary for you to refer to your other components' user guides to prevent any damage or loss in performance which may occur from incorrect installation.

Enjoy!

BV subwoofer **VECCHIO** is based on semi-counteraperture principle.

Subwoofers extend the bass response of your system beyond the limitation of most speakers. They are used with, not in the place of, your existing left and right speakers. A subwoofer can dramatically enhance a dynamic range on low frequency of stereo systems, or a full fledged home theater.

This active subwoofer features a highly efficient ported enclosure, a rugged 12-inch reinforced driver and a 500-watt amplifier with a passive low frequency crossover network. A line level input is provided for fast and easy connection to virtually any system.



- |                                 |                |                         |
|---------------------------------|----------------|-------------------------|
| 1 Power/Standby indicator       | 6 Phase switch | 10 Power input socket   |
| 2 VOLUME control                | 7 LINE IN      | 11 POWER on/off switch  |
| 3 LOW-PASS FREQUENCY control    | 8 LINE OUT     | 12 Speaker Level Input  |
| 4 MODE On/Auto/Standby switch   | 9 Fuse         | 13 Speaker Level Output |
| 5 LOW-PASS FILTER defeat switch |                |                         |

## Unpacking the product

Unpack the subwoofers and check the contents. If you suspect damage from transit, report it immediately to your dealer and/or delivery service. Keep the shipping cases for future use.

# 3

## Warnings

1. **Read Instructions** All the safety and operating instructions should be read before the appliance is operated.
2. **Retain Instructions** The safety and operating instructions should be retained for future reference.
3. **Heed Warnings** All warnings on the appliance and in the operating instructions should be adhered to.
4. **Follow Instructions** All operating and use instructions should be followed.
5. **Installation** Install in accordance with the manufacturer's instructions.
6. **Power Sources** This product should be operated only from the type of power source indicated by the marking situated on the rear panel. If you are not sure of the type of power supply to your home, consult your product dealer or local power company.
7. **Grounding or Polarisation** The appliance is not required to be grounded. Ensure the plug is fully inserted into the wall outlet or extension cord receptacle to prevent blade or pin exposure. Some versions of the product are equipped with a power cord fitted with a polarized alternating line plug (a plug having one blade wider than the other). This plug will fit onto the power outlet only one way. This is a safety feature. If you are unable to insert the plug fully into the outlet, try reversing the plug. If the plug should still fail to fit, contact your electrician to replace your obsolete outlet. Do not defeat the safety purpose of the polarised plug. When using an extension power-supply cord or a power-supply cord other than that supplied with the appliance, it should be fitted with the appropriate moulded-on plugs and carry safety approval appropriate to the country of use.
8. **Power Cord Protection** Power-supply cords should be routed so that they are not likely to be walked on or pinched by items placed on or against them, paying particular attention to cords at plugs, convenience receptacles and the point where they exit from the appliance.
9. **Overloading** Do not overload wall outlets, extension cords or integral convenience receptacles, as this can result in a risk of fire or electric shock.
10. **Ventilation** The amplifier panel at the rear of the product forms part of the cooling mechanism and must not be obscured by placing the product on a bed, sofa, rug, or other similar surface. Do not cover the amplifier panel with any items such as tablecloths, newspapers, etc. Ensure the heat sink fins are aligned vertically to ensure proper cooling. There should be a clear gap of at least 50mm (2-in) between the back of the product and any wall or partition.
11. **Wall or Ceiling Mounting** The product should be mounted to a wall or ceiling only as recommended by the manufacturer.
12. **Water and Moisture** To reduce the risk of fire or electric shock, do not expose the product to rain or excessive moisture such as in a sauna or bathroom. Do not use this product near water for example, near a bathtub, washbowl, kitchen sink, laundry tub, in a wet basement, or near a swimming pool and the like.
13. **Object and Liquid Entry** Never push objects of any kind into this product through openings, as they may touch dangerous voltage points or short out parts that could result in a fire or electric shock. Never spill liquid of any kind on the product. Do not place any object containing liquid on top of the product.
14. **Cleaning** Unplug the product from the wall outlet before cleaning. The cabinet of the subwoofer may be cleaned by dusting with a dry cloth.
15. **Attachments** Do not use attachments not recommended by the product manufacturer, as they may cause hazards.
16. **Non-use Periods** The power cord of the appliance should be unplugged from the outlet during lightning storms or when the apparatus is left unused for a long period of time.
17. **Servicing** Do not attempt to service this product yourself, as opening or removing covers may expose you to dangerous voltage or other hazards. Refer all servicing to qualified service personnel.

- 18. Damage Requiring Service** Unplug this product from the wall outlet and refer servicing to qualified personnel under the following conditions:
- When the power-supply cord or plug has been damaged.
  - If liquid has been spilled or objects have fallen into the appliance.
  - If the product has been exposed to rain or water.
  - If the product does not operate normally by following the operating instructions. Adjust only those controls that are covered by the operating instructions, as an improper adjustment of other controls may result in damage and will often require extensive work by a qualified technician to restore the product to its normal operation.
  - If the product has been dropped, or damaged in any way.
  - When the product exhibits a distinct change in performance this indicates a need for service.
- 19. Replacement Parts** When replacement parts are required, be sure the service technician has used replacement parts specified by the manufacturer or have the same characteristics as the original part. Unauthorised substitutions may result in fire, electric shock or other hazards.
- 20. Mains Fuses** For continued protection against fire hazard, use fuses only of the correct type and rating. The amplifier is designed to operate with nominal mains supplies in the range 115V to 230V AC, but different types of fuse are used, dependent on the mains voltage. The correct fuse specification for each voltage range is marked on the product.

## Explanation of graphical symbols

---



The lightning flash within an equilateral triangle is intended to alert you to the presence of uninsulated "dangerous voltage" within the product's enclosure that may be of sufficient magnitude to constitute an electric shock to persons.

---



To reduce the risk of electric shock, do not remove the back panel and do not expose the apparatus to rain or moisture. No userserviceable parts inside. Refer servicing to qualified personnel.

---



The exclamation point within an equilateral triangle is intended to alert you to the presence of important operating and maintenance (servicing) instructions in the literature accompanying the appliance.

# 5

## Connecting the subwoofer

### Hi Level In

These inputs are designed to accept an amplified signal from the speaker outputs of a receiver, power amp or other device not equipped with line level outputs.

### Hi Level Out

The original amplified signal from your source is present at these outputs, for connection to the existing left and right speakers (direct connection from amplifier is the best).

### Line In

The RCA-type jack of your Subwoofer is designed to accept a line level signal from a receiver, pre-amp, surround sound decoder, television or similar device. When using a single line level output from another unit, a Y connector (not included) should be used to send the signal to both the left and right inputs.

### Hi Level Connections

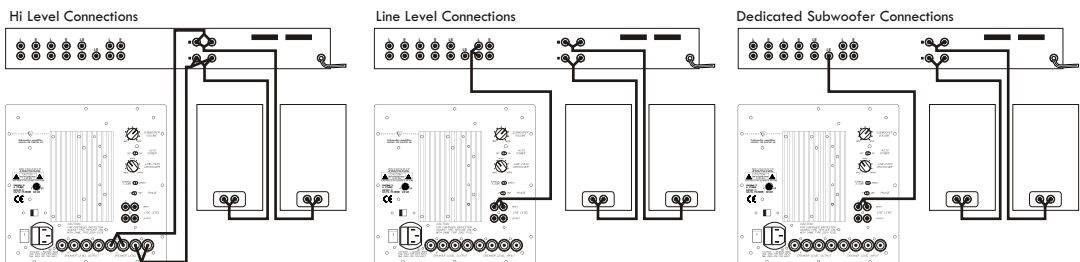
Here the signal is already amplified as it leaves the receiver/amplifier. The speaker terminals of this unit are connected to the hi level inputs of the Subwoofer. The left and right speakers receive the original amplified signal from the Subwoofer hi level outputs.

### Line Level Connections

In this example, the pre-amp outputs of a stereo receiver are connected to the Subwoofer line inputs.

### Dedicated Subwoofer Connections

Many surround sound decoders, home theater processors and audio/video receivers are equipped with a dedicated subwoofer line output. In this case, the signal is already processed and does not need to return to the system or other speakers. Connect this line output to the line inputs of the Subwoofer. A Y connector (not included) should be used to feed this single output to both the left and the right line inputs. With this type of connection we recommend that the Low-Pass Filter should be switched off.



## Power

The subwoofer is equipped with both a Power switch and an Auto On switch. In order to function, the Power switch must be turned on, indicated by the green color of the LED. The Auto On has two Positions: ON The subwoofer is on at all time and ready to play program material. AUTO ON As long as no audio signal is received, the subwoofer is in Standby mode to conserve power. When an audio signal is sensed, the subwoofer will switch itself into the fully On mode and begin playing the program material. When a period of about 2 minutes goes by during which no signal is sensed, the subwoofer will return to Standby mode.

If you plan to be away for an extended time, or if the subwoofer will not be used, you may wish to turn off the Power switch.

## Subwoofer Volume

The level control adjusts the volume of the subwoofer. Once set, the level control should not require further adjustment. Begin with the level control at the minimum position. Slowly increase the level until you can hear the subwoofer. A subwoofer playing too loud can give your system a muddy sound, so be sure to balance the subwoofer carefully with your other speakers. Output level is relative and can be different from location to location. Always return to the normal listening location to evaluate any setting changes.

## Low pass

The crossover frequency control determines the highest frequency at which the subwoofer reproduces sounds. It can be adjusted from 26 Hz to 140Hz.

## Specifications

<b>BV Subwoofer VECCHIO</b>	
<b>Description</b>	Active subwoofer based on semi-counteraperture principle
<b>Drive unit</b>	1x12" polypropylene cone bass
<b>Frequency response</b>	26-140 Hz
<b>Amplifier:</b> <b>Output power</b> <b>Line Level Inputs</b> <b>Variable Crossover Control</b>	500 W Stereo L&R RCA Connector Dual linear taper potentiometer; Variable from 40-120Hz 2 position toggle switch; normal (0), Reverse (180)
<b>Phase control</b> <b>AC Power Line in Voltage</b> <b>Main Socket</b> <b>Fuse</b>	115/230Vac+/-10%; 50/60Hz Standard 2 conductor IEC socket with 1.83m power cord The correct fuse specification for each voltage range Is marked on the product
<b>Dimensions:</b> <b>Height</b> <b>Width</b> <b>Depth</b>	16.9" (430 mm) 19.7" (500 mm) 19.7" (500 mm)
<b>Net weight</b>	45 kg

## Free Manuals Download Website

<http://myh66.com>

<http://usermanuals.us>

<http://www.somanuals.com>

<http://www.4manuals.cc>

<http://www.manual-lib.com>

<http://www.404manual.com>

<http://www.luxmanual.com>

<http://aubethermostatmanual.com>

Golf course search by state

<http://golfingnear.com>

Email search by domain

<http://emailbydomain.com>

Auto manuals search

<http://auto.somanuals.com>

TV manuals search

<http://tv.somanuals.com>