



BOSCH

INSTALLATION INSTRUCTION MANUAL

for

Bosch Electric Built-in Ceramic Cook-top

Models NKT 72 and NKT 92

MANUEL D'INSTALLATION

Surface de cuisson électrique en céramique encastrée

Modèles NKT 72 et NKT 92

BEFORE YOU BEGIN, READ THESE INSTRUCTIONS COMPLETELY AND CAREFULLY.

VEUILLEZ LIRE ATTENTIVEMENT CE MANUEL AVANT DE COMMENCER L'INSTALLATION.

IMPORTANT: Save these instructions for the local electrical inspector's use.

INSTALLER: Please leave this manual with owner for future reference.

OWNER: Please keep this manual for future reference.

IMPORTANT: Conservez ce manuel pour l'inspecteur électrique local.

INSTALLATEUR: Veuillez remettre ce manuel au propriétaire de l'appareil pour référence.

PROPRIÉTAIRE: Veuillez garder ce manuel et vous en servir pour référence.

Table of Contents

Introduction	3
Tools You Will Need	
Power Requirements	
Counter Preparation	
Steps for Installation	
Technical Data	4
Preparing the Location	
for 30" Cook-Top	5
for 36" Cook-Top	6
Attaching Fastening Rails	7
Placing the Cook-Top	8
Electrical Supply	9
Electrical Connections	10
Final Check List	11
Schematic Wiring Diagrams	12

Table des matières

Introduction	14
Les outils dont vous aurez besoin	
Spécifications électriques requises	
Préparation du comptoir	
Étapes de l'installation	
Données techniques	15
Préparation de l'emplacement, 30"	16
Préparation de l'emplacement, 36"	17
Installation des rails de fixation	18
Mise en place de la surface de cuisson	19
Alimentation en électricité	20
Connexions électriques	21
Liste de vérification finale	22
Schéma électrique	23

Introduction

Please read these instructions **COMPLETELY AND CAREFULLY**. They will save you time and effort and help to ensure optimum cook-top performance. Be sure to observe all **WARNINGS**.

These installation instructions are intended for use by a qualified installer. In addition to these instructions the cook-top shall be installed:

- In the United States, in accordance with the National Electric Code/State and Municipal codes and/or local codes.
- In Canada, in accordance with Canadian Electric Code C22.1-latest edition/Provincial and Municipal codes and/or local codes.

These shall be carefully followed at all times.

TOOLS YOU WILL NEED

The following tools are needed to install your new cook-top:

- Tape measure and straightedge or ruler
- Pencil
- Phillips screwdriver
- Pliers
- Wire cutters and wire stripper
- 1" hole saw
- Hand or saber saw

POWER REQUIREMENTS

The cook-top must be supplied with the proper voltage and frequency. The cook-top must be connected to a three wire or four wire, single phase, 240 or 208 volt, 60 Hz AC only electrical supply on a separate circuit fused on both side of the line. A circuit breaker or time-delay fuse sized not to exceed the circuit rating of the appliance specified on the serial/rating plate located on the bottom of the cook-top is recommended.

The cook-top must be connected with copper wires **ONLY**.

It is recommended that you have the electrical wiring and hook-up of your cook-top performed by a qualified electrician. After installation is complete have the electrician show you where the main disconnect is and which of the circuit breakers/fuses are for the cook-top.

COUNTER PREPARATION

Counter space must be provided for installation of your new cook-top. When choosing a location consider the following **IMPORTANT CONSIDERATIONS**:

- Cabinet storage space located above the cook-top should be avoided, to eliminate the risk of burns or fire caused by reaching over heated surface units of the cook-top. If you choose to install cabinet storage above the cook-top, install a range hood that extends out horizontally at least 5" (127 mm) beyond the bottom front edge of the cabinets.
- If you choose to install cabinet storage above the cook-top, do not store any item(s) that could be of interest to children in the cabinets above the cook-top. Children climbing on the cook-top could be seriously burned.
- If you choose to install cabinet storage above the cook-top, do not store heavy, hard objects that if dropped could damage the ceramic cooking surface in the cabinets above the cook-top.

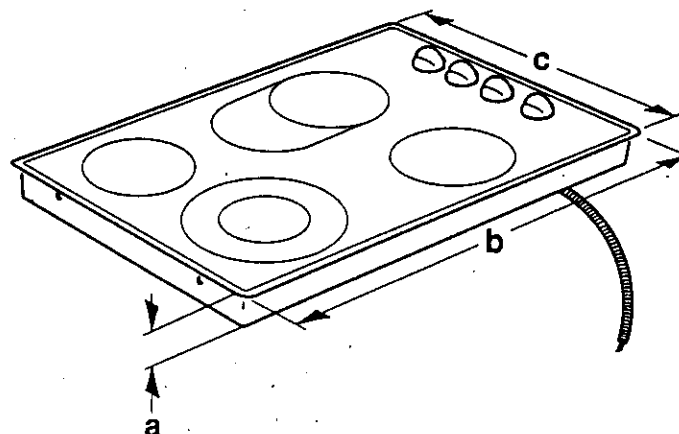
STEPS FOR INSTALLATION

The following pages provide a step by step guide for installation of the cook-top arranged as follows:

- Technical Data
- Preparing the Location, for 30" cook-top
- Preparing the Location, for 36" cook-top
- Attaching Fastening Rails
- Placing the Cook-Top in its Location
- Electrical Supply
- Electrical Connections
- Final Check List

Technical Data

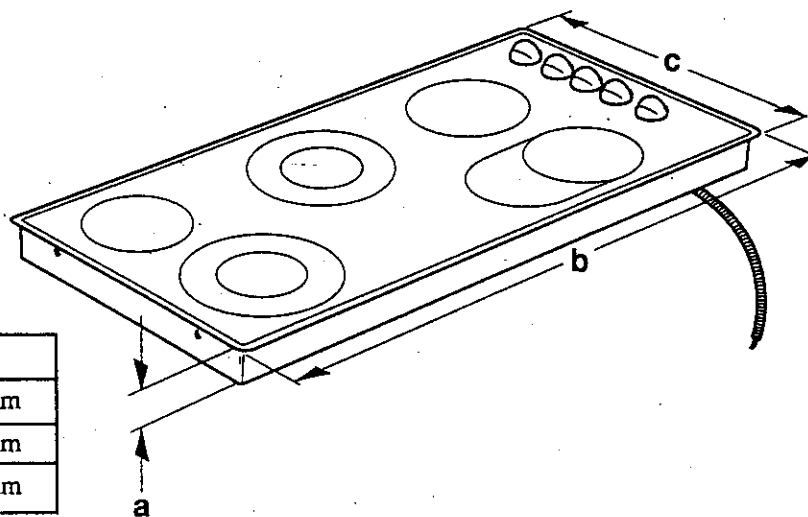
NKT 72 series, (30", 4 element)



Dimensions, NKT 72			
a	Height	4"	102 mm
b	Width	30"	762 mm
c	Depth	20 1/2"	521 mm

Electrical Rating, NKT 72			
Volts	Hertz	Amperes	Watts
240	60	40	7 900
208	60	28	6 000

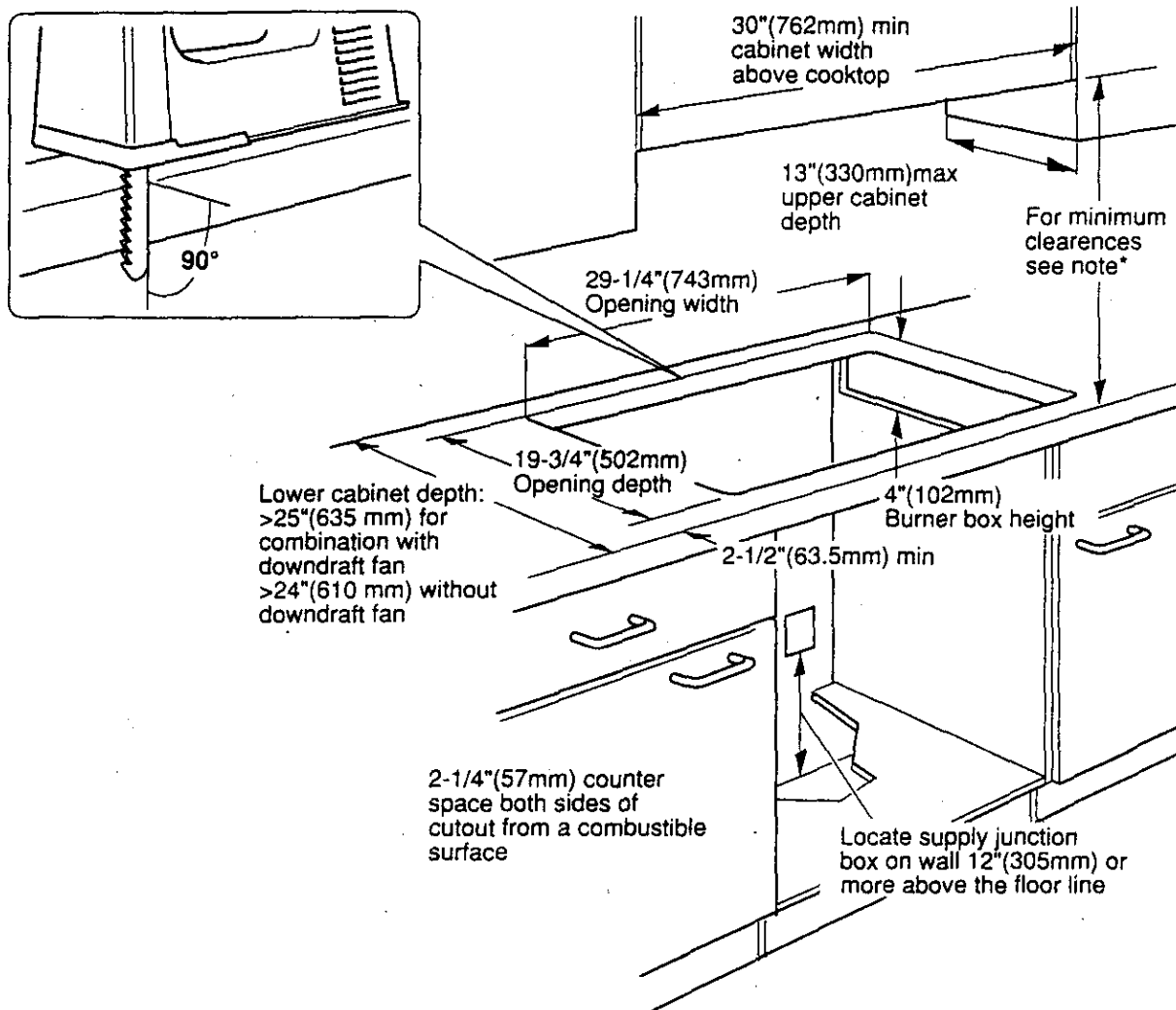
NKT 92 series, (36", 5 element)



Dimensions, NKT 92			
a	Height	4"	102 mm
b	Width	36"	914 mm
c	Depth	20 1/2"	521 mm

Electrical Rating, NKT 92			
Volts	Hertz	Amperes	Watts
240	60	40	9 900
208	60	35	7 400

Preparing the Location for 30", four Element Cook-Top



Work top:

The work top must have a minimum thickness of 1". It must be level and sealed along the wall to protect against spilled liquid.

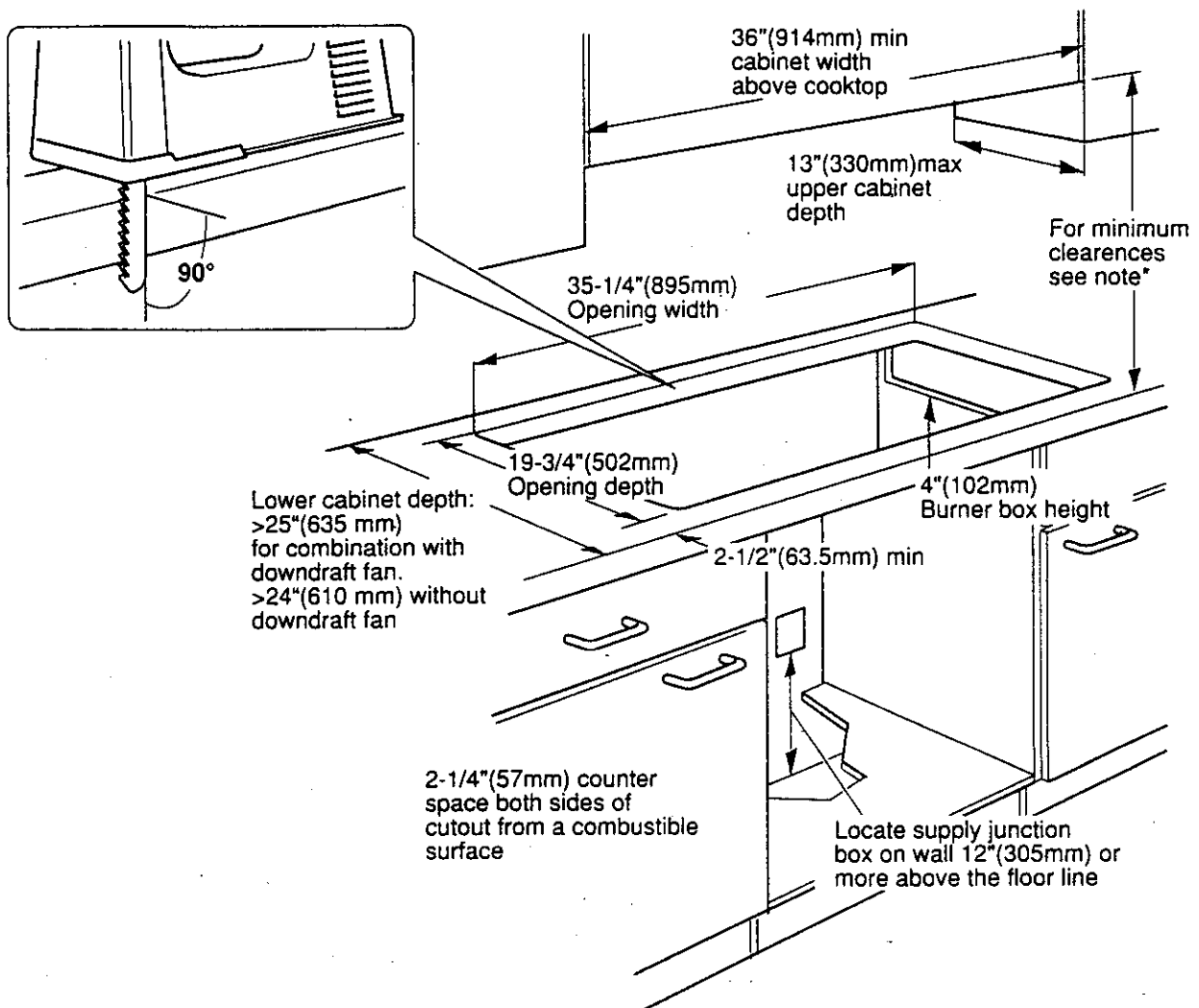
Cabinets:

Cabinets must resist temperatures of up to 212°F (100°). This applies in particular for veneers, edges, plastic surfaces, glue and paint.

• Note: 24" min. clearance if bottom of wood or metal cabinet is protected by not less than 1/4" flame retardant millborad covered with not less than No. 28 MSG sheet steel, 0.015" stainless steel, or 0.024" aluminum or 0.020" copper.

30" min. clearance between top of cooking platform and bottom of unprotected wood or metal cabinet.

Preparing the Location for 36", five Element Cook-Top



Work top:

The work top must have a minimum thickness of 1". It must be level and sealed along the wall to protect against spilled liquid.

Cabinets:

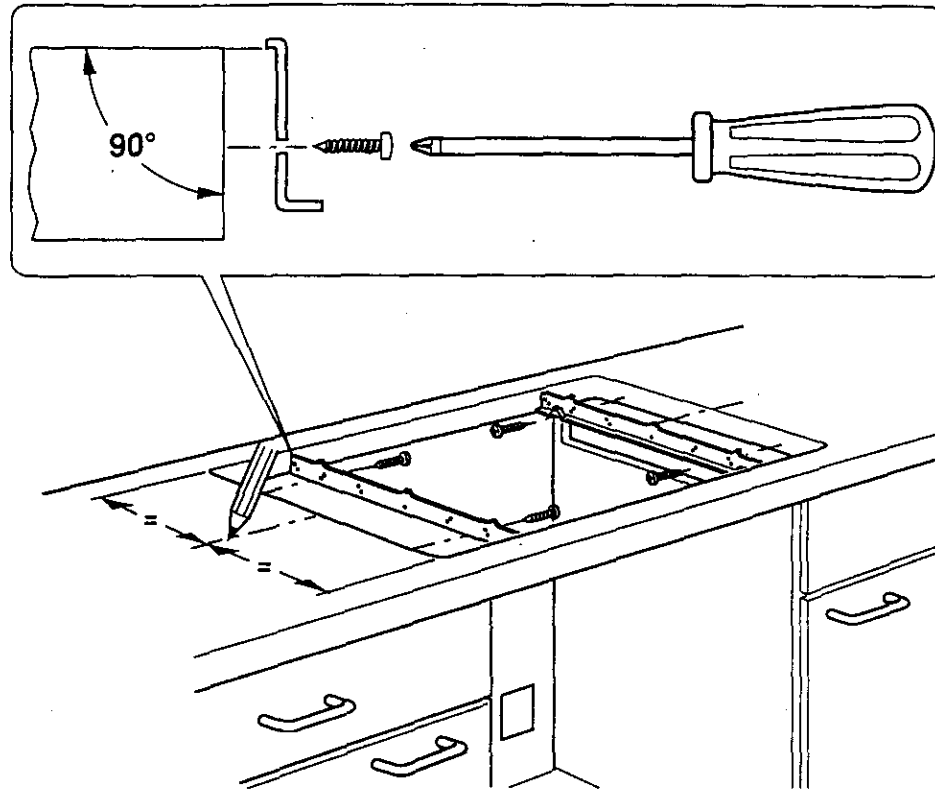
Cabinets must resist temperatures of up to 212°F (100°). This applies in particular for veneers, edges, plastic surfaces, glue and paint.

- Note: 24" min. clearance if bottom of wood or metal cabinet is protected by not less than 1/4" flame retardant millborad covered with not less than No. 28 MSG sheet steel, 0.015" stainless steel, or 0.024" aluminum or 0.020" copper.

30" min. clearance between top of cooking platform and bottom of unprotected wood or metal cabinet.

Attaching Fastening Rails

used for both NKT 72 and NKT 92 series



To attach the fastening rails:

1. Mark the center as shown in drawing.
2. Align rails using notch.
3. Secure the rails tightly using screws.

Note: a. The top flange of rail must sit tightly against the counter top.

- b. If counter top is tiled, the lower screws holes in the rails should be used.

SPECIAL NOTE:

Use plugs or sleeves for screws or glue rails in place, using a temperature resistant two component adhesive which is suitable for bonding metal to stone, when installation is in granite or marble counter top.

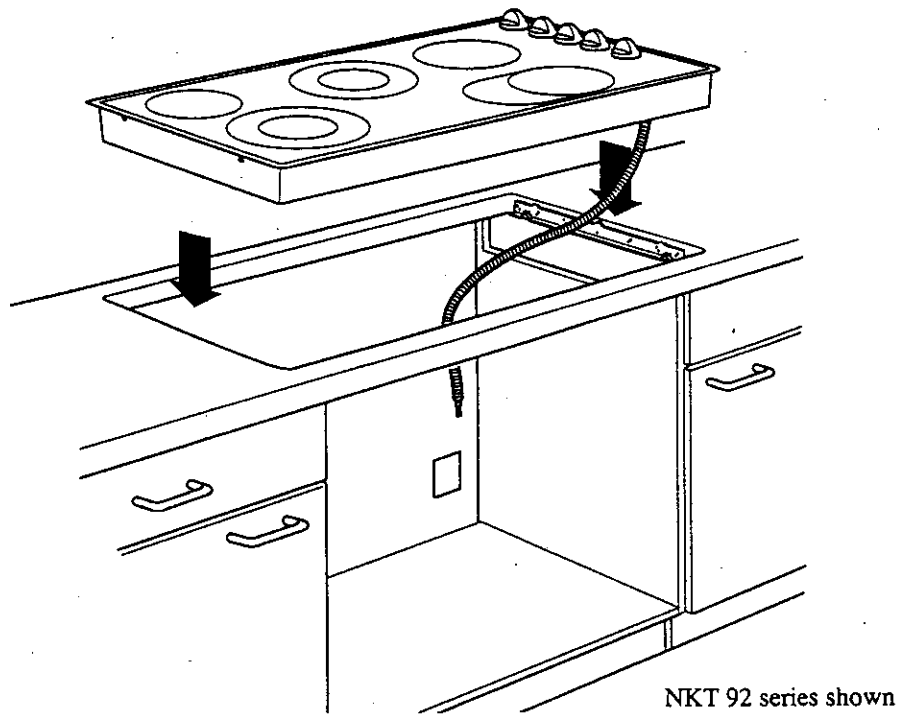
Important:

- Do all counter top preparation before installing the cook-top. Be sure to clean area after cutting and before installing cook-top. Chips, and other debris from cutting of the counter may impair the function of electrical components.
- Seal the cut surfaces with silicone rubber, heat resistant enamel or casting resin, to seal the surface against moisture.

Placing the Cook-Top

1. Thread the cable through the cutout opening.
2. Gently place the cook-top into the cutout, taking care to assure that cable does not become pinched between the cook-top and the counter cutout, and press in place so that cook-top interlocks with rails.

Note: If installing on a tiled counter top, seal the tile joints with silicone rubber.



SPECIAL NOTE:

Do not install the cooktop over a refrigerator, dishwasher or washing machine.

Electrical Supply

Before installing the cook-top have a qualified electrician verify that your home is provided with adequate electrical service and that the addition of the cook-top will not overload the branch circuit on which it is to be installed. A separate three-wire or four-wire single phase, 240 or 208 Volt, 60 Hz, 40 Amp. branch circuit is required.

For hook-up of the cook-top you will need to have an approved junction box installed where it will be easily reached through the front of the cabinet where the cook-top will be located. The cook-top has 3 feet of conduit. DO NOT shorten the flexible conduit.

WARNING

ELECTRICAL SHOCK HAZARD

- The electrical power to the cook-top branch circuit must be shut off while line connections are being made.
- TO avoid risk of electrical shock, DO NOT install cook-top if cooking surface is broken.
- Electrical ground is required on this appliance. The free end of the green and yellow striped wire (the ground wire) must be connected to a suitable ground. This wire must remain grounded to the cook-top.
- If cold water pipe is interrupted by plastic, non-metallic gaskets, union connections or other insulating materials, DO NOT use for grounding.
- DO NOT ground to a gas pipe.
- Do not have a fuse in the NEUTRAL or GROUNDING circuit. A fuse in the NEUTRAL or GROUNDING circuit could result in an electrical shock.
- Check with a qualified electrician if you are in doubt as to whether the appliance is properly grounded.

Failure to follow these instructions could result in serious injury or death.

WIRING REQUIREMENTS

When making the wire connections, use the entire length of the conduit provided (3 feet). The conduit must not be cut.

Before making connections make sure the power is off and read and observe the following:

1. A separate three-wire or four-wire, single phase, 240 or 208 Volt, 60 Hz, 40 Amp. branch circuit is required for the cook-top.
2. The cook-top must be connected with COPPER WIRE ONLY.
3. **In the United States:**

Wiring must conform to the National Electrical Code, ANSI/NFPA No. 70 latest edition. You can obtain a copy of the National Electrical Code by writing:

National Fire Protection Association
Batterymarch Park
Quincy, MA 02269

In Canada:

Wiring must conform to Canadian Electrical Code C22.1-latest edition. You can obtain copies of the Canadian Electrical Code by writing:

Canadian Standards Association
178 Rexdale Boulevard
Rexdale (Toronto), Ontario, Canada
M9W 1R3

4. Wire size (COPPER WIRE ONLY) and connections must be suitable for the rating of the appliance (40 amps.) per National Electrical Code requirements. The flexible armored cable extending from the cook-top should be connected directly to the junction box.
5. The junction box should be located so as to allow as much slack as possible between the junction box and the cook-top so the cook-top can be moved if servicing is ever required.
6. A U.L. listed conduit connector must be provided at each end of the power supply cable.

Electrical Connections

This appliance is manufactured with a green and yellow striped GROUND wire connected to the cook-top chassis. After making sure that the power has been turned off connect the flexible conduit from the cook-top to the junction box using a U.L. listed conduit connector, see figures A and B. Figures A and B and the instructions provided below present the most common way of connecting the cook-tops. Your local codes and ordinances, of course, take precedence to these instructions. Complete electrical connections according to local codes and ordinances.

3-wire branch circuit

Refer to Figure A, where local codes allow the connection of GROUND wire to the branch circuit

NEUTRAL (grey or white wire):

- If local codes permit, connect the green and yellow striped GROUND wire from the cook-top to the branch circuit NEUTRAL wire (grey or white color wire).
- Connect the red and black leads from the cook-top to the corresponding leads in the junction box.

4-wire branch circuit

Refer to Figure B:

- Connect the green and yellow striped GROUND wire from the cook-top to the GROUND wire in the junction box (bare or green color wire).
- Connect the red and black leads from the cook-top to the corresponding leads in the junction box.
- Place a twist-on connector on the end of the NEUTRAL (grey or white) wire.

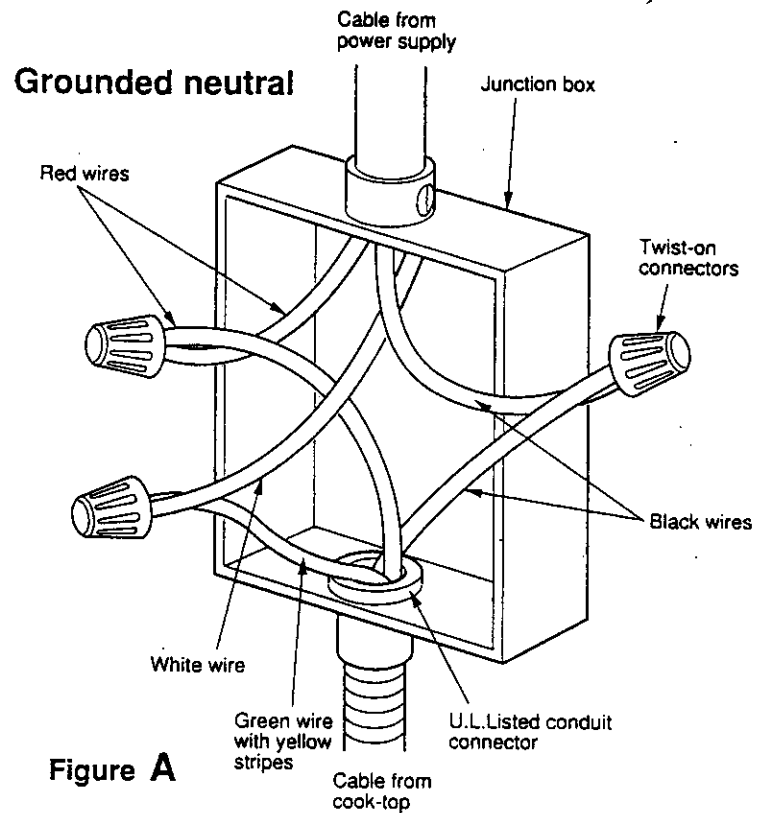


Figure A

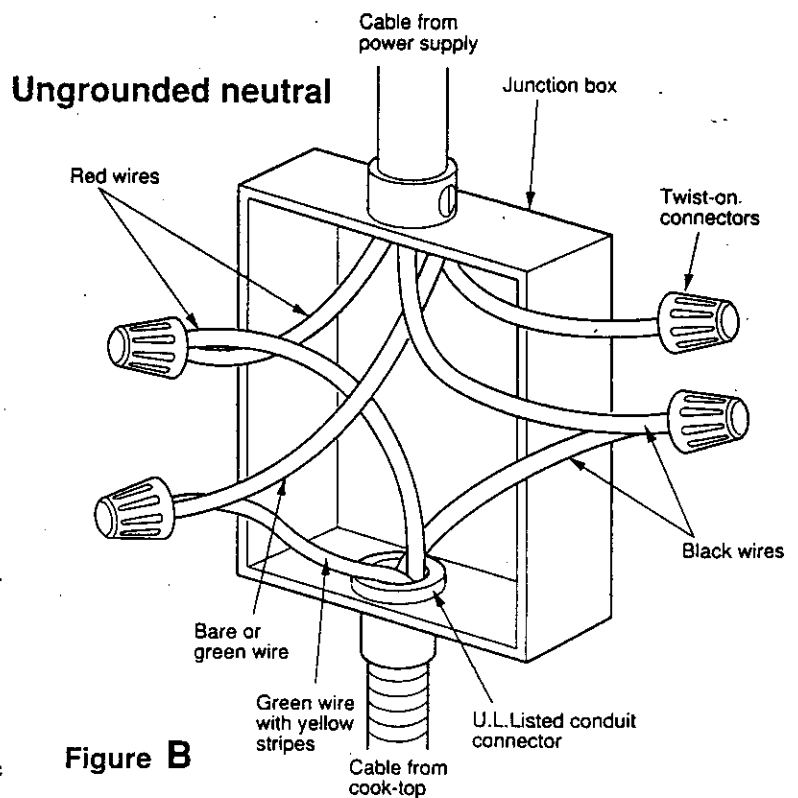


Figure B

Final Check List

To prevent improper connection leading to damage of electrical components and so voiding the warranty, the following steps must be performed:

1. Check the electrical requirements and make sure you have the correct electrical supply and that the cook-top is properly grounded.
2. Make sure all control knobs are in the off position.
3. Turn on the power supply to the cook-top.
4. Check power at junction box wires using a volt meter having a range of 0-250 VAC. The voltage reading between the black and red wires (Line to Line) should be 220 to 240 volt when connected to 240 volt supply or 190 volt to 208 volt when connected to 208 volt supply.
5. Depress and rotate each control knob to the number "9" position. Observe indicator lights to assure they are working.
Note: The residual heat indicators must be heated to temperature before they glow.
6. If the cook-top is operating properly rotate each control knob to its off position and turn off the power supply to the cook-top.
7. Place cover on the junction box and make sure cover is securely fastened and turn on the power to the cook-top
8. If there is going to be some time before the owner uses the cook-top. It is recommended that, after waiting for the cook-top to cool, that a sheet of packing be placed over the cook-top to protect the surface from damage prior to use by the owner.
9. Leave these INSTALLATION instructions as well as the OPERATING Manual with the owner.



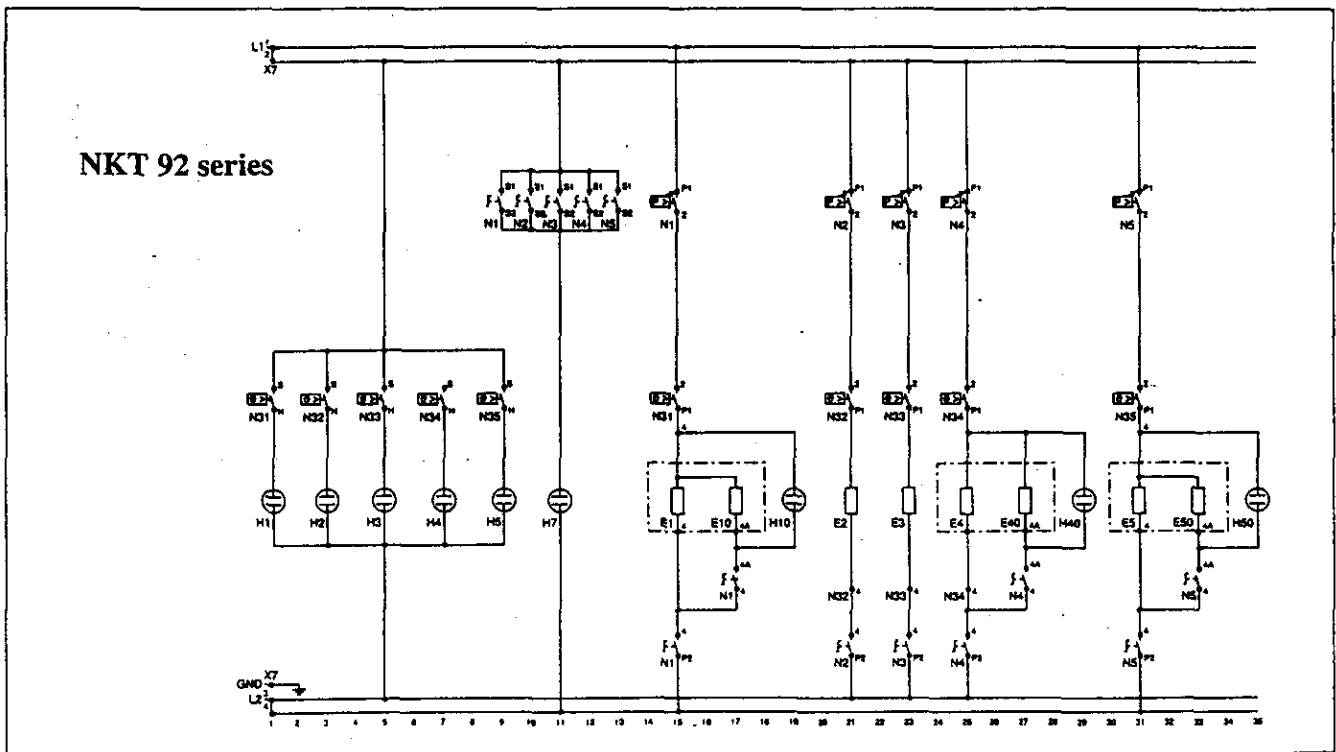
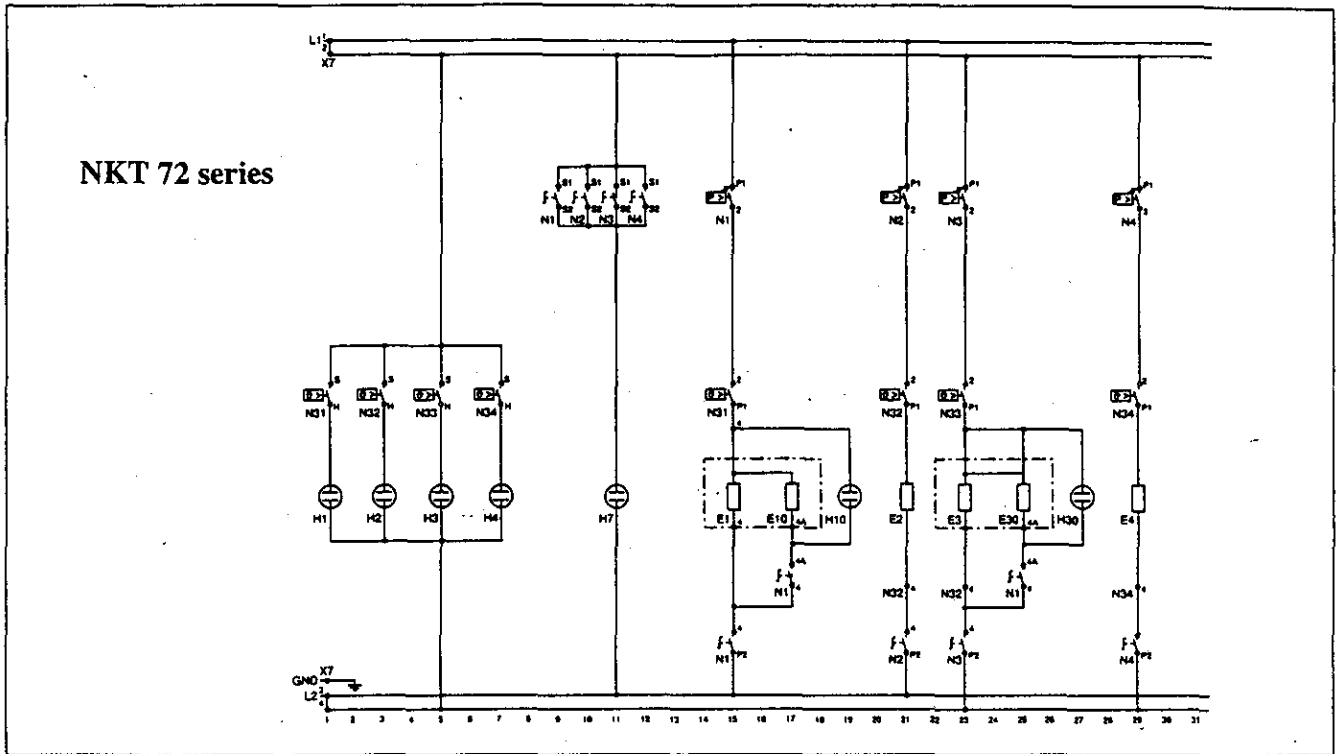
WARNING

Personal Injury Hazard

Do Not touch cooktop surface. Areas near elements may be hot.

Touching a heated cooking surface could result in a serious burn.

Schematic Wiring Diagrams



Free Manuals Download Website

<http://myh66.com>

<http://usermanuals.us>

<http://www.somanuals.com>

<http://www.4manuals.cc>

<http://www.manual-lib.com>

<http://www.404manual.com>

<http://www.luxmanual.com>

<http://aubethermostatmanual.com>

Golf course search by state

<http://golfingnear.com>

Email search by domain

<http://emailbydomain.com>

Auto manuals search

<http://auto.somanuals.com>

TV manuals search

<http://tv.somanuals.com>