



# Universal Monitor Mounts

UMM-LW-20B | UMM-LW-30B



**BOSCH**

**en** Mounting Guide

## Table of Contents

---

### **1 Unpacking 1**

---

### **2 Universal Monitor Mount Models 1**

- 2.1 UMM-LW-20B Fixed Wall Mount 2
    - 2.1.1 Parts List 4
    - 2.1.2 Installing the UMM-LW-20B Fixed Wall Mount 5
  - 2.2 UMM-LW-30B Tilt/Swivel Wall Mount 9
    - 2.2.1 Parts List 11
    - 2.2.2 Installing the UMM-LW-30B Tilt/Swivel Wall Mount 12
- 

### **3 Dimensional Drawings 16**

- 3.1 UMM-LW-20B Fixed Wall Mount 16
  - 3.2 UMM-LW-30B Tilt/Swivel Wall Mount 17
  - 3.3 UMM Series Component Dimensions 18
-

## 1 Unpacking

This equipment should be unpacked and handled with care. If an item appears to have been damaged in shipment, notify the shipper. Verify that all parts shown in the Parts List are included. If any items are missing, notify your Bosch Security Systems Sales or Customer Service Representative.

The original packing carton is the safest container in which to transport the unit. Save it for possible future use.

## 2 Universal Monitor Mount Models

The Bosch series of Universal Monitor Mounts (UMM) are designed to mount any VESA®-compliant monitor to a wall. The two types of mounts offered in the series of Universal Monitor Mounts (UMM) are the UMM-LW-20B and the UMM-LW-30B.

## 2.1 UMM-LW-20B Fixed Wall Mount

The UMM-LW-20B is a fixed wall mount that is designed for use with any Bosch LCD flat-screen monitor. The mount moves the monitor 1.5 cm (0.59 in.) off of the wall.



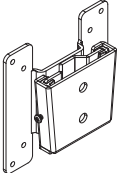
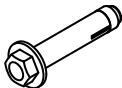

**Figure 2.1** UMM-LW-20B Fixed Wall Mount

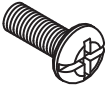
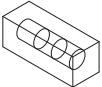
Maximum Weight Capacity:	12 kg (26.5 lbs)
Monitor Mounting Holes:	VESA 75 (75 mm) and VESA 100 (100 mm)
Material:	Steel
Color:	Black
Swivel Adjustment:	360°
Recommended Mounting Surface:	Solid concrete with a recommended strength of 3600 psi or 25 Mpa. Hollow cinder block. Minimum 2-in. x 4-in. wood stud with maximum 0.5-in. thick wallboard. 3/4-in. construction grade plywood.

**Table 2.1** UMM-LW-20B Specifications

## 2.1.1 Parts List

The following table lists the components for the mount:

UMM-LW-20B		
Qty	Description	Illustration
1	VESA mounting plate (A) and wall bracket (B) (see <i>Figure 3.1</i> on page 16 for a dimensional drawing)	
2	1/4 x 2.0 in. Wedge anchors (C) (see <i>Figure 3.3</i> on page 18 for a dimensional drawing)	
2	1/2 x 2.0 in. Wood screws (D) (see <i>Figure 3.3</i> on page 18 for a dimensional drawing)	

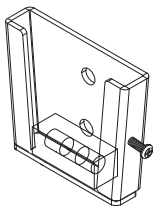
<b>UMM-LW-20B</b>		
4	M4 x 10 mm screws (E) (see <i>Figure 3.4</i> on page 19 for a dimensional drawing)	
1	Level (F)	

### 2.1.2 Installing the UMM-LW-20B Fixed Wall Mount

To install the wall mount:

1. Disassemble the mounting plate (A) from the wall bracket by removing the lock screw from the wall bracket (B). Retain the lock screw for later use.
2. Determine the location on the wall that you will attach the wall bracket. Use *Table 2.1*, on page 3, for recommended mounting surfaces.

3. Place the wall bracket (B) against the wall, as illustrated below, and use the level (F) to ensure that the bracket is level.

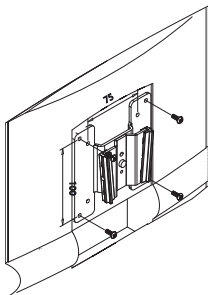


**Figure 2.2** Wall bracket with level

4. Use the wall bracket as a template to mark the mounting holes on the wall.
5. Attach the wall bracket (B) to the wall.
  - a. Use the two (2) wedge anchors (C) to attach the wall bracket to concrete or to a cinder block.
  - b. Use the two (2) wood screws (D) to attach the wall bracket to a stud behind wallboard or to construction-grade plywood.

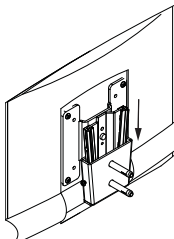


6. Attach the VESA mounting plate (A) to the back of the flat-panel LCD manual using the four (4) M4 x 10 mm screws (E).



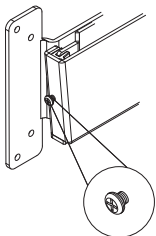
**Figure 2.3** Attach the VESA monitor plate

7. Carefully slide the mounting plate into the slots of the wall bracket.



**Figure 2.4** Attach monitor plate to wall bracket

8. Tighten the lock screw, located on the right side of the wall bracket, using a Phillips head screw driver.



**Figure 2.5** Lock screw on the wall bracket

## 2.2 UMM-LW-30B Tilt/Swivel Wall Mount

The UMM-LW-30B is a tilt/swivel wall mount that is designed for use with any Bosch LCD flat-screen monitor. This mount allows you to swivel the mount 360 degrees to position the monitor in either landscape or portrait view. The mount also allows you to pan and tilt the monitor 140 ( $\pm 70$ ) degrees for the best viewing angle.



**Figure 2.6** UMM-LW-30B Tilt/Swivel Wall Mount

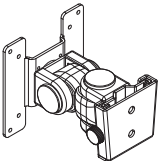
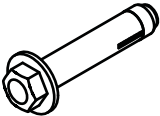

Maximum Weight Capacity:	12 kg (26.5 lbs)
Monitor Mounting Holes:	VESA 75 (75 mm) and VESA 100 (100 mm)
Material:	Steel
Color:	Black
Swivel Adjustment:	360°
Pan Range:	140° ( $\pm 70^\circ$ )
Tilt Range:	140° ( $\pm 70^\circ$ )
Recommended Mounting Surface:	Minimum 2-in. x 4-in. wood stud with maximum 0.5-in. thick wallboard. Minimum 2-in. x 4-in. wood stud with maximum 0.5-in. thick plywood. Solid concrete with a recommended strength of 3600 psi or 25 Mpa.

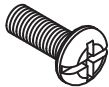
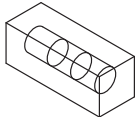
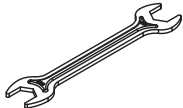
**Table 2.2** UMM-LW-30B Specifications

**WARNING!** Do not install the UMM-LW-30B wall bracket into mortar joints or non-filled cinder block walls.

## 2.2.1 Parts List

The following table lists the components for the mount:

UMM-LW-30B		
Qty	Description	Illustration
1	VESA mounting plate (A) and wall bracket (B) (see <i>Figure 3.2</i> on page 17 for a dimensional drawing)	
2	1/4 x 2.0 in. Wedge anchors (C) (see <i>Figure 3.3</i> on page 18 for a dimensional drawing)	
2	1/2 x 2.0 in. Wood screws (D) (see <i>Figure 3.3</i> on page 18 for a dimensional drawing)	

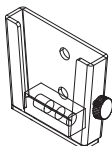
<b>UMM-LW-30B</b>		
4	M4 x 10 mm screws (E) (see <i>Figure 3.4</i> on page 19 for a dimensional drawing)	
1	Level (F)	
1	Wrench (G)	

## 2.2.2 Installing the UMM-LW-30B Tilt/Swivel Wall Mount

To install the wall mount:

1. Disassemble the VESA mounting plate (A) from the wall bracket (B) by removing the thumb screw on the wall bracket. Retain the thumb screw for later use.
2. Determine the location on the wall that you will attach the wall bracket (B). Use *Table 2.2*, on page 10, for recommended mounting surfaces.

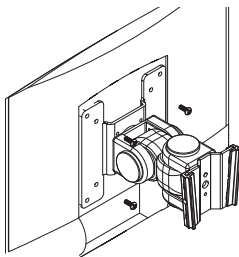
3. Place the wall bracket (B) against the wall, as illustrated below, and use the level (F) to ensure that the bracket is level.



**Figure 2.7** Wall bracket with level

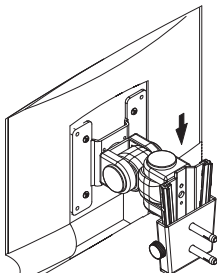
4. Use the wall bracket as a template to mark the mounting holes on the wall.
5. Attach the wall bracket (B) to the wall.
  - a. Use the two (2) wedge anchors (C) to attach the wall bracket to concrete.
  - b. Use the two (2) wood screws (D) to attach the wall bracket to a stud behind wallboard or behind construction-grade plywood.
6. Align the back of the monitor to the correct hole pattern on the VESA mounting plate.

7. Attach the VESA mounting plate (A) to the back of the flat-panel LCD manual using the four (4) M4 x 10 mm screws (E).



**Figure 2.8** Attach the VESA mounting plate

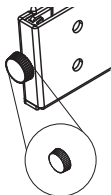
8. Carefully slide the mounting plate into the slots of the wall bracket.



**Figure 2.9** Attach monitor plate to wall bracket

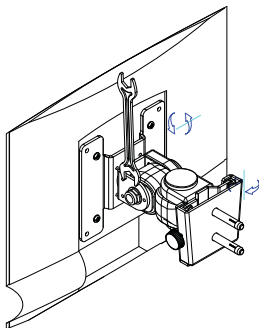


9. Tighten the thumb screw, located on the right side of the wall bracket.



**Figure 2.10** Thumb screw on the wall bracket

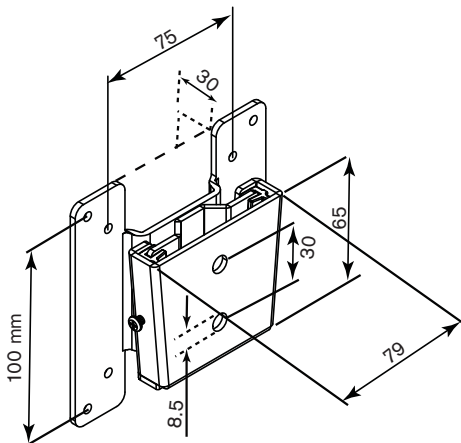
10. Tilt and swivel the mount to achieve the optimum viewing angle.  
11. Use the wrench (G) to tighten the nut, located on the left side of the mount.



**Figure 2.11** Tighten nut to lock mount position

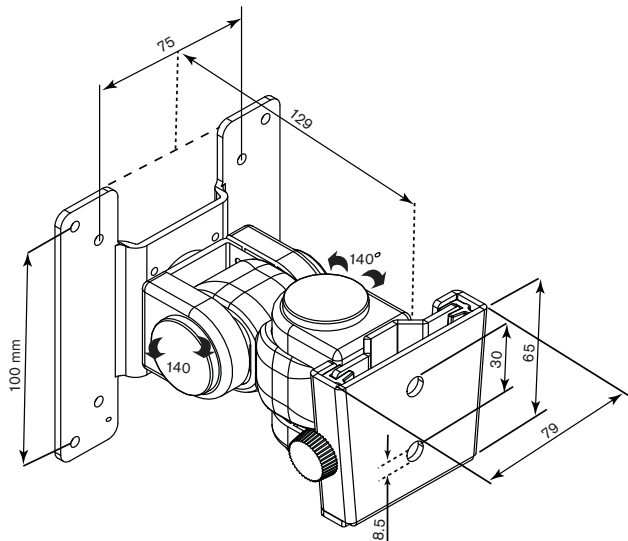
### 3 Dimensional Drawings

#### 3.1 UMM-LW-20B Fixed Wall Mount



**Figure 3.1** UMM-LW-20B Dimensional Drawing

### 3.2 UMM-LW-30B Tilt/Swivel Wall Mount

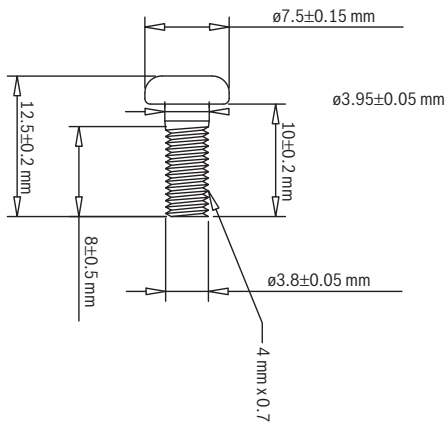


**Figure 3.2** UMM-LW-30B Dimensional Drawing

### 3.3 UMM Series Component Dimensions



**Figure 3.3** Wedge Anchor and Wood Screw Dimensions



**Figure 3.4** M4x10 mm Screw Dimensions







**Bosch Security Systems, Inc.**

850 Greenfield Road

Lancaster, PA 17601

USA

Telephone +1 888 289-0096

Fax +1 717 735 6560

**[www.boschsecuritysystems.us](http://www.boschsecuritysystems.us)**

© Bosch Security Systems, Inc. 2008; F.01U.115.026 | 3.0 | 2008.12



## Free Manuals Download Website

<http://myh66.com>

<http://usermanuals.us>

<http://www.somanuals.com>

<http://www.4manuals.cc>

<http://www.manual-lib.com>

<http://www.404manual.com>

<http://www.luxmanual.com>

<http://aubethermostatmanual.com>

Golf course search by state

<http://golfingnear.com>

Email search by domain

<http://emailbydomain.com>

Auto manuals search

<http://auto.somanuals.com>

TV manuals search

<http://tv.somanuals.com>