

# VIRTUALLY INVISIBLE<sup>®</sup> 191 SPEAKERS

Installation Guide

Installationsanleitung

Guía de instalación

Notice d'installation

Gebruikershandleiding



# SAFETY INFORMATION

## Important words of caution

Please read this owner's guide completely before you start. Then carefully consider your experience using the tools and taking the precautions referred to here. If you have doubts about doing this installation, you should contact either the dealer you purchased the product from, an electrician, or a professional audio/video installer. You can describe the job and request a cost estimate before committing to installation service.

**⚠ WARNING:** Installation shall be in accordance with the applicable section of the National Electrical Code, ANSI/NFPA 70, and/or the National Fire Alarm Code, ANSI/NFPA 72, as applicable. The wiring method and compartment shall be such as not to interfere with the operation of the speaker.

**⚠ CAUTION:** Consult local building codes before you get started with this installation.

**⚠ CAUTION:** This product is not intended for use in Air-Handling Plenum Spaces.

**⚠ CAUTION:** Failure to follow the instructions in this owner's guide voids all warranties on your speakers.

### Use these instructions with wood frame or similar construction only

Each speaker requires 8<sup>1</sup>/<sub>16</sub> in. (20.5 cm) of horizontal space, and 14 in. (35.6 cm) of vertical space inside the wall or ceiling, plus a minimum of 4<sup>1</sup>/<sub>8</sub> in. (10.5 cm) of depth from the face of wallboard that is a maximum of <sup>3</sup>/<sub>4</sub> in. (1.9 cm) thick.

Bose recommends installing these speakers only in wood frame or similar construction where there is enough space between studs, as is found in 2 x 4 or 2 x 6 wall/ceiling construction. The instructions in this guide are specific to that type of installation only.

**🎵 Note:** These speakers are not designed for installation in walls or ceilings of masonry.

## Important Safety Instructions

1. **Read these instructions** - for all components before using this product.
2. **Keep these instructions** - for future reference.
3. **Heed all warnings** - on the product and in the owner's guide.
4. **Follow all instructions.**
5. **Do not block any ventilation openings, install in accordance with the manufacturer's instructions.**
6. **Only use attachments/accessories specified by the manufacturer.**

Bose® Virtually Invisible® 191 Loudspeakers comply with the following specifications:

**CE** This product conforms to the EMC Directive 89/336/EEC and to the Low Voltage Directive 73/23/EEC. The complete Declaration of Conformity can be found on <[www.bose.com](http://www.bose.com)>.

## For your records

Serial numbers are located on the center rear of each of the Virtually Invisible® 191 speakers.

Serial numbers: \_\_\_\_\_ and \_\_\_\_\_

Dealer name: \_\_\_\_\_

Dealer phone: \_\_\_\_\_ Purchase date: \_\_\_\_\_

We suggest you keep your sales receipt and warranty card together with this owner's guide.

<b>INTRODUCTION</b>	<b>4</b>
Before you begin...	4
What makes this speaker better also makes it different	4
<b>PREPARATION</b>	<b>5</b>
Unpacking	5
Other equipment you will need	5
Deciding on speaker placement	6
Three tips for determining speaker placement	6
Consider which shape you prefer for your speakers	7
Considering your wall type and the approach it requires	7
For placement in walls	7
For placement in ceilings	8
<b>STEPS TO INSTALLING</b>	<b>9</b>
Before you make any holes	9
Drill a pilot hole for testing the wall space	9
Using the template	9
Drilling the pilot hole	10
Testing the space behind the hole	11
Passing the pilot hole test	13
Repairing a pilot hole	13
Prepare the wall for inserting the speaker	13
Measure and mark the hole to be cut	13
Cutting the speaker hole	14
Reorienting or changing speaker frames	15
Reorienting the rectangular frame logo	15
Installing round speaker frames	15
Insert and wire the speaker	15
Insert the speaker into the opening	16
Make the speaker connections	17
Test the speaker now	17
Position the speaker all the way into the hole	17
Secure the speaker to the wall	18
Attaching rectangular grille frames	19
Attaching round grilles	19
<b>REFERENCE</b>	<b>20</b>
Painting the speakers	20
Painting the grille	20
Painting the frame	21
Help for the beginning installer	21
Optional items that will assist you:	21
Accessories that can help	22
Using speaker cord	22
Preparing the speaker cord	22
Before the wallboard goes up	22
Installing in a pre-wired room	23
Where the walls are finished	23
What to do when the room is not pre-wired	24
Installing in an exterior wall	26
Use special care in cutting through plaster and lath	26
Special considerations in cold climate regions	26
Troubleshooting	27
Customer service	27
Warranty period	27
Accessories	28
Technical information	28

# INTRODUCTION

## Before you begin...

**CAUTION:** Please be sure to read this guide carefully before you do any cutting. There are many factors to consider before proceeding with this type of installation.

Thank you for choosing to install Bose® Virtually Invisible® 191 speakers. Innovative engineering and advanced design enable these speakers to deliver Bose quality performance for big impact in spite of their small size.

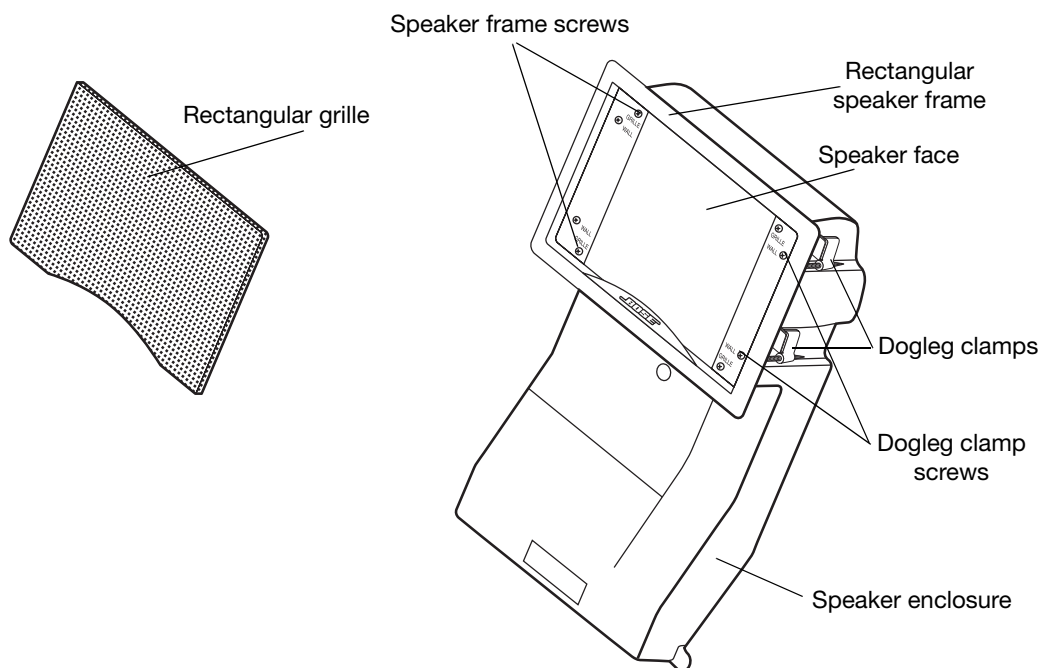
Virtually Invisible® 191 speakers feature an Articulated Array® speaker configuration that delivers the type of clear, lifelike sound and even coverage known as Bose Stereo Everywhere® speaker performance.

## What makes this speaker better also makes it different

When installed, Virtually Invisible® 191 speakers take up very little wall space. What isn't apparent is their advanced speaker enclosure design, shown in Figure 1. It ensures predictably fine performance wherever the speakers are installed, regardless of the size and shape of the wall space. It also helps prevent the speaker sound from invading other rooms, a common problem with installed speakers of more conventional design.

**Figure 1**

Speaker enclosure with the rectangular frame attached



## Unpacking

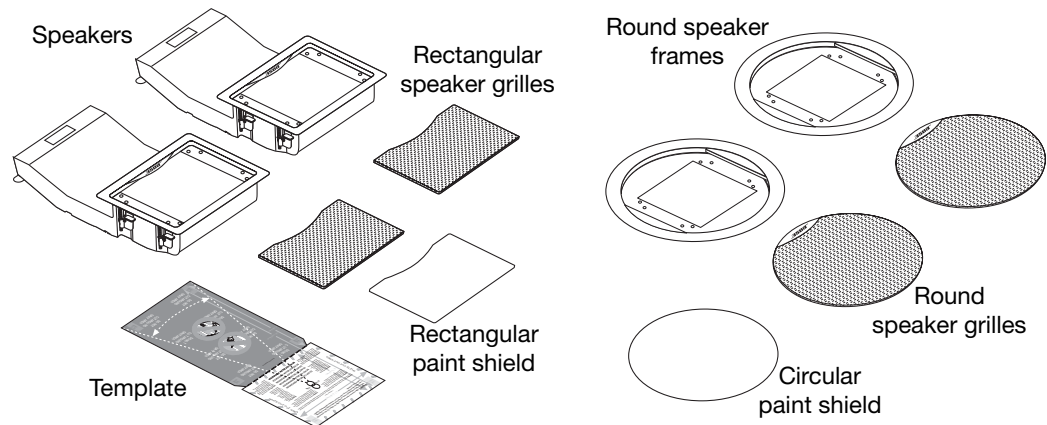
Carefully unpack the speakers. Check to be sure the carton includes all the parts shown in Figure 2. If any part of the speaker pair appears damaged, do not use them. Notify Bose or your authorized Bose dealer immediately. For Bose contact information, refer to the address list included in the carton.

**Note:** Now is a good time to find the serial numbers on the back of each speaker and copy the numbers onto your warranty card and in the "For your records" space on page 2.

**Figure 2**

Contents of the carton:

- 2 Speakers, rectangular frames attached
- 2 Rectangular speaker grilles
- 1 Rectangular paint shield
- 1 Template
- 2 Round speaker frames
- 2 Round speaker grilles
- 1 Circular paint shield



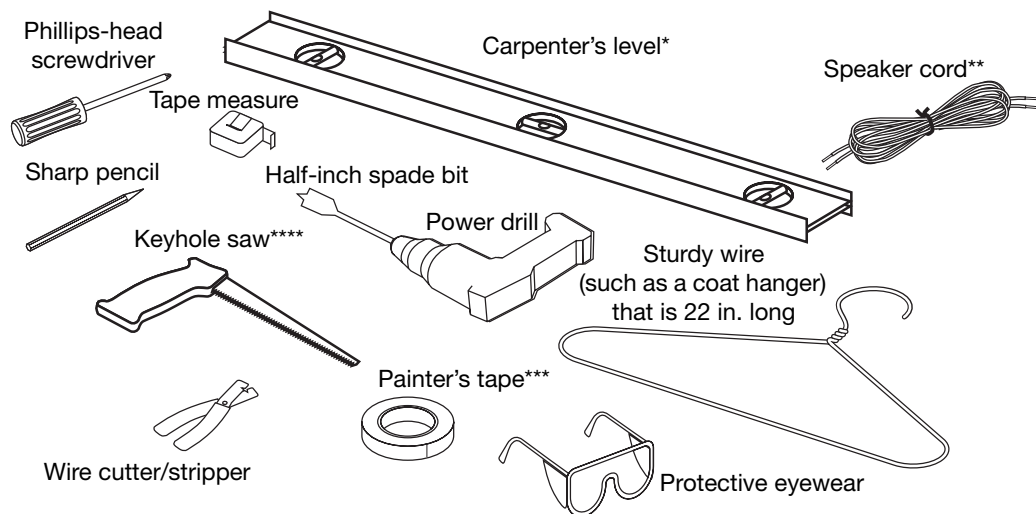
### Other equipment you will need

Hardware for securing the speaker to a wall or ceiling comes attached to the speaker, but you will need a variety of other equipment and tools to install the speakers (Figure 3).

Please refer to "Help for the beginning installer" on page 21 for additional information on working with tools, materials, and other do-it-yourself information.

**Figure 3**

Items required to install the speakers as instructed



\* Carpenter's level is suggested for use when installing speakers in a wall.

\*\* Speaker cord specifications are provided in the Reference section of this guide.

\*\*\* Painter's tape or other tape with light adhesive that will not damage paint or wallpaper.

\*\*\*\* Cutting tool – For drywall: a keyhole saw, drywall saw, rotary cutting tool, or jigsaw.

For plaster and lath: a saber saw or a rotary cutting tool.

## Deciding on speaker placement

The design of your new Virtually Invisible® 191 speakers makes them well-suited to either wall or ceiling installation. The location you choose will affect the procedure for installing them. Consider the options below, then follow the instructions that apply to your choices:

- How you will use the speakers?
  - for stereo sound at the front of a room or seating arrangement, or
  - as home theater front speakers or surround sound rear speakers
- What surface will you install them in?
  - an interior wall (abutting another room), or exterior wall (abutting outside), or ceiling
  - in finished (plaster and lath or wallboard), or new construction

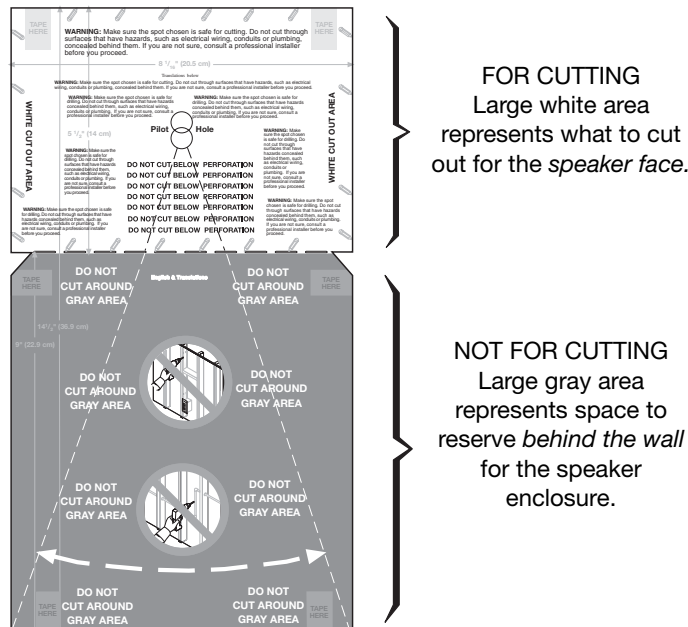
### Three tips for determining speaker placement

1. The template can be placed against a wall or ceiling to help determine the amount of space the speaker will need. Each speaker enclosure extends *into the wall or ceiling*, as shown in the gray DO NOT CUT area on the template (Figure 4). In a wall, the speaker may be inserted either up or down and will extend either above or below the grille.
2. Use of a stud finder can help ensure that the speaker hole is at least 4<sup>3</sup>/<sub>4</sub> in. (12 cm) from a stud or joist.
3. All electrical wiring, vents and plumbing pipes located inside the walls must be avoided (Figure 5 on page 7). Check with a trained professional to learn how to locate and avoid them.

🎵 **Note:** To prevent problems with condensation in cold climates where a humidifier is used, avoid inserting the speaker upside-down in an exterior wall.

**Figure 4**

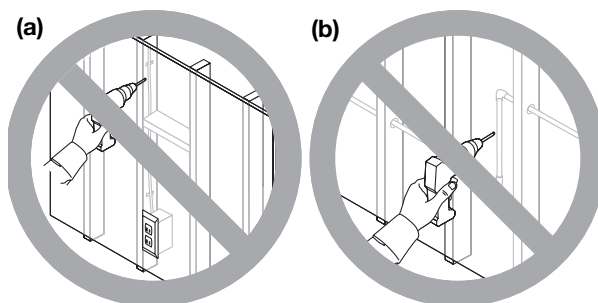
Template



**CAUTION:** When installed, the speaker enclosure cannot be seen behind the wall or ceiling. Do not attempt to nail, cut, or drill on that surface area. Puncturing the speaker enclosure with a tool will seriously damage the speaker.

**Figure 5**

Cautions against unseen danger, such as (a) electrical wires or (b) plumbing pipes, behind the wallboard



### Consider which shape you prefer for your speakers

You have a choice of a rectangular or round speaker face – the part that is visible when the speaker is installed. Consider which shape will work best in the location you choose for the speakers. Typically, the rectangular shape is best suited for walls and the round shape is best suited for ceilings.

It is easy to remove the rectangular frames and replace them with round frames. You can do it now or wait until you know for sure where each speaker will fit. **However, be sure to make that change before you insert either speaker into the wall or ceiling.** The lip of the speaker frame prevents the speaker from slipping behind the wall and out of reach. Do not remove the frame while the speaker is in the wall. See “Reorienting or changing speaker frames” on page 15 for instructions for removing and replacing speaker frames.

### Considering your wall type and the approach it requires

If you are installing the speakers in a pre-wired room of finished construction with 2 x 4 stud walls covered with wallboard, the placement of your speakers has already been determined. Please refer to “Steps to Installing” on page 9. These instructions cover installation of the speakers, with either a rectangular or round grille, in a wall or ceiling.

If your installation is different, use the information below to help determine where to place your speakers. As you decide where you want each speaker grille, use the guidelines below:

**CAUTION:** Do not install near any heat sources, such as halogen lamps, registers, stoves, or other apparatus (including amplifiers) that produce heat.

### For placement in walls

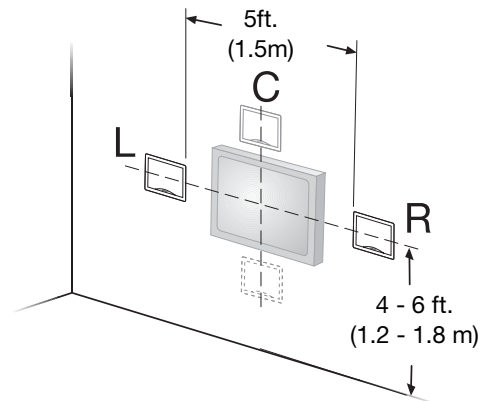
- The two speakers should be a minimum of 5 ft. (1.5 m) apart.
- For in-wall speakers providing stereo at the front of the room or home theater surround sound from the rear, install so each speaker grille is 4 to 6 ft. (1.2 to 1.8 m) from the floor for best performance.
- For in-wall home theater front speakers, install the pair horizontally aligned with the center of the video screen (Figure 6 on page 8).

## PREPARATION

- Place the in-wall center channel speaker above or below the video screen, centered between, but not on horizontal center with, the left and right front speakers. If a line were drawn between the left, center, and right front speakers a “V” shape would be created.
- The speakers should not be installed sideways in a wall; the enclosure should be either above or below the speaker face.

**Figure 6**

*Orienting wall speakers for front home theater use*

**For placement in ceilings**

When placing the speakers in the ceiling, please use the following guidelines. The direction the enclosures face will be determined by the spacing of the ceiling joists. The speaker enclosures should be parallel to the ceiling joists.

For best in-ceiling stereo performance:

- the speakers should each be placed an equal distance on either side of the primary listening area.

For best in-ceiling home theater performance:

- Place the right and left front speakers at equal distances to the right and left above the video screen.
- Place the center speaker above the center of the video screen.
- Place the surround speakers opposite the video screen wall, evenly spaced.



## Before you make any holes

Be sure you have read and understand the considerations provided in “Preparation” starting on page 5, so you can proceed with confidence.

**⚠ CAUTION:** *If you are unsure of your ability to complete this process, contact a professional installer.*

- ✓ Small check marks call your attention to the tools you’ll need for the next step.
- Tips** offer ideas to make the job go easier and help you avoid mistakes.

## Drill a pilot hole for testing the wall space

Before you make a large cut into the wallboard, check the space by probing behind the wall or ceiling through a small pilot hole. Time spent now can help ensure a successful installation.

**🎵 Note:** *If you are working in an exterior wall where there is insulation, it may be difficult to probe behind a pilot hole. You may prefer to eliminate this step and skip ahead to “Prepare the wall for inserting the speaker” on page 13. Do this only if you can be sure the insulation is malleable and that nothing else behind the wall will impede the installation.*

**⚠ WARNING:** *If you believe the insulation behind the wall may be composed of asbestos, do not drill or cut into that wall. Find a different location for the speakers instead.*

### Using the template

- ✓ You will need a **sharp pencil** for this step.

The template shows where to drill two 1/2 in. (13 mm) pilot holes before you make an opening large enough for the entire speaker. You can then test the space behind the hole to make sure there is enough room for the speaker and that there are no materials blocking the installation.

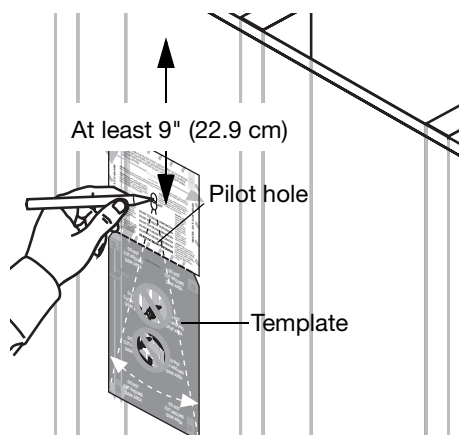
Notice the dotted lines extending at an angle from the pilot hole to the bottom corners of the DO NOT CUT area on the template. Use them as a guideline to be sure there is enough room below the pilot hole for the length and width of the speaker enclosure.

### To position the template

1. Select a spot on the wall or ceiling where you want the center of the speaker grille. Allow enough space for the speaker enclosure both above and below the pilot hole. You may need that second option if you find an impediment in the space below the hole.
2. Center the pilot-hole circles on the selected spot as you press the template to the wall.
3. Use a pencil to trace around the inside of the circles (Figure 7).
4. Remove the template.

**Figure 7**

*Preparing to cut a pilot hole*



## STEPS TO INSTALLING

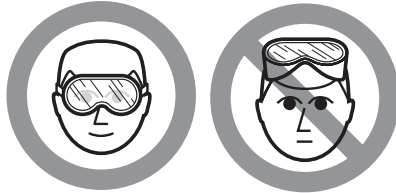
**Drilling the pilot hole**

✓ You will need a **half-inch spade bit and power drill, or a special rotary cutting tool** for this step.

⚠ **WARNING:** Use eye protection and be sure to observe all safety precautions while using a drill or cutting tool (Figure 8).

**Figure 8**

Caution against drilling without eye protection



⚠ **WARNING:** Make sure the spot chosen is safe for cutting. Do not cut through surfaces that may have hazards such as electrical wiring, conduits, or plumbing concealed behind them. Follow all other safety precautions.

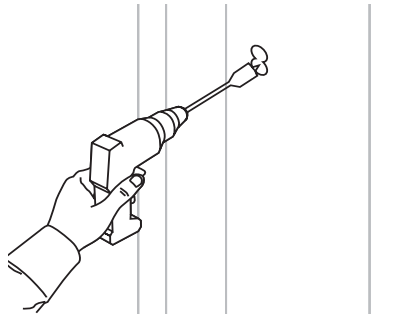
1. Center the tip of the drill bit in the top circle you have drawn.
2. Drill completely through the wallboard to create a hole that you can probe behind.

🎵 **Note:** If you encounter insulation in the wall, it will be difficult, or impossible, to probe behind the pilot hole. If you are certain that your chosen location is free of hazards and impediments, you may choose to cut the hole for the speaker anyway, remove some of the malleable insulation, and proceed from there. Refer to "Prepare the wall for inserting the speaker" on page 13.

3. Drill the second hole just below the first one (Figure 9). This elongates the hole to allow for testing the space for the length of the speaker enclosure.

**Figure 9**

Using a spade bit with a power drill to create the pilot hole



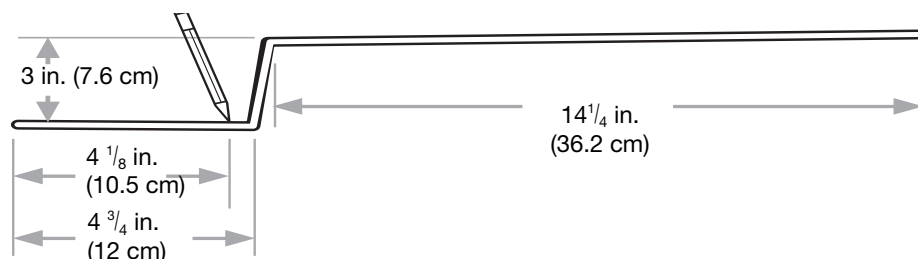
## Testing the space behind the hole

**Tip:** You need a **tape measure** and a **sturdy wire** (such as a straightened coat hanger) 22 in. (55.9 cm) in length for this step.

1. Bend the wire as shown in Figure 10.

**Figure 10**

A 22-inch (55.9 cm) length of sturdy wire bent in two places



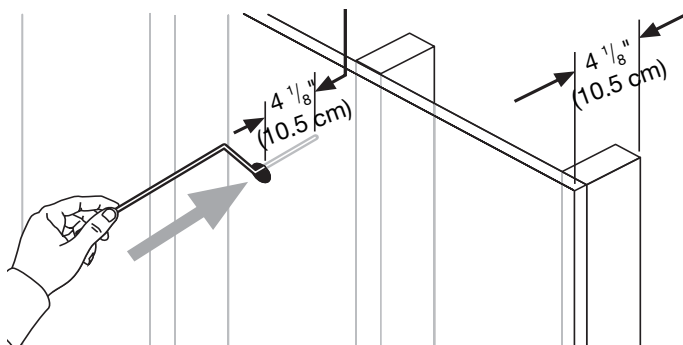
**Tip:** For greater accuracy, make the first bend a little long, measure again, and cut off the extra length at that end.

**WARNING:** If there is any possibility of electrical wiring in the space behind the wallboard, wrap the wire with electrical tape to prevent electric shock.

2. Make a mark  $4\frac{1}{8}$  in. (10.5 cm) from the short end as an indicator of the proper front-to-back depth of the hole.
3. Use the bent wire to test for enough depth, front-to-back: Insert the short end of the wire into the hole and straight back (Figure 11). Probe to make sure nothing is in the way to a depth of  $4\frac{1}{8}$  in. (10.5 cm). This indicates that the space behind the wallboard is deep enough for the front-to-back speaker dimension.

**Figure 11**

Checking the space for the depth of the speaker

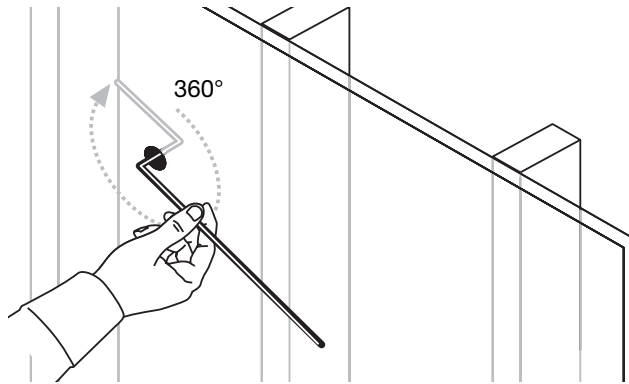


- If the wire goes in without a problem, proceed to step 4, below.
  - If you cannot insert the wire to the  $4\frac{1}{8}$ -inch (10.5 cm) mark, you need to drill a new pilot hole elsewhere. Then repeat step 3.
4. Use the wire again to test the width, side-to-side: With the short end still in the hole, reposition it, as shown in Figure 12 on page 12, and rotate it  $360^\circ$  around the hole. This indicates if the wall space is wide enough on each side of the hole for the side-to-side dimension of the speaker.

## STEPS TO INSTALLING

**Figure 12**

Checking the space for the width of the speaker



- If the wire goes around the 360° arc without a problem, proceed to step 5 below.
  - If you cannot rotate the wire all the way around up to the first bend, you need to drill a new pilot hole elsewhere. Then repeat the preceding steps 3 and 4.
5. Use the bent wire to check for enough length below the hole:  
Holding the short end of the wire, insert the long end into the wall or ceiling and straight down from the hole (Figure 13a).

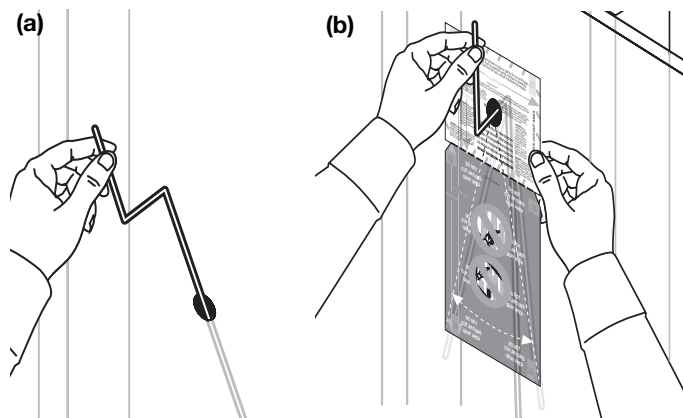
**Tip:** You may want to use the template for this step, as shown in Figure 13b.

- With the long end of the wire still in the hole, sweep it from side to side in a curve as shown on the template. This indicates if the wall or ceiling space is long enough and wide enough at the far end.

**Tip:** When testing for length, move the wire near the wall or ceiling, then farther back from it (as in Figure 13a, below).

**Figure 13**

Inserting the long end of the wire (a) and sweeping from side to side to check the length (b)



- If the wire goes in and sweeps from side to side at the far end without a problem, proceed to the next major step: “Prepare the wall for inserting the speaker” on page 13.
- If you find an impediment below the pilot hole, and you are working in an interior wall, insert the wire upward. If there are no impediments above the pilot hole, you can install the speaker upside-down. If you are working in an exterior wall, installing the speaker upside-down is not recommended. In this case, if you find an impediment you need to drill a new pilot hole elsewhere. Then repeat the preceding steps 3, 4, and 5.

### **Passing the pilot hole test**

If you have successfully determined that this location will work for one speaker, test the wall or ceiling for the second speaker before making any larger holes. Refer to “Drill a pilot hole for testing the wall space” on page 9 and repeat those steps.

If the first speaker location is fine, but the second is not, you may want to relocate both speakers.

### **Repairing a pilot hole**

To patch a pilot hole, fill it with spackle. Let the spackle dry, then add more until the hole is slightly overfilled. When it is thoroughly dry, sand the area to make it flush with the wall.

## **Prepare the wall for inserting the speaker**

Use care in the steps that follow to ensure satisfaction with the end result.

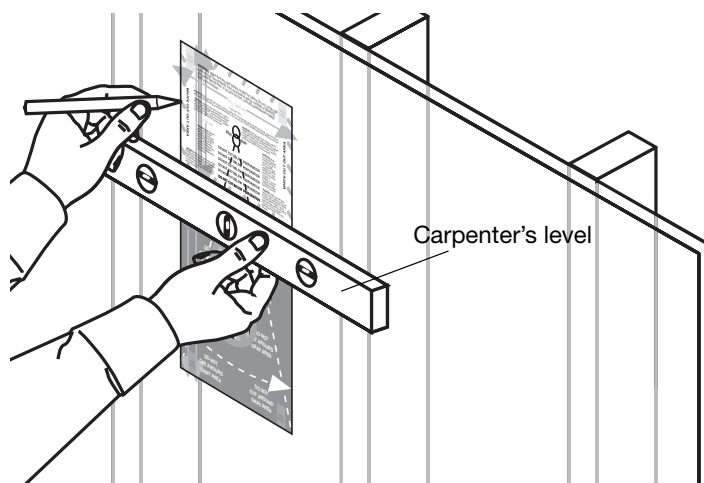
- ⚠ **CAUTION:** Now is a good time to reconsider your comfort level with this job. If you have doubts about cutting into or running cord behind the wall, it is best to stop here. Contact a professional installer, describe the job, and request a cost estimate before engaging the installer's services.
- ⚠ **WARNING:** If you believe insulation in a wall may contain asbestos, do not cut into the wall. Find a different location for installing the speakers instead.

### **Measure and mark the hole to be cut**

- ✓ You need a **carpenter's level**, a **sharp pencil**, and **optional tape** with the template to complete this step.
  1. Position the template carefully over the pilot hole where you want to install one speaker.
  2. Make sure the template is level (Figure 14).

**Figure 14**

Making sure the template is straight



3. Tape or hold the template firmly in place as you trace around the sides and upper edge of the **WHITE CUT-OUT AREA** portion.

## STEPS TO INSTALLING

4. Make a dotted line, using the slotted holes along the bottom of the WHITE CUT-OUT AREA portion, for the bottom edge of the hole.
5. Remove the template.

**Tip:** If necessary, use tape to hold the template temporarily in place (see *TAPE HERE* on the template). Then run your pencil along the entire template edge, except where there is tape.

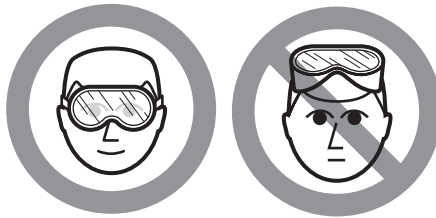
### Cutting the speaker hole

- ✓ You need a **small saw or specialized cutting tool (for example, a keyhole or drywall saw)** for this step of the installation.

▲ **WARNING:** Use eye protection (Figure 15) and be sure to observe all safety precautions while using the saw or cutting tool.

#### Figure 15

Caution against drilling without eye protection



1. It is best to drill holes *inside* each corner of the rectangular outline you have drawn, before you begin cutting. Insert the blade into the pilot hole and cut down and at an angle until you reach one pencil line.

**Tip:** While it is important to cut carefully, remember that the speaker frame overlaps the wallboard by  $\frac{1}{4}$  inch (0.6 cm) when the speaker is in place. Minor cutting inaccuracies will be hidden behind that frame.

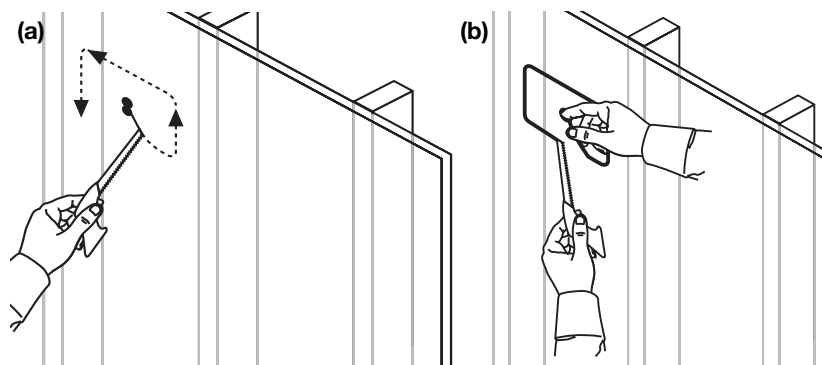
2. Cut around three of four sides of the drawn outline, *not* all the way around (Figure 16a).

▲ **WARNING:** Keep fingers away from the cutting blade.

3. Hook your finger into the pilot hole to keep the wallboard from falling behind the wall, and then make the final cut (Figure 16b).
4. Using your finger, pull out the piece of wallboard you have just cut.

#### Figure 16

Cutting along the outline (a), and using a finger to hold the cutout piece (b)



***If you encounter insulation behind the wall***

You can expect to find insulation in an exterior wall and sometimes in an interior wall. If the insulation found there is malleable, you can cut and remove some of it from both above and below the speaker hole to make room for the speaker. Other types of insulation will be difficult or possibly dangerous to handle.

**⚠ CAUTION:** Beware of hidden nails when reaching into the wall to remove insulation.

**⚠ CAUTION:** Wear gloves and protection for your mouth, nose, and eyes before handling insulation that contains fiberglass.

**Reorienting or changing speaker frames*****Reorienting the rectangular frame logo***

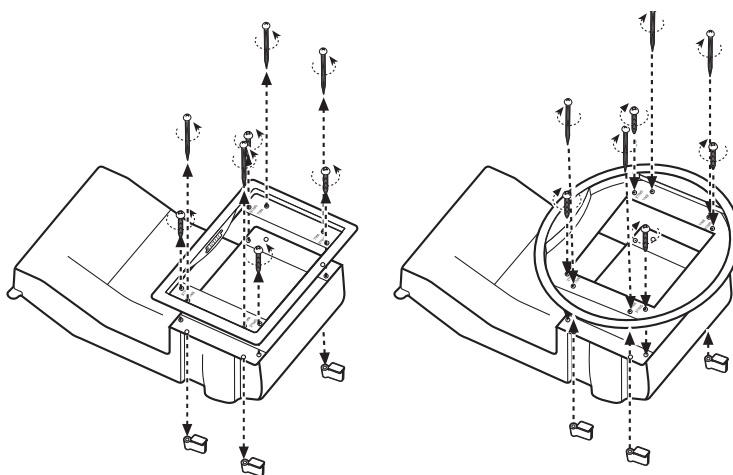
If you intend to mount a rectangular framed speaker upside-down due to a lack of space below the hole, you will need to reorient the logo before inserting it into the hole.

To do this, remove the frame from the speaker, rotate it 180°, and reattach the frame. There are four frame screws, labeled GRILLE, that hold the frame in place (See Figure 17 below and Figure 23 on page 18). Do not confuse them with the dogleg clamp screws that are labeled WALL.

Do not insert the speaker into the wall without a frame attached. The frame keeps the speaker from falling into the wall.

**Figure 17**

*Replacing the rectangular speaker frame with the round frame*

***Installing round speaker frames***

If you intend to use round speaker frames, install them now by removing the four screws that hold each rectangular frame and using them to secure the round frames (Figure 17). The logo is on the round speaker grille, which will be positioned later.

**Insert and wire the speaker**

✓ You need a **Phillips-head screwdriver** and **optional tape** to complete this step.

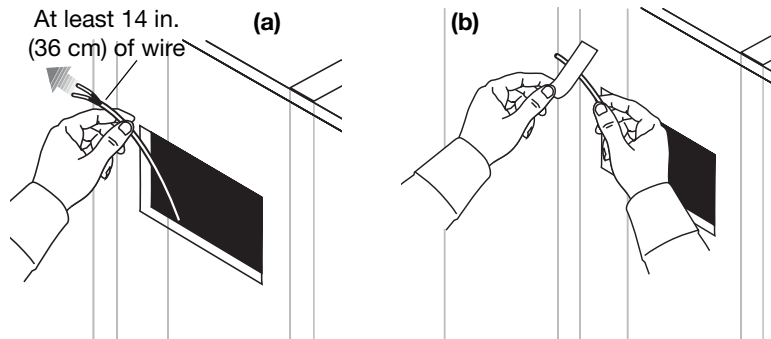
If your wall is not pre-wired, refer to “What to do when the room is not pre-wired” on page 24. When wire is within reach of the hole you have cut, follow the procedure below:

1. From inside the newly cut speaker hole, locate and pull out 14 in. (36 cm) or more of the pre-wired speaker cord (Figure 18 on page 16).

## STEPS TO INSTALLING

**Figure 18**

Pulling the wire up and out, to the left (a) and securing it with tape (b).



- Use tape to temporarily affix the loose end of the wire above and to the left of the hole (Figure 18b). This keeps the wire out of the way until you have the speaker partially inserted in the wall and are ready to make the connections.

**Insert the speaker into the opening**

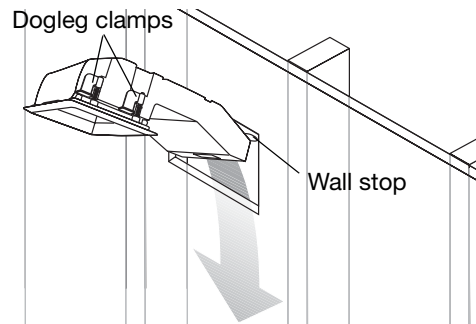
Before you follow the steps below, check to be sure none of the dogleg clamps (two on each side) are protruding from behind the frame of the speaker. If they are, press them back behind the frame so the speaker will fit into the hole.

**Tip:** Loosen the screw terminals on the upper left side of the speaker before inserting the speaker into the hole to save effort in making the connections.

- Use both hands to support the speaker and angle it slightly, so it is diagonal to the hole. This allows clearance for the wall stops.
- Insert the bottom of the enclosure through the hole and down part of the way – or up, depending on your clearance issues (Figure 19).

**Figure 19**

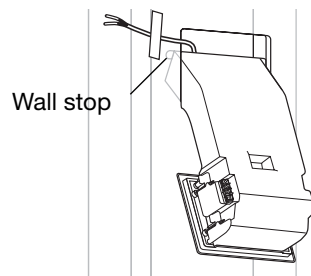
Partially inserting the rectangular-faced or round-faced speaker



- Leave the speaker in this partially inserted position, resting on the wall stops that prevent it from falling out (Figure 20). This allows ready access to the connection terminals on the upper left-hand side of the speaker.

**Figure 20**

Speaker held in place by wall stops





### Make the speaker connections

- ✓ You need a **Phillips-head screwdriver** for this step.

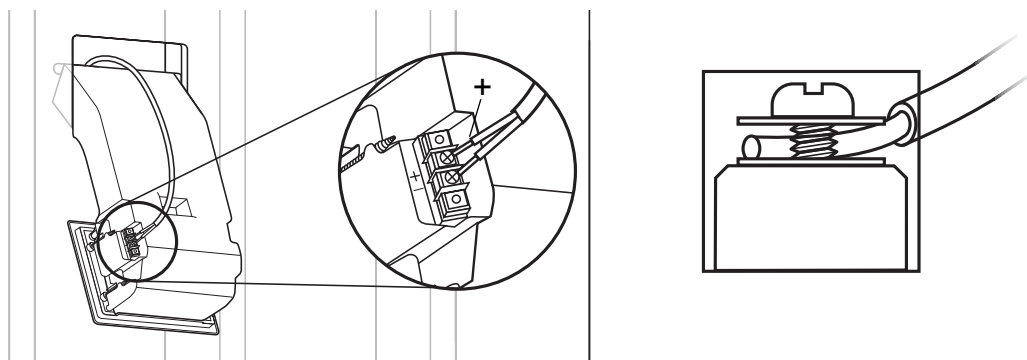
**Tip:** Pay attention to maintaining the proper polarity (+ to + and – to –) with these connections. An error here will adversely affect speaker performance. Also be sure to tighten each screw securely, but not enough to cause undesirable compression of the wire.

1. If you have not done so earlier, loosen the screws on both terminals.
2. Insert the end of the marked wire (+) into the positive (+) terminal and tighten the screw (Figure 21).
3. Insert the end of the unmarked wire (–) into the negative (–) terminal. Tighten the screw.

**⚠ CAUTION:** Do not allow exposed wires to brush against each other, which could damage your components. Trim excess wire and reinsert as necessary.

**Figure 21**

Attaching wires to the terminals



### Test the speaker now

With the connections still within reach, now is a good time to test the speaker to make sure it functions properly before you secure it in the wall.

It may be preferable to begin installing the second speaker now, before you test either one. When you get the second speaker connected, you can test both speakers, and make sure they are both functioning fine before proceeding with the installation steps for each one.

**⚠ CAUTION:** If you are testing the first speaker before the other one is connected, make sure the wire to that first speaker is the only one connected to the receiver/amplifier. This prevents unattached speaker wires from making contact, which can damage the receiver/amplifier.

#### To test the speaker:

1. Turn on the receiver/amplifier and play a piece of music that is familiar to you.
2. Listen for clarity and accuracy of the performance from one speaker.
  - If you hear a problem, refer to “Troubleshooting” on page 27.
  - If the performance sounds fine, test the other speaker, or continue with the installation steps for this speaker.

### Position the speaker all the way into the hole

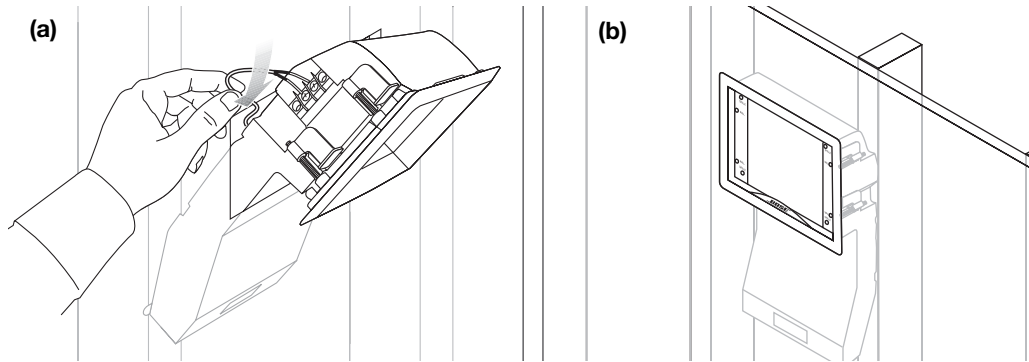
1. When the connections are completed, push any excess wire into the hole behind the speaker (Figure 22 on page 18).

## STEPS TO INSTALLING

2. Make sure the frame of the speaker is firmly screwed onto the face. The frame prevents the speaker from slipping all the way into the hole. Refer to Figure 17 on page 15 if you need to reverse the frame to orient the Bose logo on the rectangular speaker face.
3. Push the speaker into the hole until the face is straight and flush with the wall (Figure 22b).

**Figure 22**

Pushing excess wire behind the speaker (a) and Positioning the speaker all the way in the hole (b)

**Secure the speaker to the wall**

**⚠ CAUTION:** If you use a screw gun to tighten any screws, first select the gun's lowest torque setting (do not exceed 2-4 inch-pounds or 0.2-0.5 N-m of torque). If the screw does not seat properly, finish installing the screw at the next highest torque setting, or by hand.

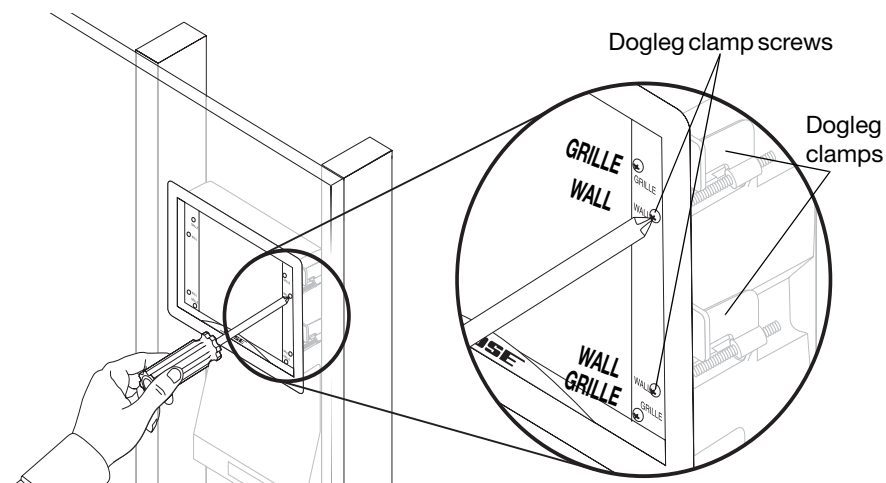
When the speaker is positioned inside the hole with the face straight and flat against the wall, you are ready to tighten the dogleg clamp screws, labeled WALL, along the sides of the frame. The dogleg screws exert pressure from inside to hold the speaker firmly against the wall. Do not confuse the dogleg screws with those labeled GRILLE, which hold the frame.

**⚠ CAUTION:** Although they should be thoroughly screwed down, be sure not to overtighten the dogleg screws. Too much compression can crush the wallboard, making it crumble. This creates uneven surface support and can leave gaps between the speaker face and the wall.

1. Slightly tighten the four dogleg clamp screws (Figure 23) until each one begins to grip. This is caused by the clamps that swing out and press against the back of the wallboard.
2. With your fingers grasping the frame of the speaker, rock it slightly back and forth into position. Check for even seating of the face before you tighten the screws any further, and adjust the speaker if it needs to be straightened.

**Figure 23**

Tightening the dogleg clamp screws



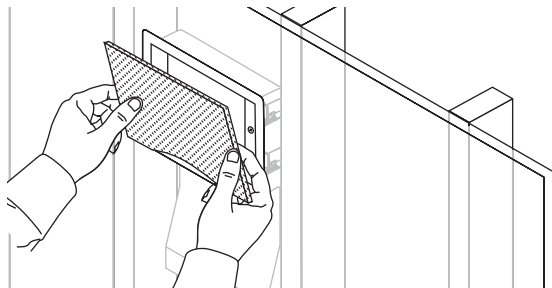
3. When the speaker is straight, tighten each screw.

### Attaching rectangular grille frames

1. Line up the curved edge of the grille with the curve over the Bose® logo and press that edge into the speaker frame first (Figure 24).
2. Press the top of the grille firmly into place until you feel some resistance. When the grille lines up flush with the frame of the speaker, it is seated properly.

**Figure 24**

Snapping the grille into place



### If the speaker looks crooked

When you step back from the wall, you may notice that the speaker is not straight. If so, it is easy to adjust the speaker slightly:

1. Remove the grille by inserting a thin-bladed tool between the speaker frame and the grille and carefully prying it out.
2. Slightly loosen each of the four dogleg clamp screws, labeled WALL.
3. Press on the sides of the speaker frame to shift it up or down into the proper position.
4. Stand back to make sure it is straight. Repeat step 3 if it is not.
5. Tighten all four dogleg clamp screws.
6. Reattach the grille to the front of the speaker.

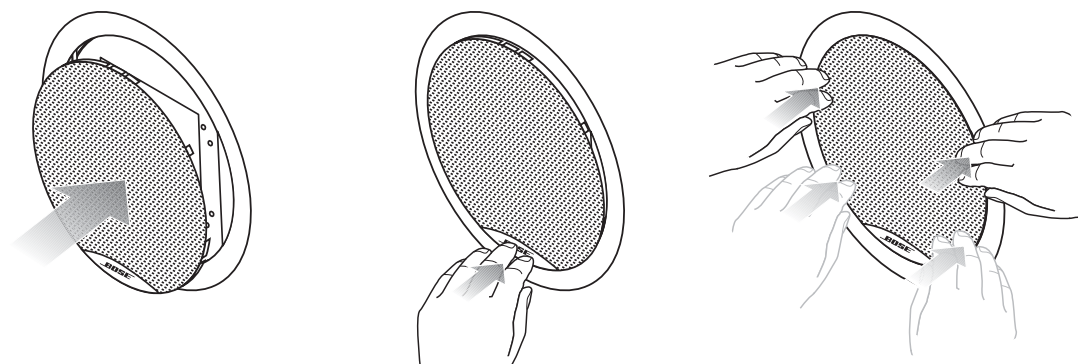
### Attaching round grilles

1. Line up the Bose logo in the desired position.
2. Tuck the Bose logo into the speaker frame first. See Figure 25.
3. Work your way to the top of the grille frame, using both hands to tuck the grille tabs into the frame. Be careful not to permanently bend the grille tabs.

♪ **Note:** When the grille is inserted into the frame, the logo can not be re-positioned. Take care to insure it is in the desired position before pressing the entire grille into the frame.

**Figure 25**

Attaching round grilles




## REFERENCE

### Painting the speakers

The grille and frame of your Virtually Invisible® 191 speakers can be painted before or after the speaker is installed. This is optional, however, and Bose cannot be responsible for the quality of adhesion or finish of non-factory applied paints.

There are different techniques for painting the grille and painting the frame. Be sure to use paint that is appropriate to the technique you choose.

 **WARNING:** Follow all recommended safety procedures for the chemicals involved. This includes the proper use of eye protection, ventilation systems, respirators or filter masks, and fire safety equipment if flammable solvents are used.

#### Painting the grille

It is important to prevent paint from clogging the grille perforations, which can adversely affect performance. You can use a dry brush technique or spray paint the grille. However, do not use a paint roller:

- Remove the grille from the speaker if it has been installed.
- Before you begin to paint, clean the grille to remove possible contaminants. Even fingerprints can prevent uniform coverage.
- Check to be sure the paint is distributed evenly and covers the grille thoroughly. If not, you may need to paint the inside of the grille to fix the problem.
- When it is dry, protect the painted grille with a clean cloth or tissue paper until you attach it to the speaker.

#### Using a dry brush technique

Unthinned latex paint is appropriate for this method. Be sure to put down enough paper to cover your work area and allow for repeatedly blotting the brush.

1. Dip the tip of a clean, dry brush in the paint.
2. Stroke across the paper to reduce the amount of paint on the brush. When you can see individual bristle marks, the brush is ready to use on the grille.
3. Stroke lightly back and forth on the front of the grille, in a horizontal direction, until you need more paint.

**Tip:** If paint clogs any of the grille perforations, try angling your stroke to unclog it, or blow gently on the clog.

4. Repeat the above steps until the outside of the grille is completely covered.
5. Turn the grille 180° and repaint the entire surface using back-and-forth strokes again.

#### Using a spray technique

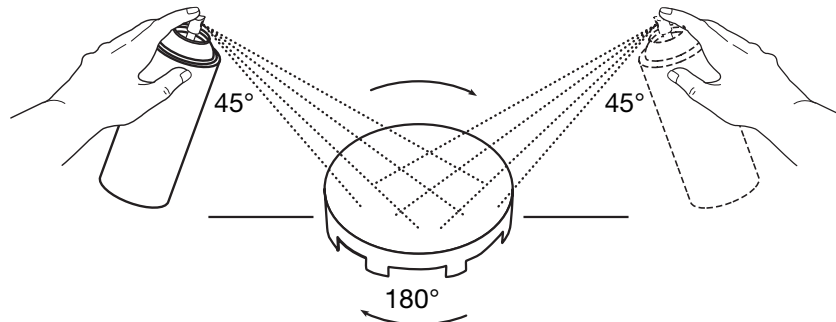
Latex or oil-based architectural paint requires thinning for use with a siphon-feed spray gun set for 30 psi (2.1 bar) and for application in a 3- to 5-inch (7.6-12.7 cm) fan pattern. The thinning formula depends on the type of paint you are using.

- Thin vinyl acrylic latex paint as follows:  
To 6 parts of paint, add 3 parts of water and mix thoroughly. Add 1 part of denatured ethyl alcohol (which breaks down paint particles so they do not clog the grille) and mix again.
- For use of architectural or automotive paints:  
This type of paint should be used by a professional with the right equipment and technique. This paint must also be thinned, using a solvent.
- Lacquer or enamel spray paint comes in an aerosol can and needs no further thinning.

1. To prevent dirt or dried paint particles from blowing back into the grille perforations, suspend the grille or place it on a wire screen.
2. Apply the paint to the grille surface at a 45° angle. Then rotate the grille by 180° and repaint it at 45°.

**Figure 26**

Angling and turning used to apply the paint twice



**Tip:** Piercing a perforation with a sharp implement to remove a clog can cosmetically damage the grille and is not recommended. If paint clogs any of the grille perforations, blow gently in that area to unclog it. If that does not work, immediately wash the grille with the appropriate solvent. Make sure the grille is thoroughly dry before repainting.

The paint may feel dry in a few minutes. However, if alcohol has been added, it may take several days to fully cure.

### **Painting the frame**

Before you begin, protect the speaker cones by inserting the paint shield that came in the carton. Then you can use the same conventional spray or roller equipment used to paint the wall or ceiling.

You can use either latex or oil-based paints, which adhere to the speaker frame. However, both can be easily scratched through careless handling.

Be careful so the paint does not puddle or run. You may want to use a brush for spreading paint where needed.

## **Help for the beginning installer**

This section provides information that may be helpful for the do-it-yourself installer.

### **Optional items that will assist you:**

- Clothing appropriate for the job
- Gloves and protection for your mouth, nose, and eyes
- A drop cloth or other material to protect the area from debris
- A wire snake for running speaker cord behind wallboard
- A sturdy stool or ladder for installing speakers above your head

### **Accessories that can help**

For installation in a drop ceiling (where tile is installed below the ceiling joists), Bose offers an optional Drop Ceiling Kit for two speakers. It protects the tile from bearing the weight of the speakers. Instructions are included with the kit.

For installation in new construction, Bose offers a Rough-in Kit for two speakers. It is designed for use after the studs are in place and before the wallboard is added to reserve a place for the speakers and indicate where the wallboard hole should be made. It also protects the wallboard by providing additional support for the dogleg clamps that secure the speaker to the wall. Instructions are included with the kit.

For more information or to order an accessory, contact your Bose dealer. Or, to contact Bose directly, refer to the address list included in the carton.

### **Using speaker cord**

Before you cut any cord, estimate how much will be needed by measuring the distance from the receiver/amplifier to where each speaker will be installed. Make some allowance if the cord must go around corners or through walls, and leave at least 14 in. (36 cm) of cord to pull from the wall for making the connections easily. Allow extra length if you are installing ceiling speakers, so that you can make connections while standing on the floor.

#### **Wire recommendations.**

Gauge	Maximum Length
18 AWG (0.82 mm <sup>2</sup> )	20 ft (6 m)
16 AWG (1.3 mm <sup>2</sup> )	30 ft (9 m)
14 AWG (2.1 mm <sup>2</sup> )	50 ft (15 m)

### **Preparing the speaker cord**

Speaker cord consists of two insulated wires. The insulation around one wire is marked (striped, collared, or ribbed) to identify it as positive. The other wire is negative.

 **Note:** It is sometimes difficult to distinguish wire markings. Inspect both wires carefully.

1. Strip approximately  $\frac{1}{2}$  inch (13 mm) of insulation from both wires. You will need a **wire cutter and wire stripper** for this work.
2. Twist the bare end of each wire so loose strands will not touch across terminals.

Be sure to connect each wire to the proper terminal, positive to positive (+) and negative to negative (-).

### **Before the wallboard goes up**

There are some standard guidelines for working in unfinished construction.

- Begin this work after the studs and joists are in and the electrical wiring is completed.
- Snap a chalk line across the face of the studs or the bottom of the joists and move backward as you drill, so you can keep the last hole drilled in your line of sight.

- Never run speaker cord and electrical cable through the same hole or into the same junction box.
- If a short section of the cord must run parallel to nearby electrical cable, keeping that run to the absolute minimum will result in less interference.
- Use metal conduit or shielded speaker cord if the cord must run next to electrical cable for 10 ft. (3 m) or more.
- Use cable clamps or large wire staples to fasten the cord to a joist or stud wherever the cord runs more than 4½ ft. (1.4 m) from a hole.
- Use protective guard strips, raceways, or conduits to protect the cord from being stepped on or compressed in an attic or crawl space.

### ***Installing in a pre-wired room***

An installation is simplest when the room has been pre-wired during construction. In that case, the builder will have left speaker cord within easy reach of the intended speaker positions. In the ideal situation, after cutting the speaker hole you can simply reach inside to locate the length of cord the builder has installed.

If you are not sure that you have a pre-wired room, or do not know where the wiring is located, check the architectural drawings of your room or call the builder.

**⚠ CAUTION:** *It is important to know where the pre-wired cord is to prevent damaging it while drilling or cutting into the wall.*

### ***Where the walls are finished***

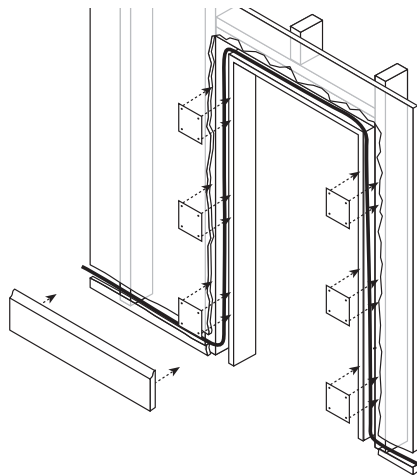
Here are some suggestions for how to make this job easier.

*Look for ways to conceal cord outside the walls (See Figure 27):*

- Along or behind baseboards
- Under carpets (using special flat speaker cord for under-the-rug speaker runs)
- Under doorjambs.

**Figure 27**

*Running cord behind baseboards and a doorjamb*



### **What to do when the room is not pre-wired**

In this case, you will need to run speaker cord from the receiver or amplifier through the wall to the area you have chosen for installing the speakers. You will need to mount an open-backed junction box in the wall near the receiver or amplifier (Figure 28).

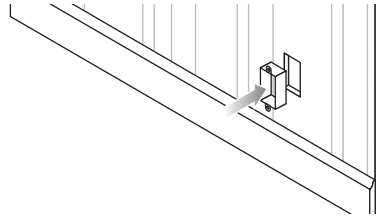
You also need to observe safe and practical standards:

**▲ WARNING:** Make sure the spot chosen is safe for drilling. Do not drill through surfaces that may have hazards, such as electrical wiring, conduits, or plumbing concealed behind them. Follow all other safety precautions.

**▲ WARNING:** Consult local building codes to inform yourself of the requirements in your area.

**Figure 28**

An open-backed junction box that allows cord to come through the wall near the receiver or amplifier



- Use a drill bit large enough for the cord you will pull through the holes.
- Use an auger bit, if possible, to make the work of drilling multiple holes less tiring.
- Do not drill through a load-bearing beam. Consult the building contractor if this is an issue.
- Keep cord 3 to 4 ft. (1 to 1.3 m) away from electrical cord, which can create a hum or buzz in the speakers. See Figure 29 on page 25.
- To avoid nails, drill holes in the center of each stud or joist.
- Use a nail plate to protect the cord if your only option is to notch a stud or joist.
- Line up holes as perfectly as possible to make pulling the cord through easier.
- Pull the cord so there are no sags but do not pull tight enough to create tension.

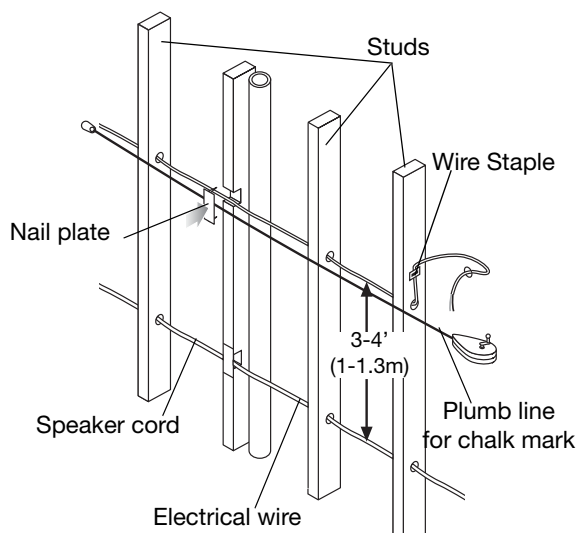
Find the easiest path for cord that must run behind the wallboard:

- Choose interior walls, which are less likely to have insulation packed behind the wallboard.
- Use an attic or basement run where possible, so you have easy access and can see where plumbing, electrical wires, and other impediments occur.
- In slab construction, consider using plenum-rated wire run through heating or air conditioning vents.



**Figure 29**

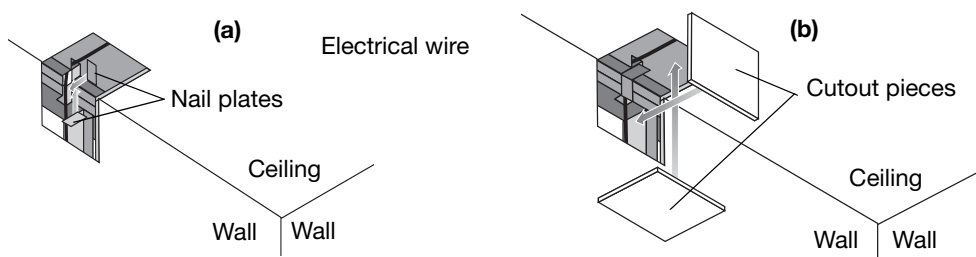
Techniques to use for running speaker cord through studs or joists



If you must route cord around a corner, you will need to cut out a rectangular piece of wallboard on either side of the joist at that corner. Use each regular-shaped cutout as the patch for the wall when you finish. By reaching through the cutout, you can notch the joist to make room for the cord and use nail plates to cover the cord in each notch (Figure 30).

**Figure 30**

Running cord around a corner with nail plates for protection (a) and cutout pieces as patches

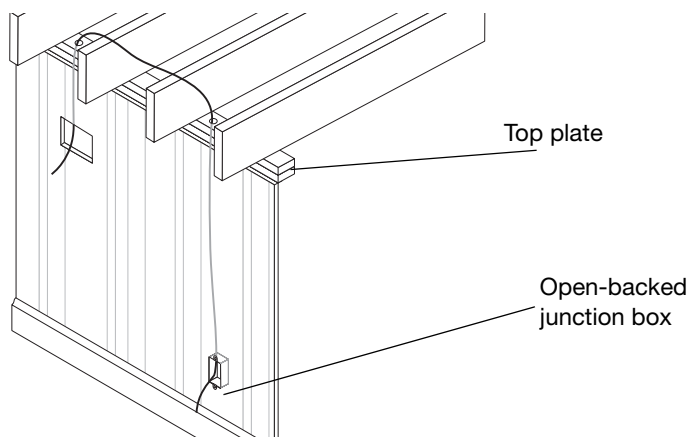


To patch the wall, reposition the cutout pieces and use joint tape and joint compound to hold them in place. When they are dry, sand and paint the area to match surrounding surfaces.

It is common to run cord from a speaker location in a wall or ceiling to the attic and through the wooden top plate that runs horizontally across the top of the vertical studs. You can then run the cord to the spot above the junction box near the receiver or amplifier. Drill through the top plate at that point and route the cord through the hole and down into the wall (Figure 31).


**Figure 31**

Running the cord up through the attic



### ***Installing in an exterior wall***

If you choose to install these speakers in an exterior wall (abutting the outside of your house), you may encounter insulation behind the wallboard. This can complicate the installation, requiring you to trim and push malleable insulation out of the way. You will need to wear eye protection and gloves for working with fiberglass insulation.

 **WARNING:** *If you believe the insulation inside a wall may be composed of asbestos, do not cut into the wall. Choose a different location for the speakers instead.*

Insulation will also impede your use of a pilot hole to test the size of the space behind the wallboard. Doing such a test is recommended to make sure the space is large enough before cutting a speaker-sized hole.

### ***Use special care in cutting through plaster and lath***

*For wall construction of plaster and lath, use special care to prevent plaster from cracking:*

- After you have drawn an outline of the hole to cut, tape around the outline and use a sharp blade to make shallow cuts where the hole will be.
- Then, within the outline only, chip the plaster away until you expose the lath underneath.

Finally, cut through the lath very carefully. Using an electric sabre saw can be quick but risky. We recommend using a hand saw and proceeding cautiously to avoid damaging the surrounding plaster.

### ***Special considerations in cold climate regions***

With exterior wall installations in regions where outdoor temperatures dip below freezing for days at a time, using a humidifier can cause condensation to form inside the speakers. This can be more of a problem if the speakers are mounted upside down.

If you must mount in an exterior wall:

- Avoid installing the speakers upside down.
- Leave some of the insulation between the speakers and the exterior wall.
- Refrain from setting the humidifier on high, especially when outside temperatures are below freezing.

## Troubleshooting

Neither speaker plays	<ul style="list-style-type: none"> <li>• Check the settings on your receiver/amplifier. Refer to the owner's guide that came with it for instruction on settings.</li> <li>• If your Virtually Invisible® 191 speakers are the second pair of speakers connected to your receiver/amplifier, make sure the connections have been made to the "B" terminals and that the "B" speakers are selected to play.</li> </ul>
The bass or treble is weak	<ul style="list-style-type: none"> <li>• Check the tonal balance setting on your receiver/amplifier.</li> <li>• Check for consistent polarity of the connections (+ to + and – to –) to the receiver/amplifier and to the speaker. Review "Make the speaker connections" on page 17.</li> </ul>
Only one speaker plays	<ul style="list-style-type: none"> <li>• Check the balance control on your receiver/amplifier and make sure it is centered.</li> <li>• Check the wires connected to the speaker that does not play. Make sure the wires are in good condition and are firmly connected. Review "Make the speaker connections" on page 17.</li> </ul>
Only one speaker still plays	<ul style="list-style-type: none"> <li>• Trace the cord from the speaker in question to the receiver/amplifier. Disconnect the cord from the receiver/amplifier channel and reconnect it to a different receiver/amplifier channel. <ul style="list-style-type: none"> <li>– If the performance is now fine, the problem lies in the original receiver/amplifier channel, the component source of the music, or the connections between the receiver/amplifier and the source. Check all of those to make sure they are performing properly. Reconnect the speaker to the correct channel of a functioning receiver/amplifier.</li> <li>– If the problem persists, its source is either the speaker wire or the speaker in question. Follow the next instruction.</li> </ul> </li> <li>• Disconnect the cord from the speaker in question and reconnect it to the second speaker. <ul style="list-style-type: none"> <li>– If the performance is now fine, the problem lies in the original speaker. Contact your authorized Bose® dealer, who will arrange for service. Or, to contact Bose directly, refer to the address list included in the carton.</li> <li>– If the problem persists, its source is the speaker wires. Follow the next instruction.</li> </ul> </li> <li>• Before you take steps to replace and re-run the speaker wire, recheck all of the connections. Then repeat the procedure for pinning down the problem source, above.</li> </ul>
Static or noise from one speaker	<ul style="list-style-type: none"> <li>• Check the connections at the speaker and at the receiver/amplifier. Make sure the wires are in good condition, are firmly connected, and no wires are touching across terminals. Also check the connections from the receiver/amplifier to the component source of the music. <ul style="list-style-type: none"> <li>– If the problem persists, follow the troubleshooting instructions for "Only one speaker still plays," above.</li> </ul> </li> </ul>

## Customer service

For additional help in solving problems, contact your Bose dealer. Or, to contact Bose® Customer Service, refer to the address list included in the carton.

## Warranty period

Bose Virtually Invisible® 191 speakers are covered by a limited 5-year transferable warranty. Details of coverage are on the warranty card that came with your speakers. Please fill out the information section, detach, and mail it to Bose.

## Accessories

- Drop Ceiling Kit for two speakers  
Protects the tile from bearing the weight of the speakers. Instructions included.
- Rough-in Kit for two speakers  
Reserves a place for the speakers after the studs are in place and before the wallboard is added, and indicates where the wallboard hole should be made. Instructions included.

For further information or to order accessories, contact your Bose dealer. Or, to call Bose directly, refer to the address list included in the carton.

## Technical information

### Features

- Virtually Invisible® and Articulated Array® speaker design
- Proprietary enclosure technology
- Stereo Everywhere® speaker performance
- Paintable grille
- Syncom® computer tested

### Compatibility

- Compatible with amplifiers or receivers rated 10-100W per channel/rated 4 to 8 ohms
- 50W IEC continuous power handling; rated 6 ohms

### Driver complement

- Two (2) 2 $\frac{1}{2}$ " (6.4 cm) full-range drivers per speaker

### Enclosure

- Ported and molded high-impact polystyrene
- White frame and grille

### Dimensions

- Each speaker:  
13 $\frac{3}{4}$ "H x 7 $\frac{7}{8}$ "W x 3 $\frac{7}{8}$ "D (34.9 cm H x 19.9 cm W x 9.8 cm D)
- Wall or ceiling surface area required for each:  
Rectangular-faced speaker – 8 $\frac{3}{4}$ "W x 6"H (20.5 cm x 14 cm)  
Round-faced speaker – 11 $\frac{1}{4}$ " diameter (26 cm)

### Weight

- 4.5 lb. (2.0 kg) each



# SICHERHEITSHINWEISE

## Wichtige Sicherheitshinweise

Lesen Sie diese Anleitung vollständig durch, bevor Sie mit den Arbeiten beginnen. Schätzen Sie Ihre Erfahrung im Umgang mit den Werkzeugen richtig ein, und beachten Sie die hier erwähnten Vorsichtsmaßnahmen. Wenn Sie sich nicht sicher sind, ob Sie die Installation durchführen können, wenden Sie sich an den Händler, bei dem Sie das Produkt gekauft haben, an einen Elektrotechniker oder an einen qualifizierten Fachbetrieb für Audio/Video-Installationen. Beschreiben Sie die durchzuführenden Arbeiten, und holen Sie einen Kostenvoranschlag ein, bevor Sie entsprechende Dienstleistungen in Auftrag geben.

**⚠️ WARNUNG:** Die Installation muss in Übereinstimmung mit den jeweils gültigen Regelungen des National Electrical Code, ANSI/NFPA 70, und/oder des National Fire Alarm Code, ANSI/NFPA 72, ausgeführt werden. Die Verkabelungsart und räumliche Abtrennung muss so erfolgen, dass der Betrieb des Lautsprechers nicht gestört wird.

**⚠️ ACHTUNG:** Informieren Sie sich über die örtlichen Bauvorschriften, bevor Sie mit der Installation beginnen.

**⚠️ ACHTUNG:** Dieses Produkt ist nicht für die Verwendung in Luftkammern gedacht.

**⚠️ ACHTUNG:** Wenn die Anweisungen in dieser Anleitung nicht befolgt werden, kann die Garantie der Lautsprecher verfallen.

### Die Anweisungen beziehen sich ausschließlich auf Fachwerks- oder ähnliche Konstruktionen.

Jeder Lautsprecher benötigt 20,5 cm horizontalen sowie 35,6 cm vertikalen Freiraum hinter der Wand oder Decke; von der Oberfläche der Wand (max. 1,9 cm dick) muss ein Freiraum von 10,5 cm Tiefe gewährleistet sein.

Bose empfiehlt, die Lautsprecher nur in Fachwerks- oder ähnlichen Konstruktionen zu installieren, bei denen genügend Freiraum zwischen den Balken vorhanden ist (z. B. in Wand- oder Deckenkonstruktion mit Balken-Normmaßen 38 x 89 mm oder 38 x 140 mm). Die Anweisungen in dieser Anleitung beziehen sich ausschließlich auf diese Art der Installation.

**🎵 Hinweis:** Die Lautsprecher sind nicht für die Installation in Mauerwerk oder gemauerten Decken vorgesehen.

## Wichtige Sicherheitshinweise

1. **Lesen Sie diese Anweisungen** – für alle Komponenten und vor dem Gebrauch dieses Produkts.
2. **Bewahren Sie diese Anweisungen auf** – zum späteren Nachschlagen.
3. **Beachten Sie alle Warnhinweise** – am Produkt und in dieser Bedienungsanleitung.
4. **Befolgen Sie alle Anweisungen.**
5. **Blockieren Sie keine Lüftungsöffnungen, und nehmen Sie die Installation nur nach den Anweisungen des Herstellers vor.**
6. **Verwenden Sie nur Zubehör-/Anbauteile, die vom Hersteller zugelassen sind.**

Bose® Virtually Invisible® 191 Lautsprecher erfüllt die folgenden Spezifikationen:

**CE** Dieses Produkt entspricht den Bestimmungen der EMV-Richtlinie 89/336/EWG und der Niederspannungs-Richtlinie 73/23/EWG. Die vollständige Konformitätserklärung ist einsehbar unter <www.bose.com>.

### Für Ihre Unterlagen

Die Seriennummern befinden sich mittig auf der Rückseite an jedem Virtually Invisible® 191 Lautsprecher.

Seriennummern: \_\_\_\_\_ und \_\_\_\_\_

Name des Fachhändlers: \_\_\_\_\_

Telefonnummer: \_\_\_\_\_ Kaufdatum: \_\_\_\_\_

Wir empfehlen Ihnen, die Kaufquittung und Garantiekarte zusammen mit dieser Bedienungsanleitung aufzubewahren.

<b>EINFÜHRUNG</b>	<b>4</b>
Vor dem Start	4
Verbesserung durch Veränderung	4
<b>VORBEREITUNG</b>	<b>5</b>
Auspacken	5
Weitere benötigte Materialien	5
Lautsprecher positionieren	6
Drei Tipps zur Lautsprecherpositionierung	6
Bevorzugte Lautsprecherform auswählen	7
Wandtyp ermitteln und Vorgehensweise festlegen	7
Platzierung in Wänden	7
Platzierung in Decken	8
<b>INSTALLATION</b>	<b>9</b>
Vor dem Bohren	9
Probebohrung zum Ermitteln des Freiraums	9
Schablone verwenden	9
Probebohrung setzen	10
Raum hinter der Bohrung prüfen	11
Nach erfolgreicher Probebohrung	13
Probebohrung verschließen	13
Wand für den Einbau der Lautsprecher vorbereiten	13
Öffnung ausmessen und markieren	13
Lautsprecheröffnung aussägen	14
Neuausrichten oder Ändern der Lautsprecherrahmen	15
Logo des rechteckigen Rahmens neu ausrichten	15
Runde Lautsprecherrahmen installieren	15
Lautsprecher einhängen und anschließen	15
Lautsprecher in die Öffnung einhängen	16
Lautsprecher anschließen	17
Lautsprecher prüfen	17
Lautsprecher ganz in die Öffnung einsetzen	17
Lautsprecher in der Wand sichern	18
Rechteckige Gitter befestigen	19
Runde Gitter befestigen	19
<b>REFERENZ</b>	<b>20</b>
Anstreichen der Lautsprecher	20
Gitter anstreichen	20
Rahmen anstreichen	21
Hilfe für die Installation	21
Zusätzliche Gegenstände, die Sie brauchen könnten:	21
Hilfreiches Zubehör	22
Lautsprecherkabel	22
Vorbereiten des Lautsprecherkabels	22
Vor der Montage der Gipskartonplatten	22
Installation in vorverkabeltem Raum	23
Bei bereits bestehenden Wänden	23
Vorgehen bei nicht vorverkabelten Räumen	24
Installation in Außenwänden	26
Vorsicht beim Sägen in Ständerwerk/Putz	26
Besondere Hinweise für Gegenden mit niedrigen Außentemperaturen	26
Fehlersuche	27
Kundendienst	28
Garantie	28
Zubehör	28
Technische Daten	28

# EINFÜHRUNG

## Vor dem Start

**ACHTUNG:** Lesen Sie diese Anleitung aufmerksam durch, bevor Sie Sägearbeiten ausführen. Bei dieser Art der Installation sind viele Faktoren zu berücksichtigen.

Vielen Dank, dass Sie sich für die Installation der Bose® Virtually Invisible® 191 Lautsprecher in Ihren Räumen entschieden haben. Dank innovativer Technik und fortschrittlicher Gestaltung bieten diese Lautsprecher trotz ihrer geringen Baugröße originalgetreue Wiedergabe in Bose-Qualität.

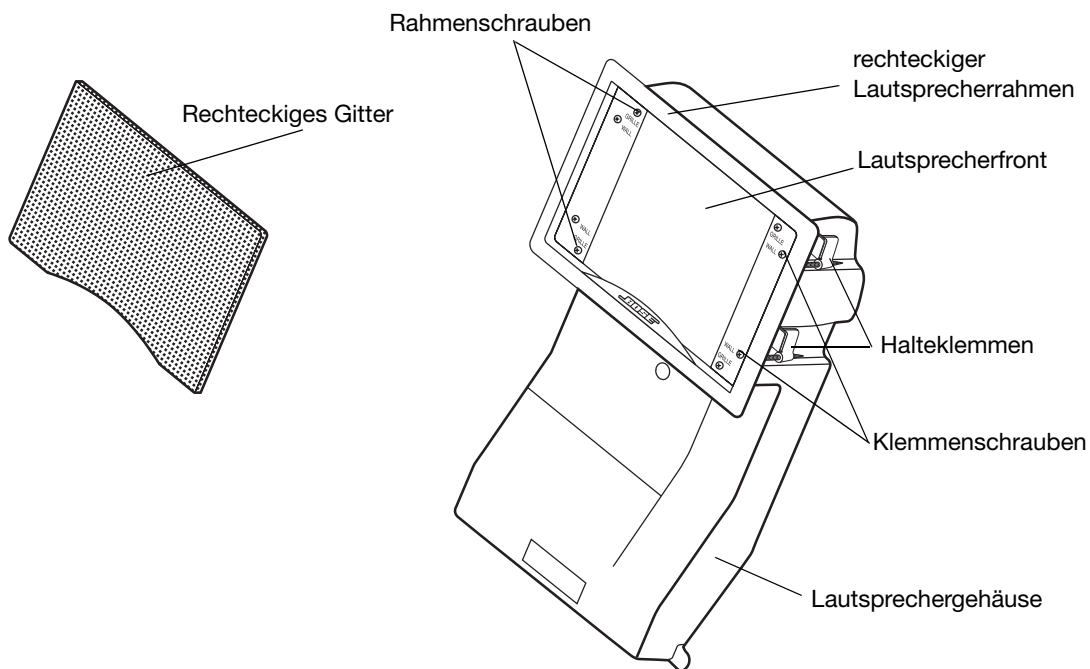
Die Virtually Invisible® 191 Lautsprecher bestehen aus einer Articulated Array® Lautsprecheranordnung, welche die als Bose Stereo Everywhere® bekannte Wiedergabequalität liefern: klarer, originalgetreuer Klang und gleichmäßige Schallverteilung.

## Verbesserung durch Veränderung

Nach der Installation beanspruchen die Virtually Invisible® 191 Lautsprecher nur eine sehr kleine Wandfläche. Dabei ist ihre fortschrittliche Gehäusegestaltung (wie in Abbildung 1 gezeigt) nicht sichtbar. Die Gestaltung stellt sicher, dass unabhängig von Lage und Beschaffenheit des Installationsortes eine gleichbleibend hohe Wiedergabequalität erzielt wird. Darüber hinaus wird so verhindert, dass der Schall in andere Räume gelangt; dies stellt bei herkömmlichen fest installierten Lautsprechern oft ein Problem dar.

### Abbildung 1

Lautsprechergehäuse mit rechteckigem Rahmen





## Auspacken

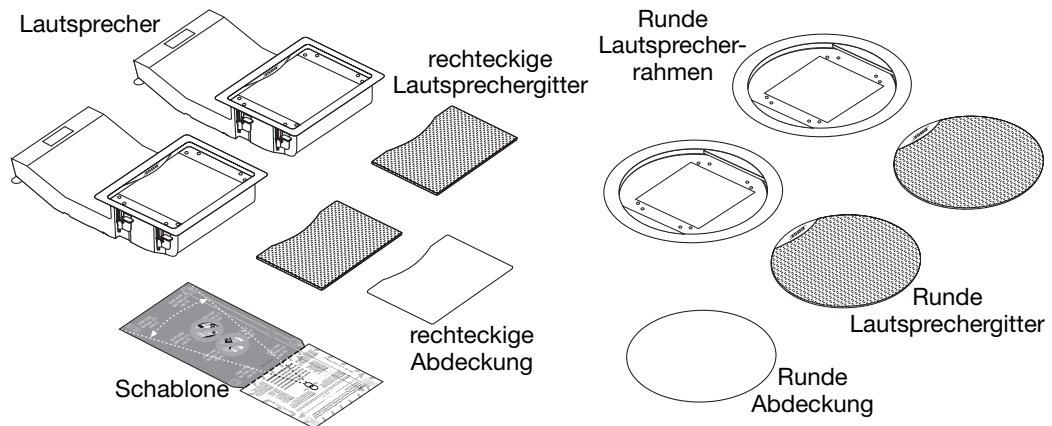
Packen Sie die Lautsprecher vorsichtig aus. Überprüfen Sie, ob alle in Abbildung 2 gezeigten Gegenstände mitgeliefert wurden. Verwenden Sie das Lautsprecherpaar nicht, wenn ein Bestandteil beschädigt wirkt. Teilen Sie Bose oder Ihrem autorisierten Fachhändler die Beschädigung unverzüglich mit. Eine Liste mit Kontaktinformationen finden Sie im Versandkarton.

🎵 **Hinweis:** Sie sollten jetzt die Seriennummern, die Sie jeweils auf der Rückseite der Lautsprecher finden, auf der Garantiekarte und unter Für Ihre Unterlagen auf Seite 2 eintragen.

### Abbildung 2

Inhalt des Kartons:

- 2 Lautsprecher, rechteckige Rahmen vormontiert
- 2 rechteckige Lautsprechergitter
- 1 rechteckige Abdeckung
- 1 Schablone
- 2 runde Lautsprecherrahmen
- 2 runde Lautsprechergitter
- 1 runde Abdeckung



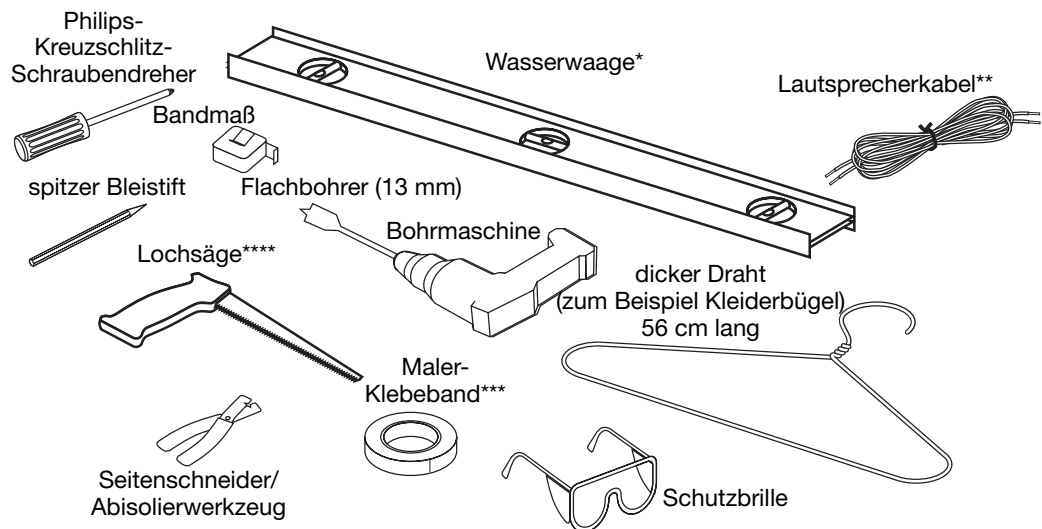
### Weitere benötigte Materialien

Vorrichtungen zum Sichern des Lautspeakers in Wänden oder Decken befinden sich direkt am Lautsprecher. Sie benötigen allerdings weitere Gegenstände und Werkzeuge, um die Lautsprecher zu installieren (Abbildung 3).

Nähere Informationen zur Arbeit mit Werkzeugen und Materialien finden Sie unter „Hilfe für die Installation“ auf Seite 21.

### Abbildung 3

Gegenstände zum Installieren der Lautsprecher entsprechend den Anweisungen



\* Für den Einbau in Wänden wird die Verwendung einer Wasserwaage empfohlen.

\*\* Spezifikationen für geeignete Lautsprecherkabel finden Sie unter *Referenz* in diesem Handbuch.

\*\*\* Maler-Klebeband oder Klebeband mit schwachem Kleber, der Anstrich bzw. Tapete nicht beschädigt.

\*\*\*\* Schneidwerkzeug – für Trockenbauwand: Lochsäge, Trockenbausäge, rotierendes Schneidwerkzeug oder Elektrostichsäge.  
für Ständerwerk und Putz: Elektrosäbelsäge oder rotierendes Schneidwerkzeug.

## Lautsprecher positionieren

Das Design der neuen Virtually Invisible® 191 Lautsprecher wurde optimiert für die Wand- und Deckenmontage. Das Installationsverfahren richtet sich nach dem gewählten Anbringungsort. Bedenken Sie die folgenden Aspekte, und folgen Sie dann den entsprechenden Anweisungen:

- Wie wollen Sie die Lautsprecher einsetzen?
  - für Stereowiedergabe an der Frontseite eines Raumes oder gegenüber einer Sitzgruppe oder
  - als Frontlautsprecher für das Heimkino oder als rückwärtige Lautsprecher für Surround Sound
- In was für eine Oberfläche wollen Sie die Lautsprecher integrieren?
  - eine Innenwand (Abgrenzung zu einem anderen Raum), Außenwand (mit einer Seite im Freien), Zimmerdecke
  - in einer bestehenden Konstruktion (Ständerwerk/Putz oder Gipskarton) oder in einer Neukonstruktion

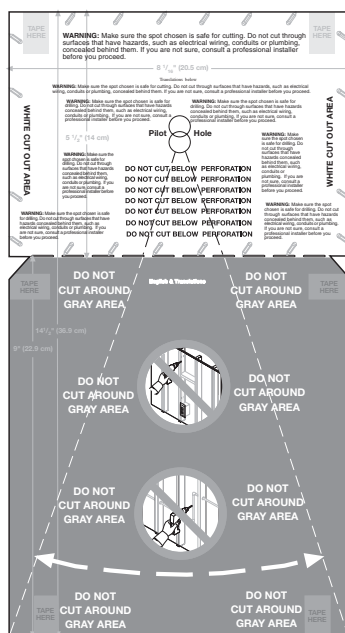
### Drei Tipps zur Lautsprecherpositionierung

1. Mithilfe der an Wand oder Decke gehaltenen Schablone können Sie feststellen, wie viel Platz die Lautsprecher benötigen. Jedes Lautsprechergehäuse erstreckt sich *in die Wand bzw. Decke* wie in dem grauen Bereich DO NOT CUT (Nicht ausschneiden) auf der Schablone dargestellt (Abbildung 4). Der Lautsprecher kann nach oben oder nach unten weisend in eine Wand eingesetzt werden und erstreckt sich dann über oder unter das Gitter.
2. Mit einem Balkenfinder können Sie sicherstellen, dass die Lautsprecheröffnung mindestens 12 cm von einem Balken oder Träger entfernt ausgesägt wird.
3. Elektrische Leitungen, Lüftungskanäle und Rohrleitungen in den Hohlwänden dürfen nicht beschädigt werden (Abbildung 5 auf Seite 7). Wenden Sie sich an eine Fachkraft, wenn Sie Hilfe beim Auffinden derartiger Installationen benötigen.

🎵 **Hinweis:** Vermeiden Sie das Einsetzen des Lautsprechers mit dem Gehäuse nach oben, wenn niedrige Außentemperaturen auftreten können und wenn ein Luftbefeuchter verwendet wird. Hierdurch umgehen Sie Probleme durch Kondenswasser.

### Abbildung 4

Schablone



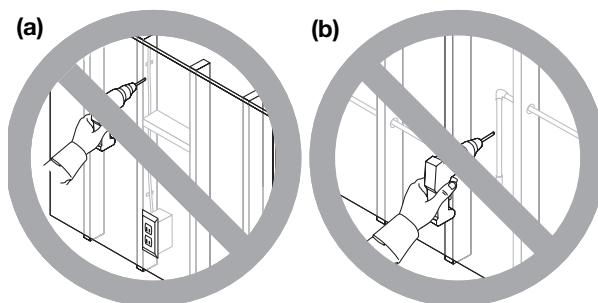
HIER AUSSÄGEN  
Die große weiße Zone zeigt den auszuhäutenden Bereich für die Lautsprecherfront an.

NICHT AUSSÄGEN  
Die große graue Zone zeigt den für das Lautsprechergehäuse erforderlichen Raum hinter der Wandoberfläche an.

**⚠ ACHTUNG:** Nach der Installation ist das Lautsprechergehäuse hinter der Wand verborgen. Führen Sie in diesem Bereich der Wand keinesfalls Schnitte oder Bohrungen aus, und schlagen Sie keine Nägel ein. Wenn das Lautsprechergehäuse mit Werkzeugen beschädigt wird, kann der Lautsprecher dadurch zerstört werden.

### Abbildung 5

Vorsichtsmaßnahmen bei verdeckten Elektroinstallationen (a) und Rohrleitungen (b) hinter der Wandoberfläche



### Bevorzugte Lautsprecherform auswählen

Sie können die nach dem Installieren sichtbare Lautsprecherfront rechteckig oder rund gestalten. Überlegen Sie sich, welche Form am besten zu dem gewünschten Installationsort der Lautsprecher passt. Im Allgemeinen eignet sich die rechteckige Form am besten für Wände, während die runde Form ideal für Decken ist.

Die rechteckigen Rahmen lassen sich leicht entfernen und durch runde Rahmen ersetzen. Sie können dies sofort tun oder damit warten, bis Sie die genaue Lage der Lautsprecher festgelegt haben. **Legen Sie die Frontgestaltung jedoch fest, bevor Sie die Lautsprecher in Wände oder Decken einsetzen.** Die Kante des Lautsprecherrahmens verhindert, dass der Lautsprecher hinter die Wand fällt und nicht mehr erreichbar ist. Entfernen Sie den Rahmen nicht, wenn sich der Lautsprecher in der Wand befindet. Informationen zum Entfernen und Ersetzen der Lautsprecherrahmen finden Sie unter „Neuausrichten oder Ändern der Lautsprecherrahmen“ auf Seite 15.

### Wandtyp ermitteln und Vorgehensweise festlegen

Wenn Sie die Lautsprecher in einem vorverkabelten Raum mit Gipskartonplatten auf Balken-Leichtbauwand (38 x 89) installieren, wurde die Platzierung der Lautsprecher bereits festgelegt. Lesen Sie in diesem Fall „Installation“ auf Seite 9. Diese Anweisungen beziehen sich auf die Installation der Lautsprecher mit rundem oder rechteckigem Gitter in Wänden oder Decken.

Wenn Sie eine andere Installation verwenden, legen Sie anhand der nachstehenden Informationen fest, wo Sie die Lautsprecher platzieren. Wenn Sie die Lage der Lautsprechergitter bestimmen, beachten Sie folgende Richtlinien:

**⚠ ACHTUNG:** Installieren Sie den Lautsprecher nicht in der Nähe von Wärmequellen (Heizkörper, Wärmespeicher, Öfen oder andere Geräte (auch Verstärker), die Wärme erzeugen).

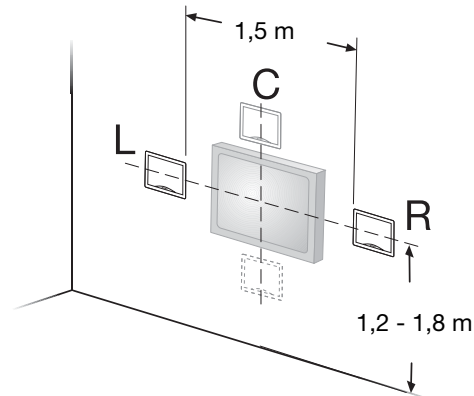
### Platzierung in Wänden

- Die beiden Lautsprecher sollten mindestens 1,5 m voneinander entfernt sein.
- Bei Anwendung als Frontlautsprecher in einem Raum oder zur Surround-Sound-Wiedergabe auf der Rückseite eines Heimkinos installieren Sie die Lautsprecher so, dass sich die Lautsprechergitter 1,2 bis 1,8 m über dem Boden befinden. So erreichen Sie die optimale Wiedergabe.
- Bei Verwendung als Frontlautsprecher für ein Heimkino richten Sie die Lautsprecher auf der gleichen Höhe wie die Bildschirmmitte aus (Abbildung 6 auf Seite 8).

- Platzieren Sie den Lautsprecher für den Center-Kanal über oder unter dem Bildschirm und in der Mitte zwischen dem linken und dem rechten Frontlautsprecher (aber nicht auf einer horizontalen Ebene mit diesen). Eine imaginäre Linie zwischen den linken, mittleren und rechten Frontlautsprechern würde ein „V“ ergeben.
- Die Lautsprecher sollten nicht quer in einer Wand montiert werden. Das Gehäuse muss entweder nach oben oder nach unten weisen.

### Abbildung 6

Ausrichtung der Wandlautsprecher zur Verwendung als Frontlautsprecher für Heimkino



### Platzierung in Decken

Beachten Sie die folgenden Richtlinien, wenn Sie die Lautsprecher in der Decke montieren. Die Richtung, in die das Gehäuse weist, wird durch den Abstand der Deckenträger bestimmt. Die Gehäuse der Lautsprecher sollten parallel zu den Deckenträgern ausgerichtet werden.

So erzielen Sie die beste Stereoperformance mit der Deckenmontage:

- die Lautsprecher sollten mit gleichmäßigem Abstand auf jeder Seite des Haupthörbereichs angebracht werden.

So erzielen Sie die beste Heimkino-Performance mit der Deckenmontage:

- Platzieren Sie die rechten und linken Frontlautsprecher mit gleichmäßigem Abstand rechts und links über dem Videobildschirm.
- Platzieren Sie den Center-Lautsprecher über der Mitte des Bildschirms.
- Platzieren Sie die Surround-Lautsprecher mit gleichmäßigem Abstand gegenüber der Wand mit dem Bildschirm.

## Vor dem Bohren

Lesen Sie zuerst die Hinweise unter „Vorbereitung“ ab Seite 5, und vergewissern Sie sich, dass Sie alles verstanden haben, damit Sie die folgenden Schritte sicher ausführen können.

**⚠ ACHTUNG:** Wenn Sie Bedenken haben, ziehen Sie einen qualifizierten Fachbetrieb zu Rate.

- ✓ Kleine Symbole weisen auf die Werkzeuge hin, die Sie für den jeweils nächsten Schritt benötigen.

**Tipps** liefern Hinweise, um die Arbeit leichter auszuführen und Fehler zu vermeiden.

## Probebohrung zum Ermitteln des Freiraums

Prüfen Sie den Freiraum hinter der Wand oder oberhalb der Decke durch eine kleine Probebohrung, bevor Sie größere Öffnungen aussägen. Der geringe Aufwand hierfür zahlt sich aus, wenn dadurch eine erfolgreiche Installation sichergestellt wird.

**🎵 Hinweis:** Wenn Sie an einer Außenwand arbeiten, behindern möglicherweise Dämmstoffe die Prüfung mit einer Probebohrung. Daher können Sie in diesem Fall ggf. diesen Schritt überspringen und mit „Wand für den Einbau der Lautsprecher vorbereiten“ auf Seite 13 fortfahren. Sie müssen dazu allerdings sicher sein, dass der Dämmstoff flexibel ist und kein anderes Objekt hinter der Wandoberfläche die Installation behindert.

**⚠ WARNUNG:** Wenn Sie Anhaltspunkte dafür haben, dass der Dämmstoff asbesthaltig ist, bohren oder sägen Sie keinesfalls in die Wand. Wählen Sie stattdessen einen anderen Installationsort für die Lautsprecher.

### Schablone verwenden

- ✓ Sie benötigen für diesen Arbeitsschritt einen **spitzen Bleistift**.

Die Schablone zeigt an, wo zunächst zwei Probebohrungen mit 13 mm Durchmesser zu bohren sind, bevor größere Öffnungen für den gesamten Lautsprecher hergestellt werden. Sie können dann den Raum hinter der Bohrung testen, um sicherzustellen, dass genug Platz für den Lautsprecher vorhanden ist und die Installation nicht durch Objekte gestört wird.

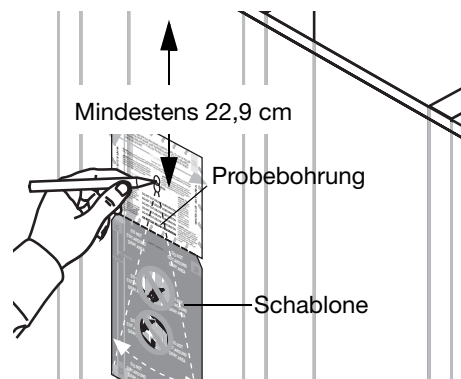
Beachten Sie die unterbrochenen Linien, die von der Probebohrung zu den unteren Ecken des nicht auszusägenden Bereichs auf der Schablone führen. Verwenden Sie diese Linien als Richtschnur, um festzustellen, ob unterhalb der Probebohrung genügend Freiraum für das Lautsprechergehäuse vorhanden ist.

### Schablone positionieren

1. Wählen Sie für den Mittelpunkt des Lautsprechergitters einen Punkt auf der Wand oder an der Decke. Sehen Sie sowohl ober- als auch unterhalb der Probebohrung genügend Raum für das Lautsprechergehäuse vor. Dadurch haben Sie eine Platzreserve, wenn sich unter der Wandoberfläche ein Installationshindernis befindet.
2. Drücken Sie die Schablone gegen die Wand, und zentrieren Sie den gewünschten Mittelpunkt in den Kreisen für die Probebohrungen.
3. Ziehen Sie mit dem Bleistift die Kreislinien für die Probebohrung nach (Abbildung 7).
4. Entfernen Sie die Schablone.

### Abbildung 7

Vorbereitungen für die Probebohrung



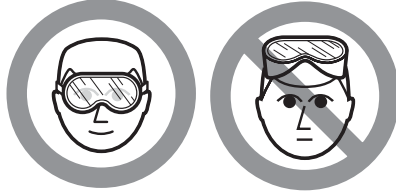
### Prob Bohrung setzen

- ✓ Sie benötigen für diesen Arbeitsschritt einen **Flachbohrer (13 mm)** und eine **Bohrmaschine** oder ein **spezielles rotierendes Schneidwerkzeug**.

**⚠ WARNUNG:** Tragen Sie eine Schutzbrille, und beachten Sie alle Sicherheitsregeln für Bohrmaschinen und Schneidwerkzeuge (Abbildung 8).

#### Abbildung 8

Nur mit Schutzbrille bohren!



**⚠ WARNUNG:** Stellen Sie sicher, dass sich die gewählte Stelle für Aussägungen eignet. Bohren Sie nicht in Oberflächen, hinter denen sich Gefahren wie verdeckte elektrische Leitungen, Führungen oder Rohrleitungen befinden. Treffen Sie alle erforderlichen Sicherheitsvorkehrungen.

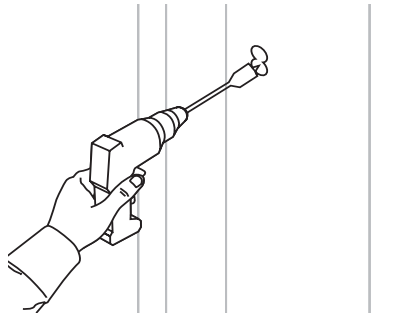
1. Zentrieren Sie die Bohrerspitze im oberen Kreis, den Sie gezeichnet haben.
2. Bohren Sie vollständig durch die Gipskartonplatte, damit Sie den Raum dahinter untersuchen können.

**🎵 Hinweis:** Wenn Sie auf Dämmstoff stoßen, ist es schwierig oder ganz unmöglich, den Raum hinter der Prob Bohrung zu überprüfen. Wenn Sie sicher sind, dass der gewählte Installationsort frei von verdeckten Gefahren und Hindernissen ist, können Sie dennoch die Installationsöffnung aussägen, etwas von dem flexiblen Dämmstoff entfernen und weiter vorgehen. Siehe „Wand für den Einbau der Lautsprecher vorbereiten“ auf Seite 13.

3. Bohren Sie das zweite Loch direkt unterhalb des ersten (Abbildung 9). Das Loch wird so verlängert und eignet sich nun zum Prüfen, ob der Raum für das Lautsprechergehäuse ausreicht.

#### Abbildung 9

Prob Bohrung mit Flachbohrer und Bohrmaschine



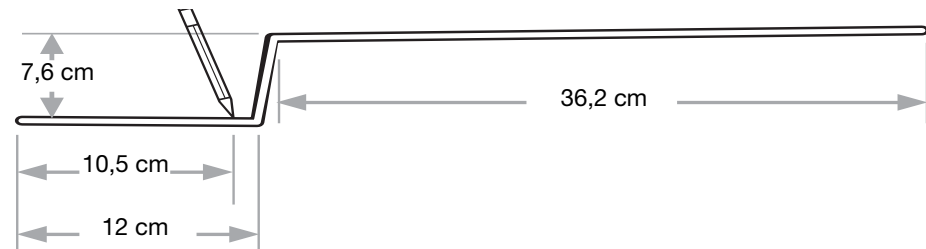
## Raum hinter der Bohrung prüfen

**Tipp:** Sie benötigen für diesen Arbeitsschritt ein **Bandmaß** und einen **steifen Draht** (z. B. geradegebogenen Draht-Kleiderbügel) von 56 cm Länge.

1. Biegen Sie den Draht gemäß Abbildung 10.

### Abbildung 10

56 cm langer Draht mit zwei Biegungen



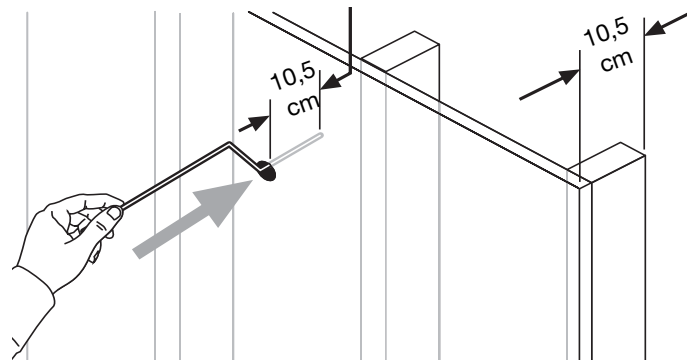
**Tipp:** Um eine höhere Genauigkeit zu erreichen, lassen Sie den ersten Biegeabschnitt etwas länger, messen Sie erneut, und schneiden Sie dann den Überstand an diesem Ende ab.

**⚠️ WARNUNG:** Wenn sich hinter der Wandoberfläche möglicherweise elektrische Leitungen befinden, umwickeln Sie den Draht mit Isolierband, um elektrische Schläge zu vermeiden.

2. Setzen Sie am kurzen Ende bei 10,5 cm eine Markierung für die Einbautiefe.
3. So verwenden Sie den gebogenen Draht zum Prüfen der Einbautiefe:  
Führen Sie das kurze Drahtende gerade in das Loch ein, und ziehen Sie es wieder heraus (Abbildung 11). Dadurch prüfen Sie, ob der Draht bis zu einer Tiefe von 10,5 cm nicht behindert wird und der Freiraum somit für die Einbautiefe des Lautsprechers ausreicht.

### Abbildung 11

Prüfung des Freiraums für die Einbautiefe des Lautsprechers

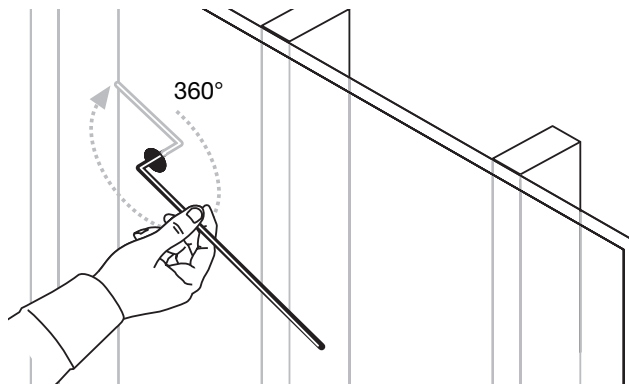


- Wenn sich der Draht problemlos einführen lässt, fahren Sie mit Schritt 4 fort.
  - Wenn Sie den Draht nicht bis zur 10,5-cm-Marke einführen können, müssen Sie eine erneute Probebohrung an anderer Stelle durchführen. Wiederholen Sie dann Schritt 3.
4. So verwenden Sie den Draht, um die seitliche Breite des Freiraums zu prüfen:  
Wenn das kurze Ende eingeführt ist, drehen Sie dieses um 90° (wie in Abbildung 12 auf Seite 12 gezeigt), und lassen Sie es dann in einer vollen Umdrehung um das Loch rotieren. So prüfen Sie, ob der seitliche Freiraum für die Breite des Lautsprechers ausreicht.

## INSTALLATION

**Abbildung 12**

Prüfung des Freiraums für die Lautsprecherbreite



- Wenn sich der Draht problemlos um 360° drehen lässt, fahren Sie mit Schritt 5 fort.
  - Wenn Sie den Draht nicht mit der ganzen Länge des kurzen Endes um 360° drehen können, müssen Sie an anderer Stelle erneut eine Probebohrung setzen. Wiederholen Sie dann die Schritte 3 und 4.
5. So prüfen Sie mit dem Draht, ob genügend Freiraum unterhalb der Probebohrung vorhanden ist:  
Halten Sie den Draht am kurzen Ende. Führen Sie das lange Ende vom Loch aus senkrecht nach unten in den Hohlraum hinter der Oberfläche ein (Abbildung 13a).

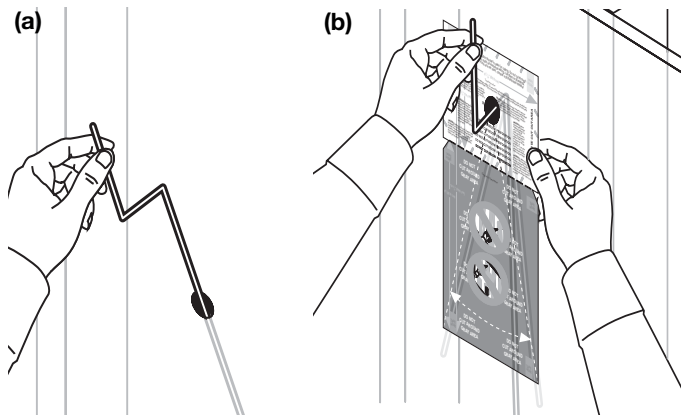
**Tipp:** Verwenden Sie hierfür ggf. die Schablone wie in Abbildung 13b gezeigt.

- Schwenken Sie den Draht in der Bohrung, und überstreichen Sie dabei den Winkel von links nach rechts wie auf der Schablone abgebildet. Damit stellen Sie sicher, dass der Hohlraum am unteren Ende sowohl lang genug als auch breit genug ist.

**Tipp:** Bewegen Sie den Draht beim Prüfen der Länge einmal nahe an der Oberfläche und einmal etwas davon entfernt (wie in Abbildung 13a, unten).

**Abbildung 13**

Einführen des langen Drahtendes (a) und seitliches Schwenken, um die Länge zu prüfen (b)



- Wenn Sie den Draht problemlos einführen und von einer Seite zur anderen schwenken können, fahren Sie mit dem nächsten Schritt fort: „Wand für den Einbau der Lautsprecher vorbereiten“ auf Seite 13.
- Wenn Sie unter der Oberfläche einer Innenwand auf ein Hindernis stoßen, führen Sie den Draht nach oben gerichtet ein. Wenn der Raum oberhalb der Probebohrung frei ist, können Sie den Lautsprecher mit dem Gehäuse nach oben installieren. Bei einer Außenwand wird von der Installation mit dem Gehäuse nach oben abgeraten. Wenn Sie in diesem Fall auf ein Hindernis stoßen, müssen Sie an anderer Stelle erneut eine Probebohrung setzen. Wiederholen Sie dann die Schritte 3, 4 und 5.



### **Nach erfolgreicher Probebohrung**

Wenn Sie sicher festgestellt haben, dass der gewünschte Installationsort für einen Lautsprecher geeignet ist, führen Sie zunächst die Probe am Installationsort des zweiten Lautsprechers durch, bevor Sie größere Öffnungen aussägen. Wiederholen Sie hierzu die Schritte unter „Probebohrung zum Ermitteln des Freiraums“ auf Seite 9.

Wenn der Installationsort zwar für den ersten, jedoch nicht für den zweiten Lautsprecher geeignet sind, müssen Sie ggf. beide Positionen neu wählen.

### **Probebohrung verschließen**

Verschließen Sie eine Fehlbohrung mit Spachtelmasse. Lassen Sie eine Schicht Spachtelmasse trocknen, und füllen Sie dann das Loch komplett auf. Lassen Sie dabei etwas Spachtelmasse überstehen. Nach vollständiger Trocknung können Sie die Stelle abschleifen, um wieder eine ebene Fläche herzustellen.

## **Wand für den Einbau der Lautsprecher vorbereiten**

Führen Sie die folgenden Schritte besonders sorgfältig aus, um ein gutes Arbeitsergebnis zu erzielen.

**⚠ ACHTUNG:** Überlegen Sie erneut, ob Sie die Arbeiten problemlos ausführen können. Wenn Sie Bedenken haben, in die Wandoberfläche zu sägen oder Kabel in der Wand zu verlegen, stellen Sie die Arbeit am besten ein. Setzen Sie sich in diesem Fall mit einem qualifizierten Fachbetrieb in Verbindung, und beschreiben Sie die durchzuführenden Arbeiten. Holen Sie einen Kostenvoranschlag ein, bevor Sie entsprechende Dienstleistungen in Auftrag geben.

**⚠ WARNUNG:** Wenn Sie Hinweise darauf haben, dass der Dämmstoff in der Wand asbesthaltig sein könnte, führen Sie keine Sägearbeiten durch. Wählen Sie stattdessen einen anderen Installationsort für die Lautsprecher.

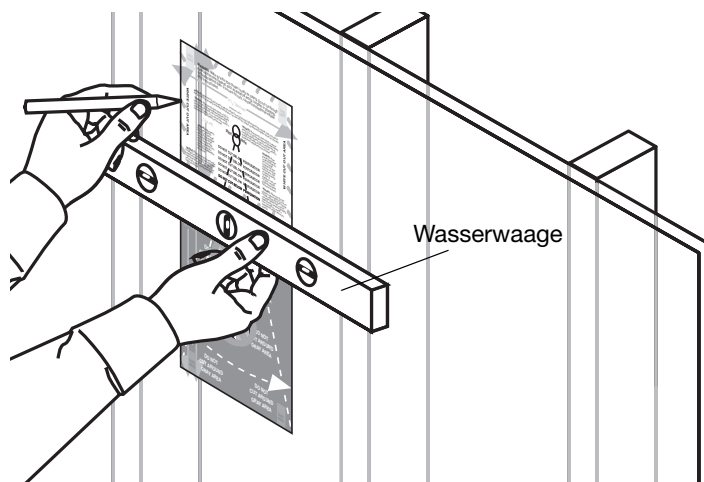
### **Öffnung ausmessen und markieren**

✓ Für den folgenden Arbeitsschritt benötigen Sie **eine Wasserwaage, einen spitzen Bleistift und eventuell etwas Klebeband** für die Schablone.

1. Platzieren Sie die Schablone genau über der Probebohrung des Installationsortes.
2. Stellen Sie sicher, dass die Schablone waagrecht ausgerichtet ist (Abbildung 14).

#### **Abbildung 14**

Korrekte Ausrichtung der Schablone



3. Kleben oder halten Sie die Schablone fest, und zeichnen Sie die Seiten und die Oberkante der WEISSEN ZONE ZUM AUSSÄGEN nach.

4. Schraffieren Sie den unteren Rand der weißen Zone zum Aussägen durch die Schlitzte in der Schablone.
5. Entfernen Sie die Schablone.

**Tipp:** Fixieren Sie die Schablone bei Bedarf vorübergehend mit Klebeband (an den mit **HIER FESTKLEBEN** bezeichneten Stellen). Ziehen Sie dann den gesamten Umriss der Schablone bis auf die Klebestellen mit dem Bleistift nach.

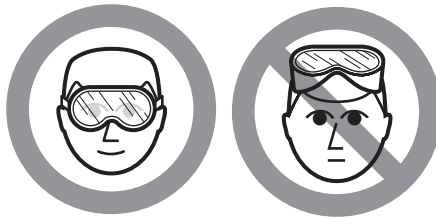
### Lautsprecheröffnung aussägen

- ✓ Für diesen Installationsschritt benötigen Sie **eine kleine Säge oder ein spezielles Schneidwerkzeug (z. B. eine Lochsäge oder eine Trockenbausäge)**.

▲ **WARNUNG:** Tragen Sie eine Schutzbrille (Abbildung 15), und beachten Sie alle Sicherheitsregeln für Sägearbeiten und Schneidwerkzeuge.

#### Abbildung 15

Nur mit Schutzbrille bohren!



1. Am besten bohren Sie Löcher *innerhalb* der Ecken des gezeichneten rechteckigen Umrisses, bevor Sie mit dem Sägen beginnen. Führen Sie das Sägeblatt in die Probebohrung ein, und sägen Sie bis zu einer Bleistiftlinie.

**Tipp:** Sägen Sie vorsichtig und genau, auch wenn der Lautsprecherrahmen die Plattenkante nach der Montage um 6 mm überragt. Kleinere Sägeungenauigkeiten werden durch den Rahmen verdeckt.

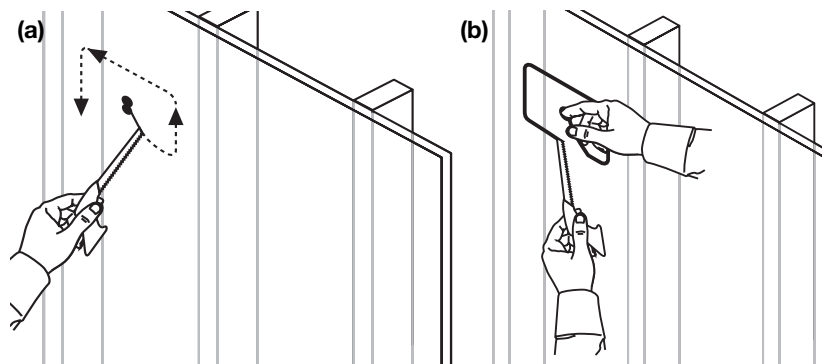
2. Sägen Sie nur auf drei von vier Seiten des gezeichneten Umrisses, *nicht* vollständig herum (Abbildung 16a).

▲ **WARNUNG:** Halten Sie Ihre Finger vom Sägeblatt fern.

3. Haken Sie einen Finger in die Probebohrung ein, damit das Wandstück nicht nach innen fällt, und sägen Sie dann das letzte Stück (Abbildung 16b).
4. Ziehen Sie das ausgesägte Stück mit dem Finger heraus.

#### Abbildung 16

Angezeichnete Öffnung aussägen (a) und Ausschnitt mit dem Finger festhalten (b)



### Dämmstoffe hinter der Oberfläche

In der Regel sind Außenwände und manchmal auch Innenwände mit Wärmedämmstoffen versehen. Wenn der vorgefundene Dämmstoff flexibel ist, können Sie ihn über und unter der Lautsprecheröffnung teilweise wegschneiden, um Platz für den Lautsprecher zu schaffen. Der Umgang mit manchen Dämmstoffen ist schwierig und möglicherweise gefährlich.

**⚠ ACHTUNG:** Seien Sie vorsichtig, wenn Sie in den Hohlraum der Wand greifen, damit Sie sich nicht an verborgenen Nägeln verletzen.

**⚠ ACHTUNG:** Tragen Sie Handschuhe, Atemschutz und Schutzbrille, bevor Sie mit faserhaltigen Dämmstoffen (Glaswolle) arbeiten.

## Neuausrichten oder Ändern der Lautsprecherrahmen

### Logo des rechteckigen Rahmens neu ausrichten

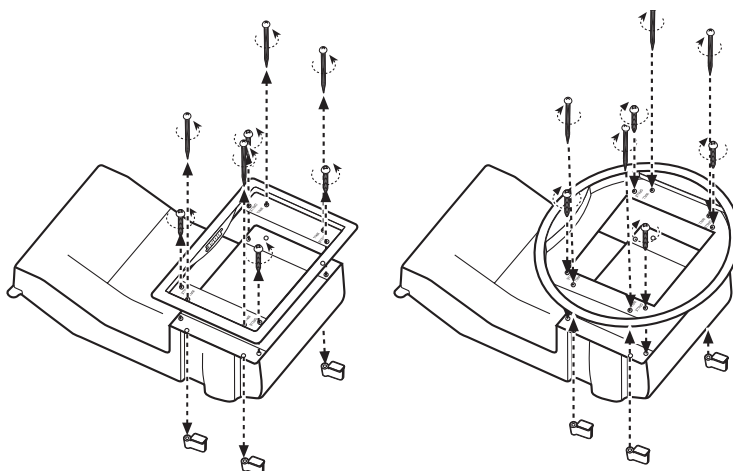
Wenn Sie aus Platzgründen einen Lautsprecher mit rechteckigem Rahmen mit dem Gehäuse nach oben installieren müssen, bringen Sie vor dem Einsetzen das Logo in die richtige Position.

Nehmen Sie dazu den Rahmen vom Lautsprecher ab, drehen Sie ihn um 180° und bringen Sie den Rahmen wieder an. Der Rahmen wird von vier mit „GRILLE“ (Gitter) bezeichneten Schrauben gehalten. (Siehe Abbildung 17 unten und Abbildung 23 auf Seite 18). Verwechseln Sie diese nicht mit den Klemmschrauben, die mit „WALL“ (Wand) bezeichnet sind.

Setzen Sie den Lautsprecher nicht ohne Rahmen in die Wand ein. Der Rahmen verhindert, dass der Lautsprecher in die Wand fällt.

#### Abbildung 17

Rechteckigen durch runden Lautsprecherrahmen ersetzen



### Runde Lautsprecherrahmen installieren

Wenn Sie runde Lautsprecherrahmen verwenden möchten, installieren Sie sie jetzt. Entfernen Sie dazu jeweils die vier Schrauben, die die rechteckigen Rahmen halten, und verwenden Sie diese zum Sichern der runden Rahmen (Abbildung 17). Das Logo befindet sich auf dem runden Lautsprechergitter, welches später eingesetzt wird.

## Lautsprecher einhängen und anschließen

✓ Für diesen Arbeitsschritt benötigen Sie **einen Philips-Kreuzschlitz-Schraubendreher und zusätzlich ggf. Klebeband**.

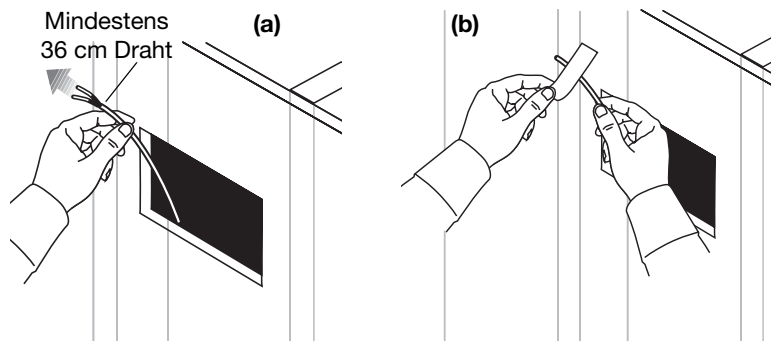
Wenn die Wand nicht vorverkabelt ist, finden Sie weitere Informationen unter „Vorgehen bei nicht vorverkabelten Räumen“ auf Seite 24. Sofern das Kabel in Reichweite der ausgesägten Öffnung ist, gehen Sie so vor:

1. Greifen Sie in die ausgesägte Öffnung, und ziehen Sie mindestens 36 cm des verlegten Lautsprecherkabels heraus (Abbildung 18 auf Seite 16).

## INSTALLATION

**Abbildung 18**

Kabel hoch und heraus nach links ziehen (a) und mit Klebeband sichern (b)



2. Fixieren Sie das Kabelende links oben mit einem Klebestreifen (Abbildung 18b). Dadurch wird die Öffnung freigehalten, um den Lautsprecher problemlos einhängen zu können.

**Lautsprecher in die Öffnung einhängen**

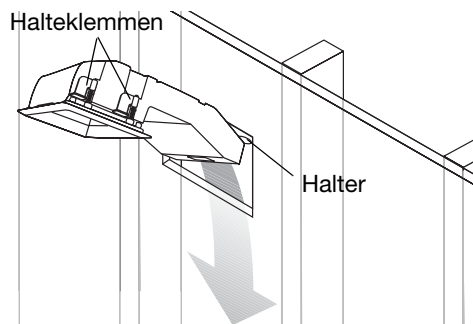
Stellen Sie sicher, dass keine Halteklemme (zwei auf jeder Seite) über den Lautsprecherrahmen hervorsteht, bevor Sie die nächsten Schritte ausführen. Drücken Sie die Halteklemmen ggf. hinter den Rahmen zurück, so dass der Lautsprecher einwandfrei in die Öffnung eingesetzt werden kann.

**Tipp:** Wenn Sie die Schrauben der Anschlussklemmen oben links am Lautsprecher bereits vor dem Einsetzen lösen, erleichtern Sie sich das Anschließen.

1. Halten Sie den Lautsprecher leicht angewinkelt mit beiden Händen, so dass er sich diagonal vor der Öffnung befindet. So ist ausreichend Raum für die Halter vorhanden.
2. Führen Sie je nach Lage des Freiraums hinter der Wandoberfläche die Unterseite des Gehäuses ein Stück weit auf- oder abwärts ein (Abbildung 19).

**Abbildung 19**

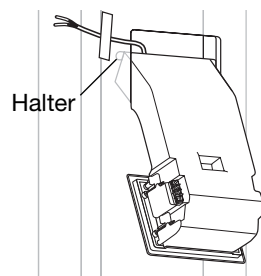
Lautsprecher mit rechteckiger oder runder Front teilweise einsetzen



3. Belassen Sie den Lautsprecher in dieser teilweise eingeführten Position. Die Halter verhindern, dass das Gehäuse herausfällt (Abbildung 20). In dieser Lage können Sie die Anschlussklemmen links oben am Lautsprecher leicht erreichen.

**Abbildung 20**

Lautsprecher, auf den Haltern ruhend



## Lautsprecher anschließen

- ✓ Für diesen Schritt benötigen Sie **einen Philips-Kreuzschlitz-Schraubendreher**.

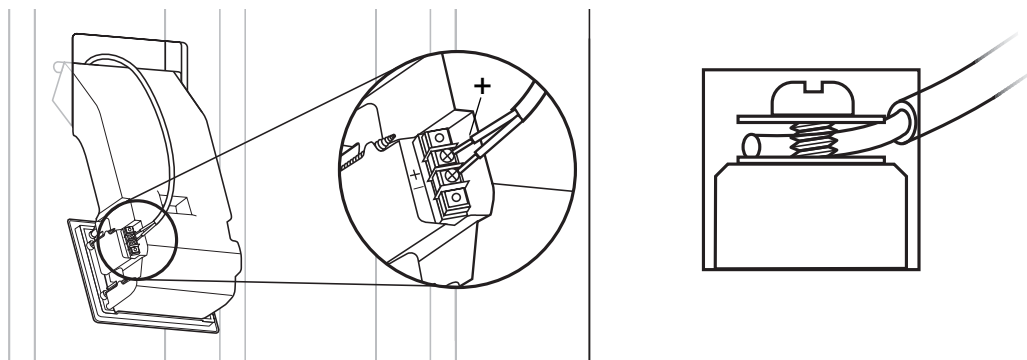
**Tipp:** Achten Sie auf richtige Polarität beim Anschließen (+ an + und – an –). Anschlussfehler wirken sich sehr nachteilig auf die Wiedergabequalität aus. Ziehen Sie die Schrauben jeweils fest, aber nicht zu stark an, um das Kabel nicht zu quetschen.

1. Lösen Sie zunächst die Schrauben an beiden Anschlussklemmen.
2. Führen Sie das Ende der markierten Ader (+) in die positive Anschlussklemme (+) ein, und ziehen Sie die Schraube fest (Abbildung 21).
3. Führen Sie das Ende der unmarkierten Ader (–) in die negative Anschlussklemme (–) ein, und ziehen Sie die Schraube fest.

**⚠ ACHTUNG:** Frei liegende Kabel dürfen einander nicht berühren, da dies die Verstärkerkomponenten beschädigen könnte. Schneiden Sie überstehenden Draht ab, und führen Sie die Ader wieder in die Klemme ein.

**Abbildung 21**

Kabel mit Anschlussklemmen verbinden



## Lautsprecher prüfen

Solange die Anschlüsse noch leicht erreichbar sind, sollten Sie den Lautsprecher prüfen. Stellen Sie sicher, dass er korrekt funktioniert, bevor Sie ihn in der Wand sichern.

Es ist sinnvoll, die Lautsprecher zusammen auf Funktion zu prüfen und deshalb zunächst auch den zweiten vorzuinstallieren. Wenn Sie den zweiten Lautsprecher angeschlossen haben, können Sie beide überprüfen. Damit gehen Sie sicher, dass beide richtig funktionieren, bevor Sie die Installation fortsetzen.

**⚠ ACHTUNG:** Falls Sie den ersten Lautsprecher vor dem Anschließen des zweiten prüfen, stellen Sie sicher, dass ausschließlich der erste Lautsprecher an den Receiver/Verstärker angeschlossen ist. So wird verhindert, dass sich nicht angeschlossene Drähte berühren und dadurch den Receiver/Verstärker beschädigen.

### So prüfen Sie den Lautsprecher:

1. Schalten Sie den Receiver/Verstärker ein, und spielen Sie ein Musikstück ab, das Ihnen bekannt ist.
2. Achten Sie während der Wiedergabe über einen Lautsprecher auf Klarheit und Wiedergabetreue.
  - Wenn Sie Beeinträchtigungen feststellen, lesen Sie den Abschnitt „Fehlersuche“ auf Seite 27.
  - Wird der Klang korrekt wiedergegeben, prüfen Sie den zweiten Lautsprecher, oder fahren Sie mit der Installation fort.

## Lautsprecher ganz in die Öffnung einsetzen

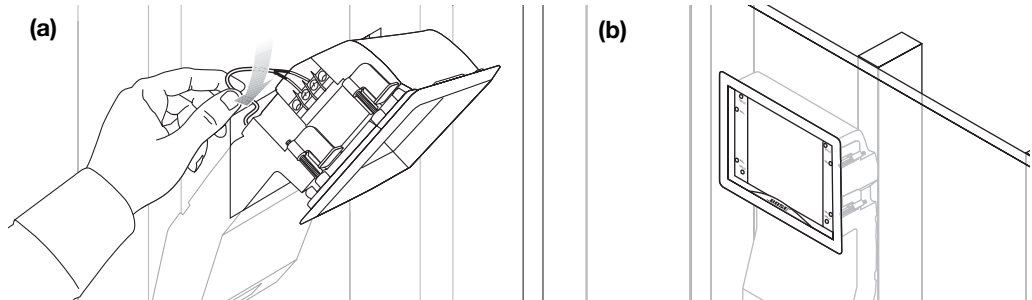
1. Wenn alle Anschlüsse hergestellt sind, drücken Sie überstehendes Kabel zurück in die Installationsöffnung (Abbildung 22 auf Seite 18).

## INSTALLATION

2. Stellen Sie sicher, dass der Rahmen des Lautsprechers fest mit der Front verschraubt ist. Der Rahmen verhindert, dass der Lautsprecher ganz in die Öffnung hineinfällt. Wenn Sie den Rahmen umdrehen müssen, damit das Logo richtig herum zu sehen ist, orientieren Sie sich an Abbildung 17 auf Seite 15.
3. Drücken Sie den Lautsprecher so weit in die Installationsöffnung, bis die Front eben aufliegt und bündig mit der Wand abschließt (Abbildung 22b).

**Abbildung 22**

Überstehendes Kabel hinter den Lautsprecher (a) drücken und Lautsprecher ganz in die Öffnung einsetzen (b)

**Lautsprecher in der Wand sichern**

**⚠ ACHTUNG:** Wenn Sie die Schrauben mit einem Akkuschrauber festziehen, wählen Sie die geringste Drehmomenteinstellung des Schraubers aus (keinesfalls mehr als 0,2-0,5 Nm). Wenn Sie eine Schraube nicht richtig anziehen können, stellen Sie das nächsthöhere Drehmoment ein, oder schrauben Sie von Hand weiter.

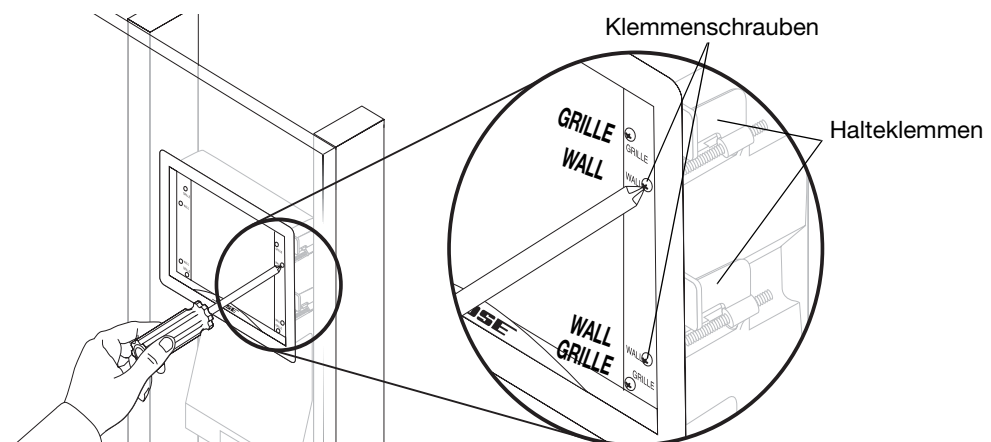
Sobald der Lautsprecher in der Öffnung so platziert ist, dass die Front eben aufliegt und bündig mit der Wand abschließt, können Sie die Klemmschrauben (beschriftet mit „WALL“ (Wand)) an den Rahmenseiten anziehen. Die Halteklemmen üben Druck von innen her auf die Wand aus, um den Lautsprecher fest an der Wand zu halten. Verwechseln Sie die Halteklemmen nicht mit den für „GRILLE“ (Gitter) markierten Schrauben.

**⚠ ACHTUNG:** Die Klemmen sollten zwar fest angezogen werden, die Schrauben der Klemmen dürfen jedoch nicht zu fest angezogen werden. Bei zu hohem Druck der Klemmen kann die Gipskartonplatte beschädigt werden und zerbröseln. Dadurch wird die Auflagefläche uneben, und es kann zu Lücken zwischen Lautsprecherfront und Wand kommen.

1. Ziehen Sie die vier Klemmschrauben reihum vorsichtig an (Abbildung 23), bis sie zu greifen beginnen. Dabei schwenken die Halteklemmen heraus und drücken gegen die Rückseite der Gipskartonplatte.
2. Greifen Sie den Rahmen des Lautsprechers mit den Fingern, und schieben Sie den Rahmen leicht hin und her, so dass er in die richtige Position gelangt. Stellen Sie sicher, dass die Front eben aufliegt, bevor Sie die Schrauben weiter festziehen, und richten Sie den Lautsprecher ggf. aus.

**Abbildung 23**

Klemmschrauben anziehen



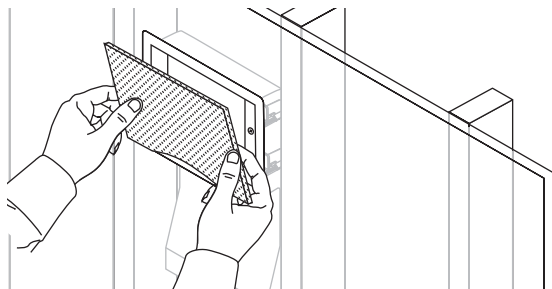
3. Wenn der Lautsprecher richtig sitzt, ziehen Sie alle Schrauben an.

## Rechteckige Gitter befestigen

1. Richten Sie die geschwungene Kante des Gitters an der entsprechenden Kante über dem Bose®-Logo aus, und drücken Sie zuerst diese Kante in den Lautsprecherrahmen (Abbildung 24).
2. Drücken Sie die Oberseite des Gitters hinein, bis Sie etwas Widerstand spüren. Das Gitter sitzt richtig, wenn die Gitterkanten bündig mit dem Lautsprecherrahmen abschließen.

### Abbildung 24

Gitter in Endlage einrasten



### Bei schiefer Montage

Betrachten Sie den Lautsprecher aus einiger Entfernung. Möglicherweise sitzt er nicht ganz gerade. In diesem Fall können Sie den Sitz des Lautsprechers noch leicht korrigieren:

1. Entfernen Sie das Gitter, indem Sie ein Werkzeug mit dünner Klinge zwischen Lautsprecherrahmen und Gitter einführen und es vorsichtig heraushebeln.
2. Lösen Sie die mit „WALL“ (Wand) beschrifteten vier Schrauben der Halteklemmen ein wenig.
3. Drücken Sie gegen die Seiten des Lautsprecherrahmens, um diesen nach oben oder unten in die richtige Position zu verschieben.
4. Betrachten Sie die Front aus einiger Entfernung, um den geraden Sitz zu prüfen. Wiederholen Sie ggf. Schritt 3.
5. Ziehen Sie alle vier Klemmschrauben an.
6. Bringen Sie das Gitter wieder an der Front des Lautsprechers an.

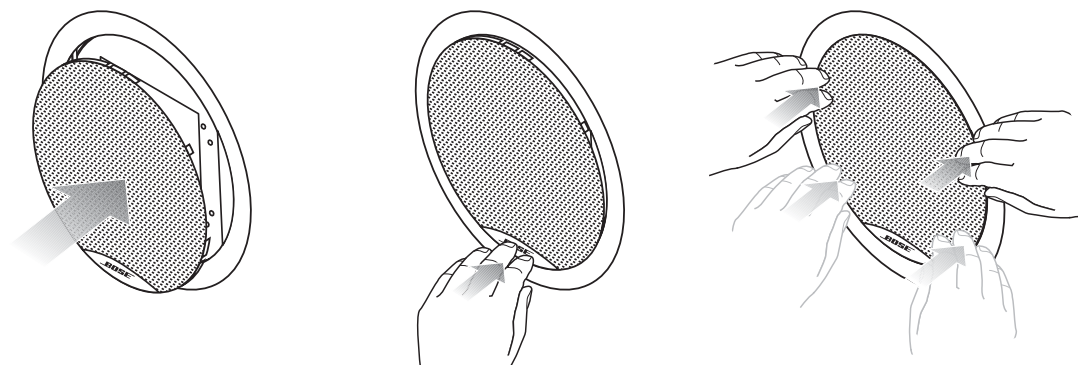
## Runde Gitter befestigen

1. Bringen Sie das Bose-Logo in die gewünschte Position.
2. Stecken Sie das Bose-Logo zuerst in den Lautsprecherrahmen. Siehe Abbildung 25.
3. Stecken Sie mit beiden Händen die Laschen des Gitters in den Rahmen, bis Sie oben am Gitter angekommen sind. Verbiegen Sie die Gitterlaschen nicht dauerhaft.

🎵 **Hinweis:** Wenn das Gitter in den Rahmen eingesetzt wurde, kann das Logo nicht mehr umgesetzt werden. Achten Sie deshalb darauf, dass das Logo an der gewünschten Position sitzt, bevor Sie das gesamte Gitter in den Rahmen stecken.

### Abbildung 25

Runde Gitter befestigen



## REFERENZ

### Anstreichen der Lautsprecher

Gitter und Rahmen der Virtually Invisible® 191 Lautsprecher können entweder vor oder nach dem Installieren der Lautsprecher mit Farbe überstrichen werden. Dies geschieht jedoch auf eigene Verantwortung, und Bose kann die Anhaftung und Qualität der nachträglich aufgetragenen Farbe nicht garantieren.

Die Vorgehen zum Anstreichen des Gitters und zum Anstreichen des Rahmens unterscheiden sich. Verwenden Sie nur solche Farbe, die sich für die gewählte Technik eignet.

**⚠️ WARNUNG:** Beachten Sie alle Sicherheitsregeln und -hinweise für die hierzu verwendeten Substanzen. Dies umfasst unter anderem Tragen einer Schutzbrille, Entlüftung, Atemschutz und Filtermasken sowie Brandschutz- und Löschvorkehrungen, sofern Sie entzündliche Lösemittel verwenden.

#### Gitter anstreichen

Die Farbe darf die Gittermaschen nicht zusetzen, da die Wiedergabe sonst beeinträchtigt wird. Sie können Pinsel- oder Sprühtechniken anwenden, um das Gitter zu beschichten. Verwenden Sie jedoch keinen Farbbroller.

- Entfernen Sie das Gitter, wenn es bereits installiert wurde.
- Reinigen Sie das Gitter vor dem Beschichten, um jegliche Verschmutzungen zu entfernen. Selbst Fingerabdrücke können das gleichmäßige Auftragen der Farbe stören.
- Stellen Sie sicher, dass die Farbe gleichmäßig und deckend auf dem Gitter verteilt ist. Streichen Sie das Gitter ggf. auch von innen.
- Schützen Sie das Gitter nach dem Trocknen mit einem sauberen Tuch oder Papier, bis Sie es am Lautsprecher anbringen.

#### Pinseltechnik

Für diese Methode eignet sich unverdünnte Latexfarbe. Decken Sie die Arbeitsumgebung sorgfältig mit Papier ab, so dass Sie den Pinsel wiederholt abstreifen können.

1. Tauchen Sie die Spitze eines sauberen, trockenen Pinsels in die Farbe.
2. Streichen Sie über das Papier, um die Farbmenge am Pinsel zu verringern. Wenn Sie einzelne Borstenstriche erkennen können, ist der Pinsel einsatzbereit.
3. Streichen Sie auf der Vorderseite des Gitters sanft horizontal hin und her, bis Sie mehr Farbe benötigen.

**Tipp:** Wenn sich die Farbe in die Gittermaschen setzt, winkeln Sie die Pinselstriche etwas an, um die Farbe wieder zu verteilen, oder blasen Sie leicht gegen die Farbansammlung.

4. Wiederholen Sie diese Schritte, bis die Außenseite des Gitters vollständig bedeckt ist.
5. Drehen Sie das Gitter um 180°, und überstreichen Sie auf die gleiche Weise die gesamte Oberfläche erneut.

#### Sprühtechnik

Latexfarben und Wandfarben auf Ölbasis müssen zum Sprühen mit einer Spritzpistole verdünnt werden. Wählen Sie einen Spritzdruck von 30 psi (2,1 bar) und einen Sprühkegel von 7,6 bis 12,7 cm. Die Verdünnung hängt von der Art der verwendeten Farbe ab.

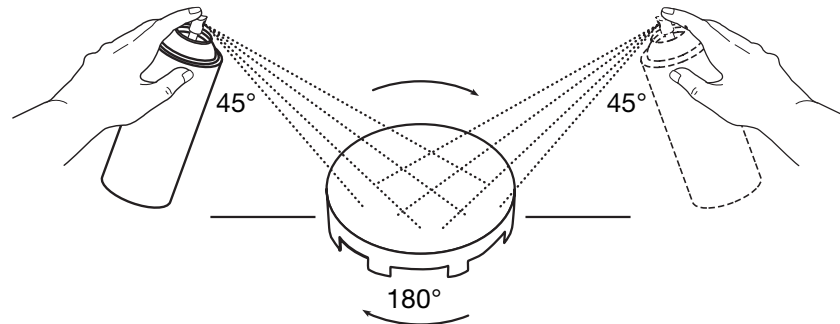
- So verdünnen Sie Latexfarbe auf Vinyl-/Acrylbasis:  
Mischen Sie 6 Teile Farbe mit 3 Teilen Wasser gründlich durch. Geben Sie 1 Teil Ethanol bzw. Spiritus hinzu, und mischen Sie die Flüssigkeit erneut gründlich. Damit werden die Farbpartikel getrennt und Farbansammlungen auf dem Gitter verhindert.
- Wand- und Kraftfahrzeugfarben:  
Derartige Farben sollten nur von Fachleuten mit geeignetem Werkzeug und professioneller Technik verwendet werden. Diese Farben müssen ebenfalls mit Lösemitteln verdünnt werden.
- Lack- und Emaille-Sprühfarben werden in einer Aerosol-Sprühdose verkauft und benötigen keine weitere Verdünnung.



1. Um zu verhindern, dass Schmutz und getrocknete Farbpartikel in die Gittermaschen geblasen werden, hängen Sie das Gitter auf, oder fixieren Sie es auf einem Drahtschirm.
2. Bringen Sie die Farbe in einem Winkel von 45° zur Gitteroberfläche auf. Drehen Sie das Gitter um 180°, und sprühen Sie erneut im Winkel von 45°.

### Abbildung 26

Anwinkeln und Drehen beim zweimaligen Besprühen



**Tip:** Durchstechen Sie Farbansammlungen nicht mit einem scharfen oder spitzen Gegenstand. Dies kann das Gitter beschädigen. Wenn sich Farbe in Gittermaschen sammelt, blasen Sie leicht auf die Stelle, um die Ansammlung zu beseitigen. Bleiben die Farbansammlungen bestehen, reinigen Sie das Gitter unverzüglich mit geeignetem Lösemittel. Stellen Sie vor erneutem Beschichten sicher, dass die Farbe vollständig getrocknet ist.

Die Farbe fühlt sich möglicherweise bereits nach wenigen Minuten trocken an. Wenn jedoch Lösemittel zugesetzt wurden, kann es mehrere Tage dauern, bis das Gitter vollständig getrocknet ist.

### Rahmen anstreichen

Schützen Sie die Lautsprechermembranen mit der Abdeckung im Lieferumfang, bevor Sie beginnen. Sie können die gleichen Werkzeuge verwenden, die auch beim Sprühen oder Rollen von Wand- und Deckenflächen üblich sind.

Sie können zum Beschichten des Lautsprecherrahmens entweder Latexfarben oder Farben auf Ölbasis verwenden. Beide Sorten Farbe können jedoch durch raue Behandlung zerkratzt oder abgeschabt werden.

Achten Sie darauf, dass die Farbe nicht zerläuft oder Nasen bildet. Verwenden Sie gegebenenfalls einen Pinsel, um die Farbe zu verteilen.

## Hilfe für die Installation

In diesem Abschnitt finden Sie Informationen, die für Selbstinstallierer hilfreich sein können.

### Zusätzliche Gegenstände, die Sie brauchen könnten:

- geeignete Kleidung
- Handschuhe, Schutzmasken für Mund und Nase sowie eine Schutzbrille
- Abdeckplane oder ähnliches, um die Umgebung zu schützen
- Kabelzugwerkzeug zum Einziehen der Lautsprecherkabel hinter Gipskartonplatten
- stabiler Hocker oder Leiter zum Installieren der Lautsprecher über Kopfhöhe

## Hilfreiches Zubehör

Für die Installation in einer abgehängten Decke (Platten unter den Deckenträgern) bietet Bose einen Deckenzubehör-Satz für zwei Lautsprecher an. Dieser schützt die Deckenplatte vor dem Gewicht der Lautsprecher. Installationsanweisungen sind im Lieferumfang des Satzes enthalten.

Für die Installation in einer Neukonstruktion bietet Bose einen Einbausatz für zwei Lautsprecher an. Dieser wird eingesetzt, nachdem die Balken eingezogen und bevor die Gipskartonplatten montiert sind. Er hält einen Einbauraum für die Lautsprecher frei und zeigt, wo die Einbauöffnung vorzusehen ist. Darüber hinaus schützt der Einbausatz die Gipskartonplatten, indem er die Auflagefläche für die Halteklemmen verstärkt, die den Lautsprecher in der Wand sichern. Installationsanweisungen sind im Lieferumfang des Satzes enthalten.

Wenden Sie sich an Ihren Bose-Vertragshändler, wenn Sie weitere Informationen wünschen oder Zubehör bestellen möchten. Alternativ können Sie sich auch direkt an Bose wenden. Eine Liste mit Kontaktinformationen finden Sie im Versandkarton.

## Lautsprecherkabel

Schätzen Sie zunächst ab, wie lang die Kabel für jeden Lautsprecher sein müssen, bevor Sie die Kabel zuschneiden. Messen Sie dazu den Abstand vom Receiver bzw. Verstärker bis zum geplanten Installationsort der Lautsprecher. Berechnen Sie etwas Zuschlag ein, falls das Kabel um Ecken oder durch Wände geführt werden muss. Lassen Sie mindestens 36 cm freie Kabellänge durch die Öffnung überstehen, damit Sie die Verbindung zu den Anschlüssen problemlos herstellen können. Wenn Sie die Lautsprecher in der Decke installieren, können Sie das Kabel vom Boden aus einfacher anschließen, wenn Sie ein längeres freies Ende einplanen.

### Empfohlene Kabel.

Querschnitt	Maximale Länge
0,82 mm <sup>2</sup>	6 m
1,3 mm <sup>2</sup>	9 m
2,1 mm <sup>2</sup>	15 m

## Vorbereiten des Lautsprecherkabels

Das Lautsprecherkabel besteht aus zwei isolierten Adern. Die Isolierung einer der Adern ist markiert (durch Streifen, Ringe oder Rippen) und kennzeichnet sie als positive Ader. Die andere Ader ist die negative Ader.

 **Hinweis:** Manchmal ist die Markierung der Adern schwer zu erkennen. Prüfen Sie daher beide Adern sorgfältig.

- Entfernen Sie die Isolierung auf ca. 13 mm Länge an beiden Adern. Sie benötigen für diese Arbeitsschritte **einen Seitenschneider und ein Abisolierwerkzeug**.
- Verdrillen Sie die blanken Aderenden, um zu verhindern, dass lose Drähte benachbarte Anschlussklemmen berühren.

Verbinden Sie jede Ader mit der entsprechenden Anschlussklemme (Plus an Plus(+), Minus an Minus(-)).

## Vor der Montage der Gipskartonplatten

Bei einer nicht fertig gestellten Konstruktion sind einige allgemeine Richtlinien zu beachten.

- Führen Sie die Arbeiten durch, nachdem die Balken und Träger errichtet und die elektrischen Leitungen verlegt worden sind.
- Markieren Sie die Verlegelinie mit einer Schlagschnur über die Balken bzw. die Träger, und betrachten Sie die Bohrstellen aus einiger Entfernung, um sicherzustellen, dass Sie alle Löcher in einer Flucht bohren können.

- Führen Sie Lautsprecherleitungen und elektrische Leitungen nicht durch die gleiche Bohrung und nicht in eine gemeinsame Verbindungsdose.
- Wenn ein kurzer Abschnitt der Leitung parallel zu einer elektrischen Leitung geführt werden muss, halten Sie die Länge dieses Abschnitts möglichst kurz, um Einstrahlungen zu minimieren.
- Verwenden Sie Leerrohre aus Metall oder abgeschirmtes Lautsprecherkabel, wenn Lautsprecher- und elektrische Leitungen über mehr als 3 m parallel geführt werden müssen.
- Befestigen Sie das Kabel mit Kabelschellen oder großen Heftklammern, wenn die Aufhängepunkte des Kabels weiter als 1,4 m auseinander liegen.
- Verwenden Sie Schutzleisten, Kabelkanäle oder Leerrohre, um das Kabel in Dachböden oder in begehbaren Decken vor Beschädigungen zu schützen.

### **Installation in vorverkabeltem Raum**

Die Installation gestaltet sich am einfachsten, wenn der Raum während des Baus bereits vorverkabelt worden ist. In diesem Fall hat der Erbauer Lautsprecherkabel unweit von den vorgesehenen Lautsprecherpositionen verlegt. Idealerweise finden Sie nach dem Aussägen der Montageöffnung für den Lautsprecher das Kabelende unmittelbar vor.

Wenn Sie sich nicht sicher sind, ob der Raum vorverkabelt ist, oder nicht wissen, wo sich die Verkabelung befindet, ziehen Sie die Baupläne für den Raum zu Rate, oder wenden Sie sich an den Erbauer.

**⚠ ACHTUNG:** Es ist wichtig, dass Sie die Leitungsführung kennen, damit die Leitungen nicht durch Bohr- und Sägearbeiten beschädigt werden.

### **Bei bereits bestehenden Wänden**

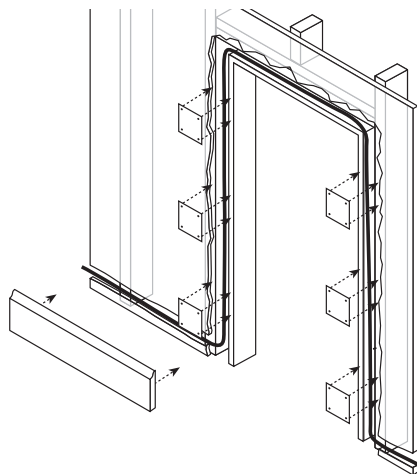
Folgende Überlegungen können die Arbeiten einfacher gestalten.

*Verlegen Sie das Kabel unauffällig außerhalb von Wänden (siehe Abbildung 27):*

- Entlang oder hinter Sockelleisten
- Unter Teppichen (mit speziellem, flachem Lautsprecherkabel für Verlegung unter der Auslegware)
- Hinter Türzargen.

#### **Abbildung 27**

*Verlegen von Kabeln hinter Sockelleisten und Türzargen*



### Vorgehen bei nicht vorverkabelten Räumen

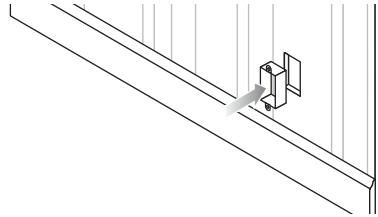
In diesem Fall müssen Sie das Lautsprecherkabel vom Receiver oder Verstärker aus in der Wand bis zum vorgesehenen Installationsbereich führen. Sie müssen am Aufstellort des Receivers bzw. Verstärkers eine Hohlwanddose für das Kabel installieren (Abbildung 28).

Sie müssen allgemeine Arbeits- und Sicherheitsstandards beachten:

- ▲ **WARNUNG:** Stellen Sie sicher, dass sich die gewählte Stelle für Bohrungen eignet. Bohren Sie nicht in Oberflächen, hinter denen sich Gefahren wie verdeckte elektrische Leitungen, Führungen oder Rohrleitungen befinden. Treffen Sie alle erforderlichen Sicherheitsvorkehrungen.
- ▲ **WARNUNG:** Informieren Sie sich über die örtlichen Bauvorschriften und jeweiligen Anforderungen.

#### Abbildung 28

Hohlwanddose für  
Kabelzuführung am  
Receiver/Verstärker



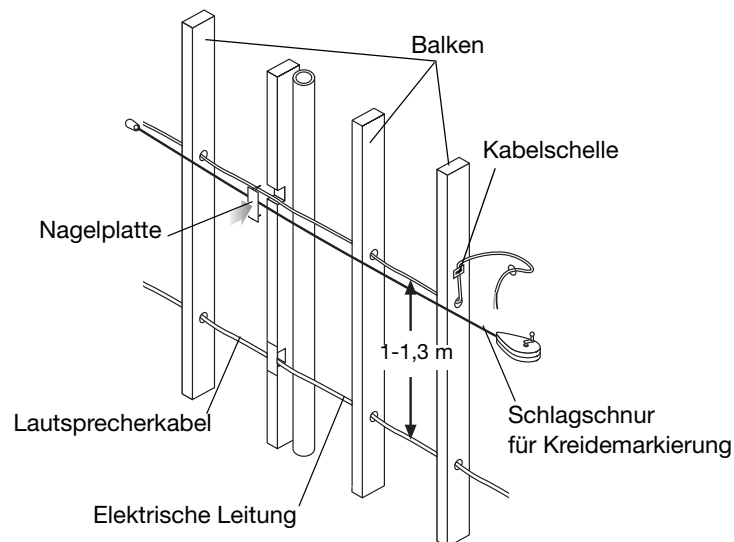
- Verwenden Sie einen Bohrer, dessen Durchmesser für die einzuziehenden Kabel ausreicht.
- Verwenden Sie möglichst einen Spiralbohrer, um mehrere Löcher schneller und einfacher zu bohren.
- Bohren Sie keine tragenden Konstruktionselemente an. Wenden Sie sich im Zweifelsfall an das Bauunternehmen.
- Halten Sie einen Abstand von mindestens 1 m zu elektrischen Leitungen ein, um Netzeinstrahlungen (Brummen) in die Lautsprecherleitungen zu vermeiden. Siehe Abbildung 29 auf Seite 25.
- Durchbohren Sie Balken und Träger mittig, um Schäden durch Nägel zu vermeiden.
- Verwenden Sie Nagelplatten zum Schutz der Leitung, wenn Sie Balken oder Träger einkerben müssen.
- Ordnen Sie die Bohrungen möglichst in einer Flucht an, um das Einziehen des Kabels zu erleichtern.
- Ziehen Sie das Kabel straff genug, um Schlaufen und Biegungen zu vermeiden. Ziehen Sie das Kabel jedoch nicht zu stark an, um mechanische Spannungen zu vermeiden.

So erleichtern Sie die Verlegung des Kabels hinter Wänden:

- Wählen Sie Innenwände zum Verlegen; diese sind üblicherweise nicht mit Dämmstoffen versehen.
- Verlegen Sie das Kabel wenn möglich durch Dachböden oder Kellerräume. Der Zugang zum Kabel wird erleichtert, und Sie können Rohre, elektrische Leitungen und andere Hindernisse besser im Voraus erkennen.
- Verwenden Sie bei Verbundbauweise brandhemmendes Kabel, und führen Sie es durch Heizungs- oder Belüftungskanäle.

**Abbildung 29**

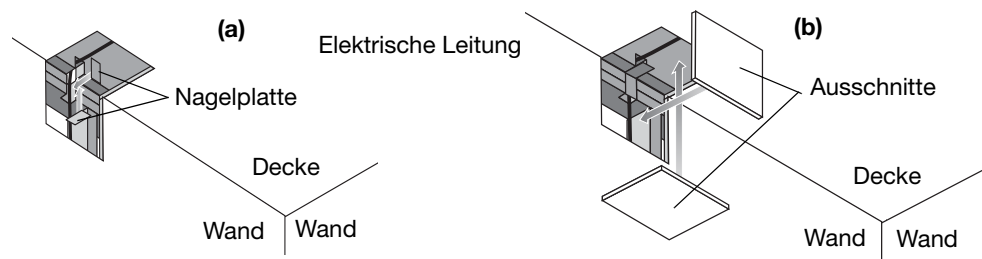
Vorgehensweise für die Leitungsführung durch Balken und Träger



Wenn Sie das Kabel um eine Ecke führen müssen, schneiden Sie in der Ecke auf jeder Seite des Trägers ein rechteckiges Stück der Gipskartonplatte aus. Verwenden Sie den rechteckigen Ausschnitt nach dem Verlegen zum Reparieren der Platte. Durch den Ausschnitt können Sie den Träger einkerben und das Kabel durch die Kerben führen. Decken Sie das Kabel in den Kerben zum Schutz mit Nagelplatten ab (Abbildung 30).

**Abbildung 30**

Kabelverlegung um die Ecke: mit Nagelplatten abdecken (a) und Ausschnitte zum Reparieren verwenden

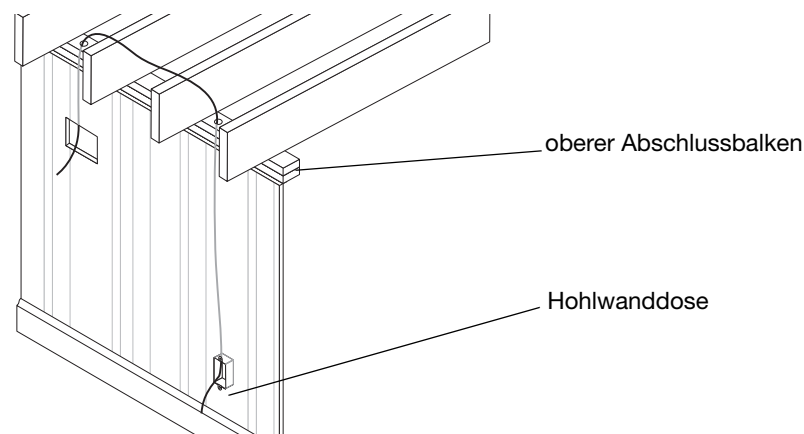


Platzieren Sie die ausgeschnittenen Plattenstücke wieder in den Öffnungen. Fixieren Sie die Ausschnitte mit Fugenband und Spachtelmasse. Nach dem Trocknen können Sie die Flächen schleifen und passend zu den angrenzenden Oberflächen überstreichen.

Üblicherweise wird das Kabel vom Lautsprecher aus in einer Wand oder oberhalb einer Decke zum Dachboden bzw. durch den oberen Abschlussbalken geführt. Dieser liegt waagrecht auf den senkrecht stehenden Balken. Sie können das Kabel dann zum Installationsort der Verbindungsdose führen, die sich am Aufstellort des Receivers/Verstärkers befindet. Bohren Sie an dieser Stelle durch den Abschlussbalken, führen Sie das Kabel durch das Loch und hinunter in die Wand (Abbildung 31).


**Abbildung 31**

Kabelführung nach oben über den Dachboden



### **Installation in Außenwänden**

Wenn Sie die Lautsprecher in einer Außenwand (Wand mit einer Seite im Freien) installieren wollen, werden Sie hinter den Gipskartonplatten möglicherweise Dämmstoffe vorfinden. Dies kann die Installation erschweren; Sie müssen ggf. den verformbaren Dämmstoff beschneiden bzw. wegdrücken. Beim Arbeiten mit Glaswolle-Dämmmatten müssen Sie eine Schutzbrille und Handschuhe tragen.

 **WARNUNG:** Wenn Sie Hinweise darauf haben, dass der Dämmstoff asbesthaltig sein könnte, führen Sie keine Sägearbeiten durch. Wählen Sie stattdessen einen anderen Installationsort für die Lautsprecher.

Durch Dämmstoffe wird es außerdem erschwert, mit einer Probebohrung die Größe des Hohlraums hinter den Gipskartonplatten zu ermitteln. Diese Prüfung ist ratsam, um sicherzustellen, dass ausreichend Freiraum vorhanden ist, bevor ein Loch von der endgültigen Größe ausgesägt wird.

### **Vorsicht beim Sägen in Ständerwerk/Putz**

Bei Wandkonstruktionen aus Ständerwerk und Putz müssen Sie vorsichtig vorgehen, um ein Brechen des Putzes zu vermeiden:

- Zeichnen Sie die Umriss des zu sägenden Lochs, und kleben Sie die Ränder ab. Verwenden Sie ein Messer mit scharfer Klinge, um die Oberfläche entlang der Umriss flach einzuschneiden.
- Brechen Sie dann den Putz von der Innenseite der Umriss her weg, bis das Ständerwerk sichtbar wird.

Sägen Sie anschließend vorsichtig durch das Ständerwerk. Das Arbeiten mit einer Elektrosäbelsäge kann schnell sein, ist aber auch riskant. Verwenden Sie möglichst eine Handsäge, und gehen Sie vorsichtig vor, um den umliegenden Putz nicht zu beschädigen.

### **Besondere Hinweise für Gegenden mit niedrigen Außentemperaturen**

Bei Installationen in Außenwänden kann sich in Gegenden mit Außentemperaturen um den Gefrierpunkt innerhalb der Lautsprecher Kondenswasser sammeln, insbesondere wenn ein Luftbefeuchter verwendet wird. Dieses Problem verstärkt sich bei Montage mit dem Gehäuse nach oben.

Wenn Sie die Lautsprecher in einer Außenwand installieren müssen:

- Vermeiden Sie Installation mit dem Gehäuse nach oben.
- Belassen Sie etwas Dämmstoff zwischen Lautsprecher und Außenwand.
- Setzen Sie insbesondere bei niedrigen Außentemperaturen den Luftbefeuchter nicht mit voller Leistung ein.

## Fehlersuche

Beide Lautsprecher ohne Ton	<ul style="list-style-type: none"> <li>• Prüfen Sie die Einstellungen an Ihrem Receiver/Verstärker. Schlagen Sie in der entsprechenden Bedienungsanleitung nach, welche Einstellungen erforderlich sind.</li> <li>• Wenn Sie die Virtually Invisible® 191 Lautsprecher als zweites Lautsprecherpaar am Receiver/Verstärker betreiben, stellen Sie sicher, dass diese an die „B“-Ausgänge angeschlossen sind und dass die „B“-Ausgänge zur Wiedergabe gewählt wurden.</li> </ul>
Schwache Bässe oder Höhen	<ul style="list-style-type: none"> <li>• Prüfen Sie die Tonbalance-Einstellung am Receiver bzw. Verstärker.</li> <li>• Stellen Sie sicher, dass Receiver/Verstärker und Lautsprecher polrichtig (+ an + und – an –) verbunden sind. Weitere Informationen finden Sie unter “Lautsprecher anschließen“ auf Seite 17.</li> </ul>
Nur ein Lautsprecher mit Ton	<ul style="list-style-type: none"> <li>• Überprüfen Sie den Balanceregler des Receivers/Verstärkers. Stellen Sie sicher, dass sich der Regler in Mittelstellung befindet.</li> <li>• Prüfen Sie die Anschlüsse an dem Lautsprecher, der nicht funktioniert. Vergewissern Sie sich, dass die Kabel unbeschädigt und fest angeschlossen sind. Weitere Informationen finden Sie unter “Lautsprecher anschließen“ auf Seite 17.</li> </ul>
Weiterhin nur ein Lautsprecher mit Ton	<ul style="list-style-type: none"> <li>• Verfolgen Sie das Kabel des zu prüfenden Lautsprechers bis zum Receiver/Verstärker. Entfernen Sie das Kabel vom Ausgang des Receivers/Verstärkers, und verbinden Sie es mit einem anderen Ausgangskanal des Receivers/Verstärkers. <ul style="list-style-type: none"> <li>– Wenn die Wiedergabe nun korrekt erfolgt, liegt das Problem am ursprünglichen Receiver-/Verstärkerkanal, an der Signalquelle des Klangs oder an den Verbindungen der Signalquelle mit dem Receiver/Verstärker. Überprüfen Sie diese möglichen Problemursachen, und stellen Sie sicher, dass alles korrekt funktioniert. Verbinden Sie den Lautsprecher mit dem richtigen Kanal eines funktionierenden Receivers/Verstärkers.</li> <li>– Wenn das Problem fortbesteht, liegt die Ursache im Lautsprecherkabel oder im Lautsprecher selbst. Folgen Sie den weiteren Anweisungen.</li> </ul> </li> <li>• Entfernen Sie das Kabel vom fraglichen Lautsprecher. Schließen Sie es an den zweiten Lautsprecher an. <ul style="list-style-type: none"> <li>– Wenn die Wiedergabe nun korrekt erfolgt, liegt das Problem am ersten Lautsprecher. Wenden Sie sich an einen autorisierten Bose®-Vertragshändler, der sich dann um den Kundendienst kümmert. Alternativ können Sie sich auch direkt an Bose wenden. Eine Liste mit Kontaktinformationen finden Sie im Versandkarton.</li> <li>– Wenn das Problem fortbesteht, liegt die Ursache im Lautsprecherkabel. Folgen Sie den weiteren Anweisungen.</li> </ul> </li> <li>• Prüfen Sie erneut alle Verbindungen, bevor Sie das Lautsprecherkabel austauschen und neu verlegen. Wiederholen Sie die beschriebene Vorgehensweise zum Ermitteln der Fehlerursache.</li> </ul>
Knistern oder Rauschen an einem Lautsprecher	<ul style="list-style-type: none"> <li>• Prüfen Sie die Verbindungen am Lautsprecher und am Receiver/Verstärker. Stellen Sie sicher, dass die Kabel in gutem Zustand sind, dass sie fest angeschlossen sind und dass sich zwischen benachbarten Anschlussklemmen weder Kurzschlüsse noch feindrahtige Leiter befinden. Prüfen Sie außerdem die Verbindungen zwischen Receiver/Verstärker und Signalquelle des Klangs. <ul style="list-style-type: none"> <li>– Wenn das Problem fortbesteht, gehen Sie nach den oben beschriebenen Anweisungen unter <i>Weiterhin nur ein Lautsprecher mit Ton</i> vor.</li> </ul> </li> </ul>

## Kundendienst

Weitere Hilfe zur Problembehandlung erhalten Sie beim Bose-Vertragshändler. Alternativ können Sie sich auch direkt an den Bose®-Kundendienst wenden. Eine Liste mit Kontaktinformationen finden Sie im Versandkarton.

## Garantie

Für Bose Virtually Invisible® 191 Lautsprecher wird eine übertragbare eingeschränkte Garantie von fünf Jahren gewährt. Einzelheiten zu den Garantiebedingungen finden Sie auf der Garantiekarte, die Ihren Lautsprechern beiliegt. Füllen Sie bitte den Informationsteil der Karte aus, trennen Sie ihn ab, und schicken Sie ihn an Bose.

## Zubehör

- Deckenzubehör-Satz für zwei Lautsprecher  
Schützt die Deckenplatte vor dem Gewicht der Lautsprecher. Installationsanweisungen werden mitgeliefert.
- Einbausatz für zwei Lautsprecher  
Hält einen Einbauraum für die Lautsprecher frei und zeigt, wo die Einbauöffnung vorzusehen ist. Wird eingesetzt, nachdem die Balken eingezogen und bevor die Gipskartonplatten montiert sind. Installationsanweisungen werden mitgeliefert.

Wenden Sie sich an Ihren Bose-Vertragshändler, wenn Sie weitere Informationen wünschen oder Zubehörteile bestellen möchten. Alternativ können Sie sich auch telefonisch an Bose wenden. Eine Liste mit Kontaktinformationen finden Sie im Versandkarton.

## Technische Daten

### **Merkmale**

- Virtually Invisible® und Articulated Array® Lautsprecherdesign
- Spezielle Gehäusetechnologie
- Stereo Everywhere® Wiedergabequalität
- Gitter überstreichbar
- Syncom® computergeprüft

### **Kompatibilität**

- Kompatibel mit Verstärkern oder Receivern mit 10–100 W je Kanal an 4 bis 8 Ohm
- 50 W Dauerbelastbarkeit nach IEC an 6 Ohm

### **Driver**

- Zwei (2) 6,4-cm-Vollbereichs-Driver je Lautsprecher

### **Gehäuse**

- Offenes Gehäuse aus schlagzähem Spritzguss-Polystyrol
- Weißer Rahmen und weißes Gitter

### **Abmessungen**

- Je Lautsprecher:  
34,9 cm H x 19,9 cm B x 9,8 cm T)
- Erforderliche Wand- oder Deckenoberfläche je Lautsprecher:  
Rechteckige Lautsprecherfront – 20,5 cm x 14 cm)  
Runde Lautsprecherfront – 26 cm Durchmesser

### **Gewicht**

- 2,0 kg je Lautsprecher





# INFORMACIÓN DE SEGURIDAD

## Advertencias importantes

Lea completamente la guía del usuario antes de comenzar la instalación. A continuación, valore su experiencia con las herramientas y tenga presentes las medidas de seguridad que aparecen en esta guía. Si tiene alguna duda sobre la instalación, consulte al establecimiento donde haya adquirido el producto, a un electricista o a un instalador de audio/vídeo profesional. Explique el servicio que necesita y solicite un presupuesto antes de contratar el servicio de instalación.

**⚠️ ADVERTENCIA:** La instalación debe seguir en cada caso la sección aplicable del Código Eléctrico Nacional, ANSI/NFPA 70, el Código Nacional de Incendios, ANSI/NFPA 72, o ambos si procede. El método de cableado y el compartimento de cables no debe interferir con el funcionamiento del altavoz.

**⚠️ PRECAUCIÓN:** Consulte los códigos de construcción locales antes de comenzar la instalación.

**⚠️ PRECAUCIÓN:** Este producto no se ha diseñado para utilizar en espacios con cámaras de ventilación.

**⚠️ PRECAUCIÓN:** En caso de no seguir las instrucciones que se indican en esta guía, se anulará la garantía de los altavoces.

### **Estas instrucciones sólo son aplicables a construcciones con armazones de madera o similares.**

Cada altavoz necesita 20,5 cm (8<sup>1</sup>/<sub>16</sub> pulg.) de espacio horizontal y 35,6 cm (14 pulg.) de espacio vertical en el interior del muro o del techo, además de un mínimo de 10,5 cm (4<sup>1</sup>/<sub>8</sub> pulg.) de profundidad desde la cara de un tabique con un máximo de 1,9 cm (3<sup>3</sup>/<sub>4</sub> pulg.) de grosor.

Bose recomienda que la instalación de estos altavoces sólo se lleve a cabo en construcciones con armazón de madera o similares en las que haya espacio suficiente entre los perfiles, como las construcciones de 2 x 4 o 2 x 6 de pared o techo. Las instrucciones de esta guía son específicas de ese tipo de instalación.

**🎵 Nota:** El diseño de estos altavoces no permite su instalación en paredes o techos de mampostería.

### Instrucciones de seguridad importantes

1. Lea detenidamente las instrucciones sobre todos los componentes antes de utilizar este producto.
2. Guarde estas instrucciones para consultarlas en el futuro.
3. Respete todas las advertencias que se indican en el producto y en la guías de usuario.
4. Siga todas las instrucciones.
5. No bloquee las aberturas de ventilación, instale según las instrucciones del fabricante.
6. Utilice sólo conexiones y accesorios suministrados por el fabricante.

Los altavoces Virtually Invisible® 191 de Bose® cumplen las especificaciones siguientes:

**CE** Este producto cumple con la directiva sobre compatibilidad electromagnética 89/336/EEC y la directiva sobre límites de tensión 73/23/EEC. Podrá encontrar la declaración de conformidad completa en <[www.bose.com](http://www.bose.com)>.

### Para conservar como referencia

Los números de serie están grabados en la parte posterior central de cada altavoz Virtually Invisible® 191.

Números de serie: \_\_\_\_\_ y \_\_\_\_\_

Nombre del distribuidor: \_\_\_\_\_

Teléfono del distribuidor: \_\_\_\_\_ Fecha de adquisición: \_\_\_\_\_

Se recomienda conservar el recibo de compra y la tarjeta de garantía junto con esta guía del usuario.

<b>INTRODUCCIÓN</b>	<b>4</b>
Antes de comenzar	4
Las cualidades que hacen mejores a estos altavoces son también las que los hacen diferentes	4
<b>PREPARACIÓN</b>	<b>5</b>
Desembalaje	5
Otros equipos y herramientas necesarios	5
Ubicación de los altavoces	6
Tres consejos para determinar la ubicación de los altavoces	6
Forma de los altavoces	7
Tipos de paredes y su tratamiento	7
Para instalación en paredes	7
Para instalación en techos	8
<b>PROCEDIMIENTO DE INSTALACIÓN</b>	<b>9</b>
Antes de realizar orificios	9
Realice un orificio de prueba para comprobar el espacio de la pared	9
Uso de la plantilla	9
Realización del orificio de prueba	10
Comprobación del espacio detrás del orificio	11
Comprobación del orificio de prueba	13
Reparación de un orificio de prueba	13
Preparación de la pared para introducir el altavoz	13
Medida y marca del orificio que va a realizar	13
Realización del corte para el orificio del altavoz	14
Reorientación o cambio de los marcos de los altavoces	15
Reorientación del logotipo del marco rectangular	15
Instalación de los marcos redondos de los altavoces	15
Introduzca el altavoz y conéctelo	15
Introduzca el altavoz en el hueco	16
Realice las conexiones del altavoz	17
Compruebe que el altavoz funciona	17
Introduzca completamente el altavoz en la pared	17
Fijación del altavoz en la pared	18
Fijación de los marcos rectangulares	19
Fijación de las rejillas redondas	19
<b>REFERENCIA</b>	<b>20</b>
Pintado de los altavoces	20
Pintado de la rejilla	20
Pintado del marco	21
Ayuda para usuarios que instalan por primera vez	21
Elementos opcionales que le ayudarán a realizar la tarea:	21
Accesorios que pueden ser de utilidad	22
Uso del cable del altavoz	22
Preparación del cable del altavoz	22
Antes de colocar el panel de yeso	22
Instalación en una habitación con preinstalación para cables	23
Si las paredes ya están acabadas	23
Qué hacer cuando la habitación no está preinstalada para cables	24
Instalación en una pared exterior	26
Precaución al cortar listones y yeso	26
Consideraciones especiales en regiones de clima frío	26
Resolución de problemas	27
Servicio al cliente	27
Período de garantía	27
Accesorios	28
Información técnica	28

# INTRODUCCIÓN

## Antes de comenzar

**PRECAUCIÓN:** Lea detenidamente esta guía antes de realizar ningún corte. Son muchos los factores que se han de tener en cuenta antes de realizar este tipo de instalación.

Muchas gracias por elegir los altavoces Virtually Invisible® 191 de Bose®. Su ingeniería innovadora y su diseño avanzado hacen que los altavoces Bose ofrezcan el rendimiento de calidad propio de los equipos de altas prestaciones de Bose a pesar de sus reducidas dimensiones.

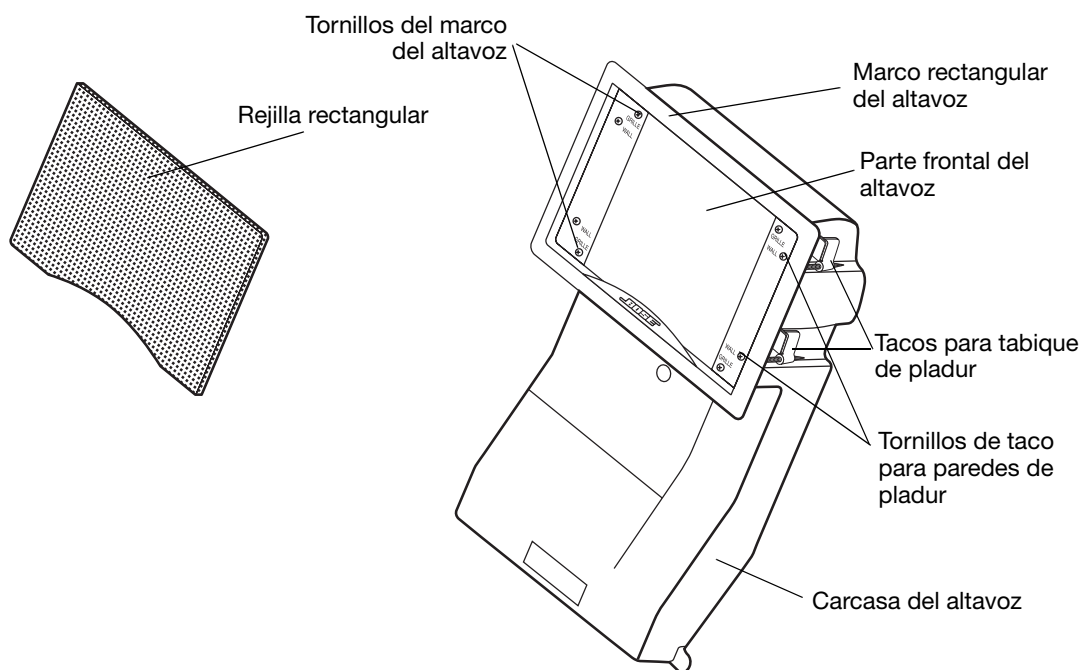
Los altavoces Virtually Invisible® 191 utilizan la configuración de altavoces Articulated Array®, que brinda un tipo de sonido nítido y realista y una cobertura uniforme conocida como rendimiento de altavoces Stereo Everywhere® de Bose.

## Las cualidades que hacen mejores a estos altavoces son también las que los hacen diferentes

Una vez instalados, los altavoces Virtually Invisible® 191 ocupan muy poco espacio en la pared. Pero lo que no resulta tan evidente es el innovador diseño de la carcasa del altavoz, como se muestra en la Figura 1. Este diseño garantiza un excelente rendimiento, independientemente de dónde se instalen los altavoces o de cuáles sean las dimensiones y la forma de la pared. También evita que el sonido se filtre a otras habitaciones, un problema muy generalizado cuando los altavoces que se instalan responden a un diseño más convencional.

**Figura 1**

Carcasa del altavoz con el marco rectangular incluido



## Desembalaje

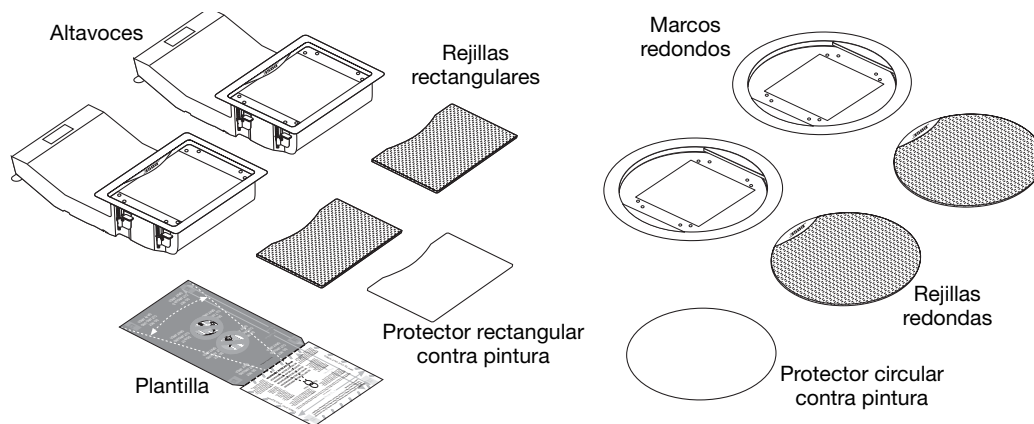
Desembale los altavoces con cuidado. Compruebe que el sistema incluye todos los componentes indicados en la Figura 2. Si algún componente del par de altavoces parece estar dañado, no lo utilice. Comuníquese de inmediato a Bose o a un distribuidor Bose autorizado. Para obtener información sobre contactos de Bose, consulte la página de direcciones que viene con la caja.

🎵 **Nota:** Este es un buen momento para anotar en la tarjeta de garantía y en el apartado "Para conservar como referencia" de la página 2 los números de serie que se encuentran en la parte posterior de cada altavoz.

**Figura 2**

El paquete contiene:

- 2 altavoces, con los marcos rectangulares
- 2 rejillas rectangulares
- 1 protector rectangular contra pintura
- 1 plantilla
- 2 marcos redondos
- 2 rejillas redondas
- 1 protector circular contra pintura



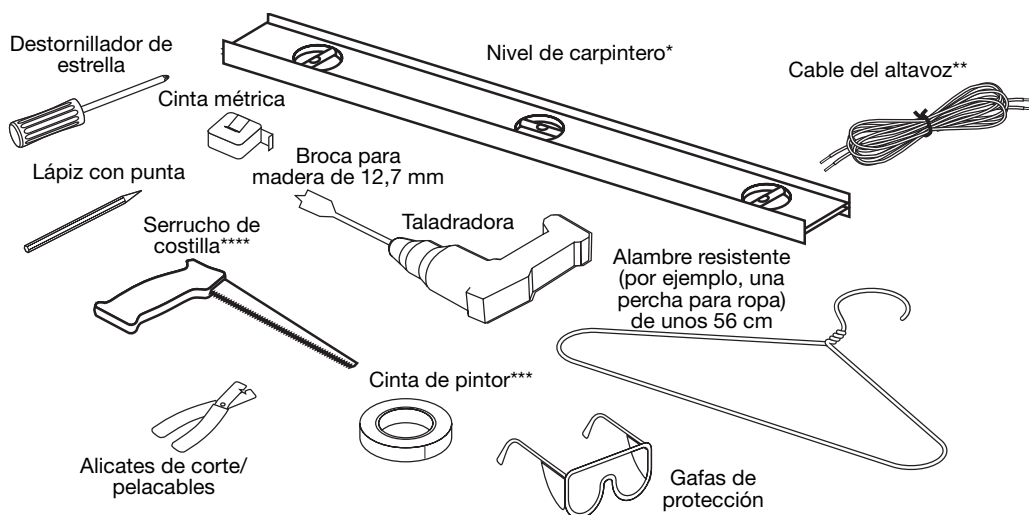
## Otros equipos y herramientas necesarios

Las piezas necesarias para colgar los altavoces de la pared o del techo se suministran con los altavoces, pero necesitará otros equipos y herramientas para instalar los altavoces (Figura 3).

Consulte "Ayuda para usuarios que instalan por primera vez" en la página 21 si desea obtener información adicional sobre el uso de herramientas, materiales e información para realizar el trabajo usted mismo.

**Figura 3**

Elementos necesarios para instalar los altavoces según las instrucciones



\* Se recomienda el uso de un nivel de carpintero cuando los altavoces se vayan a instalar en una pared.

\*\* Las especificaciones del cable del altavoz se suministran en la sección Referencia de esta guía.

\*\*\* Cinta de pintor o cualquier cinta con adhesivo ligero que no dañe la pintura o el papel de las paredes.

\*\*\*\* Herramienta para cortar - Para tabiques: un serrucho de costilla, una sierra para tabiques, una herramienta rotatoria de corte o una sierra de vaivén.  
Para listones y yeso: una sierra de sable o una herramienta rotatoria de corte.

## Ubicación de los altavoces

El diseño de los nuevos altavoces Virtually Invisible® 191 hace que sean adecuados tanto para instalarlos en una pared como en el techo. La ubicación elegida determinará el procedimiento empleado para instalarlos. Tenga en cuenta opciones siguientes y, a continuación, siga las instrucciones más adecuadas en cada caso:

- ¿Qué uso se va a dar a los altavoces?
  - como reproductores de sonido en estéreo orientado hacia una habitación o un salón de estar, o
  - como altavoces frontales de cine en casa o altavoces traseros de sonido envolvente
- ¿En qué superficie se van a instalar?
  - una pared interior (adyacente a otra habitación) o exterior (adyacente al exterior de la casa) o en el techo
  - en una construcción acabada (de listones y yeso o de panel de yeso) o reciente

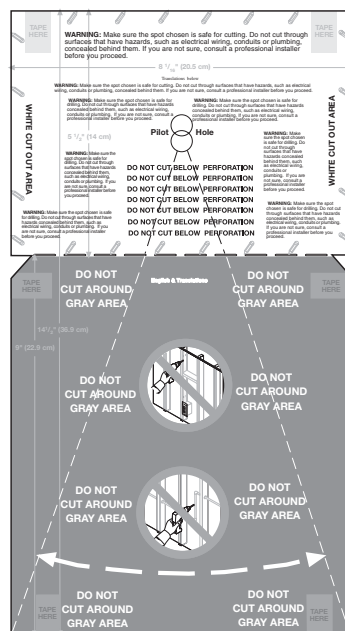
### Tres consejos para determinar la ubicación de los altavoces

1. La plantilla se puede colocar contra una pared o contra el techo para determinar la cantidad de espacio que necesitarán los altavoces. La carcasa de cada altavoz se encuentra *dentro de la pared o del techo*, tal y como se muestra en la zona gris NO CORTAR de la plantilla (Figura 4). En una pared, el altavoz se puede insertar hacia arriba o hacia abajo y situarse por encima o por debajo de la rejilla.
2. Un buscaperfiles sirve para asegurarse de que el agujero del altavoz dista al menos 12 cm (4<sup>3</sup>/<sub>4</sub>pulg.) de un perfil o de una viga.
3. Se debe evitar todo tipo de cableado, conductos de ventilación y tuberías del interior de las paredes (Figura 5 en la página 7). Consulte con un profesional si necesita instrucciones para ubicar estos conductos o para evitarlos.

🎵 **Nota:** En los climas fríos en los que se utilizan humidificadores, no se deben insertar los altavoces boca abajo en las paredes exteriores para evitar así problemas de condensación.

**Figura 4**

Plantilla



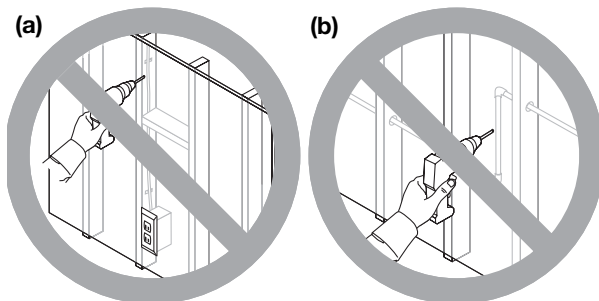
**CORTAR**  
La extensa zona blanca representa el espacio que hay que cortar para la parte frontal del altavoz.

**NO CORTAR**  
La extensa zona gris representa el espacio reservado detrás de la pared para la carcasa del altavoz.

**⚠ PRECAUCIÓN:** Una vez instalado el altavoz, la carcasa no se verá por detrás de la pared o del techo. No pique, corte ni perforo en esa superficie. Si se perfora la carcasa del altavoz con una herramienta, éste quedará seriamente dañado.

**Figura 5**

Medidas de precaución frente a peligros imprevistos, como (a) cables eléctricos o (b) tuberías, tras la superficie del panel de yeso.



### Forma de los altavoces

Tiene la posibilidad de elegir si desea que la parte frontal del altavoz, es decir, la parte que queda a la vista una vez instalado, sea rectangular o redonda. Es aconsejable tener en cuenta cuál es la forma más adecuada para el lugar donde se ha decidido instalar los altavoces. La forma rectangular suele ser la más adecuada para paredes y la forma redonda, para techos.

Es sencillo retirar los marcos rectangulares y sustituirlos por marcos redondos. Puede sustituirlos ahora o esperar hasta que esté seguro de cuál será el lugar definitivo de cada altavoz. **En cualquier caso, el cambio se debe realizar siempre antes de colocar los altavoces en la pared o en el techo.** El borde del marco del altavoz evita que éste caiga por detrás de la pared y no se pueda recoger. No quite el marco una vez que el altavoz esté sujeto a la pared. Consulte en “Reorientación o cambio de los marcos de los altavoces” en la página 15 las instrucciones para retirar y sustituir marcos de altavoz.

### Tipos de paredes y su tratamiento

Si desea instalar los altavoces en una habitación ya construida que disponga de preinstalación para cables con paredes sobre perfiles de 2 x 4 cubiertas con panel de yeso, la ubicación de los altavoces ya estará determinada. Consulte “Procedimiento de instalación” en la página 9. Estas mismas instrucciones son aplicables para la instalación de los altavoces, ya sea con la rejilla rectangular o con la redonda, tanto en una pared como en el techo.

Si las condiciones de instalación no son las mencionadas, siga la información que se adjunta a continuación para determinar la correcta ubicación de los altavoces. Éstas son las directrices que se deben tener presentes para decidir dónde colocar las rejillas de los altavoces:

**⚠ PRECAUCIÓN:** No las instale cerca de fuentes de calor, tales como salidas de aire caliente, lámparas halógenas, registros, hornos u otros aparatos (también amplificadores) que generen calor.

### Para instalación en paredes

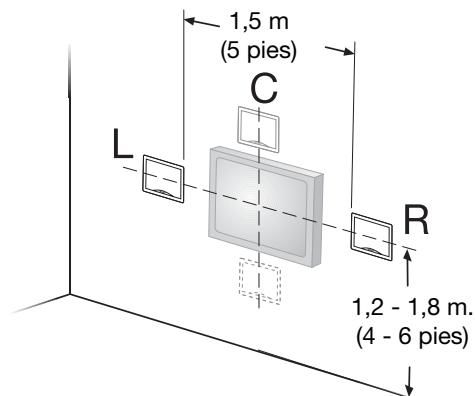
- La distancia entre ambos altavoces debe ser, al menos, de 1,5 m (5 pies).
- Los altavoces situados en una pared interior, tanto los destinados a proporcionar sonido estéreo orientado hacia una sala como los que facilitan un sonido envolvente de cine en casa desde la parte posterior de la sala, se deben instalar de tal modo que las dos rejillas de altavoces disten del suelo entre 1,2 m y 1,8 m (4 y 6 pies) para un mejor rendimiento.
- Los altavoces frontales de cine en casa colocados en una pared interior deben instalar alineados horizontalmente con el centro de la pantalla (Figura 6 en la página 8).

## PREPARACIÓN

- Coloque el altavoz del canal central instalado en la pared encima o debajo de la pantalla de vídeo, centrado entre los altavoces frontales izquierdo y derecho, pero no centrado horizontalmente. Si se trazara una línea entre los altavoces frontales izquierdo, central y derecho, se obtendría la forma de una "V".
- Los altavoces no pueden estar ladeados en la pared; la carcasa tiene que estar por encima o por debajo de la parte frontal del altavoz.

**Figura 6**

Orientación en la pared de los altavoces para el cine en casa frontal

**Para instalación en techos**

Siga estas directrices para colocar los altavoces en el techo. La dirección de las carcasas dependerá de la colocación de las vigas del techo. Las carcasas de los altavoces deberán ir paralelas a las vigas del techo.

Para obtener el mejor rendimiento estéreo con instalación en techo:

- los altavoces deberán colocarse a la misma distancia a ambos lados del área de audición principal.

Para obtener el mejor rendimiento de cine en casa con instalación en techo:

- Coloque los altavoces frontales derecho e izquierdo a la misma distancia a derecha e izquierda sobre la pantalla de vídeo.
- Coloque el altavoz central sobre el centro de la pantalla de vídeo.
- Coloque los altavoces de sonido envolvente frente a la pared de la pantalla de vídeo, separados uniformemente.



## Antes de realizar orificios

Asegúrese de leer con atención la información de la sección "Preparación", a partir de la página 5, de modo que pueda llevar a cabo el proceso con seguridad.

**⚠ PRECAUCIÓN:** Si no está seguro de poder completar este proceso, póngase en contacto con un instalador profesional.

- ✓ Las marcas pequeñas de verificación indican las herramientas necesarias para la siguiente fase del proceso. Las **sugerencias** proporcionan consejos para facilitar el trabajo y para evitar errores.

## Realice un orificio de prueba para comprobar el espacio de la pared

Antes de realizar un corte grande considerable en el panel de yeso, compruebe el espacio existente detrás de la pared o el techo mediante un pequeño orificio de prueba. El tiempo que pierda ahora puede servir para que la instalación sea satisfactoria.

**🎵 Nota:** Si va a trabajar en un muro exterior con aislamiento, puede que resulte difícil hacer un orificio de prueba. Si es éste el caso, sátese este paso y vaya directamente a la sección "Preparación de la pared para introducir el altavoz" en la página 13. Haga el orificio únicamente si está seguro de que la capa de aislamiento es maleable y de que no hay nada detrás de la pared que pueda impedir la instalación.

**⚠ ADVERTENCIA:** Si cree que el aislamiento situado detrás de la pared puede estar compuesto de amianto, no taladre ni realice cortes en esa pared. Busque otro lugar para instalar los altavoces.

### Uso de la plantilla

- ✓ Necesitará un **lápiz afilado** para realizar este paso.

La plantilla muestra dónde deben taladrarse dos orificios de prueba de 13 mm ( $\frac{1}{2}$  pulg.) antes de realizar una apertura más grande para el altavoz completo. A continuación podrá comprobar si el espacio que hay detrás del orificio es suficiente para el altavoz y si hay materiales que impiden la instalación.

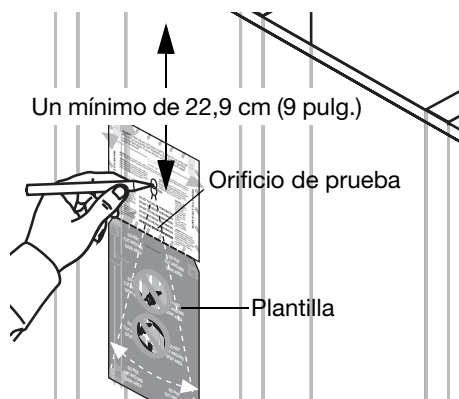
Utilice las líneas de puntos del ángulo que va desde el orificio de prueba hasta las esquinas inferiores de la zona de NO CORTAR de la plantilla. Utilícelas como guía para comprobar que la zona que se encuentra debajo del orificio de prueba es lo suficientemente amplia para que quepa el altavoz.

### Colocación de la plantilla

1. Seleccione un punto de la pared o el techo en donde desee situar el centro de la rejilla del altavoz. Deje espacio suficiente para el altavoz encima y debajo del orificio de prueba. Puede que necesite esa segunda opción si encuentra algún impedimento en el espacio situado debajo del orificio.
2. Centre los círculos del orificio de prueba en el punto seleccionado mientras sujeta la plantilla en la pared.
3. Utilice un lápiz para marcar el interior de los círculos (Figura 7).
4. Retire la plantilla.

**Figura 7**

Preparación para cortar un orificio de prueba



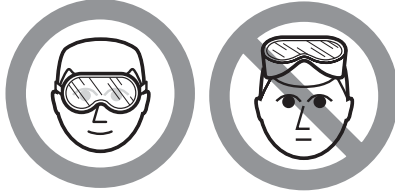
### Realización del orificio de prueba

- ✓ Necesitará broca para madera y una taladradora u otra herramienta rotatoria de corte para este paso.

▲ **ADVERTENCIA:** Utilice protección para los ojos y asegúrese de que cumple todas las precauciones de seguridad al utilizar el taladro o la herramienta rotatoria (Figura 8).

#### Figura 8

Procure no utilizar el taladro sin protegerse los ojos



▲ **ADVERTENCIA:** Asegúrese de que el lugar que ha elegido para la instalación es seguro. No corte las superficies que puedan entrañar algún peligro oculto, como cables, tubos o cañerías. No olvide respetar el resto de medidas de seguridad:

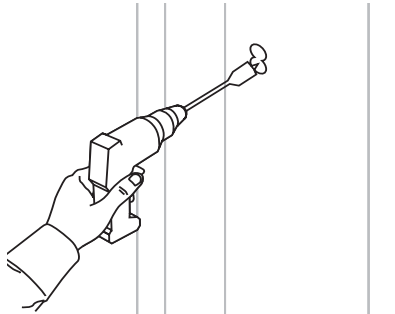
1. Centre la punta de la broca en el círculo superior que ha dibujado.
2. Taladre completamente el panel de yeso para hacer un orificio de prueba.

♪ **Nota:** Si descubre que la pared tiene aislamiento, puede que sea difícil o imposible mirar detrás de ella a través del orificio de prueba. Si está seguro de que la ubicación que ha elegido no entraña ningún peligro ni tiene impedimentos, puede cortar el orificio para el altavoz de todas maneras, retirar todo el aislamiento maleable y seguir desde ahí. Consulte "Preparación de la pared para introducir el altavoz" en la página 13.

3. Realice el segundo orificio justo debajo del primero (Figura 9). Esto alargará el orificio lo suficiente para que pueda comprobar el espacio.

#### Figura 9

Uso de una broca de madera con la taladradora para realizar el orificio de prueba



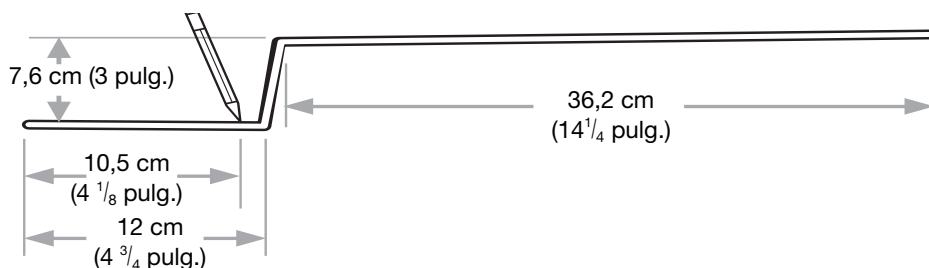
### Comprobación del espacio detrás del orificio

**Sugerencia:** Necesitará una **cinta métrica** y un **alambre resistente** (por ejemplo, una percha estirada) de 55,9 cm (22 pulg.) de longitud para este paso.

1. Doble el alambre tal y como se indica en la Figura 10.

**Figura 10**

Alambre resistente de 55,9 cm (22 pulg.) de longitud doblado por dos zonas



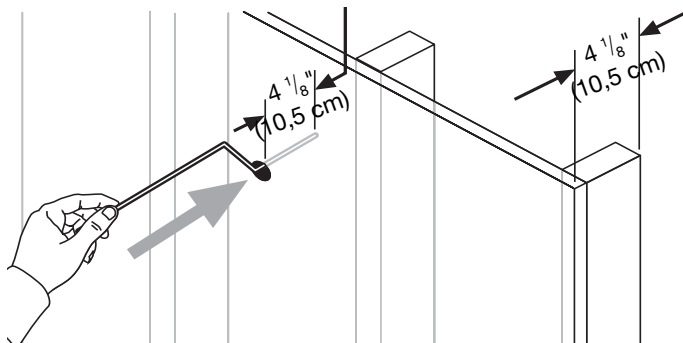
**Sugerencia:** Para conseguir una mayor precisión, haga el primer doblez un poco más largo, mida de nuevo y corte la parte sobrante de ese extremo.

**ADVERTENCIA:** Si existe alguna posibilidad de que haya cables eléctricos en la zona situada detrás de la pared, envuelva el alambre con cinta aislante para evitar que se produzcan descargas eléctricas.

2. Haga una marca a los 10,5 cm (4<sup>1</sup>/<sub>8</sub> pulg.) del extremo más corto a modo de indicador de la profundidad adecuada que debe tener el orificio.
3. Utilice el alambre doblado para comprobar si hay suficiente profundidad: Introduzca el extremo corto del alambre en el orificio y vuélvalo a sacar (Figura 11). Sondée para comprobar que nada impide llegar a una profundidad de 10,5 cm (4<sup>1</sup>/<sub>8</sub> pulg.). Esto indica que el espacio que hay detrás de la pared dispone de la profundidad suficiente para instalar el altavoz.

**Figura 11**

Comprobación de la profundidad del espacio para la altura del altavoz

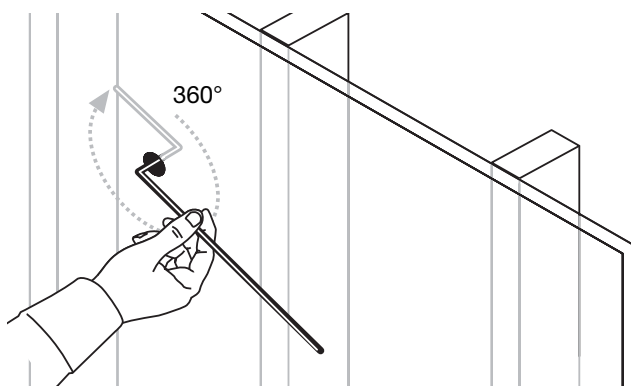


- Si el alambre puede introducirse sin problemas, continúe en el paso 4.
  - Si no es posible introducir el alambre hasta la marca de los 10,5 cm (4<sup>1</sup>/<sub>8</sub> pulg.), necesitará taladrar otro orificio de prueba en cualquier otro lugar. A continuación, repita los pasos 1 a 3.
4. Utilice de nuevo el alambre para comprobar la anchura: Con el extremo corto dentro del orificio, vuelva a colocarlo (del modo que se indica en la Figura 12 en la página 12) y gírelo 360° dentro del orificio. Esto servirá para comprobar si dentro de la pared hay espacio suficiente a ambos lados para que quepa el altavoz.

## PROCEDIMIENTO DE INSTALACIÓN

**Figura 12**

Comprobación del espacio para la anchura del altavoz



- Si el cable da el giro de 360° sin problemas, continúe en el paso 5.
  - Si no puede girar el cable, deberá taladrar otro orificio de prueba en cualquier otro lugar. A continuación, repita los pasos 3 y 4.
5. Utilice el alambre doblado para comprobar si hay espacio suficiente debajo del orificio: Sujete el extremo corto del cable e introduzca el extremo largo en la pared o en el techo (Figura 13a).

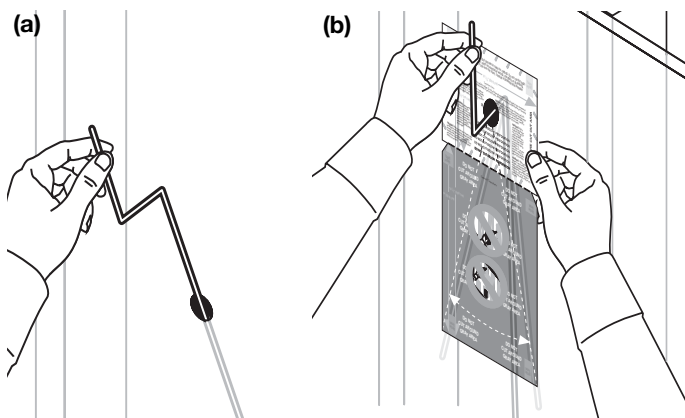
**Sugerencia:** Puede utilizar la plantilla en este paso, tal y como se muestra en la Figura 13b.

- Con el extremo largo del alambre en el orificio, deslícelo hacia abajo tal y como se muestra en la plantilla. Esto servirá para indicar si el espacio de la pared o el techo dispone de suficiente anchura y profundidad.

**Sugerencia:** Cuando compruebe la longitud, mueva el alambre cerca de la pared o el techo y, a continuación, vuelva a moverlo hacia atrás (como en la Figura 13a).

**Figura 13**

Introducción del extremo largo del alambre (a) y comprobación de la longitud (b)



- Si el alambre entra y puede moverse de lado a lado en el extremo inferior de la pared sin problemas, continúe en el paso siguiente: “Preparación de la pared para introducir el altavoz” en la página 13.
- Si encuentra algún impedimento en la parte inferior del orificio de prueba y está trabajando en una pared interior, introduzca el alambre hacia la parte superior. Si no encuentra ningún impedimento en la parte superior del orificio de prueba, puede instalar el altavoz más arriba. Si está trabajando en una pared exterior, no se recomienda instalar el altavoz al revés. En este caso, si encuentra algún impedimento, deberá taladrar un nuevo orificio de prueba en cualquier otro lugar. A continuación, repita los pasos 3, 4 y 5.

### Comprobación del orificio de prueba

Si finalmente ha comprobado que esta ubicación es adecuada para albergar un altavoz, lleve a cabo el mismo proceso para el segundo altavoz. Consulte la sección “Realice un orificio de prueba para comprobar el espacio de la pared” en la página 9 y repita los pasos.

Si la ubicación para el primer altavoz es adecuada, pero la segunda no lo es, puede que desee cambiar de lugar los dos altavoces.

### Reparación de un orificio de prueba

Para tapar un orificio de prueba, rellénelo con masilla. Deje que la masilla se seque para, a continuación, añadir más cantidad hasta que el lugar donde se encontraba el orificio sobresalga ligeramente. Cuando esté casi seco, lije la zona para alisar la pared.

## Preparación de la pared para introducir el altavoz

Siga con atención los pasos que se indican a continuación para garantizar un buen resultado final.

**⚠ PRECAUCIÓN:** Ahora es un buen momento para reconsiderar si se siente seguro para realizar la instalación. Si tiene alguna duda sobre cómo cortar o instalar los cables detrás de la pared, es preferible que se detenga aquí. Póngase en contacto con un instalador profesional, descríbele el trabajo y pida un presupuesto antes de contratar sus servicios.

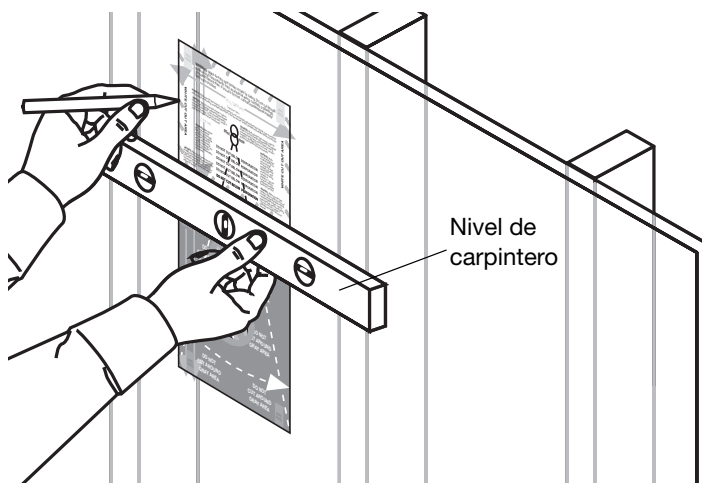
**⚠ ADVERTENCIA:** Si cree que el aislamiento de la pared puede contener amianto, no corte la pared. Busque otro lugar para instalar los altavoces.

### Medida y marca del orificio que va a realizar

- ✓ Necesitará un nivel de carpintero, un lápiz afilado y cinta adhesiva (opcional) con la plantilla para completar este paso.
1. Coloque la plantilla con cuidado encima del orificio de prueba en el que desea instalar uno de los altavoces.
  2. Asegúrese de que la plantilla está nivelada (Figura 14).

**Figura 14**

Es necesario asegurarse de que la plantilla está derecha



3. Pegue o sujete la plantilla firmemente en su sitio mientras dibuja los laterales y la parte superior de la parte “WHITE CUT OUT AREA” (superficie blanca recortable).

## PROCEDIMIENTO DE INSTALACIÓN

4. Dibuje una línea de puntos con ayuda de las ranuras de la parte inferior de la "WHITE CUT OUT AREA", para determinar el lugar de la parte inferior del orificio.
5. Retire la plantilla.

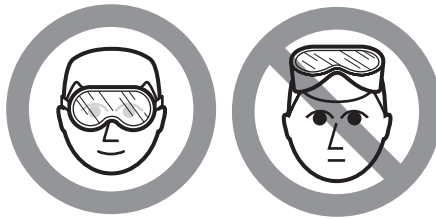
**Sugerencia:** Si es necesario, utilice cinta adhesiva para sujetar la plantilla en su sitio (consulte la zona de la plantilla "TAPE HERE" (pegar aquí). A continuación, recorra con el lápiz todo el borde de la plantilla, excepto donde haya cinta adhesiva.

### Realización del corte para el orificio del altavoz

- ✓ Para este paso, necesitará una sierra pequeña u otra herramienta especial para cortar (por ejemplo, un serrucho de costilla o una sierra para tabiques).
- ▲ **ADVERTENCIA:** Utilice protección para los ojos (Figura 15) y asegúrese de que cumple todas las precauciones de seguridad al utilizar la sierra o la herramienta para cortar.

#### Figura 15

Procure no utilizar el taladro sin protegerse los ojos



1. Lo mejor es que taladre orificios en cada esquina de la línea rectangular trazada antes de empezar a cortar. Introduzca la hoja en el orificio de prueba y corte hacia abajo y en ángulo hasta que llegue a la línea de lápiz.

**Sugerencia:** Aunque resulta importante cortar con cuidado, recuerde que el marco del altavoz tapará unos 0,6 cm ( $\frac{1}{4}$  pulg.) de pared cuando el altavoz esté instalado. De este modo, los fallos pequeños quedarán ocultos.

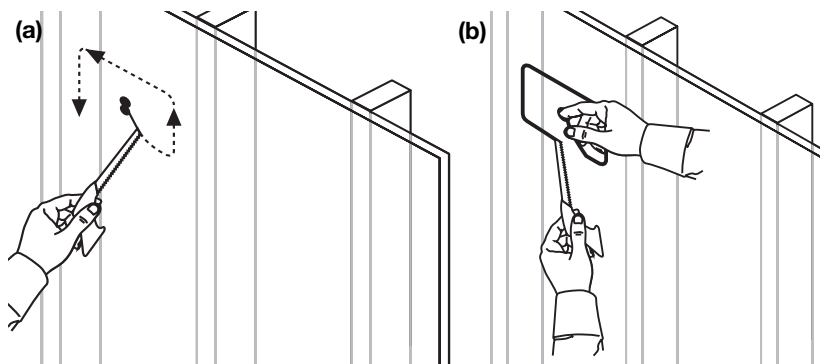
2. Corte sólo tres de los cuatro lados de la línea exterior que ha trazado, (Figura 16a).

▲ **ADVERTENCIA:** Mantenga los dedos alejados de la hoja de la sierra.

3. Introduzca un dedo en el orificio de prueba para evitar que el panel caiga detrás de la pared y corte el lateral que queda (Figura 16b).
4. Con el dedo, empuje la pieza que acaba de cortar.

#### Figura 16

Realización del corte por la línea exterior (a) y empleo de un dedo para sujetar la pieza cortada (b)



**Si encuentra aislamiento en el interior de la pared**

Es posible encontrar una capa de aislamiento en un muro exterior y, a veces, en las paredes interiores. Si el aislamiento que encuentra es maleable, puede cortarlo y retirar la parte que necesite por encima y por debajo del orificio para que quepa el altavoz. Retirar otros tipos de aislamiento puede resultar difícil, e incluso peligroso.

**⚠ PRECAUCIÓN:** Tenga cuidado con las uñas cuando intente quitar el aislamiento.

**⚠ PRECAUCIÓN:** Utilice guantes y protección para la boca, nariz y ojos antes de tocar el aislamiento de fibra de vidrio.

**Reorientación o cambio de los marcos de los altavoces****Reorientación del logotipo del marco rectangular**

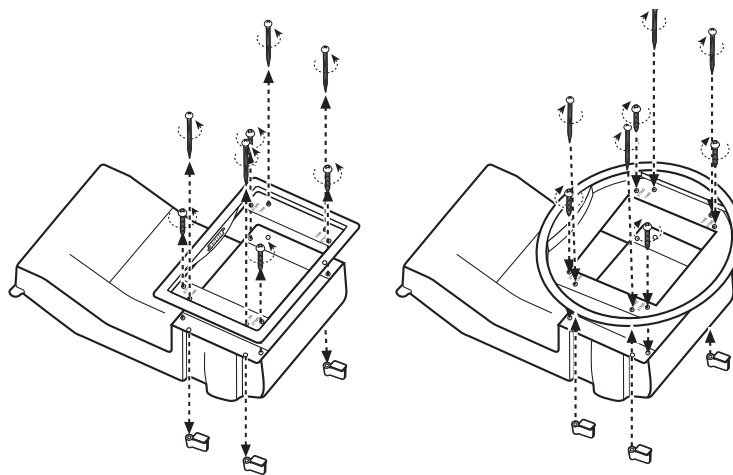
Si desea montar un altavoz con marco rectangular boca abajo por falta de espacio en la parte inferior del orificio, deberá reorientar bien el logotipo antes de introducirlo en la pared.

Para ello, retire el marco del altavoz, gírelo 180° y vuelva a colocar el marco. Hay cuatro tornillos que sujetan el marco, con la etiqueta "GRILLE" (rejilla). (Consulte la Figura 17 a continuación y la Figura 23 en la página 18). No deben confundirse con los tornillos de taco para tabique de pladur, con la etiqueta "WALL" (pared).

No inserte el altavoz en la pared sin utilizar un marco. El marco evita que el altavoz caiga dentro de la pared.

**Figura 17**

Sustitución del marco rectangular por el redondo

**Instalación de los marcos redondos de los altavoces**

Si desea utilizar marcos redondos, instálelos ahora retirando los cuatro tornillos que sujetan cada marco y utilizándolos para fijar los marcos redondos (Figura 17). El logotipo se encuentra en la rejilla redonda del altavoz, que se colocará más tarde.

**Introduzca el altavoz y conéctelo**

✓ Para llevar a cabo este paso, necesitará **un destornillador de estrella y cinta adhesiva**.

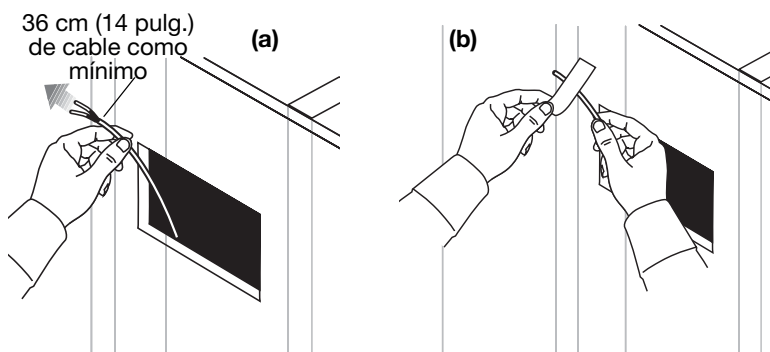
Si la pared tiene la preinstalación de los cables, consulte la sección "Qué hacer cuando la habitación no está preinstalada para cables" en la página 24. Cuando el cable esté dentro del orificio que ha cortado, siga el proceso que se indica a continuación:

1. Desde dentro del orificio del altavoz, saque unos 36 cm (14 pulg.) del cable preinstalado del altavoz (Figura 18 en la página 16).

## PROCEDIMIENTO DE INSTALACIÓN

**Figura 18**

Extracción del cable hacia arriba y hacia afuera, a la izquierda (a) y fijación con cinta (b).



- Utilice cinta para fijar temporalmente el extremo suelto del cable por encima y a la izquierda del orificio (Figura 18b). De este modo, el cable se mantiene fuera hasta que haya introducido parte del altavoz en la pared y esté preparado para realizar las conexiones.

**Introduzca el altavoz en el hueco**

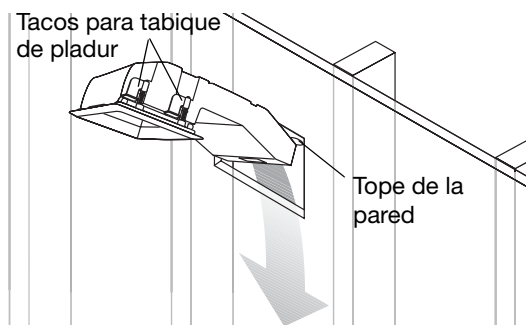
Antes de seguir con las instrucciones, compruebe que los tacos de los tabiques de pladur (dos en cada lado) se encuentran bien sujetos detrás del marco del altavoz. Si lo están, presiónelos hacia atrás para que el altavoz encaje en el hueco.

**Sugerencia:** Afloje los tornillos de la parte superior izquierda del altavoz antes de introducir el altavoz en el hueco para que resulte más fácil realizar las conexiones.

- Utilice las dos manos para sujetar el altavoz y gírelo un poco, de modo que quede en diagonal con respecto al hueco. Esto servirá para tapan la pared.
- Introduzca en el hueco la parte inferior del altavoz y deslícelo hacia abajo o hacia arriba, dependiendo de la dirección del hueco (Figura 19).

**Figura 19**

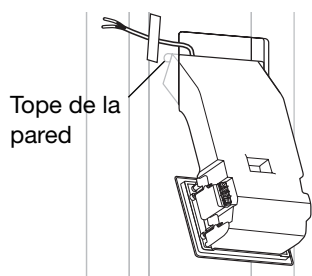
Introducción parcial del altavoz rectangular o redondo



- Mantenga el altavoz sin introducirlo totalmente apoyado en el tope de la pared para evitar que se caiga (Figura 20). Esto permite acceder rápidamente a los terminales de conexión situados en la parte superior izquierda del altavoz.

**Figura 20**

Altavoz sujeto en el tope de la pared





### Realice las conexiones del altavoz

- ✓ Necesitará un destornillador de estrella para completar este paso.

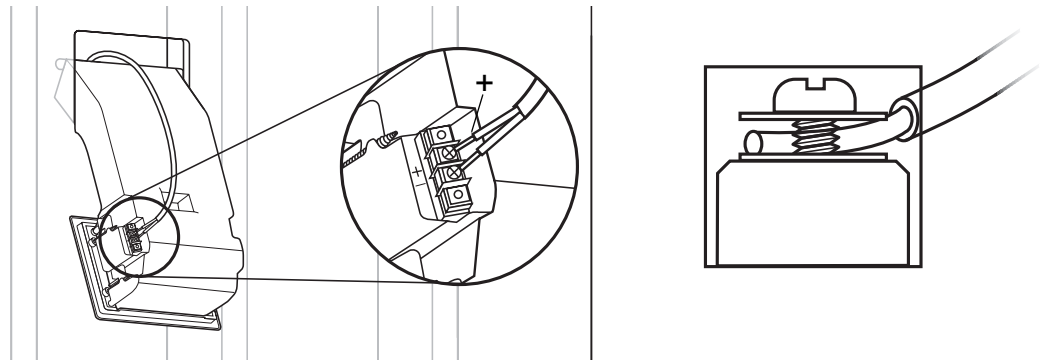
**Sugerencia:** Preste atención a la hora de mantener las polaridades adecuadas (+ con + y – con –) en estas conexiones. Si se comete algún error en este paso, podría afectar al funcionamiento del altavoz. Asegúrese también de fijar bien los tornillos, pero no lo haga excesivamente, ya que podría causar demasiada compresión en el cable.

1. Afloje los tornillos de los terminales, si no lo ha hecho antes.
2. Introduzca el extremo del cable marcado con el signo (+) en el terminal (+) y fije el tornillo (Figura 21).
3. Introduzca el extremo del cable no marcado (–) en el terminal (–) y fije el tornillo.

**⚠ PRECAUCIÓN:** No permita que los cables expuestos entren en contacto entre sí, ya que podrían dañarse los componentes. Corte el cable sobrante e introduzca la cantidad necesaria.

**Figura 21**

Conexión de los cables con los terminales



### Compruebe que el altavoz funciona

Antes de fijar en su totalidad el altavoz en la pared, compruebe que funciona correctamente y que las conexiones están bien.

Se recomienda instalar el segundo altavoz antes de comprobar si funcionan. Cuando tenga el segundo altavoz conectado, puede asegurarse de que funcionan los dos antes de completar la instalación.

**⚠ PRECAUCIÓN:** Si va a probar el primer altavoz antes de conectar el otro, asegúrese de que sólo ha conectado el cable de ese altavoz al receptor/amplificador. Esto evitará que los cables del altavoz que no estén conectados hagan contacto y dañen el receptor/amplificador.

#### Para comprobar el altavoz:

1. Encienda el receptor/amplificador y reproduzca alguna canción que le resulte familiar.
2. Compruebe la claridad y la precisión del sonido del altavoz.
  - Si tiene algún problema, consulte la sección “Resolución de problemas” en la página 27.
  - Si el altavoz suena bien, compruebe el otro o complete la instalación de este altavoz.

### Introduzca completamente el altavoz en la pared

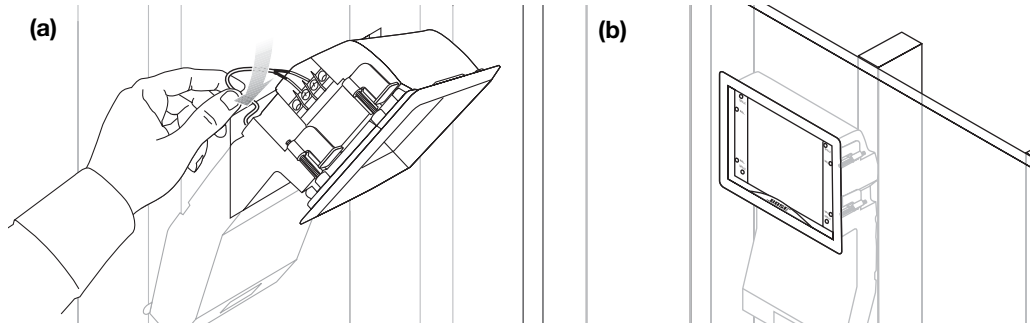
1. Cuando termine de realizar las conexiones, introduzca los cables que queden por fuera detrás del altavoz (Figura 22 en la página 18).

## PROCEDIMIENTO DE INSTALACIÓN

2. Asegúrese de que el marco del altavoz está bien atornillado al altavoz. El marco evita que el altavoz se salga del hueco. Consulte la Figura 17 en la página 15 si necesita colocar el marco al revés para orientar el logotipo de Bose en la parte frontal del altavoz rectangular.
3. Empuje el altavoz dentro del hueco hasta que quede al mismo nivel que la pared. (Figura 22b).

**Figura 22**

Introducción de los cables sobrantes detrás del altavoz (a) e Introducción completa del altavoz en la pared (b)

**Fijación del altavoz en la pared**

**⚠ PRECAUCIÓN:** Si utiliza un destornillador eléctrico para fijar los tornillos, seleccione, en primer lugar, la opción de par de apriete más bajo (no supere el valor de 0,2-0,5 N-m o 2-4 pulgadas-libras de par). Si el tornillo no queda bien fijado, termine la instalación del tornillo en la opción de par inmediatamente superior o a mano.

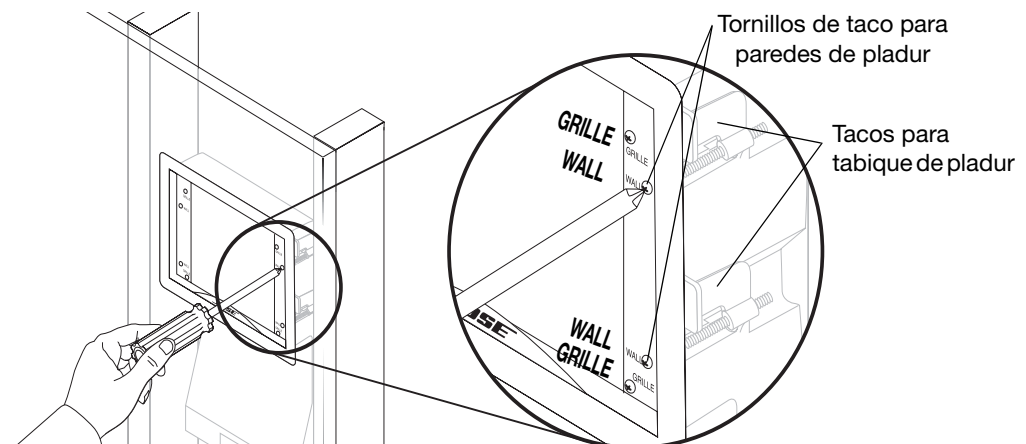
Cuando el altavoz esté completamente instalado en el hueco, al mismo nivel de la pared, deberá fijar los tornillos de taco para tabique de pladur, con la etiqueta "WALL" (pared), a ambos lados del marco. Los tornillos para tabique de pladur ejercen presión desde dentro para sujetar firmemente el altavoz a la pared. No confunda los tornillos para tabique de pladur con los que llevan la etiqueta "GRILLE" (rejilla), que sujetan el marco.

**⚠ PRECAUCIÓN:** Aunque estos tornillos deben estar bien fijados, asegúrese de que no lo están más que los tornillos para tabique de pladur. Demasiada compresión puede aplastar el módulo de la pared y provocar que se derrumbe. Esto puede ocasionar desniveles en el soporte de la pared y puede dejar huecos entre el altavoz y la pared.

1. Ajuste suavemente los cuatro tornillos de los tacos para tabique de pladur (Figura 23) hasta que empiecen a adherirse. Esto se produce cuando las abrazaderas que se abren y hacen presión en la parte posterior del módulo de madera.
2. Sujete con los dedos el marco del altavoz y fíjelo en su sitio con cuidado. Compruebe el espacio que queda en la parte frontal antes de apretar más los tornillos y enderece el altavoz, si es necesario.

**Figura 23**

Ajuste de los tornillos de los tacos para tabique de pladur



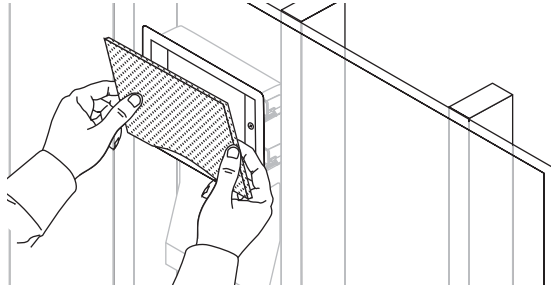
3. Cuando el altavoz esté bien colocado, apriete los tornillos.

### Fijación de los marcos rectangulares

1. Alinee la parte curvada de la rejilla con la parte curvada que se encuentra sobre el logotipo de Bose® y presione esa parte contra el marco del altavoz en primer lugar (Figura 24).
2. Encaje firmemente la parte superior de la rejilla. Cuando la rejilla quede alineada con el marco del altavoz, estará correctamente instalada.

**Figura 24**

Instalación de la rejilla



### El altavoz parece estar inclinado

Al alejarse un poco de la pared, le da la impresión de que el altavoz no está derecho. Si es así, resulta fácil ajustar el altavoz:

1. Extraiga la rejilla introduciendo una herramienta de punta plana y fina entre el marco del altavoz y la rejilla para desprenderla.
2. Afloje suavemente los tornillos de taco para tabiques de pladur, con la etiqueta "WALL" (pared).
3. Presione a ambos lados del marco del altavoz para colocarlo en la posición adecuada.
4. Aléjese un poco para asegurarse de que está derecho. Repita el paso 3 si no lo está.
5. Ajuste los tornillos de los cuatro tacos para tabique de pladur.
6. Vuelva a colocar la rejilla en la parte frontal del altavoz.

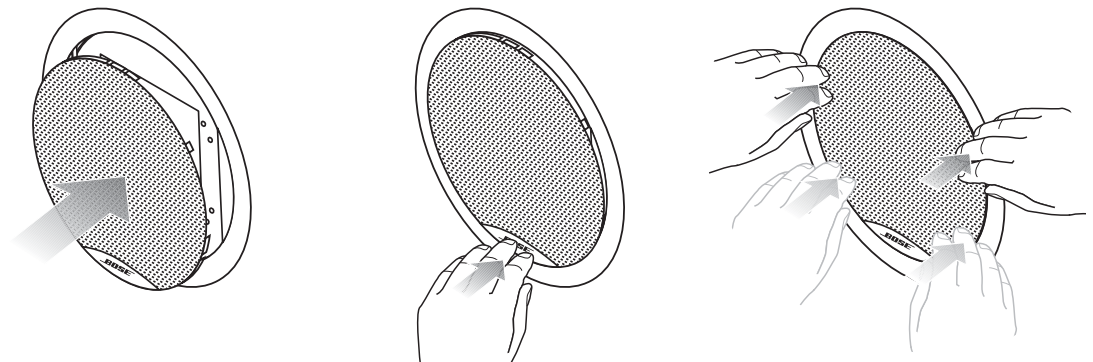
### Fijación de las rejillas redondas

1. Alinee el logotipo de Bose en la posición deseada.
2. Coloque primero el logotipo de Bose en el marco del altavoz. Consulte Figura 25.
3. Avance hacia la parte superior del marco de la rejilla, empleando ambas manos para insertar las lengüetas de la rejilla en el marco. Procure no doblar permanentemente las lengüetas de la rejilla.

🎵 **Nota:** Cuando la rejilla se inserte en el marco, el logotipo no podrá cambiarse de posición. Asegúrese de que se encuentra en la posición deseada antes de insertar toda la rejilla en el marco.

**Figura 25**

Fijación de las rejillas redondas



## REFERENCIA

### Pintado de los altavoces

La rejilla y el marco de los altavoces Virtually Invisible® 191 pueden pintarse antes o después de instalar el altavoz. Sin embargo, esto es opcional y Bose no se hará responsable de la calidad de la adhesión o del acabado de las pinturas no aplicadas en la fábrica.

Hay varias técnicas para pintar la rejilla y el marco. Asegúrese de utilizar pintura adecuada para la técnica que elija.

**ADVERTENCIA:** Siga los procedimientos de seguridad recomendados para utilizar los componentes químicos indicados. Esto incluye el uso correcto de la protección de los ojos, los sistemas de ventilación, los respiradores o el equipo de protección contra incendios si se utilizan disolventes inflamables.

#### Pintado de la rejilla

Resulta importante no pintar las zonas perforadas de las rejillas para evitar que se obstruyan, ya que esto podría afectar al rendimiento. Puede utilizar una técnica de pintura en seco o un spray para pintar la rejilla. En ningún caso utilice un rodillo:

- Extraiga la rejilla del altavoz si está instalada.
- Antes de empezar a pintar, limpie la rejilla para retirar los posibles contaminantes. Incluso las huellas dactilares pueden hacer que la capa no sea uniforme.
- Asegúrese de que la pintura se distribuye uniformemente y cubre toda la rejilla. Si no es así, puede que necesite pintar la parte interna de la rejilla para solucionar el problema.
- Cuando esté seco, proteja la rejilla pintada con un paño limpio o un pañuelo de papel hasta que la vuelva a colocar en el altavoz.

#### Técnica de pintura en seco

La pintura de látex es la adecuada para este método. Asegúrese de poner suficiente papel debajo para cubrir la zona de trabajo y para secar la brocha.

1. Sumerja la punta de una brocha limpia y seca en la pintura.
2. Escurra la brocha en el papel para reducir la cantidad de pintura. Cuando pueda distinguir las marcas individuales de las cerdas, podrá comenzar a pintar la rejilla.
3. Deslice la brocha suavemente por la rejilla en dirección horizontal hasta que necesite más pintura.

**Sugerencia:** Si la pintura obstruye las perforaciones de la rejilla, pruebe a cambiar el sentido de trazo o sople con suavidad en la zona obstruida.

4. Repita los pasos anteriores hasta que la zona exterior de la rejilla quede completamente cubierta.
5. Gire la rejilla 180° y vuelva a pintar toda la superficie.

#### Técnica de spray

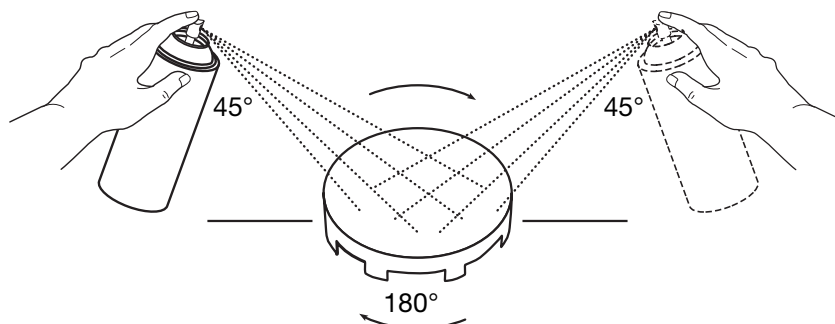
Las pinturas de látex o de aceite para utilizarlas disueltas en agua con una pistola aerográfica de tipo sifón para 2,1 bares (30 psi) y para aplicarla en un modelo de ventilador de 7,6-12,7 cm (3-5 pulg.). La fórmula de disolución en agua depende del tipo de pintura que utilice.

- La técnica de pintura de látex acrílico disuelta en agua es la siguiente:  
Añadir a 6 partes de pintura, 3 de agua y mezclar bien. Añadir una parte de alcohol etílico sin naturalizar (que sirve para romper las partículas de pintura de forma que no obturen la rejilla) y vuelva a mezclarlo todo.
- Para la utilización de pinturas arquitectónicas o de automoción:  
Este tipo de pintura debe utilizarla un profesional que disponga del equipo adecuado y conozca la técnica. Esta pintura debe también diluirse con un disolvente.
- Las pinturas en spray lacadas o esmaltadas suelen estar contenidas en unas latas de aerosol y no necesitan disolverse.

1. Para evitar que la suciedad o las partículas de pintura seca se incrusten en las perforaciones de la rejilla, sostenga la rejilla o colóquela en una malla metálica.
2. Aplique la pintura en la superficie de la rejilla en un ángulo de 45°. A continuación, gire la rejilla 180° y vuelva a pintarla en 45°.

**Figura 26**

Angulación y giro empleados para aplicar la pintura dos veces



**Sugerencia:** No se recomienda retirar la pintura obstruida en la rejilla con un elemento punzante, ya que puede dañarla. Si la pintura se obstruye en las perforaciones de la rejilla, sople suavemente en la zona obstruida. Si eso no funciona, lave de inmediato la rejilla con el disolvente adecuado. Asegúrese de que la rejilla está completamente seca antes de volver a pintar.

La pintura puede tardar unos minutos en secarse. Sin embargo, si ha añadido alcohol, puede tardar varios días en secarse.

### **Pintado del marco**

Antes de comenzar, proteja los conos del altavoz mediante el elemento de protección contra pintura suministrado en el paquete. A continuación, puede utilizar el mismo equipo de spray o rodillo convencional que utiliza para pintar las paredes o el techo.

Puede utilizar tanto pinturas de látex como pinturas de aceite que se adhieran al marco del altavoz. No obstante, estas pinturas pueden rayarse si no se utilizan con cuidado.

Tenga cuidado, ya que la pintura no se acumula ni se va. Puede que desee utilizar una brocha para esparcir la pintura por donde lo necesite.

## **Ayuda para usuarios que instalan por primera vez**

En esta sección se facilita información que puede resultar útil para usuarios que lleven a cabo la instalación por sí mismos.

### **Elementos opcionales que le ayudarán a realizar la tarea:**

- Ropa apropiada para el trabajo
- Guantes y protección para la boca, la nariz y los ojos
- Un trapo o cualquier otro material para proteger la zona de residuos
- Una guía de pasar cables para el tendido del altavoz por detrás de la pared
- Un taburete firme o una escalera para instalar los altavoces por encima de su cabeza

### **Accesorios que pueden ser de utilidad**

En caso de instalarse en un falso techo (si hay paneles instalados por debajo de la estructura del techo), Bose pone a disposición un kit opcional para la instalación en falsos techos para dos altavoces, que evita a los paneles soportar el peso de los altavoces. Las instrucciones se incluyen en el kit.

En caso de instalarse en una construcción reciente, Bose posee un kit de instalación empotrada para dos altavoces. Está diseñado para utilizarse cuando los perfiles ya están colocados y antes de que se coloque el panel de yeso, para así dejar sitio para los altavoces y señalar dónde se deben hacer los agujeros en el panel de yeso. Asimismo, sirve de protección para el panel de yeso, puesto que supone un apoyo extra para los tacos para tabique de pladur que sujetan el altavoz a la pared. Las instrucciones se incluyen en el kit.

Si desea más información o solicitar un accesorio, póngase en contacto con el distribuidor Bose más cercano, o bien, para llamar a Bose directamente, consulte la hoja de direcciones incluida en el paquete.

### **Uso del cable del altavoz**

Antes de cortar cualquier cable, calcule cuánto necesitará midiendo la distancia entre el receptor/amplificador y el punto donde instalará cada altavoz. Deje algo más de cable si el tendido incluye una esquina o atraviesa alguna pared y a esto súmele 36 cm (14 pulg.) para estirar desde la pared para así poder realizar las conexiones con mayor facilidad. Si desea instalar los altavoces en el techo procure dejar algo más de cable para realizar las conexiones desde el suelo.

#### **Recomendaciones sobre los cables.**

Calibre	Longitud máxima
0,82 mm <sup>2</sup> (18 AWG)	6 m (20 pies)
1,3 mm <sup>2</sup> (16 AWG)	9 m (30 pies)
2,1 mm <sup>2</sup> (14 AWG)	15 m (50 pies)

### **Preparación del cable del altavoz**

El cable del altavoz consta de dos cables aislados. El aislamiento de uno de los cables está marcado (a rayas, con anillos o estriado) para indicar que es positivo, mientras que el liso es negativo.

 **Nota:** A veces es difícil distinguir las marcas de los hilos, por lo deberá observar ambos cables detenidamente.

1. Retire aproximadamente 13 mm (1/2 pulg.) del material aislante de ambos cables.  
Se necesitan **unos alicates de corte y un pelacables**.
2. Enrosque los cables que sobresalen del aislante para que las hebras que queden sueltas no toquen el otro terminal.

Los alambres deben ir siempre conectados correctamente, positivo a positivo (+) y negativo a negativo (-).

### **Antes de colocar el panel de yeso**

Éstas son algunas directrices generales de trabajo en una construcción sin finalizar:

- No comience a trabajar antes de que los perfiles y las vigas estén acabados y hasta que se haya finalizado la instalación eléctrica.
- Haga una línea con tiza que cruce la parte frontal de los perfiles o la trasera de las vigas y desplácese hacia atrás a medida que vaya realizando los agujeros; de este modo tendrá siempre a la vista el último agujero que ha realizado.

- No utilice ni el mismo agujero ni la misma caja de conexiones para una instalación eléctrica y para el cable de los altavoces.
- En caso de que sea imprescindible que un tramo de cable discorra paralelo a un cable eléctrico, las interferencias disminuyen cuanto menor es el tramo.
- Utilice tubos de metal o cable blindado si ha de colocarse cerca de un cable eléctrico a lo largo de 3 m (10 pies) o más.
- Utilice abrazaderas o grapas grandes para cables con el fin de ajustar el cable a las vigas o a los perfiles si hay más de 1,4 m (4½ pulg.) desde el agujero.
- Use cinta de protección, canales de conducción o tubos para proteger el cable de posibles pisadas o compresiones en espacios reducidos.

### **Instalación en una habitación con preinstalación para cables**

La instalación más sencilla es la que se realiza en una habitación con preinstalación para cables, puesto que el constructor habrá dejado el cable del altavoz en un lugar de fácil acceso desde el punto donde éste se pretende ubicar. En una situación ideal, tras haber cortado el agujero del altavoz, basta con introducir el brazo para localizar el cable que el constructor ha instalado.

Si no supiera si la habitación cuenta con preinstalación para cables o desconoce dónde están ubicados, revise los planos de la habitación o pregúnteselo al constructor.

**⚠ PRECAUCIÓN:** Conocer la ubicación exacta de los cables preinstalados es importante para evitar posibles daños mientras se taladra o se corta la pared.

### **Si las paredes ya están acabadas**

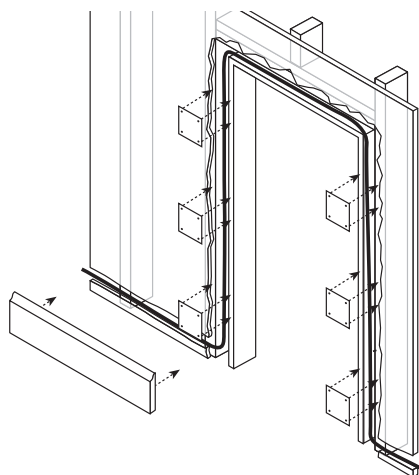
A continuación, encontrará un listado de consejos para facilitar el trabajo.

*Busque algún modo de ocultar los cables que queden por fuera de la pared (Consulte la Figura 27):*

- Siguiendo los rodapiés o por detrás de ellos.
- Debajo de las alfombras (con un cable de altavoz extraplano).
- Bajo los marcos de las puertas.

**Figura 27**

*Tendido del cable detrás de los rodapiés o de los marcos de las puertas*



### Qué hacer cuando la habitación no está preinstalada para cables

En ese caso, hay que tirar el cable del altavoz desde el receptor o el amplificador a través de la pared hasta el área elegida para instalar los altavoces. Deberá montar una caja de conexiones abierta en la pared cerca del receptor o del amplificador (Figura 28).

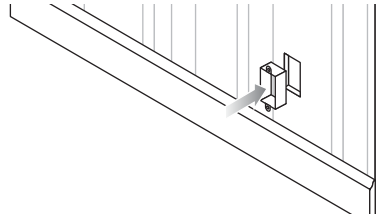
Medidas funcionales de seguridad:

**ADVERTENCIA:** Asegúrese de que el lugar que ha elegido es seguro para cortar. No corte las superficies que puedan entrañar algún peligro oculto, como cables, tubos o cañerías. No olvide respetar el resto de medidas de seguridad:

**ADVERTENCIA:** Consulte los requisitos de su área según las normas de construcción locales.

**Figura 28**

Caja de conexiones abierta por la parte posterior para que el cable pase por la pared situada cerca del receptor o del amplificador



- Utilice una broca de una amplitud suficiente para el cable que se va a introducir en los agujeros.
- Si es posible, utilice una broca para madera para que le resulte menos agotador trabajar con el taladro.
- No taladre las vigas maestras y consulte con el constructor si no tiene alternativa.
- Deje un espacio de 1 a 1,3 m (3 a 4 pies) entre el cable y cualquier conductor eléctrico, puesto que podría provocar un zumbido en el sonido de los altavoces. Consulte la Figura 29 en la página 25.
- Para evitar los clavos, haga los agujeros en el centro de los perfiles y de las vigas.
- Si obligatoriamente tiene que perforar un perfil o una viga, emplee una placa de sujeción para proteger el cable.
- Alinee los agujeros lo mejor posible para que resulte más fácil estirar del cable.
- Tire del cable para que se produzcan dobleces, pero procurando que no quede tenso.

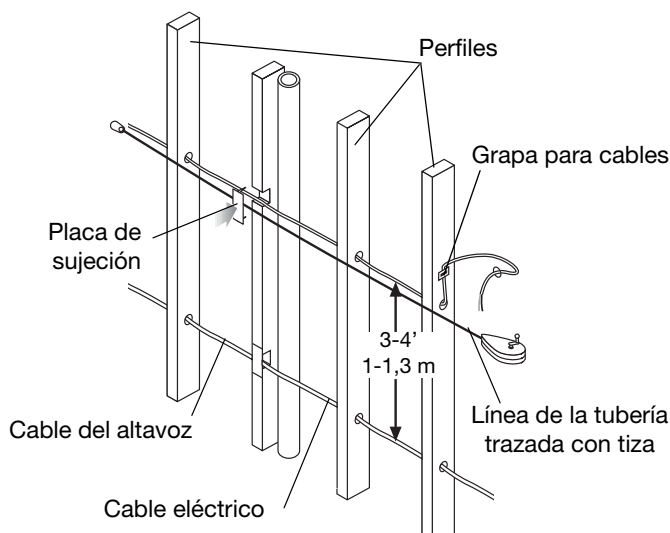
Busque el recorrido más sencillo para los cables por detrás del panel de yeso. Tenga presentes las siguientes consideraciones:

- En las paredes interiores no es tan frecuente que exista aislamiento detrás del panel de yeso.
- En un altillo o un sótano es más fácil acceder al cableado y se pueden localizar sin dificultad las tuberías, los conductores y los demás puntos conflictivos.
- Si se pretende instalar en un suelo técnico, puede ser interesante utilizar cable homologado y hacer el tendido a través de los conductos de la calefacción o del aire acondicionado.



**Figura 29**

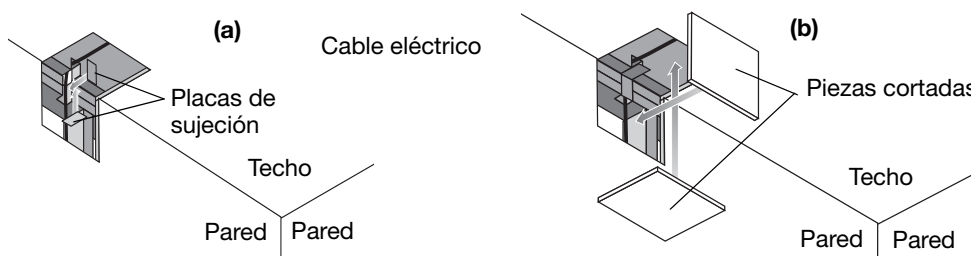
Técnicas para el tendido del cable de los altavoces a través de perfiles o vigas



Si es imprescindible incluir una esquina en el recorrido del cable, tendrá que cortar una pieza rectangular de panel de yeso a cada lado de la viga. Utilice estas piezas que ha cortado para tapar los agujeros una vez que haya terminado. Si introduce la mano en los agujeros, puede colocar placas dentadas en la viga para preparar el recorrido del cable y placas de sujeción para protegerlo (Figura 30).

**Figura 30**

Tendido del cable en una esquina con placas de sujeción protectoras (a) y las piezas cortadas usadas para sellar



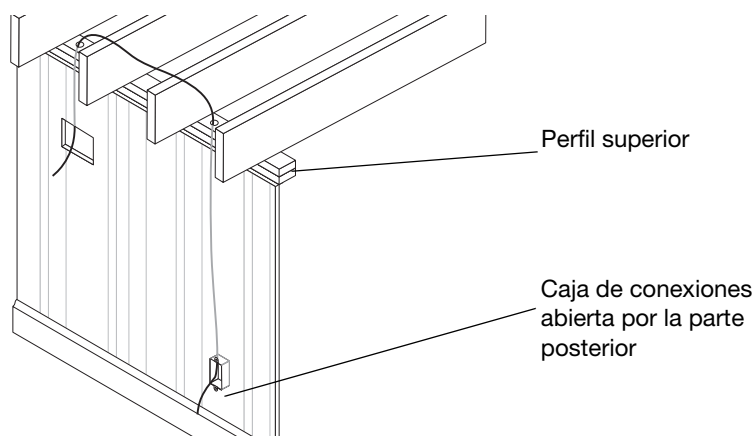
Para tapar los agujeros de la pared, coloque en su sitio las piezas que había cortado y sélloselos con junta de dilatación flexible y compuesto de juntas. Una vez secos, lije y pinte la zona para que el acabado sea igual que el del área circundante.

El recorrido más común del cableado comienza en el lugar donde se va a instalar el altavoz en la pared o en el techo y continúa por encima del falso techo, a través del perfil superior de madera que une horizontalmente la parte superior de los perfiles verticales. Se puede llevar el cable hasta justo encima de la caja de conexiones, cerca del receptor o del amplificador.

El siguiente paso consiste en volver a taladrar el perfil superior en ese punto, pasar el cable a través del agujero y deslizarlo por la pared (Figura 31).


**Figura 31**

Tendido del cable por encima del falso techo



### **Instalación en una pared exterior**

Si ha decidido instalar los altavoces en una pared exterior (adyacente al exterior del edificio), puede encontrar algún tipo de aislante por debajo del panel de yeso. El aislamiento puede dificultar la instalación, haciendo que sea necesario cortar y retirar el aislamiento maleable. En ese caso, utilice protección para los ojos y guantes para trabajar con aislamiento de fibra de vidrio.

 **ADVERTENCIA:** Si cabe la posibilidad de que el aislamiento de la pared sea de amianto, no corte la pared y elija otra ubicación para los altavoces.

Asimismo, el aislamiento impide realizar el agujero de prueba para medir el espacio existente detrás del panel de yeso. Es aconsejable realizar esta prueba antes de hacer el agujero del tamaño del altavoz para asegurarse de que el espacio es suficientemente amplio.

### **Precaución al cortar listones y yeso**

En caso de realizar la instalación en una pared de listones y yeso, hay que tener mucho cuidado para evitar que se agriete.

- Una vez perfilado el agujero, coloque la cinta a su alrededor y realice unos cortes superficiales con una cuchilla afilada donde más tarde estará el agujero.
- Después, quite el yeso que se encuentra dentro de la superficie perfilada hasta que el listón quede a la vista.

Por último, corte el listón con mucho cuidado. Las sierras de sable eléctricas aceleran el trabajo, pero pueden suponer un riesgo añadido. Se recomienda utilizar una sierra de mano y actuar con cuidado para no dañar el yeso circundante.

### **Consideraciones especiales en regiones de clima frío**

Cuando se instalan los altavoces en una pared exterior en zonas en las que las temperaturas se mantienen por debajo de los cero grados durante más de un día seguido, los humidificadores pueden provocar una condensación en el interior de los altavoces. El problema se agrava si se han colocado los altavoces boca abajo.

Para realizar una instalación en una pared exterior deberá:

- Evitar instalar los altavoces boca arriba.
- Dejar parte del aislamiento entre los altavoces y la pared exterior.
- Situar el humidificador a baja altura, sobre todo si la temperatura exterior es inferior a cero grados.

## Resolución de problemas

No funciona ninguno de los altavoces.	<ul style="list-style-type: none"> <li>• Compruebe la configuración del receptor o amplificador. Consulte el apartado de instrucciones para la configuración del manual de usuario.</li> <li>• Si los altavoces Virtually Invisible® 191 están conectados como segundo conjunto de altavoces a su receptor o amplificador, compruebe que las conexiones se han hecho en los terminales “B” y que se han seleccionado los altavoces “B” para la reproducción.</li> </ul>
Los graves o los agudos son débiles.	<ul style="list-style-type: none"> <li>• Compruebe el control de tono en el amplificador o receptor.</li> <li>• Compruebe la polaridad de las conexiones (de + a + y de – a –) en el receptor o amplificador y en el altavoz. Vuelva a leer “Realice las conexiones del altavoz” en la página 17.</li> </ul>
Sólo funciona uno de los altavoces.	<ul style="list-style-type: none"> <li>• Compruebe que el balance en el amplificador o receptor esté centrado.</li> <li>• Compruebe los cables conectados al altavoz que no funcionan. Cerciérese de que los cables se encuentran en buen estado y de que están conectados con firmeza. Vuelva a leer “Realice las conexiones del altavoz” en la página 17.</li> </ul>
Sigue funcionando sólo un altavoz.	<ul style="list-style-type: none"> <li>• Siga el recorrido del cable desde el altavoz hasta el receptor o amplificador. Desconecte el cable del canal del receptor o amplificador y conéctelo a otro canal. <ul style="list-style-type: none"> <li>– Si ya funciona, el problema reside en el canal original del receptor o amplificador, la emisión de las pistas de música o las conexiones entre el receptor o amplificador y la fuente. Asegúrese de que todo lo anterior funciona correctamente. Vuelva a conectar el altavoz en el canal correcto de un receptor o amplificador que funcione adecuadamente.</li> <li>– Si el problema persiste, el origen está en el cable del altavoz o en el propio altavoz. En ese caso, lea atentamente el siguiente punto.</li> </ul> </li> <li>• Desconecte el cable del altavoz y conéctelo al otro. <ul style="list-style-type: none"> <li>– Si éste sí funciona, el problema se encuentra en el cable del altavoz original. Póngase en contacto con su distribuidor autorizado Bose® para solicitar asistencia. Para llamar a Bose directamente, consulte la hoja de direcciones incluida en el paquete.</li> <li>– Si el problema persiste, el origen son los cables del altavoz. En ese caso, lea atentamente el siguiente punto.</li> </ul> </li> <li>• Antes de volver a realizar la instalación del cable, compruebe una vez más todas las conexiones. Después, repita todo el proceso anterior para averiguar cuál es el origen del fallo.</li> </ul>
Un altavoz produce electricidad estática o ruido.	<ul style="list-style-type: none"> <li>• Verifique las conexiones en el altavoz y en el receptor o amplificador. Asegúrese de que los cables estén en buenas condiciones y conectados firmemente y de que no hay ningún cable que toque las dos terminales. Verifique también las conexiones entre el receptor o amplificador y la fuente de la música. <ul style="list-style-type: none"> <li>– Si el problema persiste, siga las instrucciones del apartado “Sigue funcionando sólo un altavoz”.</li> </ul> </li> </ul>

## Servicio al cliente

Para obtener más ayuda para resolver problemas, diríjase a su distribuidor Bose. Para obtener la información de contacto de Bose®, consulte la página de direcciones incluida en el paquete.

## Período de garantía

Los altavoces Free Space® 191 están cubiertos por una garantía limitada transferible de cinco años. Los detalles sobre la cobertura constan en la tarjeta de garantía proporcionada junto con los altavoces. Rellene la sección de información, córtela y envíela a Bose.

## Accesorios

- Kit de instalación en falsos techos para dos altavoces  
Sujeta el peso de los altavoces, protegiendo así los paneles. Las instrucciones se incluyen en el kit.
- Kit de instalación empotrada para dos altavoces  
Deja espacio para los altavoces una vez colocados los perfiles y antes de que se instale el perfil de yeso; asimismo, indica dónde se debe realizar el agujero en la madera. Las instrucciones se incluyen en el kit.

Si desea más información o hacer un pedido, contacte con el distribuidor Bose más cercano. O bien, para llamar a Bose directamente, consulte la hoja de direcciones incluida en el paquete.

## Información técnica

### Características

- Diseño de los altavoces Virtually Invisible® y Articulated Array®.
- Tecnología de la carcasa patentada.
- Rendimiento de los altavoces Stereo Everywhere®.
- Rejilla resistente a la pintura.
- Control de calidad computarizado Syncom®.

### Compatibilidad

- Compatible con amplificadores o receptores de 10-100 W por canal con una potencia total de 4 a 8 ohmios.
- Administración de potencia continua 50W IEC; potencia total de 6 ohmios.

### Complemento de transductor

- Dos (2) transductores de gama completa de 6,4 cm (2½ pulg.) por altavoz

### Carcasa

- Poliestireno moldeado de alta resistencia empotrado.
- Marco blanco y parrilla.

### Dimensiones

- Cada altavoz mide  
34,9 x 19,9 x 9,8 cm (13¾ x 7⅞ x 3⅞ pulg.) (alto x ancho x fondo)
- Superficie de pared o techo requerida para cada:  
Altavoz de frontal rectangular: 20,5 x 14 cm (8¾ x 6 pulg.) (ancho x alto)  
Altavoz de frontal redondo: 26 cm (11¼ pulg.) de diámetro

### Peso

- 2,0 kg (4,5 libras) cada uno



# INFORMATIONS RELATIVES À LA SÉCURITÉ

## Recommandations importantes

Veillez à lire l'intégralité de cette notice d'utilisation avant de commencer l'installation. Vérifiez que vous êtes capable de vous servir des outils et de suivre les précautions mentionnées dans ce document. Si vous n'êtes pas sûr de pouvoir réaliser cette installation, contactez le revendeur qui vous a vendu le produit, un électricien ou un installateur audio et vidéo professionnel. Vous pourrez lui décrire le travail à effectuer et lui demander un devis avant de lui confier l'installation.

**⚠ AVERTISSEMENT :** L'installation doit être réalisée conformément à la section applicable de la norme du National Electrical Code, ANSI/NFPA 70 et/ou du National Fire Alarm Code, ANSI/NFPA 72. La méthode et le compartiment de câblage ne doivent pas interférer avec le fonctionnement des enceintes.

**⚠ ATTENTION :** Consultez les normes de construction applicables avant de débiter l'installation.

**⚠ ATTENTION :** Ce produit n'est pas destiné à être utilisé dans les espaces de ventilation.

**⚠ ATTENTION :** En cas de non respect des instructions de cette notice d'utilisation, toutes les garanties relatives aux enceintes seront annulées.

### Utilisez ces instructions uniquement si la structure est en bois ou en matériau similaire

Chaque enceinte nécessite un espace horizontal de 20,5 cm, et un espace vertical de 35,6 cm dans le mur ou le plafond, ainsi qu'au minimum 10,5 cm à partir de la face de la plaque de plâtre, qui offre une épaisseur maximale de 1,9 cm.

Bose recommande d'installer ces enceintes uniquement dans une structure en bois (ou un matériau similaire) offrant un espace suffisant entre les montants (muraux ou au plafond, de 5 x 10 cm ou 5 x 15 cm). Les instructions de ce document s'appliquent à ce type d'installation uniquement.

**🎵 Remarque :** Ces enceintes ne sont pas conçues pour être installées dans des plafonds ou des murs en maçonnerie.

### Instructions importantes relatives à la sécurité

1. **Veillez lire ces instructions** avant d'utiliser le produit. Elles sont valables pour tous les composants.
2. **Veillez les conserver** pour référence ultérieure.
3. **Respectez tous les avertissements**, qu'ils figurent sur le produit lui-même ou dans la notice d'utilisation.
4. **Suivez toutes les instructions.**
5. **Ne bloquez jamais les orifices d'aération, et suivez les instructions du fabricant pour l'installation.**
6. **Utilisez uniquement les accessoires spécifiés par le fabricant.**

Les enceintes Bose® Virtually Invisible® 191 sont conformes aux spécifications suivantes :

**CE** Ce produit est conforme à la directive CEM 89/336/EEC et à la directive sur les basses tensions 73/23/EEC. L'attestation complète de conformité est disponible à l'adresse suivante : <<http://www.bose.com>>.

### Renseignements à conserver

Les numéros de série figurent au centre de la face arrière de chaque enceinte Virtually Invisible® 191.

Numéros de série : \_\_\_\_\_ et \_\_\_\_\_

Nom du revendeur : \_\_\_\_\_

Numéro de téléphone du revendeur : \_\_\_\_\_

Date d'achat : \_\_\_\_\_

Nous vous conseillons de conserver votre reçu et votre carte de garantie avec cette notice d'utilisation.

<b>INTRODUCTION</b>	<b>4</b>
Avant de commencer...	4
Ce qui rend ces enceintes meilleures et différentes	4
<b>PRÉPARATION</b>	<b>5</b>
Déballage	5
Autre équipement nécessaire	5
Choix de l'emplacement des enceintes	6
Positionnement des enceintes avant droite et gauche	6
Choix de la forme des enceintes	7
Prise en compte du type de mur et recommandations à suivre	7
Mise en place dans un mur	7
Mise en place dans le plafond	8
<b>PROCÉDURE D'INSTALLATION</b>	<b>9</b>
Avant de percer des trous	9
Perçage d'un avant-trou pour mesurer l'espace disponible à l'intérieur du mur	9
Utilisation du gabarit	9
Perçage de l'avant-trou	10
Mesure de l'espace disponible derrière l'avant-trou	11
Réussite du test de mesure effectué sur l'avant-trou	13
Rebouchage d'un avant-trou	13
Préparation du mur pour l'encastrement d'une enceinte	13
Mesure et marquage de l'orifice à percer	13
Perçage de l'ouverture destinée à l'enceinte	14
Réorientation ou changement des cadres des enceintes	15
Réorientation du logo rectangulaire	15
Installation de cadres d'enceintes circulaires	15
Encastrement et câblage de l'enceinte	15
Insertion de l'enceinte dans l'ouverture	16
Branchement de l'enceinte	17
Test de l'enceinte	17
Encastrement de l'enceinte dans l'ouverture	17
Fixation de l'enceinte au mur	18
Fixation des grilles rectangulaires	19
Fixation des grilles circulaires	19
<b>RÉFÉRENCE</b>	<b>20</b>
Peinture des enceintes	20
Peinture de la grille	20
Peinture du cadre	21
Aide pour les débutants	21
Composants facultatifs utiles :	21
Accessoires utiles	22
Utilisation d'un câble d'enceinte	22
Préparation du câble d'enceinte	22
Avant la pose de la plaque de plâtre	22
Installation dans un emplacement pré-câblé	23
Dans des murs finis	23
Que faire si la pièce n'est pas pré-câblée	24
Installation dans un mur extérieur	26
Précautions à prendre lors de la perforation du plâtre et du sciage des lattes	26
Recommandations spéciales pour les régions froides	26
Dépannage	27
Service client	27
Durée de la garantie	27
Accessoires	28
Caractéristiques techniques	28

# INTRODUCTION

## Avant de commencer...

**ATTENTION :** Lisez ce guide attentivement avant de procéder à la moindre découpe. De nombreux facteurs sont à prendre en compte avant de procéder à ce type d'installation.

Merci d'avoir choisi les enceintes Bose® Virtually Invisible® 191. Grâce à leur technologie de pointe et à leur conception innovante, ces enceintes garantissent des performances sonores de très grande qualité malgré leur petite taille.

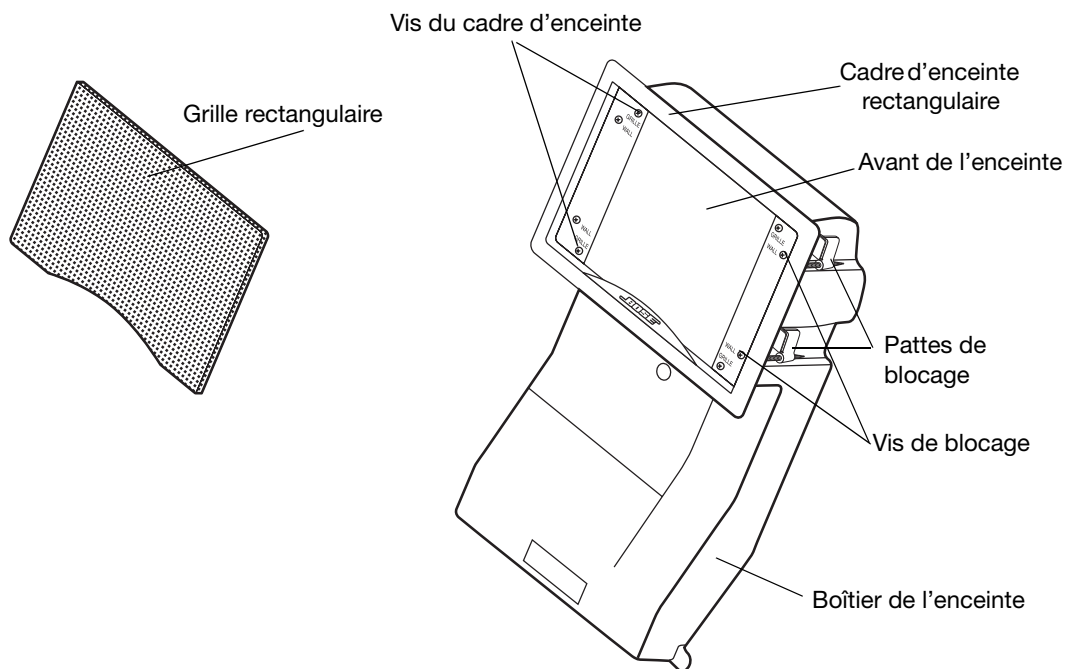
Les enceintes Virtually Invisible® 191 bénéficient de la configuration appelée « Articulated Array® », qui diffuse un son très clair et offre une couverture régulière connue sous le nom de Bose Stereo Everywhere®.

## Ce qui rend ces enceintes meilleures et différentes

Une fois installées, les enceintes Virtually Invisible® 191 occupent très peu de place. Leur originalité réside dans leur boîtier révolutionnaire (Figure 1), qui est invisible puisque caché dans un mur ou au plafond. La qualité sonore est remarquable quels que soient l'emplacement de l'enceinte et la taille ou la forme de l'espace mural, et le son ne se propage pas dans les autres pièces comme c'est souvent le cas avec les enceintes plus conventionnelles.

**Figure 1**

Enceintes avec le cadre rectangulaire





## Déballage

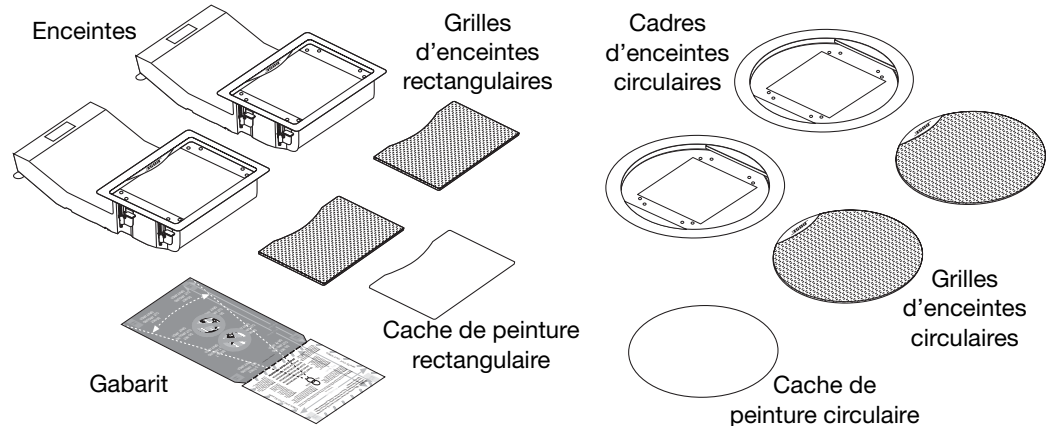
Déballer les enceintes avec précaution. Vérifier que toutes les pièces illustrées Figure 2 sont dans le carton. Si vous remarquez qu'une des deux enceintes semble endommagée, n'utiliser ni l'une ni l'autre. Avertir immédiatement Bose ou un revendeur Bose® agréé. Pour contacter Bose, consulter la liste des adresses figurant dans le carton d'emballage.

🎵 **Remarque :** C'est le moment de relever les numéros de série situés à l'arrière de chaque enceinte et de les noter sur votre carte de garantie et dans l'espace « Renseignements à conserver », page 2.

### Figure 2

Contenu du carton :

- 2 enceintes avec cadres rectangulaires fixés
- 2 grilles d'enceintes rectangulaires
- 1 cache de peinture rectangulaire
- 1 gabarit
- 2 cadres d'enceintes circulaires
- 2 grilles d'enceintes circulaires
- 1 cache de peinture circulaire



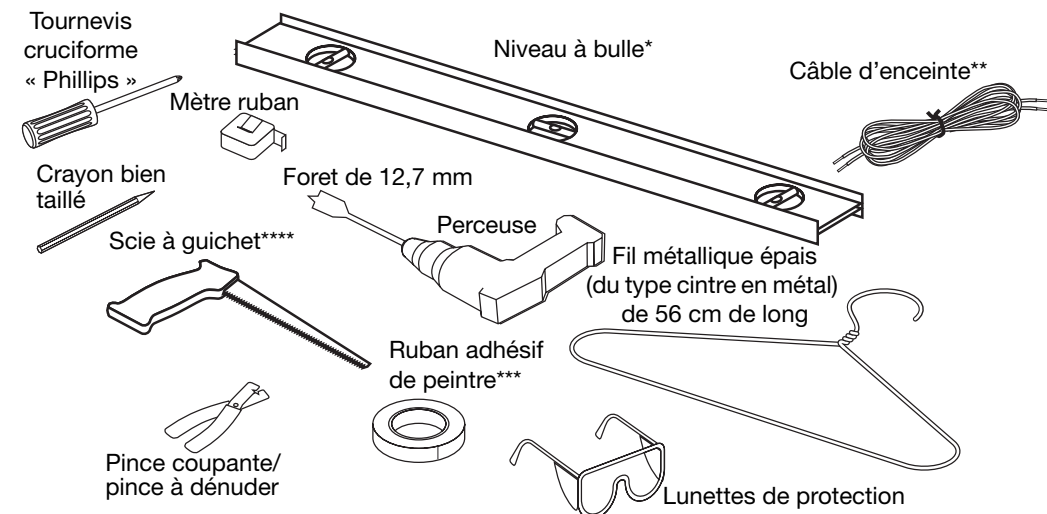
### Autre équipement nécessaire

Les éléments de fixation des enceintes au mur ou au plafond sont fournis, mais vous devez disposer de divers outils et accessoires pour installer les enceintes (Figure 3).

Consultez la section « Aide pour les débutants » page 21 pour plus d'informations et de conseils sur les outils et matériaux.

### Figure 3

Matériel nécessaire à l'installation des enceintes



\* Le niveau à bulle est recommandé pour fixer les enceintes dans un mur.

\*\* Les spécifications des câbles figurent dans la section Référence de ce guide.

\*\*\* Le ruban adhésif de peintre ou toute autre bande légèrement adhésive ne doit pas endommager les murs peints ou la tapisserie.

\*\*\*\* Outils de découpe pour cloison sèche : une scie à guichet, une scie spéciale cloison sèche, une défonceuse ou une scie sauteuse.

Pour le plâtre et le bois : une scie sauteuse ou une défonceuse

## Choix de l'emplacement des enceintes

Les nouvelles enceintes Virtually Invisible® 191 sont conçues pour être fixées aussi bien au mur qu'au plafond. La procédure d'installation dépend de l'emplacement choisi. Étudiez les possibilités énumérées ci-dessous et suivez les instructions en fonction de vos choix :

- Comment souhaitez-vous utiliser les enceintes ?
  - comme des enceintes stéréo placées symétriquement dans une pièce ou devant un sofa, ou
  - comme des enceintes frontales de Home Cinéma ou des enceintes arrière Surround
- Dans quel type de surface souhaitez-vous les installer ?
  - un mur intérieur (adjacent à une autre pièce), un mur extérieur (adjacent à l'extérieur), ou au plafond
  - dans une construction terminée (plâtre et bâti en bois ou panneau mural)

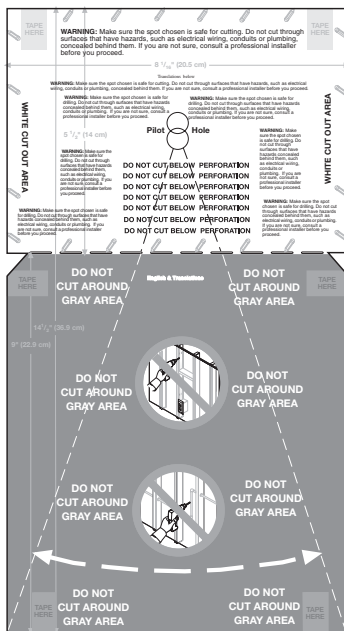
### Positionnement des enceintes avant droite et gauche

1. Il est possible de positionner le gabarit contre un mur ou au plafond afin de déterminer l'espace nécessaire. Le boîtier de chaque enceinte se prolonge *dans le mur ou le plafond* (comme indiqué sur le gabarit dans la zone en gris NE PAS DÉCOUPER, Figure 4). Encastrée dans un mur, l'enceinte peut être à l'endroit ou à l'envers, ce qui la fera déborder de la grille au-dessus ou en dessous.
2. Utilisez un localisateur de chevrons pour vous assurer que l'ouverture destinée à l'enceinte est située à au moins 12 cm d'un montant ou d'une solive.
3. Évitez de choisir l'emplacement des enceintes à proximité de câbles électriques, de trous d'aération et de tuyaux (Figure 5 page 7). Contactez un professionnel, si nécessaire, pour savoir comment repérer et éviter ces éléments.

♪ **Remarque :** Dans les régions froides où les humidificateurs sont utilisés, évitez d'encastrer l'enceinte à l'envers dans un mur extérieur, ce qui poserait des problèmes de condensation.

**Figure 4**

Gabarit



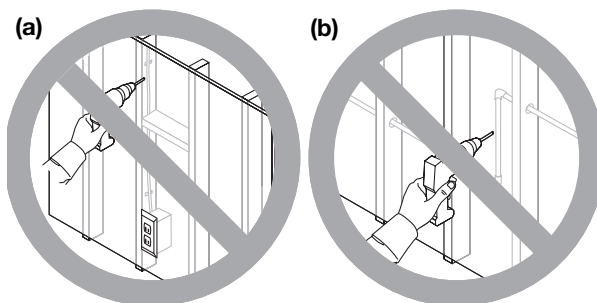
À DÉCOUPER  
Les grandes zones blanches représentent la partie à découper sur l'avant de l'enceinte

NE PAS DÉCOUPER  
Les grandes zones grises représentent l'espace à prévoir à l'intérieur du mur pour le boîtier d'enceinte.

**⚠ ATTENTION :** Une fois le boîtier installé dans le mur ou au plafond, il ne doit plus être visible. N'essayez pas de clouer, couper ou percer cette surface. Vous risquez d'endommager sérieusement l'enceinte si le boîtier est percé.

**Figure 5**

Attention aux (a) câbles électriques ou (b) aux tuyaux situés derrière la plaque de plâtre



### Choix de la forme des enceintes

Pour la partie visible de l'enceinte (une fois installée) vous pouvez choisir entre une forme circulaire ou rectangulaire. Ce choix doit être établi en fonction de l'emplacement prévu pour les enceintes. En général, la forme rectangulaire est mieux adaptée aux murs, et la forme circulaire est mieux adaptée aux plafonds.

Il est facile de déposer les cadres rectangulaires pour les remplacer par les cadres circulaires. Vous pouvez effectuer ce remplacement dès maintenant ou attendre d'avoir choisi l'emplacement définitif de chaque enceinte. **Toutefois, veillez à effectuer ce remplacement avant l'installation de chaque enceinte sur le mur ou au plafond.** La patte du cadre de l'enceinte sert à empêcher celle-ci de glisser à l'intérieur du mur, hors de portée. Ne retirez pas le cadre lorsque l'enceinte est fixée au mur. Voir la section « Réorientation ou changement des cadres des enceintes » page 15 pour toutes instructions sur la dépose et le remplacement des cadres des enceintes.

### Prise en compte du type de mur et recommandations à suivre

Si vous installez les enceintes dans une pièce pré-câblée d'une construction terminée dont la structure est faite de montants de 10 x 20 cm recouverts de panneaux, l'emplacement de vos enceintes est déjà défini. Reportez-vous à la section « Procédure d'installation » page 9. Ces instructions s'appliquent à l'installation d'enceintes avec grille circulaire ou rectangulaire, sur le mur ou au plafond.

Si votre installation est différente, consultez les informations ci-après. Pour décider de l'emplacement de chaque grille d'enceinte, suivez les recommandations suivantes :

**⚠ ATTENTION :** Ne les installez pas à proximité d'une source de chaleur, par exemple une lampe halogène, un radiateur, un four ou tout autre équipement (notamment les amplificateurs) produisant de la chaleur.

### Mise en place dans un mur

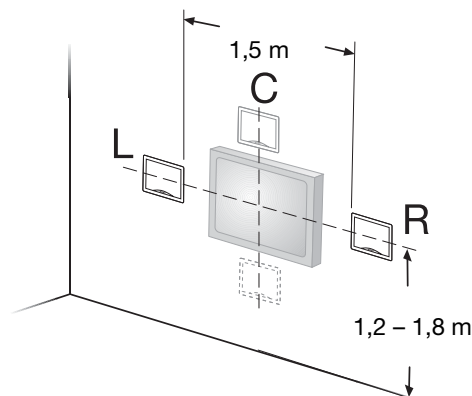
- Les deux enceintes doivent être distantes d'au moins 1,5 mètre.
- Pour tirer parti au maximum des performances des enceintes frontales stéréo ou frontales et Surround pour Home Cinéma, installez-les de sorte que chaque grille d'enceinte soit à une distance comprise entre 1,2 et 1,8 m du sol.
- Les deux enceintes frontales pour Home Cinéma doivent être installées horizontalement, de façon à être alignées sur le centre de l'écran vidéo (Figure 6 page 8).

## PRÉPARATION

- Si l'enceinte dédiée au canal central est placée dans un mur, positionnez-la au-dessus ou en dessous de l'écran, centrée entre les enceintes gauche et droite, mais pas sur le même plan horizontal. Si vous tracez une ligne entre les enceintes frontales gauche, centre et droite, cette ligne devrait avoir la forme d'un V.
- Les enceintes ne doivent pas être installées sur le côté dans le mur. Le boîtier doit être au-dessus ou en dessous de l'avant de l'enceinte.

**Figure 6**

*Orientation des enceintes installées dans un mur pour une utilisation en Home Cinema (frontales)*

**Mise en place dans le plafond**

Pour placer les enceintes dans le plafond, respectez les conseils suivants. La direction dans laquelle les boîtiers doivent être positionnés est déterminée par l'espacement des poutres du plafond. Les boîtiers des enceintes doivent être parallèles aux poutres.

Pour obtenir les meilleures performances stéréo avec un encastrément dans le plafond :

- les enceintes doivent être placées à égale distance, de part et d'autre de la zone d'écoute principale.

Pour obtenir les meilleures performances Home Cinéma avec un encastrément dans le plafond :

- Placez les enceintes frontales droite et gauche à égale distance de l'écran vidéo, à sa droite et à sa gauche.
- Placez l'enceinte centrale au-dessus du centre de l'écran vidéo.
- Placez les enceintes Surround à distance égale de l'écran, face au mur devant lequel ce dernier est placé.

## Avant de percer des trous

Lisez attentivement les recommandations de la section « Préparation », commencent page 5 pour bien démarrer.

**⚠ ATTENTION :** Si vous n'êtes pas certain de pouvoir réaliser l'installation vous-même, contactez un installateur professionnel.

- ✓ De petits pictogrammes attirent votre attention sur les outils nécessaires à la prochaine étape. **Des conseils** sont également fournis pour faciliter votre travail et vous éviter de commettre des erreurs.

## Perçage d'un avant-trou pour mesurer l'espace disponible à l'intérieur du mur

Avant de faire un grand trou dans le mur ou le plafond, mesurez l'espace disponible en perçant un petit avant-trou. Cette étape est très utile et contribuera au succès de l'installation.

**♪ Remarque :** Si vous souhaitez faire un trou dans un mur extérieur contenant un isolant, vous rencontrerez probablement des difficultés pour mesurer l'espace disponible. Dans ce cas, ignorez cette étape et passez directement à la section « Préparation du mur pour l'encastrement d'une enceinte » page 13. Ne procédez ainsi que si vous êtes certain que l'isolant est mou et qu'aucun élément susceptible d'entraver l'installation ne se trouve à l'intérieur du mur.

**⚠ AVERTISSEMENT :** Si vous pensez que l'isolant situé dans le mur peut contenir de l'amiante, ne percez pas de trou dans ce mur. Choisissez un autre emplacement pour les enceintes.

### Utilisation du gabarit

- ✓ Pour cette étape, munissez-vous d'un **crayon bien taillé**.

Le gabarit indique où percer deux avant-trous de 13 mm avant de réaliser une ouverture destinée à accueillir l'enceinte entière. Vous pourrez ainsi vérifier l'espace entre ces trous pour vous assurer que l'espace est suffisant pour accueillir l'enceinte, et qu'il n'existe pas d'éléments pouvant empêcher l'installation.

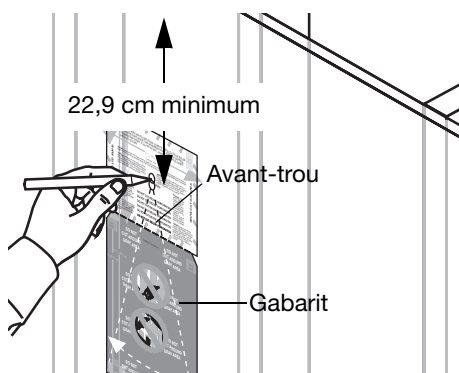
Sur le gabarit, vous remarquerez des lignes en pointillés formant un angle, qui relie l'avant-trou et les coins inférieurs de la zone à ne pas découper. Servez-vous en pour vérifier si l'espace libre en dessous de l'avant-trou est suffisant pour accueillir l'intégralité du boîtier de l'enceinte.

### Pour placer le gabarit :

1. Sur le mur ou le plafond, choisissez l'emplacement sur lequel centrer la grille de l'enceinte. N'oubliez pas de prévoir suffisamment d'espace au-dessus et en dessous de l'avant-trou pour accueillir le boîtier de l'enceinte. En effet, vous devrez peut-être installer le boîtier à l'envers si l'espace en dessous du trou comporte un obstacle (tuyau, câble...).
2. Alignez les cercles des avant-trous sur l'emplacement choisi en posant le gabarit bien à plat sur le mur.
3. Tracez le contour intérieur des cercles à l'aide d'un crayon (Figure 7).
4. Retirez le gabarit.

**Figure 7**

Préparation du perçage d'un avant-trou



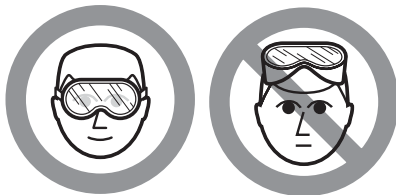
### Perçage de l'avant-trou

- ✓ Pour cette étape, vous avez besoin d'une perceuse et d'une **mèche plate de 12,7 mm ou d'un outil de perçage spécial**.

**AVERTISSEMENT** : Munissez-vous de lunettes de protection et observez toutes les consignes de sécurité lors de l'utilisation de la perceuse ou de l'outil de découpe (Figure 8).

**Figure 8**

Avertissement sur le risque de percer un trou sans lunettes de protection



**AVERTISSEMENT** : Assurez-vous que le perçage d'un trou à l'emplacement choisi ne présente aucun danger. Ne percez pas des surfaces susceptibles de présenter des risques cachés, tels que des câbles électriques, des gaines ou des tuyaux. Respectez toutes les autres consignes de sécurité.

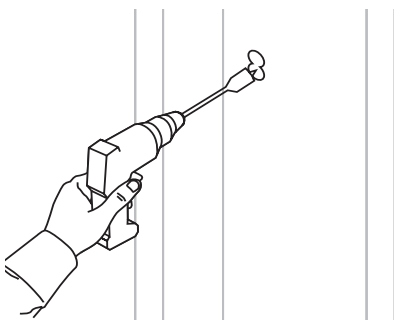
1. Placez la pointe de la mèche au centre du cercle supérieur que vous avez tracé.
2. Percez un trou à travers toute l'épaisseur de la plaque de plâtre, de façon à pouvoir explorer ce qui se trouve derrière.

**Remarque** : Si le mur est doté d'un isolant, il vous sera difficile, voire impossible, de sonder ce qui se trouve derrière la plaque. Si vous êtes certain que l'emplacement choisi ne présente aucun danger ni obstacle, vous pouvez percer un trou plus large, retirer une partie de l'isolant et poursuivre la procédure. Reportez-vous à la section « Préparation du mur pour l'encastrement d'une enceinte » page 13.

3. Percez le deuxième trou juste en dessous du premier (Figure 9). Cela permet d'obtenir un trou plus grand pour vérifier si l'espace disponible pour installer le boîtier de l'enceinte est suffisant.

**Figure 9**

Utilisation d'une perceuse munie d'une mèche plate pour percer l'avant-trou



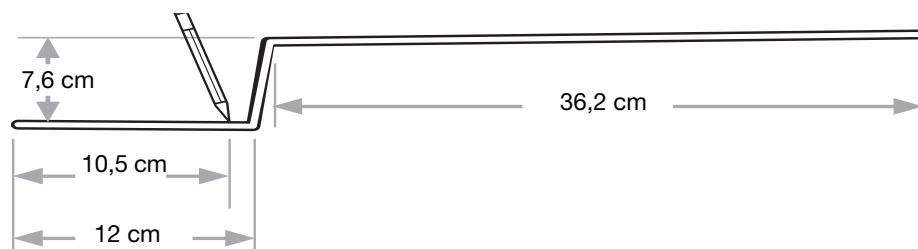
## Mesure de l'espace disponible derrière l'avant-trou

**Astuce :** Pour cette étape, vous avez besoin d'un **mètre ruban** et d'un **fil de fer rigide** (comme un cintre déplié) de 56 cm de long.

1. Pliez le fil de fer comme indiqué Figure 10.

**Figure 10**

Fil de fer rigide de 56 cm de long, plié à deux endroits



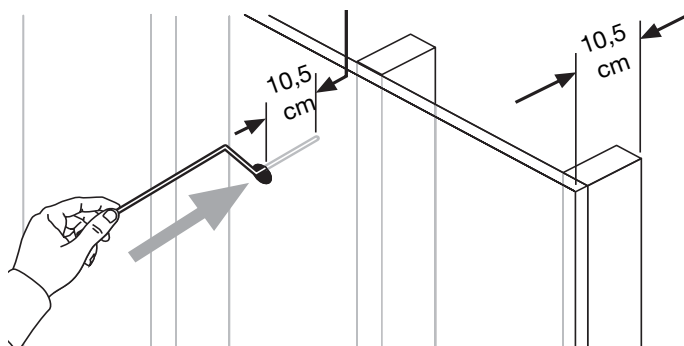
**Astuce :** Pour plus de précision, pliez le fil de fer au-delà de la longueur nécessaire, mesurez de nouveau, puis coupez la longueur superflue.

**AVERTISSEMENT :** S'il existe un risque que des câbles électriques se trouvent derrière la plaque de plâtre, enveloppez le fil de fer d'un ruban isolant pour éviter les chocs électriques.

2. Mesurez 10,5 cm à partir de l'extrémité la plus courte, puis faites une marque pour délimiter la profondeur nécessaire derrière la plaque.
3. À l'aide du fil de fer courbé, vérifiez si la profondeur est suffisante: Insérez l'extrémité la plus courte du fil de fer dans le trou en l'introduisant tout droit (Figure 11) Vérifiez qu'il n'existe aucun obstacle jusqu'à 10,5 cm de profondeur. Cette valeur confirme que l'espace dans le mur est suffisant pour la profondeur de l'enceinte.

**Figure 11**

Vérification de la profondeur disponible pour l'enceinte

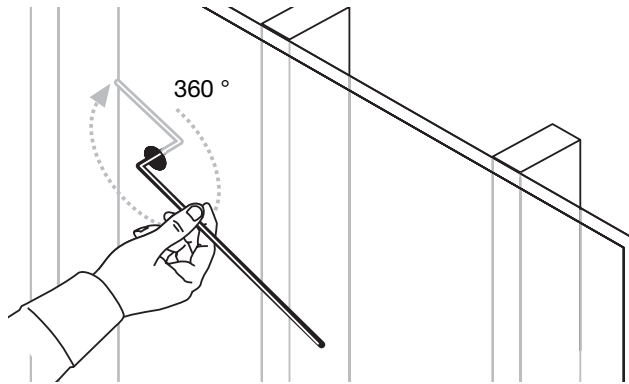


- Si le fil de fer ne rencontre aucun obstacle, passez à l'étape 4 ci-dessous.
  - Si vous ne parvenez pas à insérer le fil jusqu'au repère de 10,5 cm, percez un avant-trou ailleurs. Recommencez ensuite l'étape 3.
4. Toujours à l'aide du fil, vérifiez la largeur disponible de chaque côté du trou : En conservant l'extrémité la plus courte dans le trou, changez la position du fil de fer (comme indiqué Figure 12 page 12), puis faites-le pivoter de 360°. Cette valeur indique que l'espace disponible derrière la plaque de plâtre, de chaque côté du trou, est suffisant pour la largeur de l'enceinte.

## PROCÉDURE D'INSTALLATION

**Figure 12**

Vérification de la largeur disponible pour la largeur de l'enceinte



- Si, lorsque vous le faites pivoter de 360 °, le fil de fer ne rencontre aucun obstacle, passez à l'étape 5 ci-dessous.
  - Si vous ne parvenez pas à faire pivoter le fil de fer de 360 °, percez un avant-trou ailleurs. Recommencez ensuite les étapes 3 et 4.
5. A l'aide de l'extrémité du fil de fer la plus longue, vérifiez si l'espace disponible au-dessous du trou est suffisant :  
En tenant le fil de fer par son extrémité la plus courte, insérez l'autre extrémité dans le trou (du mur ou du plafond) en la dirigeant droit vers le bas (Figure 13a).

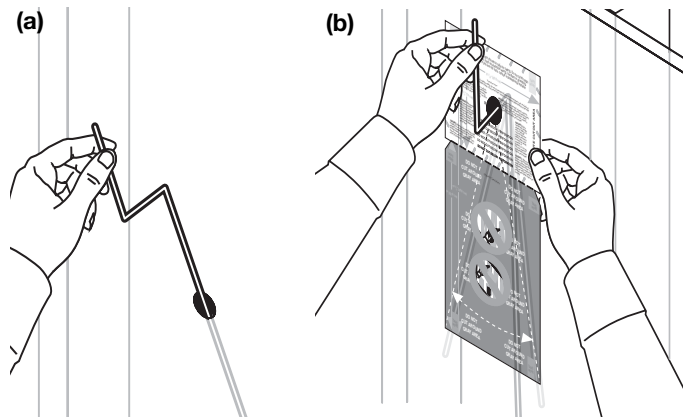
**Astuce :** Pour effectuer cette étape, vous pouvez vous servir du gabarit, comme indiqué à la Figure 13b.

- En laissant l'extrémité la plus longue dans le trou, balancez le fil de fer latéralement en formant un arc de cercle, comme indiqué sur le gabarit. Cette mesure indique que la largeur et la longueur disponibles dans le mur ou au plafond sont suffisantes.

**Astuce :** Pour mesurer la longueur disponible, placez le fil de fer près de la paroi du mur ou du plafond, puis éloignez-le (voir Figure 13a ci-dessous).

**Figure 13**

Vérification de la longueur disponible en introduisant l'extrémité du fil la plus longue (a) et en effectuant un balayage latéral (b)



- Si vous parvenez à insérer le fil de fer et à effectuer un balayage latéral au fond du mur sans rencontrer d'obstacles, passez à l'étape suivante : « Préparation du mur pour l'encastrement d'une enceinte » page 13.
- Si vous rencontrez un obstacle sous l'avant-trou alors que vous effectuez une mesure sur un mur intérieur, insérez le fil de fer vers le haut. Si vous ne rencontrez aucun obstacle au-dessus de l'avant-trou, vous pouvez installer l'enceinte à l'envers. Si vous travaillez sur un mur extérieur, il est déconseillé d'installer l'enceinte à l'envers. Dans ce cas, percez un avant-trou ailleurs. Recommencez ensuite les étapes 3, 4 et 5.



### Réussite du test de mesure effectué sur l'avant-trou

Si vous êtes sûr que l'emplacement choisi peut accueillir une enceinte, et avant d'agrandir le trou, effectuez la même procédure de vérification afin de déterminer l'emplacement de la deuxième enceinte. Reportez-vous à la section « Perçage d'un avant-trou pour mesurer l'espace disponible à l'intérieur du mur » page 9, puis recommencez la procédure.

Si l'emplacement de la première enceinte convient, mais que celui de la deuxième ne convient pas, il peut être nécessaire de changer l'emplacement des deux enceintes.

### Rebouchage d'un avant-trou

Pour boucher l'avant-trou, servez-vous d'enduit de rebouchage. Laissez sécher la première couche, puis rajoutez de l'enduit en débordant légèrement. Après séchage complet, poncez la zone colmatée pour obtenir une surface lisse.

## Préparation du mur pour l'encastrement d'une enceinte

Pour obtenir les meilleurs résultats possibles, effectuez la procédure ci-dessous avec soin.

**⚠ ATTENTION :** À ce stade, interrogez-vous pour savoir si vous êtes capable de continuer ces travaux. Si vous n'êtes pas certain de pouvoir percer une ouverture et de tirer des câbles à l'intérieur du mur, n'allez pas plus loin. Vous pouvez alors vous adresser à un professionnel, lui expliquer en quoi consistent les travaux et lui demander un devis avant de recourir à ses services.

**⚠ AVERTISSEMENT :** Si vous pensez que l'isolant dans le mur peut contenir de l'amiante, ne percez pas de trou. Choisissez un autre emplacement pour les enceintes.

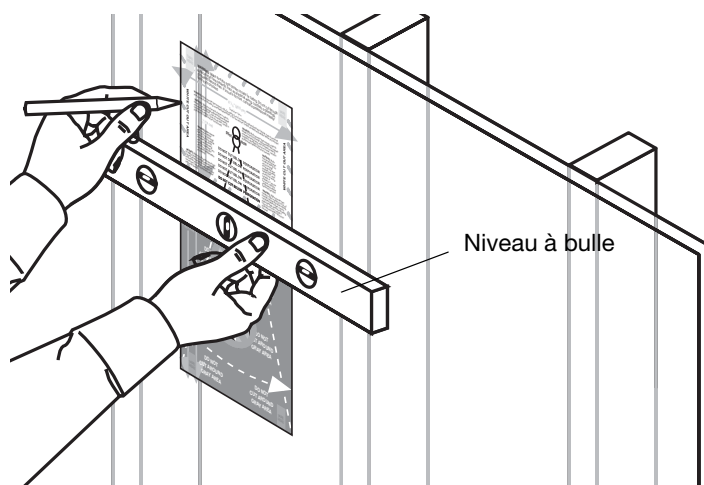
### Mesure et marquage de l'orifice à percer

✓ Pour cette étape, il vous faut un **niveau à bulle**, un **crayon bien taillé** et, si possible, du **ruban adhésif** à utiliser avec le gabarit.

1. Placez soigneusement le gabarit sur l'avant-trou, à l'emplacement choisi pour l'une des enceintes.
2. Assurez-vous que le gabarit est droit (Figure 14).

**Figure 14**

Vérification de la position du gabarit



3. Maintenez le gabarit en place à l'aide d'un ruban adhésif si nécessaire, puis tracez un trait en suivant le contour de la zone « ZONE BLANCHE À DÉCOUPER ».

## PROCÉDURE D'INSTALLATION

4. En suivant les fentes situées au bas de la zone « ZONE BLANCHE À DÉCOUPER », tracez une ligne en pointillés représentant le bas de l'ouverture à percer dans le mur.
5. Retirez le gabarit.

**Astuce :** Si nécessaire, fixez temporairement le gabarit à l'aide d'un ruban adhésif (voir l'inscription « COLLER ICI » sur le gabarit). Tracez ensuite un trait en suivant le contour du gabarit, à l'exception de l'endroit où vous avez placé le ruban adhésif.

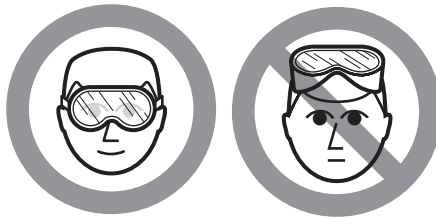
### Perçage de l'ouverture destinée à l'enceinte

- ✓ Pour cette étape, vous avez besoin d'une petite scie ou d'un outil de découpe spécialisé (scie à guichet ou scie à placoplâtre, par exemple).

▲ **AVERTISSEMENT :** Utilisez des lunettes de protection (Figure 15) et respectez toutes les consignes de sécurité lors de l'utilisation de la scie ou de l'outil de découpe.

#### Figure 15

Avertissement sur le risque de percer un trou sans lunettes de protection



1. Avant de découper, il est préférable de percer des trous à l'intérieur de chaque coin du rectangle que vous avez tracé. Insérez la lame dans l'avant-trou et découpez en biais vers le bas jusqu'à atteindre l'une des lignes tracées au crayon.

**Astuce :** Il est important de travailler avec soin, mais n'oubliez pas que le cadre de l'enceinte recouvre les bords de la découpe de 0,6 cm une fois que l'enceinte est en place. Le cadre masque donc les petits défauts dus à une découpe irrégulière.

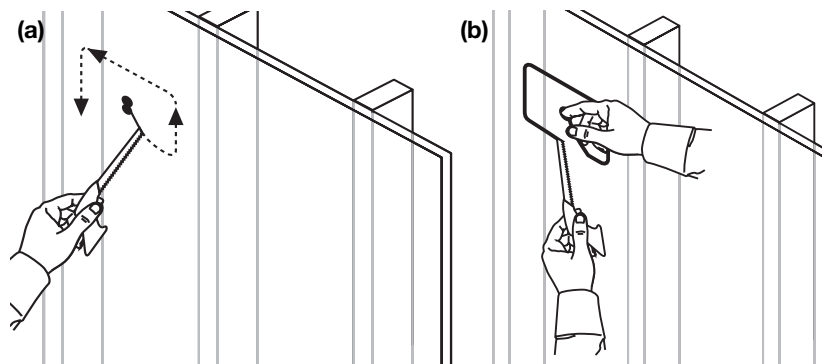
2. Découpez trois des quatre côtés du contour que vous avez tracé, mais pas tout le pourtour (Figure 16a).

▲ **AVERTISSEMENT :** N'approchez pas les doigts de la lame.

3. Placez un doigt dans l'avant-trou pour retenir la partie découpée, puis terminez la découpe (Figure 16b).
4. Retirez la partie découpée.

#### Figure 16

Découpe le long du contour (a) en utilisant un doigt pour retenir la partie découpée (b)



**Si un isolant se trouve à l'intérieur du mur :**

Les murs extérieurs sont très souvent dotés d'un isolant. C'est parfois aussi le cas des murs intérieurs. Si l'isolant est mou, vous pouvez le découper et le retirer pour libérer de l'espace pour l'enceinte. Certains types d'isolants sont cependant difficiles à manipuler, voire dangereux.

**⚠ ATTENTION :** Lorsque vous introduisez votre main à l'intérieur du mur, assurez-vous qu'il n'existe pas de clou caché.

**⚠ ATTENTION :** Munissez-vous de gants, d'un masque de protection couvrant la bouche et le nez, ainsi que de lunettes de protection avant de manipuler tout isolant en laine de verre.

**Réorientation ou changement des cadres des enceintes****Réorientation du logo rectangulaire**

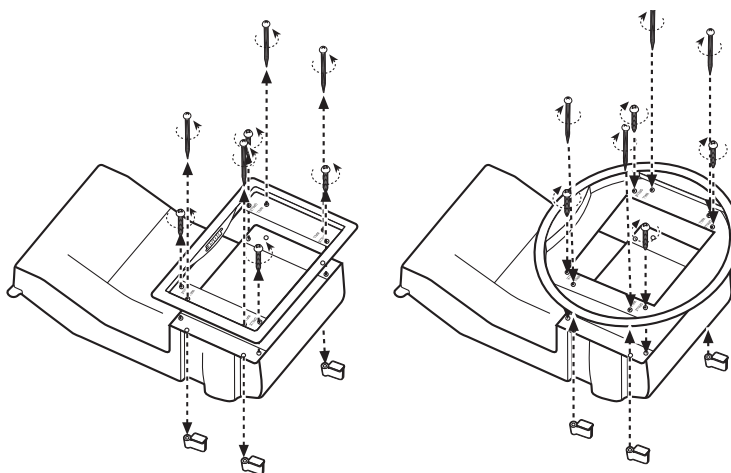
Si vous êtes obligé d'encaster l'enceinte à l'envers en raison d'un manque de place en dessous de l'ouverture, vous devez d'abord réorienter le logo.

Pour ce faire, retirez le cadre de l'enceinte, faites-le pivoter sur 180 °, puis fixez-le à nouveau. Le cadre est fixé à l'aide de quatre vis à insérer dans les trous intitulés GRILLE (voir Figure 17 ci-dessous et Figure 23 page 18). Ne les confondez pas avec les vis de blocage (qui s'insèrent dans les trous marqués WALL).

N'insérez pas les enceintes dans le mur sans avoir fixé un cadre au préalable. Le cadre empêche l'enceinte de tomber dans le mur.

**Figure 17**

Remplacement du cadre rectangulaire de l'enceinte par le cadre circulaire

**Installation de cadres d'enceintes circulaires**

Si vous avez choisi d'utiliser les cadres circulaires, installez-les maintenant en déposant les quatre vis qui retiennent chaque cadre rectangulaire et en les réutilisant pour fixer les cadres circulaires (Figure 17). Le logo se trouve dans la grille circulaire, que vous positionnez plus tard.

**Encastrement et câblage de l'enceinte**

- ✓ Pour cette étape, vous avez besoin d'un **tournevis cruciforme Phillips et, si possible, de ruban adhésif.**

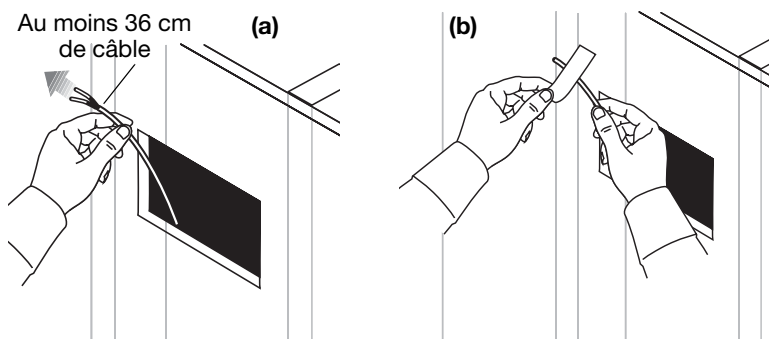
Si le câble de l'enceinte n'est pas déjà installé, reportez-vous à la section « Que faire si la pièce n'est pas pré-câblée » page 24. Lorsque le câble se trouve à portée de l'ouverture que vous avez découpée, procédez comme suit :

1. De l'intérieur de l'ouverture, tirez au moins 36 cm du cordon pré-câblé de l'enceinte (Figure 18 page 16).

## PROCÉDURE D'INSTALLATION

**Figure 18**

Tirer le câble vers l'extérieur, vers le haut sur la gauche (a), et le fixer au ruban adhésif (b).



2. Avec du ruban adhésif, attachez provisoirement l'extrémité libre du câble au-dessus de l'ouverture, sur la gauche (Figure 18b). De cette manière, le câble est dégagé de votre champ d'action jusqu'à ce que vous insérez partiellement l'enceinte dans le mur et soyez prêt à faire les branchements.

**Insertion de l'enceinte dans l'ouverture**

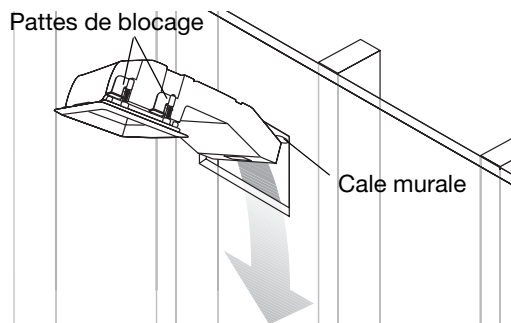
Avant d'effectuer la procédure ci-dessous, vérifiez qu'aucune des pattes de blocage (deux de chaque côté) ne dépasse derrière le cadre de l'enceinte. Si tel est le cas, appuyez dessus pour les enfoncer derrière le cadre, de sorte que l'enceinte entre dans l'ouverture.

**Astuce :** Desserrez légèrement les bornes à vis dans le coin supérieur gauche de l'enceinte avant d'encastrer cette dernière, pour faciliter les branchements ultérieurs.

1. Portez l'enceinte à deux mains en l'inclinant légèrement de façon à la présenter de biais dans l'ouverture. Vous disposez ainsi d'espace pour les cales murales.
2. Introduisez le bas du boîtier dans l'ouverture en l'insérant partiellement vers le bas ou vers le haut, selon l'espace dont vous disposez (Figure 19).

**Figure 19**

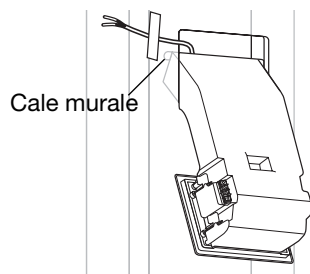
Insertion partielle de l'enceinte rectangulaire ou circulaire



3. Laissez l'enceinte dans cette position, partiellement appuyée sur les cales murales pour l'empêcher de tomber (Figure 20). Vous pouvez ainsi accéder facilement aux bornes de branchement dans le coin supérieur gauche de l'enceinte.

**Figure 20**

Enceinte bloquée par les cales murales



### Branchement de l'enceinte

- ✓ Pour cette étape, vous avez besoin d'un **tournevis cruciforme Phillips**.

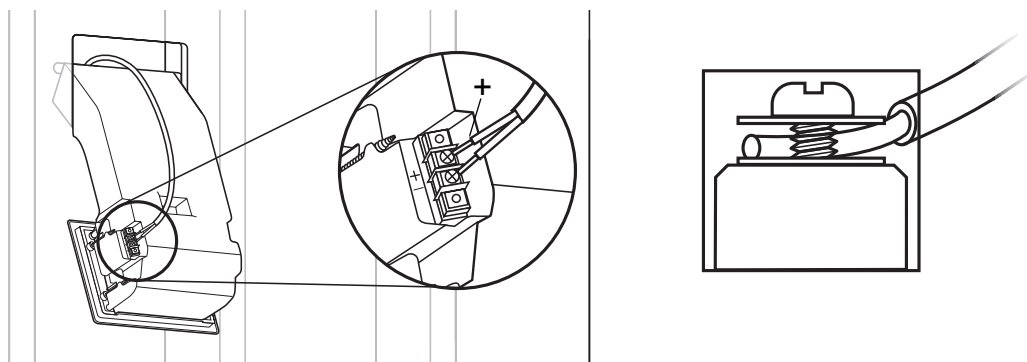
**Astuce :** *Respectez scrupuleusement la polarité des branchements (le + sur le + et le – sur le –). Toute erreur nuirait aux performances sonores de l'enceinte. Veillez à bien serrer toutes les vis, sans pour autant créer trop de pression sur le câble.*

1. Si ce n'est déjà fait, desserrez les vis des deux bornes.
2. Insérez l'extrémité du câble marqué (+) dans la borne positive (+), puis serrez la vis (Figure 21).
3. Insérez l'extrémité du câble non marqué (–) dans la borne négative (–). Serrez la vis.

**⚠ ATTENTION :** *Veillez à ce qu'aucun câble effiloché n'entre en contact avec un autre, faute de quoi vous risquez d'endommager vos appareils. Coupez le surplus de câble et insérez de nouveau le câble comme il convient.*

**Figure 21**

Fixation des câbles aux bornes



### Test de l'enceinte

Il est conseillé de vérifier que l'enceinte fonctionne correctement avant de l'encaster définitivement dans le mur. Vous pouvez ainsi accéder aux branchements en cas de besoin.

Il est préférable d'installer la deuxième enceinte dès maintenant, avant de procéder à des tests. Une fois la deuxième enceinte branchée, vous pouvez vérifier que les deux fonctionnent correctement avant de terminer leur installation.

**⚠ ATTENTION :** *Si vous testez la première enceinte avant de brancher la deuxième, assurez-vous qu'aucun autre câble n'est branché sur l'ampli-tuner. Vous éviterez ainsi que des câbles d'enceinte non branchés n'entrent en contact les uns avec les autres, ce qui risquerait d'endommager l'ampli-tuner.*

#### Pour tester l'enceinte :

1. Mettez l'ampli-tuner sous tension et passez un extrait de musique que vous connaissez bien.
2. Vérifiez les performances d'une enceinte en prêtant attention à la clarté et à la fidélité du son.
  - Si vous détectez un problème, reportez-vous à la section « Dépannage » page 27.
  - Si la qualité sonore est correcte, testez la deuxième enceinte ou terminez l'installation de cette enceinte.

### Encastrement de l'enceinte dans l'ouverture

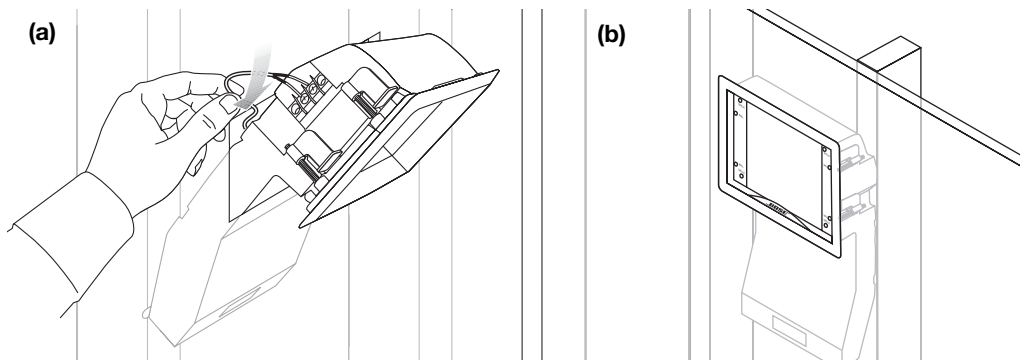
1. Une fois les branchements effectués, enfoncez l'excédent de câble dans l'ouverture, derrière l'enceinte (Figure 22 page 18).

## PROCÉDURE D'INSTALLATION

2. Vérifiez que le cadre est fermement fixé à l'avant de l'enceinte. Il empêche en fait l'enceinte de glisser complètement dans l'ouverture. Si vous devez inverser le cadre, reportez-vous à la Figure 17 page 15 afin de réorienter le logo Bose à l'avant de l'enceinte.
3. Introduisez à présent l'enceinte dans l'ouverture jusqu'à ce que sa face avant soit droite et affleurante sur le mur (Figure 22b).

**Figure 22**

Enfoncement de l'excédent de câble dans l'ouverture (a) et encastrement de l'enceinte dans l'ouverture (b)

**Fixation de l'enceinte au mur**

**⚠ ATTENTION :** Si vous utilisez une visseuse électrique pour serrer les vis, sélectionnez d'abord le couple de serrage le plus faible (ne dépassez pas 0,2 à 0,5 Nm). Si la vis ne s'enfonce pas correctement, passez au couple de serrage supérieur ou vissez-la manuellement.

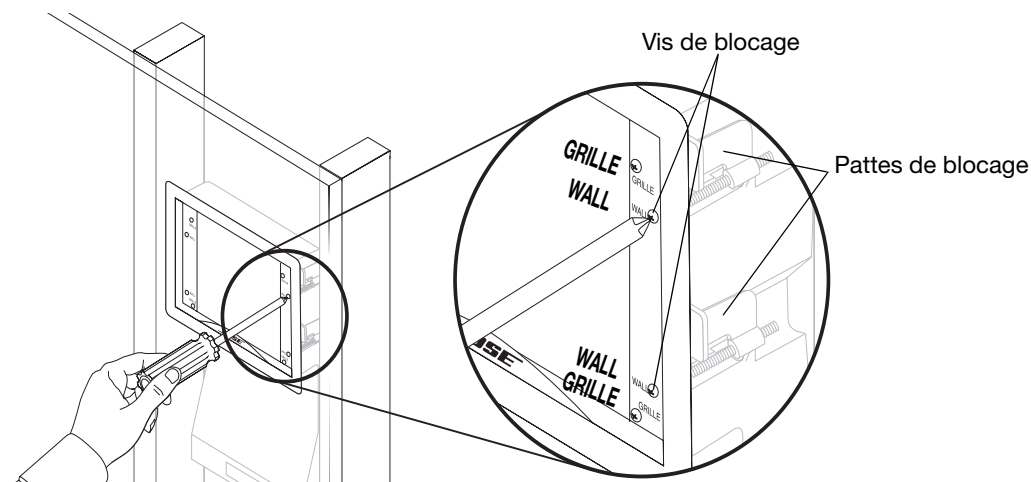
Une fois que l'enceinte est encastrée dans l'ouverture de façon parfaitement alignée avec le mur, vous pouvez serrer les vis de blocage, marquées WALL (mur) sur les côtés du cadre. Les pattes de blocage exercent une force depuis l'intérieur pour maintenir fermement l'enceinte contre le mur. Ne confondez pas les vis de blocage avec les vis marquées GRILLE, qui retiennent le cadre.

**⚠ ATTENTION :** Serrez fermement ces vis, sans toutefois exercer de pression excessive. Vous risqueriez d'écraser la plaque de plâtre, qui pourrait alors s'effriter. La surface deviendrait irrégulière et pourrait créer un vide entre l'avant de l'enceinte et le mur.

1. Serrez les quatre vis des pattes de blocage (Figure 23) jusqu'à ce qu'elles commencent à prendre appui. L'effet de pression est créé par les pattes qui tournent et se rétractent en s'appuyant sur l'arrière de la plaque de plâtre.
2. Saisissez le cadre de l'enceinte et placez-le correctement en le faisant légèrement basculer. Avant de serrer les vis à fond, vérifiez que l'avant de l'enceinte est bien à plat et ajustez-la si nécessaire.

**Figure 23**

Serrage des vis de blocage



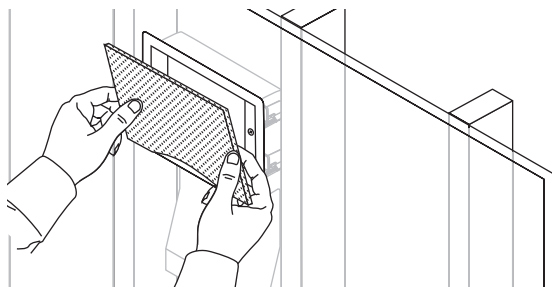
3. Une fois que l'enceinte est bien droite, serrez toutes les vis.

### Fixation des grilles rectangulaires

1. Alignez le bord courbé de la grille sur la courbe du logo Bose®, puis, en appuyant dessus, insérez-le en premier dans le cadre de l'enceinte (Figure 24).
2. Appuyez fermement sur le haut de la grille jusqu'à rencontrer une résistance. Lorsque la grille est parfaitement alignée sur le cadre de l'enceinte, elle est correctement fixée.

**Figure 24**

Enclenchement de la grille



### Si l'enceinte est de travers

Si, en vous éloignant du mur, vous constatez que l'enceinte n'est pas droite, ajustez-la dès maintenant :

1. Retirez la grille en insérant une lame fine entre le cadre de l'enceinte et la grille, et faites délicatement lever.
2. Desserrez légèrement les quatre vis de blocage appelées WALL (mur).
3. Appuyez sur les côtés du cadre pour pousser l'enceinte vers le haut ou vers le bas, dans la position appropriée.
4. Faites quelques pas en arrière pour vérifier que l'enceinte est bien droite. Si elle est encore de travers, recommencez l'étape 3.
5. Serrez les quatre vis de blocage.
6. Remettez la grille en place.

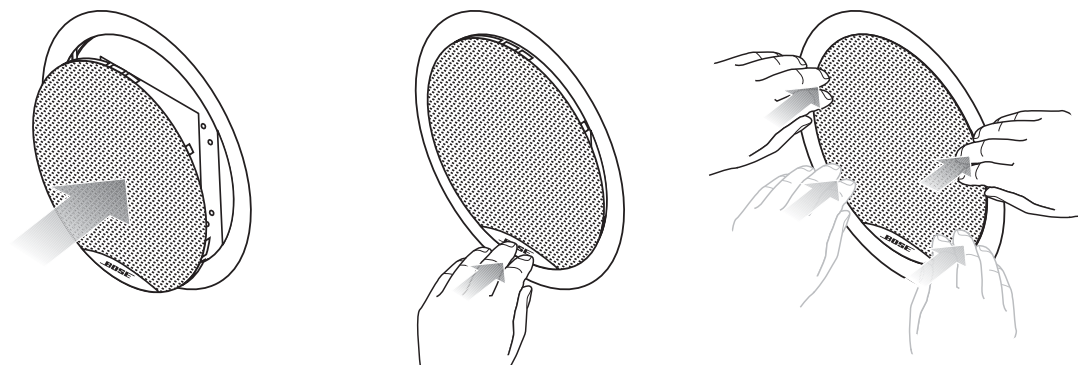
### Fixation des grilles circulaires

1. Alignez le logo Bose dans la position désirée.
2. Placez d'abord le logo Bose dans le cadre de l'enceinte. Reportez-vous à la section Figure 25.
3. Amenez-le doucement jusqu'à la partie supérieure du cadre de la grille, en vous servant des deux mains pour insérer les onglets de la grille dans le cadre. Veillez à ne pas tordre les onglets de façon permanente.

🎵 **Remarque :** Lorsque la grille est insérée dans le cadre, il n'est pas possible de repositionner le logo. Assurez-vous que la position est correcte avant d'insérer entièrement la grille dans le cadre.

**Figure 25**

Fixation des grilles circulaires



## RÉFÉRENCE

### Peinture des enceintes

Vous pouvez peindre la grille et le cadre de vos enceintes Virtually Invisible® 191 avant ou après l'installation des enceintes. Ceci n'est toutefois pas obligatoire, et Bose décline toute responsabilité quant à la qualité de l'adhérence ou de la finition des peintures qui ne sont pas appliquées en usine.

Différentes techniques permettent de peindre la grille et le cadre. Veillez à utiliser la peinture qui convient à la méthode employée.

**AVERTISSEMENT :** *Respectez les consignes de sécurité associées aux produits chimiques concernés. Vous devez notamment travailler dans une pièce bien aérée et utiliser des lunettes de protection, un masque respiratoire ou filtrant et le matériel de sécurité contre les incendies approprié si vous utilisez des solvants inflammables.*

#### Peinture de la grille

Il est important d'empêcher la peinture d'obstruer les ouvertures de la grille, ce qui nuirait aux performances des enceintes. Vous pouvez utiliser la technique du pinceau ou de la pulvérisation. Toutefois, n'utilisez pas de rouleau.

- Retirez la grille de l'enceinte, si elle est déjà en place.
- Avant de commencer à peindre, nettoyez la grille pour retirer les impuretés potentielles. Même les empreintes digitales risquent d'empêcher d'obtenir une couverture uniforme.
- Veillez à ce que la peinture soit distribuée uniformément et couvre entièrement la grille. Dans le cas contraire, il peut être nécessaire de peindre l'intérieur de la grille pour résoudre le problème.
- Après séchage, protégez la grille peinte à l'aide d'un chiffon ou d'une feuille d'essuie-tout jusqu'à ce que vous la fixiez à l'enceinte.

#### Technique du pinceau :

Utilisez une peinture à l'eau non diluée. Veillez à protéger tout votre espace de travail à l'aide de papier, en prévoyant suffisamment grand pour pouvoir tamponner continuellement le pinceau.

1. Trempez l'extrémité d'un pinceau propre et sec dans la peinture.
2. Enlevez le surplus de peinture en passant le pinceau sur le papier. Une fois que vous distinguez les poils du pinceau, commencez à peindre la grille.
3. Passez légèrement le pinceau de gauche à droite à l'avant de la grille jusqu'à ce qu'il n'y ait plus de peinture sur le pinceau.

**Astuce :** *Si la peinture bouche les orifices de la grille, essayez de les déboucher en inclinant le pinceau ou en soufflant légèrement sur la partie obstruée.*

4. Recommencez la procédure ci-dessus jusqu'à ce que la grille soit entièrement recouverte.
5. Faites pivoter la grille de 180 ° et peignez de nouveau toute la surface, toujours en déplaçant le pinceau de gauche à droite.

#### Technique de pulvérisation :

Pour utiliser des peintures pour le bâtiment à l'eau ou à l'huile, vous devez les diluer. Vous pouvez ensuite les utiliser avec un pistolet à peinture réglé sur une pression de 2,1 bars, pour une application en éventail de 7,6 à 12,7 cm. Le taux de dilution dépend du type de peinture utilisé.

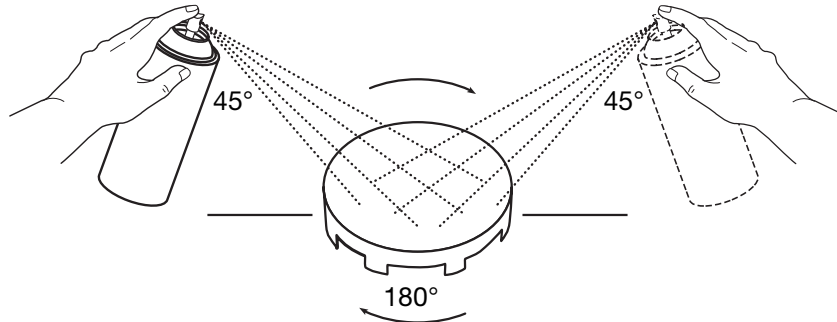
- Dilution des peintures à l'eau, vinyliques ou acryliques :  
Ajoutez 6 volumes de peinture et 3 volumes d'eau, puis mélangez bien. Ajoutez un volume d'alcool dénaturé (pour dissoudre les particules de peinture et éviter qu'elles ne bouchent la grille), puis mélangez de nouveau.
- Utilisation de peintures pour le bâtiment ou automobiles :  
Ce type de peinture doit être utilisé par un professionnel disposant de l'équipement et du savoir-faire adéquats. Cette peinture doit elle aussi être diluée à l'aide d'un solvant.
- Les laques et autres peintures à l'émail s'achètent sous forme d'aérosol ; il est inutile de les diluer.



1. Pour éviter de projeter des poussières ou des particules de peinture sèche sur les orifices de la grille, attachez la grille en hauteur ou placez-la sur du grillage.
2. Appliquez la peinture sur la surface de la grille suivant un angle de 45 °. Faites ensuite pivoter la grille de 180 °, puis appliquez de nouveau la peinture à 45 °.

**Figure 26**

Application de deux couches de peinture avec pivotement de la grille



**Astuce :** Il est déconseillé d'essayer de déboucher les orifices obstrués de la grille en utilisant un outil pointu, car vous risquez d'endommager la grille. Pour y parvenir, soufflez doucement sur la zone obstruée. Si cette méthode n'est pas efficace, nettoyez immédiatement la grille à l'aide d'un solvant approprié. Assurez-vous que la grille est bien sèche avant d'appliquer la deuxième couche.

La peinture peut sembler sèche après quelques minutes. Cependant, si vous avez ajouté de l'alcool, le séchage peut nécessiter plusieurs jours.

### **Peinture du cadre**

Avant de commencer, protégez les cônes de l'enceinte en positionnant le cache à peinture figurant dans le carton d'emballage. Vous pouvez alors utiliser le même matériel classique (rouleau ou pistolet pulvérisateur) que pour peindre les murs et les plafonds.

Vous pouvez utiliser des peintures à l'eau ou à l'huile, qui adhèrent au cadre de l'enceinte. Toutefois, ces peintures se rayent facilement.

Veillez à ce que la peinture ne coule pas et ne forme pas d'amalgame. Vous pouvez également utiliser un pinceau pour bien étaler la peinture.

## **Aide pour les débutants**

Les informations de cette section peuvent être utiles aux bricoleurs.

### **Composants facultatifs utiles :**

- Des vêtements appropriés
- Des gants, des lunettes et un masque de protection pour vous couvrir la bouche et le nez en cas d'exposition à un isolant.
- Une toile de protection ou tout autre matériau permettant de protéger la zone des projections
- Une aiguille pour acheminer le câble d'enceinte derrière la plaque de plâtre.
- Un tabouret solide ou une échelle pour installer les enceintes en hauteur.

### Accessoires utiles

Pour une installation dans un plafond suspendu (où une dalle est installée sous les solives), Bose propose en option un kit pour plafond suspendu (référence 031355) pour deux enceintes. Ce kit permet d'éviter que la dalle de plafond ne supporte le poids des enceintes. Reportez-vous aux instructions fournies avec le kit.

Pour une installation dans une nouvelle construction, Bose propose un kit de montage pour deux enceintes. Ce kit permet d'aménager un espace réservé aux enceintes une fois que les montants sont en place et avant que la plaque de plâtre ne soit posée. Il aide également à définir l'emplacement à perforet et à scier, dans lequel encastrer les enceintes. Il permet aussi de protéger la plaque de plâtre, car il offre un point d'appui supplémentaire pour les pattes de blocage qui stabilisent l'enceinte fixée au mur. Reportez-vous aux instructions fournies avec le kit.

Pour plus d'informations ou pour commander un accessoire, contactez votre revendeur Bose. Vous pouvez également contacter Bose directement. Il vous suffit de consulter la liste des adresses figurant dans le carton d'emballage.

### Utilisation d'un câble d'enceinte

Avant de couper un câble, calculez la longueur nécessaire en mesurant la distance entre l'ampli-tuner et le point d'installation de chaque enceinte. Comptez large en prévoyant le parcours du câble, s'il doit longer les coins de la pièce ou traverser les murs. Prévoyez au moins 36 cm en plus afin de pouvoir tirer sur le câble et faciliter les branchements. Prévoyez également une longueur supplémentaire si vous installez les enceintes dans le plafond, afin de pouvoir réaliser les connexions en restant au sol.

### Recommandations relatives aux câbles.

Section	Longueur maximale
0,82 mm <sup>2</sup>	6 m
1,3 mm <sup>2</sup>	9 m
2,1 mm <sup>2</sup> )	15 m

### Préparation du câble d'enceinte

Le câble d'enceinte se compose de deux fils isolés. La gaine de l'un d'eux est marquée (rayée, annelée ou striée) pour signaler qu'il s'agit du positif. L'autre gaine correspond au négatif.

 **Remarque :** Il est parfois difficile de distinguer les marques sur les fils. Vous devez donc faire très attention.

1. Dénudez la gaine des deux fils sur environ 13 mm. Munissez-vous **d'une pince coupante et d'une pince à dénuder**.
2. Torsadez les extrémités dénudées de façon à ce qu'aucun brin libre ne soit en contact avec les deux bornes.

Il est important que chaque fil soit connecté à la borne appropriée : le positif au positif (+) et le négatif au négatif (-).

### Avant la pose de la plaque de plâtre

Vous devez suivre quelques recommandations de base si vous installez des enceintes dans une construction non finie.

- Commencez cette procédure une fois les montants et les solives mis en place et le câblage électrique monté.
- Tracez une ligne sur le devant des montants ou au bas des solives à l'aide d'un cordeau à craie, et reculez-vous pendant le perçage des trous, de façon à voir le dernier trou percé.

- Ne faites jamais passer de câble d'enceinte et un câble électrique par le même trou ou dans la même boîte de dérivation.
- Si une courte section du câble doit longer un câble électrique situé à proximité, faites en sorte de limiter cette situation au strict minimum afin d'éviter les interférences.
- Utilisez des conduites métalliques ou un câble d'enceinte blindé si le câble doit longer le câble électrique sur plus de 3 m.
- Utilisez des colliers de serrage ou de grandes attaches pour fixer le câble à une solive ou à un montant si le câble est distant de plus de 1,4 m d'un trou.
- Utilisez des bandes de protection, des chemins de câbles ou des conduits pour éviter que le câble ne soit piétiné ou compressé sous les combles ou dans un vide sanitaire.

### **Installation dans un emplacement pré-câblé**

L'installation est très simple si la pièce a été pré-câblée lors de sa construction. En effet, le maître d'œuvre aura fait en sorte de rendre facilement accessible les câbles des enceintes. L'idéal serait qu'après avoir percé un trou pour y encastrer l'enceinte, vous puissiez atteindre facilement la longueur de câble installée par le maître d'œuvre.

Si vous n'êtes pas certain que la pièce est pré-câblée, ou si ne savez pas où le câblage est situé, consultez les plans de la pièce ou contactez votre maître d'œuvre.

**⚠ ATTENTION :** Il est très important de connaître l'emplacement des câbles pour éviter de les endommager lorsque vous percez des trous dans le mur.

### **Dans des murs finis**

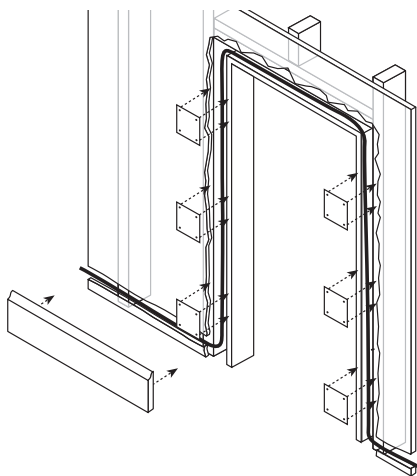
Voici quelques recommandations pour vous faciliter la tâche.

*Cherchez les moyens permettant de dissimuler les câbles lorsqu'ils ne passent pas dans les murs (voir Figure 27) :*

- le long des plinthes ou derrière,
- sous des tapis (si le câble d'enceinte est plat),
- au-dessus de l'hubriserie d'une porte.

**Figure 27**

*Acheminement du câble derrière les plinthes et au-dessus d'une hubriserie*



### Que faire si la pièce n'est pas pré-câblée

Dans ce cas, vous devrez faire passer le câble d'enceinte de l'ampli-tuner ou de l'amplificateur à travers le mur et l'acheminer jusqu'à l'emplacement choisi pour installer les enceintes. Vous devrez monter dans le mur une boîte de dérivation ouverte à l'arrière, à proximité de l'ampli-tuner ou de l'amplificateur (Figure 28).

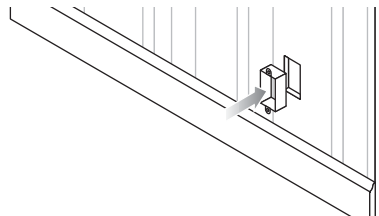
Vous devez également respecter les normes pratiques et de sécurité :

**AVERTISSEMENT :** Assurez-vous que l'emplacement choisi peut être percé sans danger. Ne percez pas des surfaces susceptibles de présenter des risques cachés, tels que des câbles électriques, des gaines ou des tuyaux. Respectez toutes les autres consignes de sécurité.

**AVERTISSEMENT :** Consultez les normes de construction applicables pour vous informer sur les exigences propres à votre région.

**Figure 28**

Boîte de dérivation ouverte à l'arrière, permettant au câble de traverser le mur à proximité de l'ampli-tuner ou de l'amplificateur



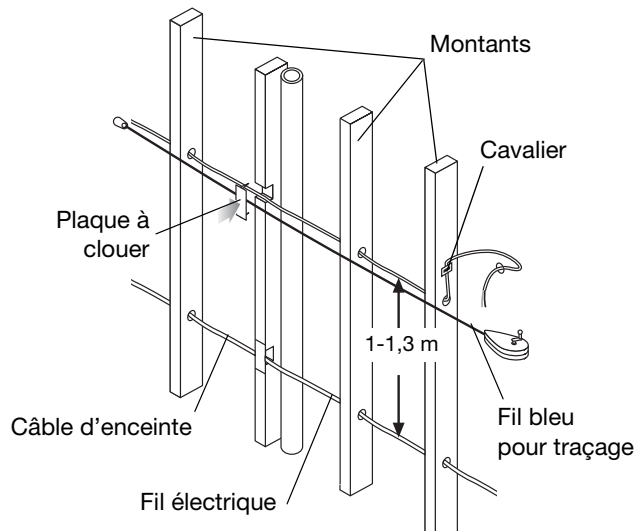
- Utilisez une mèche suffisamment large pour que le câble puisse passer à travers les trous.
- Utilisez une mèche à bois, si possible, pour faciliter le perçage des trous.
- Ne percez pas un trou à travers un montant qui supporte une charge. Contactez un professionnel si nécessaire.
- Ménagez plus d'un mètre entre le câble d'enceinte et le câble électrique, afin ne pas provoquer de bourdonnement ou de grésillement au niveau des enceintes. Reportez-vous à la section Figure 29 page 25.
- Pour éviter les clous, percez les trous au centre des montants ou des solives.
- Si cela n'est pas possible et que vous devez faire une encoche sur le montant ou la solive, utilisez une plaque à clouer pour protéger le câble.
- Alignez les trous de façon à faciliter le passage du câble.
- Tirez sur le cordon pour le tendre, sans toutefois créer une tension.

Cherchez le chemin le plus simple pour un câble qui doit passer derrière une plaque de plâtre :

- Choisissez des murs intérieurs, car il est peu probable de trouver un isolant derrière une plaque de plâtre.
- Utilisez un passage sous comble ou en sous-sol autant que possible, de façon à voir et accéder facilement aux tuyaux, fils électriques et tout autre obstacle.
- Dans un bâtiment à dalle flottante, il est préférable d'utiliser un câble ignifugé pour passer dans les gaines de chauffage ou de climatisation.

**Figure 29**

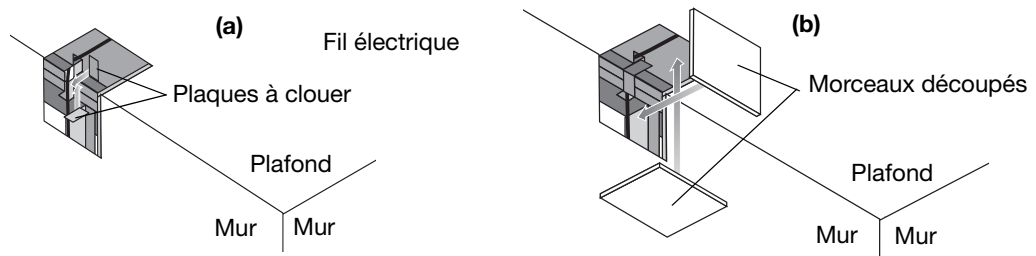
Techniques à utiliser pour faire passer le câble d'enceinte à travers les montants ou les solives



Si vous devez faire passer le câble le long d'un coin, découpez un rectangle dans la plaque de plâtre de part et d'autre de la solive au niveau de ce coin. Les deux morceaux découpés serviront à colmater le mur lorsque vous aurez terminé. Après avoir retiré les morceaux découpés, vous pouvez faire des encoches dans la solive pour y faire passer le câble et utiliser des plaques à clouer pour protéger le câble (Figure 30a).

**Figure 30**

Passage du cordon dans un coin avec des plaques à clouer comme protection (a) et des morceaux de plaque de plâtre découpés pour colmater les trous (b)

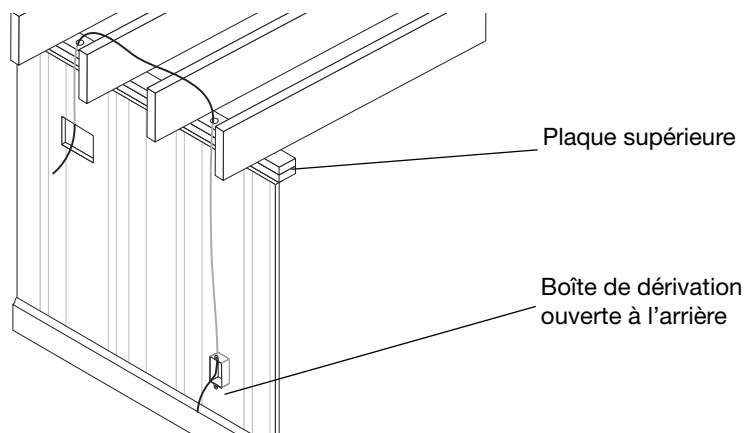


Pour colmater le mur, remettez les morceaux découpés en place et utilisez un ruban et un enduit à joints pour les maintenir. Après séchage complet, poncez et peignez cette partie du mur pour obtenir une surface lisse.

Il est courant de faire passer le câble d'une enceinte installée dans un mur ou au plafond par les combles, via une plaque supérieure en bois perpendiculaire aux montants verticaux. Une fois dans les combles, essayez de déterminer à quel niveau se trouve la boîte de dérivation située à proximité de l'ampli-tuner ou de l'amplificateur. Percez la plaque supérieure à cet endroit et faites descendre câble à travers le trou (Figure 31).

**Figure 31**

Acheminement du câble à travers les combles



### **Installation dans un mur extérieur**

Si vous choisissez d'installer les enceintes dans un mur extérieur (contigu à l'extérieur de votre maison), vous risquez de rencontrer un isolant derrière la plaque de plâtre. Par conséquent, l'installation peut devenir plus difficile et nécessiter de couper légèrement l'isolant mou avant de le sortir. Pour toute opération où vous êtes au contact d'un isolant en laine de verre, vous devez porter des lunettes de protection et des gants.

**AVERTISSEMENT :** *Si vous pensez que l'isolant situé dans le mur peut contenir de l'amiante, ne percez pas de trou. Choisissez un autre emplacement pour les enceintes.*

Cet isolant risque également de vous empêcher d'utiliser un avant-trou pour mesurer l'espace restant derrière la plaque de plâtre. Cette mesure est recommandée pour vérifier que l'espace disponible est suffisant avant de percer le trou où sera encastré l'enceinte.

### **Précautions à prendre lors de la perforation du plâtre et du sciage des lattes**

Lorsque le mur est composé de plâtre et de lattes, vous devez prendre des précautions particulières pour éviter l'apparition de fissures dans le plâtre :

- Après avoir tracé le contour de la partie à perforer, posez une bande adhésive autour du tracé et effectuez de légères entailles à l'aide d'un cutter à l'endroit où sera situé le trou.
- Retirez ensuite soigneusement les petits blocs de plâtre entaillés situés à l'intérieur du contour jusqu'à ce qu'une latte apparaisse.

Enfin, prenez d'extrêmes précautions lors du sciage de la latte. Une scie sauteuse électrique permet de réaliser cette opération rapidement, mais non sans risque. Il est conseillé d'utiliser une scie à main et de faire très attention pour éviter de fissurer le plâtre en dehors des limites tracées.

### **Recommandations spéciales pour les régions froides**

Dans les régions où la température extérieure est parfois inférieure à zéro, l'utilisation d'un humidificateur risque de provoquer de la condensation à l'intérieur des enceintes. Ce problème est encore plus sérieux si les enceintes sont montées à l'envers.

Si vous souhaitez monter des enceintes dans un mur extérieur :

- Évitez d'installer les enceintes à l'envers.
- Laissez une partie de l'isolant entre les enceintes et le mur extérieur.
- Ne réglez pas l'humidificateur sur le niveau élevé, notamment lorsque la température extérieure est inférieure à zéro.

## Dépannage

Aucune des enceintes ne fonctionne	<ul style="list-style-type: none"> <li>• Vérifiez les réglages de votre ampli-tuner/amplificateur. Pour plus d'informations sur ces réglages, reportez-vous à la notice d'utilisation fournie avec cet appareil.</li> <li>• Si les enceintes Virtually Invisible® 191 constituent le deuxième jeu d'enceintes connecté à l'ampli-tuner/amplificateur, vérifiez que les branchements ont bien été effectués sur les bornes « B » et que les enceintes « B » sont sélectionnées.</li> </ul>
Graves ou aigus faibles	<ul style="list-style-type: none"> <li>• Vérifiez le réglage des graves/aigus sur l'amplificateur/ampli-tuner.</li> <li>• Vérifiez que la polarité des branchements entre l'ampli-tuner/amplificateur et les enceintes est correcte, à savoir le + sur le + et le – sur le –. Reportez-vous à la section « Branchement de l'enceinte » page 17.</li> </ul>
Seule une des enceintes fonctionne	<ul style="list-style-type: none"> <li>• Vérifiez que la commande de balance de l'ampli-tuner/amplificateur est réglée au centre.</li> <li>• Vérifiez le câble de raccordement sur l'enceinte qui ne délivre aucun son. Vérifiez que les conducteurs sont en bon état et que leur branchement est correct. Reportez-vous à la section « Branchement de l'enceinte » page 17.</li> </ul>
L'une des enceintes ne fonctionne toujours pas	<ul style="list-style-type: none"> <li>• Contrôlez le câble reliant l'enceinte en question et l'ampli-tuner/amplificateur. Débranchez le câble du canal de l'ampli-tuner/amplificateur et branchez-le sur un autre canal. <ul style="list-style-type: none"> <li>– Si l'enceinte fonctionne correctement après cette manipulation, le problème provient du canal d'origine de l'ampli-tuner/amplificateur, de la source de musique ou des branchements entre l'ampli-tuner/amplificateur et la source. Vérifiez que tous ces composants fonctionnent correctement. Rebranchez l'enceinte sur le canal approprié d'un ampli-tuner/amplificateur en bon état de marche.</li> <li>– Si le problème persiste, il provient soit du câble d'enceinte, soit de l'enceinte elle-même. Suivez les instructions ci-dessous.</li> </ul> </li> <li>• Débranchez le câble de l'enceinte qui ne fonctionne pas, et branchez-le sur la deuxième enceinte. <ul style="list-style-type: none"> <li>– Si la deuxième enceinte fonctionne correctement après cette manipulation, le problème provient de l'enceinte d'origine. Contactez un revendeur Bose® agréé pour faire réparer votre matériel. Vous pouvez également contacter Bose directement. Il vous suffit de consulter la liste des adresses figurant dans le carton d'emballage.</li> <li>– Si le problème persiste, il provient du câblage des enceintes. Suivez les instructions ci-dessous.</li> </ul> </li> <li>• Avant de remplacer et de réinstaller le câble d'enceinte, vérifiez de nouveau tous les branchements. Recommencez la procédure ci-dessus pour déterminer la cause du problème.</li> </ul>
Du bruit parasite sort de l'une des enceintes	<ul style="list-style-type: none"> <li>• Vérifiez les branchements de l'enceinte et de l'ampli-tuner/amplificateur. Assurez-vous que les câbles sont en bon état, que leur branchement est correct et qu'aucun câble n'est en contact. Contrôlez aussi les branchements entre l'ampli-tuner/amplificateur et la source de musique. <ul style="list-style-type: none"> <li>– Si le problème persiste, suivez les instructions de dépannage présentées à la section « L'une des enceintes ne fonctionne toujours pas » ci-dessus.</li> </ul> </li> </ul>

## Service client

Pour obtenir de l'aide afin de résoudre vos éventuels problèmes, contactez votre revendeur Bose. Vous pouvez également contacter le service clients de Bose®. Pour ce faire, consultez la liste des adresses figurant dans le carton d'emballage.

## Durée de la garantie

Les enceintes Virtually Invisible® 191 sont couvertes par une garantie limitée transférable de 5 ans. Les conditions détaillées de cette garantie figurent sur la carte de garantie accompagnant les enceintes. Veuillez remplir la section « Information » de la carte, puis la renvoyer par courrier à Bose.

## Accessoires

- Kit de plafond suspendu pour deux enceintes  
Soulage la dalle de plafond du poids des enceintes. Instructions fournies.
- Kit de montage pour deux enceintes  
Réserve un espace pour les enceintes, après la mise en place des montants et avant la pose des plaques de plâtre. Ce kit facilite également le repérage de l'emplacement à perforeur pour encastrer les enceintes. Instructions fournies.

Pour plus d'informations, ou pour commander des accessoires, contactez votre revendeur Bose® agréé. Pour contacter Bose directement, consultez la liste des adresses figurant dans le carton d'emballage.

## Caractéristiques techniques

### Fonctions

- Design Virtually Invisible® et Articulated Array®
- Technologie propriétaire pour le boîtier
- Performances des enceintes Stereo Everywhere®
- Grille pouvant être peinte
- Contrôle qualité informatisé Syncom®

### Compatibilité

- Compatibles avec les amplificateurs et ampli-tuners de 10 à 100 W par canal, sous une charge de 4 à 8 Ohms
- Puissance admissible : 50 W IEC en continu, avec charge de 6 Ohms

### Haut-parleurs

- Deux (2) haut-parleurs à large bande de 6,4 cm par enceinte

### Caisson

- Caisson à évent en polystyrène moulé à haute résistance
- Cadre et grille de couleur blanche

### Dimensions

- Par enceinte :  
13<sup>3</sup>/<sub>4</sub>34,9 cm (H) x 19,9 cm (L) x 9,8 cm (P)
- Surface requise pour chaque enceinte au mur ou au plafond :  
Enceinte avec cadre rectangulaire : 20,5 cm (L) x 14 cm (H)  
Enceinte avec cadre circulaire : diamètre de 26 cm

### Poids

- 2,0 kg par enceinte





# VEILIGHEIDSINFORMATIE

## Waarschuwingen

Lees de gebruikershandleiding helemaal door voordat u begint. Overweeg vervolgens uw ervaring met het gebruik van het gereedschap en met het treffen van de voorzorgsmaatregelen waarnaar hier wordt verwezen. Als u niet zeker weet of u deze installatie zelf kunt verrichten, neemt u contact op met de dealer bij wie u het product hebt aangeschaft, met een elektricien of met een professionele audio-/video-installateur. U kunt het werk beschrijven en een prijsopgave aanvragen voordat u beroep doet op een installatiedienst.

**WAARSCHUWING:** De installatie dient plaats te vinden in overeenstemming met het toepasselijke gedeelte van de National Electrical Code, ANSI/NFPA 70, en/of de National Fire Alarm Code, ANSI/NFPA 72, zoals toepasselijk. De bedradingsmethode en afscheiding dienen zodanig te geschieden dat deze de werking van de luidspreker niet belemmeren.

**WAARSCHUWING:** Raadpleeg plaatselijke bouwverordeningen voordat u met deze installatie begint.

**WAARSCHUWING:** Dit product is niet bedoeld voor gebruik in lucht verwerkende plenumruimtes.

**WAARSCHUWING:** Als u de instructies in deze handleiding niet volgt, vervallen alle garanties op uw luidsprekers.

### **Gebruik deze instructies alleen bij houten frameconstructies of soortgelijke constructies.**

Voor elke luidspreker is 20,5 cm horizontale ruimte en 35,6 cm verticale ruimte binnen de muur of het plafond nodig, plus een diepte van minimaal 10,5 cm vanaf de wandplaat die maximaal 1,9 cm dik is.

Bose beveelt aan om deze luidsprekers uitsluitend in een houten frame of een soortgelijke constructie te installeren waarbij er genoeg ruimte tussen de balk is, zoals bij constructies in een wand of plafond met balken van 5 x 10 cm of 5 x 15 cm. De instructies in deze handleiding gelden specifiek alleen voor dit soort installatie.

**Opmerking:** Deze luidsprekers zijn niet bestemd voor installatie in gemetselde muren of plafonds.

### **Belangrijke veiligheidsinstructies**

1. Lees deze instructies – voor alle componenten voordat u het product gebruikt.
2. Bewaar deze instructies – voor toekomstig gebruik.
3. Sla acht op alle waarschuwingen – op het product en in de gebruikershandleiding
4. Volg alle instructies.
5. Blokkeer de ventilatieopeningen niet, volg de installatie-instructies van de fabrikant.
6. Gebruik uitsluitend de bevestigingen/accessoires die zijn opgegeven door de fabrikant.

De Bose® Virtually Invisible® 191-luidsprekers voldoen aan de volgende specificaties:

**CE** Dit product voldoet aan de EMC-richtlijn 89/336/EEG en aan de richtlijn inzake laagspanning 73/23/EEG. De volledige conformiteitsverklaring kunt u vinden op <www.bose.com>.

### **Ter notering**

De serienummers bevinden zich midden achter op elk van de Virtually Invisible® 191-luidsprekers.

Serienummers: \_\_\_\_\_ en \_\_\_\_\_

Naam van dealer: \_\_\_\_\_

Telefoonnummer van dealer: \_\_\_\_\_

Aankoopdatum: \_\_\_\_\_

Het wordt aanbevolen om uw bewijs van aankoop en de garantiekaart bij uw gebruiksaanwijzing te bewaren.

<b>INTRODUCTIE</b>	<b>4</b>
Voordat u begint...	4
Dat wat deze luidspreker beter maakt, maakt hem tevens anders	4
<b>VOORBEREIDING</b>	<b>5</b>
Uitpakken	5
Andere benodigd gereedschap	5
Besluiten waar u de luidsprekers wilt plaatsen	6
Drie tips om de luidsprekers juist te plaatsen	6
De vorm bepalen voor uw luidsprekers	7
Uw wandtype overwegen en de juiste aanpak voor de installatie	7
Plaatsing in muren	7
Plaatsing in plafonds	8
<b>INSTALLATIESTAPPEN</b>	<b>9</b>
Voordat u gaten maakt	9
Een geleidegat boren om de wandruimte te testen	9
De sjabloon gebruiken	9
Het geleidegat boren	10
De ruimte achter het gat testen	11
De geleidegattest uitvoeren	13
Een geleidegat repareren	13
De wand voorbereiden op het invoegen van de luidspreker	13
De uit te snijden opening meten en markeren	13
Het gat voor de luidspreker uitsnijden	14
Luidsprekersframes heroriënteren of wijzigen	15
Het rechthoekige framelogo heroriënteren	15
Ronde luidsprekerframes installeren	15
De luidspreker invoegen en bedraden	15
De luidspreker in de opening steken	16
De luidsprekeraansluitingen maken	17
Test de luidspreker nu	17
De luidspreker helemaal in het gat plaatsen	17
De luidspreker aan de wand bevestigen	18
Rechthoekige roosterframes bevestigen	19
Ronde roosters bevestigen	19
<b>AANVULLENDE INFORMATIE</b>	<b>20</b>
De luidsprekers verven	20
Het rooster verven	20
Het frame verven	21
Hulp voor een beginnende installateur	21
Optionele items die kunnen helpen:	21
Accessoires die kunnen helpen	22
Luidsprekerkabel gebruiken	22
De luidsprekerkabel voorbereiden	22
Voordat de wandplaat wordt gemonteerd	22
Installatie in een ruimte die vooraf bedraad is	23
Als de wanden al zijn afgewerkt	23
Wat te doen als de ruimte niet vooraf bedraad is	24
Installeren in een buitenwand	26
Wees voorzichtig bij het snijden door pleisterwerk	26
Speciale overwegingen in regio's met een koud klimaat	26
Problemen oplossen	27
Klantenservice	27
Garantieperiode	27
Accessoires	28
Technische informatie	28

# INTRODUCTIE

## Voordat u begint...

**WAARSCHUWING:** Zorg dat u deze handleiding zorgvuldig doorleest voordat u begint te snijden. U moet met veel verschillende factoren rekening houden voordat u dit soort installatie uitvoert.

Hartelijk dank voor uw keuze om de Bose® Virtually Invisible® 191-luidsprekers te installeren. Dankzij de innovatie constructie en het geavanceerde ontwerp kunnen deze luidsprekers een geweldige Bose-kwaliteit leveren ondanks hun kleine formaat.

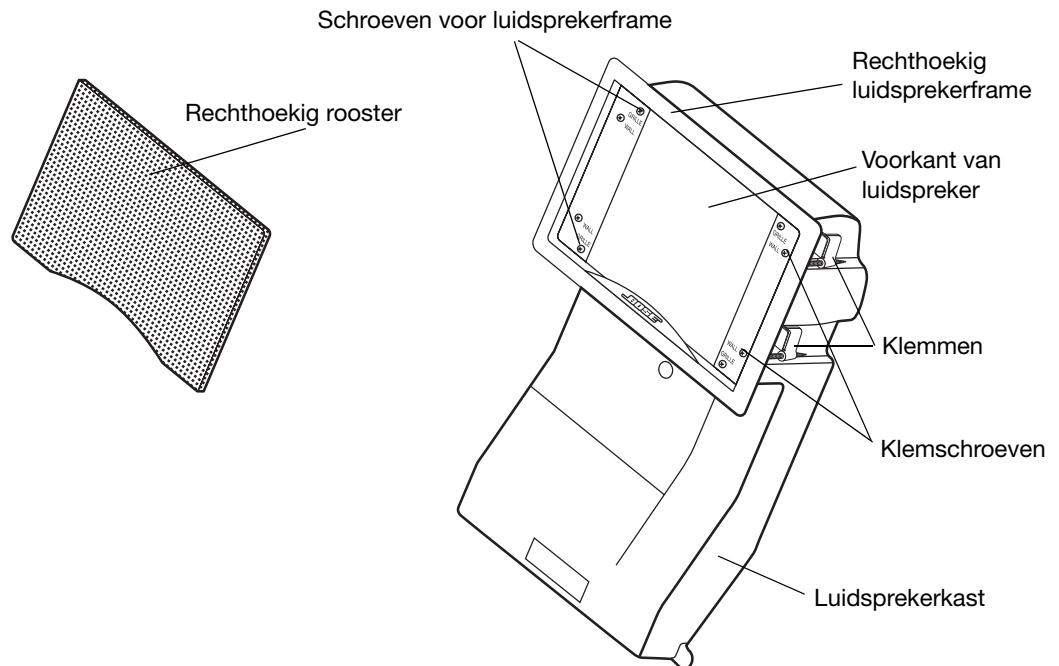
Virtually Invisible® 191 is een Articulated Array® luidsprekerconfiguratie die het heldere, levensechte geluid en de gelijkmatige spreiding leveren die bekend staan als de Bose Stereo Everywhere® luidsprekerprestatie.

## Dat wat deze luidspreker beter maakt, maakt hem tevens anders

De Virtually Invisible® 191-luidsprekers nemen erg weinig wandruimte in als ze geïnstalleerd zijn. Wat u niet meteen kunt zien, is het geavanceerde kastontwerp, getoond in Figuur 1. Dit ontwerp zorgt voor een voorspelbare goede prestatie, wanneer de luidspreker geïnstalleerd zijn, ongeacht het formaat en de vorm van de wandruimte. Dit helpt tevens te voorkomen dat luidspreker geluid andere ruimtes binnendringt, een veelvoorkomend probleem met conventioneel geïnstalleerde luidsprekers.

**Figuur 1**

Luidsprekerkast waaraan het rechthoekige frame is bevestigd



## Uitpakken

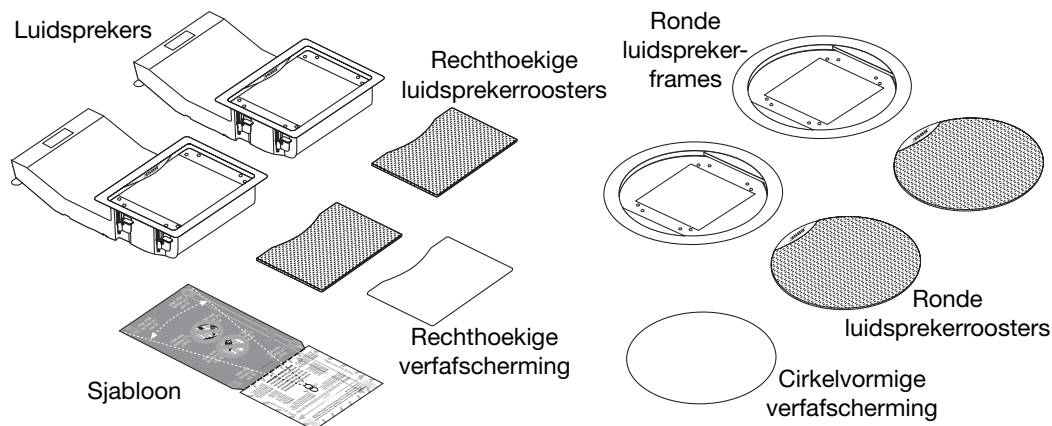
Pak de luidsprekers voorzichtig uit. Controleer of de doos alle onderdelen bevat die getoond worden in Figuur 2. Als er een deel van de luidspreker beschadigd lijkt te zijn, dient u beide luidsprekers niet te gebruiken. Neem onmiddellijk contact op met Bose of uw Bose-dealer. Zie de adreslijst die bij de doos is ingesloten voor contactinformatie.

**Opmerking:** Dit is het juiste moment om de serienummers op de achterkant van elke luidspreker op te zoeken. Noteer de nummers op uw garantietaal en in het vak "Ter notering" op pagina 2.

### Figuur 2

Inhoud van de doos:

- 2 luidsprekers met rechthoekige frames bevestigd
- 2 rechthoekige luidsprekerroosters
- 1 rechthoekige verafscherming
- 1 sjabloon
- 2 ronde luidsprekerframes
- 2 ronde luidsprekerroosters
- 1 ronde verafscherming



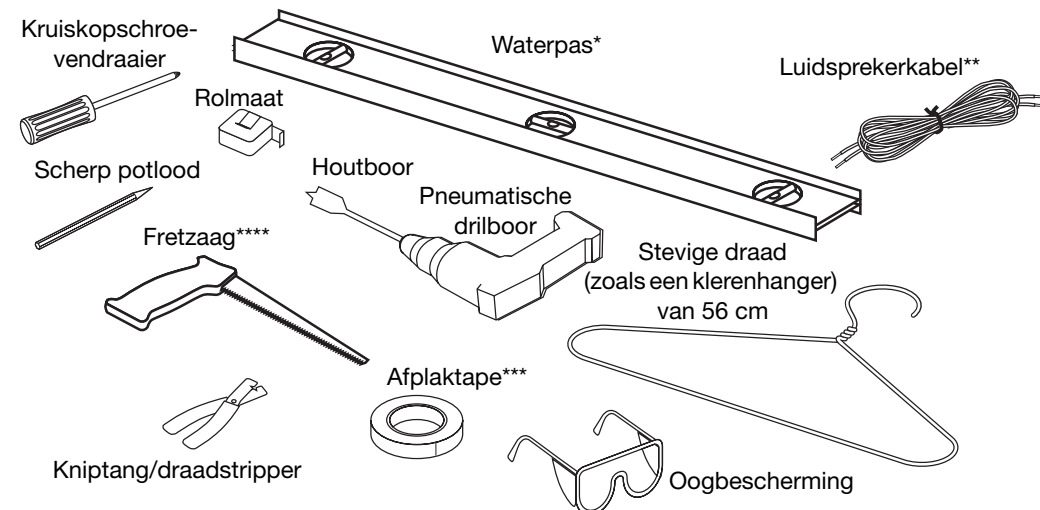
### Andere benodigd gereedschap

Gereedschap om de luidspreker aan een wand of plafond te bevestigen is op de luidspreker bevestigd. U hebt echter ook andere gereedschappen en instrumenten nodig om de luidsprekers te installeren (Figuur 3).

Zie "Hulp voor een beginnende installateur" op pagina 21 voor meer informatie over het werken met gereedschappen, materiaal en andere doe-het-zelf instructies.

### Figuur 3

Vereiste artikelen om de luidsprekers volgens de instructies te installeren



\* Een waterpas wordt alleen aangeraden als u luidsprekers in een wand installeert.

\*\* De specificaties voor het luidsprekersnoer vindt u het gedeelte Aanvullende informatie in deze gids.

\*\*\* Afplaktape of ander lichtechtend plakband dat de verf of het behang niet beschadigt.

\*\*\*\* Snijgereedschap – voor gipsplaat: een fretzaag, zaag voor gipsplaat, slijptol of figuurzaag.

Voor pleisterwerk: een decoupeerzaag of een slijptol.

## Besluiten waar u de luidsprekers wilt plaatsen

Het ontwerp van uw Virtually Invisible® 191 luidsprekers maakt ze geschikt voor installatie in een wand of in een plafond. De gepaste installatieprocedure hangt af van de gekozen plaats. Overweeg de onderstaande opties en volg de instructies die van toepassing zijn op uw keuzes:

- Hoe gebruikt u de luidsprekers?
  - voor stereogeluid vooraan in een kamer of zithoek of
  - als voorste luidsprekers voor een Home Cinema of als achterste luidsprekers voor 'rondomgeluid'
- Op wat voor soort oppervlak installeert u de luidsprekers?
  - een binnenwand (aangrenzend aan een andere kamer) of buitenwand (aangrenzend aan de buitenkant van het huis) of plafond
  - in een bestaande constructie (met pleisterwerk of wandplaat) of in een nieuwe constructie

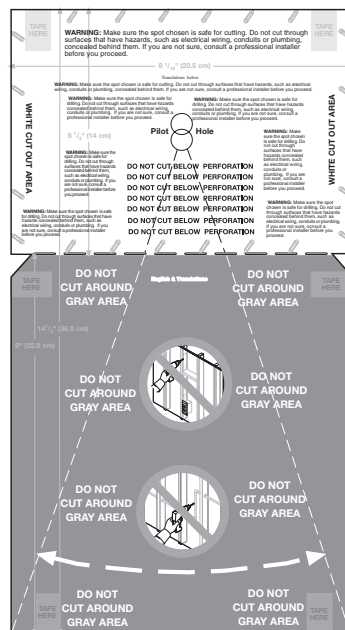
### Drie tips om de luidsprekers juist te plaatsen

1. Plaats de sjabloon tegen een wand of plafond om te bepalen hoe veel ruimte er voor de luidspreker nodig is. Elke luidsprekerkast strekt zich uit tot *in de wand of het plafond*, zoals getoond in het grijze NIET SNIJDEN gebied van de sjabloon (Figuur 4). In een wand kunt u de luidspreker rechtop of ondersteboven aanbrengen zodat de luidsprekers zich boven of onder het rooster bevindt.
2. Ultrasonic gereedschap kan u helpen om u ervan te vergewissen dat het luidsprekergat zich minstens 12 cm van een balk of plafondbalk bevindt.
3. Alle elektrische bedrading, ventilatiegaten en afvoerbuizen die zich in de wanden bevinden dienen vermeden te worden (Figuur 5 op pagina 7). Raadpleeg een vakman om te weten hoe u deze vindt en vermijdt.

🎵 **Opmerking:** In koude klimaten waar een luchtbevochtiger wordt gebruikt, dient u de luidspreker niet ondersteboven in een buitenwand te installeren om problemen met condensatie te voorkomen.

**Figuur 4**

Sjabloon



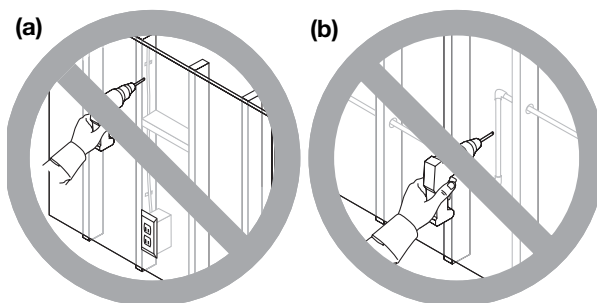
OM TE SNIJDEN  
Groot wit gebied geeft aan welk gebied u moet uitsnijden voor de voorkant van de luidspreker.

NIET OM TE SNIJDEN  
Groot grijs gebied geeft de ruimte aan die u achter de wand moet reserveren voor de luidspreker- behuizing.

**⚠ WAARSCHUWING:** De luidsprekerkast is niet zichtbaar achter de wand of het plafond als deze eenmaal geïnstalleerd is. Gebruik geen spijkers en snij of boor niet op dat oppervlakgebied. Als u de luidsprekerkast met een scherp gereedschap doorboort zal dit ernstige schade aan de luidspreker veroorzaken.

### Figuur 5

Waarschuwingen tegen onzichtbare gevaren zoals (a) elektrische draden of (b) afvoerbuizen achter de wandplaat



### De vorm bepalen voor uw luidsprekers

U kunt kiezen uit een rechthoekig of rond rooster – het gedeelte dat zichtbaar is wanneer de luidspreker geïnstalleerd is. Overweeg welke vorm het best werkt voor de locatie die u voor de luidsprekers hebt gekozen. De rechthoekige vorm is meestal het best geschikt voor wanden en de ronde vorm is het best geschikt voor plafonds.

U kunt rechthoekige frames eenvoudig verwijderen en vervangen door ronde frames. U kunt dit nu doen of wachten totdat u zeker weet of elke luidspreker past. **U dient de wijziging echter te maken voordat u de luidsprekers in de wand of het plafond steekt.** Het lipje van het luidsprekerframe voorkomt dat de luidspreker achter de wand glijdt en buiten uw bereik. Verwijder het frame niet terwijl de luidspreker zich in de wand bevindt. Zie “Luidsprekerframes heroriënteren of wijzigen” op pagina 15 voor instructies om luidsprekerframes te verwijderen en vervangen.

### Uw wandtype overwegen en de juiste aanpak voor de installatie

Als u de luidsprekers installeert in een vooraf bekabelde kamer met reeds aanwezige balken van 5 x 10 cm afgedekt met wandplaten, is de plaats voor uw luidsprekers al vastgelegd. Zie “Installatiestappen” op pagina 9. Deze instructies zijn bestemd voor installatie van de luidsprekers met een rond of rechthoekig rooster, in een wand of plafond.

Als uw installatie anders is, gebruikt u de volgende informatie om de juiste plaats voor uw luidsprekers te bepalen. Terwijl u besluit waar u elk luidsprekerrooster wilt plaatsen, dient u rekening te houden met de volgende richtlijnen:

**⚠ WAARSCHUWING:** Installeer de luidsprekers niet in de buurt van warmtebronnen, zoals halogeenlampen, ventilatieroosters, kachels of andere apparaten (inclusief versterkers) die warmte produceren.

### Plaatsing in muren

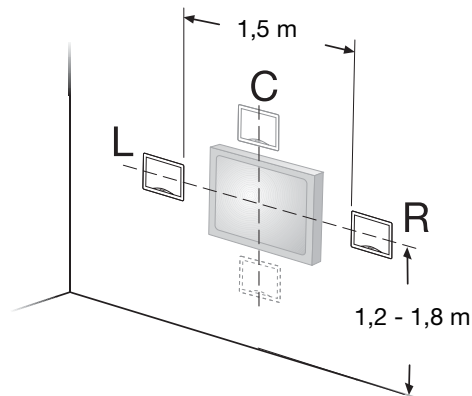
- De twee luidsprekers dienen op minimaal 1,5 m van elkaar geplaatst te worden.
- Bij luidsprekers die in een wand worden geïnstalleerd en stereogeluid voor in de kamer verschaffen of Home Cinema Surround Sound van achteren, dient u de luidsprekers zodanig te installeren dat ze zich 1,2 tot 1,8 m van de grond bevinden voor de beste prestatie.
- Voor in de wand geïnstalleerde Home Cinema luidsprekers voorin de ruimte, dient u de luidsprekers op een horizontale lijn met het midden van het videoscherm te installeren (Figuur 6 op pagina 8).

## VOORBEREIDING

- Plaats de in de muur aangebrachte luidspreker voor de middenuitgang boven of onder het videoscherm. Plaats deze luidspreker niet op het horizontale midden tussen voorste de linker- en rechterluidsprekers. Als u denkbeeldige lijnen trekt tussen de voorste linker-, midden- en rechterluidspreker, vormen deze lijnen een "V".
- De luidsprekers mogen niet zijwaarts in een wand worden geïnstalleerd. De kast dient zich boven of onder de voorkant van de luidspreker te bevinden.

**Figuur 6**

Wandluidsprekers richten voor gebruik als voorste luidsprekers bij een Home Cinema

**Plaatsing in plafonds**

Volg de onderstaande richtlijnen om de luidsprekers in het plafond aan te brengen. De richting van de kasten hangt af van de ruimte tussen de plafondbalken. De luidsprekerkasten moeten evenwijdig aan de plafondbalken lopen.

Voor optimaal stereogeluid bij plaatsing in een plafond:

- Plaats de luidsprekers op gelijke afstand ter weerszijden van het primaire luistergebied.

Voor optimaal Home Cinema-geluid bij plaatsing in een plafond:

- Plaats de linker- en rechterluidspreker op gelijke afstand links en rechts van het videoscherm.
- Plaats de middelste luidspreker boven het midden van het videoscherm.
- Plaats de surround-luidsprekers op gelijke afstanden tegenover de wand met het videoscherm.



**Voordat u gaten maakt**

Zorg dat u de overwegingen die worden beschreven in “Voorbereiding” beginnend op pagina 5 hebt gelezen en goed begrijpt zodat u met vertrouwen kunt werken.

**⚠ WAARSCHUWING:** Als u niet zeker bent of u deze procedure kunt voltooien, dient u contact op te nemen met een professionele installateur.

- ✓ Kleine markeringstekens richten uw aandacht op het gereedschap dat u nodig hebt voor de volgende stap.

**Tips** bieden ideeën om het werk gemakkelijker te maken en u te helpen om fouten te vermijden.

**Een geleidegat boren om de wandruimte te testen**

Voordat u een groot gat in de wandplaat maakt, dient u eerst de ruimte achter de wand of achter het plafond te peilen via een klein geleidegat. De tijd die u nu besteedt helpt u om voor een succesvolle installatie te zorgen.

**🎵 Opmerking:** Als u in een buitenwand werkt met isolatie, kan het moeilijk zijn om de ruimte erachter via een geleidegat te peilen. U kunt dan misschien beter deze stap overslaan en naar “De wand voorbereiden op het invoegen van de luidspreker” op pagina 13 gaan. Doe dit echter alleen als u zeker weet dat de isolatie plooibaar is en dat er niets achter de wand is dat de installatie kan belemmeren.

**⚠ WAARSCHUWING:** Boor of snij niet in wanden waarvan u vermoedt dat ze asbest bevatten. Zoek een andere locatie voor de luidsprekers.

**De sjabloon gebruiken**

- ✓ U hebt een **scherp potlood** nodig voor deze stap.

De sjabloon geeft aan waar u twee geleidegaten van 13 mm moet boren voordat u een opening maakt waar de volledige luidspreker in past. U kunt vervolgens testen of er achter het gat voldoende ruimte voor de luidspreker is en de installatie nergens door kan worden geblokkeerd.

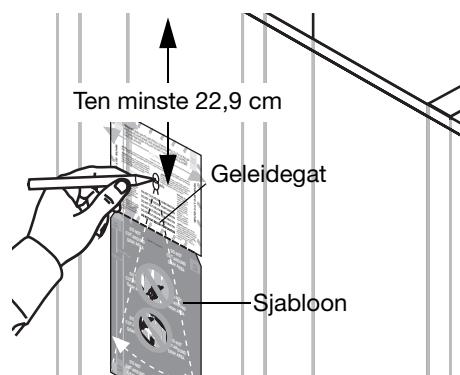
Let op de stippelijnen die onder een hoek vanaf het geleidegat naar de benedenhoeken van het gebied NIET SNIJDEN op de sjabloon lopen. Gebruik deze lijnen als richtlijn om te controleren of er onder het geleidegat voldoende ruimte vrij is om de luidsprekerkast in de lengte en breedte in te passen.

**De sjabloon plaatsen**

1. Selecteer een plek op de wand of het plafond waar u het midden van het luidsprekerrooster wilt plaatsen. Laat boven en onder het geleidegat voldoende ruimte vrij voor de luidsprekerkast. U hebt deze tweede optie wellicht nodig als u een hindernis in de ruimte onder het gat aantreft.
2. Centreer de cirkels voor de geleidegaten op de geselecteerde plek terwijl u de sjabloon tegen de wand drukt.
3. Gebruik een potlood om de binnenkant van de cirkels te traceren (Figuur 7).
4. Verwijder de sjabloon.

**Figuur 7**

Vorbereitung voor het boren van een geleidegat

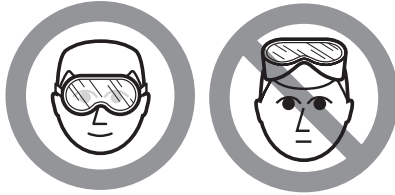


### Het geleidegat boren

- ✓ U hebt een houtboor en pneumatische drillboor nodig en een speciale slijptol voor deze stap.
- ⚠ **WAARSCHUWING:** Gebruik oogbescherming en volg alle voorzorgsmaatregelen wanneer u een boor of slijptol gebruikt (Figuur 8).

#### Figuur 8

Waarschuwing tegen boren zonder oogbescherming



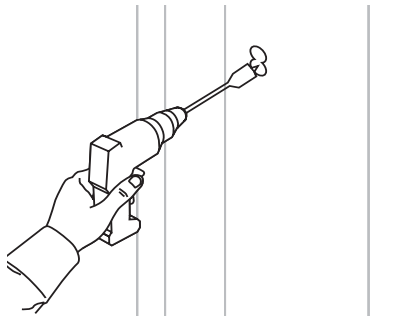
- ⚠ **WAARSCHUWING:** Zorg dat de gekozen plek veilig is om te snijden. Snij niet door oppervlakken waarachter gevaren verborgen kunnen zijn zoals elektrische bedrading, buizen of sanitair. Volg alle andere voorzorgsmaatregelen.

1. Plaats de punt van de drillboor middenin de bovenste cirkel die u hebt getekend.
2. Boor helemaal door de wandplaat heen om een gat te maken waar u achter kunt peilen.

- 🎵 **Opmerking:** Als er isolatie in de wand zit, is het moeilijk of zelfs onmogelijk om achter het geleidegat te peilen. Als u zeker weet dat de locatie die u hebt gekozen geen gevaren of hindernissen bevat, kunt u het gat voor de luidspreker meteen boren, ietwat van de plooibare isolatie verwijderen en van daaruit verdergaan. Zie "De wand voorbereiden op het invoegen van de luidspreker" op pagina 13.
3. Boor het tweede gat net onder het eerste (Figuur 9). Hierdoor wordt het gat lang genoeg om de ruimte voor de lengte van de luidsprekerkast te testen.

#### Figuur 9

Een houtboor met de drillboor gebruiken om het geleidegat te maken



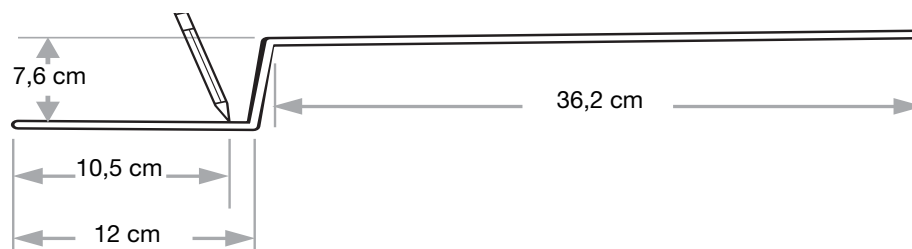
## De ruimte achter het gat testen

**Tip:** U hebt voor deze stap een **rolmaat** en een **stevige draad** (zoals een rechtgetrokken klerenhanger) van 55,9 cm nodig.

1. Buig de draad zoals getoond in Figuur 10.

**Figuur 10**

Een stevige draad met een lengte van 55,9 cm gebogen op twee plaatsen



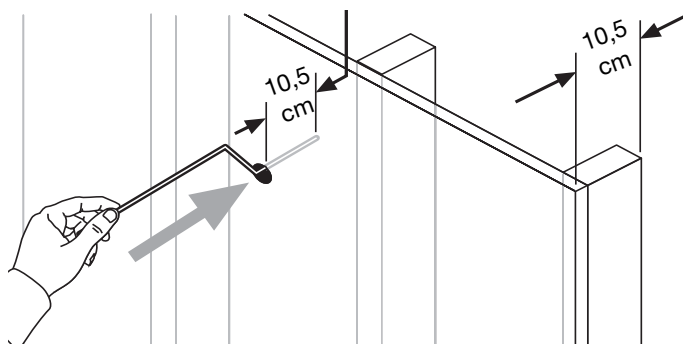
**Tip:** Voor meer nauwkeurigheid maakt u de eerste buiging iets te lang, meet u hem opnieuw en snijdt u de extra lengte aan dat uiteinde eraf.

**WAARSCHUWING:** Als er een mogelijkheid bestaat dat er zich elektrische draden in de ruimte achter de wandplaat bevinden, dient u de draad met isolatieband te omwikkelen om een elektrische schok te voorkomen.

2. Breng op 10,5 cm van het korte uiteinde een markering aan om de juiste diepte van voor naar achter voor het gat aan te geven.
3. Gebruik de gebogen draad om te testen of het gat diep genoeg is van voor naar achter: Steek het korte uiteinde van de draad in het gat en recht naar achteren (Figuur 11). Peil om te controleren of niets de diepte van 10 cm blokkeert. Dit geeft aan dat er achter de wandplaat voldoende ruimte vrij is om de luidspreker van voor naar achter aan te brengen.

**Figuur 11**

De ruimte op de diepte van de luidspreker controleren

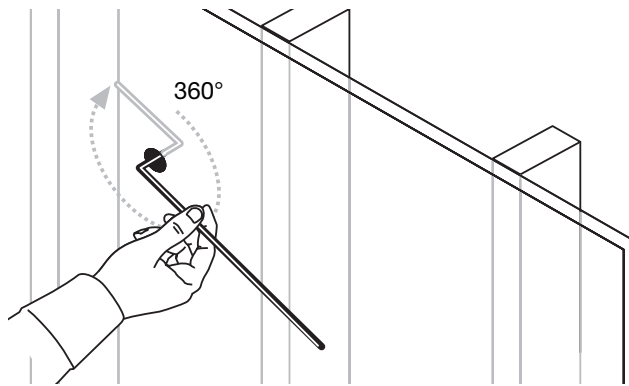


- Als de draad er probleemloos ingaat, gaat u hieronder door met stap 4.
  - Als u de draad niet tot de markering van 10,5 cm in het gat kunt steken dient u ergens anders een geleidegat te boren. Herhaal in dit geval stap 3.
4. Gebruik de draad opnieuw ditmaal om de breedte te testen van zijkant tot zijkant: Terwijl het korte uiteinde zich nog steeds in het gat bevindt, verandert u de stand van de draad (zoals getoond in Figuur 12 op pagina 12) en draait u hem 360° rond het gat. Dit geeft aan dat de wandruimte breed genoeg is aan beide kanten van het gat voor de breedte van de luidspreker.

## INSTALLATIESTAPPEN

**Figuur 12**

De ruimte op de breedte van de luidspreker controleren



- Als de draad zonder problemen rond de boog van 360 graden draait, gaat u door naar stap 5.
  - Als u de draad niet helemaal rond de eerste buiging kunt draaien, dient u ergens anders een nieuwe geleidegat te boren. Herhaal vervolgens stappen 3 en 4.
5. Gebruik de gebogen draad om te controleren de ruimte onder het gat lang genoeg is: Houd het korte uiteinde van de draad vast en steek het lange uiteinde in de wand of het plafond en recht omlaag vanuit het gat (Figuur 13a).

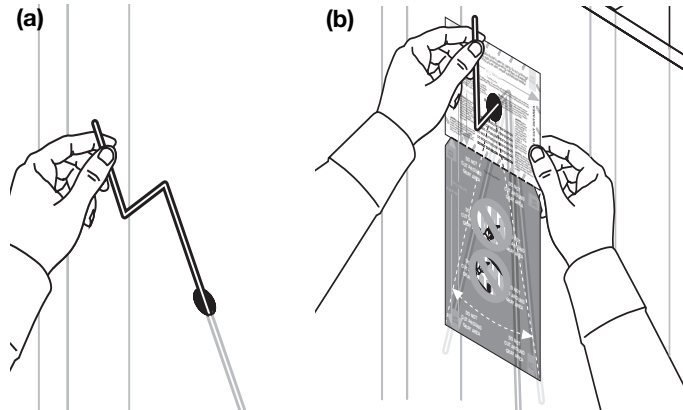
**Tip:** U kunt de sjabloon voor deze stap gebruiken zoals getoond in Figuur 13b.

- Met het lange uiteinde van de draad in het gat zwaait u naar beide kanten in een boog zoals getoond op de sjabloon. Dit geeft aan dat de wand of het plafond genoeg ruimte bevat en breed genoeg is bij het verste uiteinde.

**Tip:** Bij het testen op de lengte plaatst u de draad eerst dichtbij de wand of het plafond en vervolgens er verder vandaan (zoals in Figuur 13a, hierna).

**Figuur 13**

Het lange uiteinde van de draad in het gat steken (a) en heen en weer zwaaien om de lengte te controleren (b)



- Als de draad erin gaat en heen en weer zwaait tot het verste uiteinde zonder enige problemen, gaat u door naar de volgende grote stap: “De wand voorbereiden op het invoegen van de luidspreker” op pagina 13.
- Als u een hindernis onder het geleidegat aantreft en u in een binnenwand werkt, dient u de draad er opwaarts in te steken. Als er geen hindernissen boven het geleidegat zijn, kunt u de luidspreker ondersteboven monteren. Als u in een buitenwand werkt, raden we af de luidspreker ondersteboven te installeren. In dit geval dient u een nieuw geleidegat te boren als u een hindernis vindt. Herhaal vervolgens stappen 3, 4 en 5.

### De geleidegattest uitvoeren

Zodra u hebt bepaald dat een locatie geschikt is voor één luidspreker, dient u de wand of het plafond te testen voor de tweede luidspreker voordat u grotere gaten maakt. Zie "Een geleidegat boren om de wandruimte te testen" op pagina 9 en herhaal die stappen.

Als de locatie voor de eerste luidspreker goed is, maar niet voor de tweede, dient u mogelijk beide luidsprekers op een nieuwe locatie te installeren.

### Een geleidegat repareren

Vul het geleidegat met stopverf. Laat de stopverf drogen en voeg meer toe totdat het gat iets te vol is. Zodra het gebied helemaal droog is, schuurt u het zodat het gelijk met de wand is.

## De wand voorbereiden op het invoegen van de luidspreker

Wees voorzichtig bij de volgende stappen zodat u tevreden kunt zijn met het eindresultaat.

**⚠ WAARSCHUWING:** Dit is een goed tijdstip om te overwegen of u gerustgesteld aan deze taak kunt beginnen. Als u twijfels hebt over het snijden in een wand of het aanleggen van kabel achter de wand, is dit een goed tijdstip om te stoppen. U kunt een professionele installateur raadplegen, de taak beschrijven en een prijsopgave aanvragen voordat u de installateur inhuurt.

**⚠ WAARSCHUWING:** Als u denkt dat de isolatie in een wand asbest bevat, dient u niet in de wand te snijden. Zoek een andere locatie om de luidsprekers te installeren.

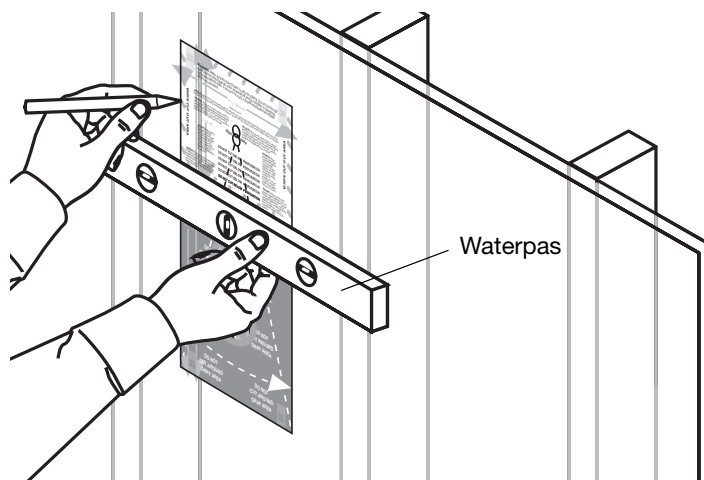
### De uit te snijden opening meten en markeren

✓ U hebt een waterpas, een scherp potlood en mogelijk plakband voor de sjabloon nodig om deze stap te voltooien.

1. Plaats de sjabloon zorgvuldig over het geleidegat waar u één luidspreker wilt installeren.
2. Zorg dat de sjabloon waterpas is (Figuur 14).

**Figuur 14**

Zorgen dat de sjabloon recht is



3. Bevestig de sjabloon met plakband of houd hem goed op zijn plaats terwijl u rond de zijkanten en de bovenste rand van het WITTE UITSNIJGEBIED traceert.

## INSTALLATIESTAPPEN

4. Maak een stippelijijn m.b.v. de gleufgaten langs de onderkant van het WITTE UITSNIJGEBIED voor de onderste rand van het gat.
5. Verwijder de sjabloon.

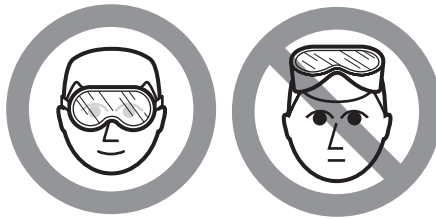
**Tip:** Gebruik plakband indien noodzakelijk om de sjabloon tijdelijk op zijn plaats te houden (zie "TAPE HERE" (tape hier) – op de sjabloon). Ga vervolgens met het potlood langs de hele rand van de sjabloon, m.u.v. de plaatsen waar plakband is.

### Het gat voor de luidspreker uitsnijden

- ✓ U hebt een kleine zaag of speciaal snijgereedschap nodig (bijv. een fretzaag of zaag voor gipsplaat) voor deze installatiestap.
- ▲ **WAARSCHUWING:** Gebruik oogbescherming (Figuur 15) en volg alle voorzorgsmaatregelen wanneer u de boor of het snijgereedschap gebruikt.

#### Figuur 15

Waarschuwing tegen boren zonder oogbescherming



1. Het is het beste om gaten *binnen* elke hoek van de door u getekende rechthoekige omtrek te boren voordat u met snijden begint. Steek het blad in het geleidegat en snij schuin naar beneden totdat u bij een potloodlijn komt.

**Tip:** Hoewel het belangrijk is voorzichtig te snijden, hebt u enige speling omdat het luidsprekerframe 0,6 cm groter is dan de aangebrachte luidspreker. Kleine onnauwkeurigheden worden door het frame verborgen.

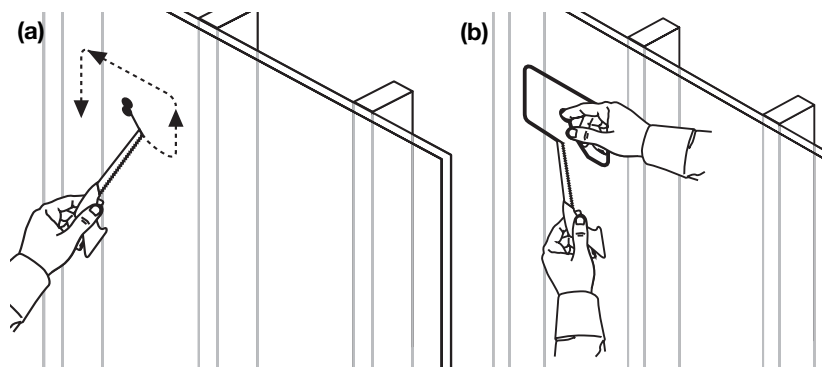
2. Snij rond drie of vier kanten van de omtrek die u hebt getekend, *niet* helemaal rondom de omtrek (Figuur 16a).

▲ **WAARSCHUWING:** Houd uw vingers uit de buurt van het snijblad.

3. Haak uw vinger in de geleideopening om te voorkomen dat de wandplaat achter de wand valt. Snij vervolgens het laatste gedeelte af (Figuur 16b).
4. Gebruik uw vinger om het stuk wandplaat dat u net hebt uitgesneden eruit te trekken.

#### Figuur 16

Langs de omtrek snijden (a) en uw vinger gebruiken om het uitgesneden deel vast te houden (b)



**Als u isolatie achter de muur aantreft**

Het is goed mogelijk dat u isolatie in een buitenwand aantreft en soms zelfs in een binnenwand. Als de aangetroffen isolatie plooibaar is, kunt u boven en onder de opening een gedeelte ervan wegsnijden om ruimte voor te luidspreker vrij te maken. Bepaalde soorten isolatie zijn moeilijk of mogelijk gevaarlijk om te hanteren.

**⚠ WAARSCHUWING:** Houd rekening met verborgen spijkers wanneer u in de wand reikt om de isolatie te verwijderen.

**⚠ WAARSCHUWING:** Draag handschoenen en bescherming voor uw mond, neus en ogen voordat u isolatie met vezelglas aanraakt.

**Luidsprekerframes heroriënteren of wijzigen****Het rechthoekige framelogo heroriënteren**

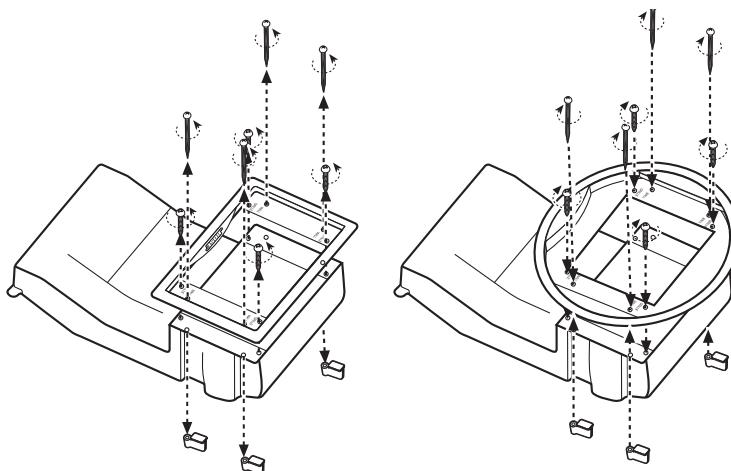
Als u een luidspreker met rechthoekig frame ondersteboven moet installeren wegens ruimtegebrek onder het gat, dient u de richting van het logo te veranderen voordat u de luidspreker in het gat steekt.

Verwijder hiervoor het frame van de luidspreker, draai de luidspreker 180° en breng het frame opnieuw aan. Er zijn vier frameschroeven (gelabeld met GRILLE) om het frame op zijn plaats te houden (zie Figuur 17 hierna en Figuur 23 op pagina 18). Verwar deze niet met de klemschroeven die gelabeld zijn met WALL.

Plaats de luidspreker niet in de wand zonder dat het frame bevestigd is. Het frame voorkomt dat de luidspreker in de muur valt.

**Figuur 17**

Het rechthoekige frame vervangen door het ronde frame

**Ronde luidsprekerframes installeren**

Als u ronde luidsprekerframes wilt gebruiken, dient u ze nu te installeren door de vier schroeven te verwijderen waarmee elk rechthoekig frame is bevestigd, en de schroeven te gebruiken om de ronde frames vast te zetten (Figuur 17). Het logo bevindt zich op het ronde luidsprekerrooster, dat later wordt aangebracht.

**De luidspreker invoegen en bedraden**

✓ U hebt **een kruiskopschroevendraaier en mogelijk plakband nodig** om deze stap te voltooien.

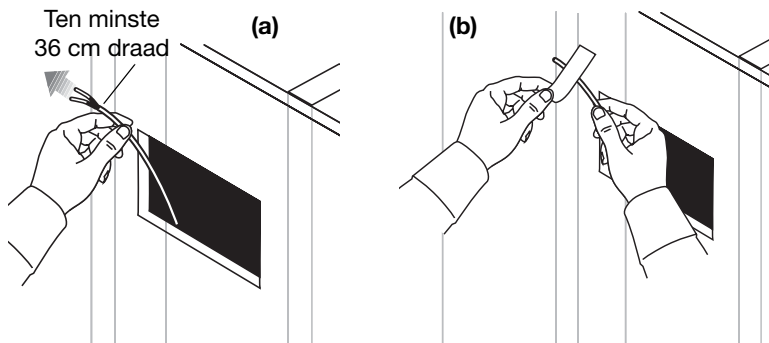
Als uw wand niet vooraf bedraad is, dient u “Wat te doen als de ruimte niet vooraf bedraad is” op pagina 24 te raadplegen. Als de draad zich binnen het bereik van het gat bevindt dat u hebt gesneden, dient u de onderstaande procedure te volgen:

1. Zoek en trek 36 cm of meer van de vooraf bedrade luidsprekerkabel uit het net gesneden luidspreker gat (Figuur 18 op pagina 16).

## INSTALLATIESTAPPEN

**Figuur 18**

De draad omhoog en naar buiten naar links trekken (a) en met tape vastzetten (b).



2. Bevestig het losse uiteinde van de draad tijdelijk linksboven het gat (Figuur 18b). Op deze manier zit de kabel niet in de weg totdat u de luidspreker gedeeltelijk in de wand hebt geplaatst en klaar bent om de aansluitingen te maken.

**De luidspreker in de opening steken**

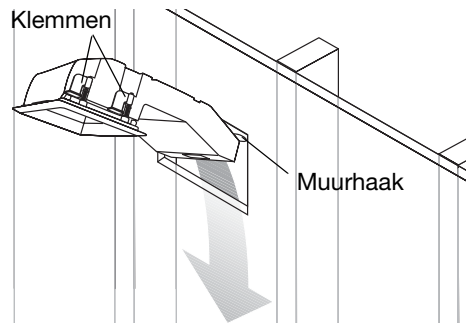
Voordat u de onderstaande stappen volgt, dient u te zorgen dat geen van de klemmen (twee aan elke kant) van achter het frame van de luidspreker uitsteken. Als dit wel het geval is, dient u ze achter het frame te drukken zodat de luidspreker in het gat past.

**Tip:** Als u de schroefklemmen aan de linkerbovenkant van de luidsprekers losdraait voordat u de luidspreker in het gat steekt, kan dit u moeite besparen bij het maken van de aansluitingen.

1. Gebruik beide handen om de luidspreker te ondersteunen en houd deze een beetje schuin, zodat hij diagonaal op het gat staat. Hierdoor ontstaat speelruimte voor de muurhaken.
2. Steek de onderkant van de kast door het gat en gedeeltelijk omlaag of omhoog, afhankelijk van de speling die u hebt (Figuur 19).

**Figuur 19**

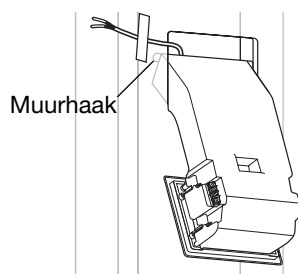
De luidspreker met een rechthoekig of rond rooster gedeeltelijk inbrengen



3. Laat de luidspreker in deze gedeeltelijk ingebrachte stand en laat hem op de muurhaken rusten zodat hij er niet uitvalt (Figuur 20). Op deze manier hebt u gemakkelijk toegang tot de aansluitingsklemmen links boven op de luidspreker.

**Figuur 20**

Luidspreker op zijn plaats gehouden door muurhaken





## De luidsprekeraansluitingen maken

- ✓ U hebt een kruiskopschroevendraaier nodig voor deze stap.

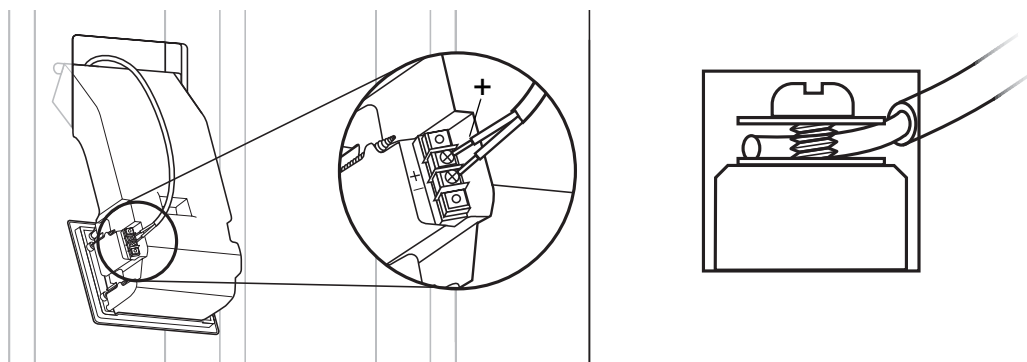
**Tip:** Zorg dat u de juiste polariteit behoudt (+ op + en – op –) bij deze aansluitingen. Als u hier een fout maakt, heeft dit een nadelige invloed op de prestatie van de luidspreker. Zorg dat u elke schroef goed aandraait, maar niet zo vast dat dit ongewenste compressie van de kabel veroorzaakt.

1. Als u dit nog niet eerder hebt gedaan, dient u nu de schroeven op beide klemmen los te draaien.
2. Steek het uiteinde van de gemarkeerde draad (+) in het positieve (+) contact en draai de schroef aan (Figuur 21).
3. Steek het uiteinde van de gladde draad (–) in het negatieve (–) contact. Draai de schroef aan.

**⚠ WAARSCHUWING:** Zorg dat blootgestelde draden niet met elkaar in contact komen, aangezien dit uw onderdelen zou kunnen beschadigen. Knip extra draad af en steek de draad opnieuw in het contact indien noodzakelijk.

**Figuur 21**

Draden bevestigen in de contacten



## Test de luidspreker nu

Dit is een goed tijdstip om de luidspreker te testen om er zeker van te zijn dat deze juist functioneert voordat u hem in de wand bevestigt en terwijl de aansluitingen nog binnen bereik zijn.

U kunt er ook voor kiezen om de tweede luidspreker nu te installeren, voordat u beide test. Zodra de tweede luidspreker is aangesloten, kunt u beide luidsprekers testen en controleren of ze allebei goed functioneren voordat u doorgaat met de installatiestappen voor elke luidspreker.

**⚠ WAARSCHUWING:** Als u de eerste luidspreker test voordat de andere is aangesloten, zorg dan dat de draad naar de eerste luidspreker de enige draad is die is aangesloten op de receiver/versterker. Dit voorkomt dat niet-bevestigde luidsprekerdraden contact met elkaar maken, hetgeen de ontvanger/versterker kan beschadigen.

### Ga als volgt te werk om de luidspreker te testen:

1. Zet de receiver/versterker aan en speel muziek af waar u vertrouwd mee bent.
2. Luister naar de helderheid en nauwkeurigheid van de prestatie van één luidspreker.
  - Als u een probleem hoort, raadpleegt u “Problemen oplossen” op pagina 27.
  - Als de prestatie goed is, test u de andere luidspreker of gaat u door met de installatiestappen voor deze luidspreker.

## De luidspreker helemaal in het gat plaatsen

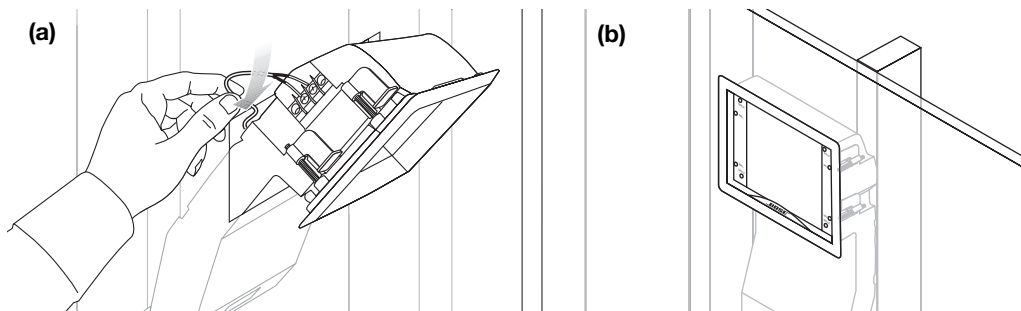
1. Zodra de aansluitingen voltooid zijn, drukt u extra draad in het gat achter de luidspreker (Figuur 22 op pagina 18).

## INSTALLATIESTAPPEN

- Zorg dat het frame van de luidspreker stevig op de voorkant is geschroefd. Het frame voorkomt dat de luidspreker helemaal in het gat glijdt. Zie Figuur 17 op pagina 15 als u het frame om dient te draaien om het logo van Bose juist op de voorkant van de luidspreker weer te geven.
- Druk de luidspreker in het gat totdat de voorkant recht is en op één lijn staat met de wand (Figuur 22b).

**Figuur 22**

Extra draad achter de luidspreker drukken (a) en De luidspreker helemaal in het gat plaatsen (b)

**De luidspreker aan de wand bevestigen**

**⚠ WAARSCHUWING:** Als u een elektrische schroevendraaier gebruikt om schroeven aan te draaien, dient u de laagste instelling te kiezen (niet meer dan 0,2-0,5 Nm draaimoment). Als de schroef niet juist past, dient u de schroef te installeren op de volgende iets hogere instelling of met de hand.

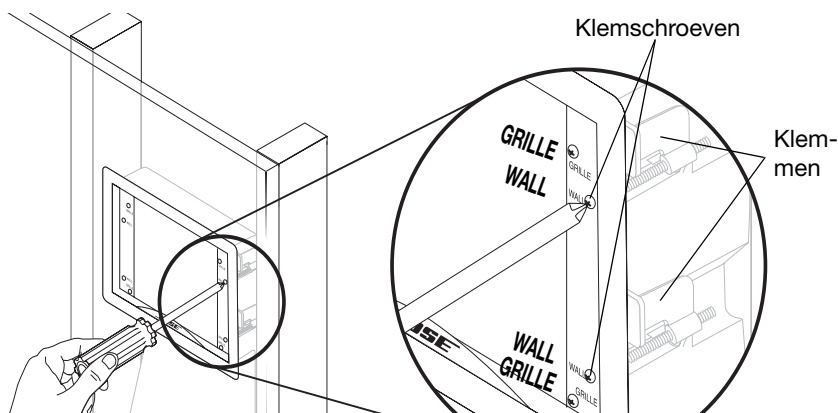
Als de luidspreker zich binnen het gat bevindt met de voorkant recht en vlak tegen de wand, kunt u de klemmschroeven met het label WALL aandraaien langs de zijkanten van het frame. De klemmen oefenen druk uit van binnenuit om de luidspreker stevig tegen de wand te houden. Verwar deze klemmen niet met de klemmen die zijn gelabeld met GRILLE en waarmee het frame is bevestigd.

**⚠ WAARSCHUWING:** Hoewel de klemmen stevig moeten worden aangedraaid, dient u ze niet te stevig aan te draaien. Door te veel compressie kan de wandplaat afbrokkelen. Dit veroorzaakt een ongelijke oppervlakondersteuning en kan leiden tot ruimtes tussen de voorkant van de luidspreker en de wand.

- Draai de vier klemmschroeven enigszins aan (Figuur 23) totdat elke schroef begint te pakken. Dit wordt veroorzaakt doordat de klemmen naar buiten zwaaien en tegen de achterkant van de wandplaat drukken.
- Grijp het frame van de luidspreker met uw vingers en beweeg het voorzichtig heen en weer totdat deze zich in de juiste stand bevindt. Controleer of de voorkant zich op de juiste plaats bevindt voordat u de schroeven verder aandraait en stel de luidspreker bij als deze niet recht is.

**Figuur 23**

De klemmschroeven aandraaien



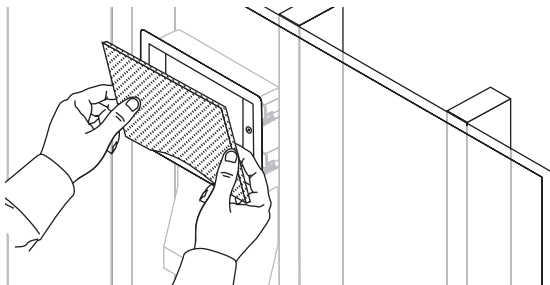
- Als de luidspreker recht is, draait u elke schroef aan.

### Rechthoekige roosterframes bevestigen

1. Zorg dat de gebogen rand van het rooster op één lijn staat met de boog boven het logo van Bose® en druk die rand eerst in het luidsprekerframe (Figuur 24).
2. Druk de bovenkant van het rooster goed op zijn plaats totdat u weerstand voelt. Als het rooster gelijk met het frame op de luidspreker staat, bevindt het zich in de juiste positie.

**Figuur 24**

Het rooster op zijn plaats drukken



### Als de luidspreker scheef staat

Als u verder van de wand vandaan staat, ziet u mogelijk dat de luidspreker niet recht staat. Als dit het geval is, kunt u de luidspreker enigszins bijstellen:

1. Verwijder het rooster door een gereedschap met een dun blad tussen het luidsprekerframe en het rooster te plaatsen en het rooster er voorzichtig af te wrikken.
2. Draai de vier klemmschroeven met het label WALL enigszins los.
3. Druk op de zijkanten van het luidsprekerframe om het omhoog of omlaag te schuiven totdat het in de juiste stand staat.
4. Ga iets achteruit staan om te kijken of de luidspreker nu recht staat. Herhaal stap 3 als dit niet het geval is.
5. Draai alle vier klemmschroeven aan.
6. Bevestig het rooster weer op de voorkant van de luidspreker.

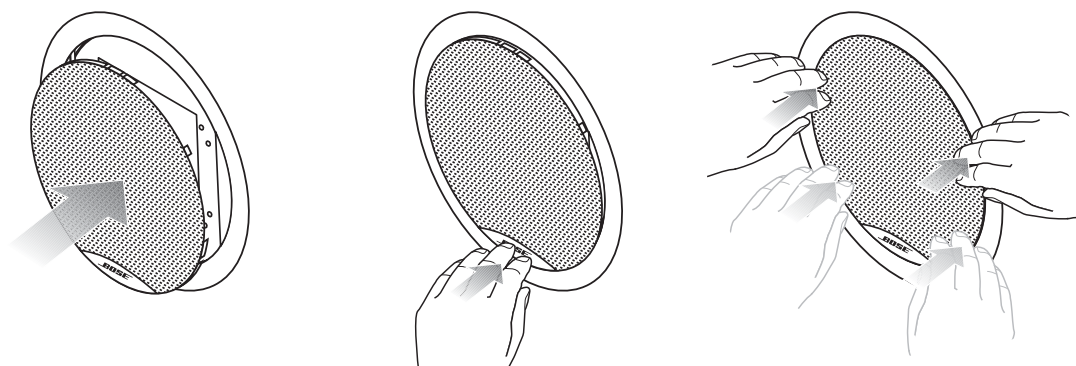
### Ronde roosters bevestigen

1. Zet het Bose-logo op de juiste plaats.
2. Haak het Bose-logo eerst in het luidsprekerframe. Zie Figuur 25.
3. Werk omhoog naar de bovenkant van het roosterframe. Gebruik uw beide handen om de roosterlipjes in het frame te haken. Denk eraan dat u de roosterlipjes niet permanent buigt.

🎵 **Opmerking:** Wanneer u het rooster in het frame hebt geplaatst, kunt u het logo niet meer verplaatsten. Breng het rooster op de juiste plaats aan voordat u het rooster volledig in het frame drukt.

**Figuur 25**

Ronde roosters bevestigen



## AANVULLENDE INFORMATIE

### De luidsprekers verven

Het rooster en frame van uw Virtually Invisible® 191 luidsprekers kunnen worden geverfd voor of nadat de luidspreker wordt geïnstalleerd. Dit is echter optioneel en Bose is niet verantwoordelijk voor de kwaliteit van de hechting of afwerking van niet in de fabriek aangebrachte verfsoorten.

Er zijn verschillende manieren om het rooster en het frame te verven. Zorg dat u verf gebruikt die geschikt is voor de techniek die u kiest.

**WAARSCHUWING:** *Volg alle aanbevolen veiligheidsprocedures voor de desbetreffende chemicaliën. Dit omvat het juiste gebruik van oogbescherming, ventilatiesystemen, ademhalingsapparaten of filtermaskers en brandblusapparatuur als er brandbare oplosmiddelen worden gebruikt.*

#### Het rooster verven

Het is belangrijk dat de verf de perforaties in het rooster niet verstopten, aangezien dit de prestatie nadelig kan beïnvloeden. U kunt een droge kwasttechniek gebruiken of het rooster met verf spuiten. Gebruik echter geen verroller:

- Verwijder het rooster van de luidspreker als deze geïnstalleerd is.
- Maak het rooster schoon om mogelijke vervuilende stoffen te verwijderen voordat u begint te verven. Zelfs vingerafdrukken kunnen een gelijkmatige spreiding verhinderen.
- Zorg dat de verf gelijkmatig is verdeeld en het rooster helemaal bedekt. Als dit niet het geval is dient u de binnenkant van het rooster te verven om het probleem op te lossen.
- Zodra het droog is, beschermt u het geverfde rooster met een schone doek of keukenpapier terwijl u het weer op de luidspreker bevestigt.

#### De droge kwasttechniek gebruiken

Onverdunde latexverf is geschikt voor deze methode. Zorg dat u genoeg papier hebt om uw werkgebied te bedekken en houd er rekening mee dat de borstel herhaaldelijk gedroogd moet worden.

1. Doop het uiteinde van een schone, droge kwast in de verf.
2. Strijk over het papier om de hoeveelheid verf op de kwast te reduceren. Als u individuele borstelhaarmerkingen kunt zien, is de borstel klaar voor gebruik op het rooster.
3. Strijk de kwast lichtjes in horizontale richting heen en weer over de voorkant van het rooster, totdat u meer verf nodig hebt.

**Tip:** *Als de verf de roosterperforaties verstopt, dient u de kwast schuin te houden om de verstopping ongedaan te maken of zachtjes op de verstopping te blazen.*

4. Herhaal de bovenstaande stappen totdat de buitenkant van het rooster helemaal bedekt is.
5. Draai het rooster 180 graden en verf het hele oppervlak opnieuw door heen en weer te strijken.

#### De spuittechniek gebruiken

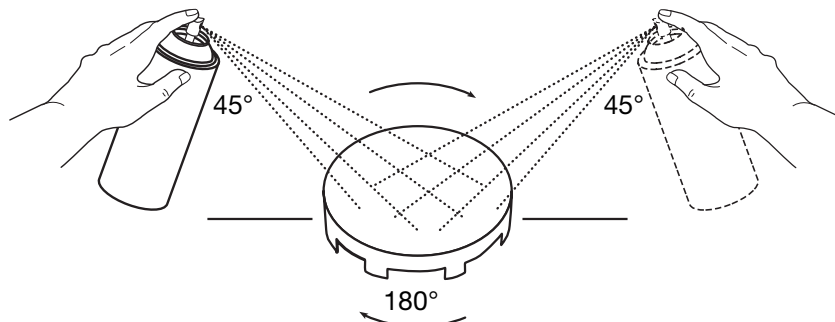
Latexverf of lakverf op oliebasis moet verdund worden voor gebruik met een verfspuit ingesteld op 2,1 bar en voor toepassing in een waaierpatroon van 7,6-12,7 cm. De formule voor het verdunnen hangt af van het soort verf dat u gebruikt.

- Verdun vinyl acryllatexverf als volgt:  
Drie delen water aan 6 delen verf toevoegen en goed mengen. 1 deel gedenatureerde ethylalcohol toevoegen (dit breekt de verfdeeltjes af zodat ze het rooster niet verstopten) en opnieuw mengen.
- Voor gebruik met lakverf of autoverf:  
Dit type verf dient door een vakman met de juiste apparatuur en techniek te worden aangebracht. Deze verf moet bovendien met een oplosmiddel worden verdund.
- Lak of emailverf in sproeivorm zit in een spuitbus en hoeft niet te worden verdund.

1. Om te voorkomen dat er vuil of gedroogde deeltjes in de roosterperforaties teruggeblazen worden, dient u het rooster op te hangen of op een draadscherm te plaatsen.
2. Breng de verf op het rooster aan in een hoek van 45 graden. Draai het rooster vervolgens 180 graden en spuit het opnieuw in een hoek van 45 graden.

### **Figuur 26**

In een hoek plaatsen en omdraaien om de verf tweemaal aan te brengen



**Tip:** Als u de perforatie doorboort met een scherp instrument om een verstopping te verwijderen, kan dit het uiterlijk van het rooster beschadigen. Dit wordt niet aanbevolen. Als de roosterperforaties verstopt raken door de verf, dient u voorzichtig op dat gebied te blazen om de verstopping ongedaan te maken. Als dit niet werkt, dient u het rooster onmiddellijk met het juiste oplosmiddel te wassen. Zorg dat het rooster volledig droog is voordat u het opnieuw verft.

De verf kan in een paar minuten drogen. Als er echter alcohol is toegevoegd, kan het enkele dagen duren voordat de verf volledig is uitgehard.

### **Het frame verven**

Bescherm de luidsprekerkegels voordat u begint door de verfafscherming die in de doos werd geleverd erin te steken. U kunt vervolgens dezelfde conventionele spuit- of rollerapparatuur gebruiken die gebruikt werd om de wand of het plafond te schilderen.

U kunt latex- of olie verf gebruiken die aan het frame van de luidspreker hechten. Beide krassen echter gemakkelijk als ze onzorgvuldig worden behandeld.

Wees voorzichtig dat de verf geen plas vormt of uitloopt. U kunt een kwast gebruiken om de verf te verspreiden indien noodzakelijk.

## **Hulp voor een beginnende installateur**

In dit gedeelte vindt u hulp om de luidsprekers zelf te installeren.

### **Optionele items die kunnen helpen:**

- Kleding die voor het werk geschikt is
- Handschoenen en mand-, neus- en oogbescherming
- Een doek of ander materiaal om het gebied tegen puin te beschermen
- Een draadtrekker om luidsprekerkabel achter wandplaat aan te leggen
- Een stevig kruk of ladder om de luidsprekers boven uw hoofd te installeren

### **Accessoires die kunnen helpen**

*Bij installatie in een verlaagd plafond* (waarbij de tegels zijn geïnstalleerd onder de plafondbalken) biedt Bose een optionele kit voor verlaagde plafonds voor twee luidsprekers. Dit beschermt de plafondtegels tegen het dragen van het gewicht van de luidsprekers. Instructies zijn bij de kit ingesloten.

*Voor installatie in een nieuwe constructie* biedt Bose een pre-installatiekit voor twee luidsprekers. Het is bestemd voor gebruik nadat de balken gebouwd zijn en voordat de wandplaat wordt toegevoegd om een plaats te reserveren voor de luidspreker en aan te geven waar het gat in de wandplaat moet worden gemaakt. Het beschermt de wandplaat tevens door extra ondersteuning te bieden voor de klemmen die de luidspreker aan de wand bevestigen. Instructies zijn bij de kit ingesloten.

Voor meer informatie of om accessoires te bestellen, dient u contact op te nemen met uw Bose-dealer. U kunt ook rechtstreeks contact met Bose opnemen m.b.v. de adresinformatie die bij de doos is ingesloten.

### **Luidsprekerkabel gebruiken**


Voordat u kabel snijdt, dient u te schatten hoeveel kabel u nodig hebt voor elke luidspreker. Meet hiervoor de afstand van de receiver/versterker tot de plaats waar elke luidspreker wordt geïnstalleerd om dit te doen. Houd er rekening mee als de kabel rond hoeken of door wanden aangelegd dient te worden en laat minstens 36 cm kabel over om uit de wand te trekken om de aansluitingen gemakkelijk te maken. Voorzie extra lengte als u plafondluidsprekers installeert. U kunt de aansluitingen dan staand op de grond aanbrengen.

#### **Draadaanbevelingen.**

<i>Dikte</i>	<i>Maximumlengte</i>
18 AWG (0,82 mm <sup>2</sup> )	6 m
16 AWG (1.3 mm <sup>2</sup> )	9 m
14 AWG (2,1 mm <sup>2</sup> )	15 m

### **De luidsprekerkabel voorbereiden**

Luidsprekerkabel bestaat uit twee geïsoleerde draden. De isolatie rond de ene draad is gemarkeerd (met een streep, kraag of ribbel) om hem als positief te identificeren. De andere draad is negatief.

 **Opmerking:** *Het is soms moeilijk om onderscheid te maken tussen draadmarkeringen. Controleer beide draden daarom zorgvuldig.*

1. Verwijder bij beide draden ca. 13 mm isolatie aan de uiteinden. U hebt **een kniptang en draadstripper nodig** voor deze taak.
2. De blanke stukjes moeten goed worden getwist; een zijwaarts uitstekend draadje kan kortsluiting veroorzaken.

Sluit alle kabels op de juiste klemmen aan (positief op positief (+) en negatief op negatief (-)).

### **Voordat de wandplaat wordt gemonteerd**

Er zijn enkele standaard richtlijnen voor het werken in een niet-afgewerkte constructie.

- Begin dit werk nadat de balken en plafondbalken en de elektrische bedrading zijn voltooid.
- Gebruik een touw over de voorkant van de balken of de onderkant van de plafondbalken en ga terug terwijl u boort, zodat u het laatste gat nog binnen uw gezichtsveld kunt boren.

- Leg nooit luidsprekerkabel en elektrische draden door hetzelfde gat of in dezelfde kabeldoos aan.
- Als een kort gedeelte van de kabel parallel op dichtgelegen elektrische kabel moet lopen, dient u dit tot een absoluut minimum te beperken om storing zoveel mogelijk te beperken.
- Gebruik metalen pijpen of afgeschermd luidsprekerkabel als de kabel 3 m of meer naast een elektrische kabel moet lopen.
- Gebruik kabelklemmen of grote draadkrammen om de kabel aan een plafondbalk of balk te bevestigen op plaatsen waar de kabel meer dan 1,4 m van een gat loopt.
- Gebruik schutlatten, doorvoerleidingen of pijpen om te voorkomen dat er op de kabel wordt getrapt of om te voorkomen dat deze wordt samengedrukt op een zolder of in een kruipruimte.

### **Installatie in een ruimte die vooraf bedraad is**

Een installatie is het gemakkelijkst als de ruimte van tevoren is bedraad tijdens de constructie. In dat geval zal de aannemer de luidsprekerkabel binnen gemakkelijk bereik van de bestemde luidsprekerplaatsen hebben achtergelaten. In een ideale situatie kunt u nadat u het luidsprekergat hebt gesneden eenvoudigweg in het gat reiken om de kabel die de aannemer heeft geïnstalleerd te vinden.

Als u niet zeker weet of uw ruimte vooraf bedraad is of niet weet waar de kabels zich bevinden, dient u de tekeningen van de architect voor uw ruimte te controleren of de aannemer te bellen.

**⚠ WAARSCHUWING:** Het is belangrijk om te weten waar de bedrading zich bevindt om te voorkomen dat u deze beschadigt als u in de wand boort of snijdt.

### **Als de wanden al zijn afgewerkt**

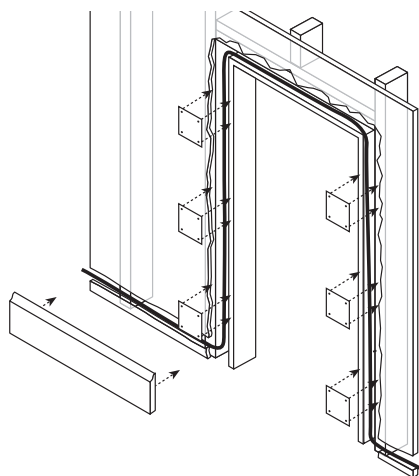
Hier zijn enkele suggesties om de taak makkelijker te maken

*Kijk of er manieren zijn om kabels buiten de wanden te verbergen (zie Figuur 27):*

- Langs of achter plinten
- Onder tapijten (met speciale platte luidsprekerkabel voor installatie onder een tapijt)
- Onder deurposten.

**Figuur 27**

*Kabel achter plinten en onder een deurpost aanleggen*



### **Wat te doen als de ruimte niet vooraf bedraad is**

In dit geval dient u luidsprekerkabel vanaf de receiver of versterker aan te leggen door de wand naar het gebied dat u gekozen hebt om de luidsprekers te installeren. U dient een kabeldoos met open achterkant in de wand te monteren in de buurt van de receiver of versterker (Figuur 28).

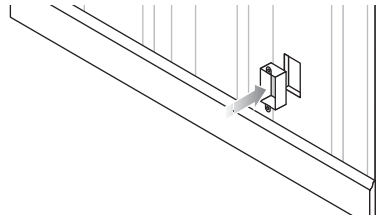
U dient tevens veilige en praktische normen in acht te nemen:

**WAARSCHUWING:** Zorg dat de gekozen plek veilig is om te boren. Boor niet door oppervlakken waarachter gevaren verborgen kunnen zijn zoals elektrische bedrading, buizen of sanitair. Volg alle andere voorzorgsmaatregelen.

**WAARSCHUWING:** Raadpleeg plaatselijke bouwverordeningen zodat u op de hoogte bent van de vereisten in uw gebied.

#### **Figuur 28**

Een kabeldoos met open achterkant zodat kabel door de wand komt in de buurt van de receiver of versterker



- Gebruik een drillboor die groot genoeg is voor de kabel die u door de gaten wilt trekken.
- Gebruik indien mogelijk een spiraalboor om het boren van meerdere gaten minder vermoeiend te maken.
- Boor niet door een dragende balk. Neem contact op met de aannemer als dit een probleem is.
- Houd de kabel 1 tot 1,3 m van elektrische draden vandaan, aangezien dit een zoem- of bromgeluid in de luidsprekers kan veroorzaken. Zie Figuur 29 op pagina 25.
- Boor gaten midden in elke balk of plafondbalk om spijkers te vermijden.
- Gebruik een afdichtplaat om de kabel te beschermen als uw enige optie is om in een balk of plafondbalk te snijden.
- Gaten precies op één lijn zetten zodat het gemakkelijker is om de kabel erdoor te trekken
- Trek aan de kabel zodat deze niet doorhangt. Trek de kabel echter niet zo hard aan dat er spanning ontstaat.

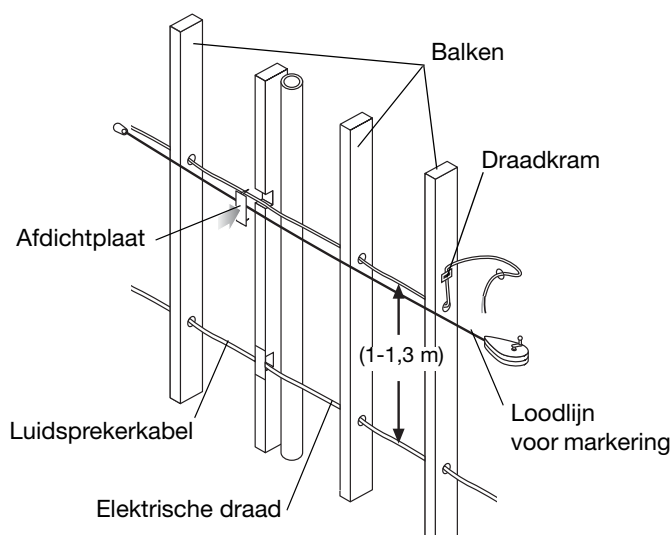
Zoek het gemakkelijkste pad voor kabel dat achter de wandplaat aangelegd moet worden:

- Kies binnenwanden waarbij minder kans bestaat dat er zich isolatie achter de wandplaat bevindt.
- Gebruik een zolder of kelder indien mogelijk zodat u gemakkelijk toegang hebt en kunt zien waar de afvoerbuizen, elektrische draden en andere hindernissen zich bevinden.
- Bij een plaatfundering kunt u overwegen om plenumdraad via verwarmings- of airconditioningopeningen aan te brengen.



**Figuur 29**

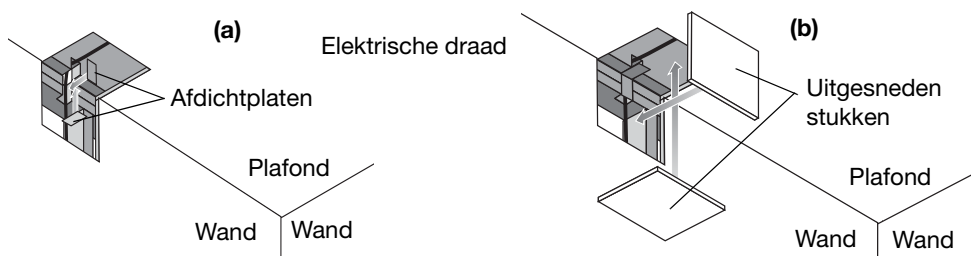
Technieken die gebruikt dienen te worden bij het aanleggen van luidsprekerkabels door balken of plafondbalken



Als u een kabel rond een hoek moet voeren, moet u een rechthoekig stuk wandplaat uitsnijden ter weerszijden van de plafondbalk die zich bij de hoek bevindt. Gebruik een rechthoekige uitsnijding als bedekking voor de wand die u afmaakt. Als u door de uitsnijding reikt kunt u de plafondbalk insnijden om ruimte te maken voor de kabel en afdichtplaten gebruiken om de kabel in elke inkeping te bedekken (Figuur 30).

**Figuur 30**

Een kabel rond een hoek voeren met afdichtplaten ter bescherming (a) en uitgesneden stukken om de wand weer dicht te maken

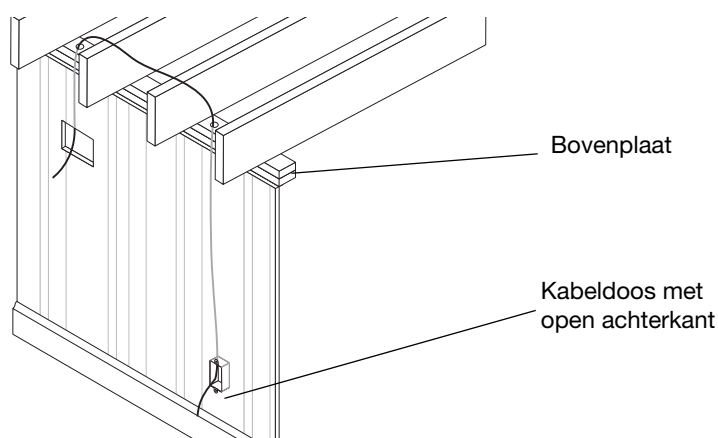


Om de wand weer op te dicht te maken, dient u de uitgesneden stukken weer op hun plaats te zetten en voegstrip en afdichtmiddel voor verbindingen te gebruiken om ze op hun plaats te houden. Zodra ze droog zijn, schuurt u het gebied af en verft u het zodat het overeenkomt met de aangrenzende oppervlakken.

Het komt vaak voor dat kabel vanuit een luidsprekerlocatie wordt aangelegd in een wand of plafond naar de zolder en door de houten bovenplaat die horizontaal over de bovenkant van de verticale balken loopt. U kunt de kabel vervolgens op de plek boven de kabeldoos aanleggen in de buurt van de receiver of versterker. Boor door de bovenplaat op dat punt en leid de kabel door het gat en omlaag in de wand (Figuur 31).

**Figuur 31**

Kabel door de zolder aanleggen



### **Installeren in een buitenwand**

Als u ervoor gekozen hebt deze luidsprekers in een buitenwand te installeren (aangrenzend aan de buitenkant van uw huis) kunt u isolatie aantreffen achter de wandplaat. Dit kan de installatie moeilijker maken, aangezien u de plooibare isolatie moet afknippen en uit de weg moet drukken. U dient oogbescherming en handschoenen te dragen als u met isolatie die vezelglas bevat werkt.

 **WAARSCHUWING:** Als u denkt dat de isolatie achter de wand asbest bevat, dient u niet in de wand te snijden. Zoek een andere locatie voor de luidsprekers.

Isolatie verhindert tevens uw gebruik van een geleidegat om de omvang van de ruimte achter de wandplaat te testen. Een dergelijke test wordt aanbevolen om te zorgen dat de ruimte groot genoeg is om een gat voor de luidspreker uit te snijden.

### **Wees voorzichtig bij het snijden door pleisterwerk**

Bij wandconstructies van pleisterwerk dient u extra voorzichtig te zijn om te voorkomen dat het pleisterwerk barst:

- Nadat u een omtrek hebt getekend van het gat dat gesneden dient te worden, brengt u tape rond de omtrek aan en gebruikt u een scherp blad om ondiepe sneden te maken op de plaats waar het gat zal zijn.
- Bik vervolgens het pleisterwerk uitsluitend binnen de omtrek af totdat u het latwerk eronder blootlegt.

Snij vervolgens heel voorzichtig door het latwerk. Als u een elektrische decoupeerzaag gebruikt kunt u dit snel doen maar het is wel riskant. Wij bevelen u aan een handzaag te gebruiken en voorzichtig te werk te gaan om het omringende pleisterwerk niet te beschadigen.

### **Speciale overwegingen in regio's met een koud klimaat**

Bij installatie in buitenwanden in regio's waar de buitentemperaturen dagenlang onder het vriespunt kunnen vallen, kan het gebruik van een luchtbevochtiger ertoe leiden dat er zich condensatie ophoopt binnenin de luidsprekers. Dit is nog problematischer als de luidsprekers ondersteboven zijn geïnstalleerd.

Als u de luidsprekers in een buitenwand moet installeren, dient u als volgt te werk te gaan:

- Installeer de luidsprekers niet ondersteboven.
- Laat wat isolatie tussen de luidsprekers en de buitenwand.
- Zet de luchtbevochtiger niet te hoog, vooral wanneer de buitentemperaturen onder het vriespunt zijn.

## Problemen oplossen

Geen enkele luidspreker werkt	<ul style="list-style-type: none"> <li>Controleer de instellingen van de receiver/versterker. Lees de instructies inzake instellingen van de meegeleverde handleiding.</li> <li>Als uw Virtually Invisible® 191-luidsprekers op uw receiver/versterker zijn aangesloten als een tweede stel luidsprekers, controleer dan of de aansluitingen op de “B”-aansluitpunten zijn gemaakt en dat de “B”-luidsprekers geselecteerd zijn om af te spelen.</li> </ul>
De lage of hoge tonen zijn zwak	<ul style="list-style-type: none"> <li>Controleer de instellingen voor toonbalans van de receiver/versterker.</li> <li>Zorg dat de polariteit van deze aansluitingen consistent is (+ op + en – op –) op de receiver/versterker en de luidspreker. Zie “De luidsprekeraansluitingen maken” op pagina 17.</li> </ul>
Slechts één luidspreker werkt	<ul style="list-style-type: none"> <li>Controleer de balansregeling op uw receiver/versterker en zorg dat deze in het midden staat.</li> <li>Controleer de draden naar de luidspreker die niet werkt. Zorg dat de draden in goede staat en juist aangesloten zijn. Zie “De luidsprekeraansluitingen maken” op pagina 17.</li> </ul>
Slechts één luidspreker werkt nog	<ul style="list-style-type: none"> <li>Traceer de kabel van de desbetreffende luidspreker naar de receiver/versterker. Neem de kabel van het kanaal van de receiver/versterker en sluit hem opnieuw aan op een ander receiver-/versterkerkanaal.             <ul style="list-style-type: none"> <li>Als de prestatie nu goed is, is er een probleem met het oorspronkelijke receiver-/versterkerkanaal, de muziekbron of de aansluitingen tussen de receiver/versterker en de bron. Controleer of deze allemaal juist functioneren. Sluit de luidspreker opnieuw aan op het juiste kanaal van een functionerende receiver/versterker.</li> <li>Als het probleem aanhoudt, is de bron ofwel de luidsprekerdraad of de desbetreffende luidspreker. Ga als volgt te werk.</li> </ul> </li> <li>Neem de kabel van de desbetreffende luidspreker en sluit hem aan op de tweede luidspreker.             <ul style="list-style-type: none"> <li>Als de prestatie nu goed is, is er een probleem met de oorspronkelijke luidspreker. Neem contact op met uw erkende Bose®-dealer voor een onderhoudsbeurt. U kunt ook rechtstreeks contact met Bose opnemen m.b.v. de adresinformatie die bij de doos is ingesloten.</li> <li>Als het probleem aanhoudt, is er een probleem met de luidsprekerdraden. Ga als volgt te werk.</li> </ul> </li> <li>Voordat u de luidsprekerdraden vervangt en opnieuw aanlegt, dient u alle aansluitingen te controleren. Herhaal vervolgens de procedure voor het controleren van de bron van het probleem zoals hierboven staat beschreven.</li> </ul>
Ruis of storing van één luidspreker	<ul style="list-style-type: none"> <li>Controleer de aansluitingen bij de luidspreker en bij de receiver/versterker. Controleer of de draden in goede conditie en stevig bevestigd zijn en zorg dat er geen losse draden over de klemmen lopen. Controleer tevens de aansluitingen van de receiver/versterker naar de componentbron van de muziek.             <ul style="list-style-type: none"> <li>Als het probleem aanhoudt, dient u de bovenstaande instructies voor het oplossen van problemen onder “Slechts één luidspreker werkt nog” te volgen.</li> </ul> </li> </ul>

## Klantenservice

Voor verdere hulp bij het oplossen van problemen dient u contact op te nemen met uw Bose-dealer. Of neem rechtstreeks contact op met de klantenservice van Bose® m.b.v. de adresinformatie die bij de doos is ingesloten.

## Garantieperiode

Voor de Virtually Invisible® 191 luidsprekers geldt een beperkte overdraagbare garantie van vijf jaar. Verdere gegevens over de garantie staan op het garantiebewijs bij de luidsprekers. Gelieve het informatiegedeelte in te vullen, af te scheuren en terug te zenden naar Bose.

## Accessoires

- Kit voor verlaagde plafonds voor twee luidsprekers  
Beschermt de plafondtegels tegen het dragen van het gewicht van de luidsprekers. Instructies inbegrepen.
- Pre-installatiekit voor twee luidsprekers  
Reserveert een plaats voor de luidsprekers nadat de balken op hun plaats zijn en voordat de wandplaat wordt toegevoegd en geeft aan waar het gat in de wandplaat moet worden gemaakt. Instructies inbegrepen.

Voor informatie of om accessoires te bestellen, dient u contact op te nemen met uw Bose-dealer. U kunt ook rechtstreeks contact opnemen met Bose m.b.v. de adresinformatie die bij de doos is ingesloten.

## Technische informatie

### Funcities

- Virtually Invisible® en Articulated Array® luidsprekerontwerp
- Unieke kasttechnologie van Bose
- Stereo Everywhere® luidsprekerprestatie
- Rooster dat geverfd kan worden
- Syncom®-computergetest

### Gebruik

- Kan gebruikt worden met versterkers of receiver van 10-100 W per kanaal/ 4 tot 8 ohm
- 50W IEC voortdurende belastbaarheid; 6 ohm

### Drivergegevens

- Twee (2) drivers met volledig bereik van 6,4 cm per luidspreker

### Kast

- Polystyreen met poortjes (high-impact)
- Wit frame en rooster

### Afmetingen

- Elke luidspreker:  
34,6 cm H x 19,9 cm B x 9,8 cm D
- Wand- of plafondoppervlak vereist voor elke:  
Rechthoekige luidspreker – 20,5 cm x 14 cm  
Ronde luidspreker – diameter van 26 cm

### Gewicht

- 2,0 kg per stuk









***BOSE***<sup>®</sup>  
*Better sound through research*<sup>®</sup>

©2005 Bose Corporation, The Mountain,  
Framingham, MA 01701-9168 USA  
288341 AM Rev.00 CCM-001615



## Free Manuals Download Website

<http://myh66.com>

<http://usermanuals.us>

<http://www.somanuals.com>

<http://www.4manuals.cc>

<http://www.manual-lib.com>

<http://www.404manual.com>

<http://www.luxmanual.com>

<http://aubethermostatmanual.com>

Golf course search by state

<http://golfingnear.com>

Email search by domain

<http://emailbydomain.com>

Auto manuals search

<http://auto.somanuals.com>

TV manuals search

<http://tv.somanuals.com>