

MITSUBISHI

General-Purpose AC Servo

MELSERVO-J2-Super Series

SSCNET Compatible

MR-J2S-□B

Servo Amplifier

Instruction Manual



● Safety Instructions ●

(Always read these instructions before using the equipment.)

Do not attempt to install, operate, maintain or inspect the servo amplifier and servo motor until you have read through this Instruction Manual, Installation guide, Servo motor Instruction Manual and appended documents carefully and can use the equipment correctly. Do not use the servo amplifier and servo motor until you have a full knowledge of the equipment, safety information and instructions.

In this Instruction Manual, the safety instruction levels are classified into "WARNING" and "CAUTION".





Indicates that incorrect handling may cause hazardous conditions, resulting in death or severe injury.





Indicates that incorrect handling may cause hazardous conditions, resulting in medium or slight injury to personnel or may cause physical damage.

Note that the CAUTION level may lead to a serious consequence according to conditions. Please follow the instructions of both levels because they are important to personnel safety.

What must not be done and what must be done are indicated by the following diagrammatic symbols:

: Indicates what must not be done. For example, "No Fire" is indicated by .

: Indicates what must be done. For example, grounding is indicated by .

In this Instruction Manual, instructions at a lower level than the above, instructions for other functions, and so on are classified into "POINT".

After reading this Instruction Manual, always keep it accessible to the operator.

1. To prevent electric shock, note the following:

WARNING

- Before wiring or inspection, switch power off and wait for more than 10 minutes. Then, confirm the voltage is safe with voltage tester. Otherwise, you may get an electric shock.
- Connect the servo amplifier and servo motor to ground.
- Any person who is involved in wiring and inspection should be fully competent to do the work.
- Do not attempt to wire the servo amplifier and servo motor until they have been installed. Otherwise, you may get an electric shock.
- Operate the switches with dry hand to prevent an electric shock.
- The cables should not be damaged, stressed, loaded, or pinched. Otherwise, you may get an electric shock.

2. To prevent fire, note the following:

CAUTION

- Do not install the servo amplifier, servo motor and regenerative brake resistor on or near combustibles. Otherwise a fire may cause.
- When the servo amplifier has become faulty, switch off the main servo amplifier power side. Continuous flow of a large current may cause a fire.
- When a regenerative brake resistor is used, use an alarm signal to switch main power off. Otherwise, a regenerative brake transistor fault or the like may overheat the regenerative brake resistor, causing a fire.

3. To prevent injury, note the follow

CAUTION

- Only the voltage specified in the Instruction Manual should be applied to each terminal. Otherwise, a burst, damage, etc. may occur.
- Connect the terminals correctly to prevent a burst, damage, etc.
- Ensure that polarity (+, -) is correct. Otherwise, a burst, damage, etc. may occur.
- During power-on or for some time after power-off, do not touch or close a parts (cable etc.) to the servo amplifier heat sink, regenerative brake resistor, servo motor, etc. Their temperatures may be high and you may get burnt or a parts may damaged.

4. Additional instructions

The following instructions should also be fully noted. Incorrect handling may cause a fault, injury, electric shock, etc.

(1) Transportation and installation

⚠ CAUTION

- Transport the products correctly according to their weights.
- Stacking in excess of the specified number of products is not allowed.
- Do not carry the motor by the cables, shaft or encoder.
- Do not hold the front cover to transport the controller. The controller may drop.
- Install the servo amplifier in a load-bearing place in accordance with the Instruction Manual.
- Do not climb or stand on servo equipment. Do not put heavy objects on equipment.
- The controller and servo motor must be installed in the specified direction.
- Leave specified clearances between the servo amplifier and control enclosure walls or other equipment.
- Do not install or operate the servo amplifier and servo motor which has been damaged or has any parts missing.
- Provide adequate protection to prevent screws and other conductive matter, oil and other combustible matter from entering the servo amplifier.
- Do not drop or strike servo amplifier or servo motor. Isolate from all impact loads.
- Use the servo amplifier and servo motor under the following environmental conditions:

Environment			Conditions	
			Servo amplifier	Servo motor
Ambient temperature	Operation	[°C]	0 to +55 (non-freezing)	0 to +40 (non-freezing)
		[°F]	32 to 131 (non-freezing)	32 to 104 (non-freezing)
	Storage	[°C]	-20 to +65 (non-freezing)	-15 to +70 (non-freezing)
		[°F]	-4 to 149 (non-freezing)	5 to 158 (non-freezing)
Ambient humidity	Operation	90%RH or less (non-condensing)		80%RH or less (non-condensing)
	Storage	90%RH or less (non-condensing)		
Ambience			Indoors (no direct sunlight) Free from corrosive gas, flammable gas, oil mist, dust and dirt	
Altitude			Max. 1000m (3280 ft) above sea level	
Vibration	[m/s ²]	5.9 or less	HC-KFS Series HC-MFS Series HC-UFS13 to 73	X • Y : 49
			HC-SFS81 HC-SFS52 to 152 HC-SFS53 to 153 HC-RFS Series HC-UFS 72 • 152	X • Y : 24.5
			HC-SFS121 • 201 HC-SFS202 • 352 HC-SFS203 • 353 HC-UFS202 to 502	X : 24.5 Y : 49
			HC-SFS301 HC-SFS502 to 702	X : 24.5 Y : 29.4
	[ft/s ²]	19.4 or less	HC-KFS Series HC-MFS Series HC-UFS 13 to 73	X • Y : 161
			HC-SFS81 HC-SFS52 to 152 HC-SFS53 to 153 HC-RFS Series HC-UFS 72 • 152	X • Y : 80
			HC-SFS121 • 201 HC-SFS202 • 352 HC-SFS203 • 353 HC-UFS202 to 502	X : 80 Y : 161
			HC-SFS301 HC-SFS502 to 702	X : 80 Y : 96

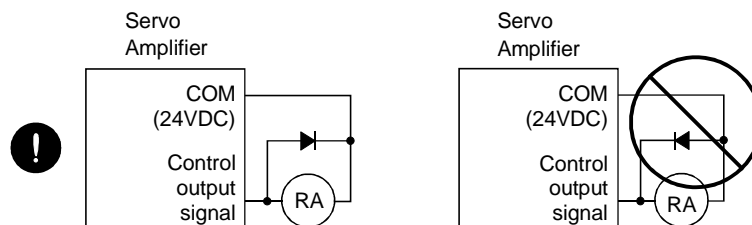
⚠ CAUTION

- Securely attach the servo motor to the machine. If attach insecurely, the servo motor may come off during operation.
- The servo motor with reduction gear must be installed in the specified direction to prevent oil leakage.
- For safety of personnel, always cover rotating and moving parts.
- Never hit the servo motor or shaft, especially when coupling the servo motor to the machine. The encoder may become faulty.
- Do not subject the servo motor shaft to more than the permissible load. Otherwise, the shaft may break.
- When the equipment has been stored for an extended period of time, consult Mitsubishi.

(2) Wiring

⚠ CAUTION

- Wire the equipment correctly and securely. Otherwise, the servo motor may misoperate.
- Do not install a power capacitor, surge absorber or radio noise filter (FR-BIF option) between the servo motor and servo amplifier.
- Connect the output terminals (U, V, W) correctly. Otherwise, the servo motor will operate improperly.
- Do not connect AC power directly to the servo motor. Otherwise, a fault may occur.
- The surge absorbing diode installed on the DC output signal relay must be wired in the specified direction. Otherwise, the forced stop and other protective circuits may not operate.



(3) Test run adjustment

⚠ CAUTION

- Before operation, check the parameter settings. Improper settings may cause some machines to perform unexpected operation.
- The parameter settings must not be changed excessively. Operation will be insatiable.

(4) Usage

⚠ CAUTION

- Provide a forced stop circuit to ensure that operation can be stopped and power switched off immediately.
- Any person who is involved in disassembly and repair should be fully competent to do the work.
- Before resetting an alarm, make sure that the run signal is off to prevent an accident. A sudden restart is made if an alarm is reset with the run signal on.
- Do not modify the equipment.
- Use a noise filter, etc. to minimize the influence of electromagnetic interference, which may be caused by electronic equipment used near the servo amplifier.
- Use the servo amplifier with the specified servo motor.
- The electromagnetic brake on the servo motor is designed to hold the motor shaft and should not be used for ordinary braking.
- For such reasons as service life and mechanical structure (e.g. where a ballscrew and the servo motor are coupled via a timing belt), the electromagnetic brake may not hold the motor shaft. To ensure safety, install a stopper on the machine side.

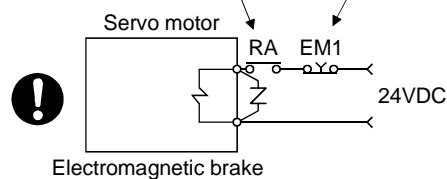
(5) Corrective actions

⚠ CAUTION

- When it is assumed that a hazardous condition may take place at the occur due to a power failure or a product fault, use a servo motor with electromagnetic brake or an external brake mechanism for the purpose of prevention.
- Configure the electromagnetic brake circuit so that it is activated not only by the servo amplifier signals but also by a forced stop signal.

Contacts must be open when servo-on signal is off, when an alarm (trouble) is present and when an electromagnetic brake signal.

Circuit must be opened during forced stop signal.



- When any alarm has occurred, eliminate its cause, ensure safety, and deactivate the alarm before restarting operation.
- When power is restored after an instantaneous power failure, keep away from the machine because the machine may be restarted suddenly (design the machine so that it is secured against hazard if restarted).

(6) Maintenance, inspection and parts replacement

 **CAUTION**

- With age, the electrolytic capacitor will deteriorate. To prevent a secondary accident due to a fault, it is recommended to replace the electrolytic capacitor every 10 years when used in general environment. Please consult our sales representative.

(7) Disposal

 **CAUTION**

- Dispose of the product as general industrial waste.

(8) General instruction

- To illustrate details, the equipment in the diagrams of this Instruction Manual may have been drawn without covers and safety guards. When the equipment is operated, the covers and safety guards must be installed as specified. Operation must be performed in accordance with this Instruction Manual.

COMPLIANCE WITH EC DIRECTIVES

1. WHAT ARE EC DIRECTIVES?

The EC directives were issued to standardize the regulations of the EU countries and ensure smooth distribution of safety-guaranteed products. In the EU countries, the machinery directive (effective in January, 1995), EMC directive (effective in January, 1996) and low voltage directive (effective in January, 1997) of the EC directives require that products to be sold should meet their fundamental safety requirements and carry the CE marks (CE marking). CE marking applies to machines and equipment into which servo amplifiers have been installed.

(1) EMC directive

The EMC directive applies not to the servo units alone but to servo-incorporated machines and equipment. This requires the EMC filters to be used with the servo-incorporated machines and equipment to comply with the EMC directive. For specific EMC directive conforming methods, refer to the EMC Installation Guidelines (IB(NA)67310).

This servo is certified by TUV, third-party assessment organization, to comply with the EMC directive in the conforming methods of the EMC Installation Guidelines.

(2) Low voltage directive

The low voltage directive applies also to servo units alone. Hence, they are designed to comply with the low voltage directive.

This servo is certified by TUV, third-party assessment organization, to comply with the low voltage directive.

(3) Machine directive

Not being machines, the servo amplifiers need not comply with this directive.

2. PRECAUTIONS FOR COMPLIANCE

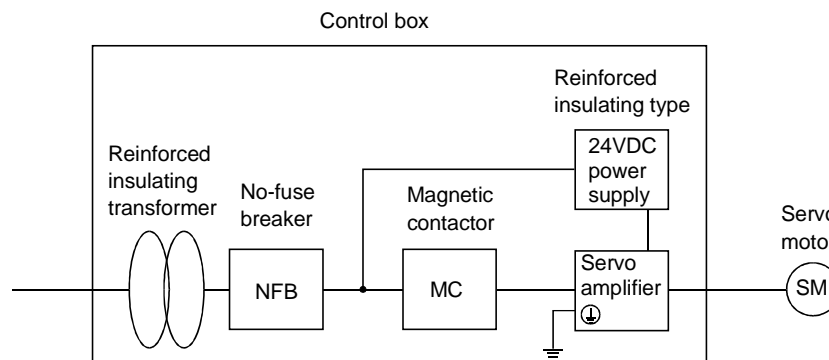
(1) Servo amplifiers and servo motors used

Use the servo amplifiers and servo motors which comply with the standard model.

Servo amplifier :MR-J2S-10B to MR-J2S-700B
MR-J2S-10B1 to MR-J2S-40B1

Servo motor :HC-KFS□
HC-MFS□
HC-SFS□
HC-RFS□
HC-UFS□

(2) Configuration



(3) Environment

Operate the servo amplifier at or above the contamination level 2 set forth in IEC664. For this purpose, install the servo amplifier in a control box which is protected against water, oil, carbon, dust, dirt, etc. (IP54).

(4) Power supply

- (a) Operate the servo amplifier to meet the requirements of the overvoltage category II set forth in IEC664. For this purpose, a reinforced insulating transformer conforming to the IEC or EN standard should be used in the power input section.
- (b) When supplying interface power from external, use a 24VDC power supply which has been insulation-reinforced in I/O.

(5) Grounding

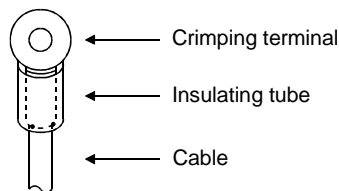
- (a) To prevent an electric shock, always connect the protective earth (PE) terminals (marked ⊕) of the servo amplifier to the protective earth (PE) of the control box.
- (b) Do not connect two ground cables to the same protective earth (PE) terminal. Always connect the cables to the terminals one-to-one.



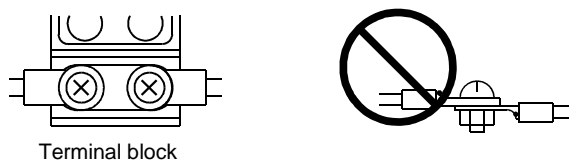
- (c) If a leakage current breaker is used to prevent an electric shock, the protective earth (PE) terminals of the servo amplifier must be connected to the corresponding earth terminals.

(6) Wiring

- (a) The cables to be connected to the terminal block of the servo amplifier must have crimping terminals provided with insulating tubes to prevent contact with adjacent terminals.



- (b) When the servo motor has a power supply lead, use a fixed terminal block to connect it with the servo amplifier. Do not connect cables directly.



(7) Auxiliary equipment and options

- (a) The no-fuse breaker and magnetic contactor used should be the EN or IEC standard-compliant products of the models described in Section 12.2.2.
- (b) The sizes of the cables described in Section 12.2.1 meet the following requirements. To meet the other requirements, follow Table 5 and Appendix C in EN60204-1.
 - Ambient temperature: 40 (104) [°C (°F)]
 - Sheath: PVC (polyvinyl chloride)
 - Installed on wall surface or open table tray
- (c) Use the EMC filter for noise reduction. The radio noise filter (FR-BIF) is not required.

(8) Performing EMC tests

When EMC tests are run on a machine/device into which the servo amplifier has been installed, it must conform to the electromagnetic compatibility (immunity/emission) standards after it has satisfied the operating environment/electrical equipment specifications.

For the other EMC directive guidelines on the servo amplifier, refer to the EMC Installation Guidelines (IB(NA)67310).

CONFORMANCE WITH UL/C-UL STANDARD

(1) Servo amplifiers and servo motors used

Use the servo amplifiers and servo motors which comply with the standard model.

- Servo amplifier :MR-J2S-10B to MR-J2S-700B
 MR-J2S-10B1 to MR-J2S-40B1
- Servo motor :HC-KFS□
 HC-MFS□
 HC-SFS□
 HC-RFS□
 HC-UFS□

(2) Installation

Install a fan of 100CFM air flow 10.16 cm (4 in) above the servo amplifier or provide cooling of at least equivalent capability.

(3) Short circuit rating

This servo amplifier conforms to the circuit whose peak current is limited to 5000A or less. Having been subjected to the short-circuit tests of the UL in the alternating-current circuit, the servo amplifier conforms to the above circuit.

(4) Capacitor discharge time

The capacitor discharge time is as listed below. To ensure safety, do not touch the charging section for 10 minutes after power-off.

Servo amplifier	Discharge time [min]
MR-J2S-10B(1) · 20B(1)	1
MR-J2S-40B(1) · 60B	2
MR-J2S-70B to 350B	3
MR-J2S-500B · 700B	5

(5) Options and auxiliary equipment

Use UL/C-UL standard-compliant products.

<<About the manuals>>

This Instruction Manual and the MELSERVO Servo Motor Instruction Manual are required if you use the General-Purpose AC servo MR-J2S-B for the first time. Always purchase them and use the MR-J2S-B safely.

Also read the manual of the servo system controller.

Relevant manuals

Manual name	Manual No.
MELSERVO-J2-Super Series To Use the AC Servo Safely (Packed with the servo amplifier)	IB(NA)0300010
MELSERVO Servo Motor Instruction Manual	SH(NA)3181
EMC Installation Guidelines	IB(NA)67310

CONTENTS

1. FUNCTIONS AND CONFIGURATION	1- 1 to 1-18
1.1 Introduction.....	1- 1
1.2 Function block diagram	1- 2
1.3 Servo amplifier standard specifications	1- 3
1.4 Function list	1- 4
1.5 Model code definition	1- 5
1.6 Combination with servo motor	1- 6
1.7 Structure.....	1- 7
1.7.1 Parts identification	1- 7
1.7.2 Removal and reinstallation of the front cover	1-11
1.8 Servo system with auxiliary equipment.....	1-13
2. INSTALLATION	2- 1 to 2- 4
2.1 Environmental conditions.....	2- 1
2.2 Installation direction and clearances	2- 2
2.3 Keep out foreign materials	2- 3
2.4 Cable stress	2- 4
3. SIGNALS AND WIRING	3- 1 to 3-26
3.1 Connection example of control signal system	3- 2
3.2 I/O signals.....	3- 4
3.2.1 Connectors and signal arrangements	3- 4
3.2.2 Signal explanations	3- 5
3.3 Alarm occurrence timing chart	3- 6
3.4 Interfaces.....	3- 7
3.4.1 Common line	3- 7
3.4.2 Detailed description of the interfaces	3- 8
3.5 Power line circuit.....	3-11
3.5.1 Connection example.....	3-11
3.5.2 Terminals.....	3-13
3.5.3 Power-on sequence.....	3-14
3.6 Connection of servo amplifier and servo motor	3-15
3.6.1 Connection instructions	3-15
3.6.2 Connection diagram.....	3-15
3.6.3 I/O terminals	3-17
3.7 Servo motor with electromagnetic brake	3-19
3.8 Grounding.....	3-22
3.9 Servo amplifier terminal block (TE2) wiring method.....	3-23
3.10 Instructions for the 3M connector.....	3-24
3.11 Control axis selection	3-25
4. OPERATION AND DISPLAY	4- 1 to 4- 8
4.1 When switching power on for the first time.....	4- 1

4.2 Start up.....	4- 2
4.3 Servo amplifier display	4- 4
4.4 Test operation mode	4- 6

5. PARAMETERS	5- 1 to 5-18
----------------------	---------------------

5.1 Parameter write inhibit	5- 1
5.2 Lists.....	5- 1
5.3 Analog output.....	5-11
5.4 Replacement of MR-J2- □B by MR-J2S- □B.....	5-14
5.4.1 Main modifications made to the parameters	5-14
5.4.2 Explanation of the modified parameters.....	5-15

6. GENERAL GAIN ADJUSTMENT	6- 1 to 6-12
-----------------------------------	---------------------

6.1 Different adjustment methods	6- 1
6.1.1 Adjustment on a single servo amplifier.....	6- 1
6.1.2 Adjustment using servo configuration software.....	6- 3
6.2 Auto tuning	6- 4
6.2.1 Auto tuning mode	6- 4
6.2.2 Auto tuning mode operation	6- 5
6.2.3 Adjustment procedure by auto tuning.....	6- 6
6.2.4 Response level setting in auto tuning mode.....	6- 7
6.3 Manual mode 1 (simple manual adjustment).....	6- 8
6.3.1 Operation of manual mode 1	6- 8
6.3.2 Adjustment by manual mode 1	6- 8
6.4 Interpolation mode	6-11
6.5 Differences in auto tuning between MELSERVO-J2 and MELSERVO-J2-Super	6-12
6.5.1 Response level setting	6-12
6.5.2 Auto tuning selection.....	6-12

7. SPECIAL ADJUSTMENT FUNCTIONS	7- 1 to 7- 4
--	---------------------

7.1 Function block diagram	7- 1
7.2 Machine resonance suppression filter	7- 1
7.3 Adaptive vibration suppression control.....	7- 3
7.4 Low-pass filter	7- 4

8. INSPECTION	8- 1 to 8- 2
----------------------	---------------------

9. TROUBLESHOOTING	9- 1 to 9- 8
---------------------------	---------------------

9.1 Alarms and warning list	9- 1
9.2 Remedies for alarms.....	9- 2
9.3 Remedies for warnings.....	9- 7

10. OUTLINE DIMENSION DRAWINGS	10- 1 to 10- 8
---------------------------------------	-----------------------

10.1 Servo amplifiers.....	10- 1
10.2 Connectors.....	10- 6

11. CHARACTERISTICS	11- 1 to 11- 8
----------------------------	-----------------------

11.1 Overload protection characteristics.....	11- 1
11.2 Power supply equipment capacity and generated loss	11- 3
11.3 Dynamic brake characteristics.....	11- 5
11.4 Encoder cable flexing life	11- 7

12. OPTIONS AND AUXILIARY EQUIPMENT	12- 1 to 12-36
--	-----------------------

12.1 Options.....	12- 1
12.1.1 Regenerative brake options	12- 1
12.1.2 Brake unit.....	12- 7
12.1.3 Power return converter	12- 9
12.1.4 Cables and connectors	12-12
12.1.5 Maintenance junction card (MR-J2CN3TM)	12-21
12.1.6 Battery (MR-BAT, A6BAT).....	12-22
12.1.7 Servo configurations software	12-23
12.2 Auxiliary equipment	12-24
12.2.1 Recommended wires.....	12-24
12.2.2 No-fuse breakers, fuses, magnetic contactors.....	12-26
12.2.3 Power factor improving reactors	12-26
12.2.4 Relays.....	12-27
12.2.5 Surge absorbers	12-27
12.2.6 Noise reduction techniques.....	12-27
12.2.7 Leakage current breaker.....	12-33
12.2.8 EMC filter.....	12-35

13. ABSOLUTE POSITION DETECTION SYSTEM	13- 1 to 13- 4
---	-----------------------

13.1 Features.....	13- 1
13.2 Specifications	13- 2
13.3 Battery installation procedure	13- 3
13.4 Confirmation of absolute position detection data.....	13- 4

Optional Servo Motor Instruction Manual CONTENTS

The rough table of contents of the optional MELSERVO Servo Motor Instruction Manual is introduced here for your reference. Note that the contents of the Servo Motor Instruction Manual are not included in the Servo Amplifier Instruction Manual.

1. INTRODUCTION

2. INSTALLATION

3. CONNECTORS USED FOR SERVO MOTOR WIRING

4. INSPECTION

5. SPECIFICATIONS

6. CHARACTERISTICS

7. OUTLINE DIMENSION DRAWINGS

8. CALCULATION METHODS FOR DESIGNING

1. FUNCTIONS AND CONFIGURATION

1. FUNCTIONS AND CONFIGURATION

1.1 Introduction

The Mitsubishi MELSERVO-J2-Super series general-purpose AC servo is based on the MELSERVO-J2 series and has further higher performance and higher functions.

It is connected with a servo system controller or similar device via a serial bus (SSCNET) and the servo amplifier reads position data directly to perform operation.

Data from a command unit controls the speed and rotation direction of the servo motor and executes precision positioning.

A torque limit is imposed on the servo amplifier by the clamp circuit to protect the power transistor in the main circuit from overcurrent due to sudden acceleration/deceleration or overload. The torque limit value can be changed to any value with an external analog input or the parameter.

As this new series has the RS-232C serial communication function, a servo configuration software-installed personal computer or the like can be used to perform parameter setting, test operation, status display monitoring, gain adjustment, etc.

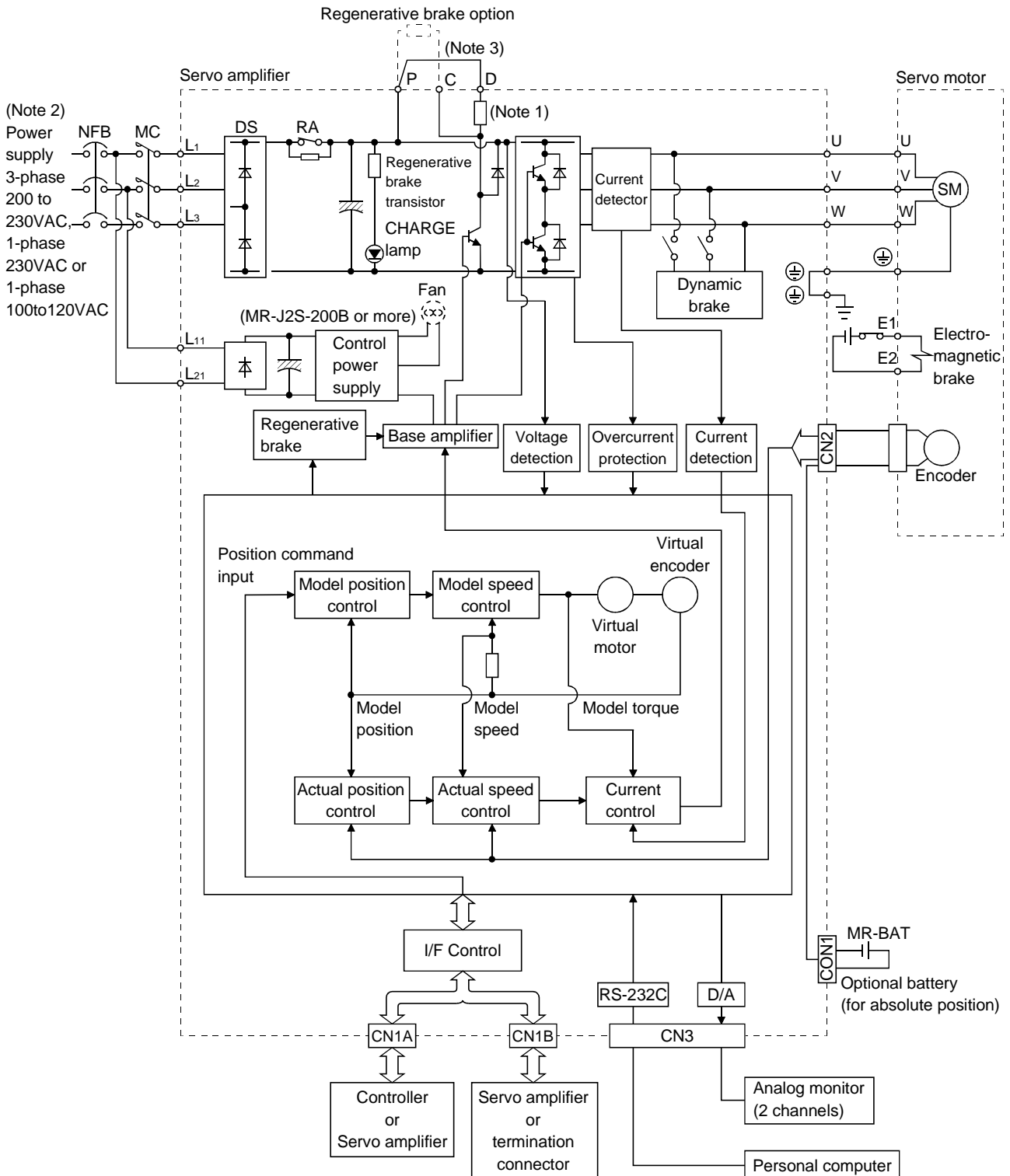
With real-time auto tuning, you can automatically adjust the servo gains according to the machine.

The MELSERVO-J2-Super series servo motor is equipped with an absolute position encoder which has the resolution of 131072 pulses/rev to ensure more accurate control as compared to the MELSERVO-J2 series. Simply adding a battery to the servo amplifier makes up an absolute position detection system. This makes home position return unnecessary at power-on or alarm occurrence by setting a home position once.

1. FUNCTIONS AND CONFIGURATION

1.2 Function block diagram

The function block diagram of this servo is shown below.



- Note:1. The built-in regenerative brake resistor is not provided for the MR-J2S-10B(1).
 2. For 1-phase 230VAC, connect the power supply to L1,L2 and leave L3 open.
 L3 is not provided for a 1-phase 100to120VAC power supply.
 3. For MR-J2S-350B or less.

1. FUNCTIONS AND CONFIGURATION

1.3 Servo amplifier standard specifications

Item		Servo Amplifier MR-J2S-□															
		10B	20B	40B	60B	70B	100B	200B	350B	500B	700B	10B1	20B1	40B1			
Power supply	Voltage/frequency	3-phase 200 to 230VAC, 50/60Hz or 1-phase 230VAC, 50/60Hz					3-phase 200 to 230VAC, 50/60Hz					1-phase 100 to 120VAC 50/60Hz					
	Permissible voltage fluctuation	3-phase 200 to 230VAC:170 to 253VAC 1-phase 230VAC: 207 to 253VAC					3-phase 170 to 253VAC					1-phase 85 to 127VAC					
	Permissible frequency fluctuation	Within ±5%															
	Power supply capacity	Refer to Section 11.2															
System		Sine-wave PWM control, current control system															
Dynamic brake		Built-in															
Protective functions		Overcurrent shut-off, regenerative overvoltage shut-off, overload shut-off (electronic thermal relay), servo motor overheat protection, encoder fault protection, regenerative fault protection, undervoltage, instantaneous power failure protection, overspeed protection, excessive error protection															
Structure		Self-cooled, open (IP00)					Force-cooling, open (IP00)					Self-cooled, open(IP00)					
Environment	Ambient temperature	Operation	[°C]	0 to +55 (non-freezing)													
			[°F]	32 to +131 (non-freezing)													
		Storage	[°C]	-20 to +65 (non-freezing)													
			[°F]	-4 to +149 (non-freezing)													
	Ambient humidity	Operation	90%RH or less (non-condensing)														
		Storage	90%RH or less (non-condensing)														
	Ambient		Indoors (no direct sunlight) Free from corrosive gas, flammable gas, oil mist, dust and dirt														
	Altitude		Max. 1000m (3280ft) above sea level														
Vibration		5.9 [m/s ²] or less															
		19.4 [ft/s ²] or less															
Weight		[kg]	0.7	0.7	1.1	1.1	1.7	1.7	2.0	2.0	4.9	7.2	0.7	0.7	1.1		
		[lb]	1.5	1.5	2.4	2.4	3.75	3.75	4.4	4.4	10.8	15.9	1.5	1.5	2.4		

1. FUNCTIONS AND CONFIGURATION

1.4 Function list

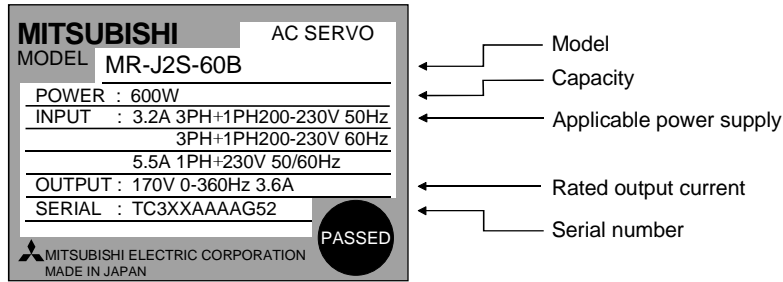
The following table lists the functions of this servo. For details of the functions, refer to the corresponding chapters and sections.

Function	Description	Refer to
High-resolution encoder	High-resolution encoder of 131072 pulses/rev is used as a servo motor encoder.	
Absolute position detection system	Merely setting a home position once makes home position return unnecessary at every power-on.	Chapter 13
Adaptive vibration suppression control	Servo amplifier detects mechanical resonance and sets filter characteristics automatically to suppress mechanical vibration.	Section 7.3
Low-pass filter	Suppresses high-frequency resonance which occurs as servo system response is increased.	Section 7.4
Machine analyzer function	Analyzes the frequency characteristic of the mechanical system by simply connecting a servo configuration software-installed personal computer and servo amplifier.	
Machine simulation	Can simulate machine motions on a personal computer screen on the basis of the machine analyzer results.	
Gain search function	Personal computer changes gains automatically and searches for overshoot-free gains in a short time.	
Slight vibration suppression control	Suppresses vibration of ± 1 pulse produced at a servo motor stop.	Parameter No.24
Auto tuning	Automatically adjusts the gain to optimum value if load applied to the servo motor shaft varies. Higher in performance than MELSERVO-J2 series servo amplifier.	Chapter 6
Regenerative brake option	Used when the built-in regenerative brake resistor of the servo amplifier does not have sufficient regenerative capability for the regenerative power generated.	Section 12.1.1
Brake unit	Used when the regenerative brake option cannot provide enough regenerative power. Can be used with the MR-J2S-500B • MR-J2S-700B.	Section 12.1.2
Return converter	Used when the regenerative brake option cannot provide enough regenerative power. Can be used with the MR-J2S-500B • MR-J2S-700B.	Section 12.1.3
Torque limit	Servo motor-generated torque can be limited to any value.	Parameters No.10, 11
Forced stop signal automatic ON	Forced stop signal (EM1) can be automatically switched on internally to invalidate it.	Parameter No.23
Output signal (DO) forced output	Output signal can be forced on/off independently of the servo status. Use this function for output signal wiring check, etc.	Section 4.4 (1) (e)
Test operation mode	Servo motor can be run from the operation section of the servo amplifier without the start signal entered.	Section 4.4
Analog monitor output	Servo status is output in terms of voltage in real time.	Parameter No. 22
Servo configuration software	Using a personal computer, parameter setting, test operation, status display, etc. can be performed.	Section 12.1.7

1. FUNCTIONS AND CONFIGURATION

1.5 Model code definition

(1) Rating plate



(2) Model

MR-J2S- □ B □
Series

Power Supply

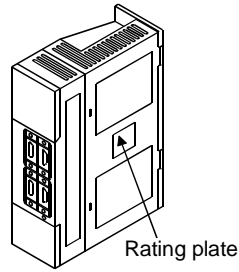
Symbol	Power supply
None	3-phase 200 to 230VAC (Note2) 1-phase 230VAC
(Note1) 1	1-phase 100V to 120VAC

Note:1. Not supplied to the servo amplifier of MR-J2S-60B or more.
2. Not supplied to the servo amplifier of MR-J2S-100B or more.
SSCNET compatible

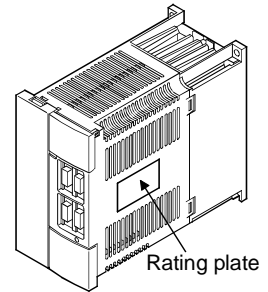
Rated output

Symbol	Rated output [W]	Symbol	Rated output [W]
10	100	100	1000
20	200	200	2000
40	400	350	3500
60	600	500	5000
70	700	700	7000

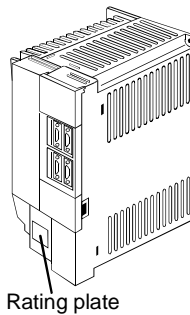
MR-J2S-100B or less



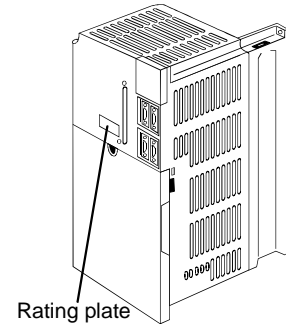
MR-J2S-200B-350B



MR-J2S-500B



MR-J2S-700B



1. FUNCTIONS AND CONFIGURATION

1.6 Combination with servo motor

The following table lists combinations of servo amplifiers and servo motors. The same combinations apply to the models with electromagnetic brakes and the models with reduction gears.

Servo amplifier	Servo motors							
	HC-KFS□	HC-MFS□	HC-SFS□			HC-RFS□	HC-UFS□	
			1000r/min	2000r/min	3000r/min		2000r/min	3000r/min
MR-J2S-10B(1)	053 · 13	053 · 13						13
MR-J2S-20B(1)	23	23						23
MR-J2S-40B(1)	43	43						43
MR-J2S-60B				52	53			
MR-J2S-70B	(Note) 73	73					72	73
MR-J2S-100B			81	102	103			
MR-J2S-200B			121 · 201	152 · 202	153 · 203	103 · 153	152	
MR-J2S-350B			301	352	353	203	202	
MR-J2S-500B				502		353 · 503	352 · 502	
MR-J2S-700B				702				

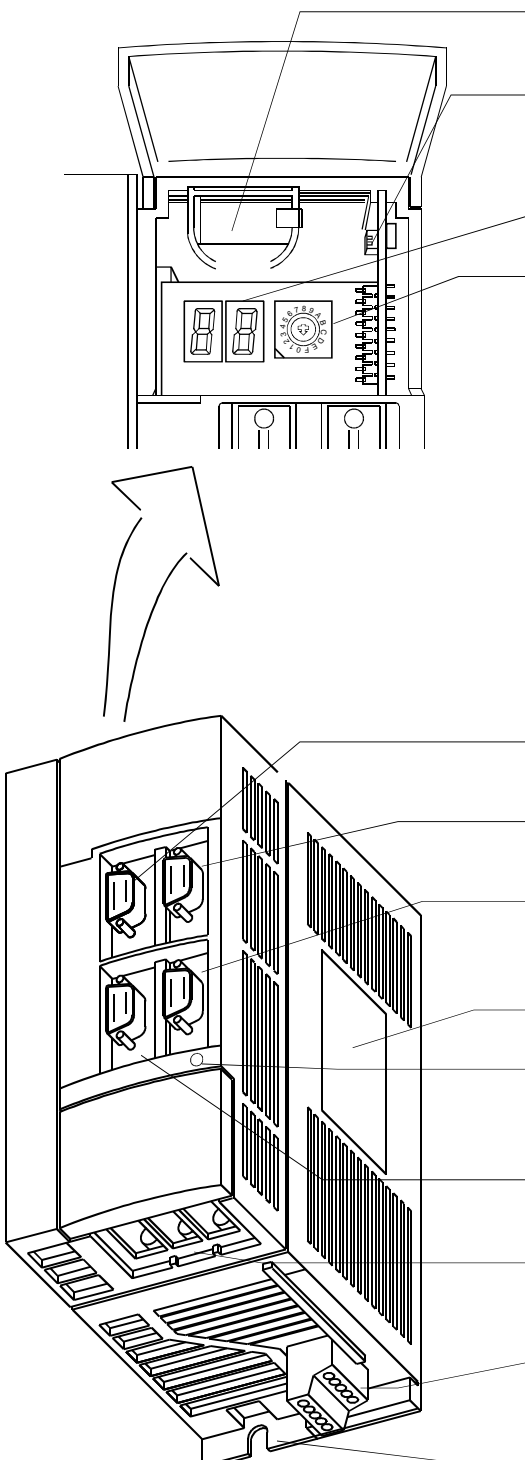
Note: The HC-KFS73 may not be connected depending on the production time of the servo amplifier. Please consult us.

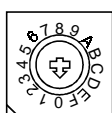
1. FUNCTIONS AND CONFIGURATION

1.7 Structure

1.7.1 Parts identification

(1) MR-J2S-100B or less



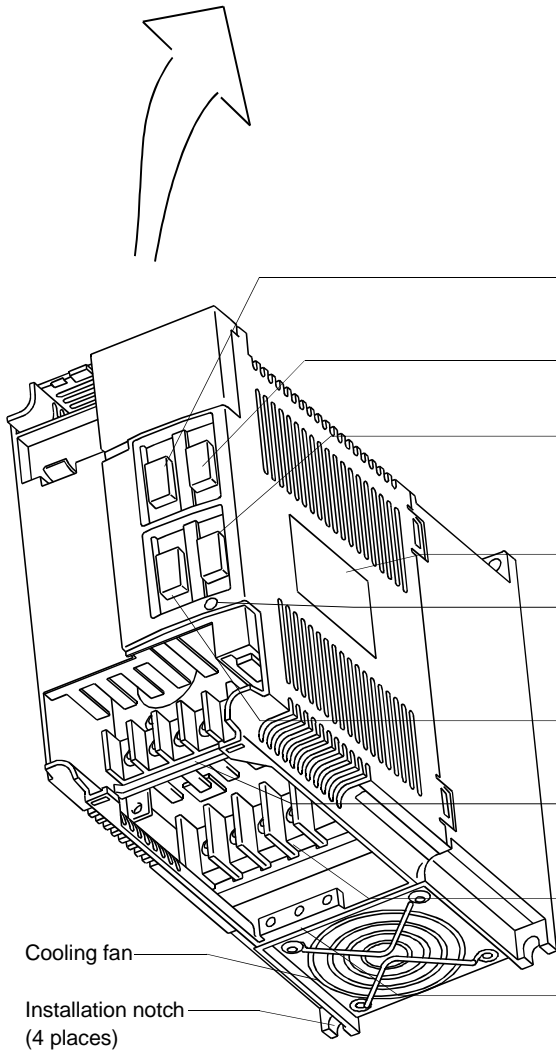
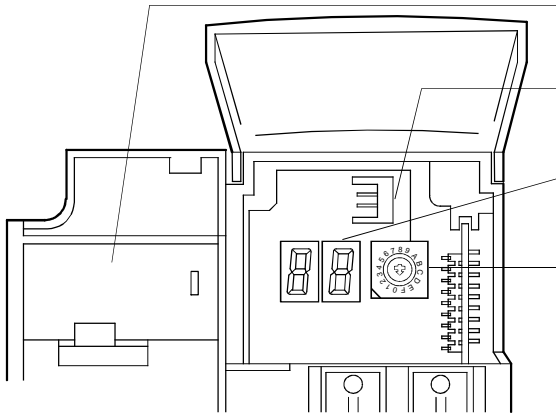
Name/Application	Refer to
Battery holder Contains the battery for absolute position data backup.	Section13.3
Battery connector (CON1) Used to connect the battery for absolute position data backup.	Section13.3
Display The two-digit, seven-segment LED shows the servo status and alarm number.	Chapter4
Axis select switch (CS1) CS1  Used to set the axis number of the servo amplifier.	Section3.11
Bus cable connector (CN1A) Used to connect the servo system controller or preceding axis servo amplifier.	Section3.2
Bus cable connector (CN1B) Used to connect the subsequent axis servo amplifier or termination connector (MR-A-TM).	Section3.2
Communication connector (CN3) Used to connect a personal computer (RS-232C) or output analog monitor data.	Section3.2 Section12.1.4
Name plate	Section1.5
Charge lamp Lit to indicate that the main circuit is charged. While this lamp is lit, do not reconnect the cables.	
Encoder connector (CN2) Connector for connection of the servo motor encoder.	Section3.2 Section12.1.4
Main circuit terminal block (TE1) Used to connect the input power supply and servo motor.	Section3.5.2 Section10.1
Control circuit terminal block (TE2) Used to connect the control circuit power supply and regenerative brake option.	Section3.5.2 Section10.1 Section12.1.1
Protective earth (PE) terminal (⊕) Ground terminal.	Section3.8 Section10.1

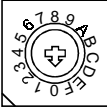
1. FUNCTIONS AND CONFIGURATION

(2) MR-J2S-200B • MR-J2S-350B

POINT

- The servo amplifier is shown without the front cover. For removal of the front cover, refer to Section 1.7.2.



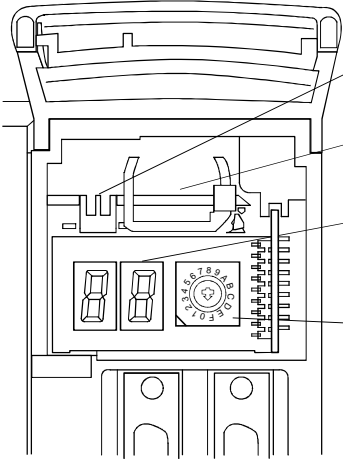

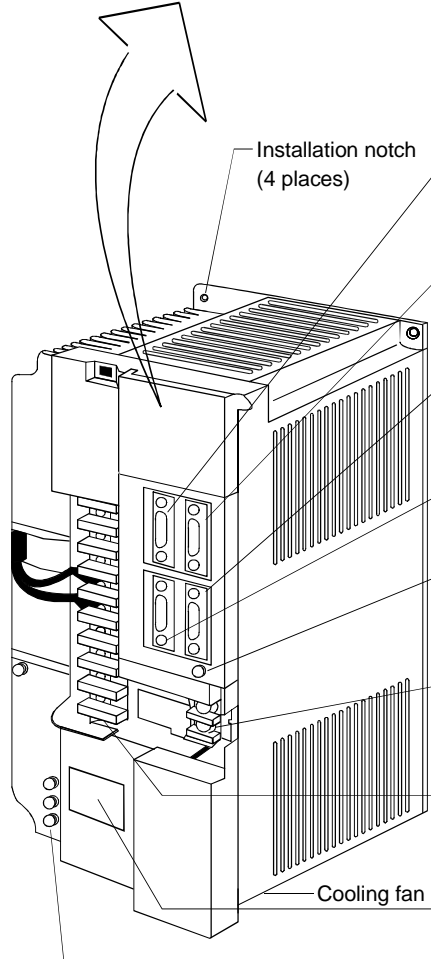
Name/Application	Refer to
Battery holder Contains the battery for absolute position data backup.	Section13.3
Battery connector (CON1) Used to connect the battery for absolute position data backup.	Section13.3
Display The two-digit, seven-segment LED shows the servo status and alarm number.	Chapter4
Axis select switch (CS1) CS1  Used to set the axis number of the servo amplifier.	Section3.11
Bus cable connector (CN1A) Used to connect the servo system controller or preceding axis servo amplifier.	Section3.2
Bus cable connector (CN1B) Used to connect the subsequent axis servo amplifier or termination connector (MR-A-TM).	Section3.2
Communication connector (CN3) Used to connect a personal computer (RS-232C) or output analog monitor data.	Section3.2 Section12.1.4
Name plate	Section1.5
Charge lamp Lit to indicate that the main circuit is charged. While this lamp is lit, do not reconnect the cables.	
Encoder connector (CN2) Connector for connection of the servo motor encoder.	Section3.2 Section12.1.4
Main circuit terminal block (TE1) Used to connect the input power supply and servo motor.	Section3.5.2 Section10.1
Control circuit terminal block (TE2) Used to connect the control power supply and regenerative brake option.	Section3.5.2 Section10.1 Section12.1.1
Protective earth (PE) terminal (⊕) Ground terminal.	Section3.8 Section10.1

1. FUNCTIONS AND CONFIGURATION

(3) MR-J2S-500B

POINT

- The servo amplifier is shown without the front cover. For removal of the front cover, refer to Section 1.7.2.

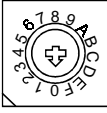
	Name/Application	Refer to
	Battery connector (CON1) Used to connect the battery for absolute position data backup.	Section13.3
	Battery holder Contains the battery for absolute position data backup.	Section13.3
	Display The two-digit, seven-segment LED shows the servo status and alarm number.	Chapter4
	Axis select switch (CS1) CS1  Used to set the axis number of the servo amplifier.	Section3.11
 <p>Installation notch (4 places)</p> <p>Cooling fan</p>	Bus cable connector (CN1A) Used to connect the servo system controller or preceding axis servo amplifier.	Section3.2
	Bus cable connector (CN1B) Used to connect the subsequent axis servo amplifier or termination connector (MR-A-TM).	Section3.2
	Communication connector (CN3) Used to connect a personal computer (RS-232C) or output analog monitor data.	Section3.2 Section12.1.4
	Encoder connector (CN2) Connector for connection of the servo motor encoder.	Section3.2 Section12.1.4
	Charge lamp Lit to indicate that the main circuit is charged. While this lamp is lit, do not reconnect the cables.	
	Control circuit terminal block (TE2) Used to connect the control circuit power supply.	Section3.5.2 Section10.1 Section12.1.1
	Main circuit terminal block (TE1) Used to connect the input power supply, regenerative brake option and servo motor.	Section3.5.2 Section10.1
	Name plate	Section1.5
Protective earth (PE) terminal (⊕) Ground terminal.	Section3.8 Section10.1	

1. FUNCTIONS AND CONFIGURATION

(4) MR-J2S-700B

POINT

- The servo amplifier is shown without the front cover. For removal of the front cover, refer to Section 1.7.2.

Name/Application	Refer to
Battery connector (CON1) Used to connect the battery for absolute position data backup.	Section13.3
Battery holder Contains the battery for absolute position data backup.	Section13.3
Display The two-digit, seven-segment LED shows the servo status and alarm number.	Chapter4
Axis select switch (CS1) CS1  Used to set the axis number of the servo amplifier.	Section3.11
Bus cable connector (CN1A) Used to connect the servo system controller or preceding axis servo amplifier.	Section3.2
Bus cable connector (CN1B) Used to connect the subsequent axis servo amplifier or termination connector (MR-A-TM).	Section3.2
Communication connector (CN3) Used to connect a personal computer (RS-232C) or output analog monitor data.	Section3.2 Section12.1.4
Charge lamp Lit to indicate that the main circuit is charged. While this lamp is lit, do not reconnect the cables.	
Control circuit terminal block (TE2) Used to connect the control circuit power supply.	Section3.5.2 Section10.1 Section12.1.1
Encoder connector (CN2) Connector for connection of the servo motor encoder.	Section3.2 Section12.1.4
Name plate	Section1.5
Main circuit terminal block (TE1) Used to connect the input power supply, regenerative brake option and servo motor.	Section3.5.2 Section10.1
Protective earth (PE) terminal (⊕) Ground terminal.	Section3.8 Section10.1

Cooling fan

Installation notch (4 places)

1. FUNCTIONS AND CONFIGURATION

1.7.2 Removal and reinstallation of the front cover

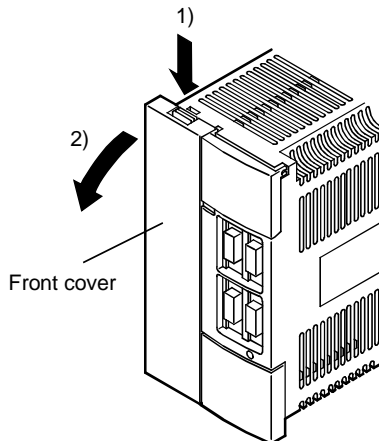


CAUTION

To avoid the risk of an electric shock, do not open the front cover while power is on.

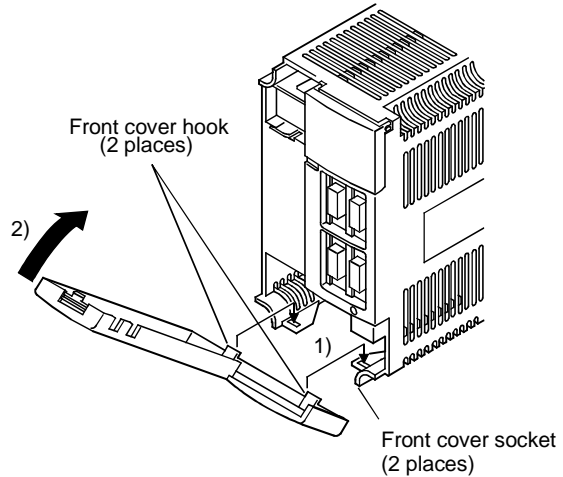
(1) For MR-J2S-200B or more

Removal of the front cover



- 1) Hold down the removing knob.
- 2) Pull the front cover toward you.

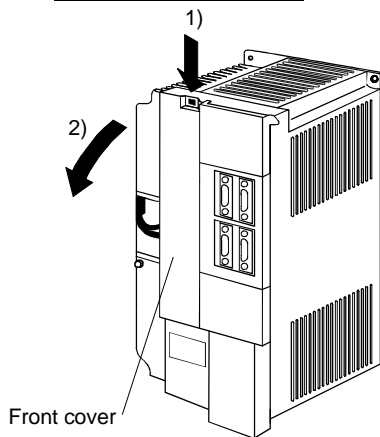
Reinstallation of the front cover



- 1) Insert the front cover hooks into the front cover sockets of the servo amplifier.
- 2) Press the front cover against the servo amplifier until the removing knob clicks.

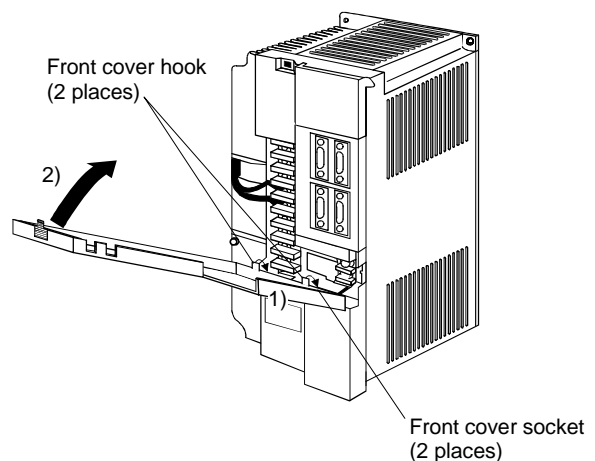
(2) For MR-J2S-500B

Removal of the front cover



- 1) Hold down the removing knob.
- 2) Pull the front cover toward you.

Reinstallation of the front cover

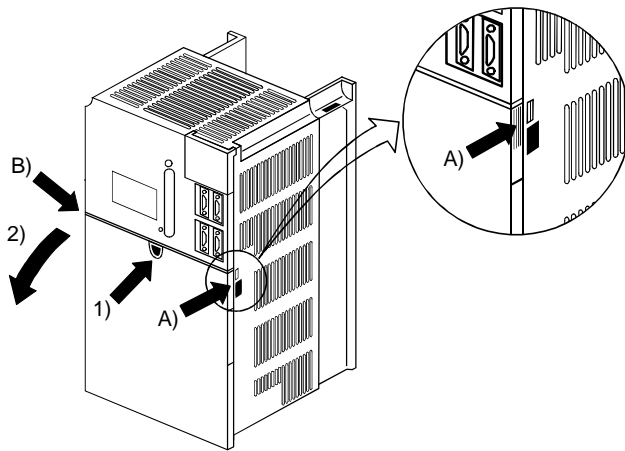


- 1) Insert the front cover hooks into the front cover sockets of the servo amplifier.
- 2) Press the front cover against the servo amplifier until the removing knob clicks.

1. FUNCTIONS AND CONFIGURATION

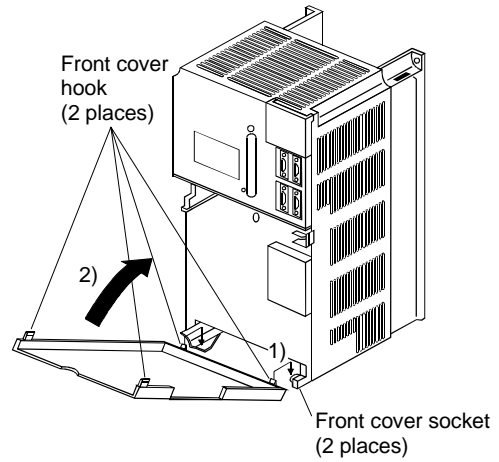
(3) For MR-J2S-700B

Removal of the front cover



- 1) Push the removing knob A) or B), and put your finger into the front hole of the front cover.
- 2) Pull the front cover toward you.

Reinstallation of the front cover



- 1) Insert the two front cover hooks at the bottom into the sockets of the servo amplifier.
- 2) Press the front cover against the servo amplifier until the removing knob clicks.

1. FUNCTIONS AND CONFIGURATION

1.8 Servo system with auxiliary equipment

	WARNING	To prevent an electric shock, always connect the protective earth (PE) terminal (terminal marked \oplus) of the servo amplifier to the protective earth (PE) of the control box.
--	----------------	---

(1) MR-J2S-100B or less

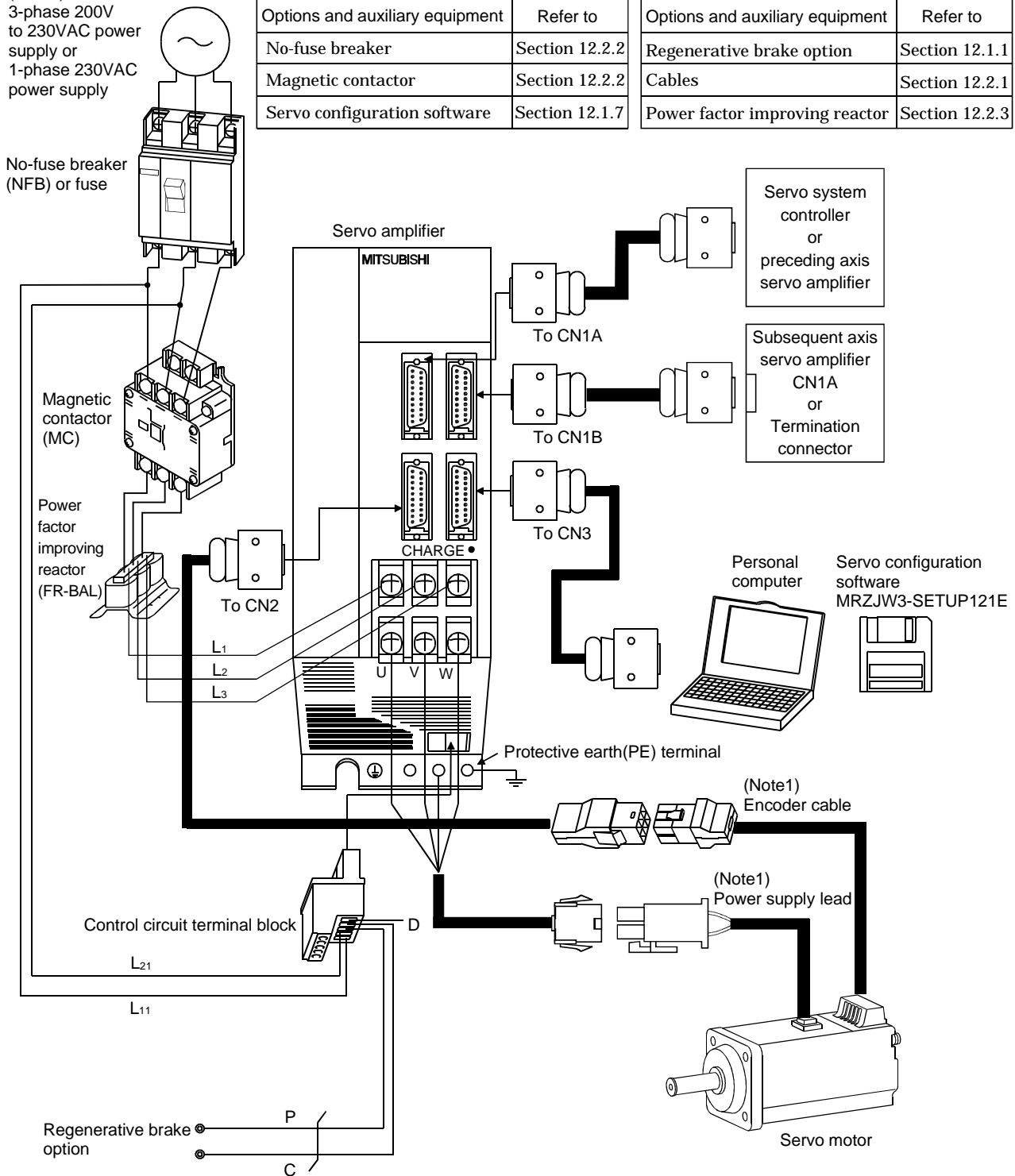
(a) For 3-phase 200V to 230VAC or 1-phase 230VAC

(Note2)

3-phase 200V to 230VAC power supply or 1-phase 230VAC power supply

Options and auxiliary equipment	Refer to
No-fuse breaker	Section 12.2.2
Magnetic contactor	Section 12.2.2
Servo configuration software	Section 12.1.7

Options and auxiliary equipment	Refer to
Regenerative brake option	Section 12.1.1
Cables	Section 12.2.1
Power factor improving reactor	Section 12.2.3

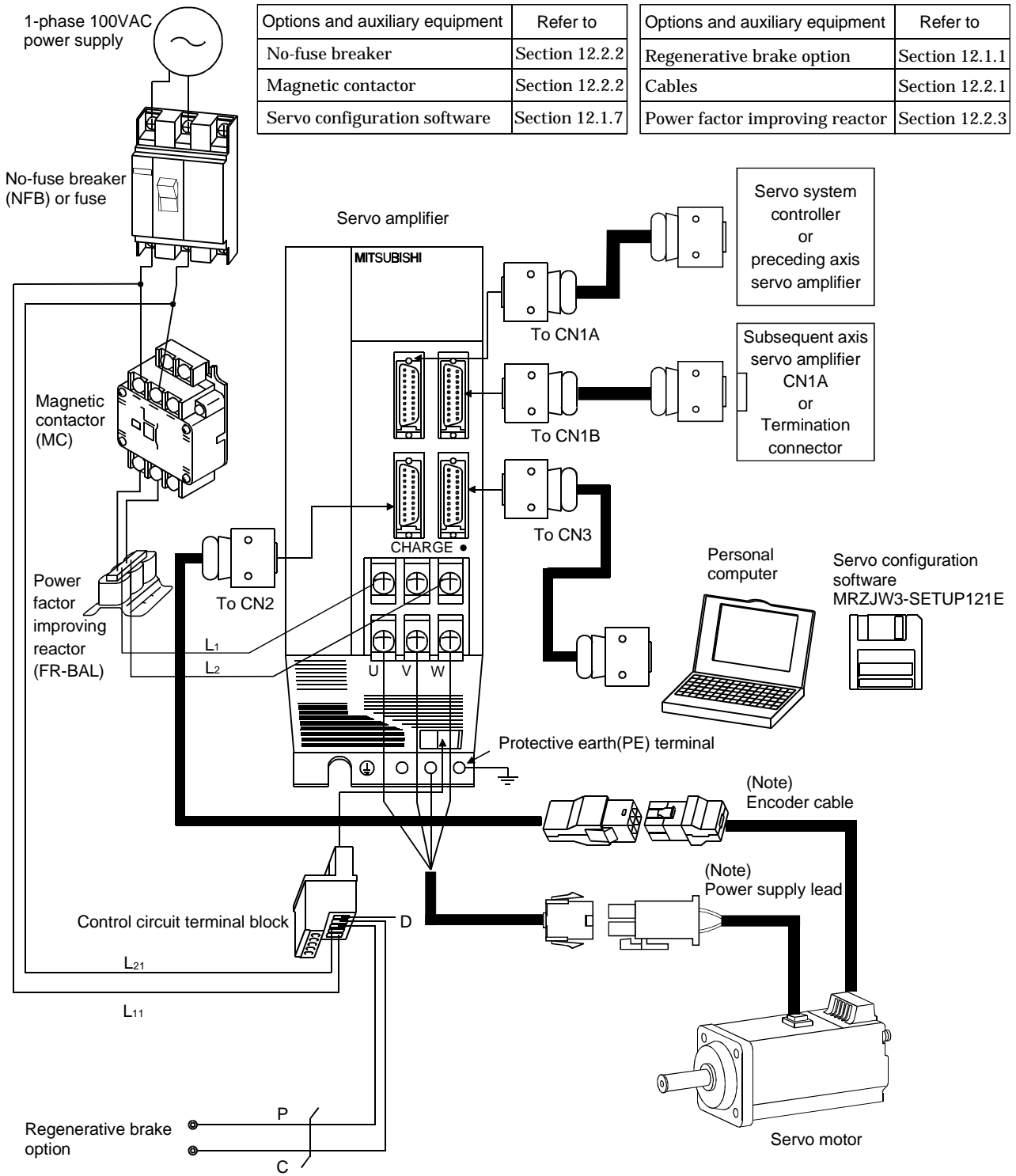


Note: 1. The HC-SFS, HC-RFS series have cannon connectors.

2. A 1-phase 230VAC power supply may be used with the servo amplifier of MR-J2S-70B or less. Connect the power supply to L1 and L2 terminals and leave L3 open.

1. FUNCTIONS AND CONFIGURATION

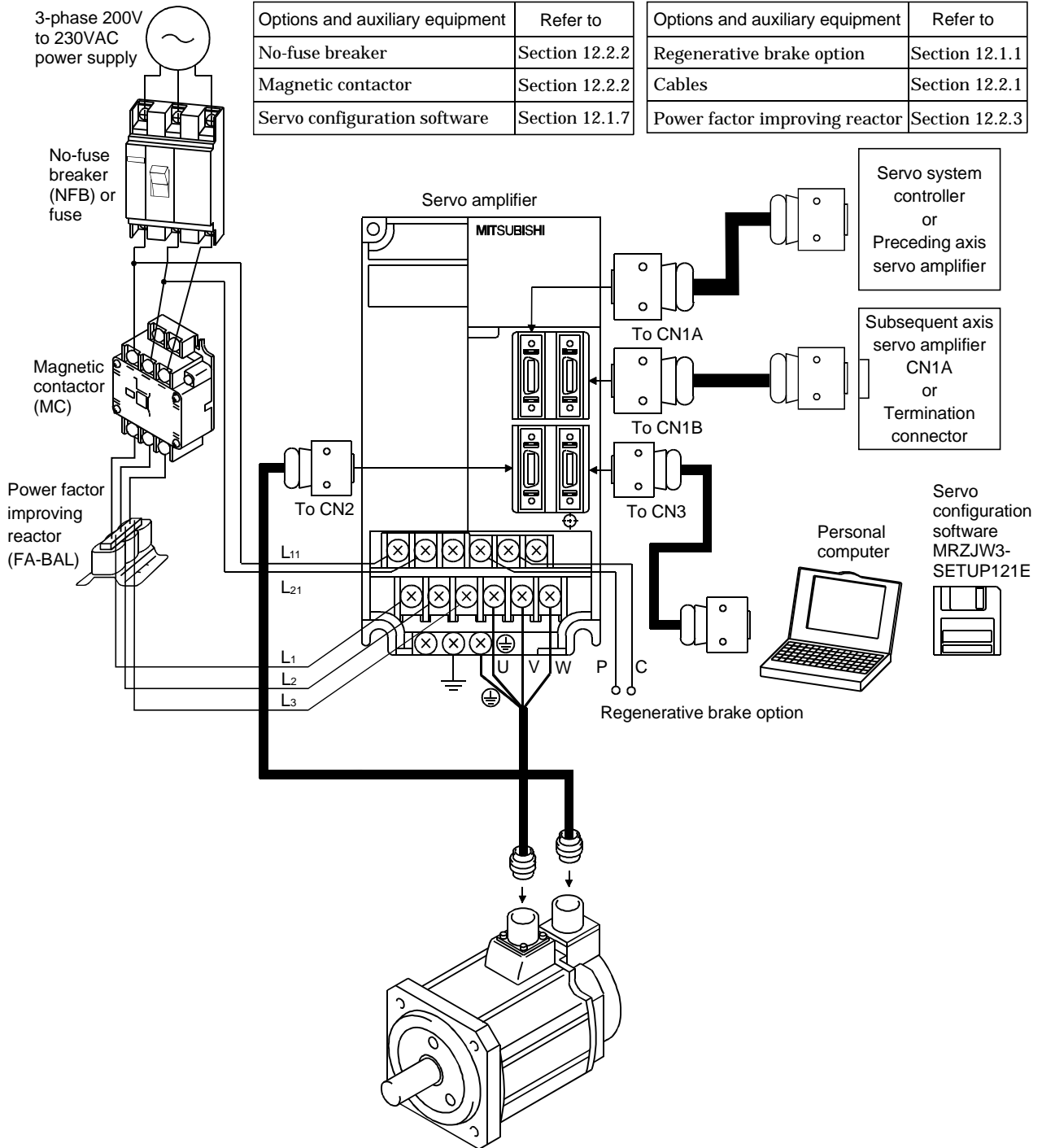
(b) For 1-phase 100V to 120VAC



Note: The HC-SFS, HC-RFS series have cannon connectors.

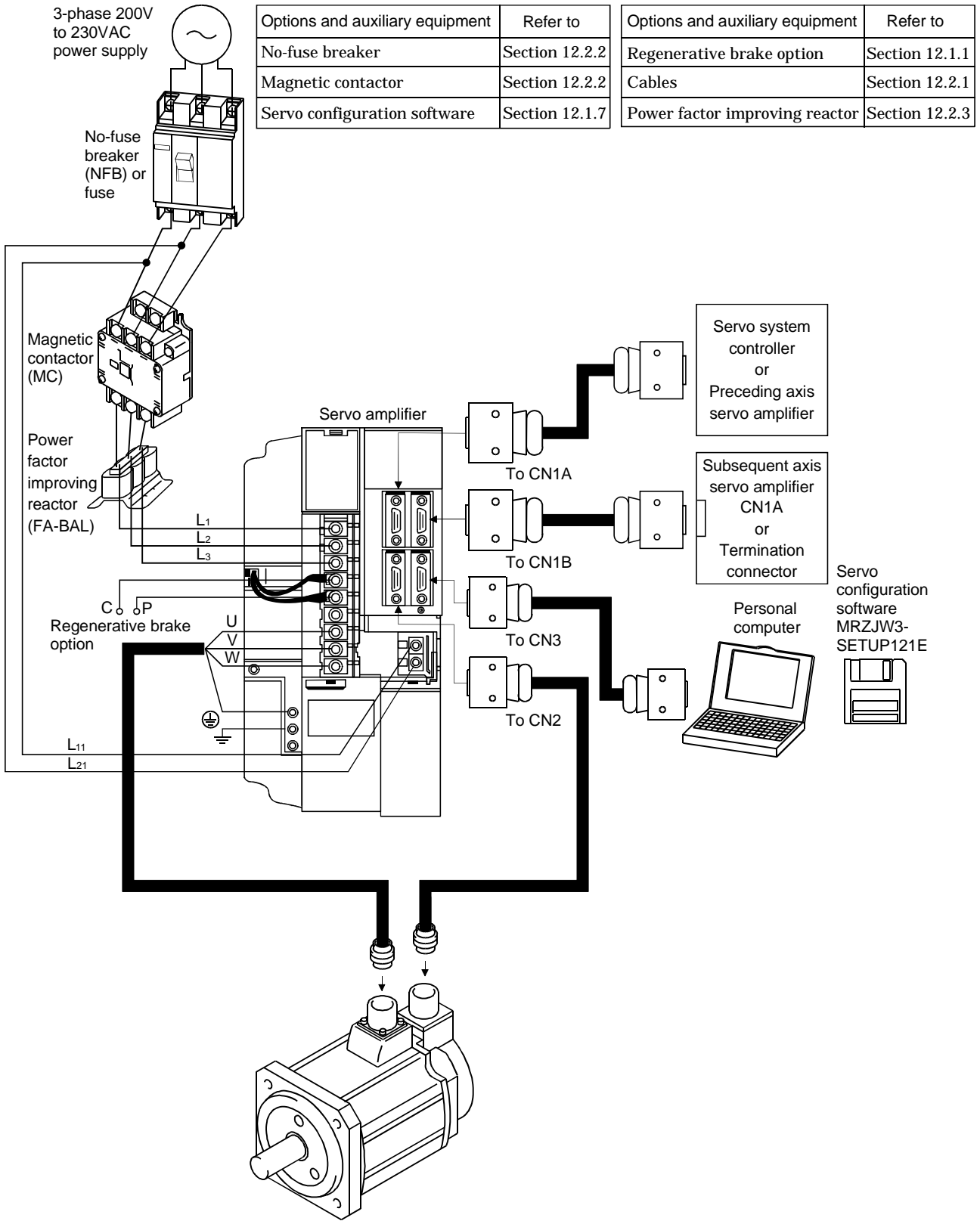
1. FUNCTIONS AND CONFIGURATION

(2) MR-J2S-200B • MR-J2S-350B



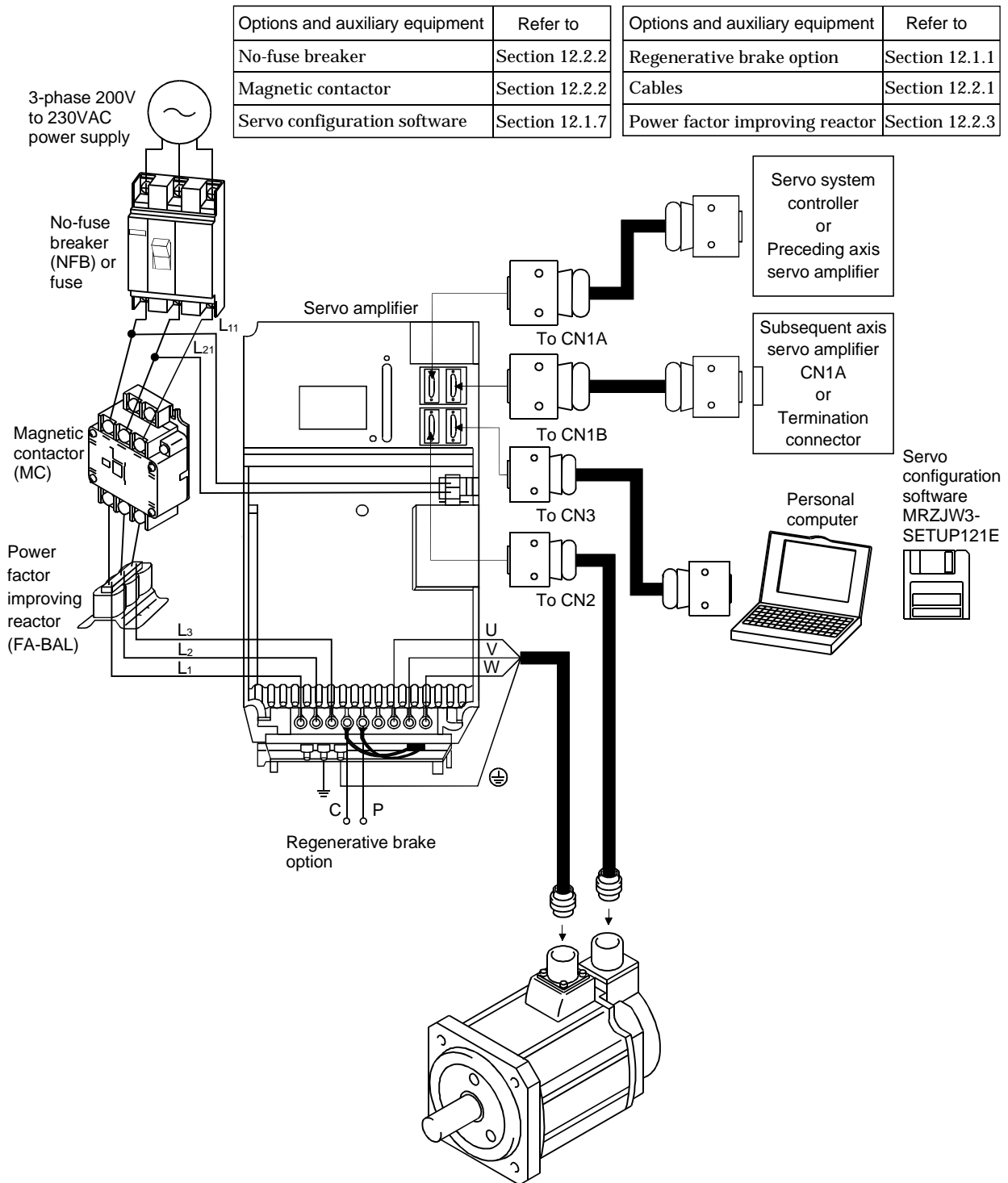
1. FUNCTIONS AND CONFIGURATION

(3) MR-J2S-500B



1. FUNCTIONS AND CONFIGURATION

(4) MR-J2S-700B



2. INSTALLATION

2. INSTALLATION



CAUTION

- Stacking in excess of the limited number of products is not allowed.
- Install the equipment to incombustibles. Installing them directly or close to combustibles will led to a fire.
- Install the equipment in a load-bearing place in accordance with this Instruction Manual.
- Do not get on or put heavy load on the equipment to prevent injury.
- Use the equipment within the specified environmental condition range.
- Provide an adequate protection to prevent screws, metallic detritus and other conductive matter or oil and other combustible matter from entering the servo amplifier.
- Do not block the intake/exhaust ports of the servo amplifier. Otherwise, a fault may occur.
- Do not subject the servo amplifier to drop impact or shock loads as they are precision equipment.
- Do not install or operate a faulty servo amplifier.
- When the product has been stored for an extended period of time, consult Mitsubishi.

2.1 Environmental conditions

Environment		Conditions	
Ambient temperature	Operation	[°C]	0 to +55 (non-freezing)
		[°F]	32 to +131 (non-freezing)
	Storage	[°C]	-20 to +65 (non-freezing)
		[°F]	-4 to +149 (non-freezing)
Ambient humidity	Operation	90%RH or less (non-condensing)	
	Storage		
Ambience		Indoors (no direct sunlight) Free from corrosive gas, flammable gas, oil mist, dust and dirt	
Altitude		Max. 1000m (3280 ft) above sea level	
Vibration	[m/s ²]	5.9 [m/s ²] or less	
	[ft/s ²]	19.4 [ft/s ²] or less	

2. INSTALLATION

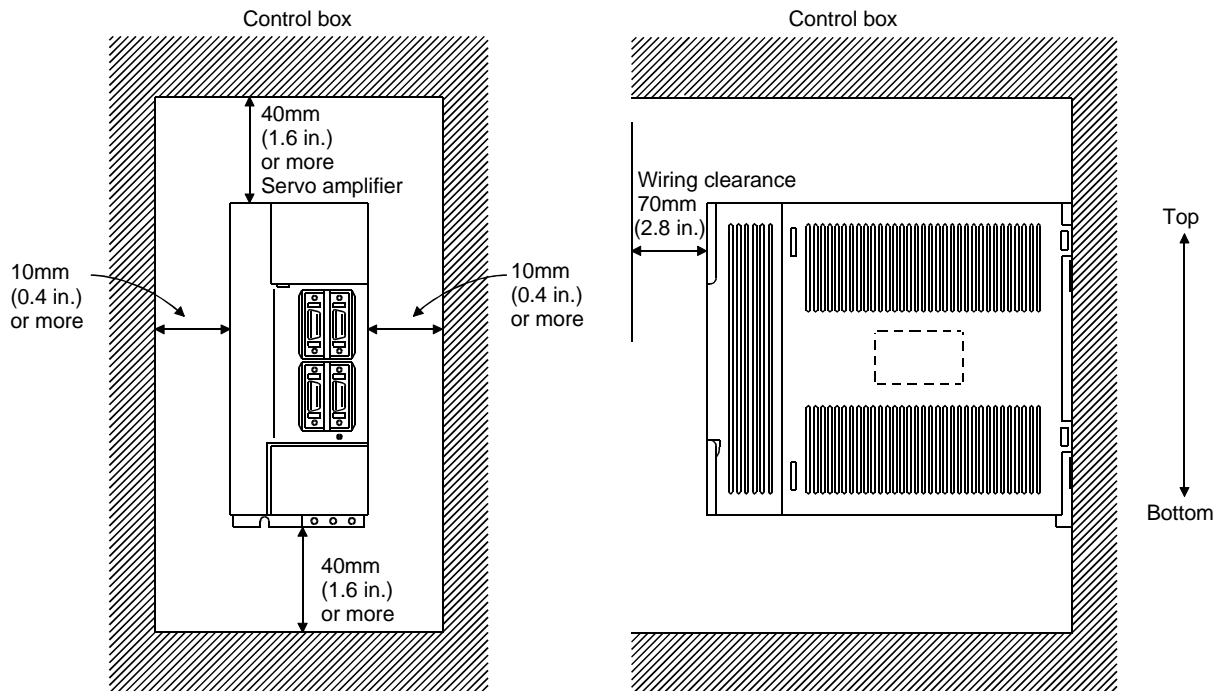
2.2 Installation direction and clearances



CAUTION

- The equipment must be installed in the specified direction. Otherwise, a fault may occur.
- Leave specified clearances between the servo amplifier and control box inside walls or other equipment.

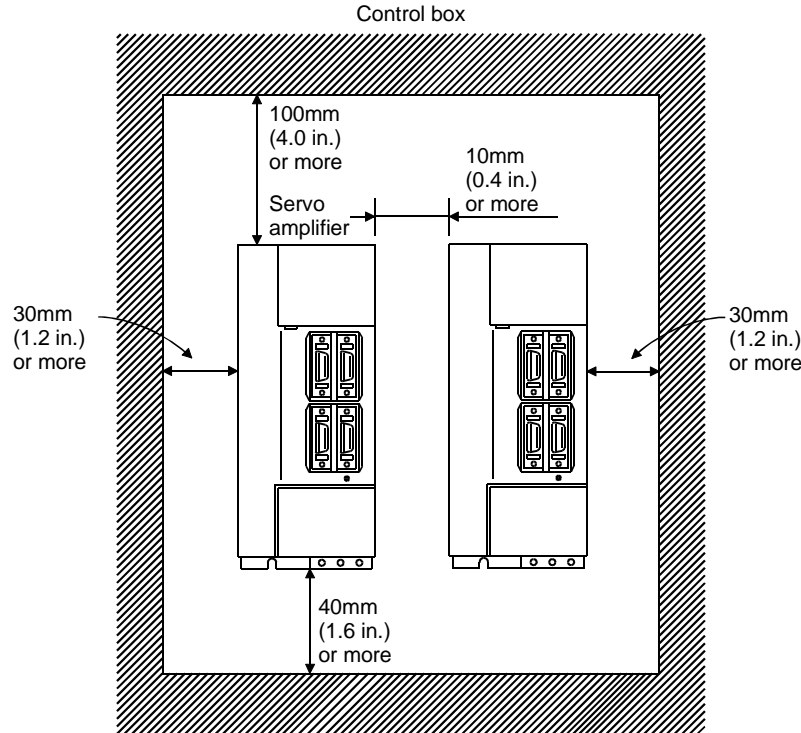
(1) Installation of one servo amplifier



2. INSTALLATION

(2) Installation of two or more servo amplifiers

Leave a large clearance between the top of the servo amplifier and the internal surface of the control box, and install a fan to prevent the internal temperature of the control box from exceeding the environmental conditions.



(3) Others

When using heat generating equipment such as the regenerative brake option, install them with full consideration of heat generation so that the servo amplifier is not affected.

Install the servo amplifier on a perpendicular wall in the correct vertical direction.

2.3 Keep out foreign materials

- (1) When installing the unit in a control box, prevent drill chips and wire fragments from entering the servo amplifier.
- (2) Prevent oil, water, metallic dust, etc. from entering the servo amplifier through openings in the control box or a fan installed on the ceiling.
- (3) When installing the control box in a place where there are much toxic gas, dirt and dust, conduct an air purge (force clean air into the control box from outside to make the internal pressure higher than the external pressure) to prevent such materials from entering the control box.

2. INSTALLATION

2.4 Cable stress

- (1) The way of clamping the cable must be fully examined so that flexing stress and cable's own weight stress are not applied to the cable connection.
- (2) In any application where the servo motor moves, the cables should be free from excessive stress. For use in any application where the servo motor moves run the cables so that their flexing portions fall within the optional encoder cable range. Fix the encoder cable and power cable of the servo motor.
- (3) Avoid any probability that the cable sheath might be cut by sharp chips, rubbed by a machine corner or stamped by workers or vehicles.
- (4) For installation on a machine where the servo motor will move, the flexing radius should be made as large as possible. Refer to section 11.4 for the flexing life.

3. SIGNALS AND WIRING

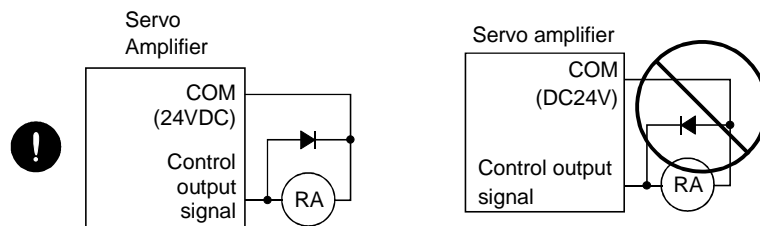
3. SIGNALS AND WIRING

WARNING

- Any person who is involved in wiring should be fully competent to do the work.
- Before starting wiring, make sure that the voltage is safe in the tester more than 10 minutes after power-off. Otherwise, you may get an electric shock.
- Ground the servo amplifier and the servo motor securely.
- Do not attempt to wire the servo amplifier and servo motor until they have been installed. Otherwise, you may get an electric shock.
- The cables should not be damaged, stressed excessively, loaded heavily, or pinched. Otherwise, you may get an electric shock.

CAUTION

- Wire the equipment correctly and securely. Otherwise, the servo motor may misoperate, resulting in injury.
- Connect cables to correct terminals to prevent a burst, fault, etc.
- Ensure that polarity (+, -) is correct. Otherwise, a burst, damage, etc. may occur.
- The surge absorbing diode installed to the DC relay designed for control output should be fitted in the specified direction. Otherwise, the signal is not output due to a fault, disabling the forced stop and other protective circuits.



- Use a noise filter, etc. to minimize the influence of electromagnetic interference, which may be given to electronic equipment used near the servo amplifier.
- Do not install a power capacitor, surge suppressor or radio noise filter (FR-BIF option) with the power line of the servo motor.
- When using the regenerative brake resistor, switch power off with the alarm signal. Otherwise, a transistor fault or the like may overheat the regenerative brake resistor, causing a fire.
- Do not modify the equipment.

POINT

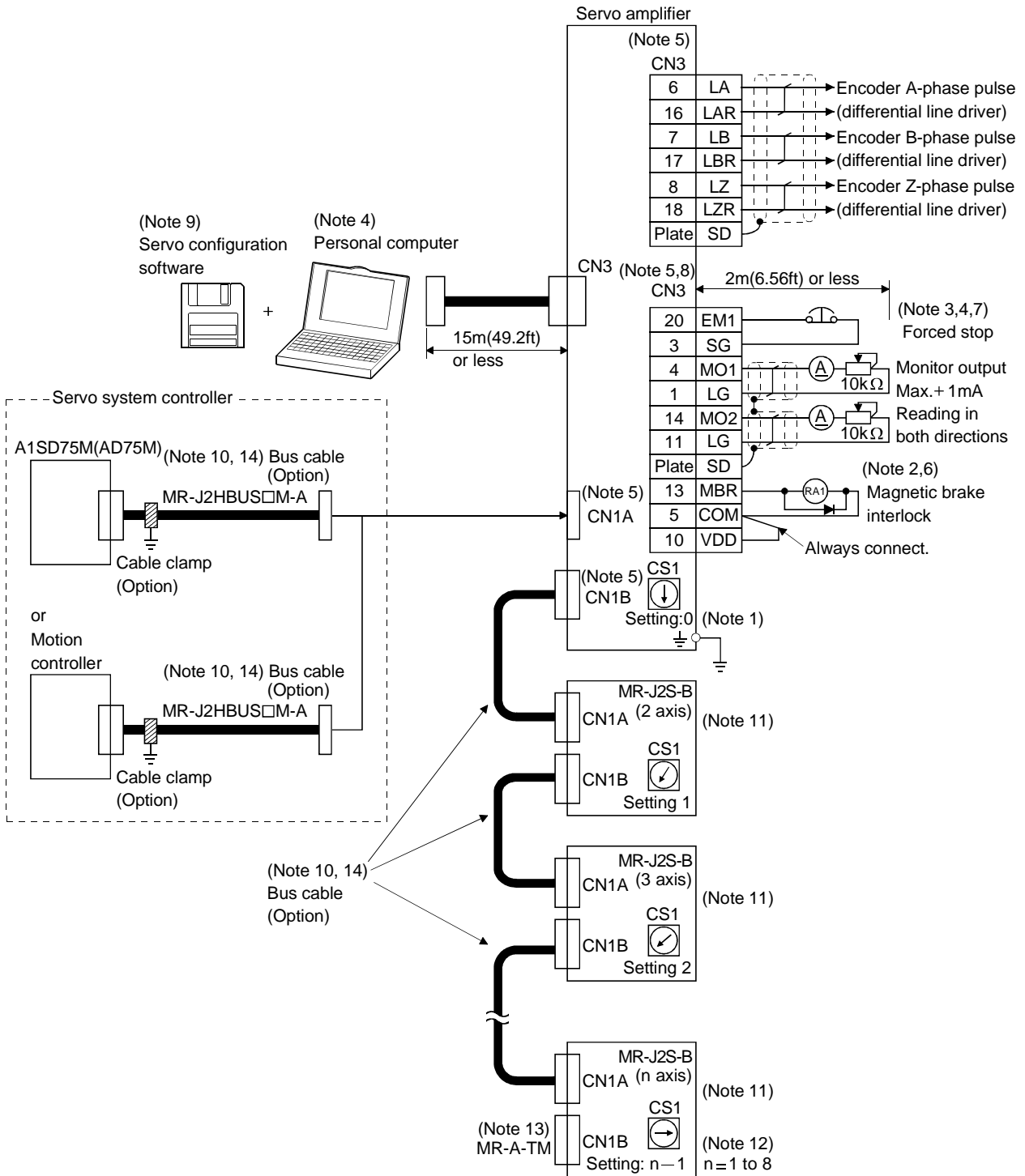
- CN1A, CN1B, CN2 and CN3 have the same shape. Wrong connection of the connectors will lead to a failure. Connect them correctly.

3. SIGNALS AND WIRING

3.1 Connection example of control signal system

POINT

- Refer to Section 3.5 for the connection of the power supply system and to Section 3.6 for connection with the servo motor.



3. SIGNALS AND WIRING

- Note 1. To prevent an electric shock, always connect the protective earth (PE) terminal (terminal marked ⊕) of the servo amplifier to the protective earth (PE) of the control box.
2. Connect the diode in the correct direction. If it is connected reversely, the servo amplifier will be faulty and will not output signals, disabling the forced stop and other protective circuits.
 3. If the controller does not have an emergency stop function, always install a forced stop switch (Normally closed).
 4. When a personal computer is connected for use of the test operation mode, always use the maintenance junction card (MR-J2CN3TM) to enable the use of the forced stop (EM1). (Refer to section 12.1.5)
 5. CN1A, CN1B, CN2 and CN3 have the same shape. Wrong connection of the connectors will lead to a fault.
 6. The sum of currents that flow in the external relays should be 80mA max.
 7. When starting operation, always connect the forced stop signal (EM1) and SG. (Normally closed contacts) By setting "0001" in parameter No.23, the forced stop signal can be made invalid.
 8. When connecting the personal computer together with monitor outputs 1, 2, use the maintenance junction card (MR-J2CN3TM). (Refer to Section 12.1.3.)
 9. Use MRZJW3-SETUP121E.
 10. Use the bus cable at the overall distance of 30m(98.4ft) or less. In addition, to improve noise immunity, it is recommended to use a cable clamp and data line filters (three or four filters connected in series) near the connector outlet.
 11. The wiring of the second and subsequent axes is omitted.
 12. Up to eight axes (n = 1 to 8) may be connected. The MR-J2S- □ B/MR-J2-03B5/MR □ H-BN servo amplifier may be connected on the same bus.
 13. Always insert the termination connector (MR-A-TM) into CN1B of the servo amplifier located at the termination.
 14. The bus cable used with the SSCNET depends on the preceding or subsequent controller or servo amplifier connected. Refer to the following table and choose the bus cable.

	MR-J2S-□B	MR-J2-03B5	MR-H□BN
A1SD75M(AD75M)	MR-J2HBUS□M-A		MR-HBUS□M
Motion controller	MR-J2HBUS□M-A		MR-HBUS□M
MR-J2S-□B · MR-J2-□B · MR-J2-03B5	MR-J2HBUS□M		MR-J2HBUS□M-A
MR-H□BN · MR-J□B	MR-J2HBUS□M-A		MR-HBUS□M

3. SIGNALS AND WIRING

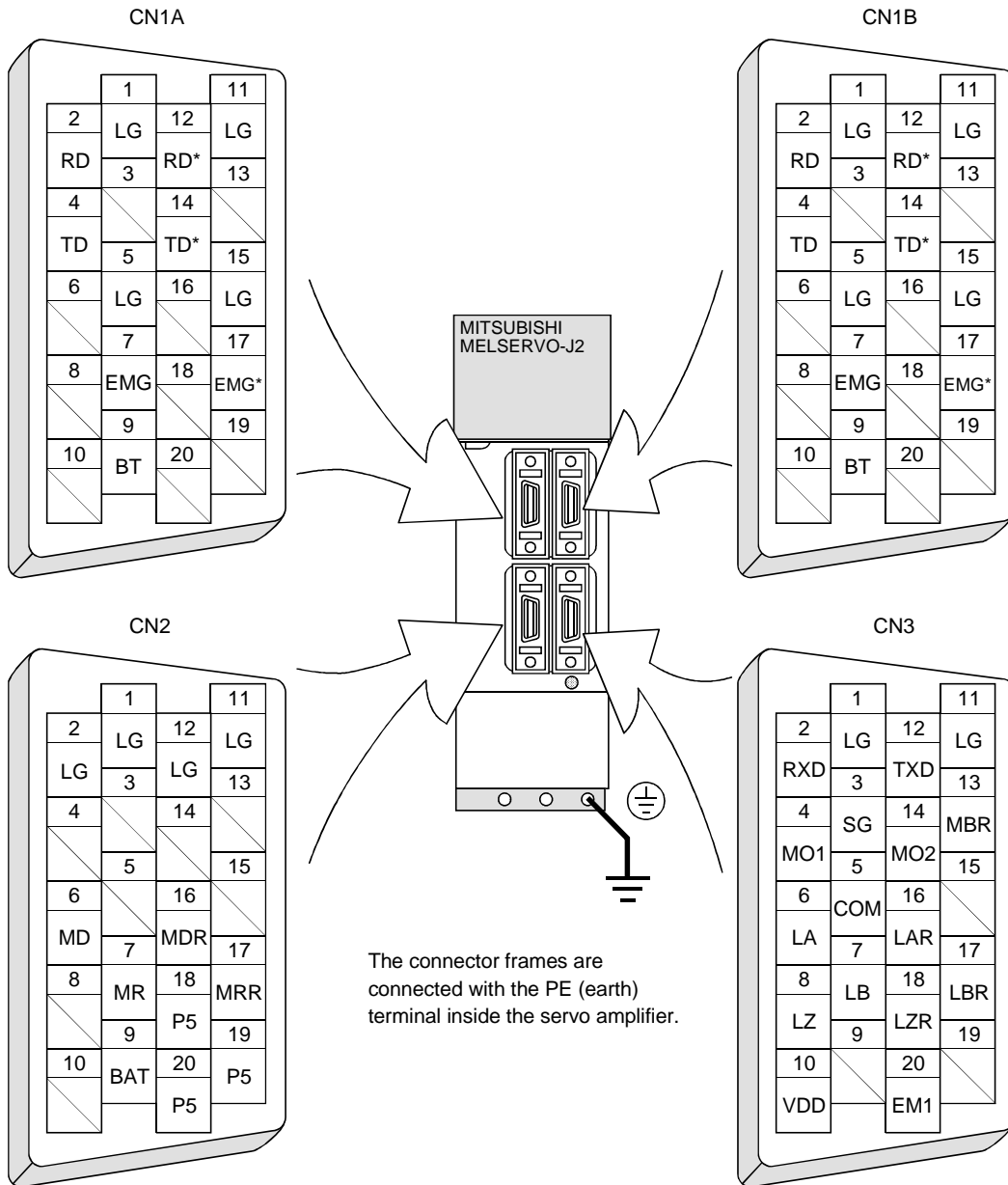
3.2 I/O signals

3.2.1 Connectors and signal arrangements

POINT

- The connector pin-outs shown above are viewed from the cable connector wiring section side.

(1) Signal arrangement



3. SIGNALS AND WIRING

3.2.2 Signal explanations

For the I/O interfaces (symbols in I/O column in the table), refer to Section 3.4.2.

(1) Connector applications

Connector	Name	Function/Application
CN1A	Connector for bus cable from preceding axis.	Used for connection with the controller or preceding-axis servo amplifier.
CN1B	Connector for bus cable to next axis	Used for connection with the next-axis servo amplifier or for connection of the termination connector.
CN2	Encoder connector	Used for connection with the servo motor encoder.
CN3	Communication connector (I/O signal connector)	Used for connection with the personal computer. Serves as an I/O signal connector when the personal computer is not used.

(2) I/O signals

(a) Input signal

Signal	Symbol	Connector Pin No.	Function/Application	I/O Division
Forced stop	EM1	CN3 20	Disconnect EM1-SG to bring the servo motor to a forced stop state, in which the servo is switched off and the dynamic brake is operated. In the forced stop state, connect EM1-SG to reset that state.	DI-1

(b) Output signals


Signal	Symbol	Connector Pin No.	Function/Application	I/O Division
Electromagnetic brake interlock	MBR	CN3 13	In the servo-off or alarm status, MBR-SG are disconnected. When an alarm occurs, they are disconnected, independently of the base circuit status.	DO-1
Encoder A-phase pulse (Differential line driver)	LA LAR	CN3 6 CN3 16	Outputs pulses per servo motor revolution set in parameter No.38 in the differential line driver system. In CCW rotation of the servo motor, the encoder B-phase pulse lags the encoder A-phase pulse by a phase angle of $\pi/2$.	DO-2
Encoder B-phase pulse (Differential line driver)	LB LBR	CN3 7 CN3 17		
Encoder Z-phase pulse (Differential line driver)	LZ LZR	CN3 8 CN3 18	The zero-phase signal of the encoder is output in the differential line driver system.	DO-2
Analog monitor 1	MO1	CN3 4	Used to output the data set in parameter No.22 to across MO1-LG in terms of voltage. Resolution 10 bits	Analog output
Analog monitor 2	MO2	CN3 14	Used to output the data set in parameter No.22 to across MO2-LG in terms of voltage. Resolution 10 bits	Analog output

(c) Power supply

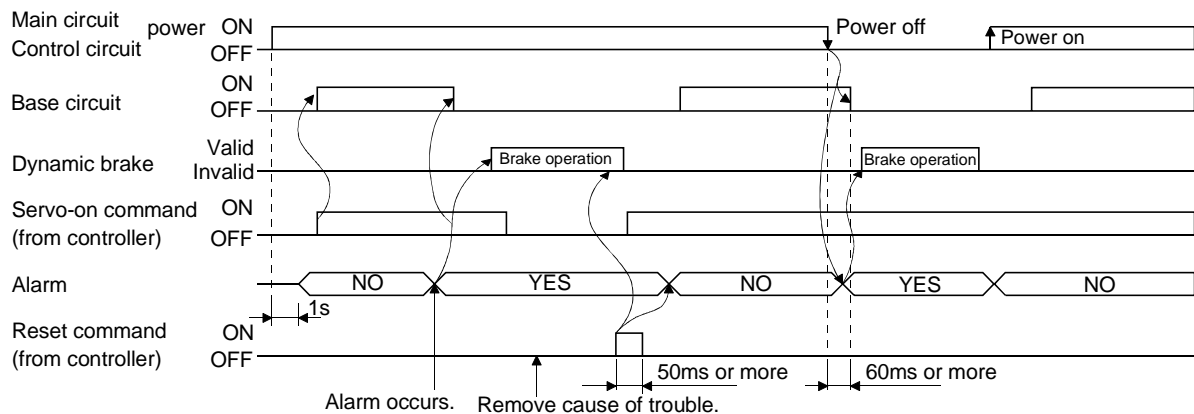
Signal	Symbol	Connector Pin No.	Function/Application
Internal power output for interface	VDD	CN3 10	Driver power output terminal for digital interface. Used to output +24V \pm 10% to across VDD-COM. Connect with COM. Permissible current: 80mA
Power input for digital interface	COM	CN3 5	Driver power input terminal for digital interface. Used to input 24VDC (200mA or more) for input interface. Connect with VDD.
Common for digital interface	SG	CN3 3	Common terminal to VDD and COM. Pins are connected internally. Separated from LG.
Control common	LG	CN3 1 11	Common terminal to MO1 and MO2.
Shield	SD	Plate	Connect the external conductor of the shield cable.

3. SIGNALS AND WIRING

3.3 Alarm occurrence timing chart

 CAUTION	When an alarm has occurred, remove its cause, make sure that the operation signal is not being input, ensure safety, and reset the alarm before restarting operation.
--	---

When an alarm occurs in the servo amplifier, the base circuit is shut off and the servo motor is coasted to a stop. Switch off the main circuit power supply in the external sequence. To deactivate the alarm, power the control circuit off, then on or give the error reset or CPU reset command from the servo system controller. However, the alarm cannot be deactivated unless its cause is removed.



(1) Overcurrent, overload 1 or overload 2

If operation is repeated by switching control circuit power off, then on to reset the overcurrent (32), overload 1 (50) or overload 2 (51) alarm after its occurrence, without removing its cause, the servo amplifier and servo motor may become faulty due to temperature rise. Securely remove the cause of the alarm and also allow about 30 minutes for cooling before resuming operation.

(2) Regenerative alarm

If operation is repeated by switching control circuit power off, then on to reset the regenerative (30) alarm after its occurrence, the external regenerative brake resistor will generate heat, resulting in an accident.

(3) Instantaneous power failure

Undervoltage (10) occurs if power is restored after a 60ms or longer power failure of the control circuit power supply or after a drop of the bus voltage to or below 200VDC. If the power failure persists further, the control circuit power switches off. When the power failure is reset in this state, the alarm is reset and the servo amplifier returns to the initial state.

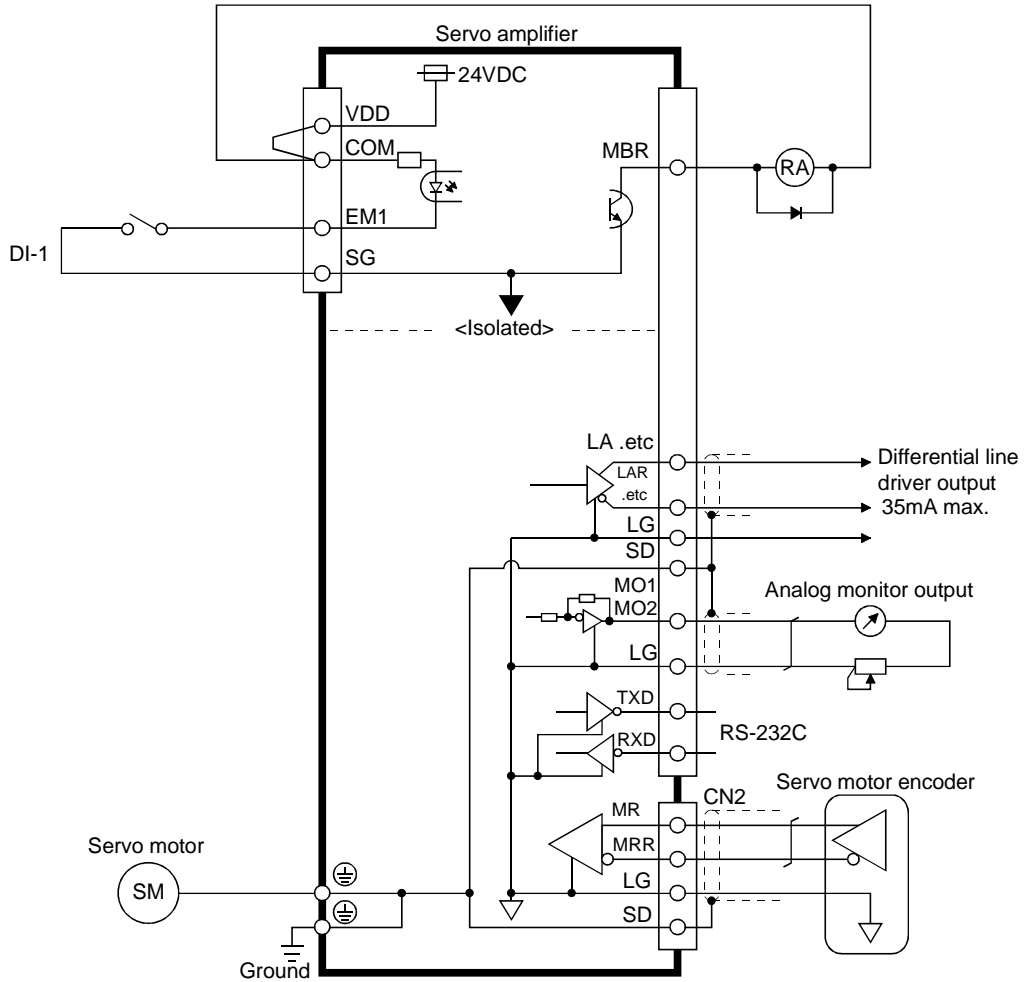
3. SIGNALS AND WIRING

3.4 Interfaces

3.4.1 Common line

The following diagram shows the power supply and its common line.

To conform to the EMC directive, refer to the EMC Installation Guide lines (IB(NA)67310).



3. SIGNALS AND WIRING

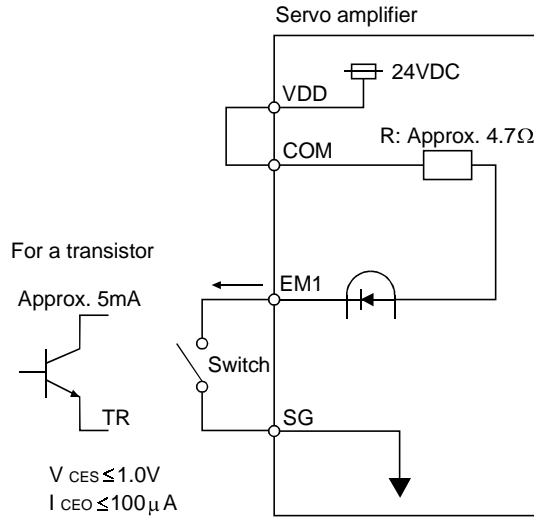
3.4.2 Detailed description of the interfaces

This section gives the details of the I/O signal interfaces (refer to I/O Division in the table) indicated in Sections 3.2.2.

Refer to this section and connect the interfaces with the external equipment.

(1) Digital input interface DI-1

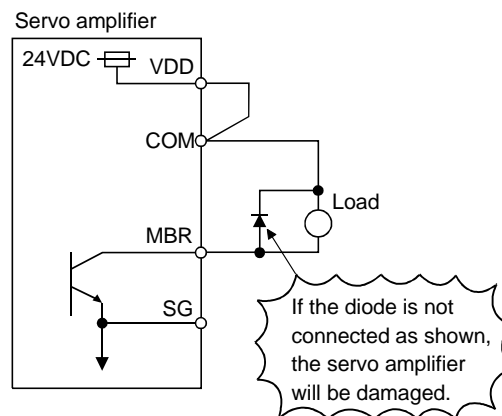
Give a signal with a relay or open collector transistor.



(2) Digital output interface DO-1

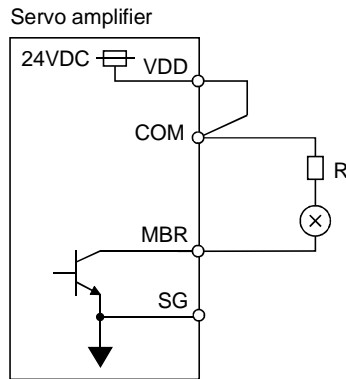
A lamp, relay or photocoupler can be driven. Provide a diode (D) for an inductive load, or an inrush current suppressing resistor (R) for a lamp load. (Permissible current: 40mA or less, inrush current: 100mA or less)

(a) Inductive load



3. SIGNALS AND WIRING

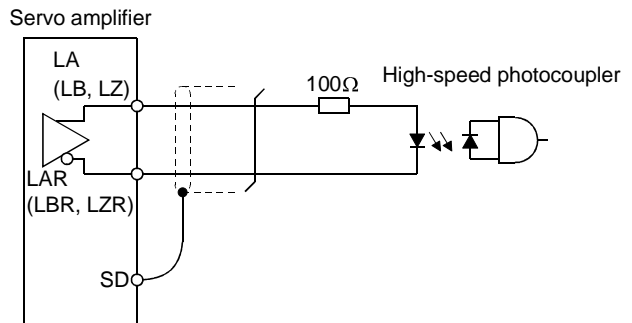
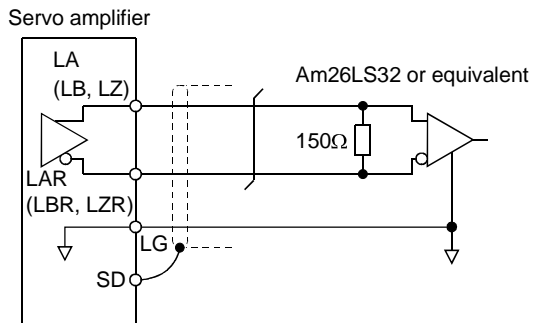
(b) Lamp load



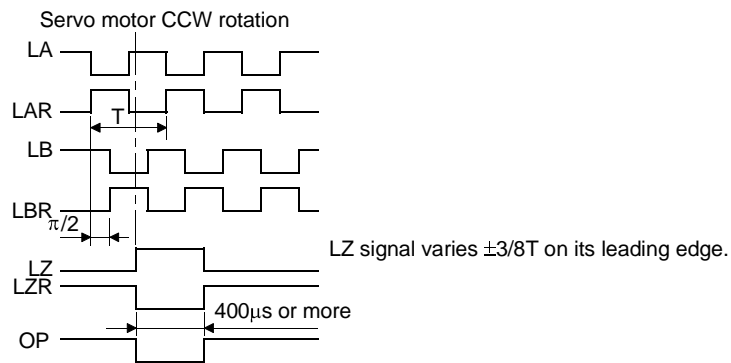
(3) Encoder pulse output DO-2 (Differential line driver system)

1) Interface

Max. output current: 35mA



2) Output pulse



3. SIGNALS AND WIRING

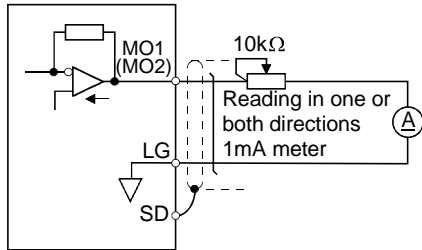
(4) Analog output

Output voltage : $\pm 10V$

Max. output current : 1mA

Resolution : 10bit

Servo amplifier



3. SIGNALS AND WIRING

3.5 Power line circuit

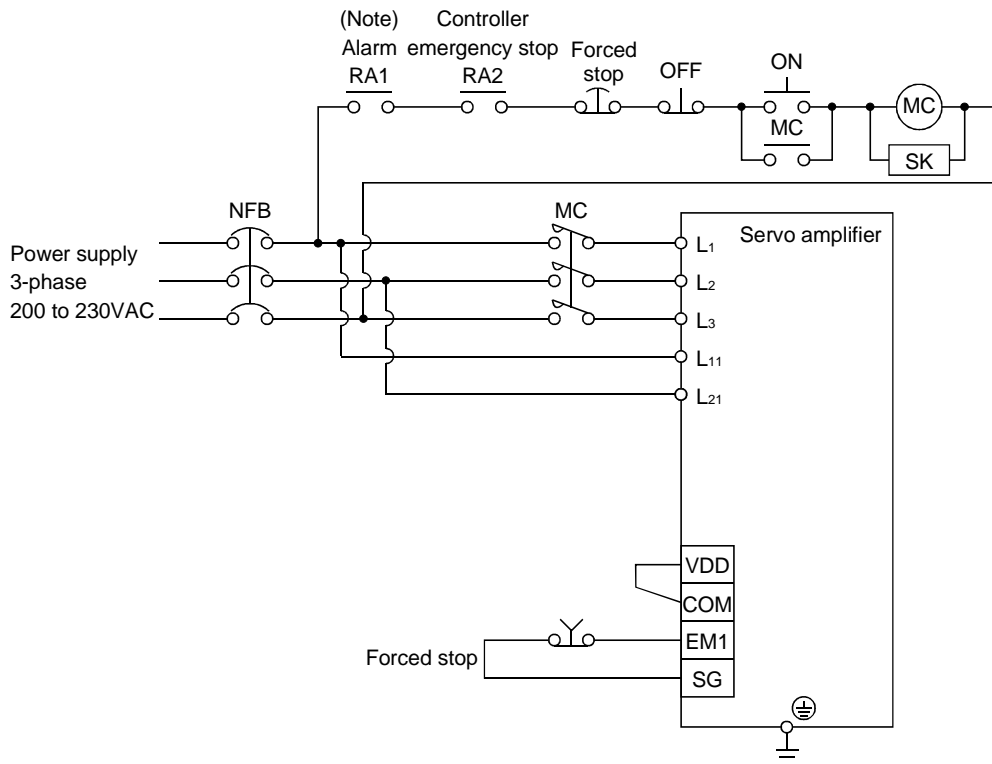


- When the servo amplifier has become faulty, switch power off on the amplifier power side. Continuous flow of a large current may cause a fire.
- Use the trouble signal to switch power off. Otherwise, a regenerative brake transistor fault or the like may overheat the regenerative brake resistor, causing a fire.

3.5.1 Connection example

Wire the power supply/main circuit as shown below so that power is shut off and the servo-on signal turned off as soon as an alarm occurs, a servo forced stop is made valid, or a controller emergency stop is made valid. A no-fuse breaker (NFB) must be used with the input cables of the power supply.

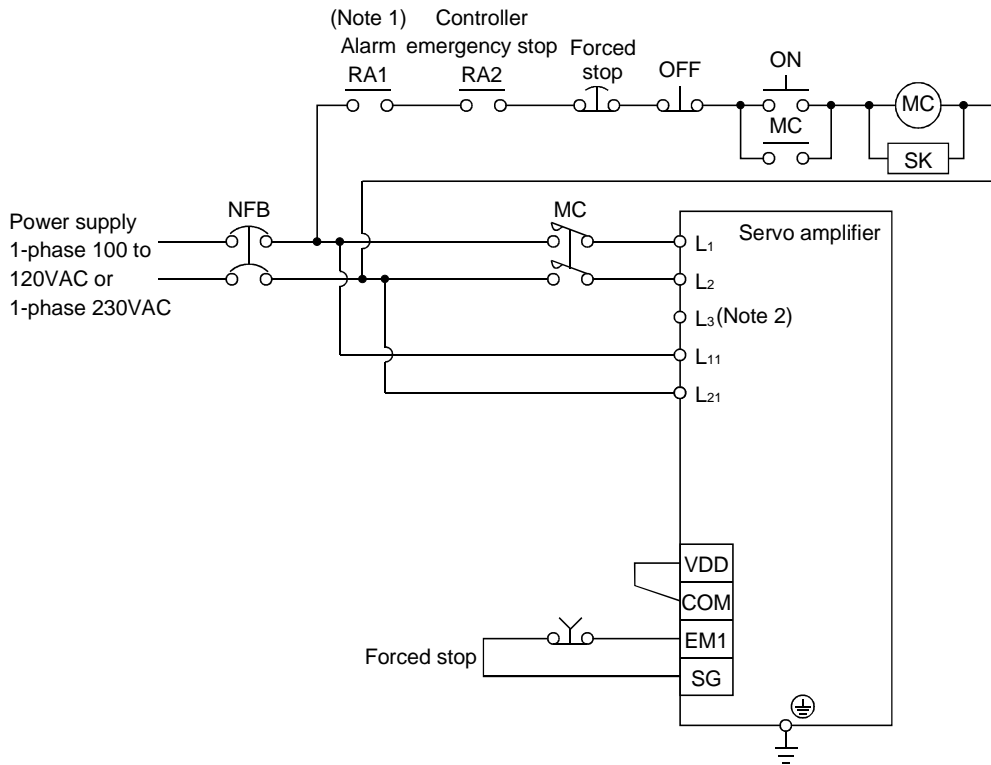
(1) For 3-phase 200 to 230VAC power supply



Note: Configure up the power supply circuit which switches off the magnetic contactor after detection of alarm occurrence on the controller side.

3. SIGNALS AND WIRING

(2) For 1-phase 100 to 120VAC or 1-phase 230VAC power supply

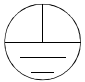


- Note: 1. Configure up the power supply circuit which switches off the magnetic contactor after detection of alarm occurrence on the controller side.
2. Not provided for 1-phase 100 to 120VAC.

3. SIGNALS AND WIRING

3.5.2 Terminals

The positions and signal arrangements of the terminal blocks change with the capacity of the servo amplifier. Refer to Section 10.1.

Symbol	Signal	Description																				
L ₁ , L ₂ , L ₃	Main circuit power supply	<p>Supply L₁, L₂ and L₃ with the following power: For 1-phase 230VAC, connect the power supply to L₁/L₂ and leave L₃ open.</p> <table border="1"> <tr> <td>Servo amplifier</td> <td>MR-J2S-10B to 70B</td> <td>MR-J2S-100B to 700B</td> <td>MR-J2S-10B1 to 40B1</td> </tr> <tr> <td>Power supply</td> <td></td> <td></td> <td></td> </tr> <tr> <td>3-phase 200 to 230VAC, 50/60Hz</td> <td colspan="2">L₁ • L₂ • L₃</td> <td></td> </tr> <tr> <td>1-phase 230VAC, 50/60Hz</td> <td>L₁ • L₂</td> <td></td> <td></td> </tr> <tr> <td>1-phase 100 to 120VAC, 50/60Hz</td> <td></td> <td></td> <td>L₁ • L₂</td> </tr> </table>	Servo amplifier	MR-J2S-10B to 70B	MR-J2S-100B to 700B	MR-J2S-10B1 to 40B1	Power supply				3-phase 200 to 230VAC, 50/60Hz	L ₁ • L ₂ • L ₃			1-phase 230VAC, 50/60Hz	L ₁ • L ₂			1-phase 100 to 120VAC, 50/60Hz			L ₁ • L ₂
Servo amplifier	MR-J2S-10B to 70B	MR-J2S-100B to 700B	MR-J2S-10B1 to 40B1																			
Power supply																						
3-phase 200 to 230VAC, 50/60Hz	L ₁ • L ₂ • L ₃																					
1-phase 230VAC, 50/60Hz	L ₁ • L ₂																					
1-phase 100 to 120VAC, 50/60Hz			L ₁ • L ₂																			
U, V, W	Servo motor output	Connect to the servo motor power supply terminals (U, V, W).																				
L ₁₁ , L ₂₁	Control circuit power supply	<table border="1"> <tr> <td>Servo amplifier</td> <td>MR-J2S-10B to 700B</td> <td>MR-J2S-10B1 to 40B1</td> </tr> <tr> <td>Power supply</td> <td></td> <td></td> </tr> <tr> <td>1-phase 200 to 230VAC, 50/60Hz</td> <td>L₁₁ • L₂₁</td> <td></td> </tr> <tr> <td>1-phase 100 to 120VAC, 50/60Hz</td> <td></td> <td>L₁₁ • L₂₁</td> </tr> </table>	Servo amplifier	MR-J2S-10B to 700B	MR-J2S-10B1 to 40B1	Power supply			1-phase 200 to 230VAC, 50/60Hz	L ₁₁ • L ₂₁		1-phase 100 to 120VAC, 50/60Hz		L ₁₁ • L ₂₁								
Servo amplifier	MR-J2S-10B to 700B	MR-J2S-10B1 to 40B1																				
Power supply																						
1-phase 200 to 230VAC, 50/60Hz	L ₁₁ • L ₂₁																					
1-phase 100 to 120VAC, 50/60Hz		L ₁₁ • L ₂₁																				
P, C, D	Regenerative brake option	<p>1) MR-J2S-350B or less Wiring is factory-connected across P-D (servo amplifier built-in regenerative brake resistor). When using the regenerative brake option, always remove the wiring from across P-D and connect the regenerative brake option across P-C.</p> <p>2) MR-J2S-500B or more Wiring is factory-connected across P-C (servo amplifier built-in regenerative brake resistor). When using the regenerative brake option, always remove the wiring from across P-C and connect the regenerative brake option across P-C. Refer to Section 12.1.1 for details.</p>																				
N	Return converter Brake unit	When using the return converter or brake unit, connect it across P-N. Do not connect it to the servo amplifier of MR-J2S-350B or less. Refer to Sections 12.1.2 and 12.1.3 for details.																				
	Protective earth (PE)	Connect this terminal to the protective earth (PE) terminals of the servo motor and control box for grounding.																				

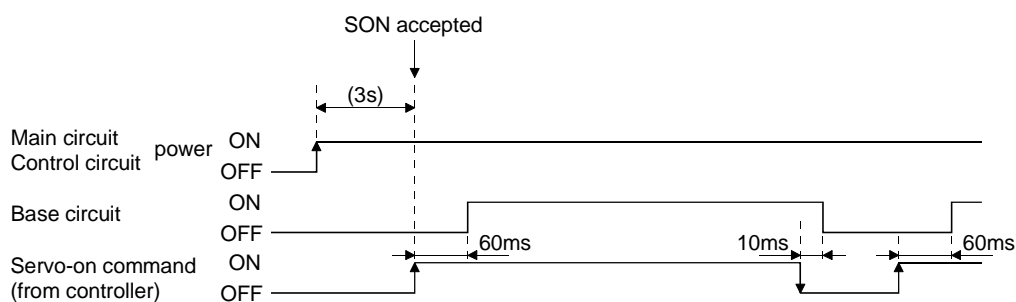
3. SIGNALS AND WIRING

3.5.3 Power-on sequence

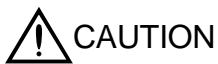
(1) Power-on procedure

- 1) Always wire the power supply as shown in above Section 3.5.1 using the magnetic contactor with the main circuit power supply (3-phase 200V: L1, L2, L3, 1-phase 230V: L1, L2). Configure up an external sequence to switch off the magnetic contactor as soon as an alarm occurs.
- 2) Switch on the control circuit power supply L11, L21 simultaneously with the main circuit power supply or before switching on the main circuit power supply. If the main circuit power supply is not on, the display shows the corresponding warning. However, by switching on the main circuit power supply, the warning disappears and the servo amplifier will operate properly.
- 3) The servo amplifier can accept the servo-on command within 3s the main circuit power supply is switched on. (Refer to paragraph (2) in this section.)

(2) Timing chart



(3) Forced stop

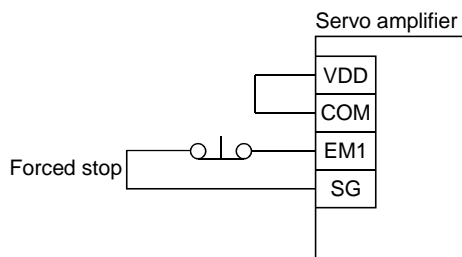


CAUTION

▪ Install an emergency stop circuit externally to ensure that operation can be stopped and power shut off immediately.

If the controller does not have an emergency stop function, make up a circuit which shuts off main circuit power as soon as EM1-SG are opened at a forced stop. To ensure safety, always install a forced stop switch across EM1-SG. By disconnecting EM1-SG, the dynamic brake is operated to bring the servo motor to a stop. At this time, the display shows the servo forced stop warning (E6).

During ordinary operation, do not use forced stop signal to alternate stop and run. The service life of the servo amplifier may be shortened.



3. SIGNALS AND WIRING

3.6 Connection of servo amplifier and servo motor

3.6.1 Connection instructions



WARNING

- Insulate the connections of the power supply terminals to prevent an electric shock.

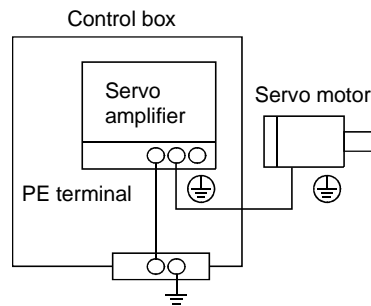


CAUTION

- Connect the wires to the correct phase terminals (U, V, W) of the servo amplifier and servo motor. Otherwise, the servo motor will operate improperly.
- Do not connect AC power supply directly to the servo motor. Otherwise, a fault may occur.

The connection method differs according to the series and capacity of the servo motor and whether or not the servo motor has the electromagnetic brake. Perform wiring in accordance with this section.

- (1) For grounding, connect the earth cable of the servo motor to the protective earth (PE) terminal of the servo amplifier and connect the ground cable of the servo amplifier to the earth via the protective earth of the control box. Do not connect them directly to the protective earth of the control panel.



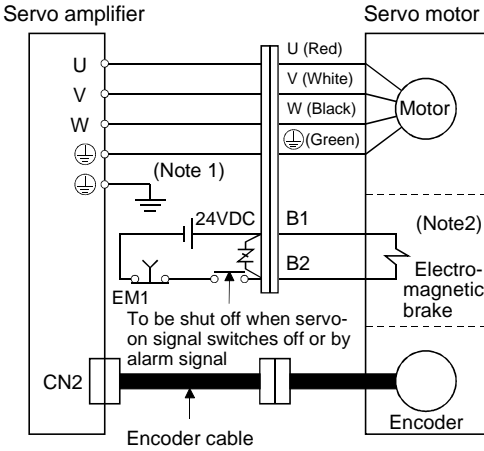
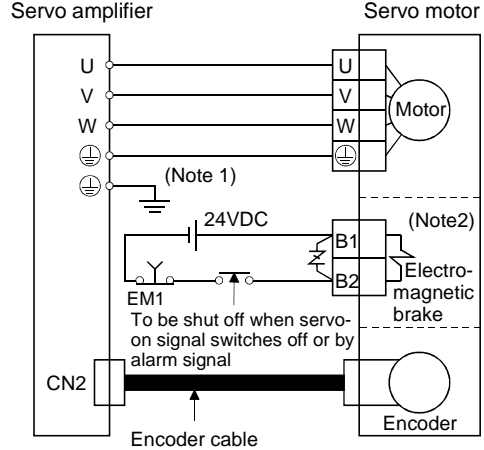
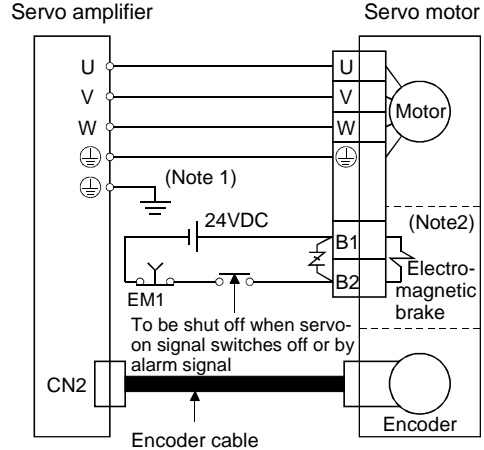
- (2) Do not share the 24VDC interface power supply between the interface and electromagnetic brake. Always use the power supply designed exclusively for the electromagnetic brake.

3.6.2 Connection diagram

The following table lists wiring methods according to the servo motor types. Use the connection diagram which conforms to the servo motor used. For cables required for wiring, refer to Section 12.2.1. For encoder cable connection, refer to Section 12.1.4. For the signal layouts of the connectors, refer to Section 3.6.3.

For the servo motor connector, refer to Chapter 3 of the Servo Motor Instruction Manual.

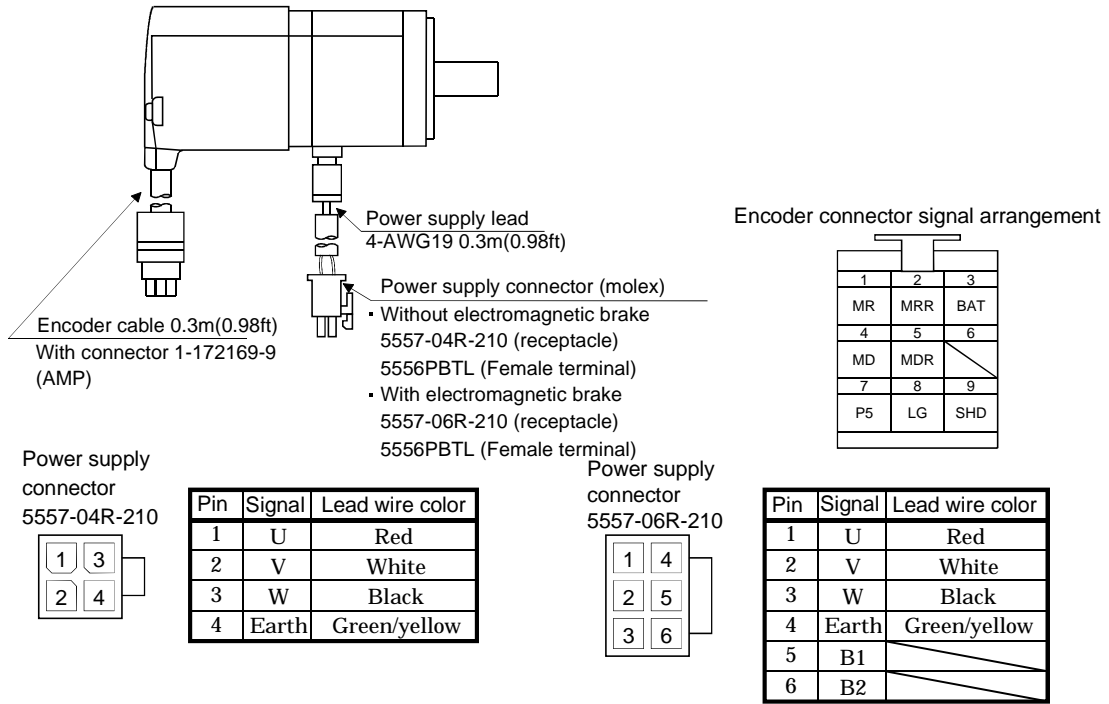
3. SIGNALS AND WIRING

Servo motor	Connection diagram
<p>HC-KFS053 (B) to 73 (B) HC-MFS053 (B) to 73 (B) HC-UFS13 (B) to 73 (B)</p>	 <p>Note:1. To prevent an electric shock, always connect the protective earth (PE) terminal of the servo amplifier to the protective earth (PE) of the control box.</p> <p>2. This circuit applies to the servo motor with electromagnetic brake.</p>
<p>HC-SFS121 (B) to 301 (B) HC-SFS202 (B) to 702 (B) HC-SFS203 (B) • 353 (B) HC-UFS202 (B) to 502 (B) HC-RFS353 (B) • 503 (B)</p>	 <p>Note:1. To prevent an electric shock, always connect the protective earth (PE) terminal of the servo amplifier to the protective earth (PE) of the control box.</p> <p>2. This circuit applies to the servo motor with electromagnetic brake.</p>
<p>HC-SFS81 (B) HC-SFS52 (B) to 152 (B) HC-SFS53 (B) to 153 (B) HC-RFS103 (B) to 203 (B) HC-UFS72 (B) • 152 (B)</p>	 <p>Note:1. To prevent an electric shock, always connect the protective earth (PE) terminal of the servo amplifier to the protective earth (PE) of the control box.</p> <p>2. This circuit applies to the servo motor with electromagnetic brake.</p>

3. SIGNALS AND WIRING

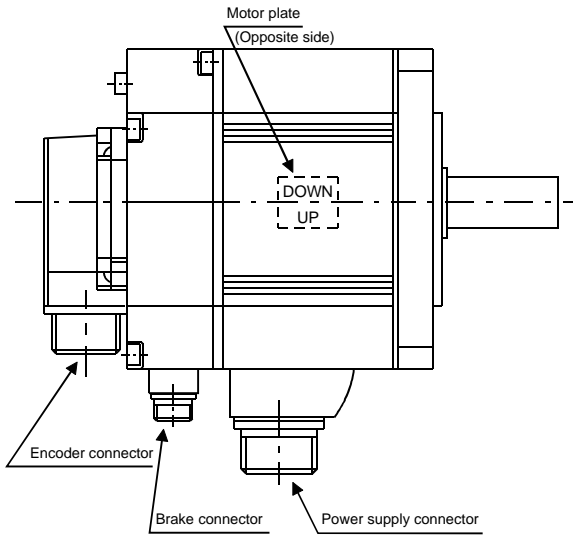
3.6.3 I/O terminals

(1) HC-KFS · HC-MFS · HC-UFS3000r/min series



3. SIGNALS AND WIRING

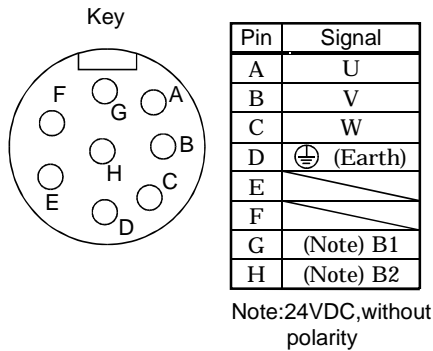
(2) HC-SFS • HC-RFS • HC-UFS2000 r/min series



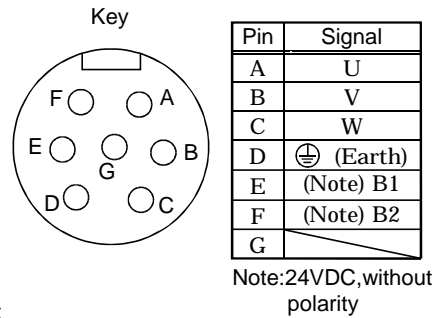
Servo motor	Servo motor side connectors		
	For power supply	For encoder	Electromagnetic brake connector
HC-SFS81(B) HC-SFS52(B) to 152(B) HC-SFS53(B) to 153(B)	CE05-2A22-23PD-B	MS3102A20-29P	The connector for power is shared.
HC-SFS121(B) to 301(B) HC-SFS202(B) to 502(B) HC-SFS203(B) • 353(B)	CE05-2A24-10PD-B		
HC-SFS702(B)	CE05-2A32-17PD-B		The connector for power is shared.
HC-RFS103(B) to 203(B)	CE05-2A22-23PD-B		
HC-RFS353(B) • 503(B)	CE05-2A24-10PD-B		
HC-UFS72(B) • 152(B)	CE05-2A22-23PD-B		MS3102A10SL-4P
HC-UFS202(B) to 502(B)	CE05-2A24-10PD-B		

Power supply connector signal arrangement

CE05-2A22-23PD-B

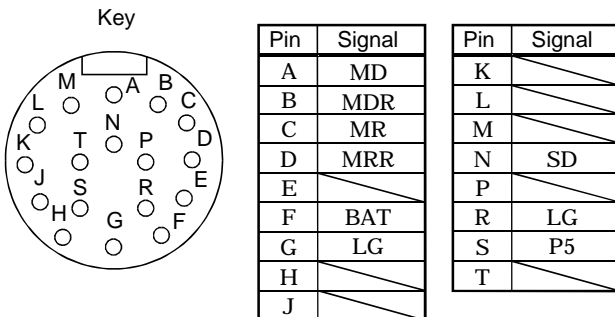


CE05-2A24-10PD-B



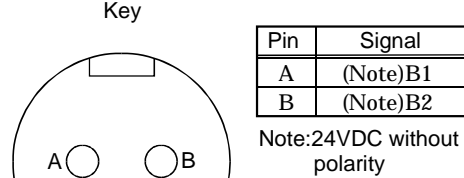
Encoder connector signal arrangement

MS3102A20-29P



Electromagnetic brake connector signal arrangement


MS3102A10SL-4P



3. SIGNALS AND WIRING

3.7 Servo motor with electromagnetic brake

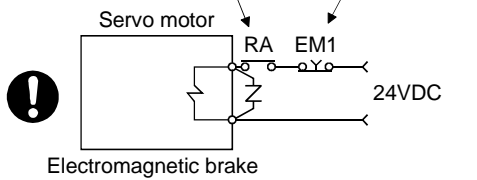
CAUTION



- Configure the electromagnetic brake operation circuit so that it is activated not only by the servo amplifier signals but also by an external forced stop signal.

Contacts must be open when servo-on signal is off or when an alarm (trouble) is present and when an electromagnetic brake signal.

Circuit must be opened during forced stop signal.



- The electromagnetic brake is provided for holding purpose and must not be used for ordinary braking.

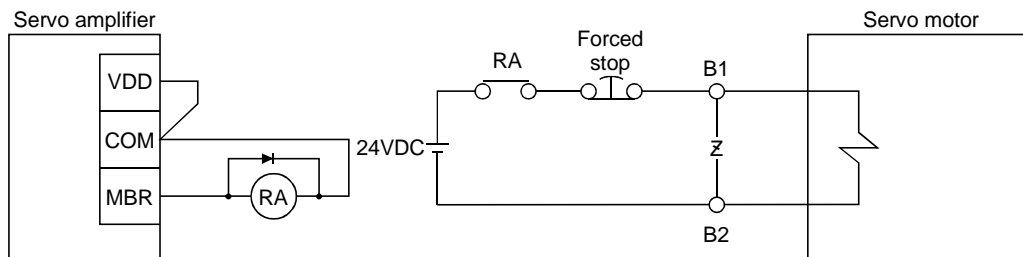
POINT

- Refer to the Servo Motor Instruction Manual for specifications such as the power supply capacity and operation delay time of the electromagnetic brake.

Note the following when the servo motor equipped with electromagnetic brake is used for applications requiring a brake to hold the motor shaft (vertical lift applications):

- 1) Do not share the 24VDC interface power supply between the interface and electromagnetic brake. Always use the power supply designed exclusively for the electromagnetic brake.
- 2) The brake will operate when the power (24VDC) switches off.
- 3) Switch off the servo-on command after the servo motor has stopped.

(1) Connection diagram



(2) Setting

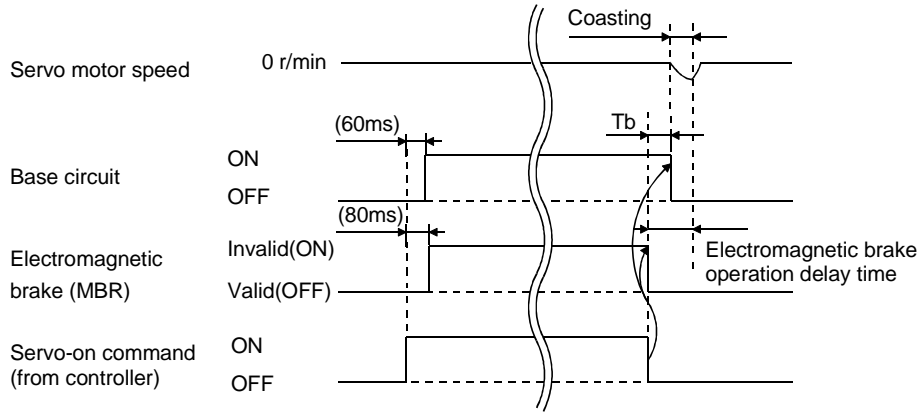
In parameter No.21 (electromagnetic brake sequence output), set the time delay (T_b) from electromagnetic brake operation to base circuit shut-off at a servo off time as in the timing chart in (3) in this section.

3. SIGNALS AND WIRING

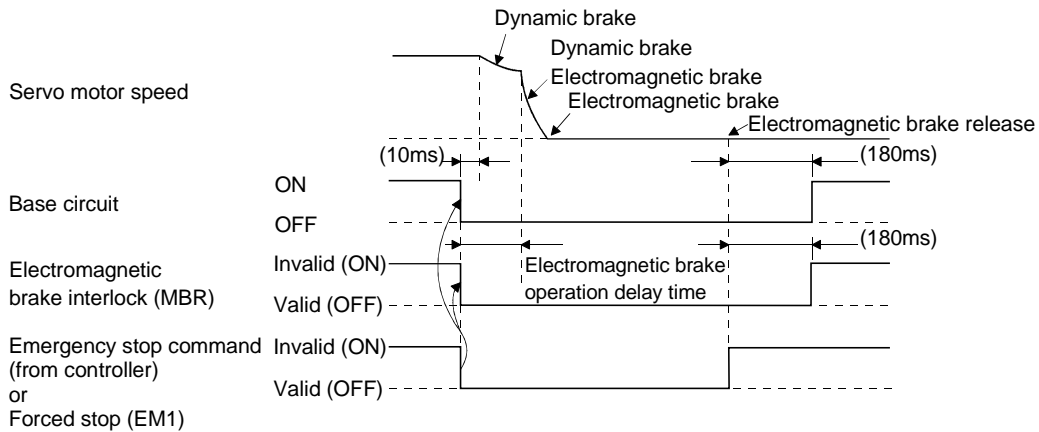
(3) Timing charts

(a) Servo-on command (from controller) ON/OFF

T_b [ms] after the servo-on is switched off, the servo lock is released and the servo motor coasts. If the electromagnetic brake is made valid in the servo lock status, the brake life may be shorter. Therefore, when using the electromagnetic brake in a vertical lift application or the like, set T_b to about the same as the electromagnetic brake operation delay time to prevent a drop.

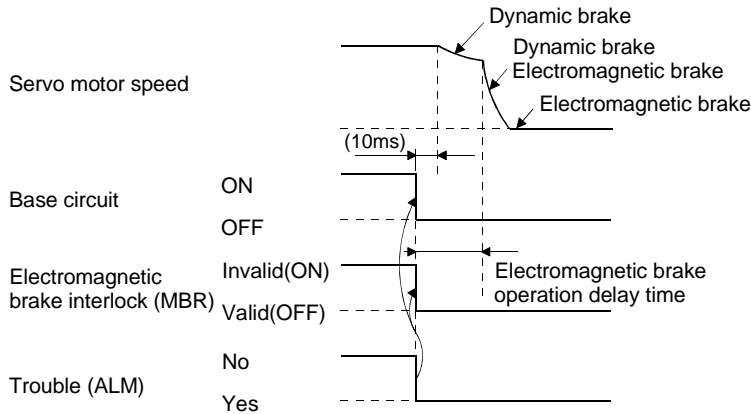


(b) Emergency stop command (from controller) or forced stop signal (EM1) ON/OFF

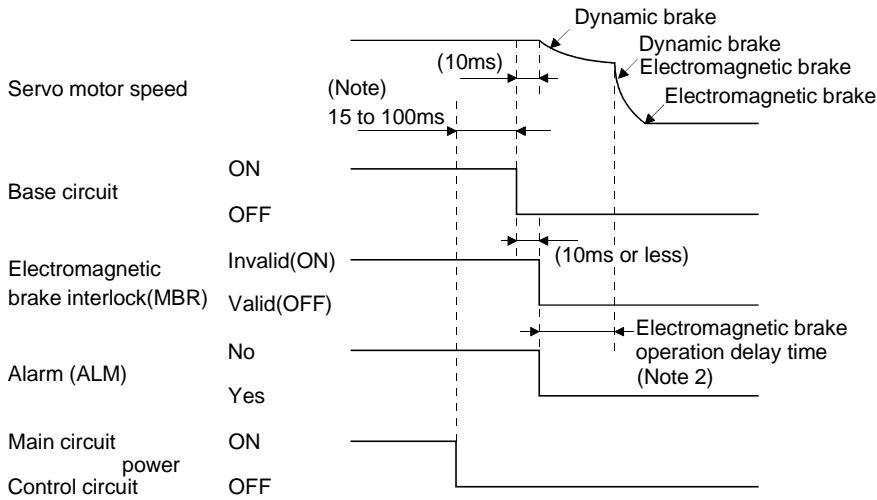


3. SIGNALS AND WIRING

(c) Alarm occurrence

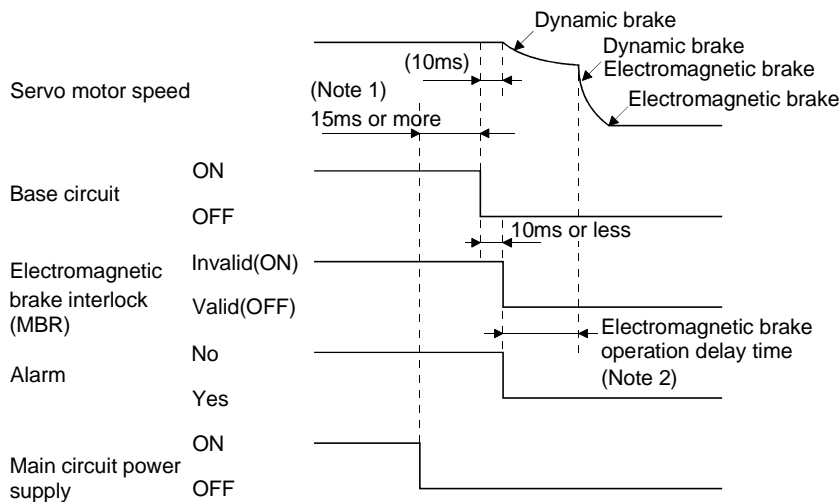


(d) Both main and control circuit power supplies off



Note: Changes with the operating status.

(e) Only main circuit power supply off (control circuit power supply remains on)



Note: 1. Changes with the operating status.

2. When the main circuit power supply is off in a motor stop status, the main circuit off warning (E9) occurs and the ALM signal does not turn off.

3. SIGNALS AND WIRING

3.8 Grounding

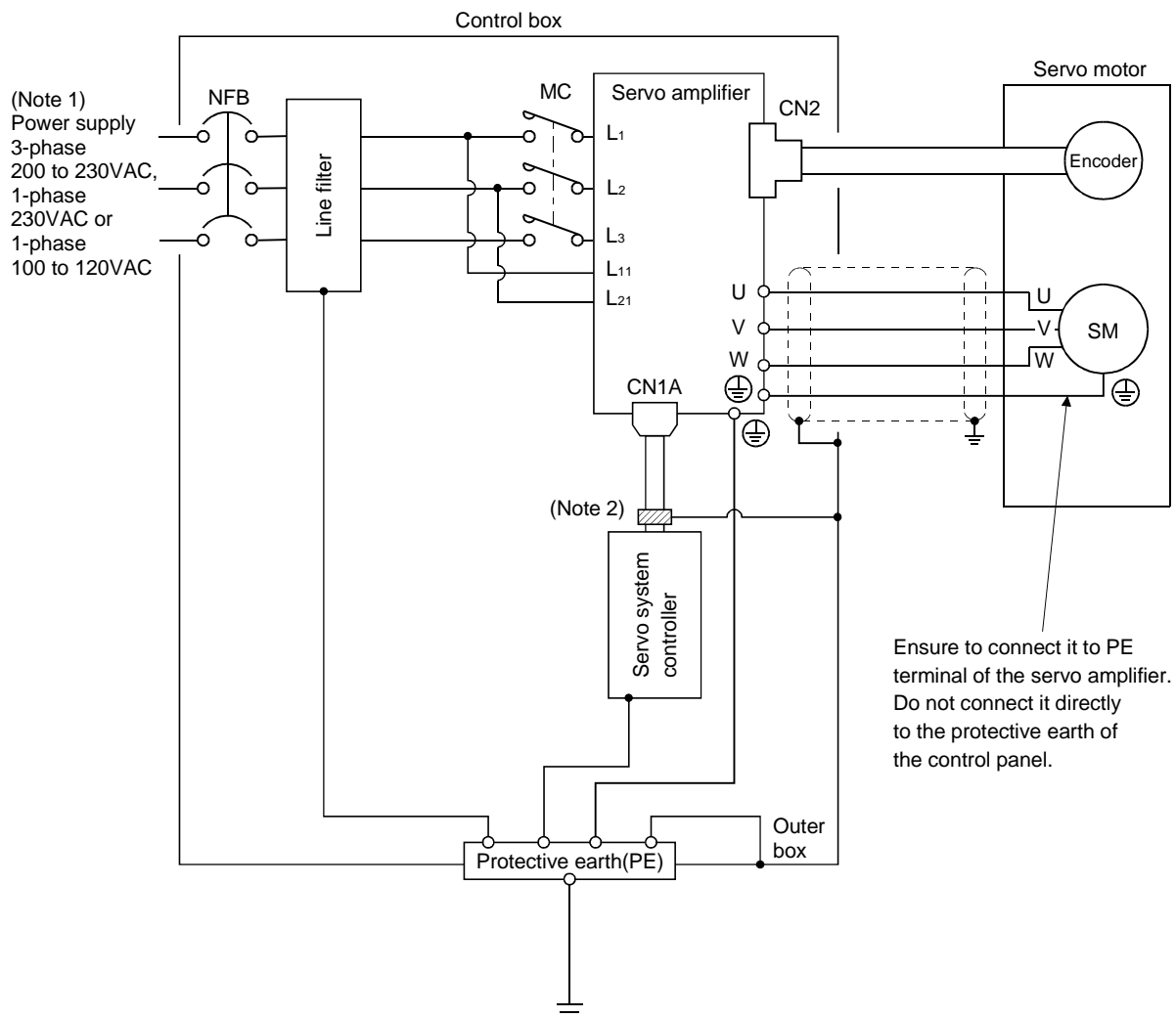


WARNING

- Ground the servo amplifier and servo motor securely.
- To prevent an electric shock, always connect the protective earth (PE) terminal of the servo amplifier with the protective earth (PE) of the control box.

The servo amplifier switches the power transistor on-off to supply power to the servo motor. Depending on the wiring and ground cablerouting, the servo amplifier may be affected by the switching noise (due to di/dt and dv/dt) of the transistor. To prevent such a fault, refer to the following diagram and always ground.

To conform to the EMC Directive, refer to the EMC Installation Guidelines (IB(NA)67310).



Note: 1. For 1-phase 230VAC, connect the power supply to L₁•L₂ and leave L₃ open.
There is no L₃ for 1-phase 100 to 120VAC power supply.

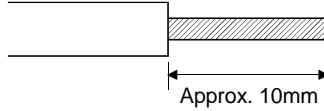
2. To reduce the influence of external noise, we recommend you to ground the bus cable near the controller using a cable clamping fixture or to connect three or four data line filters in series.

3. SIGNALS AND WIRING

3.9 Servo amplifier terminal block (TE2) wiring method

(1) Termination of the cables

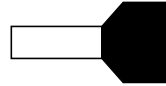
Solid wire: After the sheath has been stripped, the cable can be used as it is. (Cable size: 0.2 to 2.5mm²)



Twisted wire: Use the cable after stripping the sheath and twisting the core. At this time, take care to avoid a short caused by the loose wires of the core and the adjacent pole. Do not solder the core as it may cause a contact fault. (Cable size: 0.2 to 2.5mm²) Alternatively, a bar terminal may be used to put the wires together. (Phoenix contact)



Bar terminal for 1 cable
(Bar terminal ferrule with insulation sleeve)



Bar terminal for 2 cable
(Twin ferrule with insulation sleeve)

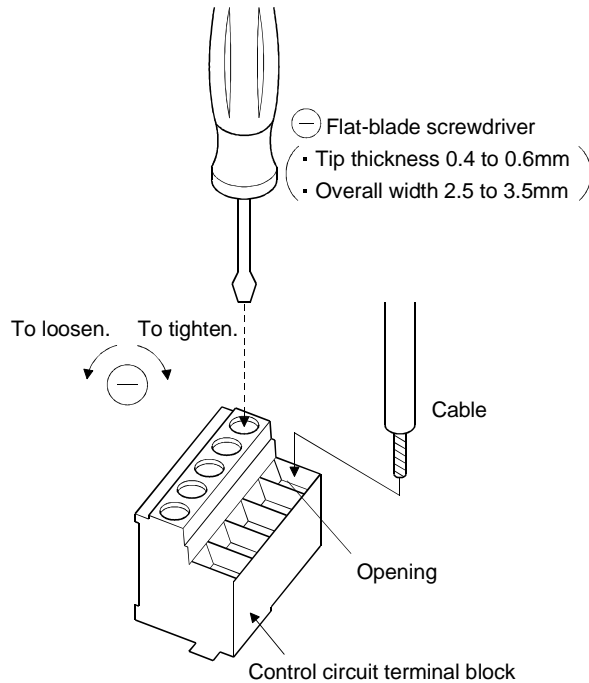
Cable size		Bar terminal type		Crimping tool
[mm ²]	AWG	For 1 cable	For 2 cables	
0.25	24	AI0.25-6YE AI0.25-8YE		CRIMPFOX-UD6
0.5	20	AI0.5-6WH AI0.5-8WH		
0.75	18	AI0.75-6GY AI0.75-8GY	AI-TWIN2 × 0.75-8GY AI-TWIN2 × 0.75-10GY	
1	18	AI1-6RD AI1-8RD	AI-TWIN2 × 1-8RD AI-TWIN2 × 1-10RD	
1.5	16	AI1.5-6BK AI1.5-8BK	AI-TWIN2 × 1.5-8BK AI-TWIN2 × 1.5-12BK	
2.5	14	AI2.5-8BU AI2.5-8BU-1000	AI-TWIN2 × 2.5-10BU AI-TWIN2 × 2.5-13BU	

3. SIGNALS AND WIRING

(2) Connection

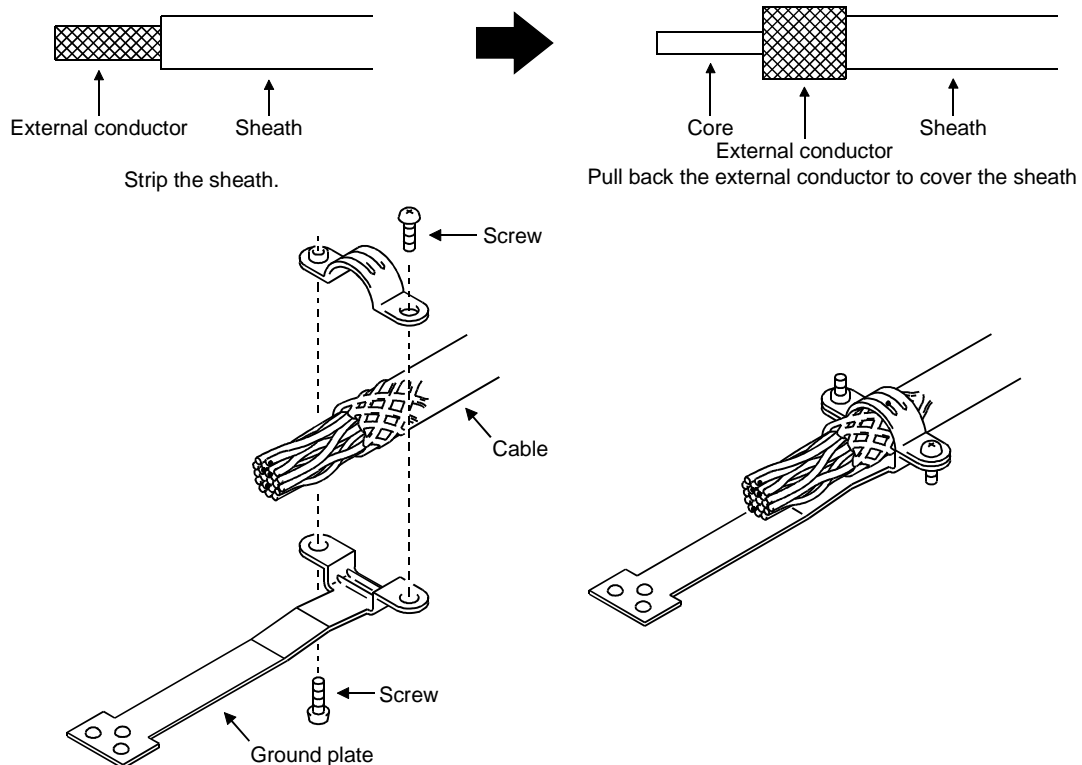
Insert the core of the cable into the opening and tighten the screw with a flat-blade screwdriver so that the cable does not come off. (Tightening torque: 0.5 to $0.6\text{N} \cdot \text{m}$) Before inserting the cable into the opening, make sure that the screw of the terminal is fully loose.

When using a cable of 1.5mm^2 or less, two cables may be inserted into one opening.



3.10 Instructions for the 3M connector

When fabricating an encoder cable or the like, securely connect the shielded external conductor of the cable to the ground plate as shown in this section and fix it to the connector shell.



3. SIGNALS AND WIRING

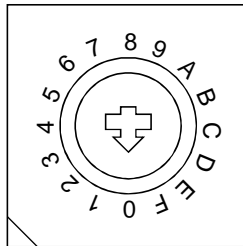
3.11 Control axis selection

POINT	<ul style="list-style-type: none"> The control axis number set to CS1 should be the same as the one set to the servo system controller.
-------	--

Use the axis select switch (CS1) to set the control axis number for the servo. If the same numbers are set to different control axes in a single communication system, the system will not operate properly. The control axes may be set independently of the bus cable connection sequence.

Set the switch to "F" when executing the test operation mode using servo configuration software.

Axis select switch (CS1)



No.	Description
0	Axis 1
1	Axis 2
2	Axis 3
3	Axis 4
4	Axis 5
5	Axis 6
6	Axis 7
7	Axis 8
8	Not used
9	Not used
A	Not used
B	Not used
C	Not used
D	Not used
E	Not used
F	Test operation mode or when machine analyzer is used (Refer to Section 6.1.2)

4. OPERATION AND DISPLAY

4. OPERATION AND DISPLAY

4.1 When switching power on for the first time

Before starting operation, check the following:

(1) Wiring

- (a) A correct power supply is connected to the power input terminals (L1, L2, L3, L11, L21) of the servo amplifier.
- (b) The servo motor power supply terminals (U, V, W) of the servo amplifier match in phase with the power input terminals (U, V, W) of the servo motor.
- (c) The servo motor power supply terminals (U, V, W) of the servo amplifier are not shorted to the power input terminals (L1, L2, L3) of the servo motor.
- (d) The servo amplifier and servo motor are grounded securely.
- (e) Note the following when using the regenerative brake option, brake unit or power return converter:
 - 1) For the MR-J2S-350B or less, the lead has been removed from across D-P of the control circuit terminal block, and twisted cables are used for its wiring.
 - 2) For the MR-J2S-500B or more, the lead has been removed from across P-C of the servo amplifier built-in regenerative brake resistor, and twisted cables are used for its wiring.
- (f) 24VDC or higher voltages are not applied to the pins of connector CN3.
- (g) SD and SG of connector CN3 are not shorted.
- (h) The wiring cables are free from excessive force.
- (i) CN1A should be connected with the bus cable connected to the servo system controller or preceding axis servo amplifier, and CN1B should be connected with the bus cable connected to the subsequent axis servo amplifier or with the termination connector (MR-A-TM.)

(2) Axis number

The axis number setting of CS1 should be the same as that of the servo system controller. (Refer to Section 3.11.)

(3) Parameters

On the servo system controller screen or using the servo configuration software, make sure that correct values have been set in the parameters.

(4) Environment

Signal cables and power cables are not shorted by wire offcuts, metallic dust or the like.

(5) Machine

- (a) The screws in the servo motor installation part and shaft-to-machine connection are tight.
- (b) The servo motor and the machine connected with the servo motor can be operated.

4. OPERATION AND DISPLAY

4.2 Start up



WARNING

- Do not operate the switches with wet hands. You may get an electric shock.
- Do not operate the controller with the front cover removed. High-voltage terminals and charging area exposed and you may get an electric shock.
- During power-on or operation, do not open the front cover. You may get an electric shock.



CAUTION

- Before starting operation, check the parameters. Some machines may perform unexpected operation.
- During power-on or soon after power-off, do not touch or close a parts (cable etc.) to the servo amplifier heat sink, regenerative brake resistor, servo motor, etc. Their temperatures may be high and you may get burnt or a parts may damaged.

Connect the servo motor with a machine after confirming that the servo motor operates properly alone.

(1) Power on

When the main and control circuit power supplies are switched on, "d1" (for the first axis) appears on the servo amplifier display.

In the absolute position detection system, first power-on results in the absolute position lost (25) alarm and the servo system cannot be switched on. This is not a failure and takes place due to the uncharged capacitor in the encoder.

The alarm can be deactivated by keeping power on for a few minutes in the alarm status and then switching power off once and on again.

Also in the absolute position detection system, if power is switched on at the servo motor speed of 500r/min or higher, position mismatch may occur due to external force or the like. Power must therefore be switched on when the servo motor is at a stop.

(2) Parameter setting

Set the parameters according to the structure and specifications of the machine. Refer to Chapter 5 for the parameter definitions.

Parameter No.	Name	Setting	Description
7	Rotation direction setting	0	Increase in positioning address rotates the motor in the CCW direction.
8	Auto tuning	<input type="checkbox"/> <input type="checkbox"/> <input type="checkbox"/> 1	Used.
9	Servo response	<input type="checkbox"/> <input type="checkbox"/> <input type="checkbox"/> 5	Slow response (initial value) is selected.

After setting the above parameters, switch power off once. Then switch power on again to make the set parameter values valid.

4. OPERATION AND DISPLAY

(3) Servo-on

Switch the servo-on in the following procedure:

- 1) Switch on main circuit/control power supply.
- 2) The controller transmits the servo-on command.

When placed in the servo-on status, the servo amplifier is ready to operate and the servo motor is locked.

(4) Home position return

Always perform home position return before starting positioning operation.

(5) Stop

If any of the following situations occurs, the servo amplifier suspends the running of the servo motor and brings it to a stop.

When the servo motor is equipped with an electromagnetic brake, refer to Section 3.7.

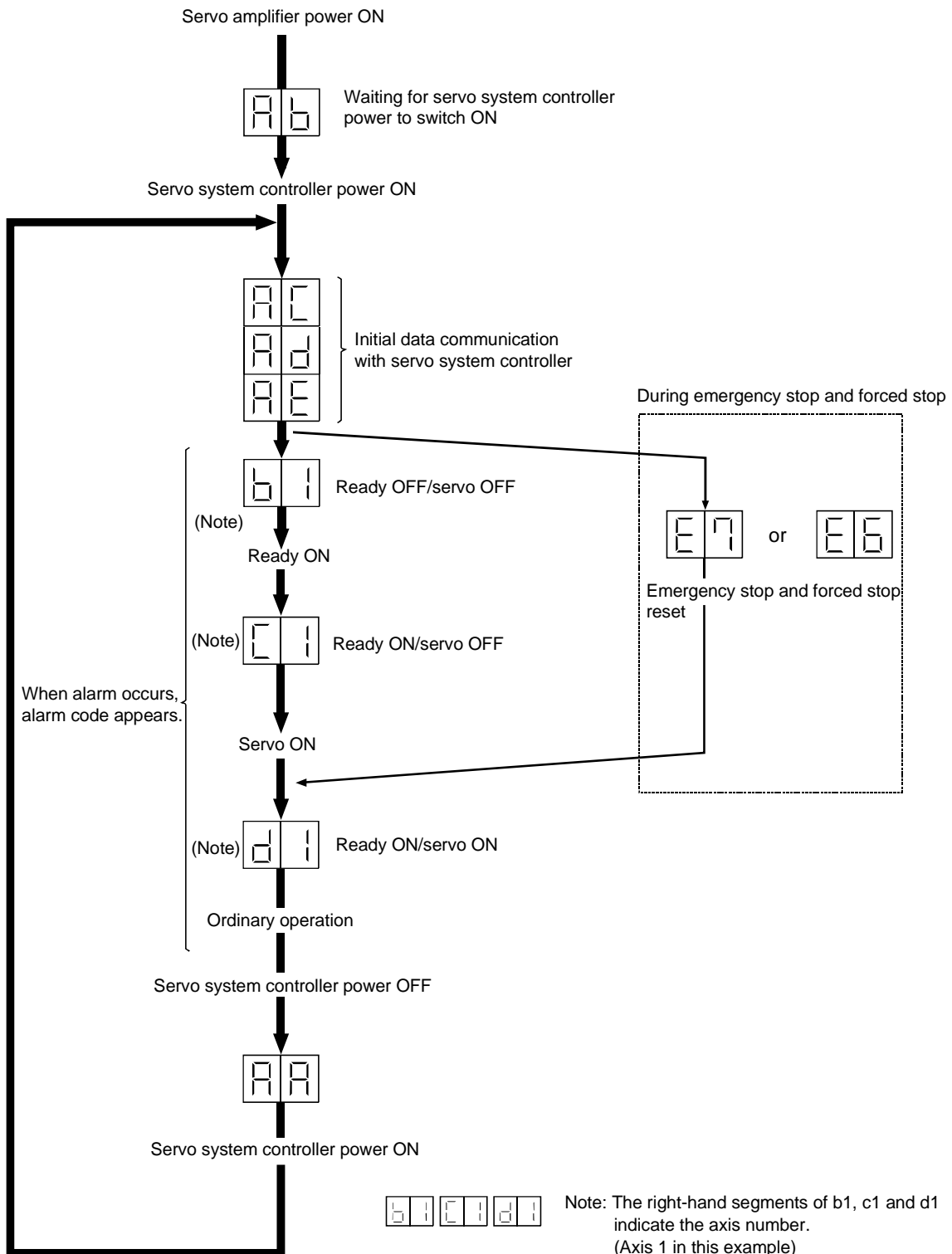
	Operation/command	Stopping condition
Servo system controller	Servo off command	The base circuit is shut off and the servo motor coasts.
	Emergency stop command	The base circuit is shut off and the dynamic brake operates to bring the servo motor to stop. The controller emergency stop warning (E7) occurs.
Servo amplifier	Alarm occurrence	The base circuit is shut off and the dynamic brake operates to bring the servo motor to stop.
	Forced stop signal (EM1) OFF	The base circuit is shut off and the dynamic brake operates to bring the servo motor to stop. The servo forced stop warning (E6) occurs.

4. OPERATION AND DISPLAY

4.3 Servo amplifier display

On the servo amplifier display (two-digit, seven-segment display), check the status of communication with the servo system controller at power-on, check the axis number, and diagnose a fault at occurrence of an alarm.

(1) Display sequence



4. OPERATION AND DISPLAY

(2) Indication list

Indication	Status	Description
AA	Initializing	The servo amplifier was switched on when power to the servo system controller is off.
Ab	Initializing	<ul style="list-style-type: none"> • Power to the servo system controller was switched off during power-on of the servo amplifier. • The axis No. set to the servo system controller does not match the axis No. set with the axis setting switch (CS1) of the servo amplifier. • A servo amplifier fault occurred or an error took place in communication with the servo system controller. In this case, the indication changes: "Ab" → "AC" → "Ad" → "Ab" • The servo system controller is faulty.
AC	Initializing	Communication started between the servo system controller and servo amplifier.
Ad	Initializing	The initial parameters from the servo system controller were received.
AE	Initialize completion	Initial data communication with the servo system controller was completed.
(Note 1) b#	Ready OFF	The ready off signal from the servo system controller was received.
(Note 1) d#	Servo ON	The ready off signal from the servo system controller was received.
(Note 1) C#	Servo OFF	The ready off signal from the servo system controller was received.
(Note 2) **	Alarm · Warning	The alarm No./warning No. that occurred is displayed. (Refer to Section 9.1.)
88	CPU error	
(Note 3) b0.	(Note 3) Test operation mode	JOG operation, positioning operation, programmed operation, DO forced output.
(Note 1) b#. d#. c#.		Motor-less operation

Note: 1. # denotes any of numerals 0 to 8 and what it means is listed below:

#	Description
0	Set to the test operation mode.
1	First axis
2	Second axis
3	Third axis
4	Fourth axis
5	Fifth axis
6	Sixth axis
7	Seventh axis
8	Eighth axis

2. ** indicates the warning/alarm No.
3. Requires the servo configuration software.

4. OPERATION AND DISPLAY

4.4 Test operation mode



CAUTION

- The test operation mode is designed for servo operation confirmation and not for machine operation confirmation. Do not use this mode with the machine. Always use the servo motor alone.
- If an operation fault occurred, use the forced stop (EM1) to make a stop.

By using a personal computer and the servo configuration software (MRZJW3-SETUP121E), you can execute jog operation, positioning operation, motor-less operation and DO forced output without connecting the motion controller.

(1) Test operation mode

(a) Jog operation

Jog operation can be performed without using the servo system controller. Use this operation with the forced stop reset. This operation may be used independently of whether the servo is on or off and whether the servo system controller is connected or not.

Exercise control on the jog operation screen of the Servo configuration software.

1) Operation pattern

Item	Initial value	Setting range
Speed [r/min]	200	0 to max. speed
Acceleration/deceleration time constant [ms]	1000	1 to 20000

2) Operation method

Operation	Screen control
Forward rotation start	Press Forward (G) button.
Reverse rotation start	Press Reverse (R) button.
Stop	Press Stop (O) button.

(b) Positioning operation

Positioning operation can be performed without using the servo system controller. Use this operation with the forced stop reset. This operation may be used independently of whether the servo is on or off and whether the servo system controller is connected or not.

Exercise control on the positioning operation screen of the servo configuration software.

1) Operation pattern

Item	Initial value	Setting range
Travel [pulse]	100000	0 to 9999999
Speed [r/min]	200	0 to max. speed
Acceleration/deceleration time constant [ms]	1000	1 to 50000

2) Operation method

Operation	Screen control
Forward rotation start	Press Forward (G) button.
Reverse rotation start	Press Reverse (R) button.
Pause	Press Pause (O) button.

4. OPERATION AND DISPLAY

(c) Program operation

Positioning operation can be performed in two or more operation patterns combined, without using the servo system controller. Use this operation with the forced stop reset. This operation may be used independently of whether the servo is on or off and whether the servo system controller is connected or not.

Exercise control on the programmed operation screen of the servo configuration software. For full information, refer to the Servo Configuration Software Installation Guide.

Operation	Screen Control
Start	Press Start (G) button.
Stop	Press Reset (O) button.

(d) Motorless operation

POINT
<ul style="list-style-type: none"> Motor-less operation may be used with the servo configuration software. Usually, however, use motor-less operation which is available by making the servo system controller parameter setting.

Without connecting the servo motor, output signals or status displays can be provided in response to the servo system controller commands as if the servo motor is actually running. This operation may be used to check the servo system controller sequence. Use this operation with the forced stop reset. Use this operation with the servo amplifier connected to the servo system controller.

Exercise control on the motor-less operation screen of the servo configuration software.

1) Load conditions

Load Item	Condition
Load torque	0
Load inertia moment ratio	Same as servo motor inertia moment

2) Alarms

The following alarms and warning do not occur. However, the other alarms and warnings occur as when the servo motor is connected:

- Encoder error 1 (16)
- Encoder error 2 (20)
- Absolute position erasure (25)
- Battery cable breakage warning (92)

(e) Output signal (DO) forced output

Output signals can be switched on/off forcibly independently of the servo status. Use this function for output signal wiring check, etc.

Exercise control on the DO forced output screen of the servo configuration software.

4. OPERATION AND DISPLAY

(2) Configuration

Configuration should be as in Section 3.1. Always install a forced stop switch to enable a stop at occurrence of an alarm.

(3) Operation procedure

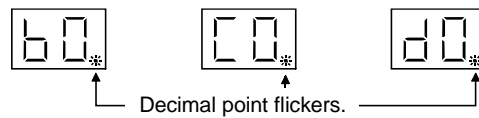
(a) Jog operation, positioning operation, program operation, DO forced output.

- 1) Switch power off.
- 2) Set CS1 to "F".

When CS1 is set to the axis number and operation is performed by the servo system controller, the test operation mode screen is displayed on the personal computer, but no function is performed.

- 3) Switch servo amplifier power on.

When initialization is over, the display shows the following screen:

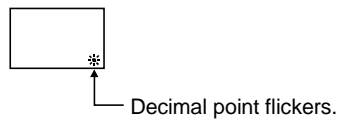


- 4) Perform operation with the personal computer.

(b) Motor-less operation

- 1) Switch off the servo amplifier.
- 2) Perform motor-less operation with the personal computer.

The display shows the following screen:



5. PARAMETERS

5. PARAMETERS



CAUTION

- Never adjust or change the parameter values extremely as it will make operation instable.

POINT

- When the servo amplifier is connected with the servo system controller, the parameters are set to the values of the servo system controller. Switching power off, then on makes the values set on the servo configuration software invalid and the servo system controller values valid.
- In the maker setting parameters, do not set any values other than the initial values.
- Setting may not be made to some parameters and ranges depending on the model or version of the servo system controller. For details, refer to the servo system controller user's manual.

5.1 Parameter write inhibit

POINT

- When setting the parameter values from the servo system controller, the parameter No. 40 setting need not be changed.

In this servo amplifier, the parameters are classified into the basic parameters (No. 1 to 11), adjustment parameters (No. 12 to 26) and expansion parameters (No. 27 to 40) according to their safety aspects and frequencies of use. The values of the basic parameters may be set/changed by the customer, but those of the adjustment and expansion parameters cannot. When in-depth adjustment such as gain adjustment is required, change the parameter No. 40 value to make all parameters accessible. Parameter No. 40 is made valid by switching power off, then on after setting its value.

The following table indicates the parameters which are enabled for reference and write by parameter No. 40 setting.

Setting	Operation	Operation from controller	Operation from servo configuration
0000(initial value)	Reference	Parameter No.1 to 39	Parameter No.1 to 11 · 40
	Write		
000A	Reference	Parameter No.1 to 39	Parameter No.40
	Write		
000C	Reference	Parameter No.1 to 39	Parameter No.1 to 40
	Write		Parameter No.1 to 11 · 40
000E	Reference	Parameter No.1 to 39	Parameter No.1 to 40
	Write		
100E	Reference	Parameter No.1 to 39	Parameter No.1 to 40
	Write		Parameter No.40

5.2 Lists

POINT

- For any parameter whose symbol is preceded by*, set the parameter value and switch power off once, then switch it on again to make that parameter setting valid.

5. PARAMETERS

(1) Item list

Classification	No.	Symbol	Name	(Note 1) Initial Value	Unit	Customer setting
Basic parameters	1	*AMS	Amplifier setting (Note 2)	0000		
	2	*REG	Regenerative brake resistor	0000		
	3		For manufacturer setting	0080		
	4			000		
	5			1		
	6	*FBP	Feedback pulse number	0		
	7	*POL	Rotation direction selection	0		
	8	ATU	Auto tuning	0001		
	9	RSP	Servo response	0005		
	10	TLP	Forward rotation torque limit (Note 2)	300	%	
	11	TLN	Reverse rotation torque limit (Note 2)	300	%	
Adjustment parameters	12	GD2	Ratio of load inertia to servo motor inertia (load inertia ratio)	7.0	times	
	13	PG1	Position control gain 1	35	rad/s	
	14	VG1	Speed control gain 1	177	rad/s	
	15	PG2	Position control gain 2	35	rad/s	
	16	VG2	Speed control gain 2	817	rad/s	
	17	VIC	Speed integral compensation	48	ms	
	18	NCH	Machine resonance suppression filter 1 (Notch filter)	0000		
	19	FFC	Feed forward gain	0	%	
	20	INP	In-position range	100	pulse	
	21	MBR	Electromagnetic brake sequence output	0	ms	
	22	MOD	Analog monitor output	0001		
	23	*OP1	Optional function 1	0000		
	24	*OP2	Optional function 2	0000		
	25	LPF	Low-pass filter/adaptive vibration suppression control	0000		
26		For manufacturer setting	0			
Expansion parameters	27	MO1	Analog monitor 1 offset	0	mV	
	28	MO2	Analog monitor 2 offset	0	mV	
	29		For manufacturer setting	0001		
	30	ZSP	Zero speed	50	r/min	
	31	ERZ	Error excessive alarm level	80	0.1rev	
	32	OP5	Optional function 5	0000		
	33	*OP6	Optional function 6	0000		
	34	VPI	PI-PID control switch-over position droop	0	pulse	
	35		For manufacturer setting	0		
	36	VDC	Speed differential compensation	980		
	37		For manufacturer setting	0010		
	38	*ENR	Encoder output pulses	4000	pulse/rev	
	39		For manufacturer setting	0		
	40	*BLK	Parameter blocks (Note 2)	0000		

Note 1: Factory settings of the drive unit. Connecting it with the servo system controller and switching power on changes them to the settings of the servo system controller.

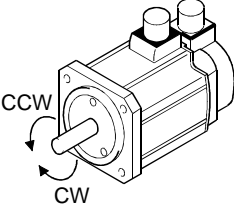
2: Setting and changing cannot be made from the peripheral software of the motion controller.

5. PARAMETERS

(2) Details list

Classification	No.	Symbol	Name and Function	Initial Value	Unit	Setting Range												
Basic parameters	1	*AMS	<p>Amplifier setting Used to select the absolute position detection.</p> <table border="1" style="margin-left: 20px;"> <tr> <td style="width: 20px; text-align: center;">0</td> <td style="width: 20px; text-align: center;">0</td> <td style="width: 20px; text-align: center;">0</td> <td style="width: 20px;"></td> </tr> </table> <p style="margin-left: 40px;">└ Absolute position detection selection 0: Invalid (Used in incremental system.) 1: Valid (Used in absolute position detection system.)</p>	0	0	0		0000		Refer to name and function column.								
	0	0	0															
	2	*REG	<p>Regenerative brake resistor Used to select the regenerative brake option used.</p> <table border="1" style="margin-left: 20px;"> <tr> <td style="width: 20px; text-align: center;">0</td> <td style="width: 20px; text-align: center;">0</td> <td style="width: 20px;"></td> <td style="width: 20px;"></td> </tr> </table> <p style="margin-left: 40px;">└ Regenerative selection brake option 00: Not used 01: FR-RC•FR-BU 05: MR-RB32 08: MR-RB30 09: MR-RB50 0B: MR-RB31 0C: MR-RB51 10: MR-RB032 11: MR-RB12</p> <table border="1" style="margin-left: 20px; width: 100%;"> <tr> <td style="text-align: center;">POINT</td> </tr> </table> <ul style="list-style-type: none"> ▪ Wrong setting may cause the regenerative brake option to burn. ▪ If the regenerative brake option selected is not for use with the servo amplifier, parameter error (37) occurs. 	0	0			POINT	0000		Refer to name and function column.							
	0	0																
	POINT																	
	3			For manufacturer setting	0080													
	4			Must not be changed.	0000													
5				1														
6	*FBP	<p>Feedback pulse number Set the number of pulses per revolution in the controller side command unit. Information on the motor such as the feedback pulse value, present position, droop pulses and within-one-revolution position are derived from the values converted into the number of pulses set here.</p> <table border="1" style="margin-left: 20px; width: 100%;"> <thead> <tr> <th style="width: 15%;">Setting</th> <th style="width: 85%;">Number of feedback pulses</th> </tr> </thead> <tbody> <tr> <td style="text-align: center;">0</td> <td style="text-align: center;">16384</td> </tr> <tr> <td style="text-align: center;">1</td> <td style="text-align: center;">8192</td> </tr> <tr> <td style="text-align: center;">6</td> <td style="text-align: center;">32768</td> </tr> <tr> <td style="text-align: center;">7</td> <td style="text-align: center;">131072</td> </tr> <tr> <td style="text-align: center;">255</td> <td>Depending on the number of motor resolution pulses.</td> </tr> </tbody> </table> <table border="1" style="margin-left: 20px; width: 100%;"> <tr> <td style="text-align: center;">POINT</td> </tr> </table> <ul style="list-style-type: none"> ▪ If the number of pulses set exceeds the actual motor resolution, the motor resolution is set automatically. 	Setting	Number of feedback pulses	0	16384	1	8192	6	32768	7	131072	255	Depending on the number of motor resolution pulses.	POINT	0		Refer to name and function column.
Setting	Number of feedback pulses																	
0	16384																	
1	8192																	
6	32768																	
7	131072																	
255	Depending on the number of motor resolution pulses.																	
POINT																		

5. PARAMETERS

Classification	No.	Symbol	Name and Function	Initial Value	Unit	Setting Range																					
Basic parameters	7	*POL	<p>Rotation direction selection</p> <p>Used to select the rotation direction of the servo motor.</p> <p>0: Forward rotation (CCW) with the increase of the positioning address.</p> <p>1: Reverse rotation (CW) with the increase of the positioning address.</p> 	0		Refer to name and function column.																					
	8	ATU	<p>Auto tuning</p> <p>Used to select the gain adjustment mode of auto tuning.</p> <table border="1" data-bbox="405 835 588 887"> <tr> <td>0</td> <td>0</td> <td>0</td> <td></td> </tr> </table> <p>Gain adjustment mode selection (For details, refer to Section 6.1.1.)</p> <table border="1" data-bbox="592 987 1090 1561"> <thead> <tr> <th>Set value</th> <th>Gain adjustment mode</th> <th>Description</th> </tr> </thead> <tbody> <tr> <td>0</td> <td>Interpolation mode</td> <td>Fixes position control gain 1 (parameter No. 13).</td> </tr> <tr> <td>1</td> <td>Auto tuning mode 1</td> <td>Ordinary auto tuning.</td> </tr> <tr> <td>3</td> <td>Auto tuning mode 2</td> <td>Fixes the load inertia moment ratio set in parameter No. 12. Response level setting can be changed.</td> </tr> <tr> <td>4</td> <td>Manual mode 1</td> <td>Simple manual adjustment.</td> </tr> <tr> <td>2</td> <td>Manual mode 2</td> <td>Manual adjustment of all gains.</td> </tr> </tbody> </table>	0	0	0		Set value	Gain adjustment mode	Description	0	Interpolation mode	Fixes position control gain 1 (parameter No. 13).	1	Auto tuning mode 1	Ordinary auto tuning.	3	Auto tuning mode 2	Fixes the load inertia moment ratio set in parameter No. 12. Response level setting can be changed.	4	Manual mode 1	Simple manual adjustment.	2	Manual mode 2	Manual adjustment of all gains.	0001	
0	0	0																									
Set value	Gain adjustment mode	Description																									
0	Interpolation mode	Fixes position control gain 1 (parameter No. 13).																									
1	Auto tuning mode 1	Ordinary auto tuning.																									
3	Auto tuning mode 2	Fixes the load inertia moment ratio set in parameter No. 12. Response level setting can be changed.																									
4	Manual mode 1	Simple manual adjustment.																									
2	Manual mode 2	Manual adjustment of all gains.																									

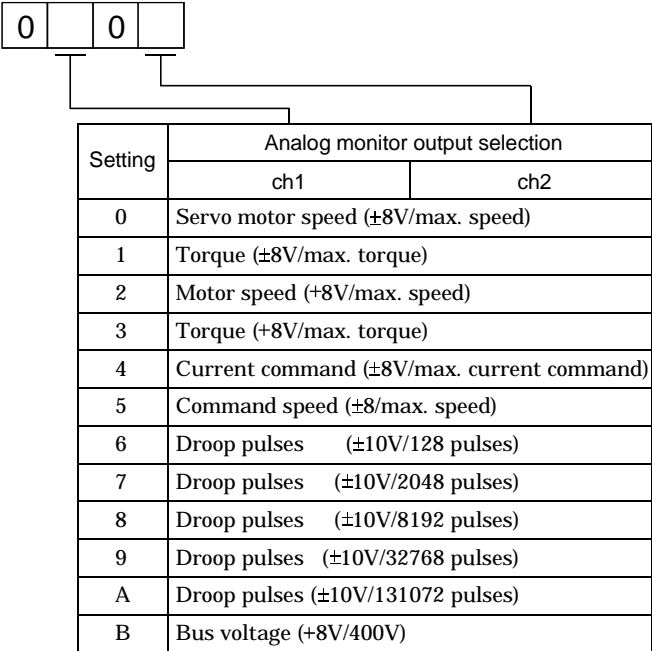
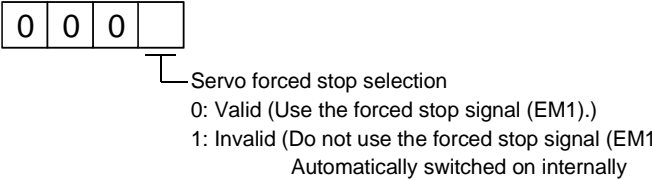
5. PARAMETERS

Classification	No.	Symbol	Name and Function	Initial Value	Unit	Setting Range																																				
Basic parameters	9	RSP	<p>Servo response Used to select the response of auto tuning.</p> <p><input type="text" value="0"/> <input type="text" value="0"/> <input type="text" value="0"/> <input type="text" value=""/></p> <p>Auto tuning response level selection</p> <table border="1"> <thead> <tr> <th>Set value</th> <th>Response level</th> <th>Machine resonance frequency guideline</th> </tr> </thead> <tbody> <tr><td>1</td><td rowspan="4">Low response</td><td>15Hz</td></tr> <tr><td>2</td><td>20Hz</td></tr> <tr><td>3</td><td>25Hz</td></tr> <tr><td>4</td><td>30Hz</td></tr> <tr><td>5</td><td rowspan="4">Middle response</td><td>35Hz</td></tr> <tr><td>6</td><td>45Hz</td></tr> <tr><td>7</td><td>55Hz</td></tr> <tr><td>8</td><td>70Hz</td></tr> <tr><td>9</td><td rowspan="4">High response</td><td>85Hz</td></tr> <tr><td>A</td><td>105Hz</td></tr> <tr><td>B</td><td>130Hz</td></tr> <tr><td>C</td><td>160Hz</td></tr> <tr><td>D</td><td>200Hz</td></tr> <tr><td>E</td><td>240Hz</td></tr> <tr><td>F</td><td>300Hz</td></tr> </tbody> </table> <ul style="list-style-type: none"> • If the machine hunts or generates large gear sound, decrease the set value. • To improve performance, e.g. shorten the settling time, increase the set value. 	Set value	Response level	Machine resonance frequency guideline	1	Low response	15Hz	2	20Hz	3	25Hz	4	30Hz	5	Middle response	35Hz	6	45Hz	7	55Hz	8	70Hz	9	High response	85Hz	A	105Hz	B	130Hz	C	160Hz	D	200Hz	E	240Hz	F	300Hz	0005		Refer to name and function column.
	Set value	Response level	Machine resonance frequency guideline																																							
	1	Low response	15Hz																																							
2	20Hz																																									
3	25Hz																																									
4	30Hz																																									
5	Middle response	35Hz																																								
6		45Hz																																								
7		55Hz																																								
8		70Hz																																								
9	High response	85Hz																																								
A		105Hz																																								
B		130Hz																																								
C		160Hz																																								
D	200Hz																																									
E	240Hz																																									
F	300Hz																																									
	10	TLP	<p>Forward rotation torque limit Assume that the rated torque is 100[%]. Used to limit the torque in the forward rotation driving mode and reverse rotation regenerative mode. In other than the test operation mode on the servo configuration software, the torque limit value on the servo system controller side is made valid.</p>	300	%	0 to 500																																				
	11	TLN	<p>Reverse rotation torque limit Assume that the rated torque is 100[%]. Used to limit the torque in the forward rotation driving mode and forward rotation regenerative mode. In other than the test operation mode on the servo configuration software, the torque limit value on the servo system controller side is made valid.</p>	300	%	0 to 500																																				
Adjustment parameters	12	GD2	<p>Ratio of load inertia to servo motor inertia (load inertia ratio) Used to set the ratio of the load inertia (inertia moment) to the inertia moment of the servo motor shaft. When auto tuning mode 1 and interpolation mode is selected, the result of auto tuning is automatically used. (Refer to section 6.1.1)</p>	7.0	times	0.0 to 300.0																																				
	13	PG1	<p>Position loop gain 1 Used to set the gain of position loop 1. Increase the gain to improve trackability performance in response to the position command. When auto turning mode 1,2 is selected, the result of auto turning is automatically used.</p>	35	rad/s	4 to 2000																																				

5. PARAMETERS

Classification	No.	Symbol	Name and Function	Initial Value	Unit	Setting Range																																																																																				
Adjustment parameters	14	VG1	Speed loop gain 1 Normally this parameter setting need not be changed. Higher setting increases the response level but is liable to generate vibration and/or noise. When auto tuning mode 1,2 and interpolation mode is selected, the result of auto tuning is automatically used.	177	rad/s	20 to 5000																																																																																				
	15	PG2	Position loop gain 2 Used to set the gain of the position loop. Set this parameter to increase position response to load disturbance. Higher setting increases the response level but is liable to generate vibration and/or noise. When auto tuning mode 1 • 2, manual mode and interpolation mode is selected, the result of auto tuning is automatically used.	35	rad/s	1 to 1000																																																																																				
	16	VG2	Speed loop gain 2 Set this parameter when vibration occurs on machines of low rigidity or large backlash. Higher setting increases the response level but is liable to generate vibration and/or noise. When auto tuning mode 1 • 2 and interpolation mode is selected, the result of auto tuning is automatically used.	817	rad/s	20 to 20000																																																																																				
	17	VIC	Speed integral compensation Used to set the constant of integral compensation. When auto tuning mode 1 • 2 and interpolation mode is selected, the result of auto tuning is automatically used.	48	ms	1 to 1000																																																																																				
	18	NCH	Machine resonance suppression filter 1 (Notch filter) Used to select the machine resonance suppression filter. (Refer to Section 7.2.) <div style="display: flex; align-items: center;"> <div style="border: 1px solid black; padding: 2px; margin-right: 5px;">0</div> <div style="border: 1px solid black; width: 20px; height: 20px; margin-right: 5px;"></div> <div style="border: 1px solid black; width: 20px; height: 20px; margin-right: 5px;"></div> <div style="border: 1px solid black; width: 20px; height: 20px;"></div> </div> <p style="margin-left: 40px;">Notch frequency selection</p> <table border="1" style="margin-left: 40px; border-collapse: collapse; text-align: center;"> <thead> <tr> <th>Setting</th><th>Frequency</th><th>Setting</th><th>Frequency</th><th>Setting</th><th>Frequency</th><th>Setting</th><th>Frequency</th></tr> </thead> <tbody> <tr><td>00</td><td>Invalid</td><td>08</td><td>562.5</td><td>10</td><td>281.3</td><td>18</td><td>187.5</td></tr> <tr><td>01</td><td>4500</td><td>09</td><td>500</td><td>11</td><td>264.7</td><td>19</td><td>180</td></tr> <tr><td>02</td><td>2250</td><td>0A</td><td>450</td><td>12</td><td>250</td><td>1A</td><td>173.1</td></tr> <tr><td>03</td><td>1500</td><td>0B</td><td>409.1</td><td>13</td><td>236.8</td><td>1B</td><td>166.7</td></tr> <tr><td>04</td><td>1125</td><td>0C</td><td>375</td><td>14</td><td>225</td><td>1C</td><td>160.1</td></tr> <tr><td>05</td><td>900</td><td>0D</td><td>346.2</td><td>15</td><td>214.3</td><td>1D</td><td>155.2</td></tr> <tr><td>06</td><td>750</td><td>0E</td><td>321.4</td><td>16</td><td>204.5</td><td>1E</td><td>150</td></tr> <tr><td>07</td><td>642.9</td><td>0F</td><td>300</td><td>17</td><td>195.7</td><td>1F</td><td>145.2</td></tr> </tbody> </table> <p style="margin-left: 40px;">Notch depth selection</p> <table border="1" style="margin-left: 40px; border-collapse: collapse; text-align: center;"> <thead> <tr> <th>Setting</th><th>Depth</th><th>Gain</th></tr> </thead> <tbody> <tr><td>0</td><td rowspan="3">Deep to Shallow</td><td>-40dB</td></tr> <tr><td>1</td><td>-14dB</td></tr> <tr><td>2</td><td>-8dB</td></tr> <tr><td>3</td><td>Shallow</td><td>-4dB</td></tr> </tbody> </table>	Setting	Frequency	Setting	Frequency	Setting	Frequency	Setting	Frequency	00	Invalid	08	562.5	10	281.3	18	187.5	01	4500	09	500	11	264.7	19	180	02	2250	0A	450	12	250	1A	173.1	03	1500	0B	409.1	13	236.8	1B	166.7	04	1125	0C	375	14	225	1C	160.1	05	900	0D	346.2	15	214.3	1D	155.2	06	750	0E	321.4	16	204.5	1E	150	07	642.9	0F	300	17	195.7	1F	145.2	Setting	Depth	Gain	0	Deep to Shallow	-40dB	1	-14dB	2	-8dB	3	Shallow	-4dB	0	
Setting	Frequency	Setting	Frequency	Setting	Frequency	Setting	Frequency																																																																																			
00	Invalid	08	562.5	10	281.3	18	187.5																																																																																			
01	4500	09	500	11	264.7	19	180																																																																																			
02	2250	0A	450	12	250	1A	173.1																																																																																			
03	1500	0B	409.1	13	236.8	1B	166.7																																																																																			
04	1125	0C	375	14	225	1C	160.1																																																																																			
05	900	0D	346.2	15	214.3	1D	155.2																																																																																			
06	750	0E	321.4	16	204.5	1E	150																																																																																			
07	642.9	0F	300	17	195.7	1F	145.2																																																																																			
Setting	Depth	Gain																																																																																								
0	Deep to Shallow	-40dB																																																																																								
1		-14dB																																																																																								
2		-8dB																																																																																								
3	Shallow	-4dB																																																																																								
	19	FFC	Feed forward gain Used to set the feed forward gain for position control. Set "100" to nearly zero the droop pulse value when operation is performed at constant speed. Note that sudden acceleration/deceleration will increase overshoot. As a guideline, when you set the feed forward gain for 100%, set the acceleration/deceleration time constant to/from the rated speed for 1s or longer.	0	%	0 to 100																																																																																				

5. PARAMETERS

Classification	No.	Symbol	Name and Function	Initial Value	Unit	Setting Range																																									
Adjustment parameters	20	INP	<p>In-position range</p> <p>Used to set the droop pulse range in which the in-position signal (INP) will be output to the controller. Make setting in the feedback pulse unit (parameter No. 6).</p> <p>For example, when you want to set $\pm 10\mu\text{m}$ in the conditions that the ballscrew is direct coupled, the lead is 10mm, and the feedback pulses are 8192 pulses/rev (parameter No. 6 : 1), set "8" as indicated by the following expression:</p> $\frac{10 \times 10^{-6}}{10 \times 10^{-3}} \cdot 8192 = 8.192 \approx 8$	100	pulse	0 to 50000																																									
	21	MBR	<p>Electromagnetic brake sequence output</p> <p>Used to set a time delay (Tb) from when the electromagnetic brake interlock signal (MBR) turns off until the base circuit is shut off.</p>	100	ms	0 to 1000																																									
	22	MOD	<p>Analog monitor output</p> <p>Used to select the signal provided to the analog monitor. (Refer to Section 5.3.)</p> <div style="display: flex; align-items: center;"> <div style="border: 1px solid black; padding: 2px; margin-right: 5px;">0</div> <div style="border: 1px solid black; padding: 2px; margin-right: 5px;">0</div> <div style="border: 1px solid black; padding: 2px; margin-right: 5px;">0</div> <div style="border: 1px solid black; padding: 2px; margin-right: 5px;">0</div> </div>  <table border="1" style="margin-left: auto; margin-right: auto;"> <thead> <tr> <th rowspan="2">Setting</th> <th colspan="2">Analog monitor output selection</th> </tr> <tr> <th>ch1</th> <th>ch2</th> </tr> </thead> <tbody> <tr> <td>0</td> <td colspan="2">Servo motor speed ($\pm 8\text{V}/\text{max. speed}$)</td> </tr> <tr> <td>1</td> <td colspan="2">Torque ($\pm 8\text{V}/\text{max. torque}$)</td> </tr> <tr> <td>2</td> <td colspan="2">Motor speed ($+8\text{V}/\text{max. speed}$)</td> </tr> <tr> <td>3</td> <td colspan="2">Torque ($+8\text{V}/\text{max. torque}$)</td> </tr> <tr> <td>4</td> <td colspan="2">Current command ($\pm 8\text{V}/\text{max. current command}$)</td> </tr> <tr> <td>5</td> <td colspan="2">Command speed ($\pm 8/\text{max. speed}$)</td> </tr> <tr> <td>6</td> <td colspan="2">Droop pulses ($\pm 10\text{V}/128$ pulses)</td> </tr> <tr> <td>7</td> <td colspan="2">Droop pulses ($\pm 10\text{V}/2048$ pulses)</td> </tr> <tr> <td>8</td> <td colspan="2">Droop pulses ($\pm 10\text{V}/8192$ pulses)</td> </tr> <tr> <td>9</td> <td colspan="2">Droop pulses ($\pm 10\text{V}/32768$ pulses)</td> </tr> <tr> <td>A</td> <td colspan="2">Droop pulses ($\pm 10\text{V}/131072$ pulses)</td> </tr> <tr> <td>B</td> <td colspan="2">Bus voltage ($+8\text{V}/400\text{V}$)</td> </tr> </tbody> </table>	Setting	Analog monitor output selection		ch1	ch2	0	Servo motor speed ($\pm 8\text{V}/\text{max. speed}$)		1	Torque ($\pm 8\text{V}/\text{max. torque}$)		2	Motor speed ($+8\text{V}/\text{max. speed}$)		3	Torque ($+8\text{V}/\text{max. torque}$)		4	Current command ($\pm 8\text{V}/\text{max. current command}$)		5	Command speed ($\pm 8/\text{max. speed}$)		6	Droop pulses ($\pm 10\text{V}/128$ pulses)		7	Droop pulses ($\pm 10\text{V}/2048$ pulses)		8	Droop pulses ($\pm 10\text{V}/8192$ pulses)		9	Droop pulses ($\pm 10\text{V}/32768$ pulses)		A	Droop pulses ($\pm 10\text{V}/131072$ pulses)		B	Bus voltage ($+8\text{V}/400\text{V}$)		0001		Refer to name and function column.
	Setting	Analog monitor output selection																																													
ch1		ch2																																													
0	Servo motor speed ($\pm 8\text{V}/\text{max. speed}$)																																														
1	Torque ($\pm 8\text{V}/\text{max. torque}$)																																														
2	Motor speed ($+8\text{V}/\text{max. speed}$)																																														
3	Torque ($+8\text{V}/\text{max. torque}$)																																														
4	Current command ($\pm 8\text{V}/\text{max. current command}$)																																														
5	Command speed ($\pm 8/\text{max. speed}$)																																														
6	Droop pulses ($\pm 10\text{V}/128$ pulses)																																														
7	Droop pulses ($\pm 10\text{V}/2048$ pulses)																																														
8	Droop pulses ($\pm 10\text{V}/8192$ pulses)																																														
9	Droop pulses ($\pm 10\text{V}/32768$ pulses)																																														
A	Droop pulses ($\pm 10\text{V}/131072$ pulses)																																														
B	Bus voltage ($+8\text{V}/400\text{V}$)																																														
23	*OP1	<p>Optional function 1</p> <p>Used to make the servo forced stop function invalid.</p> <div style="display: flex; align-items: center;"> <div style="border: 1px solid black; padding: 2px; margin-right: 5px;">0</div> <div style="border: 1px solid black; padding: 2px; margin-right: 5px;">0</div> <div style="border: 1px solid black; padding: 2px; margin-right: 5px;">0</div> <div style="border: 1px solid black; padding: 2px; margin-right: 5px;">0</div> </div>  <p>Servo forced stop selection</p> <p>0: Valid (Use the forced stop signal (EM1).)</p> <p>1: Invalid (Do not use the forced stop signal (EM1).)</p> <p style="text-align: center;">Automatically switched on internally</p>	0000		Refer to name and function column.																																										

5. PARAMETERS

Classification	No.	Symbol	Name and Function	Initial Value	Unit	Setting Range
Adjustment parameters	24	*OP2	<p>Optional function 2 Used to select slight vibration suppression control and motor-less operation</p> <div style="border: 1px solid black; display: inline-block; padding: 2px;">0 0</div> <p>— Slight vibration suppression control selection Made valid when auto tuning selection is set to "0002" in parameter No.8. Used to suppress vibration at a stop. 0: Invalid 1: Valid</p> <p>— Motor-less operation selection 0: Invalid 1: Makes motor-less operation valid. When motor-less operation is made valid, signal output or status display can be provided as if the servo motor is running actually in response to the servo system controller command, without the servo motor being connected. Motor-less operation is performed as in the motor-less operation using the servo configuration software. (Refer to (d), (1) in Section 4.4.)</p>	0000		Refer to name and function column.
	25	LPF	<p>Low-pass filter/adaptive vibration suppression control Used to select the low-pass filter and adaptive vibration suppression control. (Refer to Chapter 7.)</p> <div style="border: 1px solid black; display: inline-block; padding: 2px;"> 0</div> <p>— Low-pass filter selection 0: Valid (Automatic adjustment) 1: Invalid When you choose "valid", $\frac{VG2 \text{ setting} \times 10}{2\pi(1+GD2 \text{ setting} \times 0.1)}$ [Hz] bandwidth filter is set automatically.</p> <p>— Adaptive vibration suppression control selection 0: Invalid 1: Valid Machine resonance frequency is always detected and the filter is generated in response to resonance to suppress machine vibration. 2: Held The characteristics of the filter generated so far are held, and detection of machine resonance is stopped.</p> <p>— Adaptive vibration suppression control sensitivity selection Used to select the sensitivity of machine resonance detection. 0: Normal 1: Large sensitivity</p>	0000		Refer to name and function column.
	26		For manufacturer setting Must not be changed.	0		

5. PARAMETERS

Classification	No.	Symbol	Name and Function	Initial Value	Unit	Setting Range
Expansion parameters	27	MO1	Analog monitor 1 offset Used to set the offset voltage of the analog monitor ch1 output.	0	mV	−999 to 999
	28	MO2	Analog monitor 2 offset Used to set the offset voltage of the analog monitor ch2 output.	0	mV	−999 to 999
	29		For manufacturer setting Must not be changed.	0001		
	30	ZSP	Zero speed Used to set the output range of the zero speed signal (ZSP).	50	r/min	0 to 10000
	31	ERZ	Error excessive alarm level Used to set the output range of the error excessive alarm.	80	0.1rev	0 to 1000
	32	OP5	Optional function 5 Used to select PI-PID control switch-over. <div style="border: 1px solid black; display: inline-block; padding: 2px;">0 0 0</div> <ul style="list-style-type: none"> PI-PID control switch over selection 0: PI control is always valid. 1: Droop-based switching is valid in position control mode (refer to parameter No. 34). 2: PID control is always valid. 	0000		Refer to name and function column.
	33	*OP6	Option function 6 Used to select the serial communication baudrate, serial communication response delay time setting and encoder output pulse setting. <div style="border: 1px solid black; display: inline-block; padding: 2px;">0</div> <ul style="list-style-type: none"> Serial communication baudrate selection 0: 9600[bps] 1: 19200[bps] 2: 38400[bps] 3: 57600[bps] Serial communication response delay time 0: Invalid 1: Valid, replay sent in 800μs or more Encoder output pulse setting selection (refer to parameter No.38) 0: Output pulse setting 1: Division ratio setting 	0000		Refer to name and function column.
	34	VPI	PI-PID control switch-over position droop Used to set the position droop value (number of pulses) at which PI control is switched over to PID control. Set "0001" in parameter No. 32 to make this function valid.	0	pulse	0 to 50000
	35		For manufacturer setting Must not be changed.	0		
36	VDC	Speed differential compensation Used to set the differential compensation.	980		0 to 1000	
37		For manufacturer setting Must not be changed.	0010			

5. PARAMETERS

Classification	No.	Symbol	Name and Function	Initial Value	Unit	Setting Range																															
Expansion parameters	38	*ENR	<p>Encoder output pulses</p> <p>Used to set the encoder pulses (A-phase, B-phase) output by the servo amplifier.</p> <p>Set the value 4 times greater than the A-phase and B-phase pulses.</p> <p>You can use parameter No.33 to choose the output pulse setting or output division ratio setting.</p> <p>The number of A-phase and B-phase pulses actually output is 1/4 times greater than the preset number of pulses.</p> <p>The maximum output frequency is 1.3Mpps (after multiplication by 4). Use this parameter within this range.</p> <ul style="list-style-type: none"> For output pulse designation Set "0□□□" (initial value) in parameter No. 33. Set the number of pulses per servo motor revolution. Output pulse = set value [pulses/rev] At the setting of 5600, for example, the actually output A-phase and B-phase pulses are as indicated below: $\text{A-phase and B-phase output pulses} = \frac{5600}{4} = 1400[\text{pulse}]$ For output division ratio setting Set "1□□□" in parameter No. 33. The number of pulses per servo motor revolution is divided by the set value. $\text{Output pulse} = \frac{\text{Resolution per servo motor revolution}}{\text{Set value}} [\text{pulses/rev}]$ At the setting of 8, for example, the actually output A-phase and B-phase pulses are as indicated below: $\text{A-phase and B-phase output pulses} = \frac{131072}{8} \cdot \frac{1}{4} = 4096[\text{pulse}]$ 	4000	pulse/rev	1 to 65535																															
	39		<p>For manufacturer setting</p> <p>Must not be changed.</p>	0																																	
	40	*BLK	<p>Parameter blocks</p> <table border="1" style="width: 100%; border-collapse: collapse;"> <thead> <tr> <th>Setting</th> <th>Operation</th> <th>Operation from controller</th> <th>Operation from servo configuration</th> </tr> </thead> <tbody> <tr> <td rowspan="2">0000 (initial value)</td> <td>Reference</td> <td rowspan="2">Parameter No.1 to 39</td> <td rowspan="2">Parameter No.1 to 11 · 40</td> </tr> <tr> <td>Write</td> </tr> <tr> <td rowspan="2">000A</td> <td>Reference</td> <td rowspan="2">Parameter No.1 to 39</td> <td rowspan="2">Parameter No.40</td> </tr> <tr> <td>Write</td> </tr> <tr> <td rowspan="2">000C</td> <td>Reference</td> <td rowspan="2">Parameter No.1 to 39</td> <td>Parameter No.1 to 40</td> </tr> <tr> <td>Write</td> <td>Parameter No.1 to 11 · 40</td> </tr> <tr> <td rowspan="2">000E</td> <td>Reference</td> <td rowspan="2">Parameter No.1 to 39</td> <td>Parameter No.1 to 40</td> </tr> <tr> <td>Write</td> <td>Parameter No.1 to 40</td> </tr> <tr> <td rowspan="2">100E</td> <td>Reference</td> <td rowspan="2">Parameter No.1 to 39</td> <td>Parameter No.1 to 40</td> </tr> <tr> <td>Write</td> <td>Parameter No.40</td> </tr> </tbody> </table>	Setting	Operation	Operation from controller	Operation from servo configuration	0000 (initial value)	Reference	Parameter No.1 to 39	Parameter No.1 to 11 · 40	Write	000A	Reference	Parameter No.1 to 39	Parameter No.40	Write	000C	Reference	Parameter No.1 to 39	Parameter No.1 to 40	Write	Parameter No.1 to 11 · 40	000E	Reference	Parameter No.1 to 39	Parameter No.1 to 40	Write	Parameter No.1 to 40	100E	Reference	Parameter No.1 to 39	Parameter No.1 to 40	Write	Parameter No.40	0000	
Setting	Operation	Operation from controller	Operation from servo configuration																																		
0000 (initial value)	Reference	Parameter No.1 to 39	Parameter No.1 to 11 · 40																																		
	Write																																				
000A	Reference	Parameter No.1 to 39	Parameter No.40																																		
	Write																																				
000C	Reference	Parameter No.1 to 39	Parameter No.1 to 40																																		
	Write		Parameter No.1 to 11 · 40																																		
000E	Reference	Parameter No.1 to 39	Parameter No.1 to 40																																		
	Write		Parameter No.1 to 40																																		
100E	Reference	Parameter No.1 to 39	Parameter No.1 to 40																																		
	Write		Parameter No.40																																		

5. PARAMETERS

5.3 Analog output

The servo status can be output to two channels in terms of voltage. Use this function when using an ammeter to monitor the servo status or synchronizing the torque/speed with the other servo.

(1) Setting

Change the following digits of parameter No.22:

Parameter No. 22

0		0	
---	--	---	--

— Analog monitor ch2 output selection
(Signal output to across MO2-LG)

— Analog monitor ch1 output selection
(Signal output to across MO1-LG)

Parameters No.27 and 28 can be used to set the offset voltages to the analog output voltages. The setting range is between -999 and 999mV .

Parameter No.	Description	Setting range [mV]
27	Used to set the offset voltage for the analog monitor ch1 output.	-999 to 999
28	Used to set the offset voltage for the analog monitor ch2 output.	

5. PARAMETERS

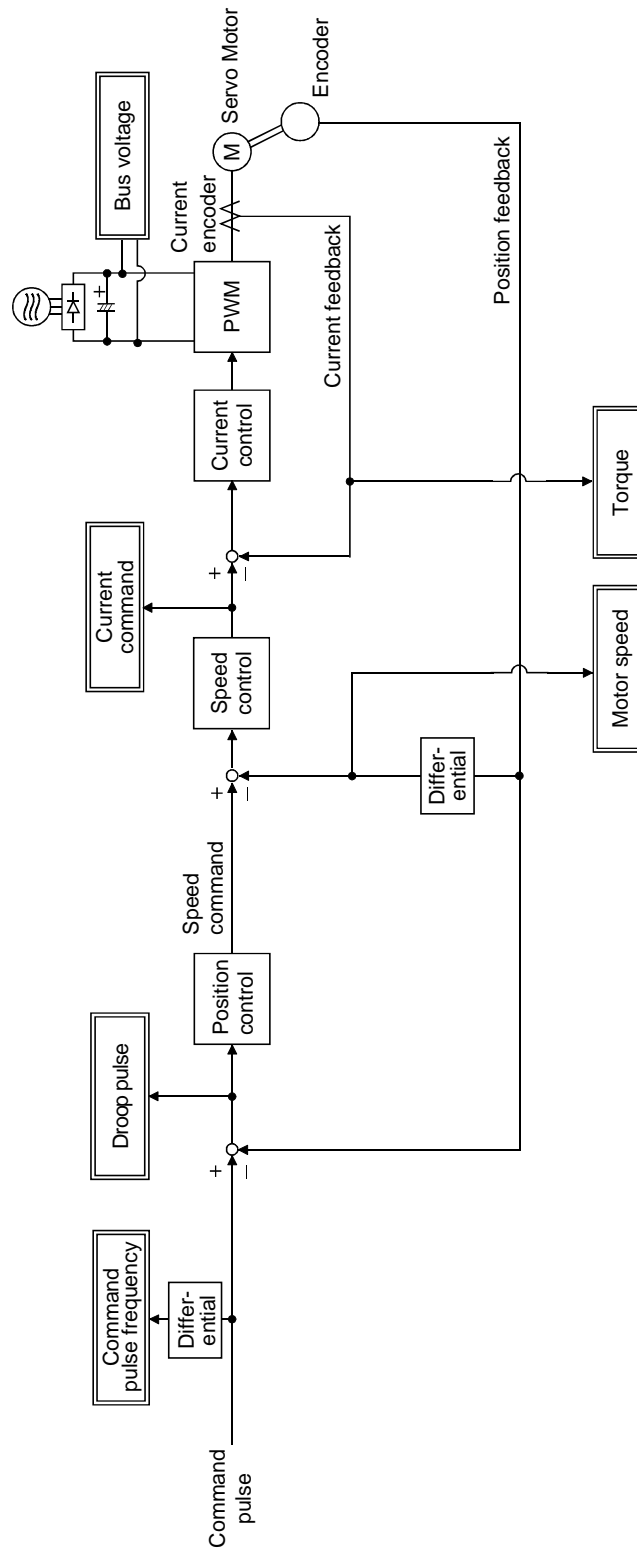
(2) Setting description

The servo amplifier is factory-set to output the motor speed to ch1 and the generated torque to ch2. The setting can be changed as listed below by changing the parameter No.22 value:
Refer to (3) in this section for the measurement point.

Setting	Output item	Description	Setting	Output item	Description
0	Motor speed		6	Droop pulses ($\pm 10\text{V}/128\text{pulse}$)	
1	Torque		7	Droop pulses ($\pm 10\text{V}/2048\text{pulse}$)	
2	Motor speed		8	Droop pulses ($\pm 10\text{V}/8192\text{pulse}$)	
3	Torque		9	Droop pulses ($\pm 10\text{V}/32768\text{pulse}$)	
4	Current command (Torque command)		A	Droop pulses ($\pm 10\text{V}/131072\text{pulse}$)	
5	Command pulse frequency		B	Bus voltage	

5. PARAMETERS

(3) Analog monitor block diagram



5. PARAMETERS

5.4 Replacement of MR-J2-□B by MR-J2S-□B

When using the MR-J2S-□B on the servo system controller peripheral software incompatible with the MR-J2S-□B, you cannot use some parameter functions. Read this section carefully and set appropriate values in the parameters.

5.4.1 Main modifications made to the parameters

The following table lists the parameters whose settings have been modified from the MR-J2-□B or added to the MR-J2S-□B. The peripheral software of the servo system controller may not be compatible with some parameters whose settings are different or have been added. For details, refer to the servo system controller manual.

Parameter No.	Code	Name	Main modifications/additions	(Note) Setting from peripheral software of conventional servo system controller
6	FBP	Feedback pulse number	The encoder resolution of the compatible motor changed to 131072 pulses/rev.	Setting cannot be made. The resolution is 16384 pulses/rev.
8	ATU	Auto tuning	Gain adjustment modes were increased.	Setting can be made but the added modes cannot be used.
9	RSP	Servo response	The response level setting range was increased to meet the enhanced response.	Some response levels cannot be set.
18	NCH	Machine resonance suppression filter 1 (Notch filter)	The machine resonance suppression filter (notch filter) setting range was increased.	Some filter frequencies cannot be set.
20	INP	In-position range	The setting unit became the feedback pulse unit in parameter No. 6.	Setting can be made.
22	MOD	Analog monitor output	The data that may be output by analog monitor was added.	Setting can be made but the bus voltage cannot be set.
25	LPF	Low-pass filter/adaptive vibration suppression control	The low-pass filter and adaptive vibration suppression control functions were newly added.	Setting can be made.
31	ERZ	Error excessive alarm level	The setting unit was changed in response to the enhanced resolution (131072 pulses/rev) of the encoder.	Setting can be made but the setting unit is [0.1 rev].
33	OP6	Optional function 6	The communication baudrate with the personal computer was changed to max. 57600bps.	Setting cannot be made.
38	ENR	Encoder output pulses	The encoder feedback pulses can be output from the servo amplifier. These pulses can be set.	Setting cannot be made.

Note. As of January, 2000

5. PARAMETERS

5.4.2 Explanation of the modified parameters

(1) Feedback pulse number (parameter No. 6)

This parameter was newly added to the MR-J2S-□B. If the peripheral software of the servo system controller is not compatible with the MR-J2S-□B, this parameter setting cannot be changed. When the servo motor used is the HC-KFS or HC-MFS, the feedback pulse number is 8192 pulses/rev, and when it is the HC-SFS, HC-RFS or HC-UFS, the feedback pulse number is 16384 pulses/rev.

(2) Auto tuning (parameter No. 8)

The set values of this parameter were newly added to the MR-J2S-□B. If the peripheral software of the servo system controller is not compatible with the MR-J2S-□B, the parameter settings are as indicated below. The auto tuning mode 2 and manual mode 1 cannot be used.

0 0 0 □

Gain adjustment mode selection
(For details, refer to Section 6.1.1.)

Set value	Gain adjustment mode	Description
0	Interpolation mode	Fixes position control gain 1 (parameter No. 13).
1	Auto tuning mode 1	Ordinary auto tuning.
2	Manual mode 2	Manual adjustment of all gains.

(3) Servo response (parameter No. 9)

The set values of this parameter were newly added to the MR-J2S-□B. In addition, the machine resonance frequency guidelines corresponding to the set values were changed. If the peripheral software of the servo system controller is not compatible with the MR-J2S-□B, the parameter settings are as indicated below.

0 0 0 □

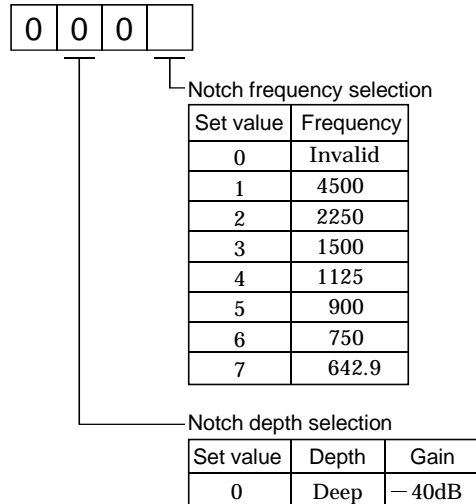
Auto tuning response level selection

Set value	Response level	Machine resonance frequency guideline
1	Low response	15Hz
2		20Hz
3		25Hz
4		30Hz
5	Middle response	35Hz
6		45Hz
7		55Hz
8		70Hz
9	High response	85Hz
A		105Hz
B		130Hz
C		160Hz

5. PARAMETERS

(4) Machine resonance suppression filter 1 (parameter No. 18)

The settings of this parameter were changed for the MR-J2S-□B. If the peripheral software of the servo system controller is not compatible with the MR-J2S-□B, the parameter settings are as indicated below. The notch depth is -40dB .



(5) In-position range (parameter No. 20)

The setting of this parameter was changed for the MR-J2S-□B. The setting unit was changed from the conventional input pulse unit to the feedback pulse unit. For details, refer to Section 5.2.

(6) Analog monitor output (parameter No. 22)

The setting of this parameter was changed for the MR-J2S-□B. "Bus voltage" is a new choice, but you cannot select it if the peripheral software of the servo system controller is not compatible with the MR-J2S-□B.

Also, the droop pulse output is the encoder resolution unit of the actual motor. For details, refer to Section 5.3.

(7) Low-pass filter/adaptive vibration suppression control (parameter No. 25)

This parameter was newly added to the MR-J2S-□B. If the peripheral software of the servo system controller is not compatible with the MR-J2S-□B, this parameter setting cannot be changed. Hence, the low-pass filter is "valid" and the adaptive vibration suppression control is "invalid". For details, refer to Sections 7.3 and 7.4.

(8) Error excessive alarm level (parameter No. 31)

The setting of this parameter was changed for the MR-J2S-□B. The setting unit was changed from conventional [k pulse] to [0.1rev]. If the peripheral software of the servo system controller is not compatible with the MR-J2S-□B, the unit is set as [0.1rev] to the MR-J2S-□B even when the on-screen setting unit is [k pulse]. For details, refer to Section 5.2.

5. PARAMETERS

(9) Optional function 6 (parameter No. 33)

This parameter was newly added to the MR-J2S-□B. If the peripheral software of the servo system controller is not compatible with the MR-J2S-□B, this parameter setting cannot be changed. Hence, the serial communication baudrate is "9600 [bps]", the serial communication response ready time is "invalid", and the encoder output pulse setting selection is "output pulse setting". For details, refer to Section 5.2.

(10) Encoder output pulse (parameter No. 38)

This parameter was newly added to the MR-J2S-□B. If the peripheral software of the servo system controller is not compatible with the MR-J2S-□B, this parameter setting cannot be changed.

6. GENERAL GAIN ADJUSTMENT

6. GENERAL GAIN ADJUSTMENT

6.1 Different adjustment methods

6.1.1 Adjustment on a single servo amplifier

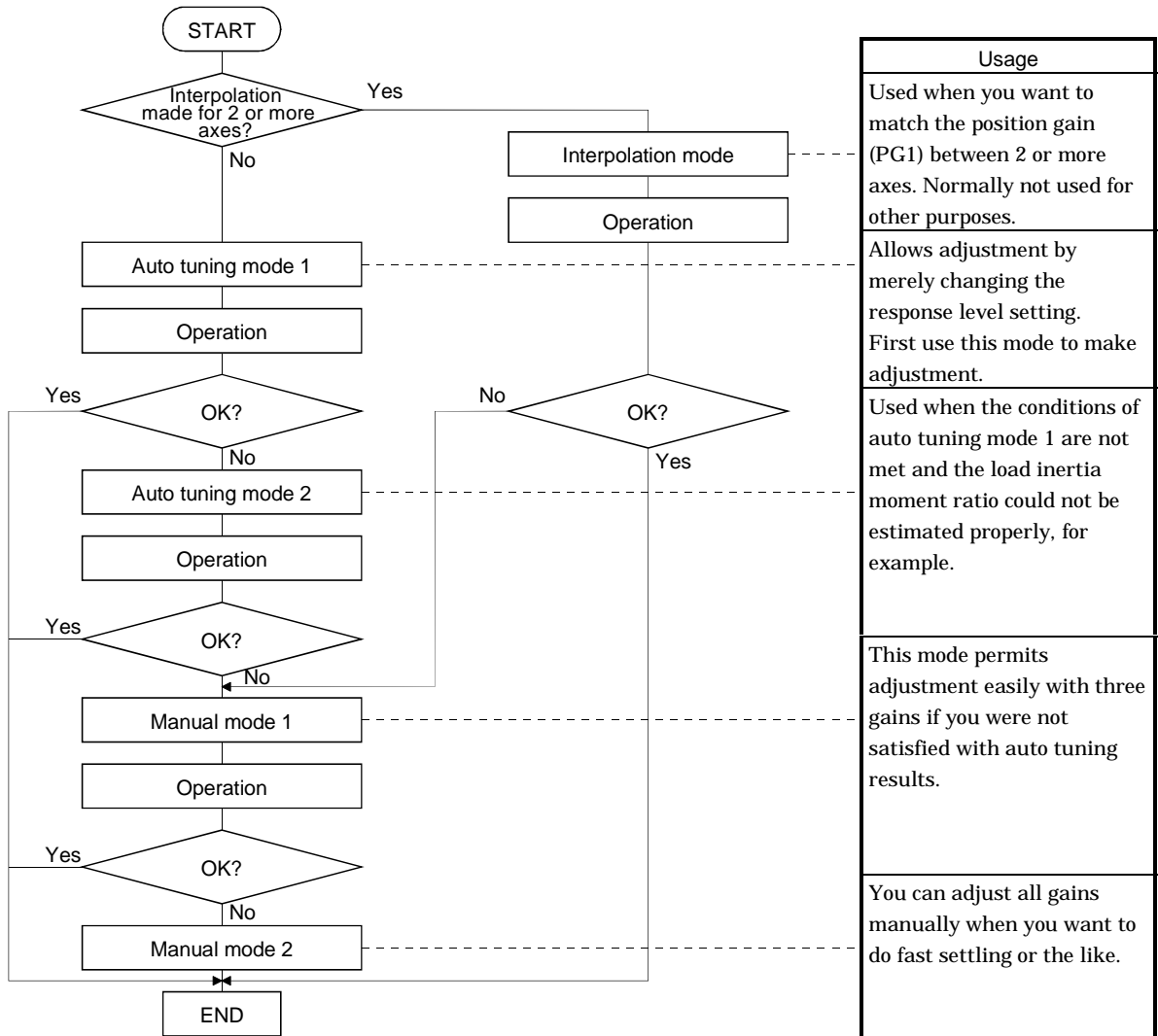
The gain adjustment in this section can be made on a single servo amplifier. For gain adjustment, first execute auto tuning mode 1. If you are not satisfied with the results, execute auto tuning mode 2, manual mode 1 and manual mode 2 in this order.

(1) Gain adjustment mode explanation

Gain adjustment mode	Parameter No. 8 setting	Estimation of load inertia moment ratio	Automatically set parameters	Manually set parameters
Auto tuning mode 1 (initial value)	0001	Always estimated	GD2 (parameter No. 12) PG1 (parameter No. 13) VG1 (parameter No. 14) PG2 (parameter No. 15) VG2 (parameter No. 16) VIC (parameter No. 17)	RSP (parameter No. 9)
Auto tuning mode 2	0003	Fixed to parameter No. 12 value	PG1 (parameter No. 13) VG1 (parameter No. 14) PG2 (parameter No. 15) VG2 (parameter No. 16) VIC (parameter No. 17)	GD2 (parameter No. 12) RSP (parameter No. 9)
Manual mode 1	0004		VG1 (parameter No. 14) PG2 (parameter No. 15)	GD2 (parameter No. 12) PG1 (parameter No. 13) VG2 (parameter No. 16) VIC (parameter No. 17)
Manual mode 2	0002			GD2 (parameter No. 12) PG1 (parameter No. 13) VG1 (parameter No. 14) PG2 (parameter No. 15) VG2 (parameter No. 16) VIC (parameter No. 17)
Interpolation mode	0000	Always estimated	GD2 (parameter No. 12) PG2 (parameter No. 15) VG2 (parameter No. 16) VIC (parameter No. 17)	PG1 (parameter No. 13) VG1 (parameter No. 14)

6. GENERAL GAIN ADJUSTMENT

(2) Adjustment sequence and mode usage



6. GENERAL GAIN ADJUSTMENT

6.1.2 Adjustment using servo configuration software

POINT
<ul style="list-style-type: none">When using the machine analyzer, set the servo amplifier's axis number for "F". (Refer to Section 3.11.)

This section gives the functions and adjustment that may be performed by using the servo amplifier with the servo configuration software which operates on a personal computer.

Function	Description	Adjustment
Machine analyzer	With the machine and servo motor coupled, the characteristic of the mechanical system can be measured by giving a random vibration command from the personal computer to the servo and measuring the machine response.	<ul style="list-style-type: none">You can grasp the machine resonance frequency and determine the notch frequency of the machine resonance suppression filter.You can automatically set the optimum gains in response to the machine characteristic. This simple adjustment is suitable for a machine which has large machine resonance and does not require much settling time.
Gain search	Executing gain search under to-and-fro positioning command measures settling characteristic while simultaneously changing gains, and automatically searches for gains which make settling time shortest.	<ul style="list-style-type: none">You can automatically set gains which make positioning settling time shortest.
Machine simulation	Response at positioning settling of a machine can be simulated from machine analyzer results on personal computer.	<ul style="list-style-type: none">You can optimize gain adjustment and command pattern on personal computer.

6. GENERAL GAIN ADJUSTMENT

6.2 Auto tuning

6.2.1 Auto tuning mode

The servo amplifier has a real-time auto tuning function which estimates the machine characteristic (load inertia moment ratio) in real time and automatically sets the optimum gains according to that value. This function permits ease of gain adjustment of the servo amplifier.

(1) Auto tuning mode 1

The servo amplifier is factory-set to the auto tuning mode 1.

In this mode, the load inertia moment ratio of a machine is always estimated to set the optimum gains automatically.

The following parameters are automatically adjusted in the auto tuning mode 1.

Parameter No.	Abbreviation	Name
12	GD2	Ratio of load inertia moment to servo motor inertia moment
13	PG1	Position control gain 1
14	VG1	Speed control gain 1
15	PG2	Position control gain 2
16	VG2	Speed control gain 2
17	VIC	Speed integral compensation

POINT
<ul style="list-style-type: none">▪ The auto tuning mode 1 may not be performed properly if the following conditions are not satisfied.<ul style="list-style-type: none">▪ Time to reach 2000r/min is the acceleration/deceleration time constant of 5s or less.▪ Speed is 150r/min or higher.▪ The ratio of load inertia moment to motor inertia moment is not more than 100 times.▪ The acceleration/deceleration torque is 10% or more of the rated torque.▪ Under operating conditions which will impose sudden disturbance torque during acceleration/deceleration or on a machine which is extremely loose, auto tuning may not function properly, either. In such cases, use the auto tuning mode 2 or manual mode 1 • 2 to make gain adjustment.

(2) Auto tuning mode 2

Use the auto tuning mode 2 when proper gain adjustment cannot be made by auto tuning mode 1. Since the load inertia moment ratio is not estimated in this mode, set the value of a correct load inertia moment ratio (parameter No. 12).

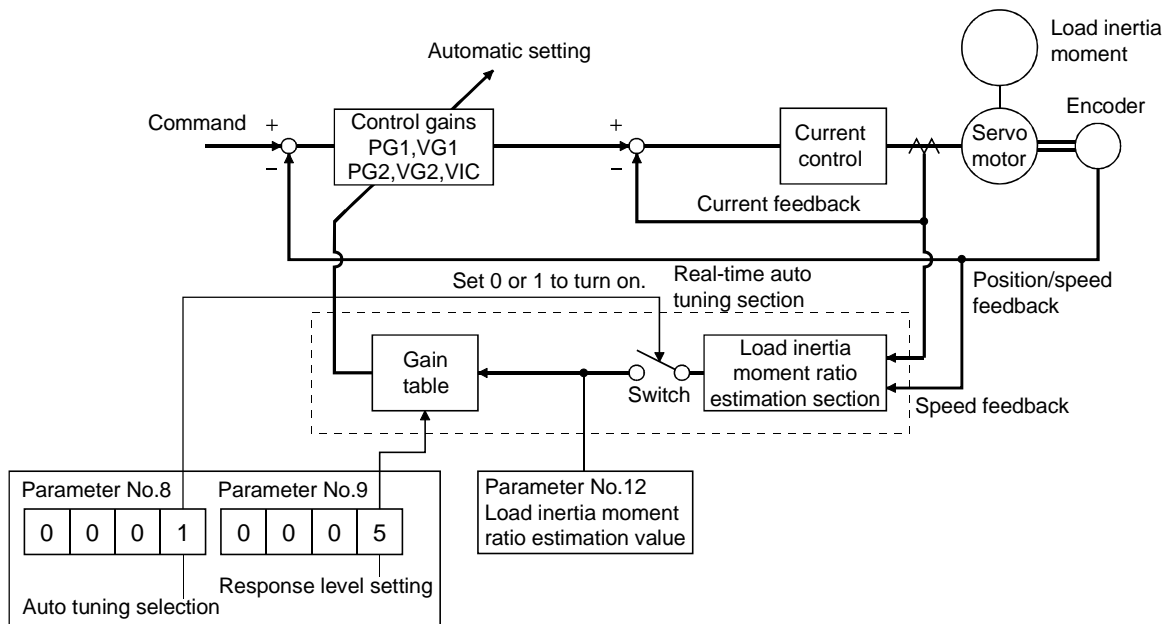
The following parameters are automatically adjusted in the auto tuning mode 2.

Parameter No.	Abbreviation	Name
13	PG1	Position control gain 1
14	VG1	Speed control gain 1
15	PG2	Position control gain 2
16	VG2	Speed control gain 2
17	VIC	Speed integral compensation

6. GENERAL GAIN ADJUSTMENT

6.2.2 Auto tuning mode operation

The block diagram of real-time auto tuning is shown below.



When a servo motor is accelerated/decelerated, the load inertia moment ratio estimation section always estimates the load inertia moment ratio from the current and speed of the servo motor. The results of estimation are written to parameter No. 12 (load inertia moment ratio). These results can be confirmed on the status display screen of the servo configuration software section.

If the value of the load inertia moment ratio is already known or if estimation cannot be made properly, choose the "auto tuning mode 2" (parameter No.8:0003) to stop the estimation of the load inertia moment ratio (Switch in above diagram turned off), and set the load inertia moment ratio (parameter No. 12) manually.

From the preset load inertia moment ratio (parameter No. 12) value and response level (parameter No. 9), the optimum control gains are automatically set on the basis of the internal gain table.

The auto tuning results are saved in the EEP-ROM of the servo amplifier every 6 minutes since power-on. At power-on, auto tuning is performed with the value of each control gain saved in the EEP-ROM being used as an initial value.

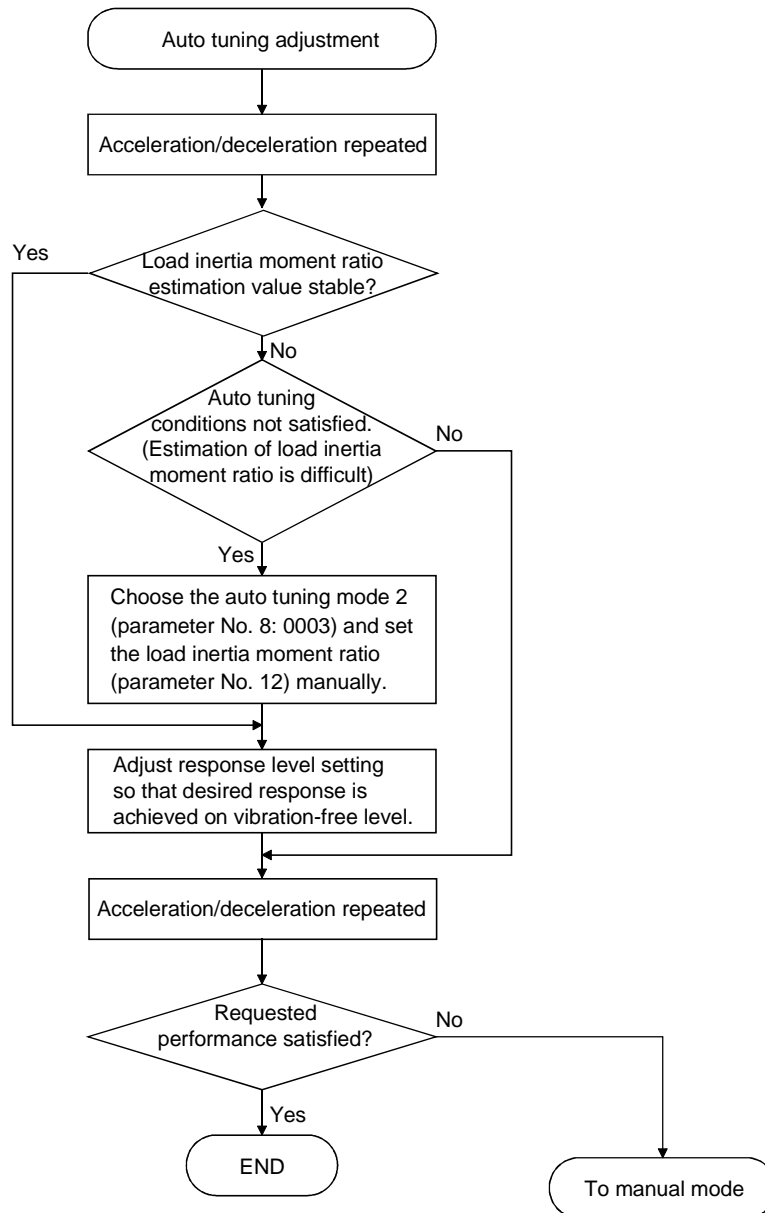
POINT
<ul style="list-style-type: none"> If sudden disturbance torque is imposed during operation, the estimation of the inertia moment ratio may malfunction temporarily. In such a case, choose the "auto tuning mode 2" (parameter No. 8: 0003) and set the correct load inertia moment ratio in parameter No. 12.

6. GENERAL GAIN ADJUSTMENT

6.2.3 Adjustment procedure by auto tuning

Since auto tuning is made valid before shipment from the factory, simply running the servo motor automatically sets the optimum gains that match the machine. Merely changing the response level setting value as required completes the adjustment. The adjustment procedure is as follows.

(1) Basic procedure

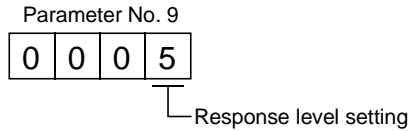


6. GENERAL GAIN ADJUSTMENT

6.2.4 Response level setting in auto tuning mode

Set the response (parameter No.9) of the whole servo system. As the response level setting is increased, the trackability and settling time for a command decreases, but a too high response level will generate vibration. Hence, make setting until desired response is obtained within the vibration-free range.

If the response level setting cannot be increased up to the desired response because of machine resonance beyond 100Hz, adaptive vibration suppression control (parameter No. 25) or machine resonance suppression filter (parameter No. 18) may be used to suppress machine resonance. Suppressing machine resonance may allow the response level setting to increase. Refer to Section 7.2, 7.3 for adaptive vibration suppression control and machine resonance suppression filter.



Response level setting	Machine characteristic		
	Machine rigidity	Machine resonance frequency guideline	Guideline of corresponding machine
1	Low ↑	15Hz	
2		20Hz	
3		25Hz	
4		30Hz	
5		35Hz	
6	Middle	45Hz	
7		55Hz	
8		70Hz	
9		85Hz	
A		105Hz	
B		130Hz	
C	↓ High	160Hz	
D		200Hz	
E		240Hz	
F		300Hz	

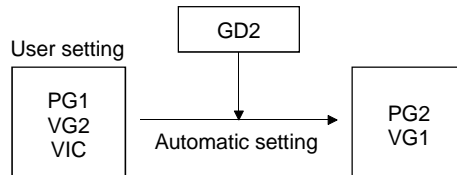
6. GENERAL GAIN ADJUSTMENT

6.3 Manual mode 1 (simple manual adjustment)

If you are not satisfied with the adjustment of auto tuning, you can make simple manual adjustment with three parameters.

6.3.1 Operation of manual mode 1

In this mode, setting the three gains of position control gain 1 (PG1), speed control gain 2 (VG2) and speed integral compensation (VIC) automatically sets the other gains to the optimum values according to these gains.



Therefore, you can adjust the model adaptive control system in the same image as the general PI control system (position gain, speed gain, speed integral time constant). Here, the position gain corresponds to PG1, the speed gain to VG2 and the speed integral time constant to VIC. When making gain adjustment in this mode, set the load inertia moment ratio (parameter No. 12) correctly.

6.3.2 Adjustment by manual mode 1

POINT
<ul style="list-style-type: none"> If machine resonance occurs, adaptive vibration suppression control (parameter No. 25) or machine resonance suppression filter (parameter No. 18) may be used to suppress machine resonance. (Refer to Section 7.2, 7.3.)

(1) For speed control

(a) Parameters

The following parameters are used for gain adjustment:

Parameter No.	Abbreviation	Name
12	GD2	Ratio of load inertia moment to servo motor inertia moment
16	VG2	Speed control gain 2
17	VIC	Speed integral compensation

(b) Adjustment procedure

Step	Operation	Description
1	Set an estimated value to the ratio of load inertia moment to servo motor inertia moment (parameter No. 12).	
2	Increase the speed control gain 2 (parameter No. 16) within the vibration- and unusual noise-free range, and return slightly if vibration takes place.	Increase the speed control gain.
3	Decrease the speed integral compensation (parameter No. 17) within the vibration-free range, and return slightly if vibration takes place.	Decrease the time constant of the speed integral compensation.
4	If the gains cannot be increased due to mechanical system resonance or the like and the desired response cannot be achieved, response may be increased by suppressing resonance with adaptive vibration suppression control or machine resonance suppression filter and then executing steps 2 and 3.	Suppression of machine resonance Refer to Section 7.2, 7.3.
5	While checking the settling characteristic and rotational status, fine-adjust each gain.	Fine adjustment

6. GENERAL GAIN ADJUSTMENT

(c) Adjustment description

1) Speed control gain 2 (parameter No. 16)

This parameter determines the response level of the speed control loop. Increasing this value enhances response but a too high value will make the mechanical system liable to vibrate. The actual response frequency of the speed loop is as indicated in the following expression:

$$\text{Speed loop response frequency(Hz)} = \frac{\text{Speed control gain setting}}{(1 + \text{ratio of load inertia moment to servo motor inertia moment}) \times 2\pi}$$

2) Speed integral compensation (parameter No. 17)

To eliminate stationary deviation against a command, the speed control loop is under proportional integral control. For the speed integral compensation, set the time constant of this integral control. Increasing the setting lowers the response level. However, if the load inertia moment ratio is large or the mechanical system has any vibratory element, the mechanical system is liable to vibrate unless the setting is increased to some degree. The guideline is as indicated in the following expression:

$$\text{Speed integral composition setting (ms)} \geq \frac{2000 \text{ to } 3000}{\text{Speed control gain 2 setting} / (1 + \text{ratio of load inertia moment to servo motor inertia moment})}$$

(2) For position control

(a) Parameters

The following parameters are used for gain adjustment:

Parameter No.	Abbreviation	Name
12	GD2	Ratio of load inertia moment to servo motor inertia moment
13	PG1	Position control gain 1
16	VG2	Speed control gain 2
17	VIC	Speed integral compensation

(b) Adjustment procedure

Step	Operation	Description
1	Set an estimated value to the ratio of load inertia moment to servo motor inertia moment (parameter No. 12).	
2	Set a slightly smaller value to the position control gain 1 (parameter No. 13).	
3	Increase the speed control gain 2 (parameter No. 16) within the vibration- and unusual noise-free range, and return slightly if vibration takes place.	Increase the speed control gain.
4	Decrease the speed integral compensation (parameter No. 17) within the vibration-free range, and return slightly if vibration takes place.	Decrease the time constant of the speed integral compensation.
5	Increase the position control gain 1 (parameter No. 13).	Increase the position control gain.
6	If the gains cannot be increased due to mechanical system resonance or the like and the desired response cannot be achieved, response may be increased by suppressing resonance with adaptive vibration suppression control or machine resonance suppression filter and then executing steps 3 to 5.	Suppression of machine resonance Refer to Section 7.2 and 7.3.
7	While checking the settling characteristic and rotational status, fine-adjust each gain.	Fine adjustment

6. GENERAL GAIN ADJUSTMENT

(c) Adjustment description

1) Position control gain 1 (parameter No. 13)

This parameter determines the response level of the position control loop. Increasing position control gain 1 improves trackability to a position command but a too high value will make overshooting liable to occur at the time of settling.

$$\text{Position control gain 1 guideline} \leq \frac{\text{Speed control gain 2 setting}}{(1 + \text{ratio of load inertia moment to servo motor inertia moment})} \times \left(\frac{1}{3} \text{ to } \frac{1}{5} \right)$$

2) Speed control gain 2 (parameter No. 16)

This parameter determines the response level of the speed control loop. Increasing this value enhances response but a too high value will make the mechanical system liable to vibrate. The actual response frequency of the speed loop is as indicated in the following expression:

$$\text{Speed loop response frequency(Hz)} = \frac{\text{Speed control gain 2 setting}}{(1 + \text{ratio of load inertia moment to servo motor inertia moment}) \times 2\pi}$$

3) Speed integral compensation (parameter No. 17)

To eliminate stationary deviation against a command, the speed control loop is under proportional integral control. For the speed integral compensation, set the time constant of this integral control. Increasing the setting lowers the response level. However, if the load inertia moment ratio is large or the mechanical system has any vibratory element, the mechanical system is liable to vibrate unless the setting is increased to some degree. The guideline is as indicated in the following expression:

$$\text{Speed integral compensation setting(ms)} \geq \frac{2000 \text{ to } 3000}{\text{Speed control gain 2 setting} / (1 + \text{ratio of load inertia moment to servo motor inertia moment set value})}$$

6. GENERAL GAIN ADJUSTMENT

6.4 Interpolation mode

The interpolation mode is used to match the position control gains of the axes when performing the interpolation operation of servo motors of two or more axes for an X-Y table or the like. In this mode, the position control gain 1 and speed control gain 1 which determine command trackability are set manually and the other gain adjusting parameters are set automatically.

(1) Parameter

(a) Automatically adjusted parameters

The following parameters are automatically adjusted by auto tuning.

Parameter No.	Abbreviation	Name
12	GD2	Ratio of load inertia moment to servo motor inertia moment
15	PG2	Position control gain 2
16	VG2	Speed control gain 2
17	VIC	Speed integral compensation

(b) Manually adjusted parameters

The following parameters are adjustable manually.

Parameter No.	Abbreviation	Name
13	PG1	Position control gain 1
14	VG1	Speed control gain 1

(2) Adjustment procedure

Step	Operation	Description
1	Choose the auto tuning mode 1 (parameter No. 8: 0001) and set the machine resonance frequency of the response level to 15Hz 1 (parameter No. 9: 0001).	Select the auto tuning mode 1.
2	During operation, increase the response level setting (parameter No. 9), and return the setting if vibration occurs.	Adjustment in auto tuning mode 1.
3	Check the values of position control gain 1 (parameter No. 13) and speed control gain 1 (parameter No. 14).	Check the upper setting limits.
4	Choose the interpolation mode (parameter No. 8: 0000).	Select the interpolation mode.
5	Using the position control gain 1 value checked in step 3 as the guideline of the upper limit, set in position control gain 1 the value identical to the position loop gain of the axis to be interpolated.	Set position control gain 1.
6	Using the speed control gain 1 value checked in step 3 as the guideline of the upper limit, look at the rotation status and set in speed control gain 1 the value three or more times greater than the position control gain 1 setting.	Set speed control gain 1.
7	Looking at the interpolation characteristic and rotation status, fine-adjust the gains and response level setting.	Fine adjustment.

(3) Adjustment description

(a) Position control gain 1 (parameter No.13)

This parameter determines the response level of the position control loop. Increasing PG1 improves trackability to a position command but a too high value will make overshooting liable to occur at the time of settling. The droop pulse value is determined by the following expression.

$$\text{Droop pulse value (pulse)} = \frac{\text{Rotation speed (r/min)} \times 131,072(\text{pulse})}{\text{Position control gain 1 set value}}$$

(b) Speed control gain 1 (parameter No. 14)

Set the response level of the speed loop of the model. Make setting using the following expression as a guideline.

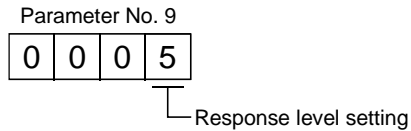
$$\text{Speed control gain 1 setting} \geq \text{Position control gain 1 setting} \times 3$$

6. GENERAL GAIN ADJUSTMENT

6.5 Differences in auto tuning between MELSERVO-J2 and MELSERVO-J2-Super

6.5.1 Response level setting

To meet higher response demands, the MELSERVO-J2-Super series has been changed in response level setting range from the MELSERVO-J2 series. The following table lists comparison of the response level setting.

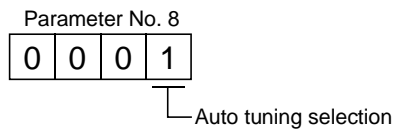


MELSERVO-J2 series		MELSERVO-J2-Super series	
Response level setting	Machine resonance frequency	Response level setting	Machine resonance frequency guideline
1	20Hz	1	15Hz
		2	20Hz
2	40Hz	3	25Hz
		4	30Hz
		5	35Hz
		6	45Hz
3	60Hz	7	55Hz
4	80Hz	8	70Hz
5	100Hz	9	85Hz
5	100Hz	A	105Hz
		B	130Hz
		C	160Hz
		D	200Hz
		E	240Hz
		F	300Hz

Note that because of a slight difference in gain adjustment pattern, response may not be the same if the resonance frequency is set to the same value.

6.5.2 Auto tuning selection

The MELSERVO-J2-Super series has an addition of the load inertia moment ratio fixing mode. It also has the addition of the manual mode 1 which permits manual adjustment with three parameters.



Gain adjustment mode	Auto tuning selection		Remarks
	MELSERVO-J2 series	MELSERVO-J2-Super series	
Interpolation mode	0	0	Position control gain 1 is fixed.
Auto tuning	1	1	Ordinary auto tuning
	2	3	Estimation of load inertia moment ratio stopped. Response level setting valid.
Auto tuning invalid	2	4	Simple manual adjustment
	2	2	Manual adjustment of all gains

7. SPECIAL ADJUSTMENT FUNCTIONS

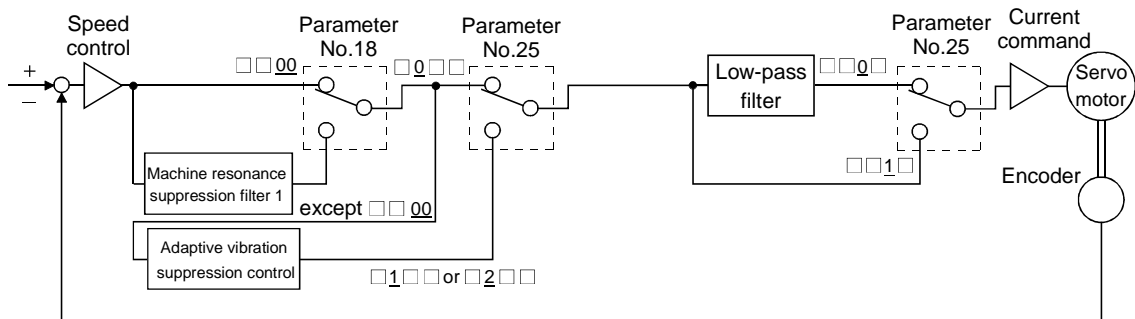
7. SPECIAL ADJUSTMENT FUNCTIONS

POINT

- The functions given in this chapter need not be used generally. Use them if you are not satisfied with the machine status after making adjustment in the methods in Chapter 6.

If a mechanical system has a natural resonance point, increasing the servo system response may cause the mechanical system to produce resonance (vibration or unusual noise) at that resonance frequency. Using the machine resonance suppression filter and adaptive vibration suppression control functions can suppress the resonance of the mechanical system.

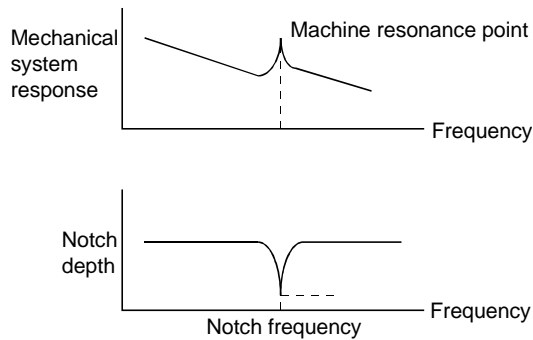
7.1 Function block diagram



7.2 Machine resonance suppression filter

(1) Function

The machine resonance suppression filter is a filter function (notch filter) which decreases the gain of the specific frequency to suppress the resonance of the mechanical system. You can set the gain decreasing frequency (notch frequency) and gain decreasing depth.



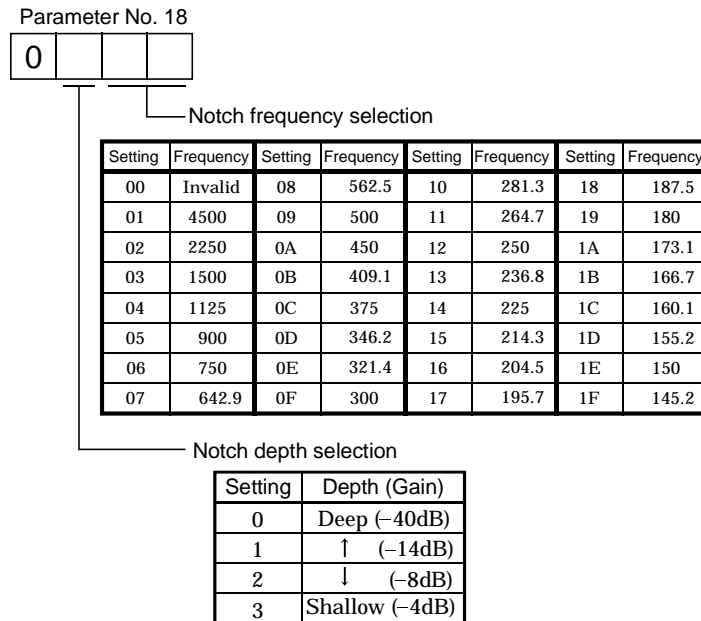
POINT

- The machine resonance suppression filter is a delay factor for the servo system. Hence, vibration may increase if you set a wrong resonance frequency or a too deep notch.

7. SPECIAL ADJUSTMENT FUNCTIONS

(2) Parameters

Set the notch frequency and notch depth of the machine resonance suppression filter 1 (parameter No. 18).



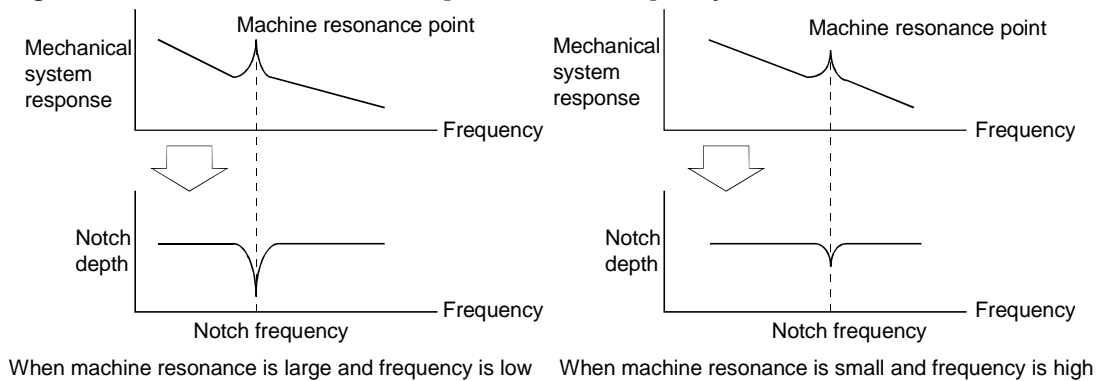
POINT
<ul style="list-style-type: none"> ▪ If the frequency of machine resonance is unknown, decrease the notch frequency from higher to lower ones in order. The optimum notch frequency is set at the point where vibration is minimal. ▪ A deeper notch has a higher effect on machine resonance suppression but increases a phase delay and may increase vibration. ▪ The machine characteristic can be grasped beforehand by the machine analyzer on the servo configuration software. This allows the required notch frequency and depth to be determined.

7. SPECIAL ADJUSTMENT FUNCTIONS

7.3 Adaptive vibration suppression control

(1) Function

Adaptive vibration suppression control is a function in which the servo amplifier detects machine resonance and sets the filter characteristics automatically to suppress mechanical system vibration. Since the filter characteristics (frequency, depth) are set automatically, you need not be conscious of the resonance frequency of a mechanical system. Also, while adaptive vibration suppression control is valid, the servo amplifier always detects machine resonance, and if the resonance frequency changes, it changes the filter characteristics in response to that frequency.



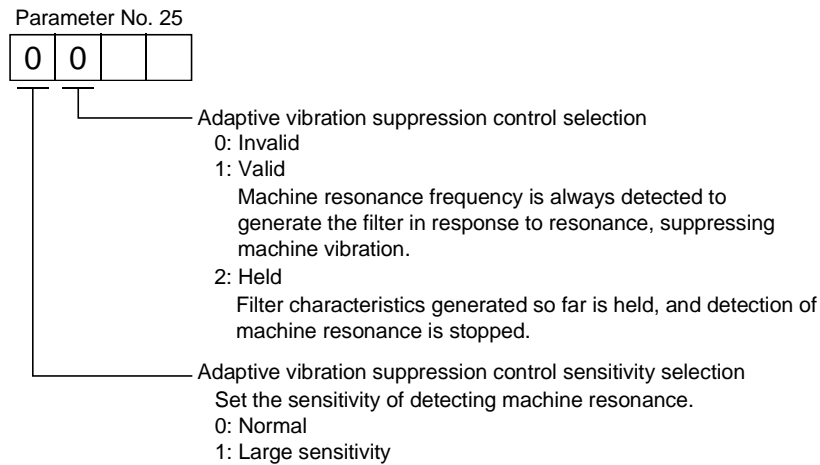
POINT

- The machine resonance frequency which adaptive vibration suppression control can respond to is about 150 to 500Hz. Adaptive vibration suppression control has no effect on the resonance frequency outside this range. Use the machine resonance suppression filter for the machine resonance of such frequency.
- Adaptive vibration suppression control may provide no effect on a mechanical system which has complex resonance characteristics or which has too large resonance.
- Under operating conditions in which sudden disturbance torque is imposed during operation, the detection of the resonance frequency may malfunction temporarily, causing machine vibration. In such a case, set adaptive vibration suppression control to be "held" (parameter No. 25: □ 2 □ □) to fix the characteristics of the adaptive vibration suppression control filter.

7. SPECIAL ADJUSTMENT FUNCTIONS

(2) Parameters

The operation of adaptive vibration suppression control selection (parameter No.25).



POINT
<ul style="list-style-type: none"> ▪ Adaptive vibration suppression control is factory-set to be "invalid" (parameter No. 25: 0000). ▪ The filter characteristics generated are saved in the motion controller every 10s since power-on. At next power-on, vibration suppression control is performed with this data saved in the motion controller being used as an initial value. ▪ Selection the adaptive vibration suppression control sensitivity can change the sensitivity of detecting machine resonance. Selection of "large sensitivity" detects smaller machine resonance and generates a filter to suppress machine vibration. However, since a phase delay will also increase, the response of the servo system may not increase.

7.4 Low-pass filter

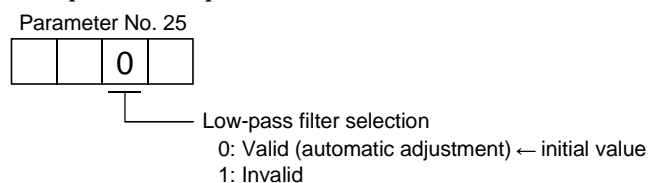
(1) Function

When a ballscrew or the like is used, resonance of high frequency may occur as the response of the servo system is increased. To prevent this, the low-pass filter is factory-set to be valid for a torque command. The filter frequency of this low-pass filter is automatically adjusted to the value in the following expression:

$$\text{Filter frequency (Hz)} = \frac{\text{Speed control gain 2 set value} \times 10}{2\pi \times (1 + \text{ratio of load inertia moment to servo motor inertia moment set value} \times 0.1)}$$

(2) Parameter

Set the operation of the low-pass filter (parameter No.25).



POINT
<ul style="list-style-type: none"> ▪ In a mechanical system where rigidity is extremely high and resonance is difficult to occur, setting the low-pass filter to be "invalid" may increase the servo system response to shorten the settling time.

8. INSPECTION

8. INSPECTION



WARNING

- Before starting maintenance and/or inspection, make sure that the charge lamp is off more than 10 minutes after power-off. Then, confirm that the voltage is safe in the tester or the like. Otherwise, you may get an electric shock.
- Any person who is involved in inspection should be fully competent to do the work. Otherwise, you may get an electric shock. For repair and parts replacement, contact your safes representative.

POINT

- Do not test the servo amplifier with a megger (measure insulation resistance), or it may become faulty.
- Do not disassemble and/or repair the equipment on customer side.

(1) Inspection

It is recommended to make the following checks periodically:

- (a) Check for loose terminal block screws. Retighten any loose screws.
- (b) Check the cables and the like for scratches and cracks. Perform periodic inspection according to operating conditions.

(2) Life

The following parts must be changed periodically as listed below. If any part is found faulty, it must be changed immediately even when it has not yet reached the end of its life, which depends on the operating method and environmental conditions. For parts replacement, please contact your sales representative.

	Part name	Life guideline
Servo amplifier	Smoothing capacitor	10 years
	Relay	Number of power-on and number of forced Stop times:100,000times.
	Cooling fan	10,000 to 30,000hours (2 to 3 years)
	Absolute position battery	Refer to Section 13.2

(a) Smoothing capacitor

Affected by ripple currents, etc. and deteriorates in characteristic. The life of the capacitor greatly depends on ambient temperature and operating conditions. The capacitor will reach the end of its life in 10 years of continuous operation in normal air-conditioned environment.

(b) Relays

Their contacts will wear due to switching currents and contact faults occur. Relays reach the end of their life when the cumulative number of power-on and forced stop times is 100,000, which depends on the power supply capacity.

(c) Servo amplifier cooling fan

The cooling fan bearings reach the end of their life in 10,000 to 30,000 hours. Normally, therefore, the fan must be changed in a few years of continuous operation as a guideline.

It must also be changed if unusual noise or vibration is found during inspection.

9. TROUBLESHOOTING

9. TROUBLESHOOTING

9.1 Alarms and warning list

When a fault occurs during operation, the corresponding alarm or warning is displayed. If any alarm or warning has occurred, refer to Section 9.2 or 9.3 and take the appropriate action.

The alarms marked ○ in the alarm deactivation column can be deactivated by the corresponding operations.

	Display	Name	Alarm deactivation		
			Power OFF→ON	Error reset	CPU reset
Alarms	10	Undervoltage	○	○	○
	12	Memory error 1	○		
	13	Clock error	○		
	15	Memory error 2	○		
	16	Encoder error 1	○		
	17	Board error	○		
	19	Memory error 3	○		
	1A	Motor combination error	○		
	20	Encoder error 2	○		
	24	Main circuit error	○	○	○
	25	Absolute position erase	○		
	30	Regenerative error	○	○	○
	31	Overspeed	○	○	○
	32	Overcurrent	○	○	○
	33	Overvoltage	○	○	○
	34	CRC error	○	○	○
	35	Command frequency error	○	○	○
	36	Transfer error	○	○	○
	37	Parameter error	○		○
	45	Main circuit device overheat	○	○	○
46	Servo motor overheat	○	○	○	
50	Overload 1	○ (Note)	○ (Note)	○ (Note)	
51	Overload 2	○ (Note)	○ (Note)	○ (Note)	
52	Error excessive	○	○	○	
8E	Serial communication error	○	○	○	
88	Watchdog	○			
Warnings	92	Open battery cable warning	Removing the cause of occurrence deactivates the alarm automatically.		
	96	Home position setting warning			
	9F	Battery warning			
	E0	Excessive regenerative warning			
	E1	Overload warning			
	E3	Absolute position counter warning			
	E4	Parameter warning			
	E6	Servo forced stop warning			
	E7	Controller emergency stop warning			
	E9	Main circuit off warning			
EE	SSCNET error warning				

Note: Deactivate the alarm about 30 minutes of cooling time after removing the cause of occurrence.

9. TROUBLESHOOTING

9.2 Remedies for alarms



CAUTION

- When any alarm has occurred, eliminate its cause, ensure safety, then reset the alarm, and restart operation. Otherwise, injury may occur.
- If an absolute position erase alarm (25) occurred, always make home position setting again. Otherwise, misoperation may occur.

POINT

- When any of the following alarms has occurred, always remove its cause and allow about 30 minutes for cooling before resuming operation. If operation is resumed by switching control circuit power off, then on to reset the alarm, the servo amplifier and servo motor may become faulty.
 - Regenerative error (30)
 - Overload 1 (50)
 - Overload 2 (51)
- The alarm can be deactivated by switching power off, then on or by the error reset command • CPU reset from the servo system controller. For details, refer to Section 9.1.

When an alarm occurs, the dynamic brake is operated to stop the servomotor. At this time, the display indicates the alarm No.

The servo motor comes to a stop. Remove the cause of the alarm in accordance with this section. The optional servo configuration software may be used to refer to the cause.

Display	Name	Definition	Cause	Action
10	Undervoltage	Power supply voltage dropped. MR-J2S-□B:160V or less MR-J2S-□B1:83V or less	1. Power supply voltage is low.	Review the power supply.
			2. There was an instantaneous control power failure of 60ms or longer.	
			3. Shortage of power supply capacity caused the power supply voltage to drop at start, etc.	
			4. Power was restored after the bus voltage had dropped to 200VDC. (Main circuit power switched on within 5s after it had switched off.)	
			5. Faulty parts in the servo amplifier	Change the servo amplifier.
			— Checking method — Alarm (10) occurs if power is switched on after CN1A, CN1B and CN3 connectors are disconnected.	
12	Memory error 1	RAM, memory fault	Faulty parts in the servo amplifier	Change the servo amplifier.
13	Clock error	Printed board fault		
15	Memory error 2	EEP-ROM fault		
			— Checking method — Alarm (any of 12,13 and 15) occurs if power is switched on after CN1A, CN1B and CN3 all connectors are disconnected.	
16	Encoder error 1	Communication error occurred between encoder and servo amplifier.	1. CN2 connector disconnected.	Connect correctly.
			2. Encoder fault	Change the servo motor.
			3. Encoder cable faulty (Wire breakage or shorted)	Repair or change cable.

9. TROUBLESHOOTING

Display	Name	Definition	Cause	Action
17	Board error 2	CPU/parts fault	Faulty parts in the servo amplifier	Change the servo amplifier.
19	Memory error 3	ROM memory fault	<p style="text-align: center;">Checking method</p> Alarm (17 or 19) occurs if power is switched on after CN1A, CN1B and CN3 connectors are disconnected.	
1A	Motor combination error	Wrong combination of servo amplifier and servo motor.	Wrong combination of servo amplifier and servo motor connected.	Use correct combination.
20	Encoder error 2	Communication error occurred between encoder and servo amplifier.	1. CN2 connector disconnected.	Connect correctly.
			2. Encoder fault	Change the servo motor.
			3. Encoder cable faulty (Wire breakage or shorted)	Repair or change cable.
24	Main circuit error	Ground fault occurred at the servo motor outputs (U, V and W phases) of the servo amplifier.	1. Power input wires and servo motor output wires are in contact at main circuit terminal block (TE1).	Connect correctly.
			2. Sheathes of servo motor power cables deteriorated, resulting in ground fault.	Change the cable.
			3. Main circuit of servo amplifier failed.	Change the servo amplifier.
			<p style="text-align: center;">Checking method</p> Alarm (24) occurs if the servo is switched on after disconnecting the U, V, W power cables from the servo amplifier.	
25	Absolute position erase	Absolute position data in error	1. Battery voltage low	Change battery.
		Power was switched on for the first time in the absolute position detection system.	2. Battery cable or battery is faulty.	Always make home position setting again.
			3. Super capacitor of the absolute position encoder is not charged	After leaving the alarm occurring for a few minutes, switch power off, then on again. Always make home position setting again.
30	Regenerative alarm	Permissible regenerative power of the built-in regenerative brake resistor or regenerative brake option is exceeded.	1. Mismatch between used regenerative brake option and parameter No. 2 setting	Set correctly.
			2. Built-in regenerative brake resistor or regenerative brake option is not connected.	Connect correctly
			3. High-duty operation or continuous regenerative operation caused the permissible regenerative power of the regenerative brake option to be exceeded.	1. Reduce the frequency of positioning. 2. Use the regenerative brake option of larger capacity. 3. Reduce the load.
			<p style="text-align: center;">Checking method</p> Call the status display and check the regenerative load ratio.	
			4. Power supply voltage is abnormal. MR-J2S-□B:260V or more MR-J2S-□B1:135V or more	Review power supply
		5. Built-in regenerative brake resistor or regenerative brake option faulty.	Change servo amplifier or regenerative brake option.	
	Regenerative transistor fault	6. Regenerative transistor faulty.	Change the servo amplifier.	
			<p style="text-align: center;">Checking method</p> 1) The regenerative brake option has overheated abnormally. 2) The alarm occurs even after removal of the built-in regenerative brake resistor or regenerative brake option.	

9. TROUBLESHOOTING

Display	Name	Definition	Cause	Action
31	Overspeed	Speed has exceeded the instantaneous permissible speed.	1. Small acceleration/deceleration time constant caused overshoot to be large.	Increase acceleration/deceleration time constant.
			2. Servo system is instable to cause overshoot.	1. Reset servo gain to proper value. 2. If servo gain cannot be set to proper value: 1) Reduce load inertia moment ratio; or 2) Reexamine acceleration/ deceleration time constant.
			3. Encoder faulty.	Change the servo motor.
32	Overcurrent	Current that flew is higher than the permissible current of the servo amplifier.	1. Short occurred in servo amplifier output phases U, V and W.	Correct the wiring.
			2. Transistor of the servo amplifier faulty. <div style="border: 1px solid black; padding: 5px; width: fit-content; margin: 5px 0;">Checking method Alarm (32) occurs if power is switched on after U,V and W are disconnected.</div>	Change the servo amplifier.
			3. Ground fault occurred in servo amplifier output phases U, V and W.	Correct the wiring.
			4. External noise caused the overcurrent detection circuit to misoperate.	Take noise suppression measures.
33	Overvoltage	Converter bus voltage exceeded 400V.	1. Regenerative brake option is not used.	Use the regenerative brake option.
			2. Though the regenerative brake option is used, the parameter No. 2 setting is "□□00 (not used)".	Make correct setting.
			3. Lead of built-in regenerative brake resistor or regenerative brake option is open or disconnected.	1. Change lead. 2. Connect correctly.
			4. Regenerative transistor faulty.	Change servo amplifier
			5. Wire breakage of built-in regenerative brake resistor or regenerative brake option	1. For wire breakage of built-in regenerative brake resistor, change servo amplifier. 2. For wire breakage of regenerative brake option, change regenerative brake option.
			6. Power supply voltage high.	Review the power supply.
34	CRC error	Bus cable is faulty	1. Bus cable disconnected.	Connect correctly.
			2. Bus cable fault	Change the cable.
			3. Noise entered bus cable.	Take measures against noise.
			4. Termination connector disconnected.	Connect termination connector.
			5. The same No. exists in the servo amplifier side axis setting.	Set correctly.

9. TROUBLESHOOTING

Display	Name	Definition	Cause	Action
35	Command frequency error	Input frequency of command pulse is too high.	1. Command given is greater than the maximum speed of the servo motor.	Review operation program.
			2. Noise entered bus cable.	Take action against noise.
			3. Servo system controller failure	Change the servo system controller.
36	Transfer error	Bus cable or printed board is faulty	1. Bus cable is disconnected.	Connect the connector of the bus cable.
			2. Bus cable fault.	Change the cable.
			3. Printed board is faulty.	Change the servo amplifier
			4. Termination connector disconnected	Connect termination connector.
37	Parameter error	Parameter setting is wrong.	1. Servo amplifier fault caused the parameter setting to be rewritten.	Change the servo amplifier.
			2. There is a parameter whose value was set to outside the setting range by the controller.	Change the parameter value to within the setting range.
45	Main circuit device overheat	Main circuit device overheat	1. Servo amplifier faulty.	Change the servo amplifier.
			2. The power supply was turned on and off continuously by overloaded status.	The drive method is reviewed.
			3. Air cooling fan of servo amplifier stops.	1. Change the servo amplifier or cooling fan. 2. Reduce ambient temperature.
46	Servo motor overheat	Servo motor temperature rise actuated the thermal protector.	1. Ambient temperature of servo motor is over 40°C.	Review environment so that ambient temperature is 0 to 40°C.
			2. Servo motor is overloaded.	1. Reduce load. 2. Review operation pattern. 3. Use servo motor that provides larger output.
			3. Thermal protector in encoder is faulty.	Change servo motor.
50	Overload 1	Load exceeded overload protection characteristic of servo amplifier. Load ratio 300%: 2.5s or more Load ratio 200%: 100s or more	1. Servo amplifier is used in excess of its continuous output current.	1. Reduce load. 2. Review operation pattern. 3. Use servo motor that provides larger output.
			2. Servo system is instable and hunting.	1. Repeat acceleration/ deceleration to execute auto tuning. 2. Change auto tuning response setting. 3. Set auto tuning to OFF and make gain adjustment manually.
			3. Machine struck something.	1. Review operation pattern. 2. Install limit switches.
			4. Wrong connection of servo motor. Servo amplifier's output terminals U, V, W do not match servo motor's input terminals U, V, W.	Connect correctly.
			5. Encoder faulty.	Change the servo motor.
		<div style="border: 1px solid black; padding: 5px;"> <p>Checking method</p> <p>When the servo motor shaft is rotated slowly with the servo off, the cumulative feedback pulses should vary in proportion to the rotary angle. If the indication skips or returns midway, the encoder is faulty.</p> </div>		

9. TROUBLESHOOTING

Display	Name	Definition	Cause	Action
51	Overload 2	Machine collision or the like caused max. output current to flow successively for several seconds. Servo motor locked: 1s or more	1. Machine struck something.	1. Review operation pattern. 2. Install limit switches.
			2. Wrong connection of servo motor. Servo amplifier's output terminals U, V, W do not match servo motor's input terminals U, V, W.	Connect correctly.
			3. Servo system is instable and hunting.	1. Repeat acceleration/deceleration to execute auto tuning. 2. Change auto tuning response setting. 3. Set auto tuning to OFF and make gain adjustment manually.
			4. Encoder faulty. <div style="border: 1px solid black; padding: 5px; width: fit-content;"> <p style="text-align: center;">Checking method</p> <p>When the servo motor shaft is rotated slowly with the servo off, the cumulative feedback pulses should vary in proportion to the rotary angle. If the indication skips or returns midway, the encoder is faulty.</p> </div>	Change the servo motor.
52	Error excessive	Droop pulse value of the deviation counter exceeded the parameter No.31 setting value (initial value: 8 revolutions).	1. Acceleration/deceleration time constant is too small.	Increase the acceleration/deceleration time constant.
			2. Torque limit value is too small.	Increase the torque limit value.
			3. Motor cannot be started due to torque shortage caused by power supply voltage drop.	1. Review the power supply capacity. 2. Use servo motor which provides larger output.
			4. Position control gain 1 (parameter No.13) value is small.	Increase set value and adjust to ensure proper operation.
			5. Servo motor shaft was rotated by external force.	1. When torque is limited, increase the limit value. 2. Reduce load. 3. Use servo motor that provides larger output.
			6. Machine struck something.	1. Review operation pattern. 2. Install limit switches.
			7. Encoder faulty	Change the servo motor.
			8. Wrong connection of servo motor. Servo amplifier's output terminals U, V, W do not match servo motor's input terminals U, V, W.	Connect correctly.
8E	Serial communication error	Serial communication error occurred between servo amplifier and communication device (e.g. personal computer).	1. Communication cable fault (Open cable or short circuit)	Repair or change the cable.
			2. Communication device (e.g. personal computer) faulty	Change the communication device (e.g. personal computer).
88	Watchdog	CPU, parts faulty	Fault of parts in servo amplifier <div style="border: 1px solid black; padding: 5px; width: fit-content;"> <p style="text-align: center;">Checking method</p> <p>Alarm (88) occurs if power is switched on after CN1A, CN1B and CN3 connectors are disconnected.</p> </div>	Change servo amplifier.

9. TROUBLESHOOTING

9.3 Remedies for warnings

If E6, E7, E9 or EE occurs, the servo off status is established. If any other warning occurs, operation can be continued but an alarm may take place or proper operation may not be performed. Eliminate the cause of the warning according to this section. Use the optional servo configuration software to refer to the cause of warning.

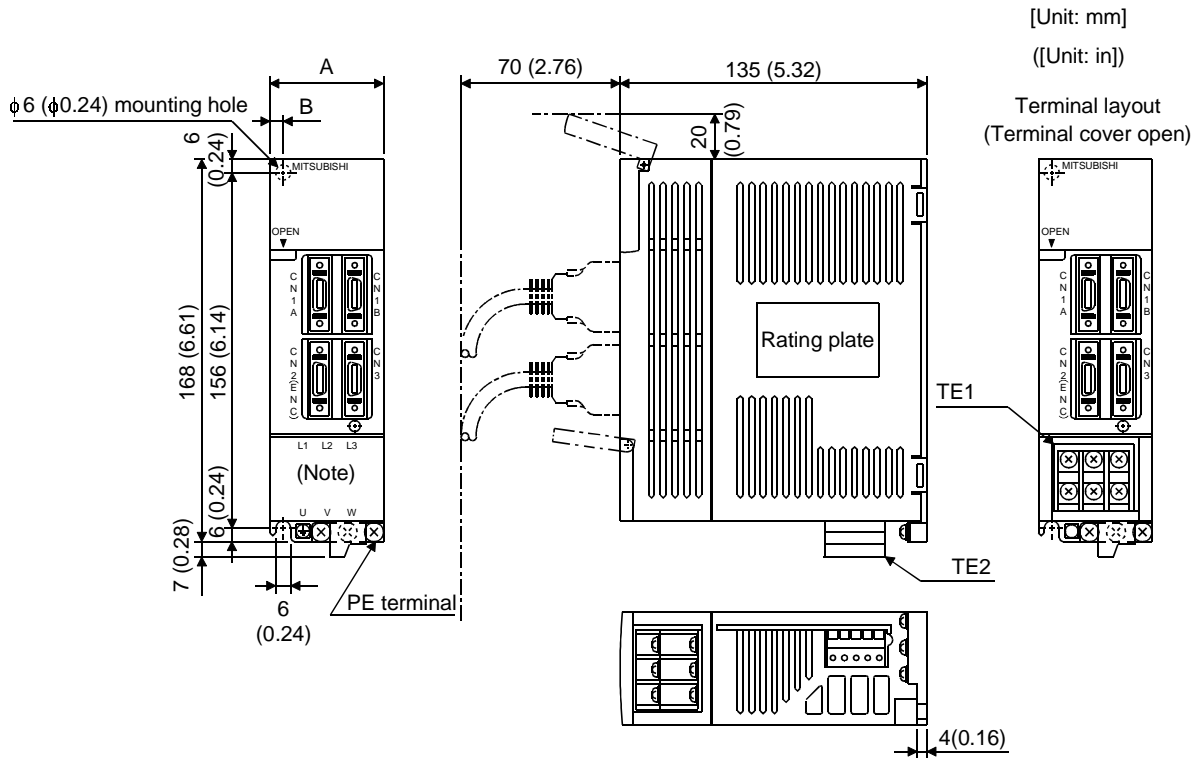
Display	Name	Definition	Cause	Action
92	Open battery cable warning	Absolute position detection system battery voltage is low.	1. Battery cable is open.	Repair cable or changed.
			2. Battery voltage dropped to 2.8V or less.	Change battery.
96	Home position setting warning	Home position return could not be made in the precise position.	1. Droop pulses remaining are greater than the in-position range setting.	Remove the cause of droop pulse occurrence
			2. Home position return was executed during operation command	Reduce creep speed.
			3. Creep speed high.	
9F	Battery warning	Voltage of battery for absolute position detection system reduced.	Battery voltage fell to 3.2V or less.	Change the battery.
E0	Excessive regenerative warning	There is a possibility that regenerative power may exceed permissible regenerative power of built-in regenerative brake resistor or regenerative brake option.	Regenerative power increased to 85% or more of permissible regenerative power of built-in regenerative brake resistor or regenerative brake option. <div style="border: 1px solid black; padding: 5px; width: fit-content; margin: 5px auto;">Checking method Call the status display and check regenerative load ratio.</div>	1. Reduce frequency of positioning. 2. Change regenerative brake option for the one with larger capacity. 3. Reduce load.
E1	Overload warning	There is a possibility that overload alarm 1 or 2 may occur.	Load increased to 85% or more of overload alarm 1 or 2 occurrence level. <div style="border: 1px solid black; padding: 5px; width: fit-content; margin: 5px auto;">Cause, checking method Refer to 50, 51.</div>	Refer to 50, 51.
E3	Absolute position counter warning	Absolute position encoder pulses faulty.	1. Noise entered the encoder.	Take noise suppression measures.
			2. Encoder faulty.	Change servo motor.
E4	Parameter warning	Parameter outside setting range	Parameter value set from servo system controller is outside setting range	Set it correctly.
E6	Servo forced stop warning	EM1-SG are open.	External forced stop was made valid. (EM1-SG opened.)	Ensure safety and deactivate forced stop.
E7	Controller emergency stop warning		Emergency stop signal was entered into the servo system controller.	Ensure safety and deactivate emergency stop.
E9	Main circuit off warning	Servo was switched on with main circuit power off.		Switch on main circuit power.
EE	SSCNET error warning	The servo system controller connected is not SSCNET-compatible.		

10. OUTLINE DIMENSION DRAWINGS

10. OUTLINE DIMENSION DRAWINGS

10.1 Servo amplifiers

- (1) MR-J2S-10B to MR-J2S-60B
MR-J2S-10B1 to MR-J2S-40B1

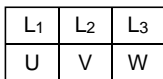


Servo amplifier	Variable dimensions		Weight [kg]([lb])
	A	B	
MR-J2S-10B(1)	50 (1.97)	6 (0.24)	0.7 (1.54)
MR-J2S-20B(1)			
MR-J2S-40B(1)	70 (2.76)	22 (0.87)	1.1 (2.43)
MR-J2S-60B			

Note: This data applies to the 3-phase 200 to 230VAC and 1-phase 230VAC power supply models.

TE1

- For 3-phase 200 to 230VAC and 1-phase 230VAC



Terminal screw: M4

Tightening torque: 1.24 [N·m] (175.6 [oz·in])

- For 1-phase 100 to 120VAC

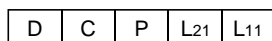


Terminal screw: M4

Tightening torque: 1.24 [N·m] (175.6 [oz·in])

TE2

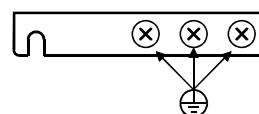
← Front



Tightening torque: 0.5 to 0.6 [N·m] (70.8 to 85.0 [oz·in])

FRONT MSTB2,5/5-ST-5,08
(Phoenix Contact)

PE terminals

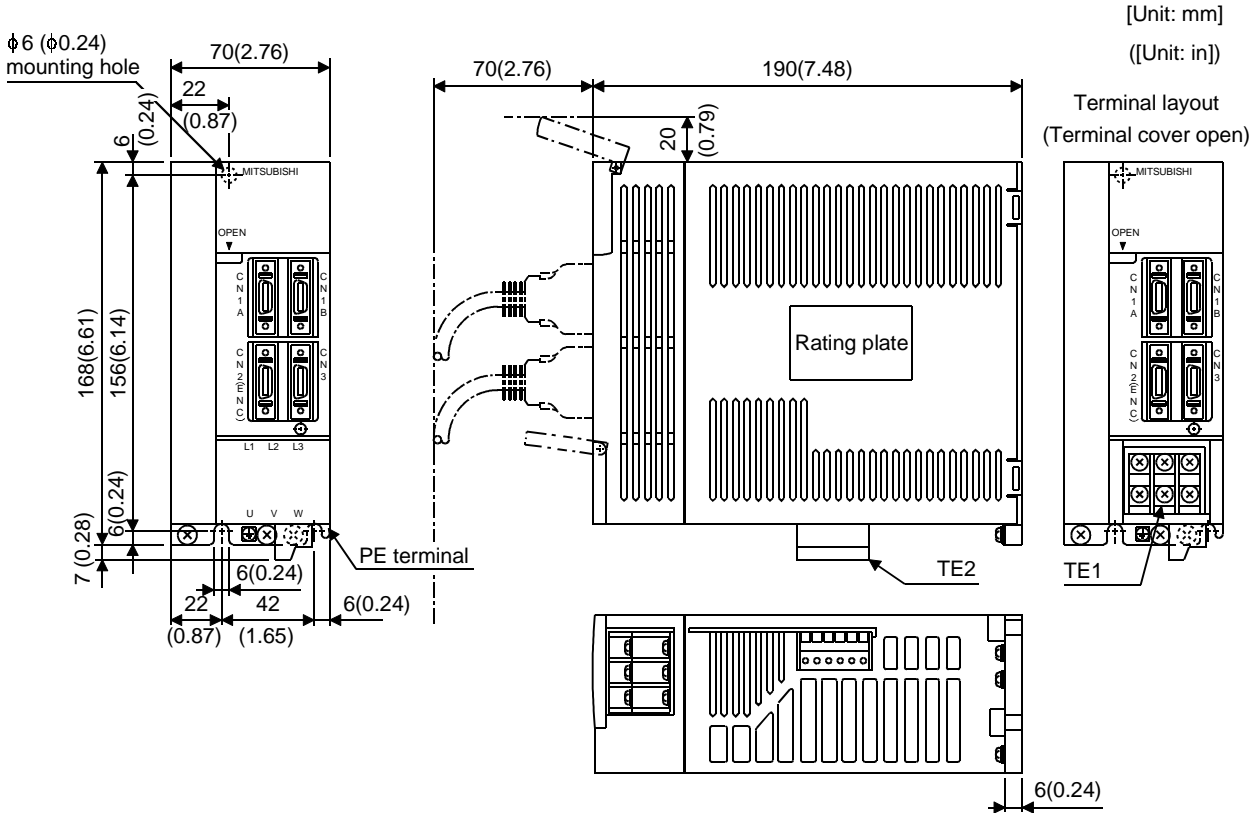


Terminal screw: M4

Tightening torque: 1.24 [N·m] (175.6 [oz·in])

10. OUTLINE DIMENSION DRAWINGS

(2) MR-J2S-70B • MR-J2S-100B



Servo amplifier	Weight [kg](lb)
MR-J2S-70B	1.7
MR-J2S-100B	(3.75)

TE1

L1	L2	L3
U	V	W

Terminal screw: M4

Tightening torque: 1.24 [N·m] (175.6 [oz·in])

TE2

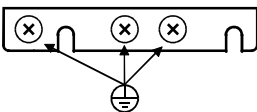
← Front

D	C	P	L21	L11	N
---	---	---	-----	-----	---

Tightening torque: 0.5 to 0.6 [N·m] (70.8 to 85.0 [oz·in])

FRONT MSTB2,5/6-ST-5,08
(Phoenix Contact)

PE terminals



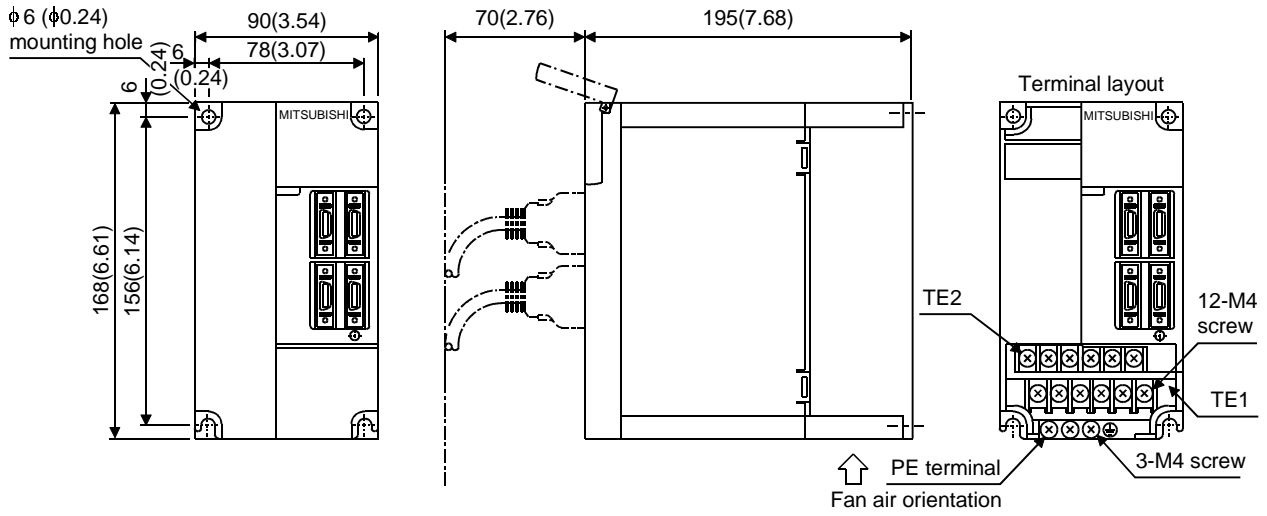
Terminal screw: M4

Tightening torque: 1.24 [N·m] (175.6 [oz·in])

10. OUTLINE DIMENSION DRAWINGS

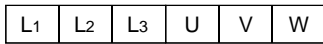
(3) MR-J2S-200B • MR-J2S-350B

[Unit: mm]
 [(Unit: in)]



Servo amplifier	Weight [kg]([lb])
MR-J2S-200B	2.0
MR-J2S-350B	(4.41)

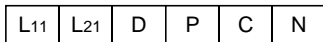
TE1



Terminal screw: M4

Tightening torque: 1.24 [N·m] (175.6 [oz·in])

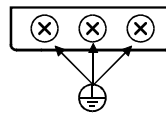
TE2



Terminal screw: M4

Tightening torque: 1.24 [N·m] (175.6 [oz·in])

PE terminals

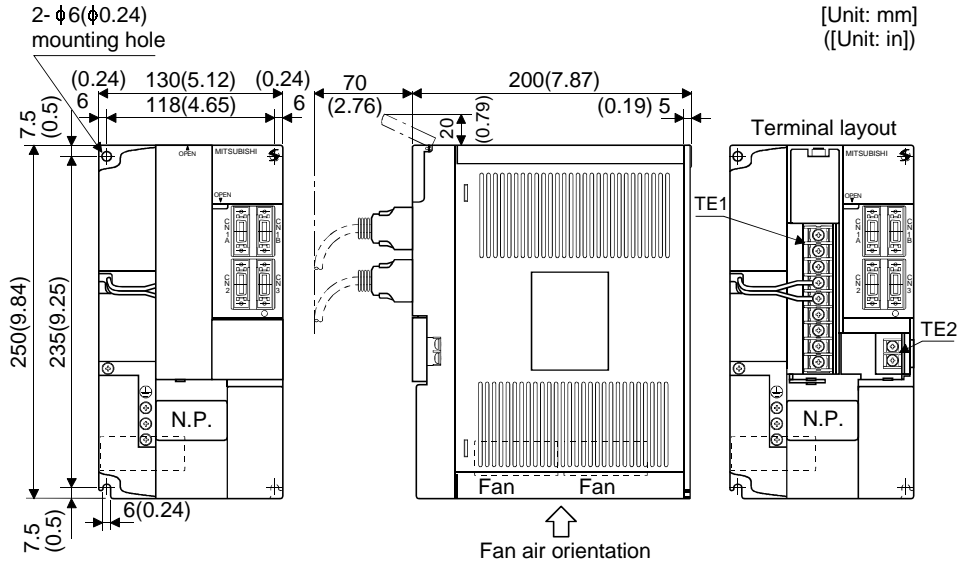


Terminal screw: M4

Tightening torque: 1.24 [N·m] (175.6 [oz·in])

10. OUTLINE DIMENSION DRAWINGS

(4) MR-J2S-500B

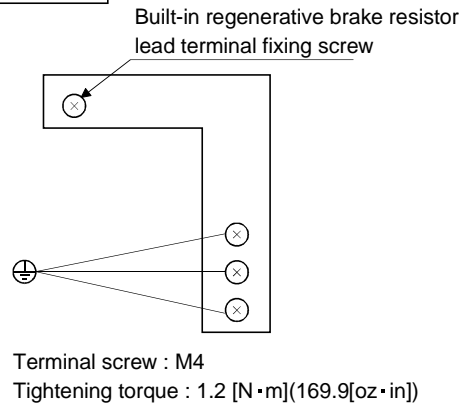


Servo amplifier	Weight [kg]([lb])
MR-J2S-500B	4.9(10.8)

TE1

L ₁	Terminal screw : M4 Tightening torque : 1.2 [N·m](169.9[oz·in])
L ₂	
L ₃	
C	
P	
N	
U	
V	
W	

PE terminals

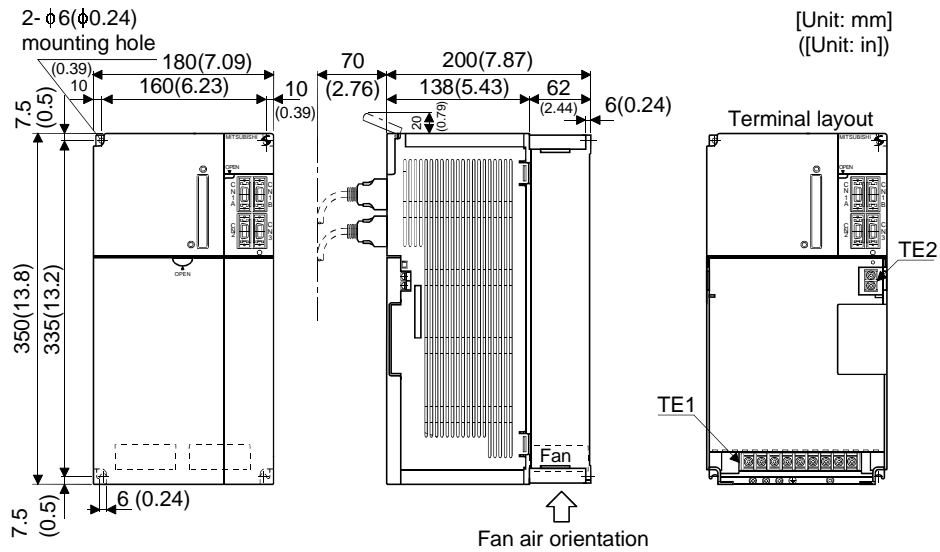


TE2

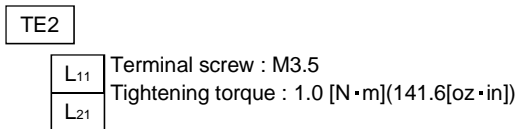
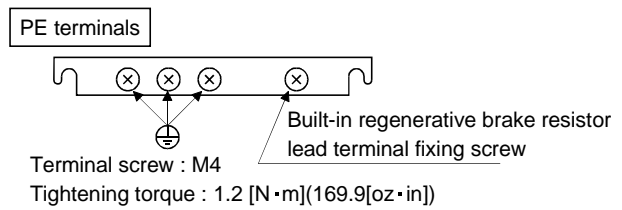
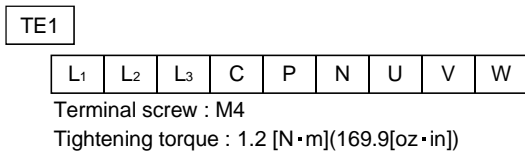
L ₁₁	Terminal screw : M3.5 Tightening torque : 1.0 [N·m](141.6[oz·in])
L ₂₁	

10. OUTLINE DIMENSION DRAWINGS

(5) MR-J2S-700B



Servo amplifier	Weight [kg]([lb])
MR-J2S-700B	7.2(15.9)



10. OUTLINE DIMENSION DRAWINGS

10.2 Connectors

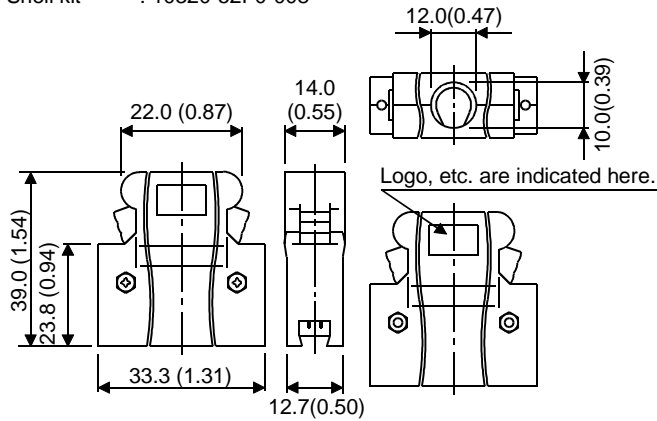
(1) Servo amplifier side

<3M>

(a) Soldered type

Model
 Connector : 10120-3000VE
 Shell kit : 10320-52F0-008

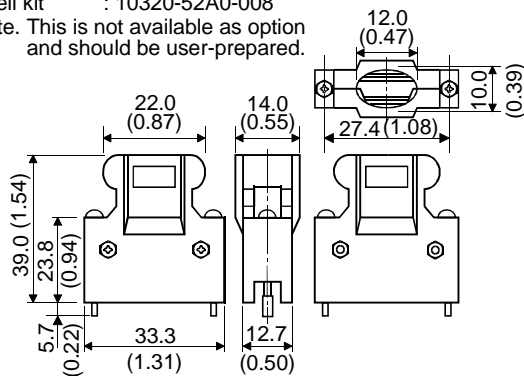
[Unit: mm]
 ([Unit: in])



(b) Threaded type

Model
 Connector : 10120-3000VE
 Shell kit : 10320-52A0-008
 Note. This is not available as option
 and should be user-prepared.

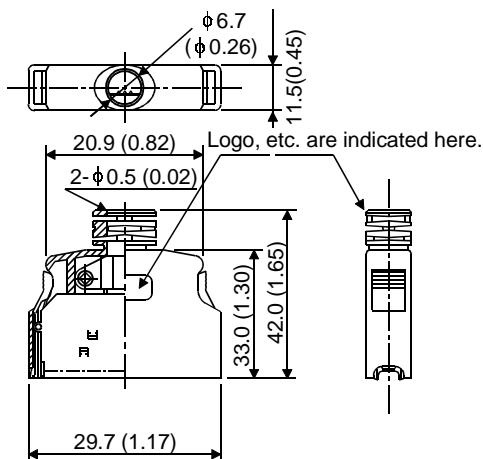
[Unit: mm]
 ([Unit: in])



(c) Insulation displacement type

Model
 Connector : 10120-6000EL
 Shell kit : 10320-3210-000

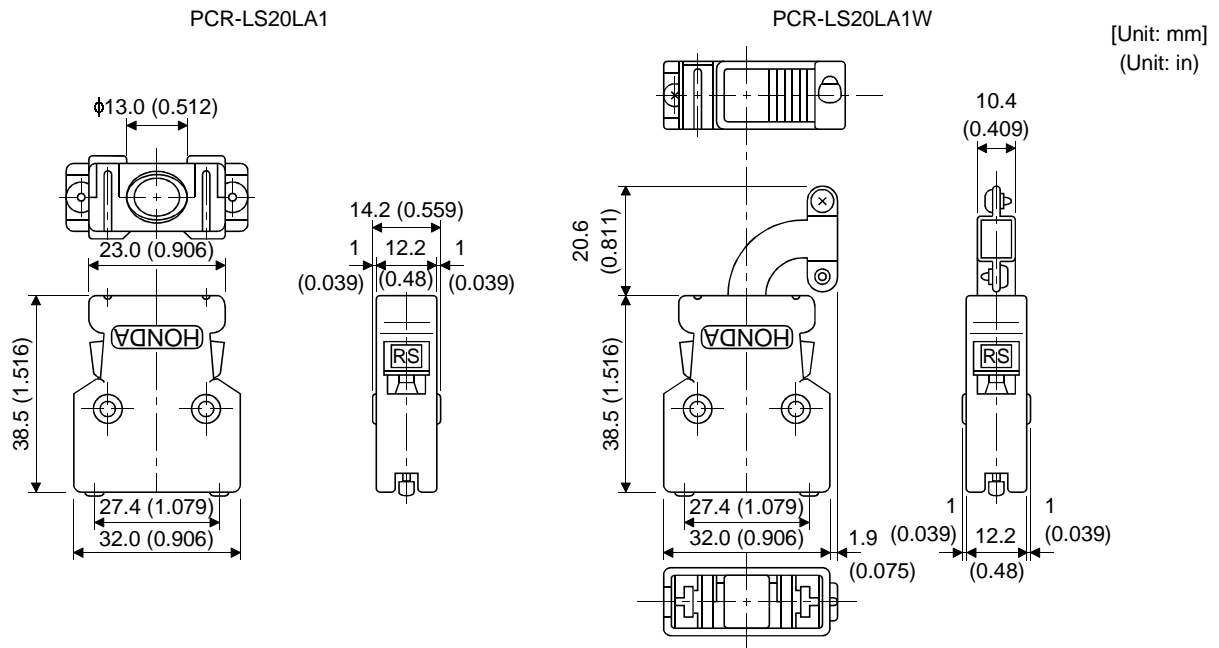
[Unit: mm]
 ([Unit: in])



10. OUTLINE DIMENSION DRAWINGS

(2) Bus cable connector

<Honda Tsushin Industry>



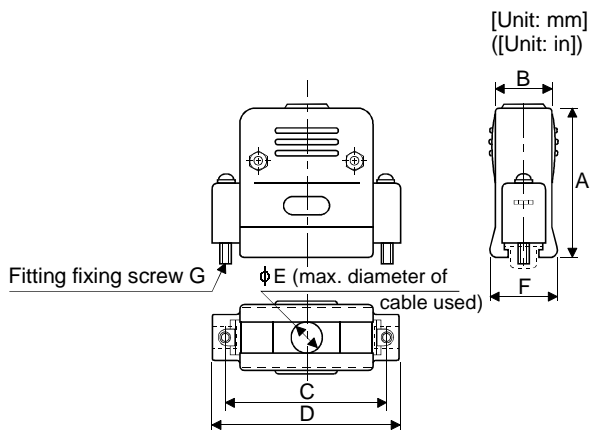
Number of Pins	Model	
	Connector	Case
20	PCR-S20FS (soldering type)	PCR-LS20LA1
	PCR-S20F (insulation displacement type)	PCR-LS20LA1W

Crimping terminal: FHAT-002A

Note: PCR-S20F and PCR-LS20LA1W are not options and are to be supplied by the customer.

(3) Communication cable connector

<Japan Aviation Electronics Industry>



Type	A	B	C	D	ϕE	F	G
DE-C1-J6-S6	± 1	± 1	± 0.25	± 1	6(0.24)	Reference	#4-40

11. CHARACTERISTICS

11. CHARACTERISTICS

11.1 Overload protection characteristics

An electronic thermal relay is built in the servo amplifier to protect the servo motor and servo amplifier from overloads. The operation characteristics of the electronic thermal relay are shown Fig 11.1 to 11.3. Overload 1 alarm (50) occurs if overload operation performed is above the electronic thermal relay protection curve shown below. Overload 2 alarm (51) occurs if the maximum current flew continuously for several seconds due to machine collision, etc. Use the equipment on the left-hand side area of the continuous or broken line in the graph.

In a machine like the one for vertical lift application where unbalanced torque will be produced, it is recommended to use the machine so that the unbalanced torque is 70% or less of the rated torque.

(1) MR-J2S-10B to MR-J2S-100B

HC-KFS series
HC-MFS series
HC-SFS series
HC-UFS series

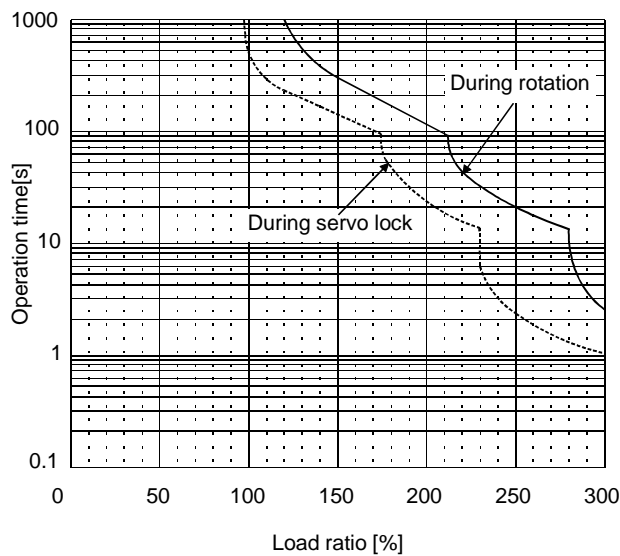


Fig 11.1 Electronic thermal relay protection characteristics 1

(2) MR-J2S-200B to MR-J2S-350B

HC-SFS series
HC-RFS series
HC-UFS series

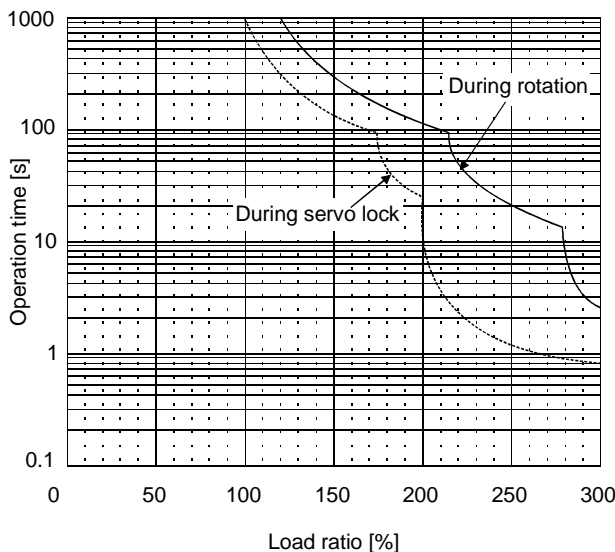


Fig 11.2 Electronic thermal relay protection characteristics 2

11. CHARACTERISTICS

(3) MR-J2S-500B • MR-J2S-700B

HC-SFS series
HC-RFS series
HC-UFS series

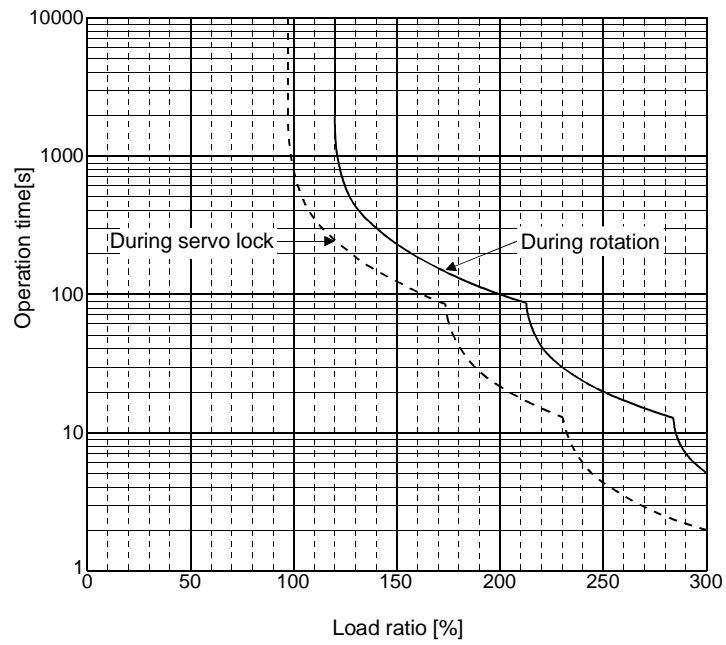


Fig 11.3 Electronic thermal relay protection characteristics 3

11. CHARACTERISTICS

11.2 Power supply equipment capacity and generated loss

(1) Amount of heat generated by the servo amplifier

Table 11.1 indicates servo amplifiers' power supply capacities and losses generated under rated load. For thermal design of an enclosure, use the values in Table 11.1 in consideration for the worst operating conditions. The actual amount of generated heat will be intermediate between values at rated torque and zero torque according to the duty used during operation. When the servo motor is run at less than the maximum speed, the power supply capacity will be smaller than the value in the table, but the servo amplifier's generated heat will not change.

Table 11.1 Power supply capacity and generated heat per servo amplifier at rated output

Servo amplifier	Servo motor	(Note 1) Power supply capacity[kVA]	(Note 2) Servo amplifier-generated heat[W]		Area required for heat dissipation	
			At rated torque	With servo off	[m ²]	[ft ²]
MR-J2S-10B(1)	HC-KFS053 · 13	0.3	25	15	0.5	5.4
	HC-MFS053 · 13	0.3	25	15	0.5	5.4
	HC-UFS13	0.3	25	15	0.5	5.4
MR-J2S-20B(1)	HC-KFS23	0.5	25	15	0.5	5.4
	HC-MFS23	0.5	25	15	0.5	5.4
	HC-UFS23	0.5	25	15	0.5	5.4
MR-J2S-40B(1)	HC-KFS43	0.9	35	15	0.7	7.5
	HC-MFS43	0.9	35	15	0.7	7.5
	HC-UFS43	0.9	35	15	0.7	7.5
MR-J2S-60B	HC-SFS52	1.0	40	15	0.8	8.6
	HC-SFS53	1.0	40	15	0.8	8.6
MR-J2S-70B	MR-KFS73	1.3	50	15	1.0	10.8
	HC-MFS73	1.3	50	15	1.0	10.8
	HC-UFS72 · 73	1.3	50	15	1.0	10.8
MR-J2S-100B	HC-SFS81	1.5	50	15	1.0	10.8
	HC-SFS102 · 103	1.7	50	15	1.0	10.8
MR-J2S-200B	HC-SFS121	2.1	90	20	1.8	19.4
	HC-SFS201	3.5	90	20	1.8	19.4
	HC-SFS152 · 153	2.5	90	20	1.8	19.4
	HC-SFS202 · 203	3.5	90	20	1.8	19.4
	HC-RFS103	1.8	90	20	1.8	19.4
	HC-RFS153	2.5	90	20	1.8	19.4
	HC-UFS152	2.5	90	20	1.8	19.4
MR-J2S-350B	HC-SFS301	4.8	120	20	2.7	29.1
	HC-SFS352 · 353	5.5	130	20	2.7	29.1
	HC-RFS203	3.5	90	20	1.8	19.4
	HC-UFS202	3.5	90	20	1.8	19.4
MR-J2S-500B	HC-SFS502	7.5	195	25	3.9	42.0
	HC-RFS353	5.5	135	25	2.7	29.1
	HC-RFS503	7.5	195	25	3.9	42.0
	HC-UFS352	5.5	195	25	3.9	42.0
	HC-UFS502	7.5	195	25	3.9	42.0
MR-J2S-700B	HC-SFS702	10.0	300	25	6.0	64.6

Note:1. Note that the power supply capacity will vary according to the power supply impedance.

2. Heat generated during regeneration is not included in the servo amplifier-generated heat. To calculate heat generated by the regenerative brake option, use Equation 12.1 in Section 12.1.1.

11. CHARACTERISTICS

(2) Heat dissipation area for enclosed servo amplifier

The enclosed control box (hereafter called the control box) which will contain the servo amplifier should be designed to ensure that its temperature rise is within +10°C at the ambient temperature of 40°C. (With a 5°C (41°F) safety margin, the system should operate within a maximum 55°C (131°F) limit.) The necessary enclosure heat dissipation area can be calculated by Equation 11.1:

$$A = \frac{P}{K \cdot \Delta T} \dots\dots\dots (11.1)$$

- where, A : Heat dissipation area [m²]
- P : Loss generated in the control box [W]
- ΔT : Difference between internal and ambient temperatures [°C]
- K : Heat dissipation coefficient [5 to 6]

When calculating the heat dissipation area with Equation 11.1, assume that P is the sum of all losses generated in the enclosure. Refer to Table 11.1 for heat generated by the servo amplifier. "A" indicates the effective area for heat dissipation, but if the enclosure is directly installed on an insulated wall, that extra amount must be added to the enclosure's surface area.

The required heat dissipation area will vary with the conditions in the enclosure. If convection in the enclosure is poor and heat builds up, effective heat dissipation will not be possible. Therefore, arrangement of the equipment in the enclosure and the use of a fan should be considered.

Table 11.1 lists the enclosure dissipation area for each servo amplifier when the servo amplifier is operated at the ambient temperature of 40°C (104°F) under rated load.

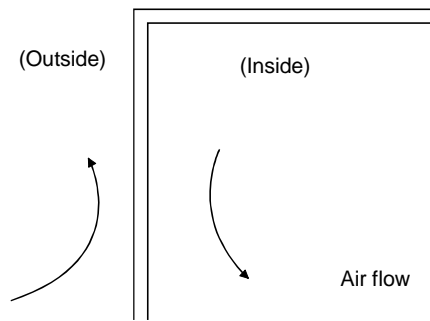


Fig. 11.4 Temperature distribution in enclosure

When air flows along the outer wall of the enclosure, effective heat exchange will be possible, because the temperature slope inside and outside the enclosure will be steeper.

11. CHARACTERISTICS

11.3 Dynamic brake characteristics

Fig. 11.5 shows the pattern in which the servo motor comes to a stop when the dynamic brake is operated. Use Equation 11.2 to calculate an approximate coasting distance to a stop. The dynamic brake time constant τ varies with the servo motor and machine operation speeds. (Refer to Fig. 11.6)

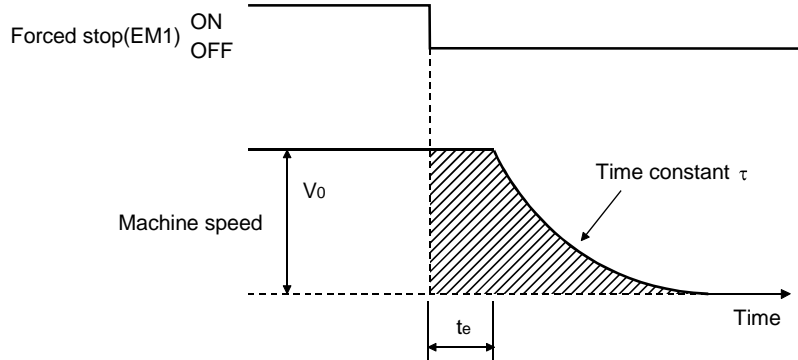


Fig. 11.5 Dynamic brake operation diagram

$$L_{\max} = \frac{V_0}{60} \cdot \left\{ t_e + \tau \left(1 + \frac{J_L}{J_M} \right) \right\} \dots \dots \dots (11.2)$$

- L_{\max} : Maximum coasting distance [mm][in]
- V_0 : Machine rapid feedrate [mm/min][in/min]
- J_M : Servo motor inertial moment..... [kg · cm²][oz · in²]
- J_L : Load inertia moment converted into equivalent value on servo motor shaft..... [kg · cm²][oz · in²]
- τ : Brake time constant (Fig. 11.6) [s]
- t_e : Delay time of control section (Fig. 11.5)..... [s]
(There is internal relay delay time of about 30ms.)

11. CHARACTERISTICS

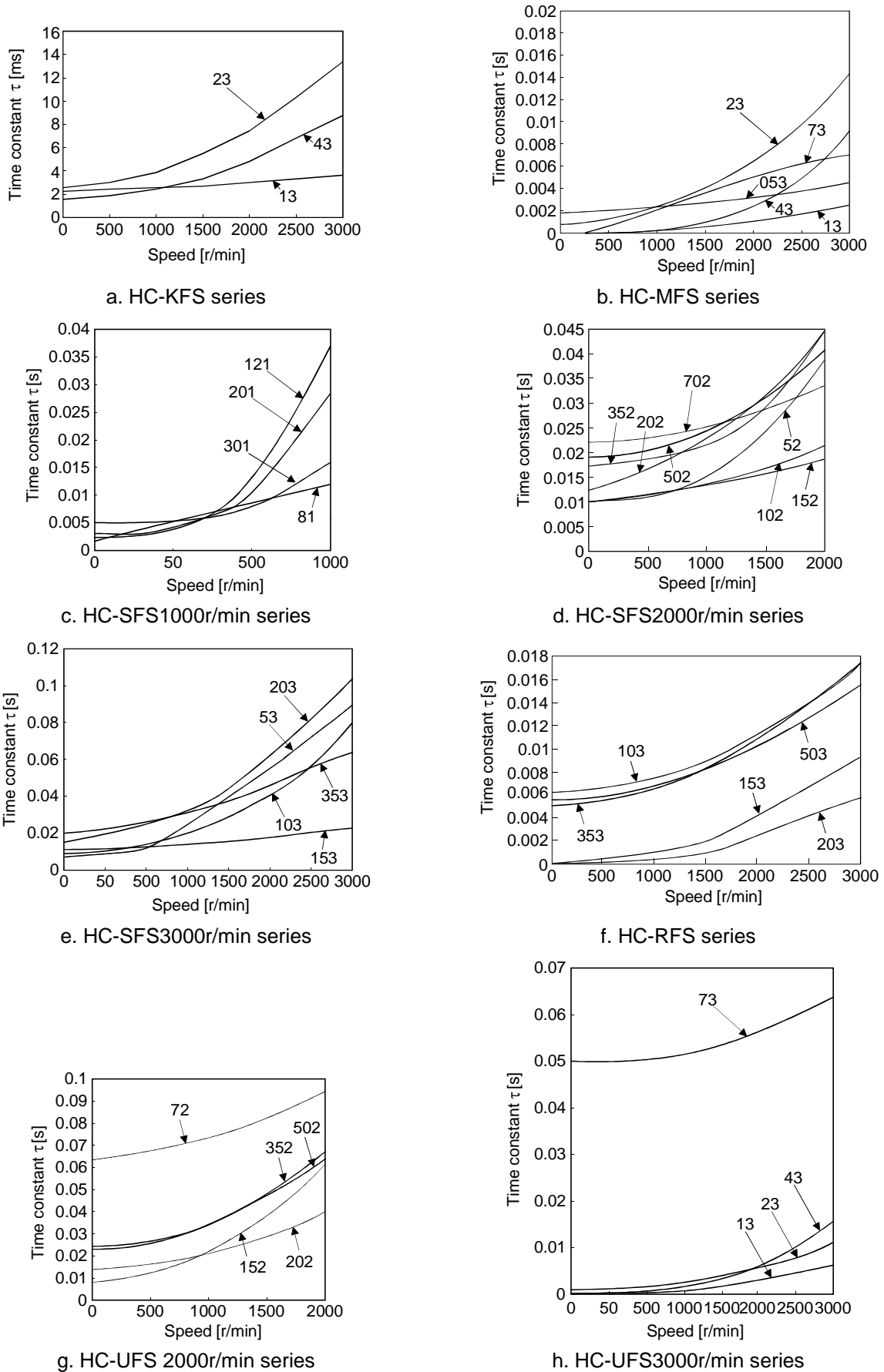


Fig. 11.6 Dynamic brake time constant

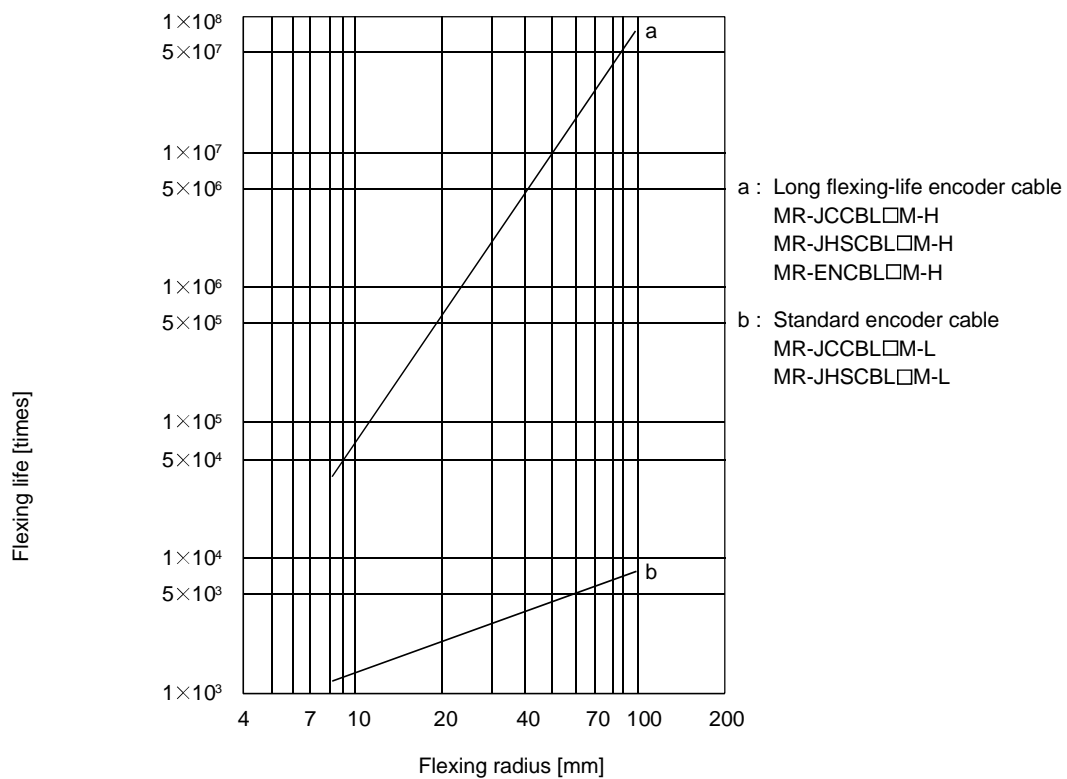
11. CHARACTERISTICS

Use the dynamic brake at the load inertia moment indicated in the following table. If the load inertia moment is higher than this value, the built-in dynamic brake may burn. If there is a possibility that the load inertia moment may exceed the value, contact Mitsubishi.

Servo amplifier	Load inertia moment ratio [times]
MR-J2S-10B to MR-J2S-200B MR-J2S-10B1 to MR-J2S-40B1	30
MR-J2S-350B	16
MR-J2S-500B	15
MR-J2S-700B	

11.4 Encoder cable flexing life

The flexing life of the cables is shown below. This graph calculated values. Since they are not guaranteed values, provide a little allowance for these values.



12. OPTIONS AND AUXILIARY EQUIPMENT

12. OPTIONS AND AUXILIARY EQUIPMENT



WARNING

• Before connecting any option or auxiliary equipment, make sure that the charge lamp is off more than 10 minutes after power-off, then confirm the voltage with a tester or the like. Otherwise, you may get an electric shock.



CAUTION

• Use the specified auxiliary equipment and options. Unspecified ones may lead to a fault or fire.

12.1 Options

12.1.1 Regenerative brake options



CAUTION

• The specified combinations of regenerative brake options and servo amplifiers may only be used. Otherwise, a fire may occur.

(1) Combination and regenerative power

Servo amplifier	(Note) Regenerative power[W]							
	Built-in regenerative brake resistor	MR-RB032 [40Ω]	MR-RB12 [40Ω]	MR-RB32 [40Ω]	MR-RB30 [13Ω]	MR-RB50 [13Ω]	MR-RB31 [6.7Ω]	MR-RB51 [6.7Ω]
MR-J2S-10B(1)		30						
MR-J2S-20B(1)	10	30	100					
MR-J2S-40B(1)	10	30	100					
MR-J2S-60B	10	30	100					
MR-J2S-70B	20	30	100	300				
MR-J2S-100B	20	30	100	300				
MR-J2S-200B	100				300	500		
MR-J2S-350B	100				300	500		
MR-J2S-500B	130				300	500		
MR-J2S-700B	170						300	500

Note: This value is the regenerative power of the resistor and is not the rated power.

(2) Selection of the regenerative brake option

(a) Simple selection method

In horizontal motion applications, select the regenerative brake option as described below: When the servo motor is run without load in the regenerative mode from the running speed to a stop, the permissible duty is as indicated in Section 5.1 of the separately available Servo Motor Instruction Manual.

For the servo motor with a load, the permissible duty changes according to the inertia moment of the load and can be calculated by the following formula:

$$\text{Permissible duty} = \frac{\text{Permissible duty for servo motor with no load (value indication Section 5.1 in Servo Motor Instruction Manual)}}{(m+1)}$$

$$\times \left[\frac{\text{rated speed}}{\text{running speed}} \right]^2 [\text{times/min}]$$

where $m = \text{load inertia moment/servo motor inertia moment}$

From the permissible duty, find whether the regenerative brake option is required or not.

Permissible duty < number of positioning times [times/min]

Select the regenerative brake option out of the combinations in (1) in this section.

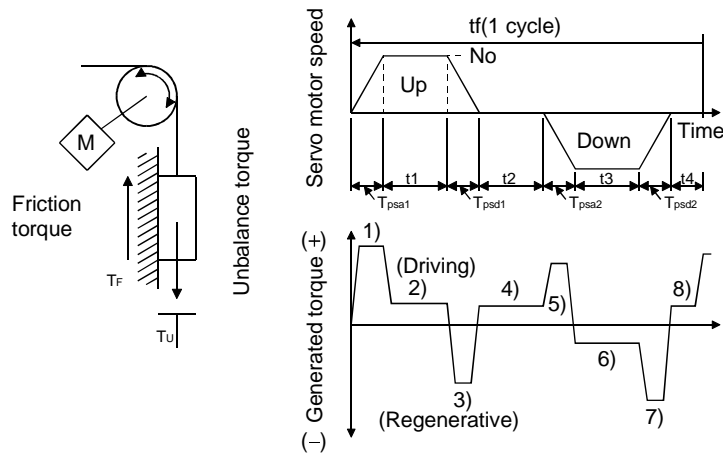
12. OPTIONS AND AUXILIARY EQUIPMENT

(b) To make selection according to regenerative energy

Use the following method when regeneration occurs continuously in vertical motion applications or when it is desired to make an in-depth selection of the regenerative brake option:

a. Regenerative energy calculation

Use the following table to calculate the regenerative energy.



Formulas for calculating torque and energy in operation

Regenerative power	Torque applied to servo motor [N · m]	Energy [J]
1)	$T_1 = \frac{(J_L + J_M) \cdot N_o}{9.55 \times 10^4} \cdot \frac{1}{T_{psa1}} + T_U + T_F$	$E_1 = \frac{0.1047}{2} \cdot N_o \cdot T_1 \cdot T_{psa1}$
2)	$T_2 = T_U + T_F$	$E_2 = 0.1047 \cdot N_o \cdot T_2 \cdot t_1$
3)	$T_3 = \frac{(J_L + J_M) \cdot N_o}{9.55 \times 10^4} \cdot \frac{1}{T_{psd1}} + T_U + T_F$	$E_3 = \frac{0.1047}{2} \cdot N_o \cdot T_3 \cdot T_{psd1}$
4), 8)	$T_4 = T_U$	$E_4 \geq 0$ (No regeneration)
5)	$T_5 = \frac{(J_L + J_M) \cdot N_o}{9.55 \times 10^4} \cdot \frac{1}{T_{psa2}} - T_U + T_F$	$E_5 = \frac{0.1047}{2} \cdot N_o \cdot T_5 \cdot T_{psa2}$
6)	$T_6 = T_U + T_F$	$E_6 = 0.1047 \cdot N_o \cdot T_6 \cdot t_3$
7)	$T_7 = \frac{(J_L + J_M) \cdot N_o}{9.55 \times 10^4} \cdot \frac{1}{T_{psd2}} - T_U + T_F$	$E_7 = \frac{0.1047}{2} \cdot N_o \cdot T_7 \cdot T_{psd2}$
Sum total of regenerative energies		Sum total of negative energies in 1) to 8)

b. Losses of servo motor and servo amplifier in regenerative mode

The following table lists the efficiencies and other data of the servo motor and servo amplifier in the regenerative mode.

Servo amplifier	Inverse efficiency[%]	Capacitor charging[J]
MR-J2S-10B(1)	55	9
MR-J2S-20B(1)	70	9
MR-J2S-40B(1)	85	11
MR-J2S-60B	85	11
MR-J2S-70B	80	18
MR-J2S-100B	80	18
MR-J2S-200B	85	40
MR-J2S-350B	85	40
MR-J2S-500B	90	45
MR-J2S-700B	90	70

Inverse efficiency (η) :Efficiency including some efficiencies of the servo motor and servo amplifier when rated (regenerative) torque is generated at rated speed. Since the efficiency varies with the speed and generated torque, allow for about 10%.

Capacitor charging (E_c) :Energy charged into the electrolytic capacitor in the servo amplifier.

12. OPTIONS AND AUXILIARY EQUIPMENT

Subtract the capacitor charging from the result of multiplying the sum total of regenerative energies by the inverse efficiency to calculate the energy consumed by the regenerative brake option.

$$ER [J] = \eta \cdot E_s - E_c$$

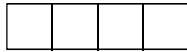
Calculate the power consumption of the regenerative brake option on the basis of single-cycle operation period t_f [s] to select the necessary regenerative brake option.

$$PR [W] = ER/t_f \dots\dots\dots (12.1)$$

(3) Parameter setting

Set parameter No.2 according to the option to be used.

Parameter No.2



- Selection of regenerative
- 00: Not used.
- 01: FR-RC • FR-RB
- 05: MR-RB32
- 08: MR-RB30
- 09: MR-RB50
- 0B: MR-RB31
- 0C: MR-RB51
- 10: MR-RB032
- 11: MR-RB12

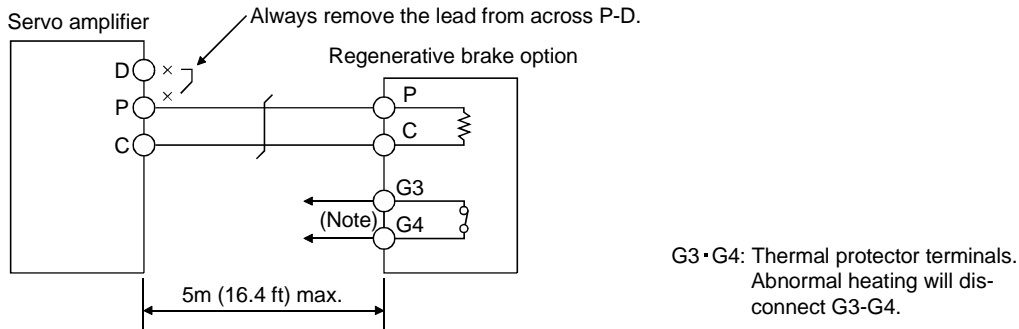
12. OPTIONS AND AUXILIARY EQUIPMENT

(4) Connection of the regenerative brake option

The regenerative brake option will generate heat of about 100°C. Fully examine heat dissipation, installation position, used cables, etc. before installing the option. For wiring, use flame-resistant cables and keep them clear of the regenerative brake option body. Always use twisted cables of max. 5m(16.4ft) length for connection with the servo amplifier.

(a) MR-J2S-350B or less

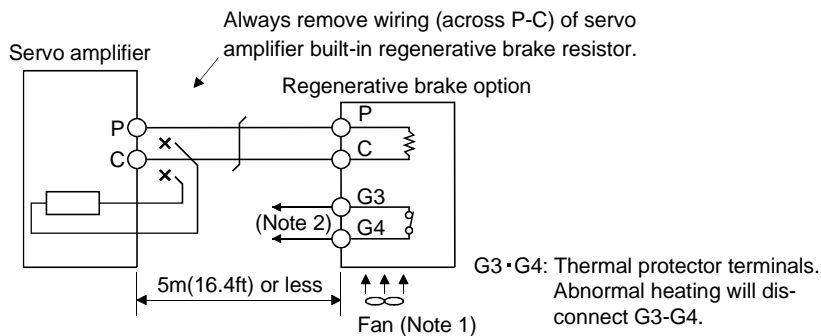
Always remove the wiring from across P-D and fit the regenerative brake option across P-C.



Note: Make up a sequence which will switch off the magnetic contactor (MC) when abnormal heating occurs.

(b) MR-J2S-500B • MR-J2S-700B

Always remove the wiring (across P-C) of the servo amplifier built-in regenerative brake resistor and fit the regenerative brake option across P-C.

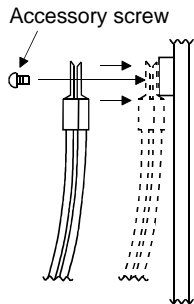


- Note 1. When using the MR-RB51, forcibly cool it with a cooling fan (1.0m³/min, □92 or so).
 2. Make up a sequence which will switch off the magnetic contactor (MC) when abnormal heating occurs.

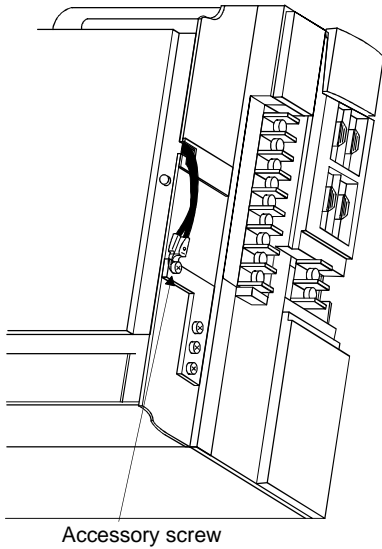
12. OPTIONS AND AUXILIARY EQUIPMENT

When using the regenerative brake resistor option, remove the servo amplifier's built-in regenerative brake resistor terminals (across P-C), fit them back to back, and secure them to the frame with the accessory screw as shown below.

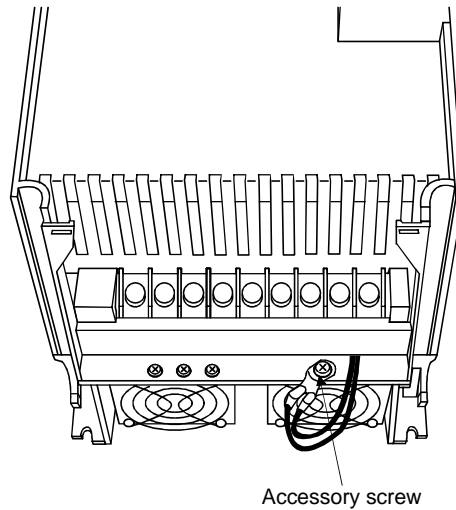
Mounting method



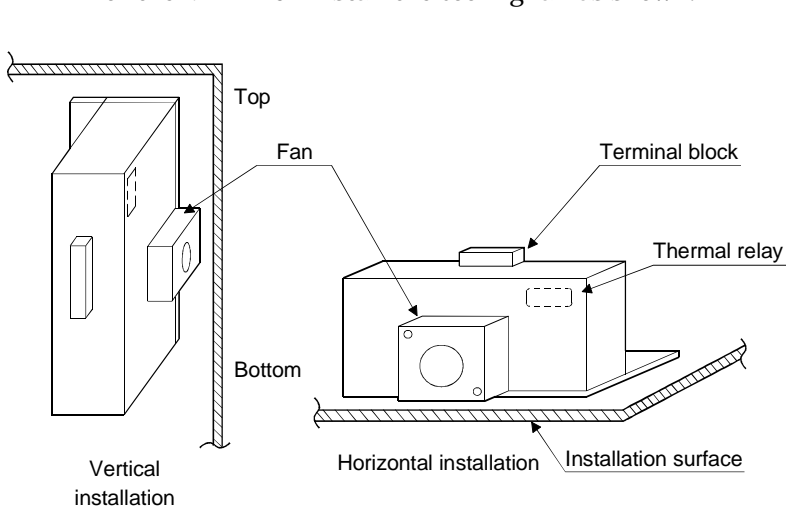
For MR-J2S-500B



For MR-J2S-700B

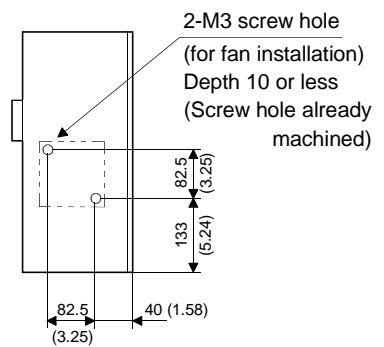


For the MR-RB51 install the cooling fan as shown.



[Unit : mm(in)]

Fan installation screw hole dimensions

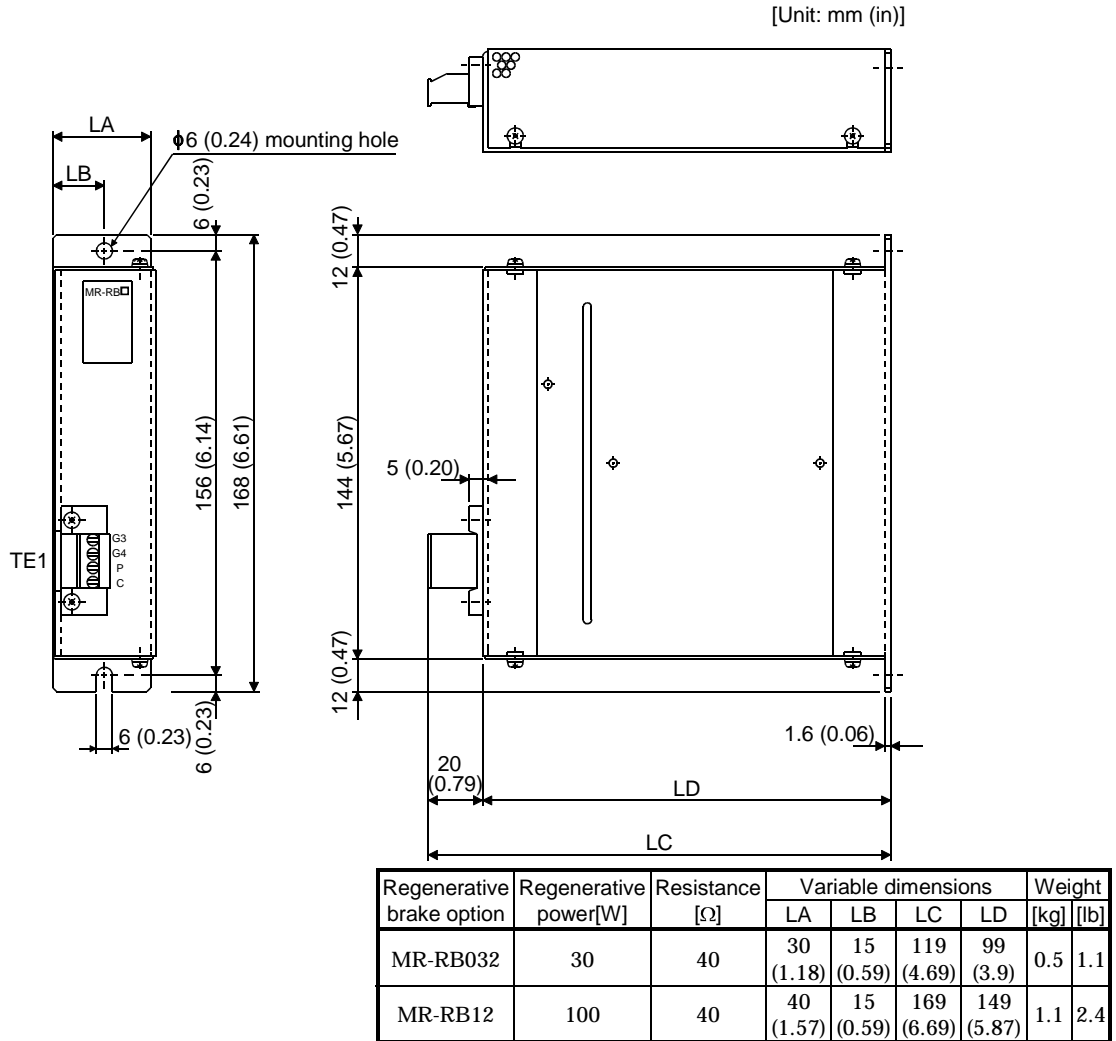


Recommended fan:
Toyo Denki's TL396A or equivalent

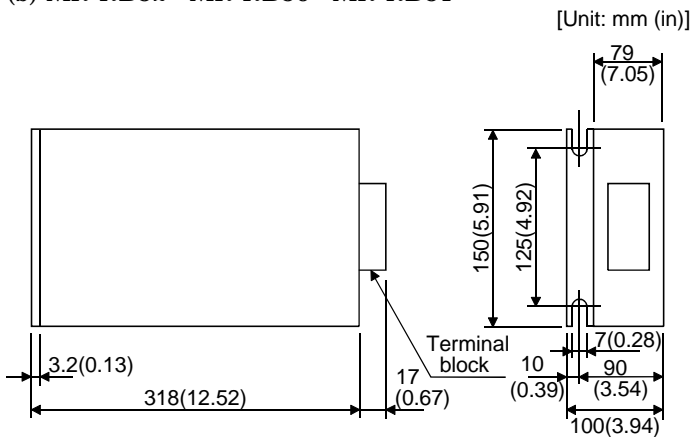
12. OPTIONS AND AUXILIARY EQUIPMENT

(5) Outline drawing

(a) MR-RB032 • MR-RB12

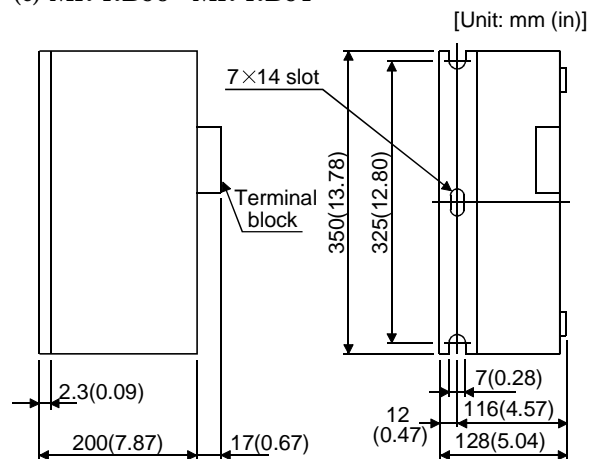


(b) MR-RB32 • MR-RB30 • MR-RB31



Regenerative brake option	Regenerative power [W]	Resistance [Ω]	Weight	
			[kg]	[lb]
MR-RB32	300	40	2.9	6.4
MR-RB30	300	13	2.9	6.4
MR-RB31	300	6.7	2.9	6.4

(c) MR-RB50 • MR-RB51



Regenerative brake option	Regenerative power [W]	Resistance [Ω]	Weight	
			[kg]	[lb]
MR-RB50	500	13	5.6	12.3
MR-RB51	500	6.7	5.6	12.3

12. OPTIONS AND AUXILIARY EQUIPMENT

12.1.2 Brake unit

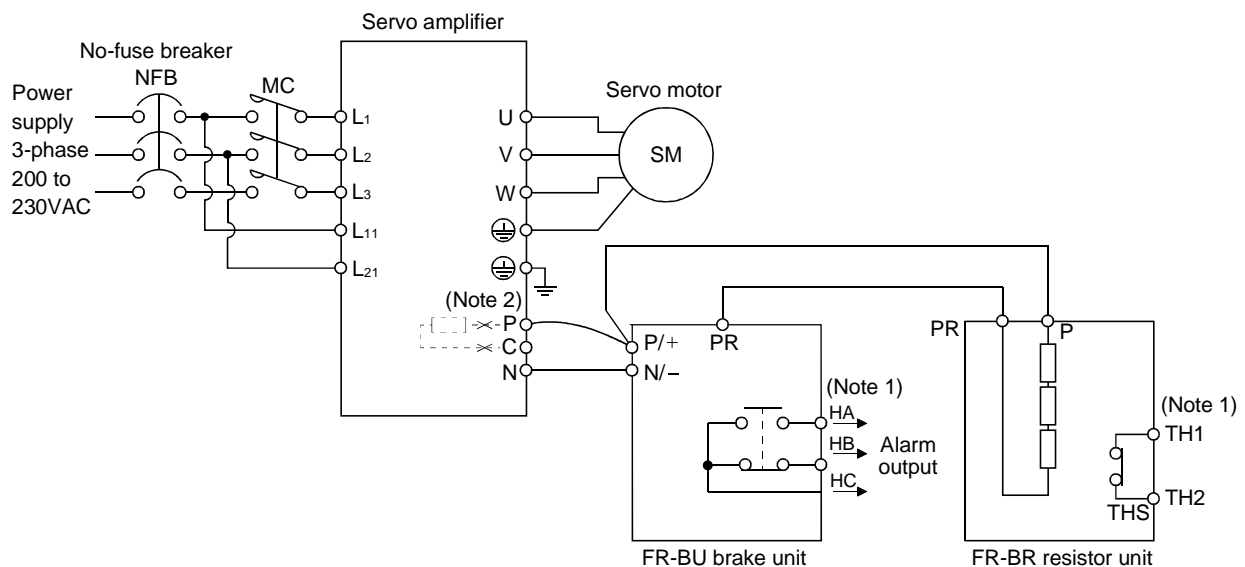
POINT
<ul style="list-style-type: none"> ▪ The brake unit and resistor unit of other than 200V class are not applicable to the servo amplifier. ▪ The brake unit and resistor unit of the same capacity must be combined. The units of different capacities may result in damage. ▪ The brake unit and resistor unit must be installed on a vertical surface in the vertical direction. If they are installed in the horizontal direction or on a horizontal surface, a heat dissipation effect reduces. ▪ The temperature of the resistor unit casing rises to higher than 100°C. Do not cause cables and combustibles to make contact with the casing.

The brake unit is the integration of the regenerative control and resistor and is connected to the bus (across P-N) of the servo amplifier. As compared to the MR-RB regenerative brake option, the brake unit can return larger power. Hence, use the this brake unit when the MR-RB cannot provide sufficient regenerative brake capability.

(1) Selection

Brake unit	Resistor unit	Permissible Continuous Power [kw]	Max. Instantaneous Current [kw]	Applicable Servo Amplifier
FR-BU-15K	FR-BR-15K	0.99	16.5	MR-J2S-500B
FR-BU-30K	FR-BR-30K	1.99	33.4	MR-J2S-700B

(2) Connection example

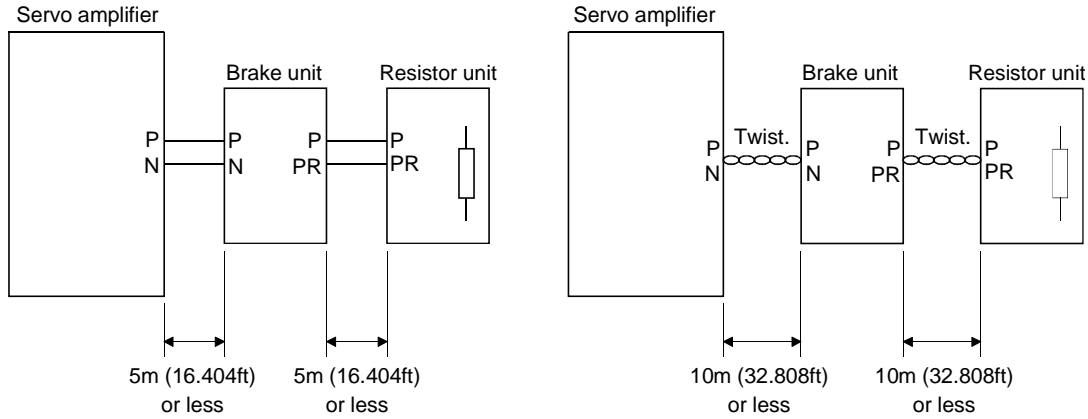


- Note 1. Make up the external sequence to switch the power off when an alarm occurs or when the thermal relay is actuated.
 2. Always remove the wiring (across P-C) of the servo amplifier built-in resistor.

12. OPTIONS AND AUXILIARY EQUIPMENT

The cables between the servo amplifier and brake unit and between the resistor unit and brake unit should be as short as possible. The cables longer than 5m(16.404ft) should be twisted. If twisted, the cables must not be longer than 10m(32.808ft).

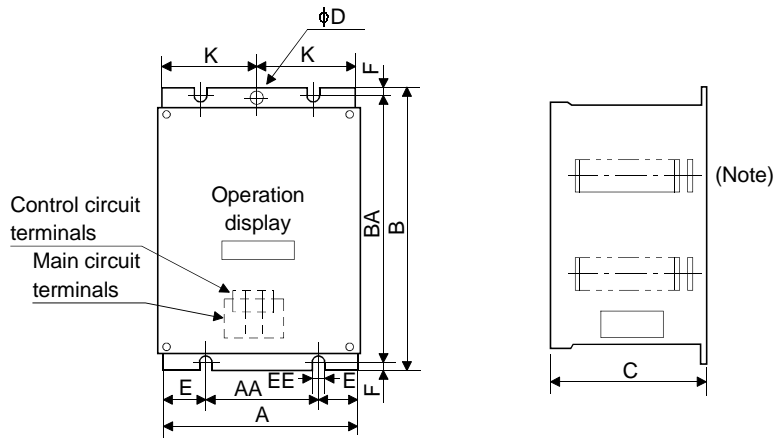
The cable size should be equal to or larger than the recommended size. See the brake unit instruction manual. You cannot connect one set of brake unit to two servo amplifiers or two sets of brake units to one servo amplifier.



(3) Outside dimensions

(a) Brake unit (FR-BU)

[Unit : mm(in)]



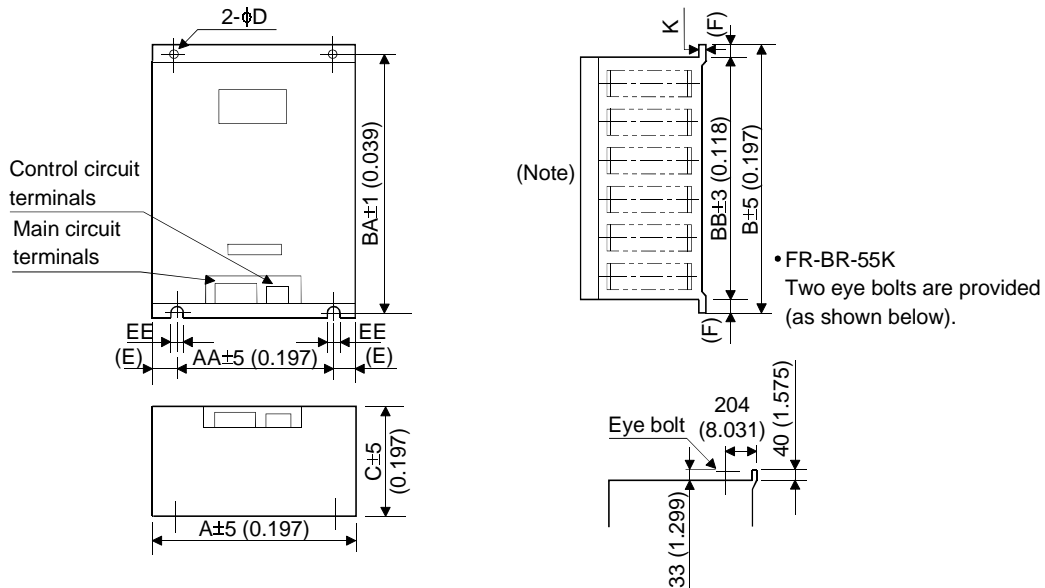
Note: Ventilation ports are provided in both side faces and top face. The bottom face is open.

Brake Unit	A	AA	B	BA	C	D	E	EE	K	F	Approx. Weight [kg(lb)]
FR-BU-15K	100 (3.937)	60 (2.362)	240 (9.446)	225 (10.039)	128 (5.039)	6 (0.236)	18.5 (0.728)	6 (0.236)	48.5 (1.909)	7.5 (0.295)	2.4 (5.291)
FR-BU-30K	160 (6.299)	90 (3.543)	240 (9.446)	225 (10.039)	128 (5.039)	6 (0.236)	33.5 (1.319)	6 (0.236)	78.5 (3.091)	7.5 (0.295)	3.2 (7.055)

12. OPTIONS AND AUXILIARY EQUIPMENT

(b) Resistor unit (FR-BR)

[Unit : mm(in)]



Note: Ventilation ports are provided in both side faces and top face. The bottom face is open.

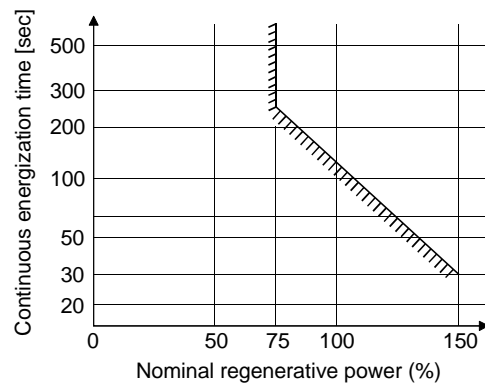
Resistor Unit Model	A	AA	B	BA	BB	C	D	E	EE	K	F	Approx. Weight [kg(lb)]
FR-BR-15K	170 (6.693)	100 (3.937)	450 (17.717)	432 (17.008)	410 (16.142)	220 (8.661)	6 (0.236)	35 (1.378)	6 (0.236)	1.6 (0.063)	20 (0.787)	15 (66.139)
FR-BR-30K	340 (11.389)	270 (10.63)	600 (23.622)	582 (22.913)	560 (22.047)	220 (8.661)	10 (0.394)	35 (1.378)	10 (0.394)	2 (0.079)	20 (0.787)	30 (33.069)

12.1.3 Power return converter

(1) Selection

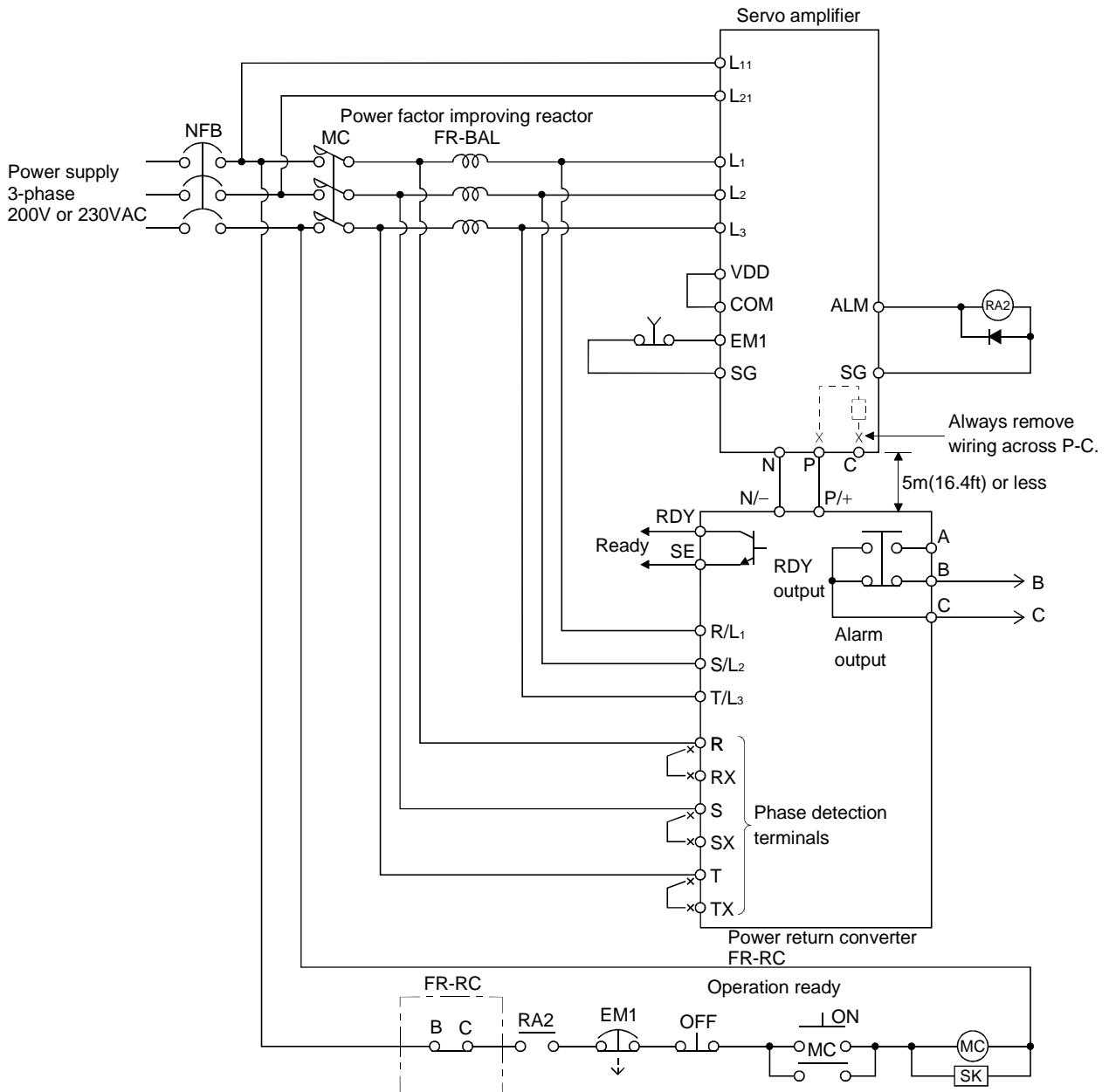
The converters can continuously return 75% of the nominal regenerative power. They are applied to the servo amplifiers of the MR-J2S-500B and MR-J2S-700B.

Power return converter	Nominal Regenerative Power (kW)	Servo Amplifier
FR-RC15	15	MR-J2S-500B
FR-RC30	30	MR-J2S-700B



12. OPTIONS AND AUXILIARY EQUIPMENT

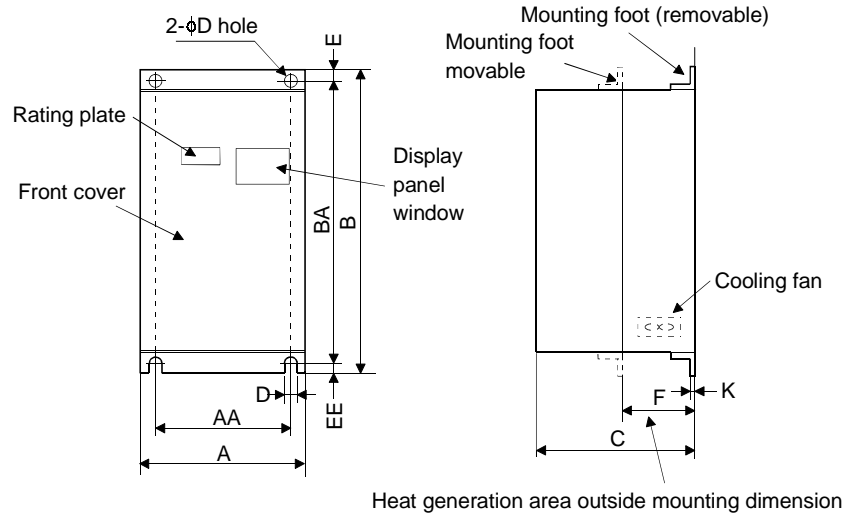
(2) Connection example



12. OPTIONS AND AUXILIARY EQUIPMENT

(3) Outside dimensions of the power return converters

[Unit : mm(in)]

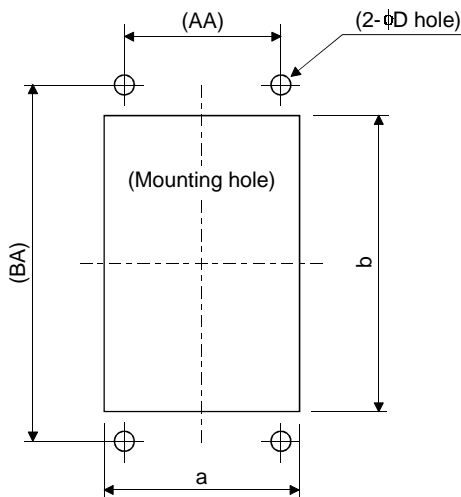


Power return converter	A	AA	B	BA	C	D	E	EE	K	F	Approx. Weight [kg(lb)]
FR-RC-15K	270 (10.630)	200 (7.874)	450 (17.717)	432 (17.008)	195 (7.677)	10 (0.394)	10 (0.394)	8 (0.315)	3.2 (0.126)	87 (3.425)	19 (41.888)
FR-RC-30K	340 (13.386)	270 (10.630)	600 (23.622)	582 (22.913)	195 (7.677)	10 (0.394)	10 (0.394)	8 (0.315)	3.2 (0.126)	90 (3.543)	31 (68.343)

(4) Mounting hole machining dimensions

When the power return converter is fitted to a totally enclosed type box, mount the heat generating area of the converter outside the box to provide heat generation measures. At this time, the mounting hole having the following dimensions is machined in the box.

[Unit : mm(in)]



Model	A	B	D	AA	BA
FR-RC-15K	260 (10.236)	412 (16.220)	10 (0.394)	200 (7.874)	432 (17.009)
FR-RC-30K	330 (12.992)	562 (22.126)	10 (0.394)	270 (10.630)	582 (22.913)

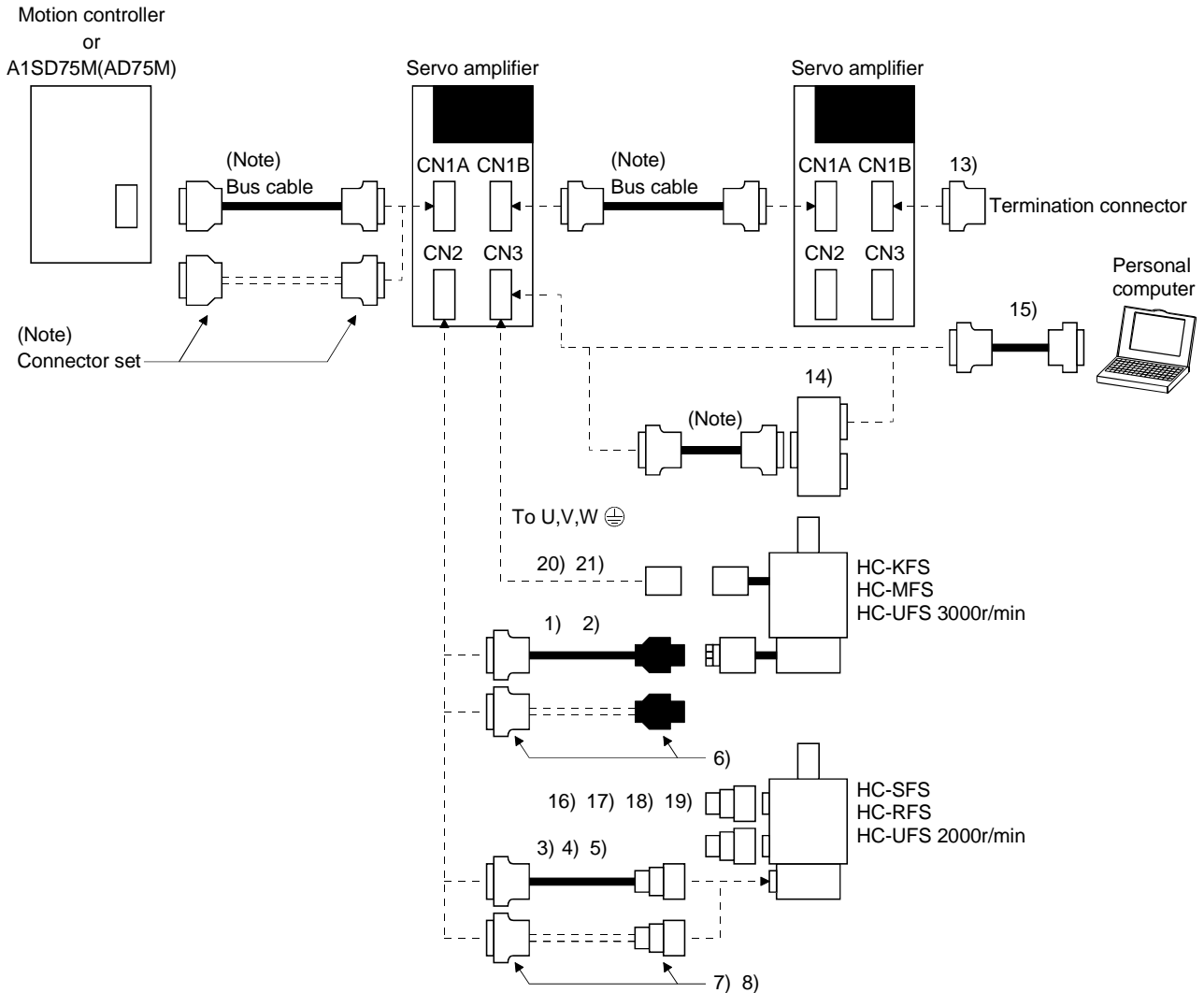
12. OPTIONS AND AUXILIARY EQUIPMENT

12.1.4 Cables and connectors

(1) Cable make-up

The following cables are used for connection with the servo motor and other models.





The broken line areas in the diagram are not options.








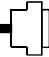
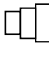


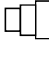


Note: The bus cable used with the SSCNET depends on the preceding or subsequent controller or servo amplifier connected. Refer to the following table and choose the bus cable.

	MR-J2S-□B	MR-J2-□B	MR-J2-03B5
A1SD75M(AD75M)	9) Bus cable :MR-J2HBUS □ M-A	11) Connector set:MR-J2CN1-A	
Motion controller	9) Bus cable :MR-J2HBUS □ M-A	11) Connector set:MR-J2CN1-A	
MR-J2S-□B	10) Bus cable :MR-J2HBUS □ M 12) Connector set:MR-J2CN1		
MR-J2-□B			
MR-J2-03B5			
Maintenance junction card			

12. OPTIONS AND AUXILIARY EQUIPMENT

No.	Product	Model	Description		Application
1)	Standard encoder cable	MR-JCCBL□M-L Refer to (2) in this section.	Connector: 10120-3000VE Shell kit: 10320-52F0-008 (3M or equivalent)	Housing: 1-172161-9 Connector pin: 170359-1 (AMP or equivalent)	Standard flexing life IP20
2)	Long flexing life encoder cable	MR-JCCBL□M-H Refer to (2) in this section.			Long flexing life IP20
3)	Standard encoder cable	MR-JHSCBL□M-L Refer to (2) in this section.	Connector: 10120-3000VE Shell kit: 10320-52F0-008 (3M or equivalent)	Plug: MS3106B20-29S Cable clamp: MS3057-12A (Japan Aviation Electronics)	Standard flexing life IP20
4)	Long flexing life encoder cable	MR-JHSCBL□M-H Refer to (2) in this section.			Long flexing life
5)	IP65-compliant encoder cable	MR-ENCBL□M-H Refer to (2) in this section.	Connector: 10120-3000VE Shell kit: 10320-52F0-008 (3M or equivalent)	Plug: MS3106A20-29S (D190) Cable clamp: CE3057-12A-3 (D265) Back shell: CE02-20BS-S (DDK)	Long flexing life IP65 IP67 Not oil-resistant.
6)	Encoder connector set	MR-J2CNM	Connector: 10120-3000VE Shell kit: 10320-52F0-008 (3M or equivalent)	Housing: 1-172161-9 Pin: 170359-1 Cable clamp: MTI-0002 (AMP or equivalent)	IP20
7)	Encoder connector set	MR-J2CNS	Connector: 10120-3000VE Shell kit: 10320-52F0-008 (3M or equivalent)	Plug: MS3106B20-29S Cable clamp: MS3057-12A (Japan Aviation Electronics)	IP20
8)	Encoder connector set	MR-ENCNS	Connector: 10120-3000VE Shell kit: 10320-52F0-008 (3M or equivalent)	Plug: MS3106A20-29S (D190) Cable clamp: CE3057-12A-3 (D265) Back shell: CE02-20BS-S (DDK)	IP65 IP67
9)	Bus cable	MR-J2HBUS□M-A Refer to (4) in this section.	Connector: PCR-S20FS Case: PCR-LS20LA1 (Honda Tsushin)	Connector: 10120-6000EL Shell kit: 10320-3210-000 (3M or equivalent)	
10)	Bus cable	MR-J2HBUS□M Refer to (4) in this section.	Connector: 10120-6000EL Shell kit: 10320-3210-000 (3M or equivalent)	Connector: 10120-6000EL Shell kit: 10320-3210-000 (3M or equivalent)	

12. OPTIONS AND AUXILIARY EQUIPMENT

No.	Product	Model	Description	Application	
11)	Connector set	MR-J2CN1-A Refer to (4) in this section	Connector: PCR-S20FS Shell kit: PCR-LS20LA1 (Honda Tsushin) 	Connector: 10120-3000EL Shell kit: 10320-52F0-008 (3M or equivalent) 	
12)	Control signal connector set	MR-J2CN1	Connector: 10120-3000VE Shell kit: 10320-52F0-008 (3M or equivalent) 	Qty: 2 each	
13)	Termination connector	MR-A-TM			
14)	Maintenance junction card	MR-J2CN3TM	Refer to Section 12.1.5.		
15)	Communication cable	MR-CPCATCBL3M Refer to (3) in this section.	Connector: 10120-6000EL Shell kit: 10320-3210-000 (3M or equivalent) 	Connector: DE-9SF-N Case: DE-C1-J6-S6 (Japan Aviation Electronics) 	For connection with PC-AT-compatible personal computer
16)	Power supply connector set	MR-PWCNS1 Refer to the Servo Motor Instruction Manual.		Plug: CE05-6A22-23SD-B-BSS Cable clamp: CE3057-12A-2 (D265) (DDK)	EN Standard-compliant IP65 IP67
17)	Power supply connector set	MR-PWCNS2 Refer to the Servo Motor Instruction Manual.		Plug: CE05-6A24-10SD-B-BSS Cable clamp: CE3057-16A-2 (D265) (DDK)	
18)	Power supply connector set	MR-PWCNS3 Refer to the Servo Motor Instruction Manual.		Plug: CE05-6A32-17SD-B-BSS Cable clamp: CE3057-20A-1 (D265) (DDK)	
19)	Brake connector set	MR-BKCN Refer to the Servo Motor Instruction Manual.		Plug: MS3106A10SL-4S (D190) (DDK) Cable connector: YS010-5-8 (Daiwa Dengyo)	EN Standard-compliant IP65 IP67
20)	Power supply connector set	MR-PWCNK1		Plug: 5559-04P-210 Terminal: 5558PBT3L (For AWG16)(6 pcs.) (molex)	IP20
21)	Power supply connector set	MR-PWCNK2		Plug: 5559-06P-210 Terminal: 5558PBT3L (For AWG16)(8 pcs.) (molex)	For motor with brake IP20

12. OPTIONS AND AUXILIARY EQUIPMENT

(2) Encoder cable



CAUTION

- If you have fabricated the encoder cable, connect it correctly. Otherwise, misoperation or explosion may occur.

POINT

- The encoder cable is not oil resistant.
- Refer to Section 11.4 for the flexing life of the encoder cable.

Generally use the encoder cable available as our options. If the required length is not found in the options, fabricate the cable on the customer side.

(a) MR-JCCBL□M-L • MR-JCCBL□M-H

These encoder cables are used with the HC-KFS • HC-MFS • HC-UFS3000r/min series servo motors.

1) Model explanation

Model: MR-JCCBL□M-□

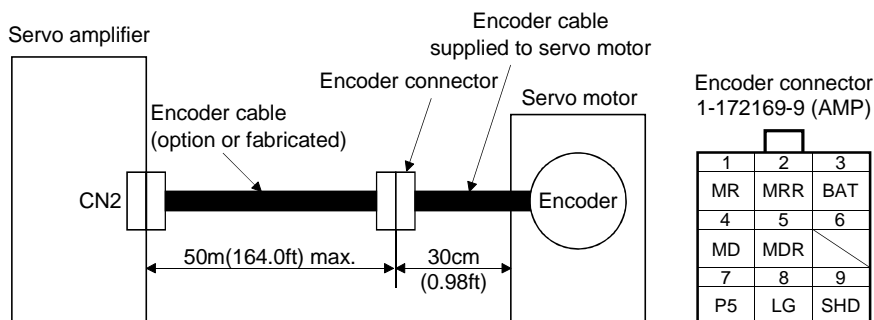
Symbol	Specifications
L	Standard flexing life
H	Long flexing life

Symbol	(Note) Cable length [m(ft)]
2	2 (6.56)
5	5 (16.4)
10	10 (32.8)
20	20 (65.6)
30	30 (98.4)
40	40 (131.2)
50	50 (164.0)

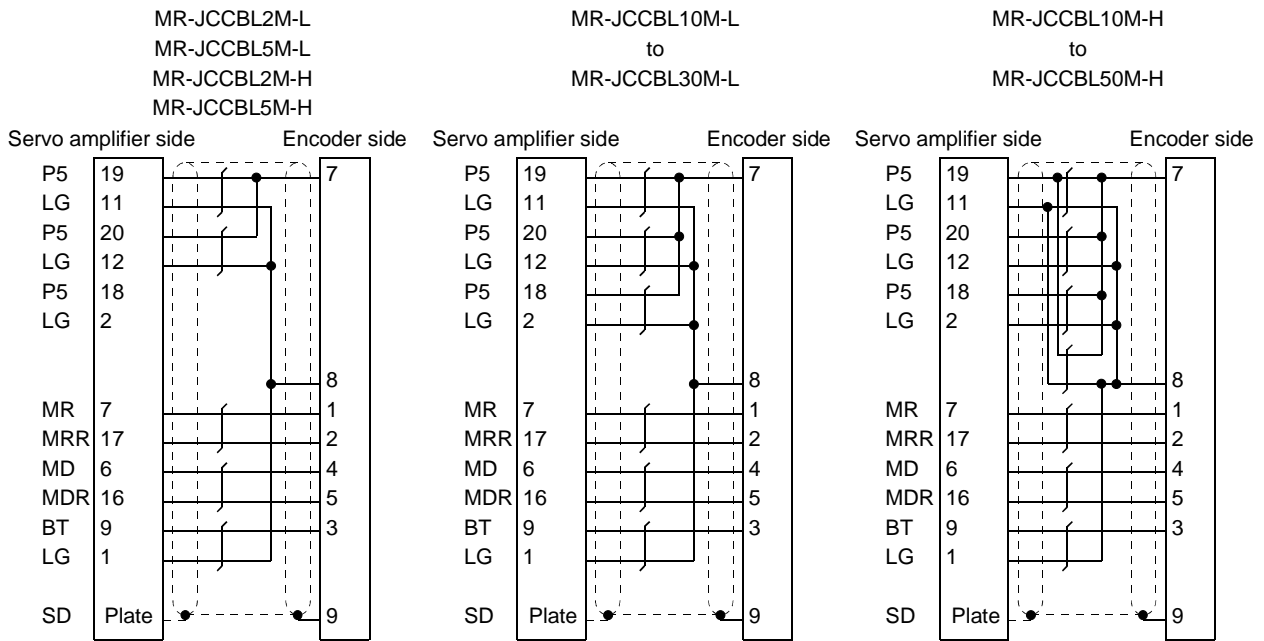
Note: MR-JCCBL□M-H has no 40(131.2) and 50m(164.0ft) sizes.

2) Connection diagram

The signal assignment of the encoder connector is as viewed from the pin side. For the pin assignment on the servo amplifier side, refer to Section 3.2.1.



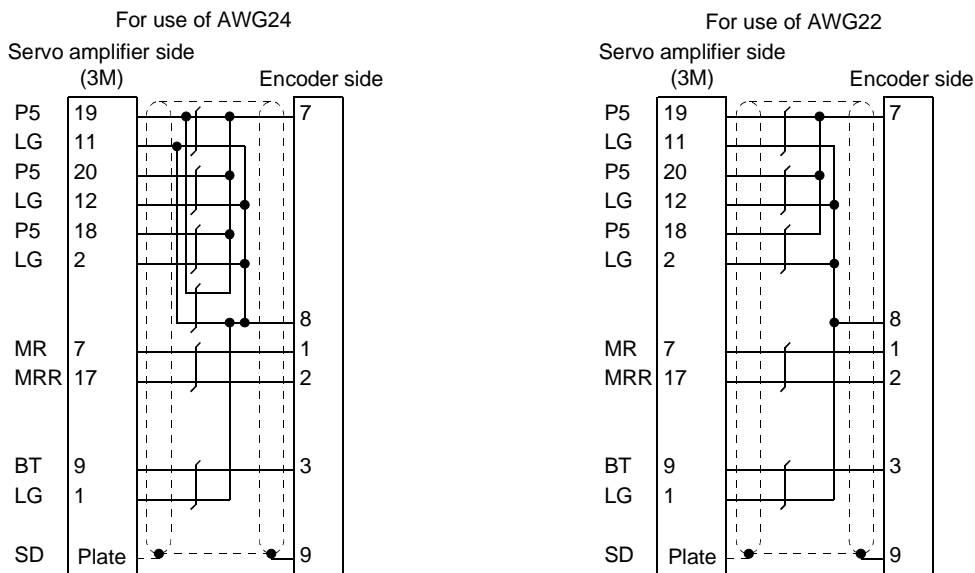
12. OPTIONS AND AUXILIARY EQUIPMENT



When fabricating an encoder cable, use the recommended wires given in Section 12.2.1 and the MR-J2CNM connector set for encoder cable fabrication, and fabricate an encoder cable as shown in the following wiring diagram. Referring to this wiring diagram, you can fabricate an encoder cable of up to 50m(164.0ft) length including the length of the encoder cable supplied to the servo motor.

When the encoder cable is to be fabricated by the customer, the wiring of MD and MDR is not required.

Refer to Chapter 3 of the servo motor instruction manual and choose the encode side connector according to the servo motor installation environment.



12. OPTIONS AND AUXILIARY EQUIPMENT

(b) MR-JHSCBL□M-L · MR-JHSCBL□M-H · MR-ENCBL□M-H

These encoder cables are used with the HC-SFS · HC-RFS · HC-UFS2000r/min series servo motors.

1) Model explanation

Model: MR-JHSCBL□M-□

Symbol	Specifications
L	Standard flexing life
H	Long flexing life

Symbol	Cable length [m(ft)]
2	2 (6.56)
5	5 (16.4)
10	10 (32.8)
20	20 (65.6)
30	30 (98.4)
40	40 (131.2)
50	50 (164.0)

Note: MR-JHSCBL□M-L has no 40(131.2) and 50m(164.0ft) sizes.

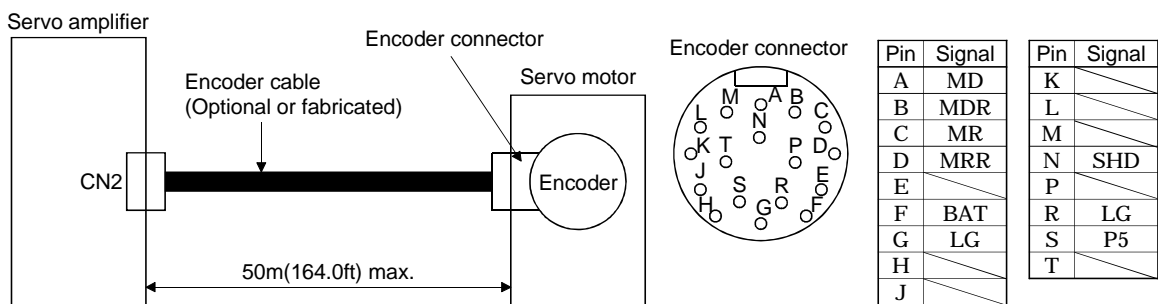
Model: MR-ENCBL□M-H

Symbol	Cable length [m(ft)]
2	2 (6.56)
5	5 (16.4)
10	10 (32.8)
20	20 (65.6)
30	30 (98.4)
40	40 (131.2)
50	50 (164.0)

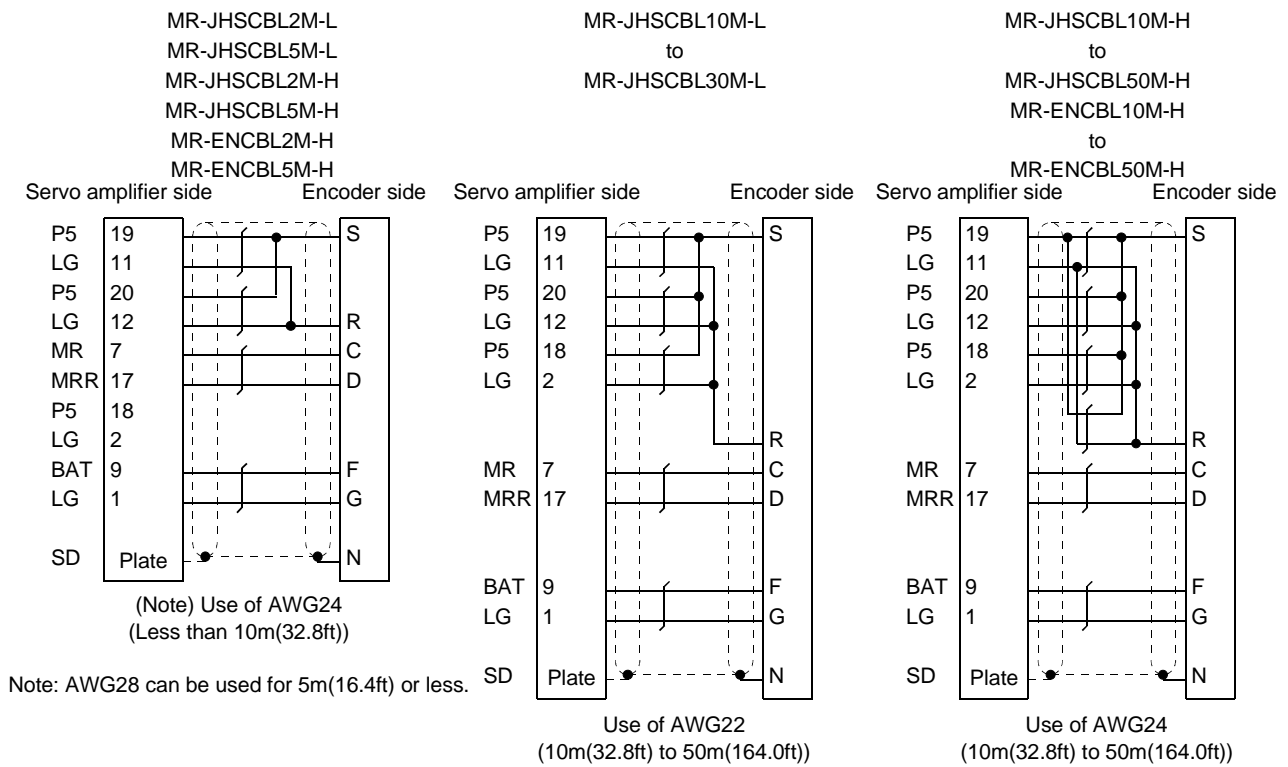
Long flexing life

2) Connection diagram

For the pin assignment on the servo amplifier side, refer to Section 3.2.1.



12. OPTIONS AND AUXILIARY EQUIPMENT



When fabricating an encoder cable, use the recommended wires given in Section 12.2.1 and the MR-J2CNS connector set for encoder cable fabrication, and fabricate an encoder cable in accordance with the optional encoder cable wiring diagram given in this section. You can fabricate an encoder cable of up to 50m(164.0ft) length.

Refer to Chapter 3 of the servo motor instruction guide and choose the encode side connector according to the servo motor installation environment.

12. OPTIONS AND AUXILIARY EQUIPMENT

(3) Communication cable

POINT
<ul style="list-style-type: none"> This cable may not be used with some personal computers. After fully examining the signals of the RS-232C connector, refer to this section and fabricate the cable.

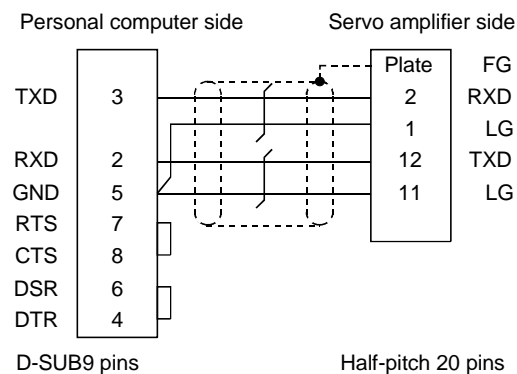
(a) Model definition

Model : MR-CPCATCBL3M

└── Cable length 3[m](10[ft])

(b) Connection diagram

• MR-CPCATCBL3M



When fabricating the cable, refer to the connection diagram in this section.

The following must be observed in fabrication:

- 1) Always use a shielded, multi-core cable and connect the shield with FG securely.
- 2) The optional communication cable is 3m(10ft) long. When the cable is fabricated, its maximum length is 15m(49ft) in offices of good environment with minimal noise.

12. OPTIONS AND AUXILIARY EQUIPMENT

(4) Bus cable



CAUTION

• When fabricating the bus cable, do not make incorrect connection. Doing so can cause misoperation or explosion.

When fabricating this cable, use the recommended cable given in Section 12.2.1 and fabricate it in accordance with the connection diagram shown in this section. The overall distance of the bus cable on the same bus is 30m(98.4ft).

(a) Model definition

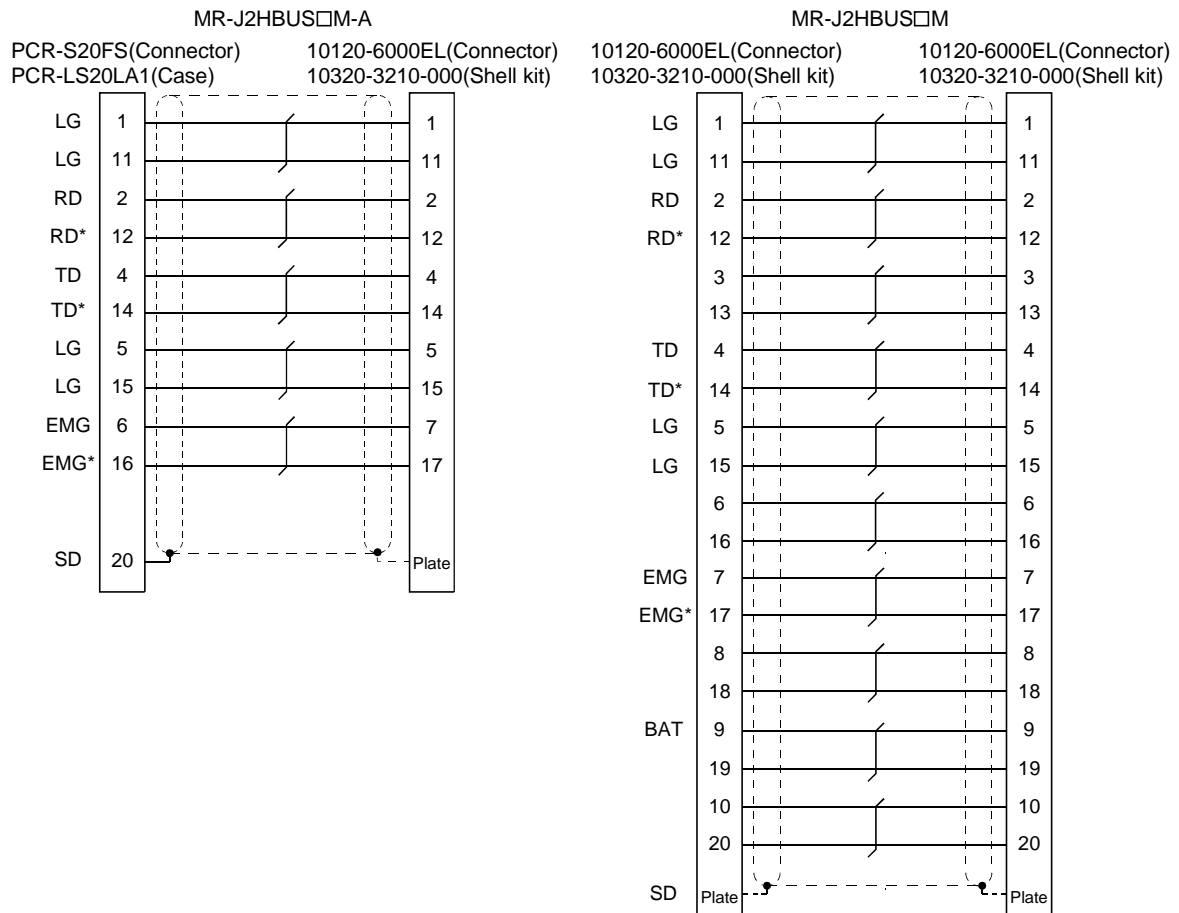
Model:MR-J2HBUS□M-A

Symbol	Cable Length [m(ft)]
05	0.5 (1.64)
5	5 (16.4)

Model:MR-J2HBUS□M

Symbol	Cable Length [m(ft)]
05	0.5 (1.64)
1	1 (3.28)
5	5 (16.4)

(b) Connection diagram

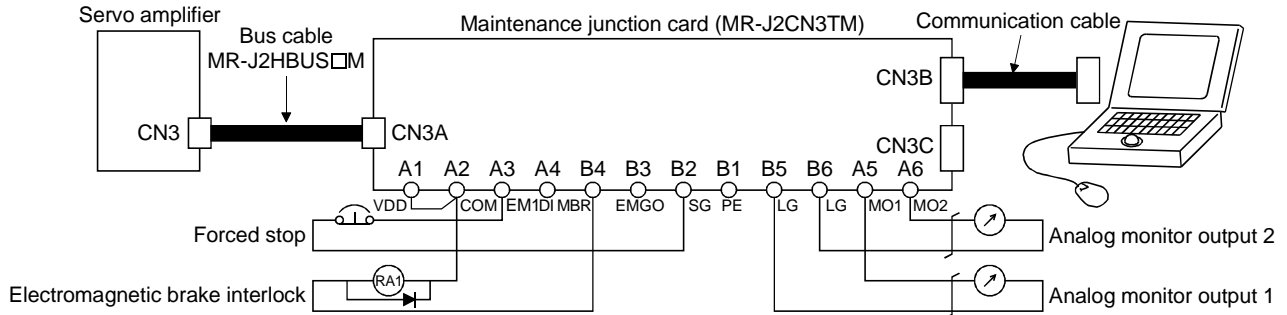


12. OPTIONS AND AUXILIARY EQUIPMENT

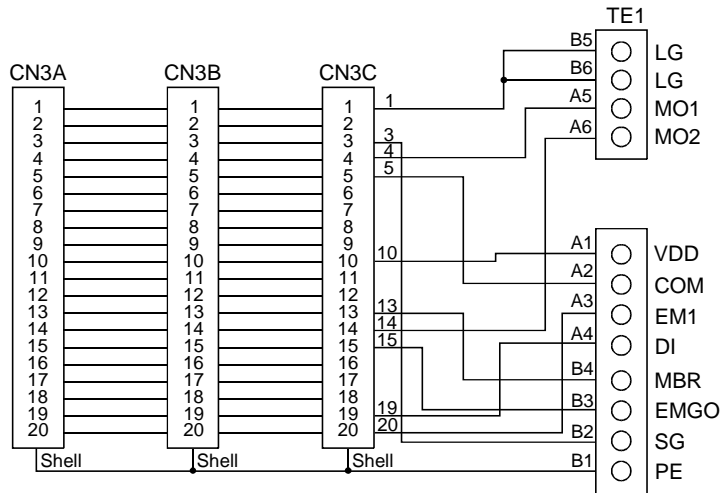
12.1.5 Maintenance junction card (MR-J2CN3TM)

(1) Usage

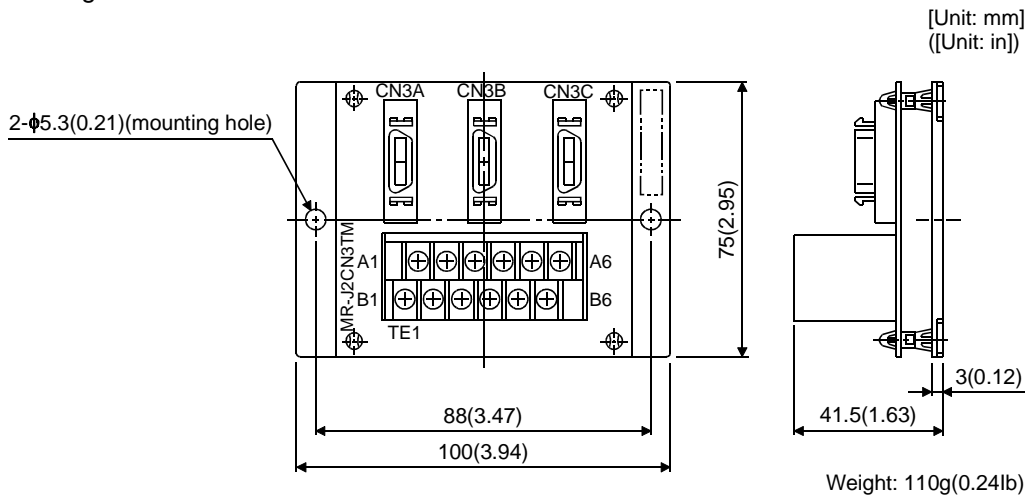
The maintenance junction card (MR-J2CN3TM) is designed for use when a personal computer and analog monitor outputs are used at the same time.



(2) Connection diagram



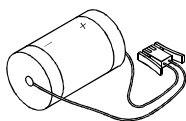
(3) Outline drawing



12. OPTIONS AND AUXILIARY EQUIPMENT

12.1.6 Battery (MR-BAT, A6BAT)

Use the battery to build an absolute position detection system.



12. OPTIONS AND AUXILIARY EQUIPMENT

12.1.7 Servo configurations software

The servo configuration software (MRZJW3-SETUP121E) uses the communication function of the servo amplifier to perform parameter setting changes, graph display, test operation, etc. on a personal computer.

(1) Specifications

Item	Description
Communication signal	Conforms to RS-232C.
Baudrate [bps]	57600, 38400, 19200, 9600
Monitor	Batch display, high-speed display, graph display Minimum resolution changes with the processing speed of the personal computer.
Alarm	Alarm display, alarm history, data display at alarm occurrence
Diagnostic	External I/O signal display, no-rotation reason display, cumulative power-on time display, software number display, motor information display, tuning data display, ABS data display, automatic VC offset display, shaft name setting.
Parameters	Data setting, list display, change list display, detailed information display, turning
Test operation	Jog operation, positioning operation, motor-less operation, output signal forced output, program operation in simple language.
Advanced function	Machine analyzer, gain search, machine simulation.
File operation	Data read, save, print
Others	Automatic operation, help display

(2) System configuration

(a) Components

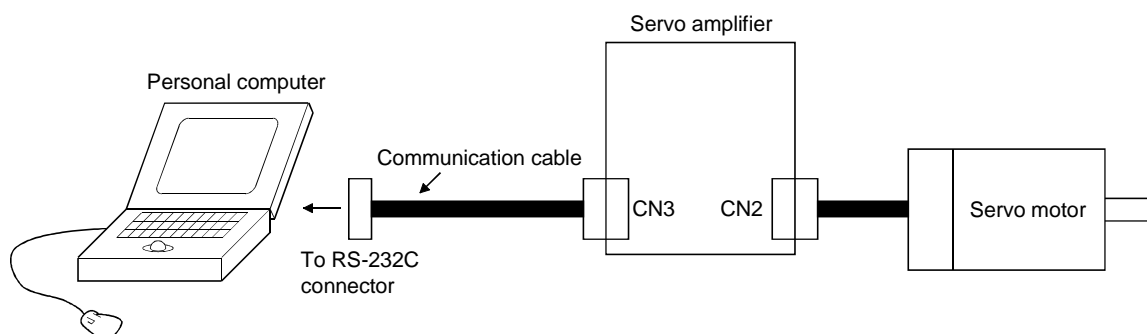
To use this software, the following components are required in addition to the servo amplifier and servo motor:

Model	Description
Personal computer	IBM PC-AT compatible on which Windows 95 or 98 (English) runs (Pentium133MHz or higher recommended).Memory: 16MB or more, hard disk free space: 20MB or more, serial port used.
OS	Windows 95/98 (English)
Display	800×600 or more, 256-color or more display which can be used with Windows 95/98 (English).
Keyboard	Which can be connected to the personal computer.
Mouse	Which can be used with Windows 95/98(English). Note that a serial mouse is not used.
Printer	Which can be used with Windows 95/98(English).
Communication cable	MR-CPCATCBL3M When this cannot be used, refer to (3) Section 12.1.4 and fabricate.

Note 1: Windows is a trade mark of Microsoft Corporation.

2: On some personal computers, this software may not run properly.

(b) Configuration diagram



12. OPTIONS AND AUXILIARY EQUIPMENT

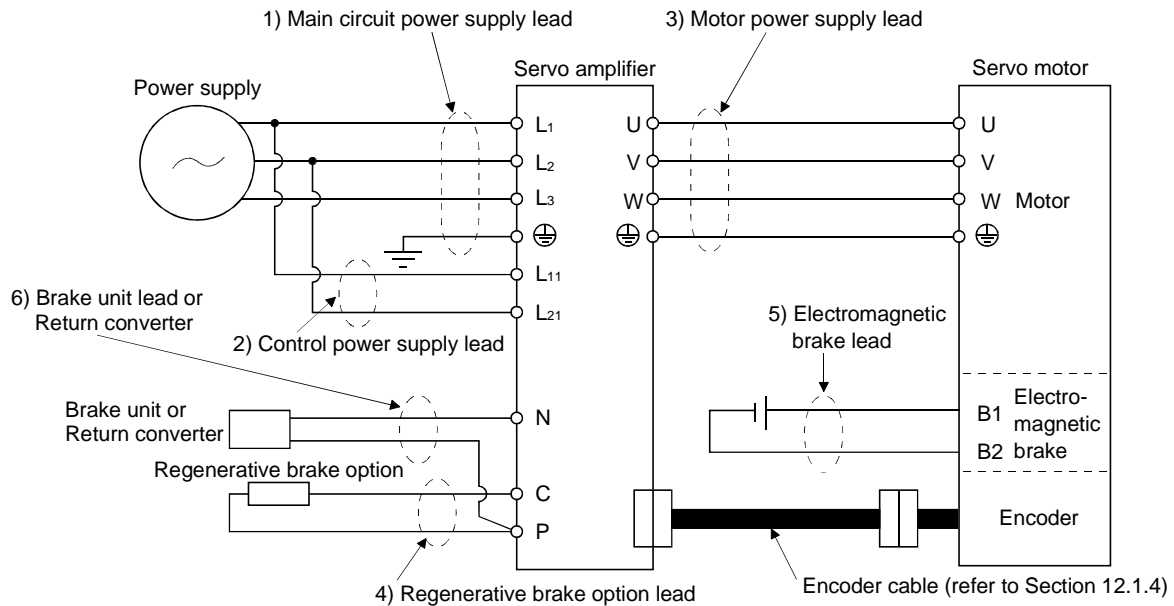
12.2 Auxiliary equipment

Always use the devices indicated in this section or equivalent. To comply with the EN Standard or UL/C-UL Standard, use the products which conform to the corresponding standard.

12.2.1 Recommended wires

(1) Wires for power supply wiring

The following diagram shows the wires used for wiring. Use the wires given in this section or equivalent.



The following table lists wire sizes. The wires used assume that they are 600V vinyl wires and the wiring distance is 30m(98.4ft) max. If the wiring distance is over 30m(98.4ft), choose the wire size in consideration of voltage drop.

The alphabets (a, b, c) in the table correspond to the crimping terminals (Table 12.2) used to wire the servo amplifier. For connection with the terminal block TE2 of the MR-J2S-100B or less, refer to Section 3.9.

The servo motor side connection method depends on the type and capacity of the servo motor. Refer to Section 3.6.

Table 12.1 Recommended wires

Servo amplifier	(Note 1) Wires [mm ²]				
	1) L1 · L2 · L3	2) L11 · L21	3) U · V · W · ⊕	4) P · C	5) B1 · B2
MR-J2S-10B(1)	2 (AWG14) : a	1.25 (AWG16)	1.25 (AWG16) : a	2 (AWG14) : a	1.25 (AWG16)
MR-J2S-20B(1)					
MR-J2S-40B(1)					
MR-J2S-60B					
MR-J2S-70B					
MR-J2S-100B	3.5 (AWG12) : b	1.25 (AWG16)	2 (AWG14) : a	2 (AWG14) : a	1.25 (AWG16)
MR-J2S-200B					
MR-J2S-350B	5.5 (AWG10) : b	1.25 (AWG16)	(Note 2) 5.5 (AWG10) : b	2 (AWG14) : a	1.25 (AWG16)
MR-J2S-500B					
MR-J2S-700B					
MR-J2S-700B	8 (AWG8) : c	1.25 (AWG16)	8 (AWG8) : c	3.5(AW12) : c	1.25 (AWG16)

Note: 1. For the crimping terminals and applicable tools, see the table 12.2.

2. 3.5mm² for use of the HC-RFS203 servo motor.

12. OPTIONS AND AUXILIARY EQUIPMENT

Use wires 6) of the following sizes with the brake unit (FR-BU) and power return converter (FR-RC).

Model	Wires[mm ²]
FR-BU-15K	3.5(AWG12)
FR-BU-30K	5.5(AWG10)
FR-BU-55K	14(AWG6)
FR-RC-15K	14(AWG6)

Table 12.2 Recommended crimping terminals

Symbol	Servo amplifier side crimping terminals		
	Crimping terminal	Applicable tool	Maker name
a	32959	47387	AMP
b	32968	59239	
c	FVD8-5	Body YF-1 · E-4 Head YNE-38 Die DH-111 · DH-121	Japan Solderless Terminal

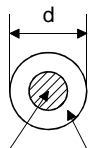
(2) Wires for cables

When fabricating a cable, use the wire models given in the following table or equivalent:

Table 12.3 Wires for option cables

Type	Model	Length [m(ft)]	Core size [mm ²]	Number of Cores	Characteristics of one core			(Note 3) Finishing OD [mm]	Wire model
					Structure [Wires/mm]	Conductor resistance[Ω/mm]	Insulation coating ODd[mm] (Note 1)		
Encoder cable	MR-JCCBL□M-L	2 to 10 (6.56 to 32.8)	0.08	12 (6 pairs)	7/0.127	222	0.38	5.6	UL20276 AWG#28 6pair (BLAC)
		20·30 (65.6·98.4)	0.3	12 (6 pairs)	12/0.18	62	1.2	8.2	UL20276 AWG#22 6pair (BLAC)
	MR-JCCBL□M-H	2·5 (6.56·16.4)	0.2	12 (6 pairs)	40/0.08	105	0.88	7.2	(Note 2) A14B2343 6P
		10 to 50 (32.8 to 164)	0.2	14 (7 pairs)	40/0.08	105	0.88	8.0	(Note 2) A14B0238 7P
	MR-JHSCBL□M-L	2·5 (6.56·16.4)	0.08	8 (4 pairs)	7/0.127	222	0.38	4.7	UL20276 AWG#28 4pair (BLAC)
		10 to 30 (32.8 to 98.4)	0.3	12 (6 pairs)	12/0.18	62	1.2	8.2	UL20276 AWG#22 6pair (BLAC)
	MR-JHSCBL□M-H	2·5 (6.56·16.4)	0.2	8 (4 pairs)	40/0.08	105	0.88	6.5	(Note 2) A14B2339 4P
		10 to 50 (32.8 to 164)	0.2	12 (6 pairs)	40/0.08	105	0.88	7.2	(Note 2) A14B2343 6P
	MR-ENCBL□M-H	2·5 (6.56·16.4)	0.2	8 (4 pairs)	40/0.08	105	0.88	6.5	(Note 2) A14B2339 4P
		10 to 50 (32.8 to 164)	0.2	12 (6 pairs)	40/0.08	105	0.88	7.2	(Note 2) A14B2343 6P
Communication cable	MR-CPCATCBL3M	3 (9.84)	0.08	6 (3 pairs)	7/0.127	222	0.38	4.6	UL20276 AWG#28 3pair (BLAC)
Bus cable	MR-J2HBUS□M	0.5 to 5 (1.64 to 16.4)	0.08	20 (10 pairs)	7/0.127	222	0.38	6.1	UL20276 AWG#28 10pair (CREAM)
	MR-J2HBUS□M-A	0.5 to 5 (1.64 to 16.4)							

Note 1: d is as shown below:



Conductor Insulation sheath

2: Purchased from Toa Electric Industry

3: Standard OD. Max. OD is about 10% greater.

12. OPTIONS AND AUXILIARY EQUIPMENT

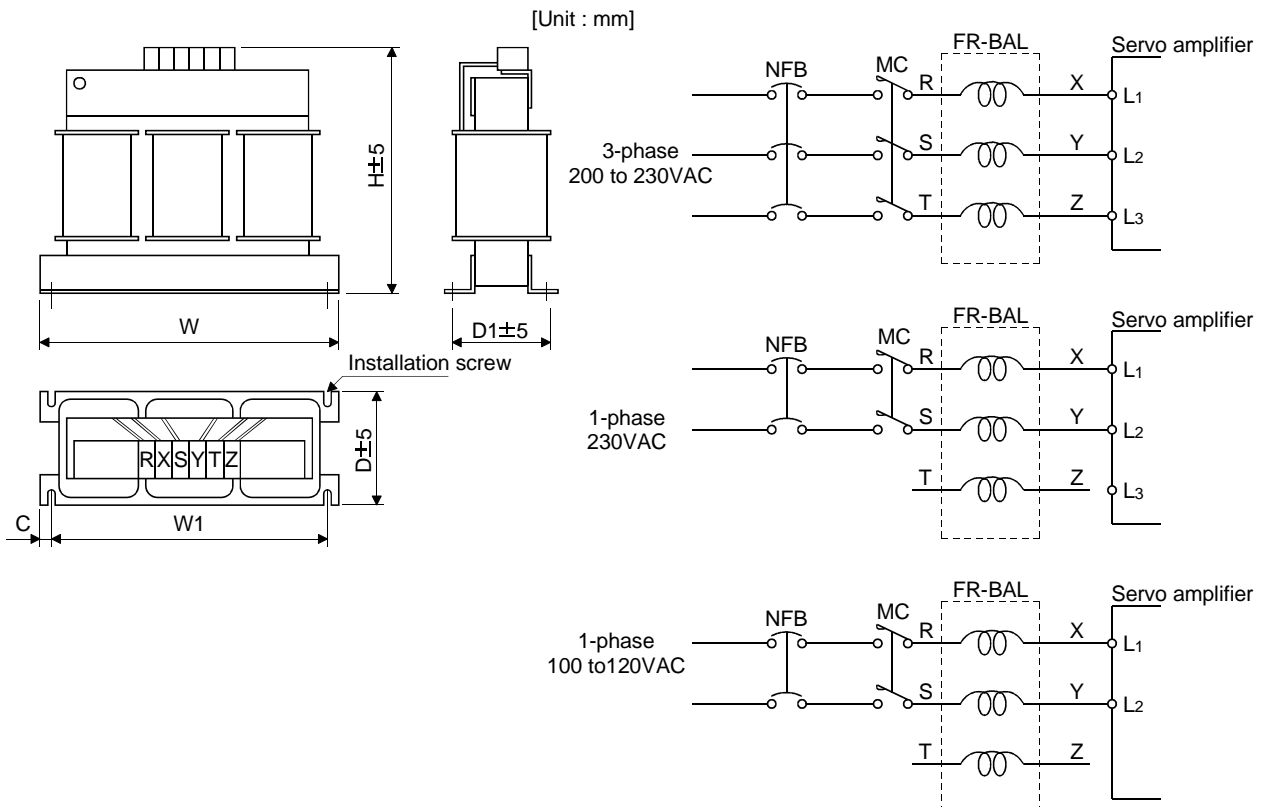
12.2.2 No-fuse breakers, fuses, magnetic contactors

Always use one no-fuse breaker and one magnetic contactor with one servo amplifier. When using a fuse instead of the no-fuse breaker, use the one having the specifications given in this section.

Servo amplifier	No-fuse breaker	Fuse			Magnetic contactor
		Class	Current [A]	Voltage [V]	
MR-J2S-10B(1)	NF30 type 5A	K5	10	AC250	S-N10
MR-J2S-20B	NF30 type 5A	K5	10		
MR-J2S-40B · 20B1	NF30 type 10A	K5	15		
MR-J2S-60B · 40B1	NF30 type 15A	K5	20		
MR-J2S-70B	NF30 type 15A	K5	20		
MR-J2S-100B	NF30 type 15A	K5	25		
MR-J2S-200B	NF30 type 20A	K5	40		S-N18
MR-J2S-350B	NF30 type 30A	K5	70		S-N20
MR-J2S-500B	NF50 type 50A	K5	125		S-N35
MR-J2S-700B	NF100 type 75A	K5	150		S-N50

12.2.3 Power factor improving reactors

The input power factor is improved to be about 90%. For use with a 1-phase power supply, it may be slightly lower than 90%.



Servo amplifier	Model	Dimensions [mm (in)]							Mounting screw size	Terminal screw size	Weight [kg (lb)]
		W	W1	H	D	D1	C				
MR-J2S-10B(1)/20B	FR-BAL-0.4K	135 (5.31)	120 (4.72)	115 (4.53)	59 (2.32)	45 (1.77)	7.5 (0.29)	M4	M3.5	2.0 (4.4)	
MR-J2S-40B/20B1	FR-BAL-0.75K	135 (5.31)	120 (4.72)	115 (4.53)	69 (2.72)	57 (2.24)	7.5 (0.29)	M4	M3.5	2.8 (6.17)	
MR-J2S-60B/70B/40B1	FR-BAL-1.5K	160 (6.30)	145 (5.71)	140 (5.51)	71 (2.79)	55 (2.17)	7.5 (0.29)	M4	M3.5	3.7 (8.16)	
MR-J2S-100B	FR-BAL-2.2K	160 (6.30)	145 (5.71)	140 (5.51)	91 (3.58)	75 (2.95)	7.5 (0.29)	M4	M3.5	5.6 (12.35)	
MR-J2S-100B	FR-BAL-3.7K	220 (8.66)	200 (7.87)	192 (7.56)	90 (3.54)	70 (2.76)	10 (0.39)	M5	M4	8.5 (18.74)	
MR-J2S-200B	FR-BAL-5.5K	220 (8.66)	200 (7.87)	192 (7.56)	96 (3.78)	75 (2.95)	10 (0.39)	M5	M4	9.5 (20.94)	
MR-J2S-350B	FR-BAL-7.5K	220 (8.66)	200 (7.87)	194 (7.64)	120 (4.72)	100 (3.94)	10 (0.39)	M5	M5	14.5 (32.0)	
MR-J2S-500B	FR-BAL-11K	280 (11.02)	255 (10.04)	220 (8.66)	135 (5.31)	100 (3.94)	12.5 (0.49)	M6	M6	19 (41.9)	
MR-J2S-700B	FR-BAL-15K	295 (11.61)	270 (10.62)	275 (10.83)	133 (5.24)	110 (4.33)	12.5 (0.49)	M6	M6	27 (59.5)	

12. OPTIONS AND AUXILIARY EQUIPMENT

12.2.4 Relays

The following relays should be used with the interfaces:

Interface	Selection example
Relay used especially for switching on-off analog input command and input command (interface DI-1) signals	To prevent defective contacts , use a relay for small signal (twin contacts). (Ex.) Omron : type G2A , MY
Relay used for digital output signals (interface DO-1)	Small relay with 12VDC or 24VDC of 40mA or less (Ex.) Omron : type MY

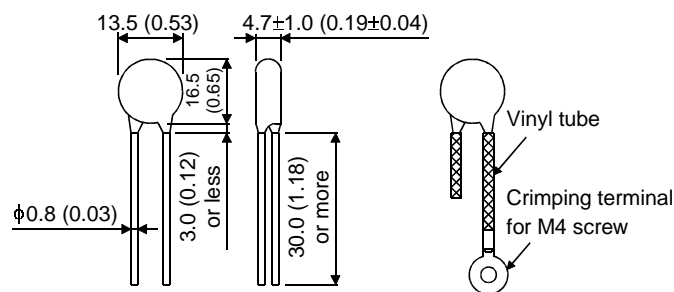
12.2.5 Surge absorbers

A surge absorber is required for the electromagnetic brake. Use the following surge absorber or equivalent. Insulate the wiring as shown in the diagram.

Maximum rating					Maximum limit voltage	Static capacity (reference value)	Varistor voltage rating (range) V1mA	
Permissible circuit voltage	Surge immunity	Energy immunity	Rated power					
AC[Vma]	DC[V]	[A]	[J]	[W]	[A]	[V]	[pF]	[V]
140	180	(Note) 500/time	5	0.4	25	360	300	220 (198 to 242)

Note: 1 time = $8 \times 20\mu\text{s}$

(Example) ERZV10D221 (Matsushita Electric Industry)
 TNR-10V221K (Nippon Chemi-con)
 Outline drawing [mm] ([in]) (ERZ-C10DK221)



12.2.6 Noise reduction techniques

Noises are classified into external noises which enter the servo amplifier to cause it to malfunction and those radiated by the servo amplifier to cause peripheral devices to malfunction. Since the servo amplifier is an electronic device which handles small signals, the following general noise reduction techniques are required.

Also, the servo amplifier can be a source of noise as its outputs are chopped by high carrier frequencies. If peripheral devices malfunction due to noises produced by the servo amplifier, noise suppression measures must be taken. The measures will vary slightly with the routes of noise transmission.

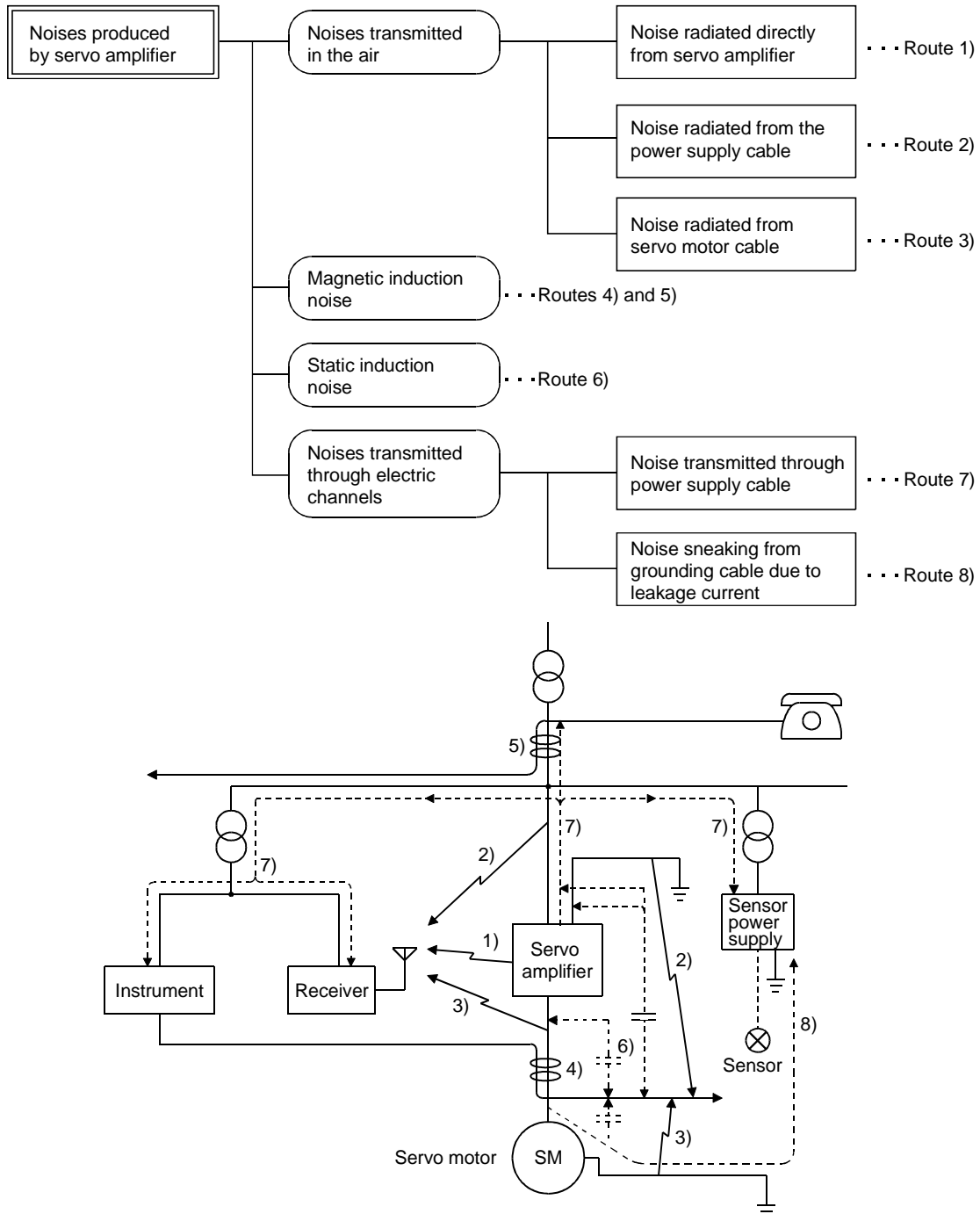
(1) Noise reduction techniques

(a) General reduction techniques

- Avoid laying power lines (input and output cables) and signal cables side by side or do not bundle them together. Separate power lines from signal cables.
- Use shielded, twisted pair cables for connection with the encoder and for control signal transmission, and connect the shield to the SD terminal.
- Ground the servo amplifier, servo motor, etc. together at one point (refer to Section 3.9).

12. OPTIONS AND AUXILIARY EQUIPMENT

- (b) Reduction techniques for external noises that cause the servo amplifier to malfunction
 If there are noise sources (such as a magnetic contactor, an electromagnetic brake, and many relays which make a large amount of noise) near the servo amplifier and the servo amplifier may malfunction, the following countermeasures are required.
- Provide surge absorbers on the noise sources to suppress noises.
 - Attach data line filters to the signal cables.
 - Ground the shields of the encoder connecting cable and the control signal cables with cable clamp fittings.
- (c) Techniques for noises radiated by the servo amplifier that cause peripheral devices to malfunction
 Noises produced by the servo amplifier are classified into those radiated from the cables connected to the servo amplifier and its main circuits (input and output circuits), those induced electromagnetically or statically by the signal cables of the peripheral devices located near the main circuit cables, and those transmitted through the power supply cables.



12. OPTIONS AND AUXILIARY EQUIPMENT

Noise transmission route	Suppression techniques
1) 2) 3)	<p>When measuring instruments, receivers, sensors, etc. which handle weak signals and may malfunction due to noise and/or their signal cables are contained in a control box together with the servo amplifier or run near the servo amplifier, such devices may malfunction due to noises transmitted through the air. The following techniques are required.</p> <p>(1) Provide maximum clearance between easily affected devices and the servo amplifier. (2) Provide maximum clearance between easily affected signal cables and the I/O cables of the servo amplifier. (3) Avoid laying the power lines (I/O cables of the servo amplifier) and signal cables side by side or bundling them together. (4) Insert a line noise filter to the I/O cables or a radio noise filter on the input line. (5) Use shielded wires for signal and power cables or put cables in separate metal conduits.</p>
4) 5) 6)	<p>When the power lines and the signal cables are laid side by side or bundled together, magnetic induction noise and static induction noise will be transmitted through the signal cables and malfunction may occur. The following techniques are required.</p> <p>(1) Provide maximum clearance between easily affected devices and the servo amplifier. (2) Provide maximum clearance between easily affected signal cables and the I/O cables of the servo amplifier. (3) Avoid laying the power lines (I/O cables of the servo amplifier) and signal cables side by side or bundling them together. (4) Use shielded wires for signal and power cables or put the cables in separate metal conduits.</p>
7)	<p>When the power supply of peripheral devices is connected to the power supply of the servo amplifier system, noises produced by the servo amplifier may be transmitted back through the power supply cable and the devices may malfunction. The following techniques are required.</p> <p>(1) Insert the radio noise filter (FR-BIF) on the power cables (input cables) of the servo amplifier. (2) Insert the line noise filter (FR-BSF01 · FR-BLF) on the power cables of the servo amplifier.</p>
8)	<p>When the cables of peripheral devices are connected to the servo amplifier to make a closed loop circuit, leakage current may flow to malfunction the peripheral devices. If so, malfunction may be prevented by disconnecting the grounding cable of the peripheral device.</p>

(2) Noise reduction products

(a) Data line filter

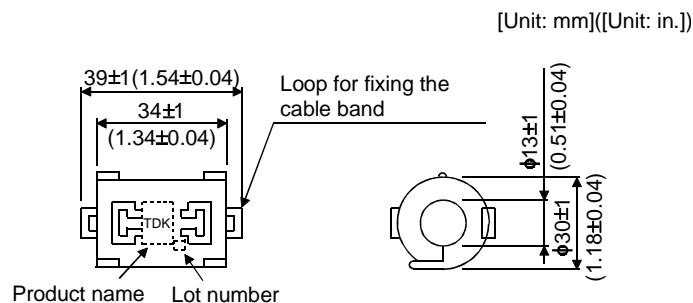
Noise can be prevented by installing a data line filter onto the encoder cable, etc.

For example, the ZCAT3035-1330 of TDK and the ESD-SR-25 of Tokin are available as data line filters.

As a reference example, the impedance specifications of the ZCAT3035-1330 (TDK) are indicated below.

This impedances are reference values and not guaranteed values.

Impedance[Ω]	
10 to 100MHZ	100 to 500MHZ
80	150

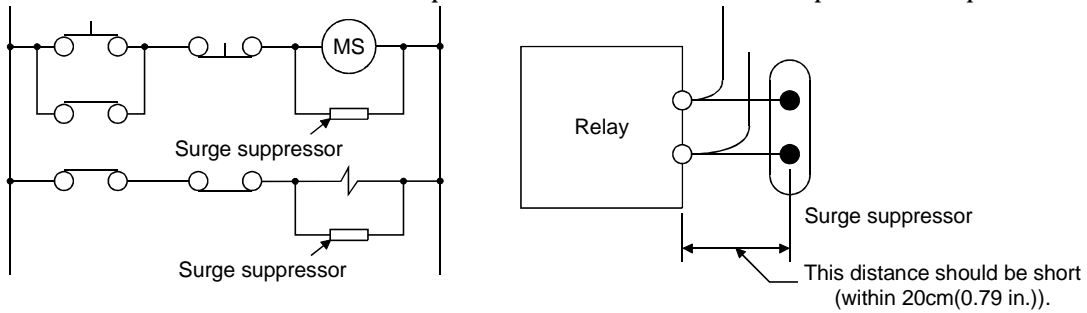


Outline drawing (ZCAT3035-1330)

12. OPTIONS AND AUXILIARY EQUIPMENT

(b) Surge suppressor

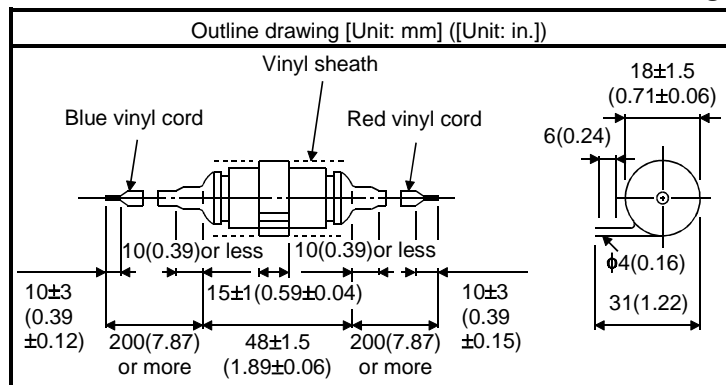
The recommended surge suppressor for installation to an AC relay, AC valve, AC electromagnetic brake or the like near the servo amplifier is shown below. Use this product or equivalent.



(Ex.) 972A.2003 50411

(Matsuo Electric Co.,Ltd. - 200VAC rating)

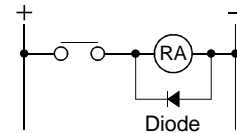
Rated voltage AC[V]	C [μ F]	R [Ω]	Test voltage AC[V]
200	0.5	50 (1W)	Across T-C 1000(1 to 5s)



Note that a diode should be installed to a DC relay, DC valve or the like.

Maximum voltage: Not less than 4 times the drive voltage of the relay or the like

Maximum current: Not less than twice the drive current of the relay or the like



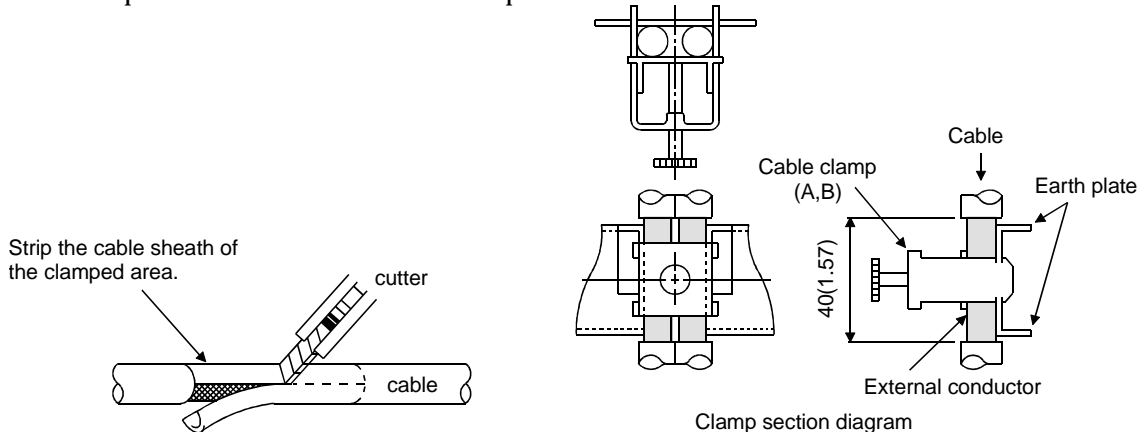
(c) Cable clamp fitting (AERSBAN □-SET)

Generally, the earth of the shielded cable may only be connected to the connector's SD terminal. However, the effect can be increased by directly connecting the cable to an earth plate as shown below.

Install the earth plate near the servo amplifier for the encoder cable. Peel part of the cable sheath to expose the external conductor, and press that part against the earth plate with the cable clamp.

If the cable is thin, clamp several cables in a bunch.

The clamp comes as a set with the earth plate.

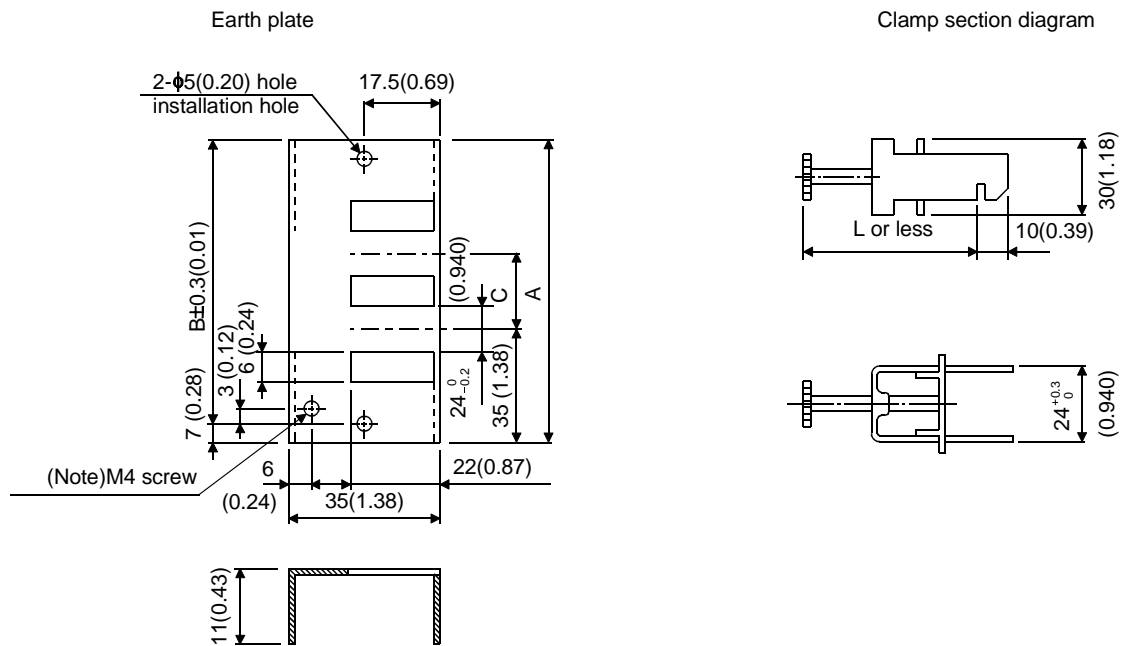


12. OPTIONS AND AUXILIARY EQUIPMENT

- Outline drawing

[Unit: mm]

([Unit: in.])



Note: Screw hole for grounding. Connect it to the earth plate of the control box.

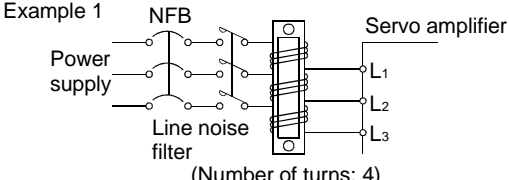
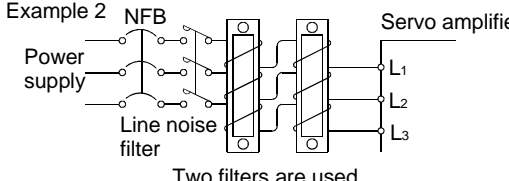
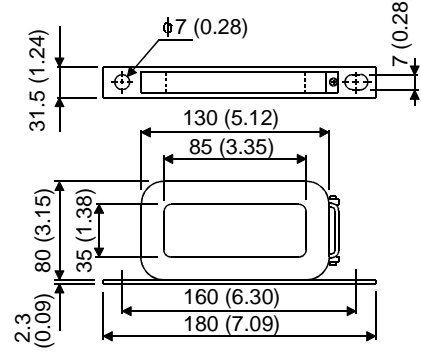
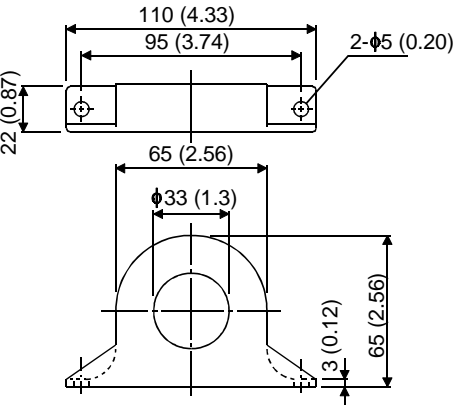
Type	A	B	C	Accessory fittings
AERSBAN-DSET	100 (3.94)	86 (3.39)	30 (1.18)	clamp A: 2pcs.
AERSBAN-ESET	70 (2.76)	56 (2.20)		clamp B: 1pc.

Clamp fitting	L
A	70 (2.76)
B	45 (1.77)

12. OPTIONS AND AUXILIARY EQUIPMENT

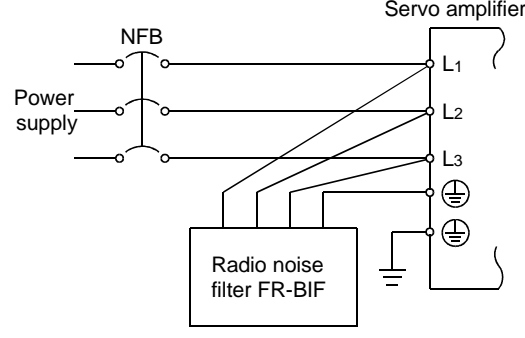
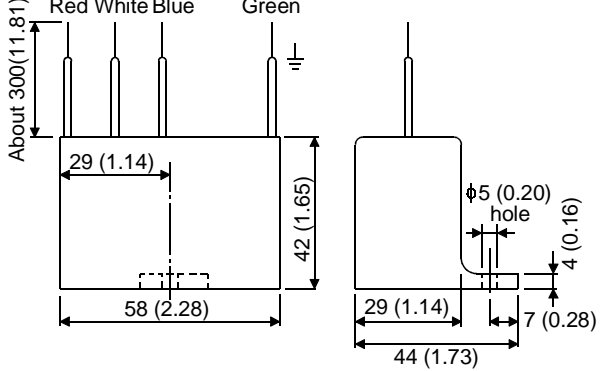
(d) Line noise filter (FR-BLF, FR-BSF01)

This filter is effective in suppressing noises radiated from the power supply side and output side of the servo amplifier and also in suppressing high-frequency leakage current (zero-phase current) especially within 0.5MHz to 5MHz band.

Connection diagram	Outline drawing [Unit: mm] ([Unit: in.])
<p>Wind the 3-phase wires by the equal number of times in the same direction, and connect the filter to the power supply side and output side of the servo amplifier.</p> <p>The effect of the filter on the power supply side is higher as the number of winds is larger. The number of turns is generally four. If the wires are too thick to be wound, use two or more filters and make the total number of turns as mentioned above.</p> <p>On the output side, the number of turns must be four or less. Do not wind the grounding wire together with the 3-phase wires. The filter effect will decrease. Use a separate wire for grounding.</p> <p>Example 1</p>  <p>(Number of turns: 4)</p> <p>Example 2</p>  <p>Two filters are used (Total number of turns: 4)</p>	<p>FR-BLF(MR-J2S-350B or more)</p>  <p>FR-BSF01(for MR-J2S-200B or less)</p> 

(e) Radio noise filter (FR-BIF)...for the input side only

This filter is effective in suppressing noises radiated from the power supply side of the servo amplifier especially in 10MHz and lower radio frequency bands. The FR-BIF is designed for the input only.

Connection diagram	Outline drawing (Unit: mm) ([Unit: in.])
<p>Make the connection cables as short as possible. Grounding is always required.</p> 	<p>Leakage current: 4mA</p> 

12. OPTIONS AND AUXILIARY EQUIPMENT

12.2.7 Leakage current breaker

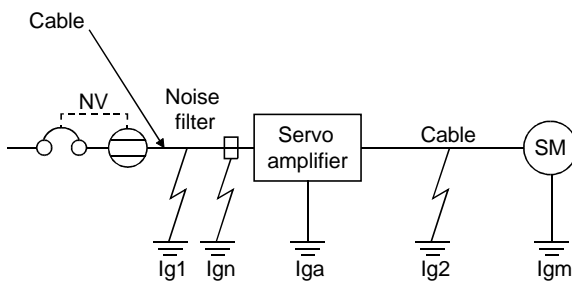
(1) Selection method

High-frequency chopper currents controlled by pulse width modulation flow in the AC servo circuits. Leakage currents containing harmonic contents are larger than those of the motor which is run with a commercial power supply.

Select a leakage current breaker according to the following formula, and ground the servo amplifier, servo motor, etc. securely.

Make the input and output cables as short as possible, and also make the grounding cable as long as possible (about 30cm (11.8 in)) to minimize leakage currents.

$$\text{Rated sensitivity current} \geq 10 \cdot \{I_{g1} + I_{gn} + I_{ga} + K \cdot (I_{g2} + I_{gm})\} \text{ [mA]} \dots\dots\dots (12.2)$$



K: Constant considering the harmonic contents

Leakage current breaker		K
Type	Mitsubishi products	
Models provided with harmonic and surge reduction techniques	NV-SF NV-CF	1
General models	NV-CA NV-CS NV-SS	3

Ig1: Leakage current on the electric channel from the leakage current breaker to the input terminals of the servo amplifier (Found from Fig. 12.1.)

Ig2: Leakage current on the electric channel from the output terminals of the servo amplifier to the servo motor (Found from Fig. 12.1.)

Ign: Leakage current when a filter is connected to the input side (4.4mA per one FR-BIF)

Iga: Leakage current of the servo amplifier (Found from Table 12.6.)

Igm: Leakage current of the servo motor (Found from Table 12.5.)

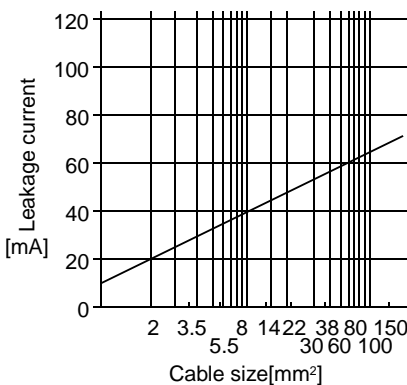


Fig. 12.1 Leakage current example (Ig1, Ig2) for CV cable run in metal conduit

Table 12.5 Servo motor's leakage current example (Igm)

Servo motor output [kW]	Leakage current [mA]
0.05 to 0.5	0.1
0.6 to 1.0	0.1
1.2 to 2.2	0.2
3 to 3.5	0.3
5	0.5
7	0.7

Table 12.6 Servo amplifier's leakage current example (Iga)

Servo amplifier capacity [kW]	Leakage current [mA]
0.1 to 0.6	0.1
0.7 to 3.5	0.15
5 to 7	2

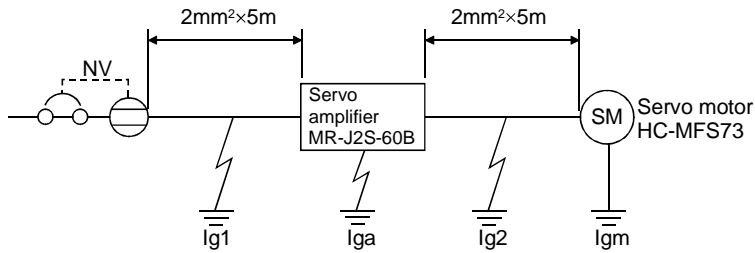
Table 12.7 Leakage circuit breaker selection example

Servo amplifier	Rated sensitivity current of leakage circuit breaker [mA]
MR-J2S-10B to MR-J2S-350B MR-J2S-10B1 to MR-J2S-40B1	15
MR-J2S-500B	30
MR-J2S-700B	50

12. OPTIONS AND AUXILIARY EQUIPMENT

(2) Selection example

Indicated below is an example of selecting a leakage current breaker under the following conditions:



Use a leakage current breaker generally available.

Find the terms of Equation (12.2) from the diagram:

$$I_{g1} = 20 \cdot \frac{5}{1000} = 0.1 \text{ [mA]}$$

$$I_{g2} = 20 \cdot \frac{5}{1000} = 0.1 \text{ [mA]}$$

$$I_{gn} = 0 \text{ (not used)}$$

$$I_{ga} = 0.1 \text{ [mA]}$$

$$I_{gm} = 0.1 \text{ [mA]}$$

Insert these values in Equation (12.2):

$$I_g \geq 10 \cdot \{0.1+0+0.1+3 \cdot (0.1+0.1)\}$$

$$\geq 8.0 \text{ [mA]}$$

According to the result of calculation, use a leakage current breaker having the rated sensitivity current (I_g) of 8.0[mA] or more. A leakage current breaker having I_g of 15[mA] is used with the NV-CA/CS/SS series.

12. OPTIONS AND AUXILIARY EQUIPMENT

12.2.8 EMC filter

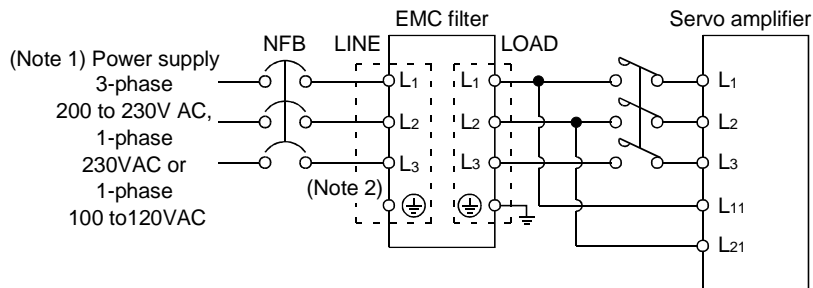
For compliance with the EMC directive of the EN standard, it is recommended to use the following filter:

(1) Combination with the servo amplifier

Servo amplifier	Recommended filter		Weight [kg]
	Model	Leakage current [mA]	
MR-J2S-10B to MR-J2S-100B MR-J2S-10B1 to MR-J2S-40B1	SF1252	38	0.75
MR-J2S-200B • MR-J2S-350B	SF1253	57	1.37
MR-J2S-500B	(Note) HF3040A-TM	1.5	5.5
MR-J2S-700B	(Note) HF3050A-TM	1.5	6.7

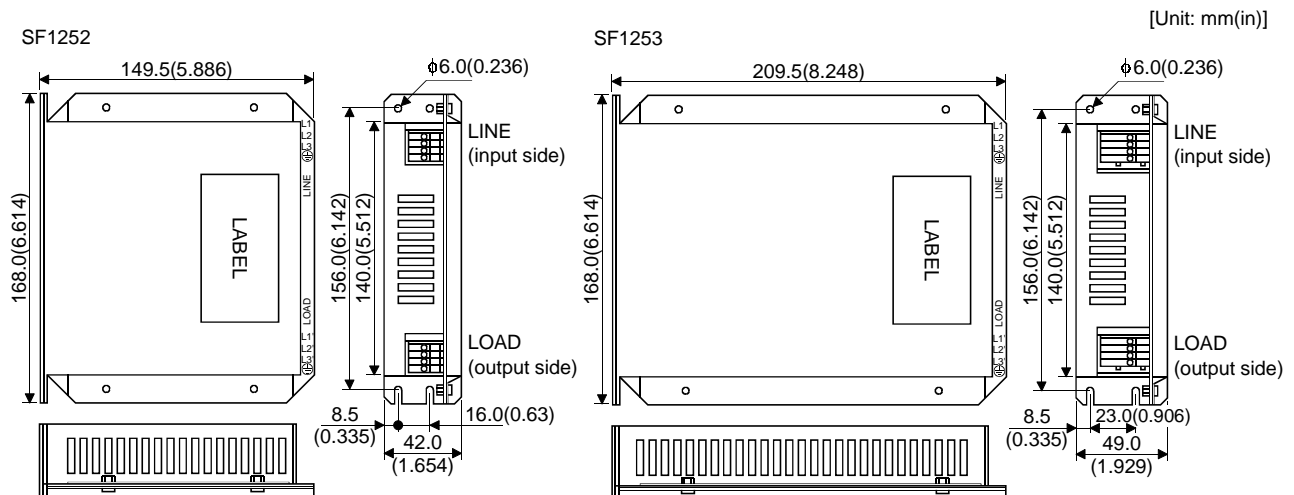
Note: Soshin Electric

(2) Connection example



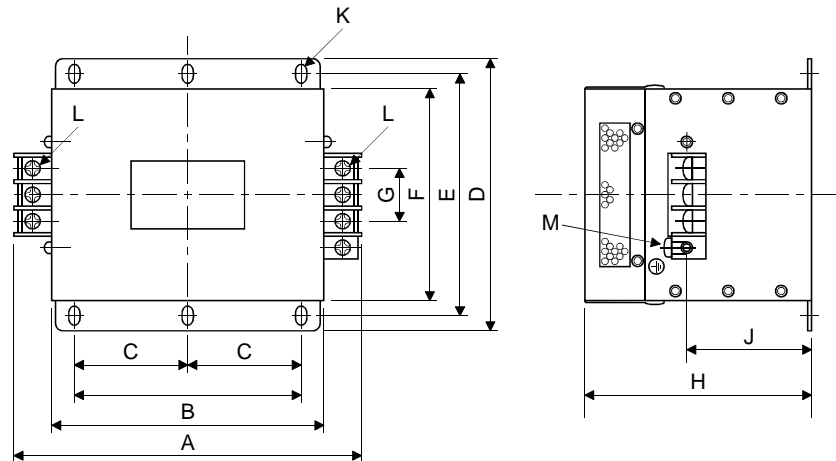
- Note: 1. For 1-phase 230VAC power supply, connect the power supply to L1, L2 and leave L3 open. There is no L3 for 1-phase 100 to 120VAC power supply.
2. Connect when the power supply has earth.

(3) Outline drawing



12. OPTIONS AND AUXILIARY EQUIPMENT


HF3040-TM • HF-3050A-TM



Model	Dimensions [mm(in)]											
	A	B	C	D	E	F	G	H	J	K	L	M
HF3040A-TM	260 (10.23)	210 (8.27)	85 (3.35)	155 (6.10)	140 (5.51)	125 (4.92)	44 (1.73)	140 (5.51)	70 (2.76)	R3.25, length 8	M5	M4
HF3050A-TM	290 (11.42)	240 (9.45)	100 (3.94)	190 (7.48)	175 (6.89)	160 (6.30)	44 (1.73)	170 (5.51)	100 (3.94)		M6	M4

13. ABSOLUTE POSITION DETECTION SYSTEM

13. ABSOLUTE POSITION DETECTION SYSTEM

 CAUTION	• If an absolute position erase alarm (25) has occurred, always perform home position setting again. Not doing so can cause runaway.
--	--

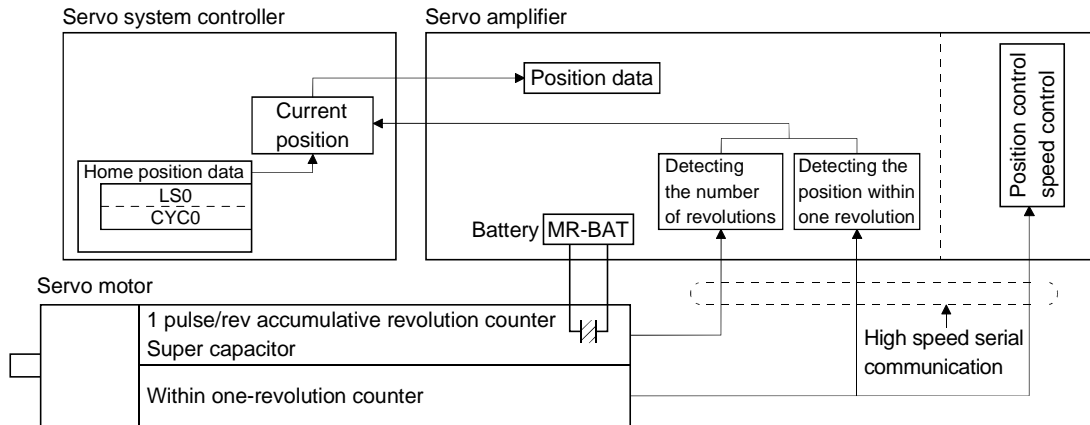
13.1 Features

For normal operation, as shown below, the encoder consists of a detector designed to detect a position within one revolution and a cumulative revolution counter designed to detect the number of revolutions. The absolute position detection system always detects the absolute position of the machine and keeps it battery-backed, independently of whether the servo system controller power is on or off.

Therefore, once home position return is made at the time of machine installation, home position return is not needed when power is switched on thereafter.

If a power failure or a fault occurs, restoration is easy.

Also, the absolute position data, which is battery-backed by the super capacitor in the encoder, can be retained within the specified period (cumulative revolution counter value retaining time) if the cable is unplugged or broken.



13. ABSOLUTE POSITION DETECTION SYSTEM

13.2 Specifications

(1) Specification list

Item	Description
System	Electronic battery backup system
Battery	1 piece of lithium battery (primary battery, nominal + 3.6V) Type: MR-BAT or A6BAT
Maximum revolution range	Home position ± 32767 rev.
(Note 1) Maximum speed at power failure	500r/min
(Note 2) Battery backup time	Approx. 10,000 hours (battery life with power off)
(Note 3) Data holding time during battery replacement	2 hours at delivery, 1 hour in 5 years after delivery
Battery storage period	5 years from date of manufacture

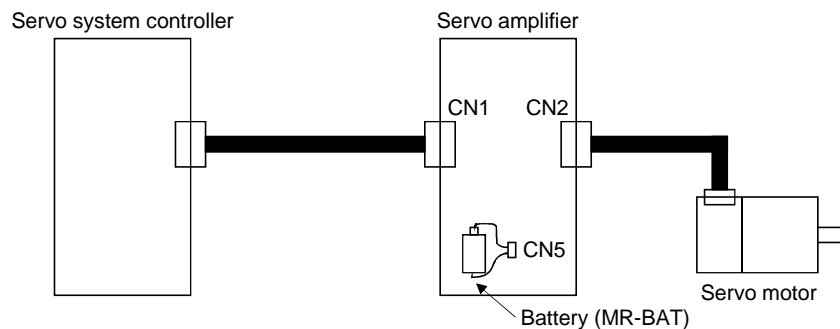
Note: 1. Maximum speed available when the shaft is rotated by external force at the time of power failure or the like.

2. Time to hold data by a battery with power off. It is recommended to replace the battery in three years independently of whether power is kept on or off.

3. Period during which data can be held by the super capacitor in the encoder after power-off, with the battery voltage low or the battery removed, or during which data can be held with the encoder cable disconnected.

Battery replacement should be finished within this period.

(2) Configuration



(3) Parameter setting

Set "0001" in parameter No.1 to make the absolute position detection system valid.

0 0 0 1

Absolute position detection selection
 0: Used in incremental system.
 1: Used in absolute position detection system.

13. ABSOLUTE POSITION DETECTION SYSTEM

13.3 Battery installation procedure



WARNING

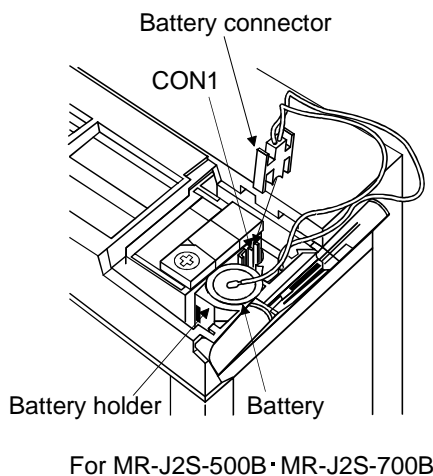
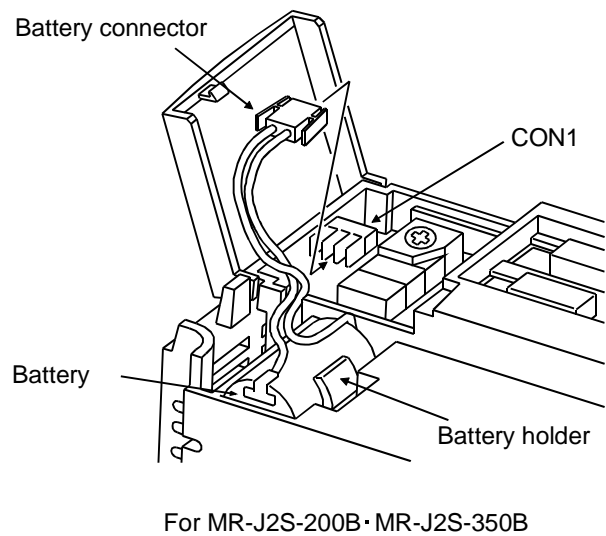
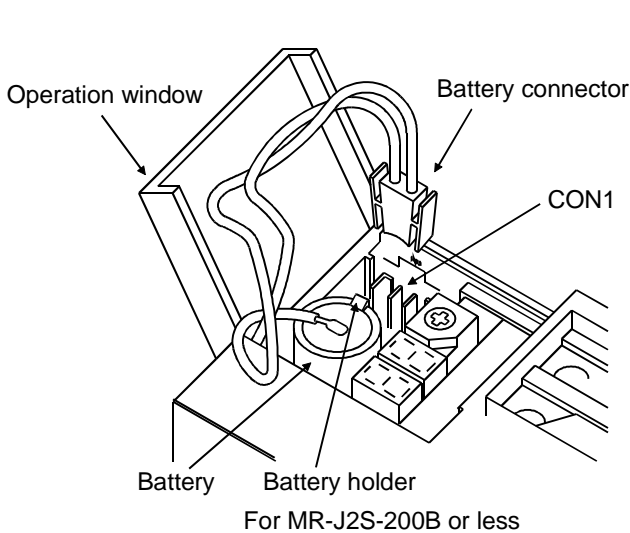
- Before starting battery installation procedure, make sure that the charge lamp is off more than 10 minutes after power-off. Then, confirm that the voltage is safe in the tester or the like. Otherwise, you may get an electric shock.

POINT

The internal circuits of the servo amplifier may be damaged by static electricity. Always take the following precautions:

- Ground human body and work bench.
- Do not touch the conductive areas, such as connector pins and electrical parts, directly by hand.

- 1) Open the operation window. (When the model used is the MR-J2S-200B • MR-J2S-350B, also remove the front cover.)
- 2) Install the battery in the battery holder.
- 3) Install the battery connector into CON1 until it clicks.

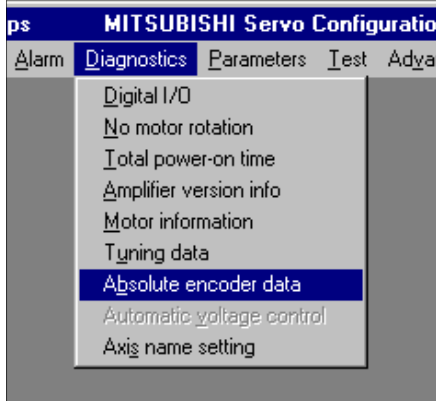


13. ABSOLUTE POSITION DETECTION SYSTEM

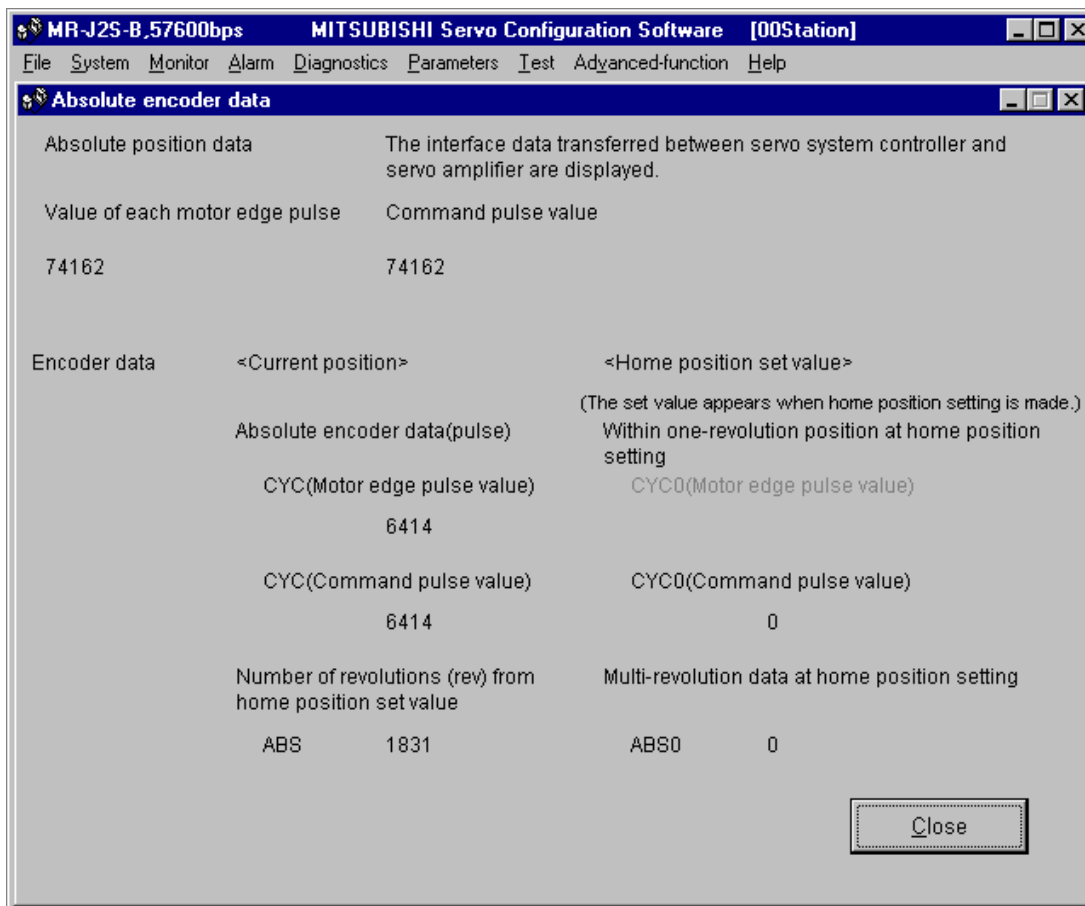
13.4 Confirmation of absolute position detection data

You can confirm the absolute position data with servo configuration software (MRZJW3-SETUP121E). Choose "Diagnostics" and "Absolute Encoder Data" to open the absolute position data display screen.

(1) Choosing "Diagnostics" in the menu opens the sub-menu as shown below:



(2) By choosing "Absolute Encoder Data" in the sub-menu, the absolute encoder data display window appears.



(3) Press the "Close" button to close the absolute encoder data display window.

REVISIONS

*The manual number is given on the bottom left of the back cover.

Print Data	*Manual Number	Revision
Sep., 2000	SH(NA)030007-A	First edition
Jan., 2001	SH(NA)030007-B	<p>Servo amplifier: Addition of MR-J2S-500B and MR-J2S-700B</p> <p>Servo motor: Addition of HC-KFS73, HC-SFS502, HC-SFS702, HC-RFS353, HC-RFS503, HC-UFS502 and HC-UFS352</p> <p>Section 1.4: Addition of brake unit and return converter</p> <p>Section 1.7: Overall reexamination</p> <p>Section 3.5.2: Addition of return converter and brake unit</p> <p>Section 3.7: Reexamination of Section 3.7 and later</p> <p>Section 5.2 (2): Addition of regenerative brake option to parameter No. 2</p> <p>Section 6.1.2: Addition of POINT</p> <p style="padding-left: 40px;">Changing of alarm 24 name</p> <p>Section 9.2: Changes made to alarm 20 cause and action fields</p> <p style="padding-left: 40px;">Addition of alarm 33 causes 1, 2</p> <p>Section 10.2 (2): Addition</p> <p>Section 12.1.1 (3): Overall reexamination</p> <p>Section 12.1.1 (4): Addition</p> <p>Section 12.1.1 (5): Addition of MR-RB31 and MR-RB51 regenerative brake options</p> <p>Section 12.1.2: Addition</p> <p>Section 12.1.3: Addition</p> <p>Section 12.1.4: Addition of power supply connector set</p> <p>Section 12.2.1 (1): Changing of wiring diagram</p> <p style="padding-left: 40px;">Addition of brake unit and power return converter wire size list</p> <p>Section 12.2.8 (3): Addition of outline drawing</p>

Free Manuals Download Website

<http://myh66.com>

<http://usermanuals.us>

<http://www.somanuals.com>

<http://www.4manuals.cc>

<http://www.manual-lib.com>

<http://www.404manual.com>

<http://www.luxmanual.com>

<http://aubethermostatmanual.com>

Golf course search by state

<http://golfingnear.com>

Email search by domain

<http://emailbydomain.com>

Auto manuals search

<http://auto.somanuals.com>

TV manuals search

<http://tv.somanuals.com>