

Boston

BostonAcoustics.com

RC820
RC620
RC520
RC420



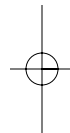
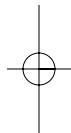
Boston Rally® Component Systems
Installation Manual

Boston



Table of Contents

Warning	2
System Contents	3
System Placement	4
Tweeter Installation	6
Woofers Installation	8
Crossover Installation	10
System Wiring	11
Specifications	12

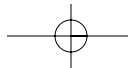


Congratulations!

You have purchased the finest automotive component system the industry has to offer. Installed correctly, your Boston Rally system will offer unprecedented performance for many years to come.














Warning

This manual explains only the assembly and placement of the various components, not the techniques required to perform the installation. If you do not have the experience these procedures require, we strongly recommend you consult your Boston Acoustics dealer about professional installation.



System Contents

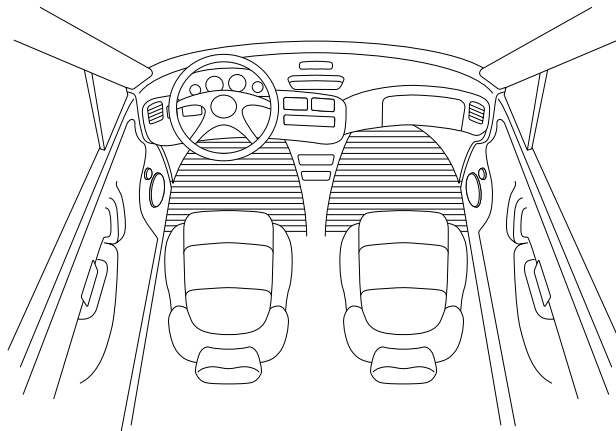
Here's what comes with this system (two each): RC820 RC620 RC520 RC420

	RC820LF woofer	✓			
	RC620LF woofer		✓		
	RC520LF woofer			✓	
	RC420LF woofer				✓
	Neo 3r tweeter	✓	✓	✓	✓
	Flush- mount kit	✓	✓	✓	✓
	Angle- mount kit	✓	✓	✓	✓
	Surface- mount kit	✓	✓	✓	✓
	820X Crossover	✓			
	620X Crossover		✓		
	520X Crossover			✓	
	420X Crossover				✓
	Gasket	✓	✓	✓	✓

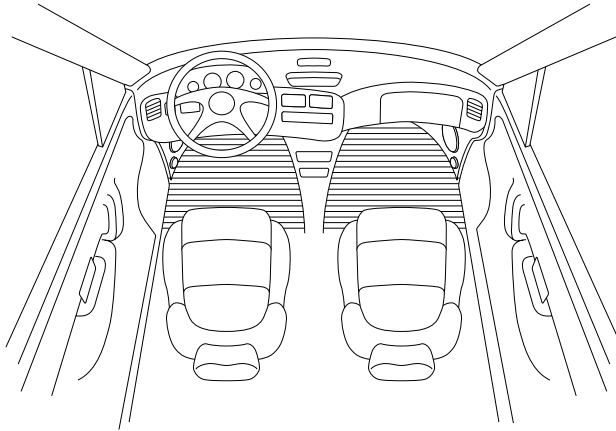
System Placement

Best imaging is obtained when the tweeter and the woofer are placed out to the sides and far forward.

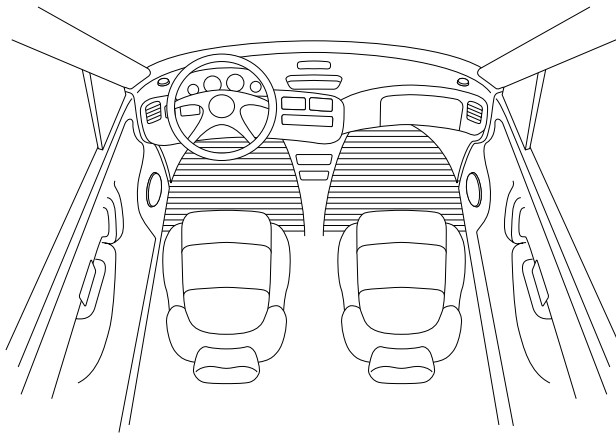
Woofer in door, tweeter in door



Woofer in kick panel, tweeter in kick panel



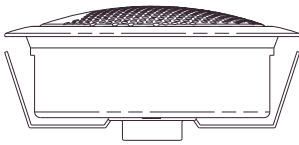
Woofer in door, tweeter in dashboard



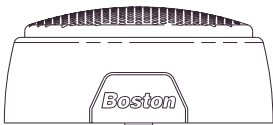
Tweeter Installation

There are several different installation kits for the Neo 3r tweeter.

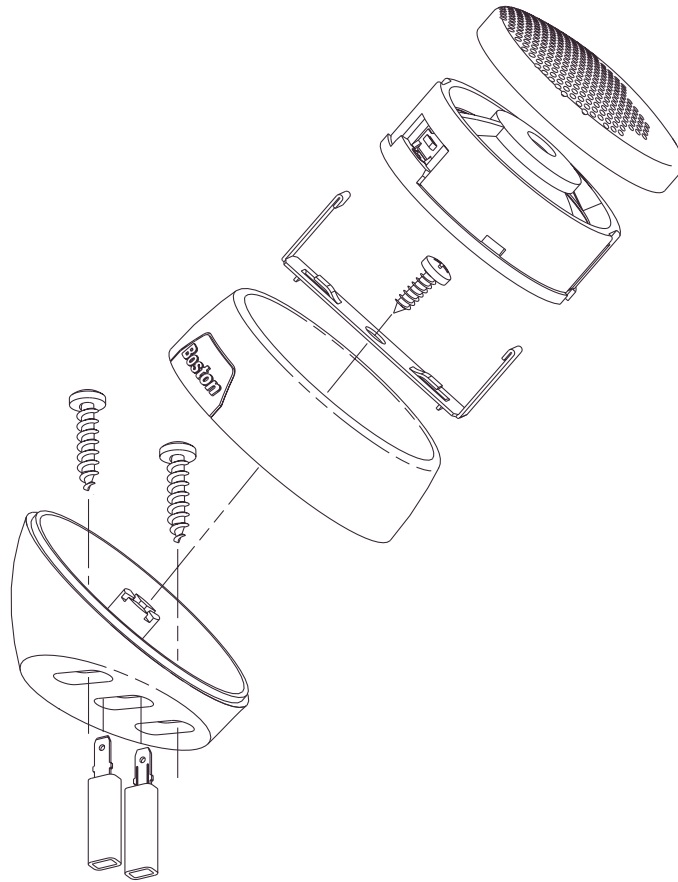
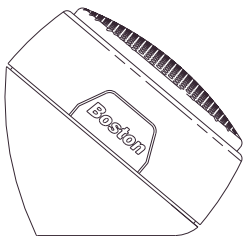
Surface-mount kit



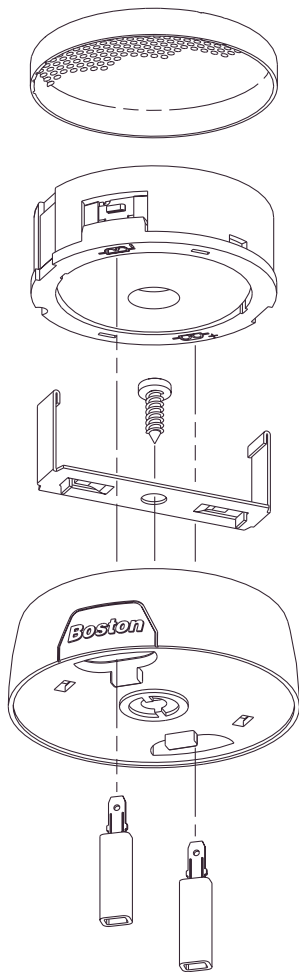
Flush-mount kit



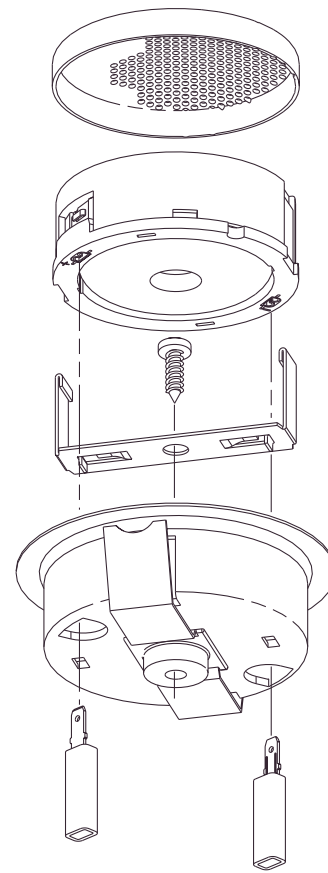
Angle-mount kit



Angle-mount installation



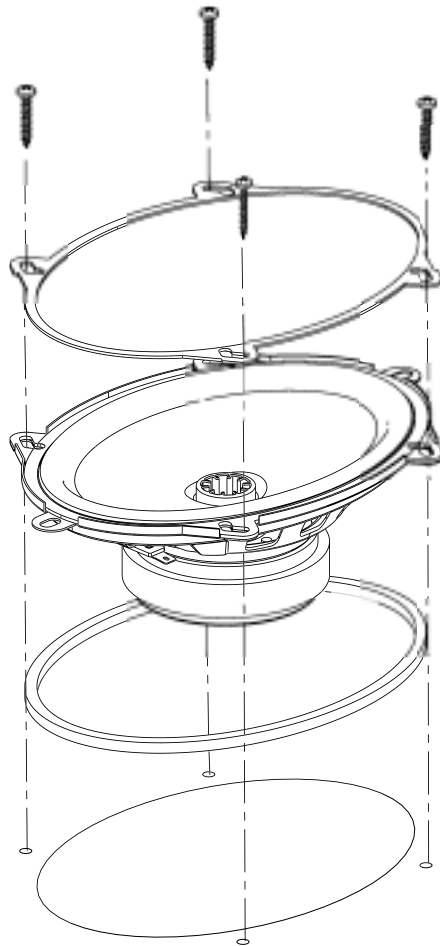
Surface-mount installation



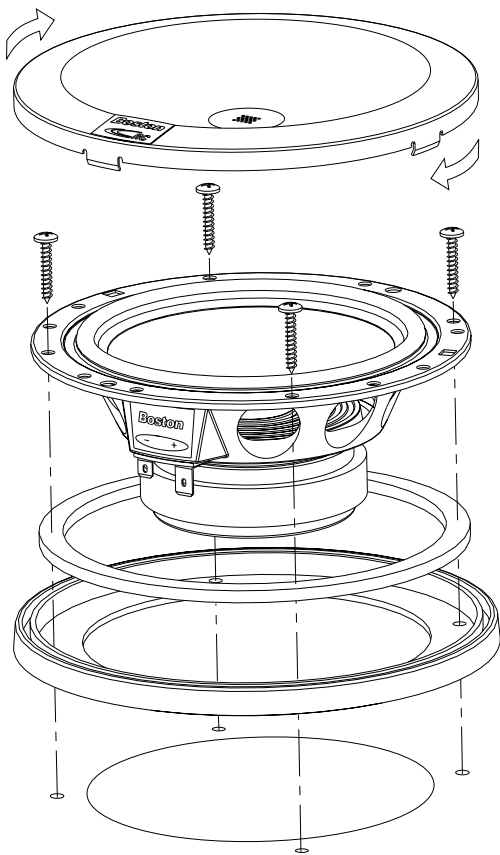
Flush-mount installation

Woofer Installation

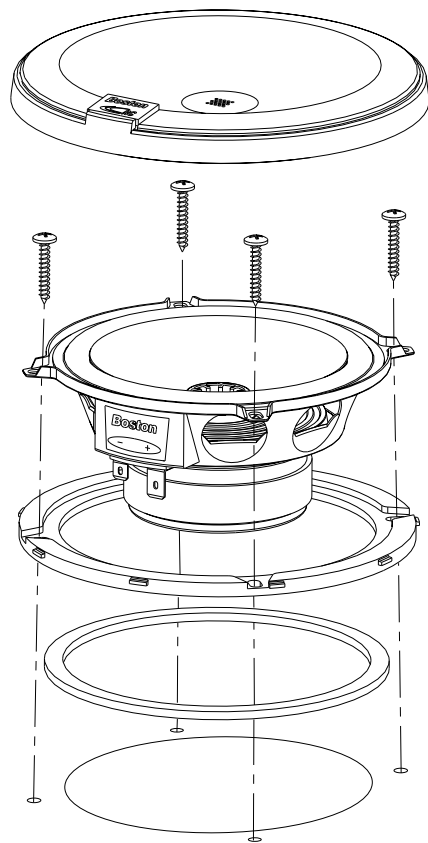
Mount the woofer rigidly to a surface that provides a complete air seal from front to rear.



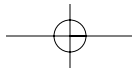
820LF installation



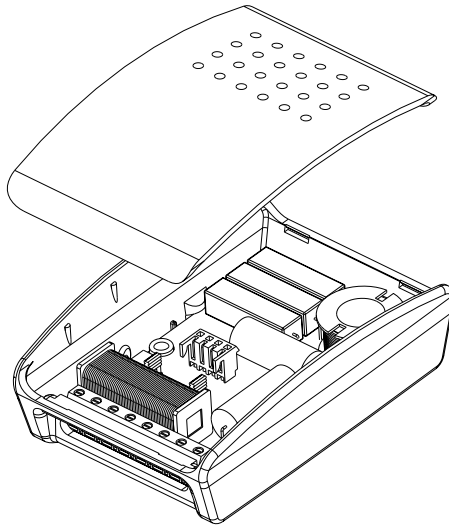
620LF installation



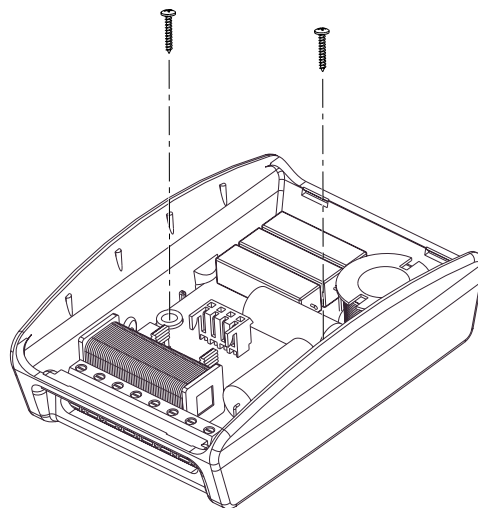
520LF/420LF installation



Crossover Installation

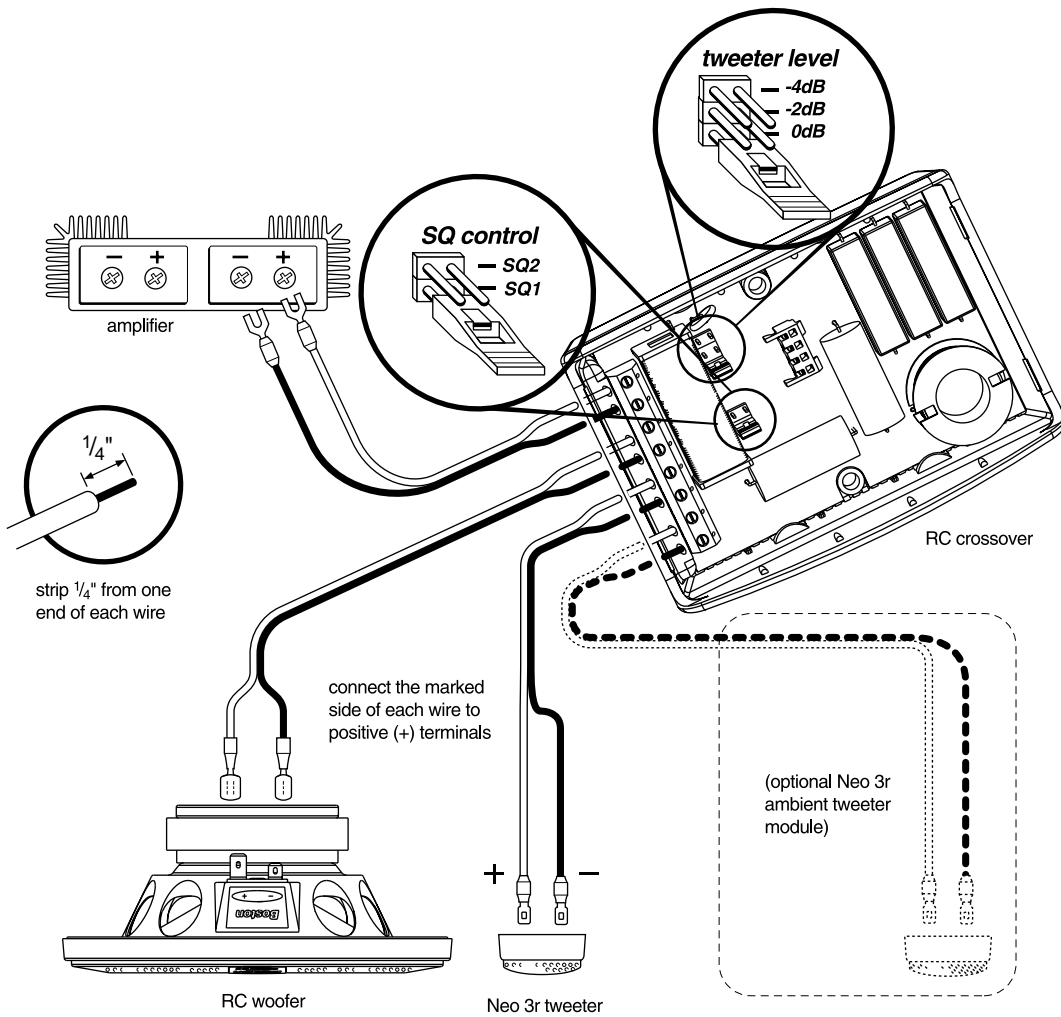


Crossover lid removal



Crossover installation

System Wiring



Specifications

Specification	RC820 System	RC620 System	RC520 System	RC420 System
Nominal Size (woofer)	5 x 7"	6 ¹ / ₂ " (165mm)	5 ¹ / ₄ " (130mm)	4" (100mm)
Mounting Cutout	7 ¹ / ₄ x 5" (184 x 127mm)	5 ¹ / ₄ " (132mm)	4 ⁵ / ₈ " (117mm)	3 ⁵ / ₈ " (93mm)
Mounting Depth	2 ¹ / ₂ " (64mm)	2 ⁵ / ₈ " (65mm)	2 ¹ / ₄ " (57mm)	1 ³ / ₄ " (46mm)
Recommended Amplifier Power	20-275 watts	20-275 watts	20-250 watts	20-180 watts
Frequency Response (\pm 3dB, in-car)	50-20kHz	60-20kHz	65-20kHz	75-20kHz
Nominal Impedance	4 ohms	4 ohms	4 ohms	4 ohms
Sensitivity (1 watt/1 meter)	90dB	90dB	90dB	90dB

Specifications subject to change without notice.

Boston

BostonAcoustics.com

300 Jubilee Drive
Peabody, MA 01960
USA
978.538.5000

Boston, Boston Acoustics, and
Boston Rally are registered trademarks
of Boston Acoustics, Inc.
©2000 All rights reserved.

Covered by patents issued and/or
pending.

042-001049-2

Free Manuals Download Website

<http://myh66.com>

<http://usermanuals.us>

<http://www.somanuals.com>

<http://www.4manuals.cc>

<http://www.manual-lib.com>

<http://www.404manual.com>

<http://www.luxmanual.com>

<http://aubethermostatmanual.com>

Golf course search by state

<http://golfingnear.com>

Email search by domain

<http://emailbydomain.com>

Auto manuals search

<http://auto.somanuals.com>

TV manuals search

<http://tv.somanuals.com>