

Breville®

the Fast Slow Cooker™

Instruction Book - Livret d'instructions



BPR600XL

CONGRATULATIONS

on the purchase of your Breville product

Register online for product support
and exclusive offers.*

USA Consumers: www.brevilleusa.com

Canadian Consumers: www.breville.ca

*Registering is not a substitute for proof of purchase when submitting a Warranty Claim.

CONTENTS

- 4** Breville recommends safety first
- 7** Know your Breville product
- 10** Quick Start Guide
- 12** Before first use
- 17** Operating your Breville product
- 18** A beginner's guide to Sauté and Sear
- 20** A beginner's guide to Pressure Cooking
- 24** Pressure cooking guide & converting conventional recipes
- 31** How to pot roast
- 32** How to roast
- 34** Pressure cook recipes
- 47** Slow cook setting
- 50** Slow cook recipes
- 52** Steaming setting
- 54** Steam recipes
- 58** Care and cleaning
- 62** Troubleshooting

At Breville we are very safety conscious. We design and manufacture consumer products with the safety of you, our valued customer, foremost in mind. In addition we ask that you exercise a degree of care when using any electrical appliance and adhere to the following precautions.

IMPORTANT SAFEGUARDS



READ ALL INSTRUCTIONS BEFORE USE AND SAVE FOR FUTURE REFERENCE

- Remove and safely discard any packaging material and promotional labels before using the appliance for the first time.
- To eliminate a choking hazard for young children, remove and safely discard the protective cover fitted to the power plug of this appliance.
- Do not immerse appliance base, power cord or plug in water or any other liquid.
- Always insert the connector end of the power cord into appliance inlet inserting power plug into power outlet and switching on appliance. Ensure the appliance inlet is completely dry before inserting the connector end of the power cord.
- This appliance cooks under pressure. Improper use may result in injury. When using this appliance for any function other than sauté, ensure the lid is properly assembled and locked into position before use.
- Do not place the appliance near the edge of a bench or table during operation. Ensure that the surface is level, clean and free of water and other substances.
- Do not operate the appliance on a sink drain board.
- Do not move the appliance when in use.
- Do not place this appliance on or near a hot gas burner, electric element or where it could touch a heated oven. Position the appliance at a minimum distance of 8 inches (20cm) away from walls and provide adequate space above and all sides for air circulation.
- Keep the appliance clear of walls, curtains and other heat or steam sensitive materials.
- Do not touch hot surfaces. Use handles on the sides of appliance and on lid. Use the button to release steam pressure.
- Always ensure the appliance is properly assembled before use. Follow the instructions provided in this book.
- Before placing removable cooking bowl into stainless steel base ensure base of bowl and base of appliance is dry by wiping with a dry soft cloth.
- Do not place food or liquid directly into stainless steel base. Only removable cooking bowl is designed to contain food or liquid.
- Never operate the appliance without food and liquid in the removable cooking bowl. Ensure the food and liquid in the removable cooking bowl is not below the '2' level mark or above the '10' level mark before switching on appliance. Always follow the maximum and minimum quantities of liquid stated in instructions and recipes.

BREVILLE RECOMMENDS SAFETY FIRST

- Do not exceed maximum fill level. Some foods expand during pressure cooking such as rice, pulses and grains. For these types of foods, do not fill removable cooking bowl over level 8 mark. Over filling may cause a risk of clogging pressure release valve and pressure indicator valve and develop excess pressure.
- Do not use a damaged removable cooking bowl. Replace before using.
- Ensure that lid is properly closed before operating. (see step 4 page 21).
- Do not use the appliance for other than it's intended use. Do not attempt to operate the appliance by any method other than those described in this book.
- Some foods to avoid when pressure cooking are; apple sauce, cranberries, pearl barley, oatmeal and other cereals, noodles and pasta, and rhubarb; these foods can foam, froth and splatter and clog the pressure release valve and pressure indicator valve.
- Removable cooking bowl can be extremely heavy when full of ingredients, care should be taken when lifting from the appliance base.
- Always check pressure release valve and pressure indicator valve for clogging before use and clean if necessary. Check to make sure the pressure indicator rod moves freely from under the lid.
- Extreme caution must be used when appliance contains hot food and liquids and/or is under pressure. Improper use may result in injury. When using this appliance for any function except sauté, make sure the lid is properly locked before operating.
- Do not use the lid handle to carry appliance when in use or after use.
- Do not attempt to open the appliance lid after pressure cooking until all internal pressure has been released and is slightly cooled. If the lid will not turn to unlock, this indicates that appliance is still under pressure – do not force lid open. Any pressure remaining can be hazardous. See operating instructions for “steam release” directions in this instruction book (see step 10–12 page 22).
- Always ensure that removable cooking bowl has cooled sufficiently before handling and use oven mitts as a precaution.
- The appliance is not intended to be operated by means of an external timer or separate remote control system.
- Do not place anything, other than lid, on top of the appliance when assembled, when in use and when stored.
- Do not adjust the “Pressure Regulator /Release valve” whilst in use.
- Use only recommended “Steam Release” to depressurize cooker after use (see step 10–12 page 22).
- Do not use this appliance cooker for deep frying.
- Do not sauté or shallow fry under pressure.
- Always ensure there is enough liquid in removable cooking bowl. At least 4 cups (1 quart) of combined food and liquid is required when cooking under pressure. When steaming, a minimum of 4 cups (1 quart) of liquid should be used.
- Always ensure START/CANCEL has been pressed to CANCEL, then remove power plug from the power outlet before attempting to move the appliance, when appliance is not in use and before cleaning and storing.

BREVILLE RECOMMENDS SAFETY FIRST

- To protect against electric shock, do not immerse the appliance base, power base, power cord or power plug in water or allow moisture to come in contact with these parts.
- Keep the appliance clean. Follow the cleaning instructions provided in this book (see page 58).
- For any maintenance other than cleaning, visit www.Breville.com or call Breville Consumer Service.
- This appliance is for household use only. Do not use this appliance for anything other than its intended use. Do not use in moving vehicles or boats. Do not use outdoors. Misuse may cause injury.

IMPORTANT SAFEGUARDS FOR ALL ELECTRICAL APPLIANCES

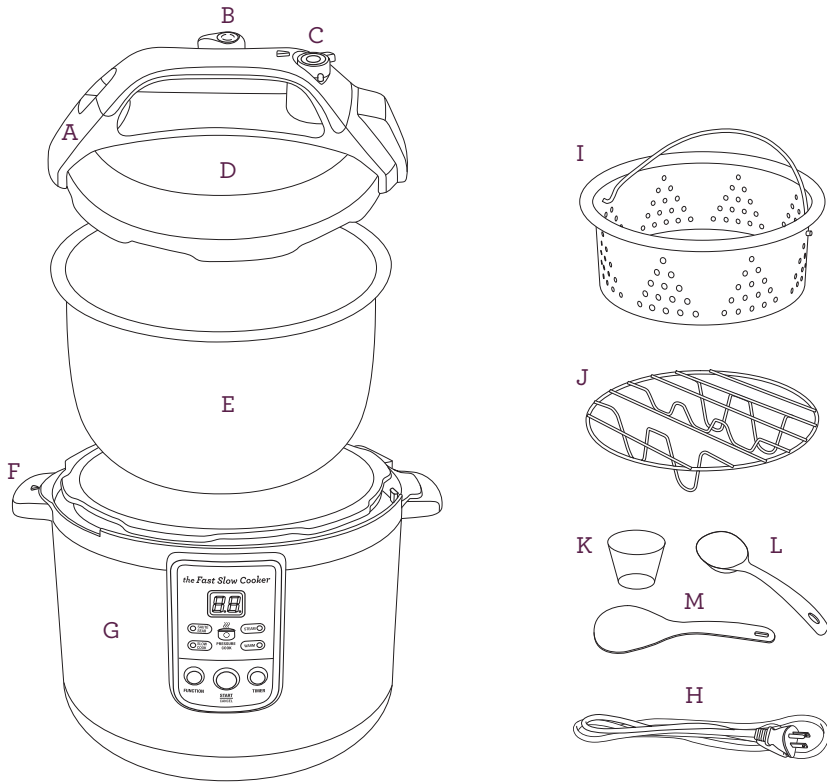
- Fully unwind the power cord before use.
- Do not let the power cord hang over the edge of a bench or table, touch hot surfaces or become knotted.
- To protect against electric shock do not immerse the power cord, power plug or appliance in water or any other liquid.
- The appliance is not intended for use by persons (including children) with reduced physical, sensory or mental capabilities, or lack of experience and knowledge, unless they have been given supervision or instruction concerning use of the appliance by a person responsible for their safety.
- Children should be supervised to ensure that they do not play with the appliance.
- It is recommended to regularly inspect the appliance. Do not use the appliance if the power cord, power plug, or appliance becomes damaged in anyway. Immediately cease use and call Breville Consumer Service for examination, repair or adjustment.
- The installation of a residual current device (safety switch) is recommended to provide additional safety protection when using electrical appliances. It is advisable that a safety switch with a rated residual operating current not exceeding 30mA be installed in the electrical circuit supplying the appliance. See your electrician for professional advice.

HOUSEHOLD USE ONLY SAVE THESE INSTRUCTIONS

KNOW

your Breville product

KNOW YOUR BREVILLE PRODUCT



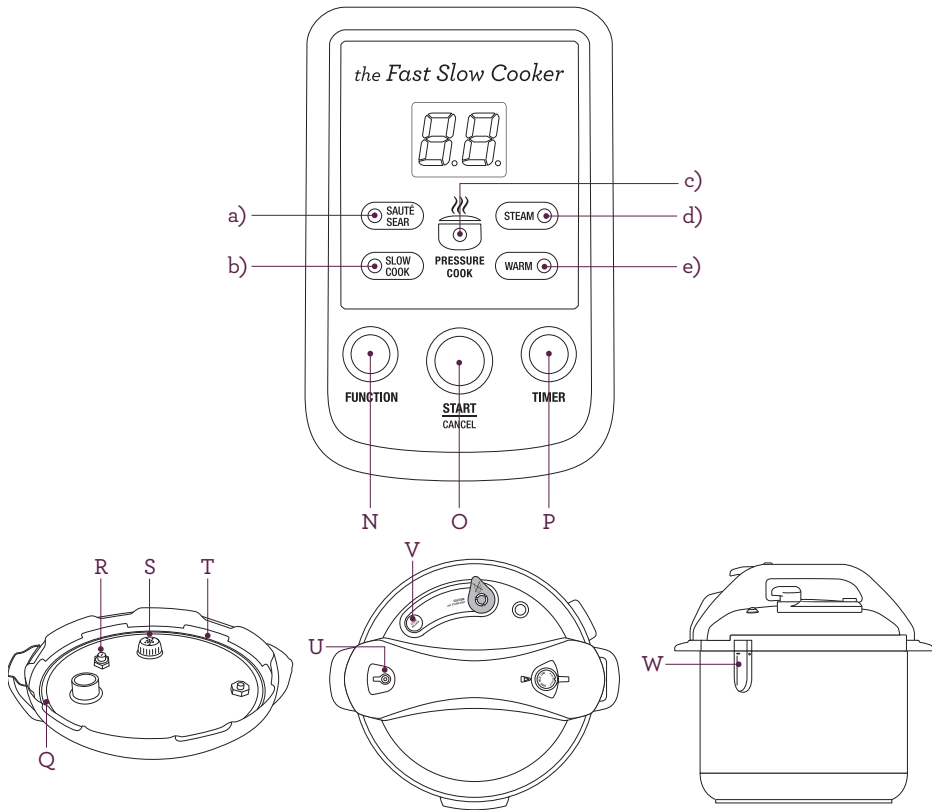
- A. Lid Handle**
- B. Pressure Regulator/Release valve**
Controls rate at which steam vents out of cooker and subsequently degree of pressure inside the cover.
- C. Adjustable Pressure Control/Dial**
Choose from Low, Medium or High.
- D. Safety Locking Lid**
Can not be opened while pressure cooking. Not dishwasher safe.
- E. 6 Quart Removable Non-stick Cooking bowl.** Dishwasher Safe.
- F. Cool Touch Handles**
- G. Brushed Stainless Steel Base**

- H. Removable Power Cord**
For serving at table & easy storage.

Accessories

- I. Stainless Steel Steaming Basket**
Dishwasher safe.
- J. Stainless Steel Trivet**
Raises food out of liquid for roasting, steaming and pressure cook or slow cook settings.
- K. Rice Measuring Cup**
- L. Serving Spoon**
- M. Heat Resistant Spatula**

KNOW YOUR BREVILLE PRODUCT



Control Panel

N. Function button

Press to select desired cooking method.

Setting selection

- a) SAUTE/SEAR Indicator Light
Sear and brown meats plus saute onions and garlic, before pressure cooking or slow cooking.
- b) SLOW COOK Indicator Light
Select from 6 hours or 8 hours.
- c) PRESSURE COOK Indicator Light
- d) STEAM Indicator Light
- e) WARM Indicator Light
Automatic or manual.

O. Start/Cancel button

P. Timer button

Sets cooking time.

Q. Silicone Rubber Sealing Gasket

Dishwasher safe.

R. Pressure Safety Valve

S. Pressure Release Valve Cover

T. Gasket Holder

U. Pressure Indicator

Rod pops up once pressure is reached acting as a safety locking device.

V. Steam Release button

Press the button in short bursts until pressure indicator rod drops down, then the lid can be opened.

W. Steam Condensation Collector

Dishwasher safe.

Quick Start Guide

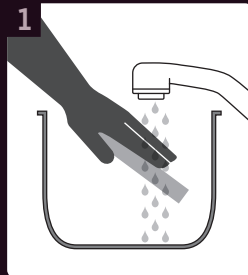
This Quick Start Guide is designed for first time use.

For safety and more information, refer to your Instruction Booklet.

A

Before First Use

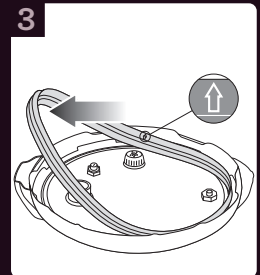
Preparing the Fast Slow Cooker for use



1 Remove Lid. Wash non-stick cooking bowl.



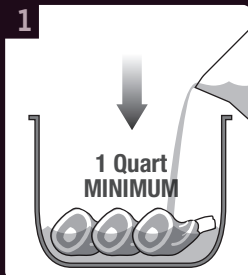
2 Wash silicone rubber gasket.



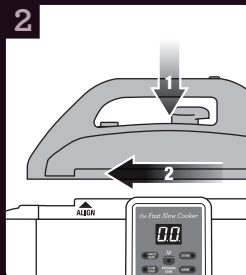
3 Return dry clean silicone rubber gasket securely back to gasket holder. Ensure arrows are facing up.

B

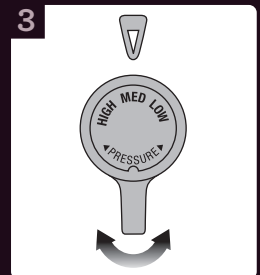
How to Pressure Cook



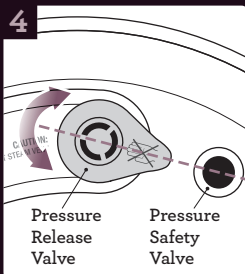
1 Place food to be cooked into removable cooking bowl with 1qt minimum combined food & liquid.



2 Close and lock lid in a clockwise direction by aligning arrows.



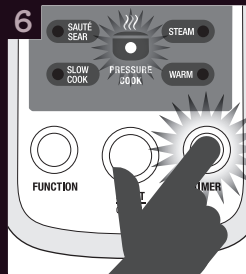
3 Select Pressure setting using Pressure Control Dial on lid handle (Low, Medium, High).



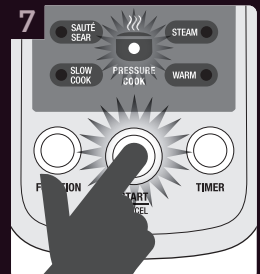
4 Ensure Pressure Regulator/Release Valve is turned to Pressure position shown.



5 Press FUNCTION button until the Pressure Cook indicator light flashes.



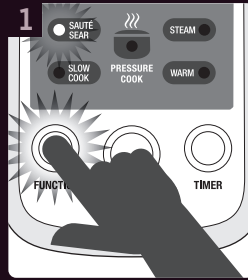
6 Press TIMER Button – select from 02 to 99 minutes.



7 Press START/CANCEL button to start Pressure Cooking – indicator light will stop flashing.

C

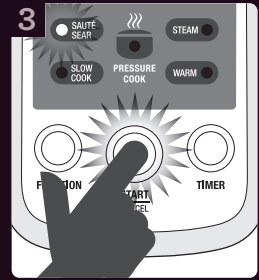
How to Sear



Press **FUNCTION** button until SAUTE/SEAR function indicator light flashes.



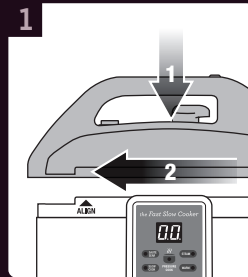
Press **TIMER** Button – select from 02 to 99 minutes.



Press **START/CANCEL** button to start cooking – indicator light will stop flashing.

D

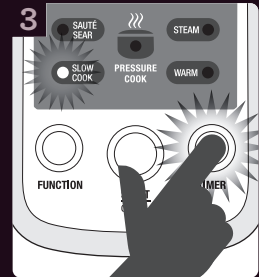
How to Slow Cook



Close and lock lid in a clockwise direction by aligning arrows.

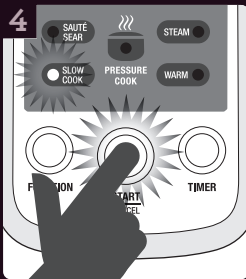


Press **FUNCTION** button until SLOW COOK indicator light flashes.



Press **TIMER** button and select either 6 or 8 hours.

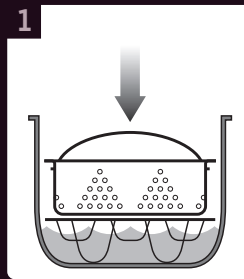
4



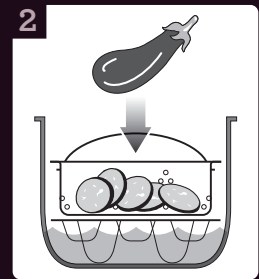
Press **START/CANCEL** button to start SLOW COOKING – indicator light will stop flashing.

E

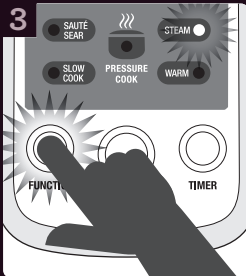
How to Steam



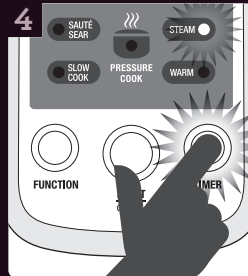
Place steaming basket on to trivet and position inside cooking bowl.



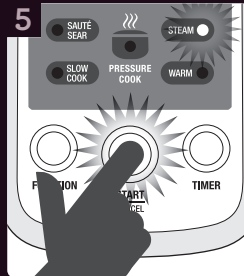
Repeat steps (1) to (3) in How To Pressure Cook. Place food into steaming basket. Use min. 1qt liquid.



Select **FUNCTION** button until STEAM function indicator light flashes.



Press **TIMER** Button – select from 02 to 99 minutes.



Press **START/CANCEL** button to start STEAMING – indicator light will stop flashing.



Refer to the Instruction Book or Contact Customer Service.

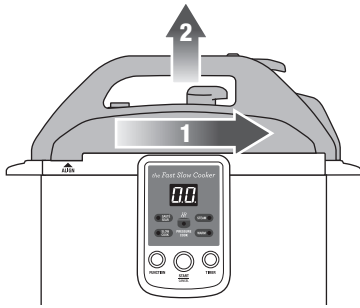
BEFORE FIRST USE

of your Breville product

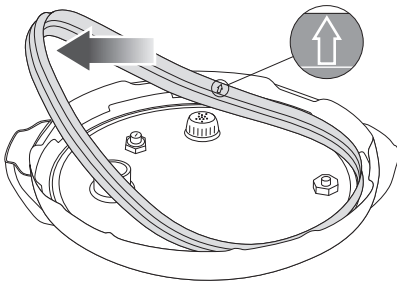
BEFORE FIRST USE

PREPARING THE FAST SLOW COOKER FOR USE

1. Before first use, remove all promotional labels and packing materials.
2. Remove the lid by taking hold of the handle, turning it counter clockwise and lifting the lid up and off the appliance.



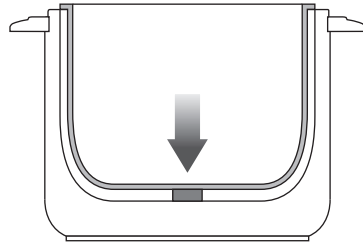
3. Wash the removable cooking bowl, stainless steel lid and silicone rubber gasket in hot, soapy water, rinse and dry thoroughly. Wipe the inside and the outside of the stainless steel base with a soft, damp cloth, then dry thoroughly.
4. Attach the clean silicone rubber gasket securely back into the gasket holder using the indicated arrows as a guide. Ensure that the arrows are facing up when inserting into the lid.



WARNING

If the silicone rubber gasket is not correctly fitted back into the gasket holder, the lid will not close and it will result in appliance malfunction and stop the pressure cooker from operating.

5. Clean and dry the bottom of the removable cooking bowl as well as the temperature sensor, making sure there are no unwanted materials on the surface. The removable cooking bowl must sit flat on the temperature sensor to ensure proper contact.



BEFORE FIRST USE

DO'S

- Always thaw frozen meat and poultry before cooking.
- Use dry oven mitts when lifting the removable bowl after cooking.
- Always store the appliance in a cool, dry place.

DONT'S

- Do not operate any of settings without removable cooking bowl in position.
- Do not cook with frozen meats or poultry.
- Do not remove stainless steel lid when using the Slow Cook setting unnecessarily as this will result in major heat loss.
- Do not place water or other liquids into the stainless steel base of the appliance.
- Do not immerse base, cord or plug of the appliance in water or any other liquid.
- Do not touch hot surfaces with bare hands.
- Do not fry in the appliance.
- To prevent aromas, molds and odors, never store the appliance closed with lid locked in place. Follow the care and cleaning guidelines on page 58. Pack and store with lid resting upside down on removable cooking bowl in a well ventilated area.

HINTS AND TIPS BEFORE PRESSURE COOKING & SLOW COOKING

PREPARING MEAT AND POULTRY

Select cuts of meat suitable for pressure cooking by choosing cuts from the table below. Pressure cooking allows less tender cuts of meat to be cooked quickly and achieve a tender juicy result.

Using meat cuts with bones produces a more flavorful and enriched result.

For best results, always trim away excess visible fat, grizzle and skin. These will form extra liquid as it melts and cooks.

For casserole type recipes, cut meat into even cubes approximately 1-2 inches.

Suitable meat cuts for pressure cooking and slow cooking

BEEF & VEAL	LAMB	PORK	CHICKEN
Chuck, skirt, round steak, boneless shin(Gravy) beef, bone-in-shin and cheeks(Osso Bucco), Diced leg, shoulder/forequarter chops and steaks, neck chops, knuckle (Osso Bucco).	Shanks, drumsticks (frenched shanks), neck chops, boned out forequarter or shoulder.	Diced leg, shoulder/forequarter chops and steaks, neck chops, knuckle (Osso Bucco).	Chicken drumsticks and thighs both bone in and fillet

PREPARING VEGETABLES

Vegetables should be cut into even-sized pieces to ensure more even cooking.

When preparing vegetables for pressure cooking, always use fresh and not frozen.

If only frozen vegetables are available, thaw out before pressure cooking. Use LOW pressure setting for minimum time.

For better results only peel vegetables when appropriate. Hard vegetables such as beets and potatoes hold their shape better when left intact.

PREPARING DRIED PULSES (BEANS AND PEAS)

Legumes and pulses can be cooked without prior soaking.

To reduce the pressure cooking time, soak dried pulses in boiling water for 3 hours or overnight.

Always wash and drain pulses before cooking. Remove any discolored pulses.

For best cooking results, place pulses into the appliance and cover with water or stock at least 2 inches above the level of pulses.

Onions, bay leaves and garlic can be added to flavor the pulses.

Avoid adding salt prior to cooking, as this will toughen the skins of the beans and peas and prevent proper cooking.

Once pulses have cooked, drain away excess liquid, rinse lightly and use in recipes.



IMPORTANT

- *Softer Pulses such as; mung beans, lima beans and butter beans are best cooked using LOW AND MEDIUM pressure.*
- *When PRESSURE COOKING AND SLOW COOKING the resulting juices and liquids created by cooking may need to be evaporated and concentrated. We suggest that the SAUTE/SEAR function should be used for approx 5–10 minutes depending on amount of liquids required to be reduced.*

OPERATING

your Breville product

A BEGINNER'S GUIDE TO SAUTÉ AND SEAR

SAUTEING AND SEARING BEFORE PRESSURE COOKING & SLOW COOKING

Sautéing and Searing in the Fast Slow Cooker may take a little extra time and while not strictly necessary, the rewards are evident in the end result.

Saute and Sear setting keeps the heat stable, for browning meat and caramelizing vegetables. This seals in the moisture, tenderizes and intensifies the flavor.

Hint and Tips

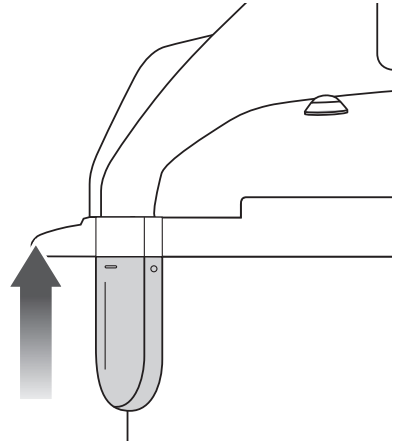
- Trim all visible fat from meat or poultry.
- If a recipe calls for browning meat, it may be browned using SAUTÉ/SEAR setting.
- If after cooking the liquid quantity is excessive, remove the lid and operate the Fast Slow Cooker on SAUTÉ/SEAR setting for approximately 10–15 minutes or until the liquid reduces by the desired amount.

How to Sauté and Sear

1. Remove power cord, connect it to pressure cooker base and insert power cord to 110/120 volt power outlet. A single beep will sound and 0:0 will be displayed on LED display.



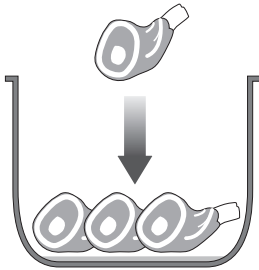
2. Click steam condensation collector into place.



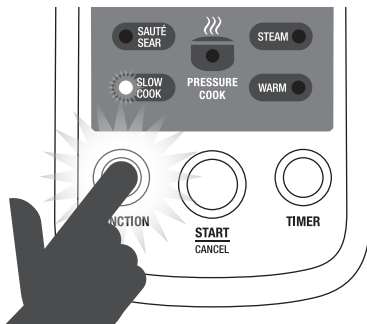
3. Always ensure the lid is removed from the appliance before sautéing or searing.
4. Press Function Button until SAUTÉ/SEAR indicator light flashes red.
5. Press TIMER button to increase time from 02 minutes to maximum 99 minutes. To fast advance time, press and hold TIMER button until desired time is displayed.

A BEGINNER'S GUIDE TO SAUTÉ AND SEAR

- When desired cooking time is displayed, press START/CANCEL button. SAUTÉ/SEAR indicator light will stop flashing and will illuminate a solid red. The count down timer will commence. Allow the appliance to heat with the lid off for approximately 2-3 minutes before cooking.
- Add a small amount of oil or butter to removable cooking bowl.
- Place food to be sautéed/seared into cooking bowl. Depending on quantity of food, meat searing should be done in small batches.



- When finished sautéing or searing, select PRESSURE COOK or SLOW COOK by pressing FUNCTION button. (Refer to pressure cook or slow cook sections on page 20-33 and page 47-49).



IMPORTANT

- SAUTÉ/SEAR function will not work if lid is sealed and locked in position. An audible alarm will sound. "E3" error code will appear on LED display to signal the need to unlock or remove the lid.*
- Stir food in removable cooking bowl, using heat resistant spatula supplied.*
- Do not use metal utensils because they will scratch non stick coating on the removable cooking bowl.*
- Do not heat removable cooking bowl when empty for more than 10 minutes as it may damage the cooking surface.*
- Caution should be used when searing meats and sautéing in hot oil. Keep hands and face away from the removable cooking bowl especially when adding new ingredients as hot oil may splatter.*

A BEGINNER'S GUIDE TO PRESSURE COOKING

A BEGINNER'S GUIDE TO PRESSURE COOKING

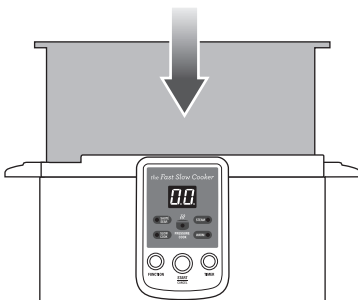
Pressure cookers are a great option for cooking succulent roasts, flavorful casseroles, delicious soups and even desserts in a fraction of the time and energy they take by conventional methods.

Pressure Cooking is a method of cooking food in a small amount of liquid with a gasket sealed lid that retains steam inside and builds pressure. It is the increase in pressure that raises temperature of the liquid and steam inside to well above boiling point and therefore allows food to be cooked up to 70% faster.

This means less energy is consumed and you will enjoy substantial savings in both time and cost. Because pressure cooked foods require very little cooking liquid, more vitamins, minerals, and other nutrients are retained and the natural flavors are enhanced.

How to Pressure Cook

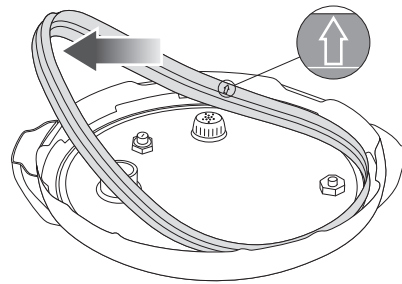
1. Place removable cooking bowl into stainless steel base.



2. Attach clean silicone rubber gasket securely into gasket holder using the indicated arrows as a guide. Ensure that the arrows are facing up when inserting into the lid.

NOTE

Fit silicone rubber sealing gasket into lid if not already in place.

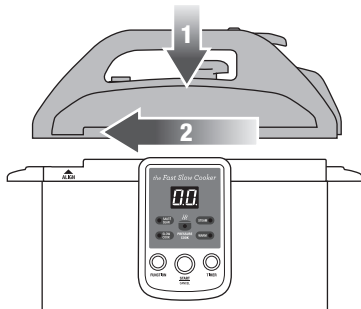


3. Place food to be cooked and a minimum of 1 quart (4 cups) combined food and liquid into removable cooking bowl.

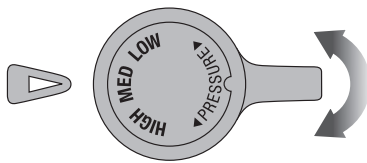


A BEGINNER'S GUIDE TO PRESSURE COOKING

- Close and lock lid by using the handle. Close lid in a clockwise direction by aligning "ALIGN" arrows. The Lid arrow should align with stainless steel base arrow until it locks into place and is in the CLOSE position. This should be effortless.



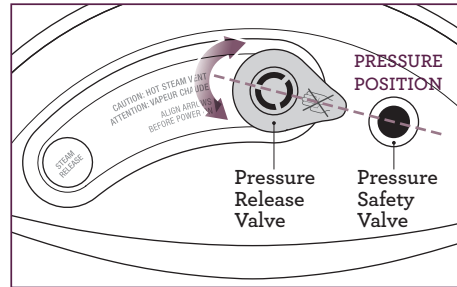
- Select one of the following settings using the Pressure Control dial located on the handle:
 - Low (Low Pressure)
 - Medium (Moderate Pressure)
 - High (High Pressure)



NOTE

Refer to Pressure Cooking guide and recipes on page 24–30 and page 34–46.

- Ensure the Pressure Regulator Release Valve is turned to the PRESSURE position. For correct PRESSURE position, align the pressure release valve with the dash graphic that goes across the pressure safety valve. See diagram below.



The illustration above shows the correct Pressure Release Valve position.

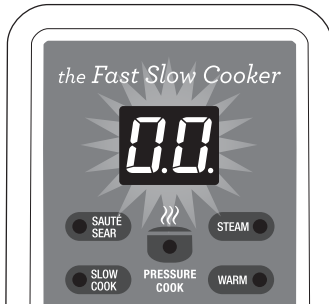
You may need to adjust the Pressure Release Valve until it is in the correct position. Note: The arrows should be aligned.

- Press the FUNCTION button until PRESSURE COOK indicator light flashes red.
- To set the TIMER; press the TIMER button to increase cooking time. This will be illuminated on LED display from 02 minutes to maximum 99 minutes. To fast advance time, press and hold down the TIMER button. When desired cooking time is displayed, press the START/CANCEL button.

The function indicator light will stop flashing and will illuminate a solid red. Preheating will begin, control panel will continue to display selected cooking time. As selected pressure setting is achieved, there will be a slight hissing of steam from the Pressure Release Valve. After approximately 10 minutes, or more depending on the amount of liquid added to cooking bowl, selected cooking time will begin to count down in minutes and this is shown on LED display.

A BEGINNER'S GUIDE TO PRESSURE COOKING

- When LED displays "0" cooking has finished. The appliance will sound 5 beeps.



- To release pressure from Pressure Release Valve, press the Steam Release Button until initial bursts of steam have been released. Then you may either continue to press the Steam Release Button or rotate the Pressure Release Valve until all steam has been released and pressure indicator rod has dropped.
- Wait 1 minute after releasing pressure to unlock and remove lid.
- To open lid turn handle in a counterclockwise direction until aligning "ALIGN" arrows to the OPEN position. This should be effortless.
- Check food to see if it has been cooked sufficiently. If not, replace lid and lock into position following the previous steps.

IMPORTANT

- It can take from 30 seconds to 20 minutes to bring food to pressure, depending on the food and quantity being cooked. To speed this time up use boiling, not cold liquid.*
- Do not fill removable cooking bowl higher than MAX line marking on the inside of the cooking bowl.*
- Do not exceed the mark line 8 on the inside of the cooking bowl when pressure cooking foods that expand; for example, dried beans, grains and legumes.*
- The minimum amount of combined food and liquid to be added to removable cooking bowl for Pressure Cook recipes cooking in under 10 minutes is 1 quart (4 cups). Anything less might boil dry and the appliance will not function. Additional liquid may need to be added during cooking.*
- Never operate appliance when it is empty. Do not cook with less than 1 quart of combined food and liquid.*
- Never use oil or milk as a cooking liquid such as deep frying or making custards. Only use hot/warm liquids particularly after sautéing to avoid any damage to the removable cooking bowl. Adding hot liquids also reduces the time to reach pressure.*

A BEGINNER'S GUIDE TO PRESSURE COOKING

- *Keep hands and face clear of Pressure Release Valve when appliance is in Pressure Cooking operation. Hot steam and water may be emitted during use.*
- *When cooking under pressure, the appliance lid can not be opened. Do not try to force the lid open.*
- *After making soups and stocks, allow several minutes before releasing pressure and removing lid to make sure that hot liquid inside will not boil over.*



WARNING

Use caution when opening the lid. Steam escapes as soon as the lid is opened. Never place your face or hands over the appliance when removing the lid. Always use oven mitts when handling the hot removable cooking bowl.

PRESSURE COOKING GUIDE & CONVERTING CONVENTIONAL RECIPES

for your Breville product

PRESSURE COOKING GUIDE

Your favorite traditional recipes can be easily adapted to PRESSURE COOK setting. The following charts are a guide to Pressure Cooking times as compared to conventional cooking times.

If trying conventional recipes that are not included in our recipe section, we recommend you calculate that it will cook 70% faster than conventional cooking time.

NOTE

Time will vary with individual recipes and according to nature of certain foods and quantities. If results are under cooked, close and lock lid, press FUNCTION button until PRESSURE COOK indicator light flashes red.

Set the timer accordingly and press START/CANCEL button to rebuild pressure and cook for required time.

MEAT, POULTRY & SEAFOOD	PRESSURE SETTING	PRESSURE COOK TIME	CONVENTIONAL COOKING TIME
LAMB Lamb Shanks 4 x 4.5-5" long Lamb, 1" diced (2lbs)	HIGH HIGH	30-35 minutes 10-12 minutes	2 hours 1½ -2 hours
BEEF/GAME Rolled beef rib roast (2lbs) Rabbit, pieces (2lbs)	HIGH/then LOW HIGH	13-15 minutes 25-30 minutes	2 hours 1 ½ hours
PORK Spare Ribs (2lbs)	HIGH	15 minutes	45 minutes
POULTRY Chicken breast fillets (4 halves) Chicken drumsticks (8) Whole chicken (2lbs)	MEDIUM MEDIUM MEDIUM	2-4 minutes 10-15 minutes 15-20 minutes	15-20 minutes 30-35 minutes 1 hour
FISH/SEAFOOD Shrimp (2lbs) Fish fillets (2lbs), cut into 1 inch cubes	LOW LOW	2-3 minutes 2-3 minutes	5 minutes 6 minutes

NOTE

To avoid overcooking fish and seafood when using PRESSURE COOK function, it is generally a good idea to release steam and remove lid to stop cooking immediately. Remove fish or seafood and serve.

PRESSURE COOKING GUIDE

PRESSURE COOKING RICE

Wash rice well until water runs clear. Drain well and add rice to removable cooking bowl, measure water or stock using rice cup provided and add to removable cooking bowl. Secure lid on.

1. Press FUNCTION button then select PRESSURE COOK, indicator light will illuminate.
2. Enter TIME according to type of rice and quantity used. Time is displayed on LED.
3. Ensure the Pressure Release Valve is turned to PRESSURE position and Pressure Control Dial turned to desired setting position. Press START/CANCEL button.
4. Once timer is 0 and 5 beeps sound, release PRESSURE.
5. Open lid. If water has not been completely absorbed, stir rice to evaporate excess moisture before removing.

RICE	CUPS	WATER QTY	PRESSURE SETTING	COOK TIME
WHITE LONG OR SHORT GRAIN RICE, JASMINE & BASMATI RICE	2	2 RICE CUPS	LOW	7 MINUTES
	4	4 RICE CUPS	LOW	9 MINUTES
	6	6 RICE CUPS	LOW	10 MINUTES
	8	8 RICE CUPS	LOW	12 MINUTES
	10	10 RICE CUPS	LOW	14 MINUTES
BROWN RICE	2	2½ RICE CUPS	MEDIUM	15 MINUTES
	4	6 RICE CUPS	MEDIUM	20 MINUTES
	6	9 RICE CUPS	MEDIUM	25 MINUTES
	8	12 RICE CUPS	MEDIUM	30 MINUTES
	10	15 RICE CUPS	MEDIUM	35 MINUTES

PRESSURE COOKING GUIDE

NOTE

When cooking rice, cereals or pasta, depressurize slowly after cooking by pressing the Steam Release button in short bursts.

NOTE

To speed up the build up of pressure whilst pressure cooking, use boiling water or stock.

NOTE

Use rice cup supplied with the Fast Slow Cooker to measure rice and water. Rice cup is not a standard 1 cup U.S. measure.

NOTE

These cooking times are approximates only and times will vary according to nature of certain foods and quantities. If results are under cooked please refer to recipe section for recipes relating to these cooking charts.

NOTE

Do not exceed mark line 8 on the inside of the cooking bowl when pressure cooking foods that expand such as dried beans, grains and legumes.



IMPORTANT

Do not use the appliance to cook instant rice.

PRESSURE COOKING GUIDE

PRESSURE COOKING LEGUMES

1lb of dried legumes yields approximately 3-4 cups cooked legumes depending on type.

INGREDIENTS

1 ½ cups dried beans or peas
3 cups water for cooking

METHOD

1. Add beans or peas and water to the removable cooking bowl, ensuring not to fill higher than water level mark 6. Secure lid on.

Pressure Cook Setting

2. Press FUNCTION button and select PRESSURE COOK, indicator light will illuminate.

3. Enter TIME according to beans or peas used, time is displayed on LED. Pressure Release Valve is to be turned to PRESSURE position and Pressure Control Dial turned to MEDIUM position.
4. Press START/CANCEL button.
5. Once timer is 0 and 5 beeps sound, release PRESSURE.
6. Open lid. Allow to cool then remove and drain beans or peas. Use as required as a substitute for canned beans or peas.

TIP

Cooking times recommended in chart are for legumes.

Where a recipe includes cooking of dried legumes with other ingredients, cooking time will need to be increased. As a guide, reduce conventional recipe cooking time by ⅔.

LEGUMES	PRESSURE SETTING	PRESSURE COOK TIME	CONVENTIONAL COOKING TIME
Cannellini beans	MEDIUM	12-15 minutes	40-45 minutes
Chick peas (Garbanzo beans)	MEDIUM	35-40 minutes	2 hours
Lima beans, large	MEDIUM	6-8 minutes	30 minutes

NOTE

These cooking times are approximates only and times will vary according to nature of certain foods and quantities.

PRESSURE COOKING GUIDE

PRESSURE COOKING VEGETABLES

INGREDIENTS

2lbs prepared vegetables
1 cup water or stock

METHOD

1. Add vegetables and water or stock to the removable cooking bowl. Secure lid on.

Pressure Cook Setting

2. Press the FUNCTION button and select PRESSURE COOK, indicator light will illuminate.
3. Enter TIME according to vegetable used, time is displayed on LED.
4. Ensure the Pressure Release Valve is to be turned to PRESSURE position and the Pressure Control Dial turned to desired pressure position.
5. Press the START/CANCEL button.
6. Once timer is 0 and 5 beeps sound, release PRESSURE.
7. Open lid.

VEGETABLES	PRESSURE SETTING	PRESSURE COOK TIME	CONVENTIONAL COOKING TIME
Beets (baby) whole or large beets (quartered)	HIGH	6-8 minutes	20-25 minutes
Carrots, 1 inch slices	MEDIUM	2-3 minutes	6-10 minutes
Corn on the cob, halved	HIGH	3-4 minutes	10-12 minutes
Squash, diced	LOW	10 minutes	20-30 minutes
Potato, diced for mashing	MEDIUM	8-10 minutes	10-15 minutes
Rutabaga, 1 inch slices	HIGH	4-5 minutes	15-20 minutes

NOTE

These cooking times are approximates only and times will vary according to nature of certain foods and quantities.

PRESSURE COOKING GUIDE

FRUIT	PRESSURE SETTING	PRESSURE COOK TIME	CONVENTIONAL COOKING TIME
FRUIT Apples, whole, 2lbs Peaches, whole, 2lbs Pears, whole, 2lbs	LOW LOW LOW	5-6 minutes 4-5 minutes 12-15 minutes	30 minutes 20 minutes 30-35 minutes

NOTE

These cooking times are approximates only and times will vary according to nature of certain foods and quantities.

NOTE

Slow Release – If the steam release button is not depressed when cooking is finished, the steam will automatically vent out of the Pressure Release Valve slowly. This method is recommended for recipes containing larger quantities of liquid such as soups and casseroles to prevent liquid being forced out with the steam. The Slow release method is also used to finish off recipes such as risottos and puddings.

HOW TO POT ROAST

HOW TO POT ROAST

The addition of liquid is required for pot roasting. Place meat in the removable cooking bowl, then add sufficient liquid to cover up to a third of the meat.

When using SLOW COOK or PRESSURE COOK settings, meat will not brown during the pot roasting process, so for browner results, seal on the SAUTÉ setting prior to pot roasting.

SUITABLE MEAT CUTS FOR POT ROASTING

Beef Topside, Blade, Silverside Roasts, Rump

Beef Rolled Brisket.

Lamb Forequarter, Shoulder.

Veal Shoulder/Forequarter.

Pork Loin, Neck.

POT ROAST

Serves 4 to 6

INGREDIENTS

2-2½ lbs boneless chuck roast
2 cloves garlic, peeled and crushed
1 tablespoon vegetable oil
1 brown onion, peeled and chopped
½ cup beef stock
5oz Italian tomato paste
16oz can diced tomatoes
1 tablespoon brown sugar, firmly packed
1 teaspoon dry mustard
½ teaspoon paprika
2 tablespoons lemon juice
2 tablespoons cider vinegar
1 teaspoon Worcestershire sauce
2 tablespoons chopped fresh parsley

METHOD

Rub meat all over with crushed garlic.

Sauté Setting

1. Press the FUNCTION button then select SAUTÉ, ensure indicator light illuminates. Enter 15 minutes TIME, time is displayed on LED.

Press the START/CANCEL button and wait 3 minutes while bowl is heating before cooking.

2. Add meat and brown well on all sides. Remove meat and set aside.
3. Heat oil for 20 seconds and add onions, sauté for 2-3 minutes until onions have softened.
4. Add beef stock, tomato paste, diced tomatoes and juice, brown sugar, dry mustard, paprika, lemon juice, cider vinegar and Worcestershire sauce.
5. Stir well until all ingredients are well mixed and bring mixture to the boil.
6. Return meat to removable cooking bowl and turn to coat all over with sauce. Secure the lid in place.

Pressure Cook Setting

7. Press the FUNCTION button then select PRESSURE COOK, indicator light will illuminate.
8. Enter 45 minutes TIME, time is displayed on LED.
9. Ensure the Pressure Release Valve is turned to the PRESSURE position and the Pressure Control Dial turned to the MEDIUM position.
10. Press the START/CANCEL button.
11. Once timer is 0 and 5 beeps sound, release PRESSURE.
12. Open lid. Check beef, it should be soft when pierced with a knife. Remove meat and slice and return to the removable cooking bowl for 10 minutes before serving. Garnish with chopped parsley and serve.

NOTE

If you would like to slow cook this recipe follow the SLOW COOK instructions on page 47-48 and set for 6 or 8 hours.

HOW TO ROAST

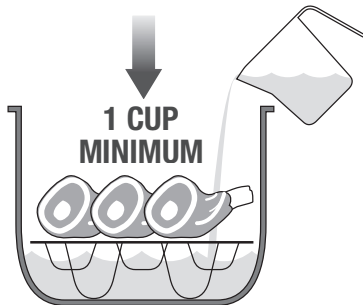
HOW TO ROAST

Roasting meats using either **PRESSURE COOK** or **SLOW COOK** settings, creates tender, flavorsome results. Both cooking processes break down and soften the connective and muscle tissue within the meat, making it easier to slice.

Meat will not be browned during **PRESSURE COOK** or **SLOW COOK** settings, so for seared results use the **SAUTÉ** setting first.

Using **SLOW COOK** or **PRESSURE COOK** Setting

Elevate the meat to be cooked on provided stainless steel trivet. Add a minimum of 1 cup (250ml) hot liquid (water or stock).



This will assist in keeping the surface of the meat dry and free from any fat released throughout the cooking process. The stainless steel trivet rack will keep the meat, raised above the boiling liquid.

NOTE

Do not use oil or milk as a liquid.

TIP

The **SLOW COOK** or **PRESSURE COOK** functions will stop operating if there is insufficient liquid. Add more liquid, make sure at all times a minimum 1 cup liquid is in cooking bowl during cooking.

SUITABLE MEAT CUTS FOR ROASTING

Beef Blade, Rump, Rib Roast, Fresh Silverside, Topside.

Lamb Leg, Mid Loin, Rack, Crown Roast, Shank, Shoulder, Mini Roasts.

Veal Leg, Loin, Rack, Shoulder/Forequarter.

Pork Loin, Neck, Leg, Racks (remove skin & fat).

HOW TO ROAST

BASIC ROAST

INGREDIENTS

2-2 ½lb beef, veal, lamb or pork roast or
whole 2 ½lb chicken
1 cup beef or chicken stock

METHOD

Sauté Setting

1. Press the FUNCTION button then select SAUTE, indicator light will illuminate.
2. Enter 10 minutes TIME, time is displayed on LED.
3. Press the START/CANCEL button and wait 3 minutes while bowl is heating before cooking. Add meat and brown well on all sides. Remove meat and set aside. Add beef stock or chicken stock and mix with spatula. Carefully place trivet into the bowl. Place meat onto trivet. Secure lid in place.

Pressure Cook Setting

4. Press the FUNCTION button and select PRESSURE COOK, ensure indicator light illuminates.
5. Enter 13 minutes for rare or 15-18 minutes for medium to well done TIME, time is displayed on LED.
6. Ensure the Pressure Release Valve is turned to the PRESSURE position and Pressure Control Dial turned to LOW position.
7. Press the START/CANCEL button.
8. Once timer is 0 and 5 beeps sound, release PRESSURE.
9. Open the lid. Rest meat on a plate, covered with foil for 10 minutes before carving. Season to taste and serve.

NOTE

If you would like to slow cook this recipe follow the slow cook instructions on page 47-48 and set for 6 or 8 hours.

HOME MADE HOMMUS

Makes 2 cups

INGREDIENTS

2 cups dried chickpeas

3 cups water

2 cloves garlic, crushed

Juice of a lemon

2 tablespoons hulled tahini

2-3 tablespoons olive oil

Salt to taste

METHOD

1. Wash chickpeas in cold water and pick out any blemished peas and discard. Drain well and place into the removable cooking bowl and pour over water. Secure lid on.
2. Press FUNCTION button then select PRESSURE COOK, indicator light will illuminate.
3. Enter 35 minutes TIME, time is displayed on LED.
4. Pressure Release Valve is turned to PRESSURE position and Pressure Control Dial turned to MEDIUM position.
5. Once timer is "0" and 5 beeps sound, release PRESSURE.
6. Open lid and cool completely.
7. Place cooked chickpeas into the bowl of a food processor and add garlic, lemon juice and tahini; process until smooth.
8. While motor is running pour in oil and season to taste. If mixture is too thick, thin it down with warm water until a good consistency.
9. Serve with falafel, pita bread and salad.

CHICKEN STOCK

Makes 2.5 quarts

INGREDIENTS

2lbs chicken carcasses
1 onion, sliced
1 carrot, cut into 5 chunks
1 stick celery, sliced
4 white peppercorns
1 bay leaf
5 parsley stalks
2.5 quarts water

METHOD

Sauté setting

1. Remove as much fat and skin from carcasses and rinse thoroughly; drain well and place into removable cooking bowl, along with remaining ingredients. Secure lid on.

Pressure cook setting

2. Press FUNCTION button then select PRESSURE COOK, indicator light will illuminate.
3. Enter 1 hour TIME, time is displayed on LED.
4. Pressure Release Valve is turned to PRESSURE position and Pressure Control Dial turned to HIGH position.
5. Once timer is 0 and 5 beeps sound, release PRESSURE.
6. Open lid and cool completely.
7. Strain stock through a fine sieve. Refrigerate until fat rises to the top and solidifies.
8. Remove hardened fat layer and discard. Divide into smaller containers; label and freeze or use straight away.

PRESSURE COOK RECIPES - STOCKS

BEEF STOCK

Makes 2.5 quarts

INGREDIENTS

2 tablespoons oil
2 carrots, diced
2 sticks celery, sliced
2 onions, chopped
2 garlic cloves, sliced
3lbs beef bones, rinsed
2 thyme sprigs
4 parsley stems
2 bay leaves
1 teaspoon black peppercorns
2.5 quarts water

METHOD

Sauté setting

1. Press FUNCTION button then select SAUTE, indicator light will illuminate.
2. Enter 30 minutes TIME, time is displayed on LED.
3. Press START/CANCEL button and wait 3 minutes while removable cooking bowl is heating. Add oil and heat a further 2 minute.
4. Add carrots, celery, onion, garlic and beef bones and cook, stirring occasionally for 25 minutes or until vegetables and bones are a deep golden brown.

Pressure Cook setting

5. Stir in herbs, peppercorns and water and scrape to dislodge caramelized cooking juices in the bottom of the pan.
6. Press FUNCTION button then select PRESSURE COOK, indicator light will illuminate.
7. Enter 1 hour TIME, time is displayed on LED.
8. Pressure Release Valve is turned to PRESSURE position and Pressure Control Dial turned to HIGH position.
9. Once timer is "0" and 5 beeps sound, release PRESSURE.
10. Open lid and cool completely.
11. Strain stock through a fine sieve. Refrigerate until fat rises to the top and solidifies.
12. Remove hardened fat layer and discard. Divide into smaller containers; label and freeze or use straight away.

PRESSURE COOK RECIPES - SOUP

CHICKEN SOUP

Serves 6 to 8

INGREDIENTS

- 3lbs chicken pieces (legs, wings, thighs)
- 1 medium onion, quartered
- 2 carrots, peeled and cut into 1 inch slices
- 1 celery stick, including green leaves, halved
- 4 sprigs parsley
- 3 sprigs fresh dill
- 1 teaspoon salt
- 10 black peppercorns
- 1-1.25 quarts (4-5 cups) water

METHOD

Sauté Setting

1. Wash chicken thoroughly and cut off excess fat.
2. Press FUNCTION button then select SAUTÉ, ensure indicator light illuminates. Enter 15 minutes TIME, time is displayed on LED. Press START/CANCEL button and wait 3 minutes while bowl is heating before cooking.
3. Into removable cooking bowl place all ingredients and cover with water. Bring soup to a boil and carefully skim scum off the top with a large spoon. Secure lid on.

Pressure Cook Setting

4. Press FUNCTION button then select PRESSURE COOK, indicator light will illuminate.
5. Enter 30 minutes TIME, time is displayed on LED.
6. Pressure Release Valve is turned to PRESSURE position and Pressure Control Dial turned to MEDIUM position.
7. Press START/CANCEL button.
8. Once timer is 0 and 5 beeps sound, release PRESSURE.
9. Open lid. Let soup cool and strain through a sieve. Refrigerate soup overnight.
10. Next day, remove and discard fat from top of soup. Heat soup and adjust seasoning. Serve with egg noodles.

VEGETABLE SOUP

Serves 4 to 6

INGREDIENTS

- 1 tablespoon vegetable oil
- 1 large onion, finely chopped
- 3 cloves garlic, finely chopped
- 2 large carrots, diced
- 1 small sweet potato, diced
- ½lb butternut squash, diced
- 3 cups (750ml) boiling water
- Sea salt and freshly ground pepper
- 2 tablespoons grated Parmesan cheese

METHOD

Sauté Setting

1. Press FUNCTION button then select SAUTÉ, indicator light will illuminate.
2. Enter 10 minutes TIME, time is displayed on LED.
3. Press START/CANCEL button and wait 3 minutes while bowl is heating before cooking.
4. Add oil to bowl, heat for 20 seconds. Then add onion and sauté for 2 minutes.
5. Add garlic, carrots, sweet potato and butternut squash, sauté, about 5 minutes, stirring occasionally.
6. Add boiling water, salt and pepper. Stir well. Secure lid on.

Pressure Cook Setting

7. Press FUNCTION button then select PRESSURE COOK, indicator light will illuminate.
8. Enter 10 minutes TIME, time is displayed on LED.
9. Pressure Release Valve is turned to PRESSURE position and Pressure Control Dial turned to MEDIUM position. Press START/CANCEL button.
10. Once timer is "0" and 5 beeps sound, release PRESSURE.
11. Open lid. Blend soup in a food processor or blender until smooth. Serve topped with grated cheese.

CHICK PEA CURRY WITH SWEET POTATO

Serves 6 to 8

INGREDIENTS

- 1½ cups (335g) dried chick peas
- 1 tablespoon olive oil
- 1 large onion, finely chopped
- 4 cloves garlic, finely chopped
- 1 teaspoon fresh chopped ginger
- 1 cinnamon stick
- 1 teaspoon ground chilli powder
- 1 teaspoon ground cilantro
- 1 teaspoon ground cumin
- 16oz can diced tomatoes
- ½ lb sweet potato cut into 1" pieces
- 1½ cups (375ml) vegetable or chicken stock
- 1 tablespoon brown sugar, well packed
- Salt and pepper to taste
- ½ cup (125ml) coconut milk, optional
- ¼ cup chopped fresh cilantro

METHOD

Pressure Cook Setting

1. Add chick peas and 3 cups hot water to removable cooking bowl ensuring not to fill more than ⅓ full. Secure lid on.
2. Press FUNCTION button then select PRESSURE COOK, indicator light will illuminate.
3. Enter 35 minutes TIME, time is displayed on LED. Ensure Pressure Release Valve is turned to PRESSURE position and Pressure Control Dial turned to MEDIUM position. Press START/CANCEL button. Once timer is "0" and 5 beeps sound, release PRESSURE. Open lid. Drain and rinse chick peas. Set aside.
4. Wash and thoroughly dry removable cooking bowl before placing back into base.

Sauté Setting

5. Press FUNCTION button then select SAUTÉ, ensure indicator light illuminates.
6. Enter 10 minutes TIME, time is displayed on LED.
7. Press START/CANCEL button and wait 3 minutes while bowl is heating before cooking. Add oil to bowl, heat for 20 seconds. Add onion, garlic and ginger, sauté for 5 minutes, stirring occasionally. Add all spices and sauté 3 minutes or until spices are fragrant, stirring occasionally. Add chick peas, diced tomatoes, sweet potato, stock, brown sugar, salt and pepper. Bring to the boil. Secure lid on.

Pressure Cook Setting

8. Press FUNCTION button then select PRESSURE COOK, indicator light will illuminate.
9. Enter 30 minutes TIME, time is displayed on LED.
10. Pressure Release Valve is turned to PRESSURE position and Pressure Control Dial turned to MEDIUM position.
11. Press START/CANCEL button.
12. Once timer is "0" and 5 beeps sound, release PRESSURE.
13. Open lid. Mix through coconut milk and serve topped with chopped cilantro.

CHICKEN AND PESTO RISOTTO

Serves 4 to 6

INGREDIENTS

1 tablespoon butter
½lb chicken breast fillets, thinly sliced
1 tablespoon olive oil
1 large onion, finely chopped
3 cloves garlic, finely minced
¾ cup Arborio or Carnaroli rice
1.25 quarts (5 cups) chicken stock
⅓ cup pesto
¼ cup grated Parmesan cheese
Wild or baby arugula leave to garnish
Extra grated Parmesan cheese to serve

METHOD

Sauté Setting

1. Press FUNCTION button then select SAUTÉ, indicator light will illuminate.
2. Enter 18 minutes TIME, time is displayed on LED. Press START/CANCEL button and wait 3 minutes while bowl is heating before cooking.
3. Add half butter to bowl, heat for 30 seconds, add chicken in two batches and cook until golden brown all over. Remove and set aside. Heat remaining butter and oil until butter has melted.
4. Add onions and garlic and cook for 4 minutes until onion has softened, stirring occasionally. Add rice, mix well and cook 3 minutes, stirring occasionally. Stir in chicken stock and mix well. Secure lid on.

Pressure Cook Setting

5. Press FUNCTION button then select PRESSURE COOK, indicator light will illuminate.
6. Enter 10 minutes TIME, time is displayed on LED.
7. Pressure Release Valve is turned to PRESSURE position and Pressure Control Dial turned to MEDIUM position.
8. Press START/CANCEL button.
9. Open lid. Rice should be 'al dente'. Mix through chicken, pesto, ¼ cup Parmesan cheese and arugula leaves. Serve immediately with extra Parmesan cheese.

PRESSURE COOK RECIPES - CHICKEN

PAPRIKA CHICKEN

Serves 4 to 6

INGREDIENTS

- 2 tablespoons vegetable oil
- 2 medium onions, diced
- 2 vine-ripened tomatoes, skinned and diced
- ½ red or green capsicum, diced
- 1½ tablespoons sweet Hungarian paprika
- 4–6 chicken thigh cutlets with bone (about 2lbs), all skin and gristle removed
- ½ cup (125ml) chicken stock
- ½ cup (125ml) light sour cream
- Salt and pepper to taste

METHOD

Sauté Setting

1. Press FUNCTION button then select SAUTÉ, indicator light will illuminate.
2. Enter 15 minutes TIME, time is displayed on LED.
3. Press START/CANCEL button and wait 3 minutes while bowl is heating before cooking. Heat oil, sauté onions, tomatoes and capsicum for about 8 minutes until tender. Add paprika and cook for 1 minute, stirring constantly. Add chicken pieces and turn over to coat with onion mixture, continue cooking for 4 minutes. Add chicken stock and stir well. Secure lid on.

Pressure Cook Setting

4. Press FUNCTION button then select PRESSURE COOK, indicator light will illuminate.
5. Enter 25 minutes TIME, time is displayed on LED.
6. Pressure Release Valve is turned to PRESSURE position and Pressure Control Dial turned to MEDIUM position.
7. Press START/CANCEL button.
8. Once timer is “0” and 5 beeps sound, release PRESSURE.
9. Open lid. Season to taste with salt and pepper. Stir in sour cream just before serving.

CORNED BEEF

Serves 4 to 6

INGREDIENTS

2-2.5lb piece of corned beef
1 large onion studded with 6 cloves
1 tablespoon cider vinegar
12 black peppercorns
1 stick celery, cut into 4 pieces
1 bay leaf
1 bouquet garni
2 tablespoons brown sugar, firmly packed
1 carrot cut into chunks
water

METHOD

1. Place all ingredients into removable cooking bowl with just enough water to come halfway up the side of the corned beef. Secure lid on.

Pressure Cook Setting

2. Press FUNCTION button then select PRESSURE COOK, indicator light will illuminate.
3. Enter 40 minutes TIME, time is displayed on LED.
4. Pressure Release Valve is to be turned to PRESSURE position and Pressure Control Dial turned to LOW position.
5. Press START/CANCEL button.
6. Once timer is 0 and 5 beeps sound, release PRESSURE.
7. Open lid. Check corned beef; it should be soft when pierced with a knife. Let corned beef rest for 15 minutes before serving.

PRESSURE COOK RECIPES - BEEF

SOY AND GARLIC BEEF ROAST

Serves 4 to 5

INGREDIENTS

- 2.5lb rolled beef boneless scotch fillet
- 1 tablespoon olive oil
- 1 tablespoon light soy sauce
- 1 tablespoon chopped garlic
- 1 birds' eye chilli, deseeded and finely minced
- 1 cup (250ml) boiling beef stock
- 1 cup (250ml) cup dry red wine
- Salt and pepper to taste

METHOD

1. Place beef into a large bowl and mix together oil, soy sauce, garlic and chilli. Massage soy mixture into beef. Cover and refrigerate for 4 hours or overnight.

Sauté Setting

2. The next day, press FUNCTION button then select SAUTÉ, indicator light will illuminate.
3. Enter 10 minutes TIME, time is displayed on LED.
4. Press START/CANCEL button and wait 3 minutes while removable cooking bowl is heating before cooking. Sear and brown meat all over. Remove meat and add beef stock and red wine and mix with spatula. Carefully place trivet into removable cooking bowl. Place meat onto trivet. Secure lid on.

Pressure Cook Setting

5. Press FUNCTION button and select PRESSURE COOK, indicator light will illuminate.
6. Enter 13 minutes for rare to medium or 15 minutes for medium to well done TIME, time is displayed on LED.
7. Ensure Pressure Release Valve is turned to PRESSURE position and Pressure Control Dial turned to LOW position.
8. Press START/CANCEL button.
9. Once timer is 0 and 5 beeps sound, release PRESSURE.
10. Open lid. Rest meat on a plate, covered with foil for 10 minutes before carving. Season to taste and serve.

NOTE

Remaining stock can be reduced using Sauté Setting for 3–5 mins to make a glaze or gravy for roast.

SPAGHETTI WITH QUICK BOLOGNAISE SAUCE

Serves 6 to 8

INGREDIENTS

- 2 tablespoons olive oil
- 1 medium onion, diced
- 4 cloves garlic, crushed
- 1.75lb beef or pork mince
- 2 x 16oz cans chopped tomatoes
- 2 tablespoons tomato paste
- 1 teaspoons dried basil
- 1 teaspoons dried oregano
- 2 teaspoons sugar (optional)
- 1 cup (250ml) water
- Salt and pepper to taste
- 2lbs spaghetti
- Parmesan cheese for topping

METHOD

Sauté Setting

1. Press FUNCTION button then select SAUTÉ, indicator light will illuminate.
2. Enter 15 minutes TIME, time is displayed on LED.
3. Press START/CANCEL button and wait 3 minutes while bowl is heating before cooking.
4. Add olive oil to removable cooking bowl heat for 20 seconds; add onion and garlic, cook for 2-3 minutes. Add meat, breaking up and browning for 5-8 minutes. Add tomatoes, tomato paste, basil, oregano, sugar, water, salt and pepper. Stir well to combine ingredients. Secure lid on.

Pressure Cook Setting

5. Press FUNCTION button then select PRESSURE COOK, indicator light will illuminate.
6. Enter 35 minutes TIME, time is displayed on LED.
7. Pressure Release Valve is turned to PRESSURE position and Pressure Control Dial turned to HIGH position.
8. Press START/CANCEL button.
9. Once timer is 0 and 5 beeps sound, release PRESSURE.
10. Open lid. Season to taste with salt and pepper.
11. Meanwhile bring a large saucepan of salted boiling water, cook pasta for about 6-8 minutes or until tender. Drain well. Mix sauce through spaghetti and serve immediately topped with Parmesan cheese.

BASIC EGG CUSTARD

Serves 4

INGREDIENTS

4 eggs, beaten

$\frac{1}{3}$ cup caster sugar

$\frac{3}{4}$ cup (200ml) milk

1½ teaspoons vanilla extract

METHOD

1. In a large bowl, whisk eggs, sugar, milk and vanilla together.
2. Pour mixture through a fine sieve into a greased 6 cup soufflé or ovenproof dish.
3. Cover with 2 sheets of greaseproof paper and 2 sheets of aluminum foil and secure with string.

Pressure Cook Setting

4. Position trivet into removable cooking bowl and pour in 2 cups of boiling water. Place soufflé or ovenproof dish onto trivet. Secure lid on.
5. Press FUNCTION button then select PRESSURE COOK, indicator light will illuminate.
6. Enter 25 minutes TIME, time is displayed on LED.
7. Pressure Release Valve is turned to PRESSURE position and Pressure Control Dial turned to LOW position. Press START/CANCEL button.
8. Once timer is "0" and 5 beeps sound, release PRESSURE.
9. Open lid. Allow custard to firm for 20–30 minutes before serving. The custard can be refrigerated overnight and serve with stewed fruit.

NOTE

If using a metal dish this may cook faster so suggest to shorten cooking time by 10 minutes.

CHRISTMAS PUDDING

Serves 4 to 6

INGREDIENTS

- ¼lb dried fruit
- 2 tablespoons brandy
- ¼ cup boiling water
- ¼ cup golden syrup
- 4 tablespoons butter
- ½ cup caster sugar
- 2 teaspoons vanilla extract
- 2 eggs, well beaten
- ⅓ cup plain flour
- ⅔ cup self rising flour
- ½ teaspoon baking soda

METHOD

1. Soak fruit in brandy for 3 to 4 hours then add boiling water and soak for 10 minutes.
2. Meanwhile pour golden syrup into base of a greased and lined 6 cup pudding basin.
3. Cream butter, sugar and vanilla together until light and fluffy. Add eggs, a little at a time and beat well. Sift plain flour, self rising flour and baking soda together and fold into creamed mixture with dried fruit and liquid.
4. Spoon mixture into pudding bowl and cover with pudding basin lid or cover with 2 sheets of greaseproof paper and 2 sheets of aluminum foil and secure with string.

Pressure Cook Setting

5. Place trivet into removable cooking bowl and pour in 2 cups of boiling water. Place pudding basin or soufflé dish onto trivet. Secure lid on.
6. Press FUNCTION button then select PRESSURE COOK, indicator light will illuminate.
7. Enter 55 minutes TIME, time is displayed on LED.
8. Ensure Pressure Release Valve is turned to PRESSURE position and Pressure Control Dial turned to LOW position. Press START/CANCEL button.
9. Once timer is 0 and 5 beeps sound, release PRESSURE.
10. Open lid. Allow pudding to stand 30 mins.
11. Turn pudding upside down and serve with custard.

SLOW COOK SETTING

SLOW COOK SETTING

The Fast Slow Cooker has been designed specifically with a unique Slow Cook setting for flavor layering. A technique professional chefs use to enhance and deepen the taste of meals by using the same cooking bowl for sautéing onions and searing meats and creating casseroles, curries, soup, stock and bolognaise.

With the Fast Slow Cooker you can now sauté and slow cook in the cooker using the same non stick cooking bowl. Simply activate SAUTÉ/SEAR function to caramelize vegetables and sear meats and then start to SLOW COOK.

SLOW COOK setting on the Fast Slow Cooker will gently simmer food for an extended period of time.

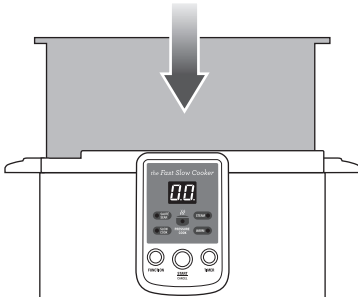
The following is a guide to adjusting your favorite recipes:

TRADITIONAL COOKING TIME	SLOW COOK SETTING TIME
60-120 minutes	6 or 8 hours

SLOW COOK SETTING

HOW TO SLOW COOK

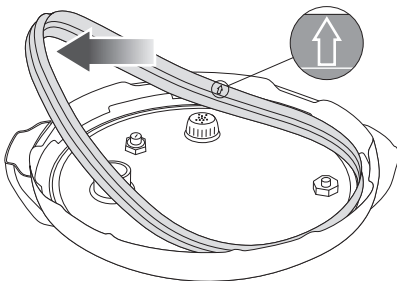
1. Place removable cooking bowl into stainless steel base.



2. Attach clean silicone rubber gasket securely into gasket holder using the indicated arrows as a guide. Ensure that the arrows are facing up when inserting into the lid.

NOTE

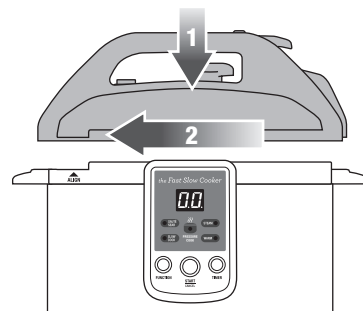
Fit silicone rubber sealing gasket into lid if not already in place.



3. Place a minimum of 1 quart (4 cups) combined food and liquid into removable cooking bowl.



4. Close and lock lid by using handle. Close lid in a clockwise direction by aligning "ALIGN" arrows. Lid arrow should align with stainless steel base arrow until it locks into place and is in the CLOSE position. This should be effortless.

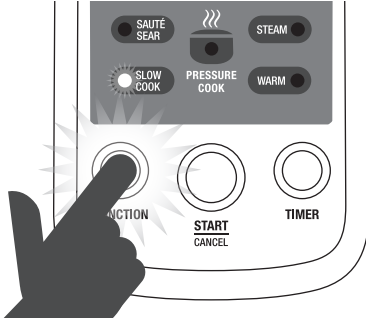


NOTE

The Pressure Release Valve is not relevant during slow cooking.

SLOW COOK SETTING

- Press the FUNCTION button until SLOW COOK indicator light flashes red.



- To set the TIMER; press TIMER button and choose either 6 hours or 8 hours, 6H or 8H this will illuminate on LED display. When desired cooking time is displayed, press the START/CANCEL button. The function indicator light will stop flashing and will illuminate a solid red.
- Preheating will begin, the control panel will continue to display selected cooking time, and count down in one hour increments. The last hour will countdown in one minute increments on LED display.
- When the LED displays 0 cooking has finished. The appliance will sound 5 beeps and will automatically switch to KEEP WARM setting for 30 minutes.



- To open lid turn handle in a counterclockwise direction until aligning ALIGN arrows to OPEN position.

! IMPORTANT

- Never use the SLOW COOK setting without food and liquids in the removable cooking bowl.
- Always have lid closed throughout the operation of the SLOW COOK setting.
- Always use dry pot holders or oven mitts to remove cooking bowl when hot.
- Do not place removable cooking bowl or stainless steel lid when hot on any surface that may be affected by heat.

! WARNING

Always open stainless steel lid carefully and away from yourself to avoid scalding from escaping steam.

Using the Keep Warm Function

Automatically - after slow cooking has finished, keep warm will function for 30 minutes.

Manual - select keep warm function and time can be programmed from 02 to 99 minutes.

LAMB SHANKS BRAISED IN CHAR SIU SAUCE

Serves 4

INGREDIENTS

- 4 lamb shanks (4-5 inches)
- 1 tablespoon plain flour
- 1 tablespoon vegetable oil
- 1 medium onion, finely chopped
- 4 cloves garlic, finely minced
- 1 tablespoon chopped fresh ginger
- 1-2 small red chillies, seeds removed and chopped
- 1½ cups (375ml) chicken stock
- ½ cup Char Siu sauce
- 2 tablespoons Hoisin sauce
- 1 tablespoon light soy sauce

METHOD

Coat each lamb shank in flour shaking off excess.

Sauté Setting

1. Press FUNCTION button then select SAUTÉ, ensure indicator light illuminates.
2. Enter 15 minutes TIME, time is displayed on LED.
3. Press START/CANCEL button and wait 3 minutes while removable cooking bowl is heating.
4. Add oil to bowl, heat 1 minute, add lamb shanks in batches and cook until golden brown all over. Remove and set aside.
5. Add onions, garlic, ginger and chillies and sauté for 3 minutes or until onions and garlic is light golden brown.
6. Add chicken stock, Char Siu sauce, Hoisin sauce and soy sauce, mixing well. Add lamb shanks and turn to coat all over with sauce. Secure lid on.

Slow Cooking Setting

7. Press FUNCTION button then select COOK, ensure indicator light illuminates.
8. Enter 8HR TIME, time is displayed on LED. Press START/CANCEL button.
9. Once timer is "0" and 5 beeps sound, open lid. Cooked lamb shanks should be very tender and falling off the bone.

CHICKEN WITH SHALLOTS AND GARLIC

Serves 4 to 6

INGREDIENTS

2lbs chicken pieces (thigh cutlets and drumsticks), excess fat and skin removed

¼ teaspoon salt

¼ teaspoon ground white pepper

2 tablespoons vegetable oil

2 teaspoons butter

1 head garlic, peeled and separated

6 to 8 shallots or small onions, peeled

1 cup (250ml) dry white wine

1 fresh sprig thyme plus 1 tablespoon fresh thyme leaves

¾ cup (185ml) cooled chicken stock

1 tablespoon cornflour

METHOD

Season chicken pieces with salt and pepper.

Sauté Setting

1. Press FUNCTION button then select SAUTÉ, ensure indicator light illuminates.
2. Enter 18 minutes TIME, time is displayed on LED.
3. Press START/CANCEL button and wait 3 minutes while bowl is heating before cooking. Add oil and butter to bowl, heat for 30 seconds. Add chicken pieces in batches and cook until golden brown all over. Remove and set aside. Add garlic and shallots, sauté for 3 minutes or until garlic and onions are light golden brown. Add wine and sprig of thyme and bring to the boil. Simmer for 2 minutes. Mix cooled chicken stock and cornflour together, pour this mixture in and stir well. Add chicken pieces and mix well. Secure lid on.

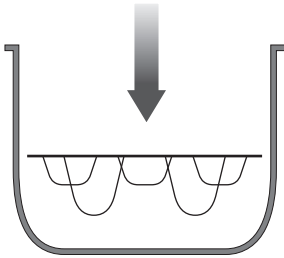
Slow Cooking Setting

4. Press FUNCTION button then select COOK, indicator light will illuminate.
5. Enter 6HR TIME, time is displayed on LED.
6. Press START/CANCEL button. Once timer is "0" and 5 beeps sound. Open lid.
7. Cook chicken pieces until they are very tender and falling off the bone. Stir through fresh thyme leaves and adjust seasoning.

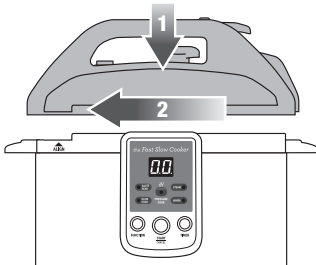
STEAM SETTING

HOW TO STEAM

1. Place stainless steel trivet inside removable cooking bowl and add a minimum 1 quart (4 cups) of hot liquid (water or stock). Place stainless steel steaming basket containing food onto trivet using handle.

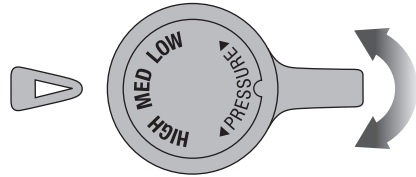


2. Close and lock lid by using handle. Close lid in a clockwise direction by aligning "ALIGN" arrows. Lid arrow should align with stainless steel base arrow until it locks into place and is in the CLOSE position. This should be effortless.



3. Select one of the following settings using the Pressure Control dial located on the handle:

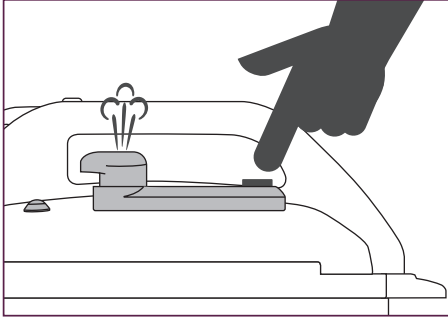
- Low (Low Pressure)
- Medium (Moderate Pressure)
- High (High Pressure)



4. Ensure the Pressure Release Valve is turned to the PRESSURE position.
5. Press the FUNCTION button until PRESSURE COOK indicator light flashes red.
6. To set TIMER; press TIMER button to increase the cooking time this will be illuminated on LED display from 02 minutes to maximum 99 minutes. To fast advance time, press and hold down TIMER button. When desired cooking time is displayed, press START/CANCEL button. The function indicator light will stop flashing and will illuminate a solid red. Preheating will begin, control panel will continue to display selected cooking time. As selected pressure setting is achieved, there will be a slight hissing of steam from the Pressure Release Valve. After approximately 10 minutes, or more depending on the amount of liquid added to cooking bowl, selected cooking time will begin to count down in minutes and this is shown on LED display.
7. When LED displays 0 cooking has finished. Breville Fast Slow Cooker will sound 5 beeps.
8. To release pressure, steam can be released in the following two ways:

STEAM SETTING

Quick Release - This method uses the Steam Release Button. Depress in short bursts until all steam has been released.



! IMPORTANT

Steam Release Button will be hot if pressed for prolonged period.

Slow Release - If the Steam release button is not depressed when cooking is finished, the steam will automatically vent out of the Pressure Release Valve slowly. This method is recommended for recipes containing larger quantities of liquid such as soups and casseroles to prevent liquid being forced out with the steam. The Slow release method is also used to finish off recipes such as risottos and puddings.

NOTE

Release steam by using method recommended in recipe.

9. Wait a minimum 1 minute after releasing pressure/steam to unlock and remove the lid. To open the lid, use handle in a counterclockwise direction until aligning ALIGN arrows to the OPEN position. This should be effortless.

10. Check food to see if it has been cooked sufficiently. If not, replace lid and lock into position and follow the previous steps, from step 4.

! IMPORTANT

- *The STEAMING function operates under pressure, keep hands and face clear of Pressure Release Valve when appliance is in Steaming operation, as hot steam and water may be emitted during use.*

! CAUTION

- *The lid can not be opened when steaming. Do not try to force the lid open.*
- *Use Caution when opening the lid. Steam escapes as soon as the lid is opened. Never place hands and face over the appliance when removing the lid. Always use oven mitts when handling the hot removable cooking bowl.*

BASIC STEAMING CHART

FOOD	TIME
Beets	20-25 minutes
Brussels sprouts	8-10 minutes
Parsnips	5-6 minutes
Squash pieces	10-12 minutes

STEAM RECIPES

Basic Steamed Vegetables

Select vegetable from basic steaming chart.

1 quart hot water or stock.

Place trivet into the removable cooking bowl and pour in 1 quart hot water or stock. Place steaming basket of vegetables onto trivet. Secure lid on.

STEAM in the Fast Slow Cooker

1. Press the FUNCTION button then select STEAM, indicator light will illuminate.
2. Enter recommended TIME for selected vegetable, time will be displayed on LED.
3. Ensure the Pressure Release Valve is turned to the PRESSURE position and the Pressure Control Dial turned to LOW position.
4. Press START/CANCEL button. Once timer is "0" and 5 beeps sound, release PRESSURE.
5. Open lid.

To avoid overcooking foods when using the STEAM function, it is generally a good idea to release steam and remove the lid immediately to stop cooking. Remove the steaming basket by the handles.

STEAM RECIPES

ASIAN FISH PARCELS

Serves 2

INGREDIENTS

2 x 5oz fish fillets, skin on, such as snapper or blue eye trevalla

1 bunch asparagus, trimmed

2 green onions, finely sliced

2 teaspoons finely shredded ginger

¼ cup cilantro sprigs

Juice of ½ a lime

2 tablespoons light soy sauce

½ teaspoon raw or brown sugar

METHOD

1. Lightly score skin of each fillet 2-3 times. Cut a large piece of foil or baking paper and fold over.
2. Divide asparagus and shallots between each parcel and place fish on top. Top with ginger, cilantro, juice, soy and sugar. Fold over foil or paper to enclose completely.
3. Place 2 cups of boiling water into removable cooking bowl and position trivet. Place fish parcels onto trivet. Secure lid on.

Steam Cook Setting

4. Press FUNCTION button then select STEAM COOK, indicator light will illuminate.
5. Enter 12 minutes TIME, time is displayed on LED.
6. Pressure Release Valve is turned to PRESSURE position and Pressure Control Dial turned to LOW position.
7. Press START/CANCEL button. Once timer is "0" and 5 beeps sound, release PRESSURE. Immediately open lid and remove fish and serve with steamed rice.

CARAMEL PUDDING WITH BUTTERSCOTCH SAUCE

Serves 4 to 6

INGREDIENTS

- 4 tablespoons butter
- ½ cup milk
- 1 egg, well beaten
- 2 teaspoons vanilla extract
- 1 cup (150g) self rising flour
- ½ teaspoon baking powder
- Butterscotch Sauce
- ⅓ cup (60g) brown sugar, well packed
- 1 tablespoon golden syrup
- ½ cup boiling water

METHOD

1. In a medium saucepan stir together butter, milk and brown sugar over low heat until butter has melted. Do not boil. Remove from heat and allow to cool to lukewarm.
2. Add egg and vanilla extract to milk. Mix and whisk until well combined.
3. Sift together flour and baking powder in a large bowl, gradually whisk in milk mixture until batter is smooth.
4. Pour batter into a buttered 6 cup pudding bowl or deep ovenproof dish. Sprinkle over extra brown sugar. Drizzle golden syrup evenly over the surface. Gently pour boiling water over this mixture. Grease a large sheet of foil and secure over the top of dish to make a lid.

Pressure Cook Setting

5. Place trivet into removable cooking bowl and pour in 3 cups of boiling water. Place ovenproof dish onto trivet. Secure lid.
6. Press FUNCTION button then select PRESSURE COOK, indicator light will illuminate.
7. Enter 25 minutes TIME, time is displayed on LED.
8. Pressure Release Valve is turned to PRESSURE position and Pressure Control Dial turned to MEDIUM position.
9. Press START/CANCEL button.
10. Once timer is "0" and 5 beeps sound, release PRESSURE.
11. Open lid carefully.
12. Allow pudding to stand for 15 minutes before serving.
13. Pudding should be cooked in the center. Carefully invert pudding onto a large plate and serve immediately. Serve with ice cream or fresh cream.

NOTE

If using a metal pudding bowl the cooking time may vary.

DOUBLE CHOCOLATE PUDDING WITH CHOCOLATE SAUCE

Serves 4 to 6

INGREDIENTS

- 4 tablespoons cooking chocolate
- 2 teaspoons butter
- 1 egg, well beaten
- ½ cup (120g) caster sugar
- 1 teaspoon vanilla extract
- 1 teaspoon lemon juice
- ½ cup (125ml) milk
- 1 cup (225g) plain flour
- 1 teaspoon baking powder
- ½ teaspoon baking soda
- ¼ cup cocoa powder

SAUCE

- 100g dark cooking chocolate
- 125ml heavy cream

METHOD

1. In a small saucepan melt chocolate and butter together over very low heat. Set aside to cool.
2. In a bowl, beat together egg, sugar and vanilla for 5 minutes with an electric beater. Add melted chocolate mixture to egg mixture. Stir lemon juice into milk.
3. Sift flour, baking powder, baking soda and cocoa together and fold into chocolate mixture alternatively with milk mixture.
4. Lightly butter a 6 cup pudding bowl or deep ovenproof dish and line bottom with baking paper.
5. Pour mixture into the basin. Grease two sheets of foil and secure over the top of dish to make a lid.

Pressure Cook Setting

6. Place trivet into removable cooking bowl and pour in 3 cups of boiling water. Place ovenproof dish onto trivet. Secure lid on.
7. Press FUNCTION button then select PRESSURE COOK, indicator light will illuminate.
8. Enter 25 minutes TIME, time is displayed on LED.
9. Pressure Release Valve is turned to PRESSURE position and Pressure Control Dial turned to MEDIUM position.
10. Press START/CANCEL button.
11. Once timer is "0" and 5 beeps sound, release PRESSURE.
12. Open lid carefully.
13. Allow pudding to stand for 15 minutes before serving.
14. Pudding should be cooked in the center. Carefully invert pudding onto a plate and serve immediately chocolate sauce.

To make the sauce: In a small saucepan, over very low heat melt chocolate and heavy cream together stirring occasionally.

NOTE

If using a metal pudding bowl the cooking time may vary.

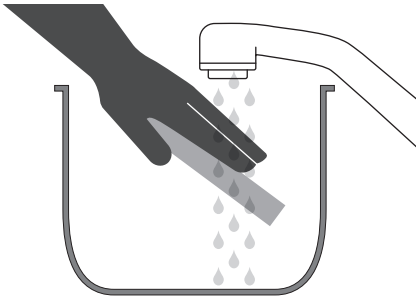
CARE AND CLEANING

your Breville product

CARE AND CLEANING

WARNING

- Do not use abrasive cleaners, steel wool or scouring pads.
 - Do not immerse stainless steel base or power cord in water or any other liquid as they may cause electrocution.
1. Remove the power plug from the power outlet and remove the connector end of the power cord from the appliance inlet before cleaning and/or moving.
 2. Wash removable cooking bowl with warm soapy water and a clean soft cloth or sponge. Rinse with clean water and dry thoroughly.



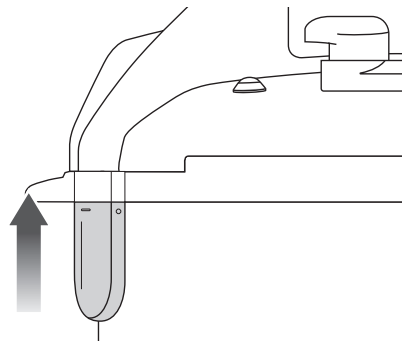
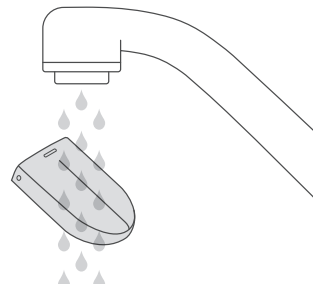
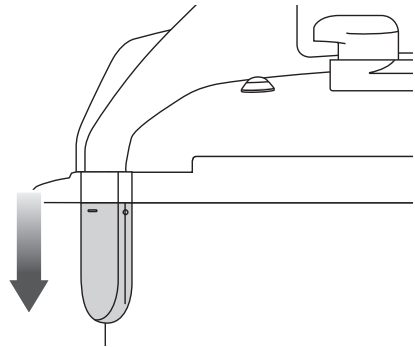
NOTE

Removable cooking bowl can be washed in dishwasher. However, to maintain non-stick coating, it is recommended to wash cooking bowl in hot, soapy water using a mild household detergent. Rinse and dry thoroughly.

WARNING

Do not use abrasive cleaners, steel wool or scouring pads as these can damage the surfaces and non-stick coating.

3. Stainless steel base can be wiped over with a soft, damp cloth and then dried thoroughly.
4. Remove condensation collector by gently pulling downwards and clean it thoroughly under water. Place it back in its original position.



CARE AND CLEANING

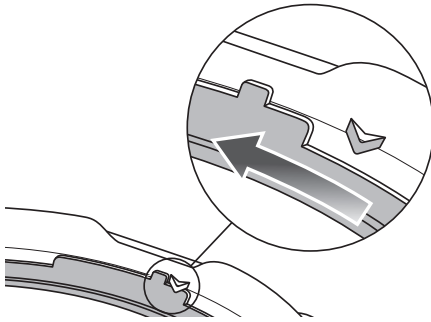
5. Disassemble lid.

- a) First, gently pull the silicone rubber gasket out from under the gasket holder. Check periodically that it is clean, flexible and not cracked or torn. If damaged do not use the appliance.

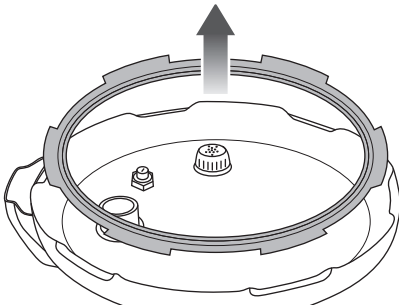
NOTE

Replace silicone rubber gasket every 1-2 years.

- b) To remove gasket holder, turn the holder so that the plastic tabs are not touching the lugs on the lid.



Remove the gasket holder by pulling straight up and out of the lid.



NOTE

There are 6 triangular metal cut out grips around the inside of the lid that keep the holder in place.

Wash gasket and holder in warm, soapy water. Rinse with clean water, dry thoroughly and place back in their original position.

NOTE

The silicone rubber gasket and holder can be washed in the top rack of a dishwasher.

NOTE

Can soak silicone rubber gasket in a mixture of baking soda and water to help eliminate odors before cleaning.

NOTE

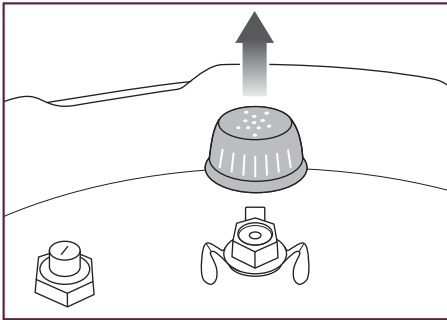
During cleaning of the lid, ensure Pressure Indicator Rod moves freely (up and down). Wash and clean any oil or food residue from this area.

NOTE

After cooking rice or large meals, some cooking liquid may pool under lid at the top of the appliance around the cooking bowl. This is normal. Use a paper towel or kitchen cloth to clean after every use. Use a small brush or cotton swab if necessary.

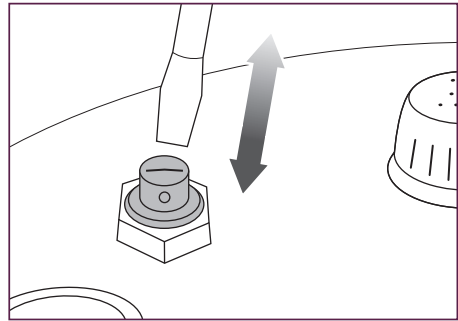
CARE AND CLEANING

- c) Wash the inside of the lid with a wet, soapy sponge or cloth. Use a brush to remove oil residue if necessary. Wipe dry with a clean, damp cloth.
- d) Regularly inspect that the Pressure Release Valve Cover is clean and free of liquid/food. Remove Pressure Release Valve Cover from the lid (by twisting and lifting up and off the lid) and wipe over with a soapy cloth and dry clean. Rinse well and replace by clipping back in place.



- e) The Pressure Safety Valve will need to be regularly checked and cleaned in order to avoid any clogging which could result in blocking the safety valve.

To clean the Pressure Safety Valve, push valve from inside the lid in and out with a long thin object (e.g. chopstick, screwdriver). Wash and clean any oil or food residue. Ensure the valve moves in and out smoothly after cleaning.



! IMPORTANT

All lid parts must be reassembled correctly to ensure safety as well as optimal performance of your Fast Slow Cooker.

! IMPORTANT

The silicone rubber gasket must always be properly positioned with the wide bottom into the underside of the lid, and the arrows pointing up. If the gasket is not assembled properly, the appliance will not operate. An alarm will sound and the error EO will be displayed on the LED display.

NOTE

A mixture of 1 tablespoon vanilla, ½ cup lemon juice, 1 tablespoon lemon rind plus 2 cups hot water, cook at HIGH pressure for 5 minutes. Leave to slow release pressure, then disassemble and wash as directed, can help eliminate food odors.

TROUBLESHOOTING

TROUBLESHOOTING

PROBLEM	EASY SOLUTION
E0 is displayed on LED Screen	<ul style="list-style-type: none"> a. Check that lid is closed properly. b. Check that the Pressure Release Valve is in the correct position. c. Make sure the silicone rubber gasket is attached properly to the gasket holder and is securely in place on the lid.
E1 is displayed on LED Screen	<ul style="list-style-type: none"> • Unplug unit and allow to sit for 20 minutes. If no change, Please call Breville Consumer Service.
E2 is displayed on LED Screen	<ul style="list-style-type: none"> • Ensure the cooking bowl is properly positioned inside base. The cooking bowl must be in direct contact with the heating plate. Make sure there are no unwanted materials on the heating plate.
E3 is displayed on LED Screen	<ul style="list-style-type: none"> • Ensure the lid is off the appliance or placed on top to rest in an offset position when you are using the SAUTÉ/SEAR setting.
The appliance automatically switches to Keep Warm without going through a complete cooking cycle	<ul style="list-style-type: none"> • Add more water to cooking bowl and restart the cooking cycle.
Air is escaping from the rim of the lid	<ul style="list-style-type: none"> a. Install sealing gasket correctly. b. Clean sealing gasket. c. Replace sealing gasket. d. Lock lid again.
Steam is released from the pressure indicator valve during cooking	<ul style="list-style-type: none"> a. Clean sealing gasket. b. Replace sealing gasket. c. Change silicone rubber gasket every 1-2 years.
The pressure indicator rod does not rise in PRESSURE COOK setting	<ul style="list-style-type: none"> a. Place Pressure release valve in the correct position. b. Place more food and water in the cooking bowl. c. Call Breville Consumer Service.
Lid is hard to open or cannot be opened	<ul style="list-style-type: none"> a. Check if the pressure indicator locking pin is in the upright position. If it isn't, push down with aid of a pencil or like item, jiggle the lid and disengage. This will allow the air to escape and the lid should open.

NOTES

NOTES

FÉLICITATIONS

pour l'achat de votre produit Breville

Inscrivez-vous en ligne pour le soutien technique et les offres exclusives.*

Consommateurs américains: www.brevilleusa.com

Consommateurs canadiens: www.breville.ca

*L'enregistrement n'est pas un substitut à la preuve d'achat lorsque vous soumettez une réclamation de garantie.

TABLE DES MATIÈRES

- 68** Breville vous recommande la sécurité avant tout
- 71** Faites la connaissance de votre produit Breville
- 74** Guide de démarrage rapide
- 76** Avant la première utilisation
- 81** Fonctionnement de votre produit Breville
 - 82** Guide du débutant pour faire sauter et saisir
 - 84** Guide du débutant pour cuire à pression
- 88** Guide pour cuire à pression & Conversion de recettes conventionnelles
- 94** Comment braiser
- 96** Comment rôtir
- 98** Recettes de cuisson à pression
- 111** Réglage de cuisson lente
- 114** Recettes de cuisson lente
- 116** Réglage de cuisson à la vapeur
- 118** Recettes de cuisson à la vapeur
- 122** Entretien et nettoyage
- 126** Guide de dépannage

Chez Breville, la sécurité occupe une place de choix. Nous concevons et fabriquons des produits destinés aux consommateurs sans jamais perdre de vue la sécurité de notre précieuse clientèle. De plus, nous vous demandons d'être très vigilant lorsque vous utilisez un appareil électrique et de respecter les mesures de sécurité suivantes:



IMPORTANTES MESURES DE SÉCURITÉ

LISEZ TOUTES LES INSTRUCTIONS AVANT L'USAGE ET CONSERVEZ-LES POUR RÉFÉRENCE FUTURE

- Retirez et disposez de tout matériel d'emballage ou étiquettes promotionnelles avant d'utiliser votre appareil pour la première fois.
- Pour éliminer les risques de suffocation chez les jeunes enfants, retirez et jetez l'enveloppe protectrice recouvrant la fiche de l'appareil.
- N'immergez pas le boîtier de l'appareil, le cordon d'alimentation ou la fiche dans l'eau ou tout autre liquide.
- Insérez toujours le connecteur du cordon dans la sortie de l'appareil avant de le brancher dans une prise électrique et de mettre l'appareil en marche. Assurez-vous que la sortie électrique de l'appareil est complètement sèche avant d'y insérer l'extrémité du connecteur.
- Cet appareil cuit sous pression. Une utilisation inadéquate peut causer des blessures. Pour utiliser toutes les fonctions sauf 'sauter', vérifiez que le couvercle est bien assemblé et verrouillé avant de débiter.
- Ne placez pas l'appareil sur le bord d'un comptoir ou d'une table durant le fonctionnement. Assurez-vous que la surface de travail est de niveau, propre, sèche et sans autres substances.
- Ne faites pas fonctionner l'appareil sur le plateau d'égouttement d'un lavabo.
- Ne déplacez pas l'appareil lorsqu'il fonctionne.
- Ne mettez pas l'appareil sur ou près d'un élément chauffant au gaz ou électrique et ne permettez pas qu'il touche un four chaud. Placez-le à une distance d'au moins 20cm (8po) des murs et laissez assez d'espace tout autour pour permettre une bonne circulation d'air.
- Gardez l'appareil loin des murs, rideaux ou autres matériaux sensibles à la chaleur et/ou la vapeur.
- Ne touchez pas les surfaces chaudes de l'appareil. Utilisez les poignées latérales et celle du couvercle. Utilisez le bouton pour libérer la pression de vapeur.
- Assurez-vous que l'appareil est correctement assemblé avant de l'utiliser. Suivez les instructions fournies dans ce livret.
- Avant de placer la cuve de cuisson amovible dans le boîtier en acier inoxydable, asséchez le dessous de la cuve et de l'appareil avec un chiffon doux et sec.
- Ne mettez pas d'aliments ou de liquide directement dans le boîtier en acier inoxydable. Seule la cuve de cuisson est conçue pour recevoir les aliments ou le liquide.
- Ne faites jamais fonctionner l'appareil sans aliments ou liquide dans la cuve amovible. Assurez-vous que les aliments et le liquide dans la cuve ne sont pas sous la marque de niveau '2' ou au-dessus de la marque de niveau '10' avant de mettre l'appareil en marche. Respectez toujours les quantités maximales et minimales de liquide stipulées dans les instructions et les recettes.
- N'excédez pas le niveau maximum prévu. Certains aliments comme le riz, les légumineuses et les grains, gonflent durant la cuisson à pression. Pour ce genre d'aliments, ne remplissez pas la cuve au-delà de la marque 8.

BREVILLE VOUS RECOMMANDE LA SÉCURITÉ AVANT TOUT

Un remplissage excessif peut risquer de bloquer la soupape de décharge et celle de l'indicateur de pression et ainsi causer une pression indue.

- N'utilisez pas la cuve de cuisson si elle est endommagée. Remplacez-la avant l'utilisation.
- Assurez-vous que le couvercle est bien fermé avant l'usage (voir l'étape 4 en page 85).
- N'utilisez pas l'appareil à d'autres fins que celles prévues et ne tentez pas de le faire fonctionner d'autres façons que celles décrites dans ce livret.
- Certains aliments sont à éviter pour la cuisson à pression: compote de pommes, canneberges, orge perlé, avoine et autres céréales, pâtes alimentaires et rhubarbe. Ces aliments produisent une écume et des éclaboussures qui peuvent bloquer la soupape de décharge et celle de l'indicateur de pression.
- La cuve amovible peut être très lourde lorsqu'elle est remplie d'ingrédients. Faites preuve de prudence lorsque vous la soulevez du boîtier.
- Vérifiez toujours que la soupape de décharge et celle de l'indicateur de pression ne sont pas bloquées avant l'usage et nettoyez-les, si nécessaire. Assurez-vous que l'aiguille de l'indicateur de pression bouge librement sous le couvercle.
- Soyez extrêmement prudent lorsque l'appareil contient des aliments ou des liquides chauds et/ou est sous pression. Une mauvaise utilisation peut causer des blessures. Pour utiliser toutes les fonctions de l'appareil sauf 'sauter', assurez-vous que le couvercle est correctement verrouillé avant de débiter.
- Ne vous servez pas de la poignée du couvercle pour transporter l'appareil durant ou après l'usage.
- À la fin de la cuisson à pression, ne soulevez pas le couvercle avant que toute la pression interne ait été libérée et que le couvercle soit légèrement refroidi.

Si le couvercle ne peut se déverrouiller, cela indique que l'appareil est encore sous pression - Pour ce genre d'aliments, ne forcez pas le couvercle. Toute pression résiduelle peut être dangereuse. Consultez les instructions pour "libérer la pression" contenues dans ce livret (voir étapes 10-12 en page 86).

- Assurez-vous que la cuve amovible a suffisamment refroidi avant de la manipuler et utilisez des gants de cuisine en guise de précaution.
- Cet appareil n'est pas conçu pour être utilisé par voie de minuterie externe ou de commande à distance.
- Ne mettez rien d'autre que le couvercle sur le dessus de l'appareil lorsqu'il est assemblé, en usage ou rangé.
- N'ajustez pas la soupape de décharge/régulatrice de pression durant l'usage.
- Utilisez seulement le bouton de décharge pour dépressuriser l'autocuiseur après usage. (voir étapes 10-12 en page 86)
- N'utilisez pas l'appareil pour la grande friture.
- Ne faites pas sauter ou dorer les aliments sous la pression.
- Assurez-vous qu'il y a suffisamment de liquide dans la cuve de cuisson amovible. Au moins 1 litre (4 tasses) de liquide et aliments combinés est requis pour la cuisson à pression. Pour cuire à la vapeur, un minimum de 1 litre (4 tasses) de liquide doit être utilisé.
- Assurez-vous d'avoir éteint l'appareil en enfonçant la touche START/CANCEL, (marche/arrêt) puis débranchez-le de la prise murale avant de le déplacer, lorsqu'il n'est pas utilisé ou avant de le nettoyer ou le ranger.
- Pour vous protéger contre les chocs électriques, n'immergez pas le boîtier de l'appareil, le cordon d'alimentation ou la fiche dans l'eau et ne laissez pas l'humidité entrer en contact avec ces pièces.
- Gardez l'appareil propre. Suivez les instructions de nettoyage contenues dans ce livret. (voir en page 122).

IMPORTANTES MESURES DE SÉCURITÉ POUR TOUT APPAREIL ÉLECTRIQUE

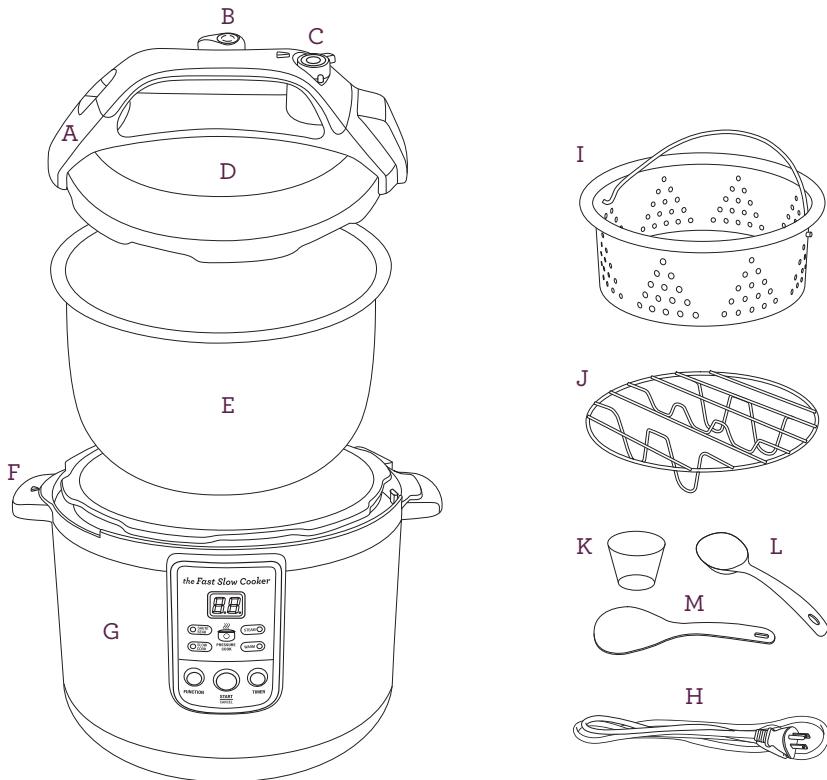
- Déroulez complètement le cordon d'alimentation avant l'usage.
- Ne laissez pas le cordon d'alimentation pendre d'un comptoir ou d'une table, toucher des surfaces chaudes ou se nouer.
- Pour vous protéger contre les chocs électriques, n'immergez pas le cordon d'alimentation, la fiche ou l'appareil dans l'eau ou tout autre liquide.
- L'appareil n'est pas destiné à être utilisé par des personnes (incluant les enfants) avec facultés physiques, sensorielles ou mentales réduites, ou ne possédant pas les connaissances ou l'expérience requises pour utiliser l'appareil, à moins d'avoir été préparées et supervisées par une personne responsable de leur sécurité.
- Surveillez les enfants pour qu'ils ne jouent pas avec l'appareil.
- Il est recommandé de vérifier régulièrement l'appareil. Ne l'utilisez pas si le cordon d'alimentation, la fiche ou l'appareil sont endommagés de quelque façon que ce soit. Cessez immédiatement l'utilisation et appelez le Service aux consommateurs de Breville pour fins d'examen, de réparation ou d'ajustement.
- Pour tout entretien autre que le nettoyage, visitez www.Breville.com ou appelez le Service aux consommateurs de Breville.
- Cet appareil est conçu pour un usage domestique seulement. Ne l'utilisez d'aucune autre façon que celles prévues. Ne l'utilisez pas dans un véhicule ou un bateau en mouvement ni à l'extérieur. Une mauvaise utilisation peut causer des blessures.
- L'installation d'un dispositif de courant résiduel (interrupteur de sécurité) est recommandée pour assurer une sécurité supplémentaire lors de l'utilisation d'un appareil électrique. Il est conseillé d'installer un interrupteur de sécurité avec courant résiduel de fonctionnement nominal d'au plus 30 mA sur le circuit électrique qui alimente l'appareil. Consultez un électricien pour des conseils professionnels.

USAGE DOMESTIQUE SEULEMENT CONSERVEZ CES INSTRUCTIONS

FAITES LA CONNAISSANCE

de votre produit Breville

FAITES LA CONNAISSANCE DE VOTRE PRODUIT BREVILLE



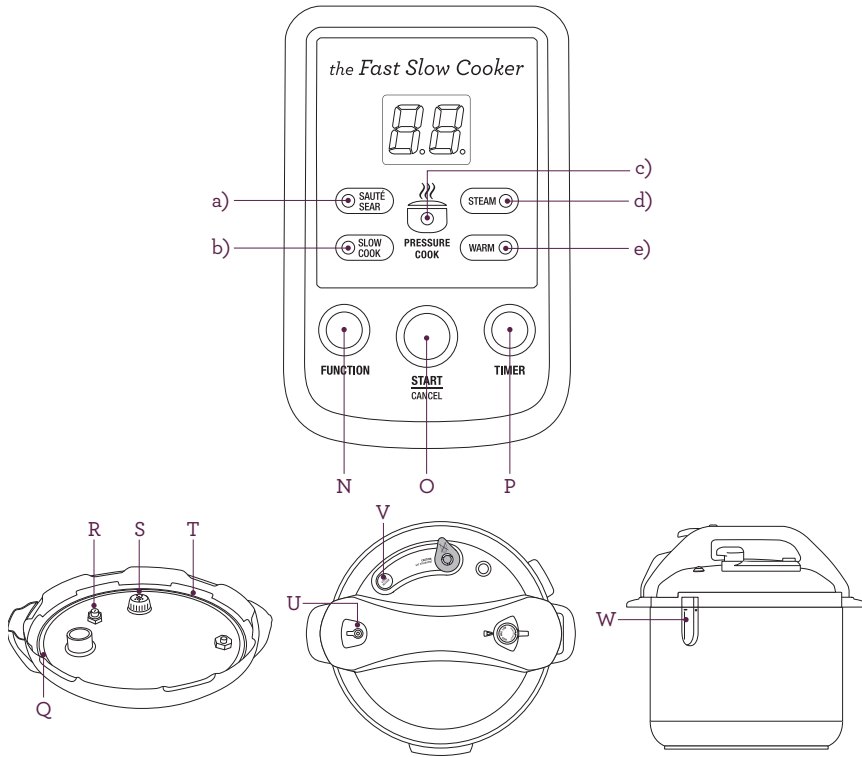
- A. Poignée du couvercle**
- B. Soupape de décharge/régulatrice de pression**
Contrôle la décharge de vapeur par les événements et, subséquemment, le degré de pression à l'intérieur du couvercle.
- C. Cadran de contrôle ajustable de la pression**
Choisir Low, Medium ou High (basse, moyenne ou élevée)
- D. Couvercle de sécurité verrouillable**
Ne peut être ouvert durant la cuisson à pression. Ne va pas au lave-vaisselle.
- E. Cuve de cuisson antiadhésive amovible de 6 litres**
Va au lave-vaisselle.

- F. Poignées calorifuges**
- G. Boîtier & couvercle en acier inoxydable brossé**
- H. Cordon d'alimentation amovible**
Pour service à table et rangement facile

Accessoires

- I. Panier vapeur en acier inoxydable**
Va au lave-vaisselle.
- J. Grille de rôtissage en acier inoxydable**
Soulève les aliments hors du liquide pour rôtir, cuire à vapeur ou à pression ou pour cuisson lente.
- K. Godet à riz**
- L. Cuillère de service**
- M. Spatule résistante à la chaleur**

FAITES LA CONNAISSANCE DE VOTRE PRODUIT BREVILLE



Panneau de commande

N. Touche FUNCTION (Fonctions)

Pressez pour choisir la méthode de cuisson désirée.

Sélection de réglages

- a) Voyant SAUTÉ/SEAR (Sauter/saisir)
Saisir et rissoler les viandes et faire sauter les oignons et l'ail avant la cuisson lente ou à pression.
- b) Voyant SLOW COOK (Cuisson lente) Choix de 6 ou 8 heures
- c) Voyant PRESSURE COOK (Cuisson à pression)
- d) Voyant STEAM (Cuisson à vapeur)
- e) Voyant WARM (Maintien au chaud)
Automatique ou manuel

O. Touche START/CANCEL (marche/arrêt)

P. Touche TIMER (minuterie)

Règle le temps de cuisson

Q. Joint d'étanchéité en caoutchouc silicone

Va au lave-vaisselle

R. Soupape de sécurité

S. Capuchon de la soupape de décharge

T. Support du joint d'étanchéité

U. Indicateur de pression

L'aiguille de soulève lorsque la pression est atteinte, agissant comme dispositif de verrouillage de sécurité.

V. Bouton de décharge de vapeur

Pressez le bouton à répétition jusqu'à ce que l'aiguille de l'indicateur de pression redescende. Le couvercle peut alors être ouvert.

W. Récupérateur de condensation

Va au lave-vaisselle.

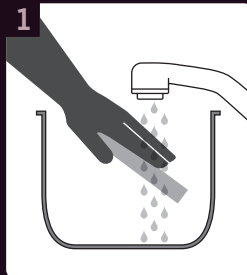
Guide de démarrage rapide

Ce guide est conçu pour la première utilisation seulement.
Pour plus d'information et de sécurité, voir le livret d'instructions.

A

Avant la première utilisation

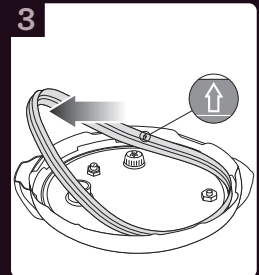
Préparation de l'autocuiseur/mijoteuse



Retirer le couvercle. Laver la cuve de cuisson antiadhésive.



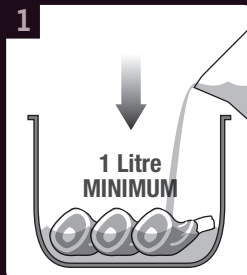
Laver le joint d'étanchéité en caoutchouc silicone.



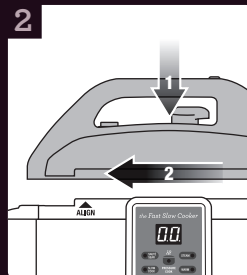
Remettre le joint d'étanchéité dans le support du joint en orientant les flèches vers le haut.

B

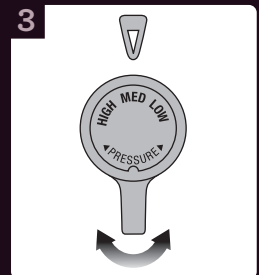
Comment cuire à pression



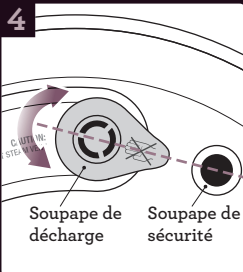
Mettre les aliments dans la cuve amovible avec au moins 1 litre de liquide et aliments combinés.



Fermer et verrouiller le couvercle en le tournant en sens horaire et en alignant les flèches.



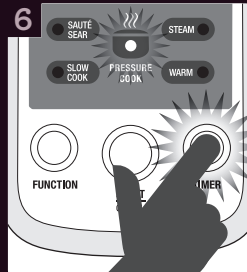
Choisir le réglage de pression à l'aide du cadran de contrôle sur la poignée (basse, moyenne ou élevée)



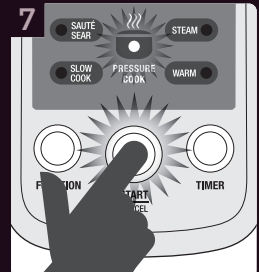
S'assurer que la soupape de décharge/régulatrice de pression est en position 'Pressure'.



Presser la touche **FUNCTION** jusqu'à ce que l'indicateur de pression clignote.



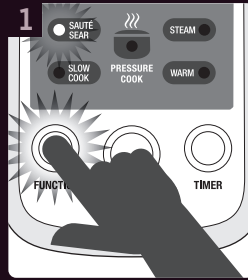
Presser la touche **TIMER** - sélectionner de 02 à 99 minutes.



Presser la touche **START/CANCEL** pour activer la cuisson à pression - l'indicateur cessera de clignoter.

C

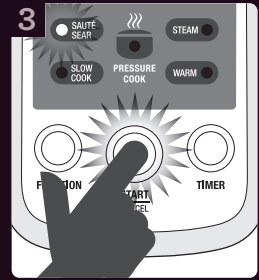
Comment saisir



Presser la touche **FUNCTION** jusqu'à ce que l'indicateur **SAUTE/SEAR** clignote.



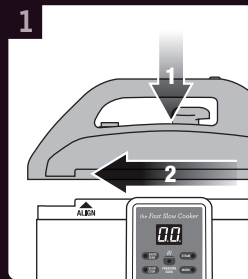
Presser la touche **TIMER** - sélectionner de 02 à 99 minutes.



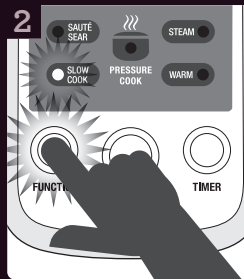
Presser la touche **START/CANCEL** pour débiter la cuisson - l'indicateur clignotera.

D

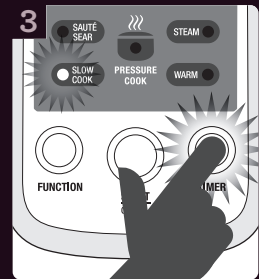
Comment cuire lentement



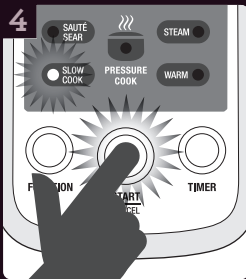
Fermer et verrouiller le couvercle en le tournant en sens horaire et en alignant les flèches.



Presser la touche **FUNCTION** jusqu'à ce que l'indicateur **SLOW COOK** (cuisson lente) clignote.



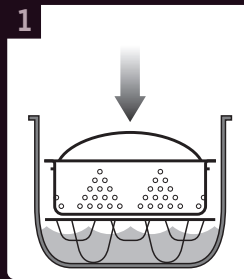
Presser la touche **TIMER** et sélectionner 6 ou 8 heures.



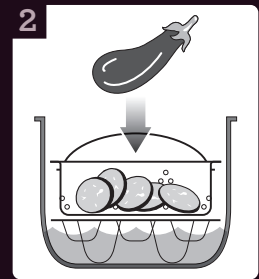
Presser la touche **START/CANCEL** pour commencer la cuisson lente - l'indicateur cessera de clignoter.

E

Comment cuire à la vapeur



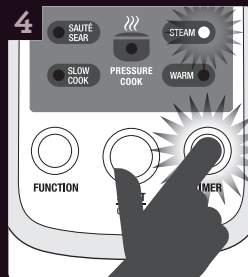
Placer le panier vapeur sur la grille et mettre le tout dans la cuve de cuisson.



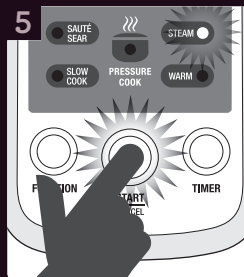
Répéter 1 à 3 de 'Comment cuire à pression'. Mettre les aliments dans le panier. Minimum 1 litre de liquide.



Presser la touche **FUNCTION** jusqu'à ce que l'indicateur **STEAM** (vapeur).



Presser la touche **TIMER** - sélectionner de 02 à 99 minutes.



Presser la touche **START/CANCEL** pour débiter la cuisson vapeur - l'indicateur cessera de clignoter.



Voir le livret d'instructions ou contacter le Service aux consommateurs de Breville.

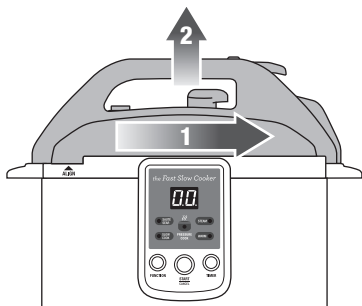
AVANT LA PREMIÈRE UTILISATION

de votre produit Breville

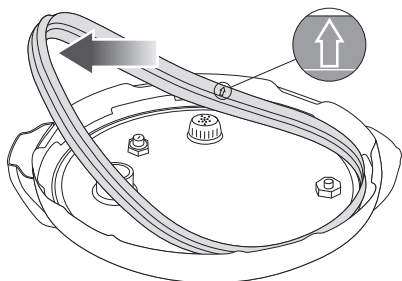
AVANT LA PREMIÈRE UTILISATION

PRÉPARER L'AUTOUISEUR/MIJOTEUSE POUR UTILISATION

1. Avant la première utilisation, retirez tout matériel d'emballage et étiquettes promotionnelles.
2. Retirez le couvercle en le tenant par les poignées, tournez-le en sens antihoraire et soulevez-le hors de l'appareil.



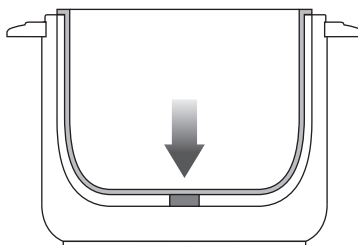
3. Lavez la cuve de cuisson amovible, le couvercle en acier inoxydable et le joint en caoutchouc silicone dans l'eau très chaude et savonneuse, rincez et séchez correctement. Essuyez l'intérieur et l'extérieur du boîtier en acier inoxydable avec un chiffon doux et humide, et séchez soigneusement.
4. Insérez le joint en caoutchouc silicone bien nettoyé dans le support du joint, en vous guidant avec les flèches. Assurez-vous qu'elles sont orientées vers le haut lorsque vous insérez le joint dans le couvercle.



ATTENTION

Si le joint en caoutchouc silicone n'est pas bien fixé dans le support du joint, le couvercle ne se fermera pas et cela causera un mauvais fonctionnement de l'appareil, l'empêchant de fonctionner.

5. Nettoyez et séchez le dessous de la cuve amovible et le capteur de température pour s'assurer qu'aucun déchet n'obstrue la surface. La cuve amovible doit reposer à plat sur le capteur de température pour assurer un bon contact.



AVANT LA PREMIÈRE UTILISATION

À FAIRE

- Faites toujours décongeler la viande et la volaille avant la cuisson.
- Utilisez des gants de cuisine bien secs lorsque vous soulevez la cuve après la cuisson.
- Rangez toujours l'appareil dans un endroit frais et sec.

À NE PAS FAIRE

- N'utilisez aucune fonction sans que la cuve amovible soit en place.
- Ne pas cuire de viande ou de volaille congelée.
- Ne retirez pas inutilement le couvercle en acier inoxydable lorsque vous utilisez le réglage pour cuisson lente, car cela entraînerait une perte importante de chaleur.
- Ne mettez pas d'eau ou tout autre liquide dans le boîtier en acier inoxydable de l'appareil.
- N'immergez pas le boîtier, le cordon ou la fiche de l'appareil dans l'eau ou tout autre liquide.
- Ne touchez pas les surfaces chaudes avec vos mains nues.
- Ne faites pas de friture dans l'appareil.
- Pour éviter l'accumulation d'odeurs et de moisissure, ne rangez jamais l'appareil avec le couvercle verrouillé. Suivez les consignes d'entretien et de nettoyage à la page 122. Rangez l'appareil avec le couvercle reposant à l'envers sur la cuve de cuisson, dans un endroit bien ventilé.

TRUCS & ASTUCES AVANT LA CUISSON LENTE OU À PRESSION

PRÉPARER LA VIANDE ET LA VOLAILLE

Choisissez des coupes de viande propices à la cuisson à pression, selon le tableau ci-dessous. La cuisson à pression permet de cuire plus rapidement des coupes de viande moins tendres et obtenir des résultats plus juteux.

Une viande cuite avec l'os enrichira la saveur du plat.

Pour de meilleurs résultats, parez l'excès de gras visible ou de peau qui, autrement, se traduirait par un surplus de liquide au fur et à mesure de la cuisson.

Pour les recettes de pots au feu, coupez la viande en cubes d'environ 3-5 cm.

Coupes de viande propices à la cuisson lente ou à la cuisson à pression

BOEUF & VEAU	AGNEAU	PORC	POULET
Épaule de boeuf, hampe, bifteck de ronde, jarret désossé (sauce), joue avec os (Osso bucco), cubes de talon de ronde, steaks et tranches d'épaule/quartier avant, tranche de collier, jarret centre (Osso bucco)	Jarrets, souris, tranche de collier, rôti d'épaule/ de quartier avant désossé.	Cubes de talon de ronde, steaks et tranches d'épaule, collier, jarret center (Osso bucco).	Pilons et cuisses avec os et filet.

PRÉPARER LES LÉGUMES

Les légumes doivent être coupés en morceaux de même format pour assurer une cuisson uniforme.

Lors de la préparation des légumes pour la cuisson à pression, utilisez toujours des légumes frais et non surgelés.

Si vous n'avez que des légumes surgelés, dégelez-les avant de les cuire à pression. Utilisez le réglage de pression LOW (basse) pour un minimum de temps.

Pour de meilleurs résultats, pelez les légumes uniquement si nécessaire. Les légumes durs comme les betteraves ou les pommes de terre garderont mieux leur forme s'ils ne sont pas pelés.

PRÉPARER LES LÉGUMINEUSES (HARICOTS ET POIS)

Les légumineuses peuvent être cuites sans trempage préalable.

Pour réduire le temps de cuisson à pression, faites tremper les légumineuses séchées dans l'eau bouillante durant 3 heures ou toute la nuit.

Lavez et égouttez toujours les légumineuses avant la cuisson. Retirez les légumineuses décolorées.

Pour de meilleurs résultats, placez les légumineuses dans la cuve de cuisson et ajoutez assez d'eau ou de bouillon pour excéder d'au moins 5 cm (2 po) le niveau des aliments.

Les oignons, l'ail et les feuilles de laurier peuvent être ajoutés pour aromatiser les légumineuses.

Évitez d'ajouter du sel avant la cuisson, car cela fera durcir la peau des fèves et des pois et entravera la cuisson.

Une fois que les légumineuses seront cuites, égouttez-les pour enlever l'excès de liquide, rincez légèrement et utilisez dans vos recettes.

IMPORTANT

- *Les légumineuses plus tendres, comme les haricots mungo, les fèves de lima et les haricots jaunes cuisent mieux en utilisant une pression **BASSE** ou **MOYENNE**.*
- *Lors de la **CUISSON À PRESSION** ou de la **CUISSON LENTE**, il se peut que les jus de cuisson accumulés doivent être évaporés et concentrés. Nous vous suggérons d'utiliser le réglage **SAUTE/SEAR** (sauter/saisir) environ 5–10 min, selon la quantité de liquide à être réduite.*

FONCTIONNEMENT

de votre produit Breville

GUIDE DU DÉBUTANT POUR FAIRE SAUTER ET SAISIR

FAIRE SAUTER ET SAISIR AVANT LA CUISSON LENTE OU À PRESSION

Faire sauter et saisir les aliments dans l'autocuiseur prendra un peu plus de temps mais, bien que ce ne soit pas obligatoire, les résultats seront appréciables.

Le réglage pour faire sauter et saisir (SAUTÉ/SEAR) garde la température égale et permet de rissoler les viandes et caraméliser les légumes, pour sceller l'humidité, attendrir les viandes et intensifier les saveurs.

Trucs et astuces

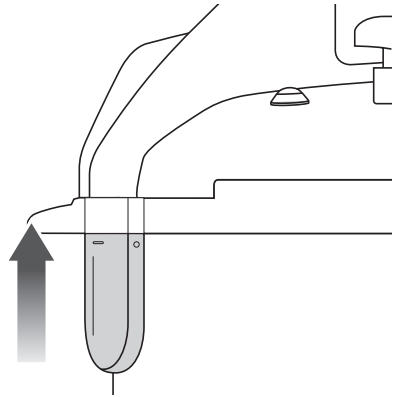
- Enlevez le gras visible de la viande ou de la volaille.
- Si la recette exige de faire rissoler la viande, vous pouvez le faire au réglage SAUTÉ/SEAR.
- Si un surplus de liquide persiste après avoir rissolé la viande, retirez le couvercle et faites fonctionner l'autocuiseur au réglage SAUTÉ/SEAR environ 10-15 minutes ou jusqu'à ce que le liquide soit réduit à la quantité désirée.

Comment faire sauter et saisir

1. Débranchez l'appareil, insérez le connecteur dans la prise de l'appareil et rebranchez dans une prise électrique de 110/120V. Un bip se fera entendre une fois et 0:0 sera affiché sur l'écran DEL.



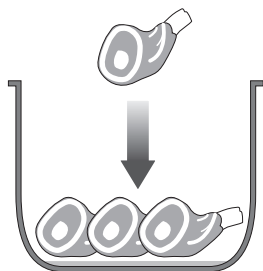
2. Fixez le récupérateur de condensation en place.



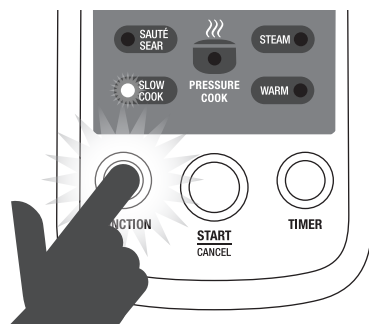
3. Assurez-vous que le couvercle est retiré de l'appareil avant de faire sauter ou saisir les aliments.
4. Pressez la touche **FUNCTION** jusqu'à ce que le voyant lumineux SAUTÉ/SEAR clignote en rouge.
5. Pressez la touche **TIMER** pour faire défiler les minutes de 02 à un maximum de 99. Pour un défilement plus rapide, pressez et tenez la touche **TIMER** enfoncée jusqu'à ce que le temps désiré apparaisse.
6. Lorsque le temps de cuisson désiré sera affiché, pressez la touche **START/CANCEL**. Le voyant SAUTÉ/SEAR cessera de clignoter et restera illuminé en rouge. Le compte à rebours commencera. Laissez l'appareil préchauffer sans couvercle environ 2-3 minutes avant la cuisson.
7. Ajoutez un peu de beurre ou d'huile dans la cuve de cuisson amovible.

GUIDE DU DÉBUTANT POUR FAIRE SAUTER ET SAISIR

8. Mettez les aliments à faire sauter/saisir dans la cuve de cuisson. Selon la quantité d'aliments à saisir, il se peut que vous deviez les diviser en portions.



9. Après avoir fait sauter ou saisi les aliments, sélectionnez **PRESSURE COOK** ou **SLOW COOK** (Cuisson à pression ou cuisson lente) en pressant la touche **FUNCTION**. (Consultez les sections se référant à la cuisson à pression, pages 84-98 et à la cuisson lente, pages 111-113.



IMPORTANT

- La fonction **SAUTÉ/SEAR** ne fonctionnera pas si le couvercle est scellé et verrouillé en place. Une alarme se fera entendre et le code d'erreur "E3" sera affiché sur l'écran DEL pour signaler le besoin de déverrouiller ou retirer le couvercle.
- Incorporez les aliments dans la cuve de cuisson amovible à l'aide de la spatule résistante à la chaleur fournie.
- N'utilisez pas d'ustensiles de métal, car ils égratigneront le revêtement antiadhésif de la cuve de cuisson amovible.
- Ne chauffez pas la cuve de cuisson amovible quand elle est vide pour plus de 10 minutes, car la surface de cuisson peut s'endommager.
- Soyez prudent lorsque vous faites sauter ou saisir des aliments dans l'huile chaude. Gardez les mains et la figure loin de la cuve de cuisson, en particulier lors de l'ajout d'autres ingrédients, car l'huile chaude peut éclabousser.

GUIDE DU DÉBUTANT POUR CUIRE À PRESSION

GUIDE DU DÉBUTANT POUR CUIRE À PRESSION

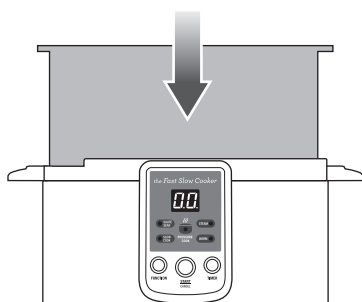
Les autocuiseurs représentent la solution idéale pour cuire de succulents rôtis, des plats en cocotte savoureux, de délicieuses soupes et même des desserts en une fraction de temps et d'énergie requis pour les méthodes traditionnelles.

La cuisson à pression est une méthode de cuisson nécessitant peu de liquide, car le couvercle scellé avec joint d'étanchéité garde la vapeur à l'intérieur et crée une pression. L'augmentation de la pression élève la température du liquide et de la vapeur à l'intérieur bien au-dessus du point d'ébullition et permet ainsi aux aliments de cuire jusqu'à 70% plus rapidement.

Cela consomme moins d'énergie et vous permet de profiter d'une économie substantielle de coûts et de temps. Comme la cuisson à pression requiert très peu de liquide, les vitamines, minéraux et autres nutriments sont conservés et les saveurs naturelles sont accentuées.

Comment cuire à pression

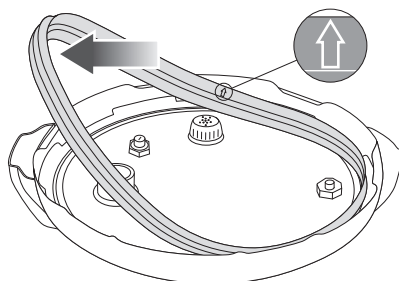
1. Placez la cuve de cuisson amovible dans le boîtier en acier inoxydable.



2. Fixez le joint en caoutchouc silicone dans le support du joint, en utilisant les flèches comme guide. Assurez-vous que les flèches sont orientées vers le haut lorsque vous insérez le joint dans le couvercle.

NOTE

Fixez le joint d'étanchéité en caoutchouc silicone dans le couvercle, s'il n'est pas déjà en place.

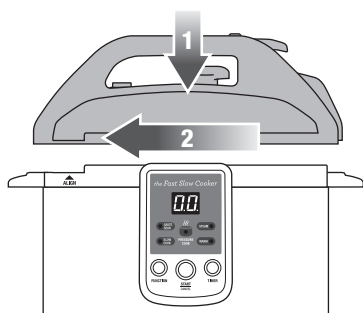


3. Ajoutez les ingrédients à cuire et un minimum de 4 tasses (1 litre) de liquide dans la cuve de cuisson amovible.

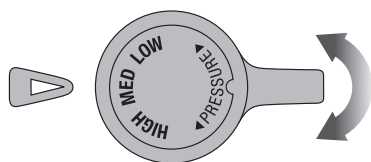


GUIDE DU DÉBUTANT POUR CUIRE À PRESSION

4. Fermez et verrouillez le couvercle en utilisant la poignée. Tournez-le en sens horaire en alignant les flèches "ALIGN". La flèche du couvercle doit être alignée à celle du boîtier jusqu'à ce que le couvercle se verrouille et soit en position fermée (CLOSE). Cela doit se faire sans effort.



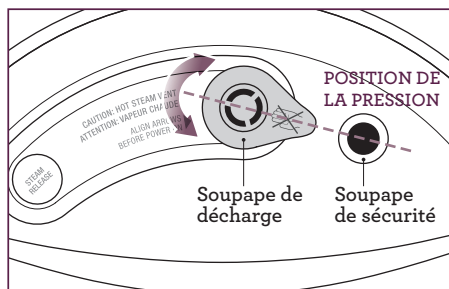
5. Sélectionnez un des réglages suivant sur le cadran de contrôle de la pression situé sur la poignée:
 - Low (basse pression)
 - Medium (pression moyenne)
 - High (pression élevée)



NOTE

Consultez le guide de cuisson à pression en pages 88-93 et les recettes en pages 98-110.

6. Assurez-vous que la soupape de décharge/régulatrice de pression est tournée à la position PRESSURE. Pour une bonne position de la PRESSURE, alignez la soupape de décharge sur la ligne pointillée qui traverse la soupape de sécurité. Voir l'illustration ci-dessous.



L'illustration ci-haut démontre la bonne position de la soupape de décharge.

Il pourrait être nécessaire d'ajuster la soupape de décharge pour qu'elle soit à la bonne position.

Note: Les flèches doivent être alignées.

7. Pressez la touche **FUNCTION** jusqu'à ce que le voyant **PRESSURE COOK** (cuisson à pression) clignote en rouge.

GUIDE DU DÉBUTANT POUR CUIRE À PRESSION

8. Pour régler la minuterie, pressez la touche TIMER pour augmenter le temps de cuisson. Il s'éclairera sur l'écran DEL, de 02 à un maximum de 99 minutes maximum. Pour un défilement plus rapide, pressez et tenez enfoncée la touche TIMER. Lorsque le temps désiré sera affiché, pressez la touche START/CANCEL.

Le voyant de fonctions cessera de clignoter et restera éclairé en rouge. Le préchauffage commencera et le panneau de commande continuera d'afficher le temps de cuisson sélectionné. Quand le réglage de pression sélectionnée sera atteint, la soupape de décharge/régulatrice de pression fera entendre un léger sifflement. Après environ 10 minutes ou plus, selon la quantité de liquide ajoutée dans la cuve de cuisson, le compte à rebours du temps de cuisson sélectionné commencera par tranches d'une minute et sera affiché sur l'écran DEL.

9. Lorsque l'écran DEL affichera "0", la cuisson sera terminée et l'appareil bipera 5 fois.



10. Pour libérer la pression de la soupape de décharge/régulatrice de pression, pressez le bouton de décharge de vapeur jusqu'à ce que les premiers jets de vapeur s'en soient échappés. Vous pourrez alors presser le bouton de décharge de vapeur ou tourner la soupape de décharge jusqu'à ce que toute la vapeur s'en échappe et que l'aiguille de l'indicateur de pression soit retombée.
11. Attendez 1 minute après avoir libéré la pression pour déverrouiller et retirer le couvercle.
12. Pour ouvrir le couvercle, tournez la poignée dans le sens antihoraire jusqu'à ce que les flèches "ALIGN" sont alignées en position ouverte (OPEN). Cela devrait se faire sans effort.
13. Vérifiez si les aliments ont été cuits suffisamment. Sinon, remplacez le couvercle, verrouillez-le et reprenez les étapes précédentes.

IMPORTANT

- *Il peut prendre de 30 secondes à 20 minutes pour atteindre la pression désirée, selon le type d'aliments et la quantité à cuire. Pour accélérer le tout, utilisez de l'eau bouillante et non de l'eau froide.*
- *Ne remplissez pas la cuve de cuisson au-delà de la marque MAX sur la paroi interne de la cuve de cuisson.*
- *N'excédez pas la marque 8 sur la paroi interne de la cuve de cuisson lorsque vous cuisez à la pression des aliments qui gonflent, comme le riz, les haricots séchés, les grains et les légumineuses.*
- *La quantité minimale de liquide et aliments combinés à ajouter à la cuve de cuisson pour les recettes de cuisson à pression en moins de 10 minutes, est de 1 litre (4 tasses). Une quantité inférieure pourrait causer une chauffe à sec et l'appareil ne fonctionnerait pas. Du liquide additionnel peut être ajouté durant la cuisson.*
- *Ne faites jamais fonctionner l'appareil quand il est vide. Ne pas cuire si le contenu des aliments est inférieur à 1 litre de liquide et aliments combinés.*
- *N'utilisez jamais d'huile ou de lait comme liquide de cuisson, comme pour la grande friture ou les crèmes anglaises. Utilisez uniquement des liquides chauds/bouillants, en particulier après avoir fait sauter des aliments, pour éviter d'endommager la cuve de cuisson amovible. L'ajout de liquides chauds réduit le temps nécessaire pour atteindre la pression.*

- *Gardez la figure et les mains loin de la soupape de décharge lorsque l'appareil fonctionne en mode de cuisson à pression. La vapeur et l'eau chaude peuvent s'en échapper durant l'utilisation.*
- *Lors de la cuisson à pression, le couvercle de l'appareil ne peut être ouvert. Ne tentez pas de l'ouvrir de force.*
- *Après avoir préparé des soupes et des bouillons, attendez plusieurs minutes avant de libérer la pression et de retirer le couvercle, pour éviter que le liquide chaud à l'intérieur de la cuve ne déborde.*

ATTENTION

Soyez prudent lorsque vous ouvrez le couvercle, car la vapeur s'en échappera dès qu'il sera ouvert. Ne mettez jamais la figure ou les mains au-dessus de l'appareil lorsque vous retirez le couvercle. Utilisez toujours des gants de cuisine pour manipuler la cuve de cuisson chaude.

GUIDE POUR CUIRE À PRESSION & CONVERSION DE RECETTES CONVENTIONNELLES

pour votre produit Breville

GUIDE POUR CUIRE À PRESSION

Vos recettes traditionnelles préférées peuvent s'adapter facilement au réglage de cuisson à pression (PRESSURE COOK). Le tableau ci-dessous est un guide comparatif entre la cuisson à pression et la cuisson conventionnelle.

Si vous préparez des recettes conventionnelles qui ne sont pas incluses dans notre section de recettes, nous vous recommandons de réduire le temps de cuisson de 70%.

NOTE

Le temps de cuisson peut varier pour chaque recette, selon la nature et la quantité d'ingrédients. Si les aliments ne sont pas assez cuits, fermez et verrouillez le couvercle, pressez la touche **FUNCTION** jusqu'à ce que le voyant **PRESSURE COOK** (Cuisson à pression) clignote en rouge. Réglez la minuterie en conséquence et pressez la touche **START/CANCEL** pour réactiver la pression. Faites cuire pour le temps requis.

VIANDE, VOLAILLE ET FRUITS DE MER	RÉGLAGE DE PRESSION	TEMPS DE CUISSON À PRESSION	TEMPS DE CUISSON CONVENTIONNELLE
AGNEAU Jarrets 4x12-13 cm de long Cubes de 2 cm (1")	HIGH (élevée) HIGH (élevée)	30-35 minutes 10-12 minutes	2 heures 1½-2 heures
BOEUF/GIBIER Rôti de côtes (1,2 kg) Lapin, morceaux (1 kg)	HIGH (élevée) puis LOW (basse) HIGH (élevée)	13-15 minutes 25-30 minutes	2 heures 1 ½ heures
PORC Côtes levées (1,2 kg)	HIGH (élevée)	15 minutes	45 minutes
VOLAILLE Filets de poitrine (4 moitiés) Cuisses (8) Poulet entier (1,2 kg)	MEDIUM (moyenne) MEDIUM (moyenne) MEDIUM (moyenne)	2-4 minutes 10-15 minutes 15-20 minutes	15-20 minutes 30-35 minutes 1 heure
POISSON/FRUITS DE MER Crevettes (1 kg) Moules, grosses (1 kg)	LOW (basse) LOW (basse)	2-3 minutes 4 minutes	5 minutes 6 minutes

NOTE

Pour éviter de trop cuire le poisson ou les fruits de mer en utilisant la fonction **PRESSURE COOK** (cuisson à pression), il est opportun de libérer la vapeur et de retirer le couvercle pour arrêter immédiatement la cuisson. Retirez le poisson ou les fruits de mer et servez.

GUIDE POUR CUIRE À PRESSION

CUISSON À PRESSION DU RIZ

Lavez bien le riz jusqu'à ce que l'eau en sorte claire. Après l'avoir égoutté, mettez-le dans la cuve de cuisson amovible. Mesurez l'eau ou le bouillon à l'aide du godet à riz fourni et incorporez dans la cuve de cuisson.

1. Pressez la touche **FUNCTION** et sélectionnez **PRESSURE COOK** (cuisson à pression). Le témoin s'illuminera.
2. Entrez le **TEMPS** selon le type de riz utilisé. Le temps sera affiché sur l'écran **DEL**.
3. Assurez-vous que la soupape de décharge est tournée en position **PRESSURE** et que le cadran de contrôle de la pression est en position **HIGH**. Pressez la touche **START/CANCEL**.
4. Une fois que la minuterie sera à "0" et que les 5 bips se seront fait entendre, libérez la **PRESSION**.
5. Ouvrez le couvercle. Si l'eau n'est pas complètement absorbée, remuez le riz pour évaporer le surplus d'humidité avant de retirer le riz.

RIZ	TEMPS DE TASSES	D'EAU QUANTITÉ	RÉGLAGE DE PRESSION	CUISSON
RIZ BLANC À GRAINS LONGS OU COURTS, RIZ AU JASMIN OU BASMATI	2	2 GODETS À RIZ	LOW (basse)	7 MINUTES
	4	4 GODETS À RIZ	LOW (basse)	9 MINUTES
	6	6 GODETS À RIZ	LOW (basse)	10 MINUTES
	8	8 GODETS À RIZ	LOW (basse)	12 MINUTES
	10	10 GODETS À RIZ	LOW (basse)	14 MINUTES
RIZ BRUN	2	2½ GODETS À RIZ	MEDIUM (moyenne)	15 MINUTES
	4	6 GODETS À RIZ	MEDIUM (moyenne)	20 MINUTES
	6	9 GODETS À RIZ	MEDIUM (moyenne)	25 MINUTES
	8	12 GODETS À RIZ	MEDIUM (moyenne)	30 MINUTES
	10	15 GODETS À RIZ	MEDIUM (moyenne)	35 MINUTES

GUIDE POUR CUIRE À PRESSION

NOTE

Lorsque vous cuisez le riz, les céréales ou les pâtes, dépressurisez lentement après la cuisson en pressant le bouton de dégagement de la vapeur, par petits coups.

NOTE

Pour atteindre la pression plus rapidement lors de la cuisson à pression, utilisez du bouillon ou de l'eau bouillante.

NOTE

Utilisez le godet à riz fourni avec l'autocuiseur/mijoteuse pour mesurer le riz et l'eau. Le godet à riz ne correspond pas à une tasse en mesure impériale.

NOTE

Ces temps de cuisson sont approximatifs et peuvent varier selon la nature et la quantité des aliments. Si la cuisson n'est pas à point, consultez la section des recettes pour des recettes correspondant à ces tableaux de cuisson.

NOTE

N'excédez pas la marque 8 indiquée sur la paroi interne de la cuve, lorsque vous cuisez des aliments qui gonflent, comme les fèves séchées, les grains ou les légumineuses.



IMPORTANT

N'utilisez pas l'appareil pour cuire le riz instantané.

CUISSON À PRESSION DES LÉGUMINEUSES

450g de légumineuses donnent environ 3-4 tasses de légumineuses cuites, selon le type utilisé.

INGRÉDIENTS

1½ tasse de fèves ou de pois séchés
3 tasses d'eau, pour la cuisson

MARCHE À SUIVRE

1. Ajouter les fèves ou pois et l'eau dans la cuve de cuisson amovible, en vous assurant de ne pas excéder la marque de niveau d'eau 6. Verrouillez le couvercle.

Réglage Pressure Cook (Cuisson à pression)

2. Presser la touche **FUNCTION** et sélectionnez **PRESSURE COOK**. Le voyant s'illuminera.
3. Entrer le **TEMPS**, selon les fèves ou pois utilisés. Le temps s'affichera sur l'écran **DEL**.
4. Presser la touche **START/CANCEL**.
5. Quand la minuterie sera à "0" et que 5 bips se seront fait entendre, libérer la pression.
6. Ouvrir le couvercle. Laisser refroidir, puis retirer et déguster. Utiliser comme substitut aux fèves ou pois en conserve.

TRUC

Les temps de cuisson recommandés dans le tableau sont pour les légumineuses. Lorsque la recette stipule de cuire les légumineuses séchées avec d'autres ingrédients, le temps de cuisson devra être prolongé. À titre de référence, réduire le temps de cuisson conventionnel de $\frac{2}{3}$.

GUIDE POUR CUIRE À PRESSION

LÉGUMINEUSES	RÉGLAGE DE PRESSION	TEMPS DE CUISSON À PRESSION	TEMPS DE CUISSON CONVENTIONNELLE
Fèves Cannellini	MEDIUM (moyenne)	12-15 minutes	40-45 minutes
Pois chiches	MEDIUM (moyenne)	35-40 minutes	2 heures
Fèves de Lima, grosses	MEDIUM (moyenne)	6-8 minutes	30 minutes

NOTE

Ces temps de cuisson sont approximatifs et peuvent varier selon la nature et la quantité des aliments.

CUISSON À PRESSION DES LÉGUMES

INGRÉDIENTS

1kg de légumes préparés
1 litre d'eau chaude ou bouillon

MARCHE À SUIVRE

1. Ajouter les légumes et l'eau chaude ou le bouillon dans la cuve de cuisson amovible. Verrouiller le couvercle.

Réglage Pressure cook (Cuisson à pression)

2. Presser la touche FUNCTION et sélectionner PRESSURE COOK. Le voyant s'illuminera.

3. Entrer le TEMPS selon le type de légumes utilisés. Le temps sera affiché sur l'écran DEL.
4. S'assurer que la soupape de décharge est tournée à la position PRESSURE et que le cadran de contrôle de la pression est tourné à la position HIGH.
5. Pressez la touche START/CANCEL.
6. Quand la minuterie sera à "0" et que 5 bips se seront fait entendre, libérer la pression.
7. Ouvrir le couvercle.

LÉGUMES	RÉGLAGE DE PRESSION	TEMPS DE CUISSON À PRESSION	TEMPS DE CUISSON CONVENTIONNELLE
Petites betteraves (entières) ou grosses betteraves (coupées)	HIGH (élevée)	6-8 minutes	20-25 minutes
Carottes, tranches de 1"	MEDIUM (moyenne)	2-3 minutes	6-10 minutes
Épi de maïs, coupé en deux	HIGH (élevée)	3-4 minutes	10-12 minutes
Courge, coupée en dés	LOW (basse)	10 minutes	20-30 minutes
Papate, en dés pour purée	MEDIUM (moyenne)	8-10 minutes	10-15 minutes
Rutabaga, tranches de 1"	HIGH (élevée)	4-5 minutes	15-20 minutes

NOTE

Ces temps de cuisson sont approximatifs et peuvent varier selon la nature et la quantité des aliments.

GUIDE POUR CUIRE À PRESSION

FRUITS	RÉGLAGE DE PRESSION	TEMPS DE CUISSON À PRESSION	TEMPS DE CUISSON CONVENTIONNELLE
FRUITS Pommes, entières, 1kg Pêches, entières, 1kg Poires, entières, 1kg	LOW (basse) LOW (basse) LOW (basse)	5-6 minutes 4-5 minutes 12-15 minutes	30 minutes 20 minutes 30-35 minutes

NOTE

Ces temps de cuisson sont approximatifs et peuvent varier selon la nature et la quantité des aliments.

NOTE

Dégagement lent - Si vous n'abaissez pas le bouton de dégagement de la vapeur une fois la cuisson terminée, la vapeur sortira automatiquement et lentement de la soupape de décharge de la pression. Cette méthode est recommandée pour les recettes contenant de grandes quantités de liquide, comme les soupes ou les pots au feu, afin d'empêcher le liquide de sortir avec la vapeur. La méthode de dégagement lent est aussi utilisée pour terminer les recettes comme le risotto ou les puddings.

COMMENT BRAISER

COMMENT BRAISER

L'ajout de liquide est requis pour braiser. Mettez les aliments dans la cuve de cuisson et ajoutez suffisamment de liquide pour couvrir jusqu'au tiers de la viande.

Lorsque vous utilisez les réglages **PRESSURE COOK** ou **SLOW COOK** (Cuisson à pression ou cuisson lente), la viande ne colorera pas durant le processus de braisage. Il vous faudra d'abord la saisir au réglage **SAUTÉ/SEAR** avant de la braiser.

COUPES DE VIANDE RECOMMANDÉES POUR BRAISER

Boeuf Tende de tranche, palette, gîte à la noix, croupe

Boeuf Pointe de poitrine

Agneau Quartier de devant, hampe, épaule

Veau Épaule/quartier de devant

Porc Surlonge, collier

VIANDE BRAISÉE

4 à 6 portions

INGRÉDIENTS

1-1,2 kg de rôti d'épaule, désossé
2 gousses d'ail, pelées et hachées
1 c. à soupe d'huile végétale
1 oignon, pelé et haché
125 ml (½ tasse) de bouillon de boeuf
1 boîte de 140 g de pâte de tomates italiennes
1 boîte de 140 g de tomates en cubes et le jus
1 c. à soupe de cassonade, fermement tassée
1 c. à thé de moutarde sèche
¼ c. à thé de paprika
2 c. à soupe de jus de citron
2 c. à soupe de vinaigre de cidre
1 c. à thé de sauce Worcestershire
2 c. à soupe de persil frais haché

MARCHE À SUIVRE

Frotter la viande sur tous les côtés avec l'ail haché.

Réglage Sauté

1. Presser la touche **FUNCTION** puis sélectionner **SAUTÉ**. Le voyant s'illuminera. Entrer le **TEMPS** 15 min. Il s'affichera sur l'écran **DEL**. Presser la touche **START/CANCEL** et attendre 3 min pour que la cuve de cuisson se réchauffe.
2. Ajouter la viande et rissoler sur tous les côtés. Retirer et réserver.
3. Chauffer l'huile 20 sec et ajouter les oignons. Sauter 2-3 min jusqu'à ramollissement.
4. Ajouter le bouillon de boeuf, la pâte de tomates, les tomates en cubes et le jus, la cassonade, la moutarde sèche, le paprika, le jus de citron, le vinaigre de cidre et la sauce Worcestershire.
5. Bien remuer pour mélanger tous les ingrédients, puis porter à ébullition.
6. Ajouter la viande aux autres ingrédients et bien mélanger pour enrober de sauce. Bien verrouiller le couvercle.

COMMENT BRAISER

Réglage Pressure Cook (Cuisson à pression)

7. Presser la touche **FUNCTION** et sélectionner **PRESSURE COOK**. Le voyant s'illuminera.
8. Entrer le **TEMPS** 45 min. Il s'affichera sur l'écran **DEL**.
9. S'assurer de tourner la soupape de décharge à **PRESSURE** et le cadran de pression à **HIGH**.
10. Pressez la touche **START/CANCEL**. Une fois que toute la pression sera atteinte, tourner le cadran de pression à **MEDIUM**.
11. Quand la minuterie affichera "0" et que 5 bips se seront fait entendre, libérer la **PRESSION**.
12. Ouvrir le couvercle. Vérifier la viande qui devrait être tendre lorsque piquée à la fourchette. Retirer la viande, trancher et retourner dans la cuve de cuisson amovible durant 20 min avant de servir. Garnir de persil frais et servir.

NOTE

Si vous désirez préparer cette recette à cuisson lente, suivez les instructions pour **CUISSON LENTE** en pages 111-113 et régler le temps à 6 ou 8 heures.

COMMENT RÔTIR

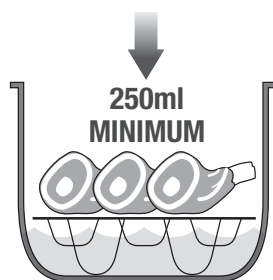
COMMENT RÔTIR

Rôtir les viandes en utilisant les réglages **PRESSURE COOK** ou **SLOW COOK** (Cuisson à pression ou cuisson lente) produit des résultats tendres et savoureux. Les deux méthodes contribuent à briser et adoucir les tissus conjonctifs et musculaires de la viande, la rendant plus facile à trancher.

La viande ne rissolera pas aux réglages de cuisson à pression ou cuisson lente. Pour saisir la viande, utilisez d'abord le réglage **SAUTÉ**.

Usage des réglages **SLOW COOK** ou **PRESSURE COOK** (Cuisson lente ou cuisson à pression)

Déposez la viande sur la grille en acier inoxydable fournie. Ajoutez un minimum de 250 ml (1 tasse) de liquide chaud (eau ou bouillon).



Cela aidera à garder la surface de la viande sèche en l'empêchant de tremper dans le gras de cuisson. La grille en acier inoxydable soulève la viande au-dessus du liquide bouillant.

NOTE

N'utilisez pas d'huile ou de lait comme liquide.

TRUC

Les fonctions de **CUISSON LENTE** ou **CUISSON À PRESSION** cesseront de fonctionner s'il n'y a pas assez de liquide dans la cuve. Ajoutez plus de liquide et assurez-vous qu'il y a, en tout temps, un minimum de 250ml (1 tasse) de liquide dans la cuve durant la cuisson.

COUPES DE VIANDE RECOMMANDÉES POUR RÔTIR

Boeuf Palette, croupe, rosbif de côte, noix fraîche, tendre de tranche.

Agneau Gigot, surlonge de centre, carré, couronne, jarret, épaule, petit rôti.

Veau Cuisseau, longe, carré, épaule/quartier de devant.

Porc longe, collier, patte, carré (sans peau ni gras).

COMMENT RÔTIR

RÔTI DE BASE

INGRÉDIENTS

1 rôti de boeuf, veau, agneau ou porc de 1-1,2 kg
ou 1 poulet de 1-1,2 kg
250ml (1 tasse) de bouillon de boeuf ou de poulet

MARCHE À SUIVRE

Réglage Sauté

1. Presser la touche **FUNCTION** puis sélectionner **SAUTÉ**. Le voyant s'illuminera.
2. Entrer le **TEMPS**: 10 min. Il s'affichera sur l'écran **DEL**.
3. Presser la touche **START/CANCEL**. et attendre 3 min pour que la cuve se réchauffe avant la cuisson. Ajouter la viande et faire rissoler sur tous les côtés. Retirer et réserver. Ajouter le bouillon de boeuf ou de poulet et mélanger avec la spatule. Placer délicatement la grille de cuisson dans la cuve et y déposer la viande. Mettre le couvercle et le verrouiller.

Réglage Pressure Cook (Cuisson à pression)

4. Presser la touche **FUNCTION** et sélectionner **PRESSURE COOK**. Le voyant s'illuminera.
5. Entrer le **TEMPS**: 13 min pour une viande saignante ou 15-18 min pour une cuisson moyenne à bien cuite. Le temps s'affichera sur l'écran **DEL**.
6. Tournez la soupape de décharge à **PRESSURE** et le cadran de pression à **HIGH**.
7. Presser la touche **START/CANCEL**.
8. Quand la minuterie sera à "0" et les 5 bips se seront fait entendre, libérer la **PRESSION**.

9. Ouvrir le couvercle. Couvrir la viande de papier aluminium et laisser reposer 10 min avant de la dépecer. Assaisonner au goût et servir.

NOTE

Pour préparer cette recette à cuisson lente, suivre les instructions pour **CUISSON LENTE** en pages 111-113 et régler le temps à 6 ou 8 heures.

HUMMUS MAISON

2 tasses

INGRÉDIENTS

2 tasses de pois chiches, séchés

750ml (3 tasses) d'eau

2 gousses d'ail, écrasées

Jus d'un citron

2 c. à soupe de tahini, écalé

2-3 c. à soupe d'huile d'olive

Sel au gout

MARCHE À SUIVRE

1. Laver les pois chiches à l'eau froide et jeter les pois décolorés. Bien égoutter, mettre dans la cuve de cuisson amovible et couvrir d'eau. Verrouiller le couvercle.
2. Presser la touche **FUNCTION** et sélectionner **PRESSURE COOK**. Le voyant s'illuminera.
3. Entrer le **TEMPS**: 35 min; il s'affichera sur l'écran **DEL**.
4. La soupape de décharge doit être tournée à la position **PRESSURE** et le cadran de contrôle de la pression, à **MEDIUM**.
5. Une fois que la minuterie est à "0" et que 5 bips se sont fait entendre, libérer la **PRESSION**.
6. Ouvrir le couvercle pour laisser refroidir complètement
7. Mettre les pois chiches dans le bol d'un robot culinaire et ajouter l'ail, le jus de citron et le tahini; traiter jusqu'à consistance homogène.
8. Pendant que le moteur tourne, verser l'huile et assaisonner au goût. Si le mélange est trop épais, ajouter un peu d'eau chaude jusqu'à consistance désirée.

Servir accompagné de falafel, de pain pita et de salade.

RECETTES DE CUISSON À PRESSION - BOUILLONS

BOUILLON DE POULET

2,5 litres

INGRÉDIENTS

1kg de carcasses de poulet
1 oignon, tranché
1 carotte, coupée en 5 morceaux
1 branche de céleri, tranchée
4 grains de poivre blanc
1 feuille de laurier
5 tiges de céleri
2,5 litres d'eau

MARCHE À SUIVRE

Réglage Sauté

1. Retirer tout le gras et la peau des carcasses de poulet et bien rincer. Égoutter et placer dans la cuve de cuisson amovible avec tous les ingrédients. Verrouiller le couvercle.

Réglage Pressure cook (Cuisson à pression)

2. Presser la touche FUNCTION et sélectionner PRESSURE COOK. Le voyant s'illuminera.
3. Entrer le TEMPS: 1 heure; il s'affichera sur l'écran DEL.
4. La soupape de décharge doit être tournée à PRESSURE et le cadran de contrôle de la pression, à HIGH.
5. Une fois que la minuterie est à "0" et que 5 bips se sont fait entendre, libérer la PRESSION.
6. Ouvrir le couvercle et laisser refroidir complètement.
7. Passer le bouillon dans une passoire très fine. Réfrigérer jusqu'à la formation d'une couche de gras solide sur le dessus.
8. Retirer la couche de gras et jeter. Verser le bouillon dans de petits contenants, étiqueter et congeler, ou utiliser immédiatement.

RECETTES DE CUISSON À PRESSION - BOUILLONS

BOUILLON DE BOEUF

2,5 litres

INGRÉDIENTS

2 c. à soupe d'huile
2 carottes, coupées en dés
2 branches de céleri, tranchées
2 oignons, hachés
2 gousses d'ail, tranchées
1,5kg d'os de boeuf, rincés
2 tiges de thym
4 tiges de persil
2 feuilles de laurier
1 c. à thé de grains de poivre noir
2,5 litres d'eau

MARCHE À SUIVRE

Réglage Sauté

1. Presser la touche **FUNCTION** et sélectionner **SAUTÉ**. Le voyant s'illuminera.
2. Entrer le **TEMPS**: 30 min; il s'affichera sur l'écran **DEL**.
3. Presser la touche **START/CANCEL** et attendre 3 min pour que la cuve de cuisson préchauffe. Ajouter l'huile et chauffer un autre 2 min.
4. Ajouter les carottes, le céleri, les oignons et cuire en remuant à l'occasion durant 25 min ou jusqu'à ce que les légumes et les os soient d'un brun doré foncé.

Réglage Pressure Cook (Cuisson à pression)

5. Incorporer les herbes, les grains de poivre et l'eau et racler pour déloger le jus caramélisé au fond de la cuve.
6. Presser la touche **FUNCTION** et sélectionner **PRESSURE COOK**. Le voyant s'illuminera.

7. Entrer le **TEMPS**: 1 heure; il s'affichera sur l'écran **DEL**.
8. La soupape de décharge doit être tournée à la position **PRESSURE** et le cadran de contrôle de la pression, à **HIGH**.
9. Une fois que la minuterie est à "0" et que 5 bips se sont fait entendre, libérer la **PRESSION**.
10. Ouvrir le couvercle et laisser refroidir complètement.
11. Passer le bouillon dans une passoire très fine. Réfrigérer jusqu'à la formation d'une couche de gras solide sur le dessus.
12. Retirer la couche de gras et jeter. Verser le bouillon dans de petits contenants, étiqueter et congeler, ou utiliser immédiatement.

SOUPE AU POULET

6-8 portions

INGREDIENTS

- 1½ kg de poulet (pilons, ailes, cuisses)
- 1 oignon moyen, coupé en 4
- 2 carottes, pelées et coupées en tranches de 3 cm
- 1 branche de céleri avec feuilles, coupée en 2
- 4 tiges de persil
- 3 tiges d'aneth frais
- 1 c. à thé de sel
- 10 grains de poivre
- 1-1¼ litre (4-5 tasses) d'eau bouillante

MARCHE À SUIVRE

Réglage Sauté

1. Laver soigneusement le poulet et couper l'excès de gras.
2. Presser la touche **FUNCTION** et sélectionner **SAUTÉ**. Le voyant s'illuminera. Entrer le **TEMPS: 15 min**; il s'affichera sur l'écran **DEL**. Presser la touche **START/CANCEL** et attendre 3 min pour que la cuve de cuisson préchauffe.
3. Mettre tous les ingrédients dans la cuve de cuisson amovible et couvrir d'eau. Porter à ébullition et écumer délicatement avec une grande cuillère. Verrouiller le couvercle.

Réglage Pressure Cook (Cuisson à pression)

4. Presser la touche **FUNCTION** et sélectionner **PRESSURE COOK**. Le voyant s'illuminera.
5. Entrer le **TEMPS: 30 min**; il s'affichera sur l'écran **DEL**.
6. La soupape de décharge doit être tournée à **PRESSURE** et le cadran de contrôle de la pression, à **MEDIUM**.
7. Presser la touche **START/CANCEL**.
8. Une fois que la minuterie est à "0" et que les 5 bips se sont fait entendre, libérer la **PRESSION**.
9. Ouvrir le couvercle. Laisser la soupe refroidir et égoutter dans un tamis. Réfrigérer toute la nuit.
10. Le lendemain, enlever et jeter le gras à la surface de la soupe. Réchauffer et ajuster l'assaisonnement. Servir avec des nouilles aux oeufs.

SOUPE AUX LÉGUMES

4–6 portions

INGRÉDIENTS

- 1 c. à soupe d'huile végétale
- 1 gros oignon, finement haché
- 3 gousses d'ail, finement hachées
- 2 grosses carottes, en dés
- 1 petite patate douce, en dés
- 225g de courge musquée, en dés
- 3 tasses (750ml) d'eau bouillante
- Sel de mer et poivre fraîchement moulu
- 2 c. à soupe de fromage parmesan râpé

MARCHE À SUIVRE

Réglage Sauté

1. Presser la touche FUNCTION et sélectionner SAUTÉ. Le voyant s'illuminera.
2. Entrer le TEMPS: 10 min; il s'affichera sur l'écran DEL.
3. Presser la touche START/CANCEL et attendre 3 minutes pour préchauffer la cuve avant la cuisson.
4. Verser l'huile dans la cuve, chauffer 20 sec. Ajouter l'oignon et faire sauter 2 min.
5. Ajouter l'ail, les carottes, la patate douce et la courge musquée et faire sauter environ 5 min, en remuant à l'occasion.
6. Ajouter l'eau bouillante, saler et poivrer. Bien remuer. Verrouiller le couvercle.

Pressure Cook (Cuisson à pression)

7. Presser la touche FUNCTION et sélectionner PRESSURE COOK. Le voyant s'illuminera.
8. Entrer le TEMPS: 10 min; il s'affichera sur l'écran DEL.
9. La soupape de décharge doit être tournée à PRESSURE et le cadran de contrôle de la pression, à MEDIUM. Presser la touche START/CANCEL.
10. Une fois que la minuterie est à "0" et que les 5 bips se sont fait entendre, libérer la PRESSION.
11. Ouvrir le couvercle. Mélanger la soupe dans un robot culinaire ou un mélangeur jusqu'à consistance crémeuse. Saupoudrer de fromage parmesan râpé.

CURRY AUX POIS CHICHES & PATATES DOUCES

Environ 6-8 portions

INGRÉDIENTS

- 1½ tasse (335g) de pois chiches, séchés
- 1 c. à soupe d'huile d'olive
- 1 gros oignon, finement haché
- 4 gousses d'ail, finement hachées
- 1 c. à thé de gingembre frais, haché
- 1 bâton de cannelle
- 1 c. à thé de poudre de chili
- 1 c. à thé de poudre de coriandre
- 1 c. à thé de poudre de cumin
- 1 boîte de 400g de tomates en dés
- 225g de patate douce, coupée en morceaux de 2 cm
- 1½ tasse (375ml) de bouillon de légumes ou de poulet
- 1 c. à soupe de cassonade, bien tassée
- Sel et poivre au goût
- ½ tasse (125ml) de lait de coco (optionnel)
- ¼ tasse de coriandre fraîche, hachée

MARCHE À SUIVRE

Réglage Pressure Cook (Cuisson à pression)

1. Mettre les pois chiches et 3 tasses d'eau chaude dans la cuve de cuisson amovible, sans excéder le niveau de 1/3. Verrouiller le couvercle.
2. Presser la touche **FUNCTION** et sélectionner **PRESSURE COOK**. Le voyant s'illuminera.
3. Entrer le **TEMPS**: 35 min; il s'affichera sur l'écran **DEL**. La soupape de décharge doit être tournée à **PRESSURE** et le cadran de contrôle de la pression, à **MEDIUM**. Presser la touche **START/CANCEL**. Une fois que la minuterie est à "0" et les 5 bips se sont fait entendre, dégager la pression. Ouvrir le couvercle. Égoutter et rincer les pois chiches et réserver.

4. Laver et sécher soigneusement la cuve de cuisson amovible avant de la remettre dans le boîtier.

Réglage Sauté

5. Presser la touche **FUNCTION** et sélectionner **SAUTÉ**. Le voyant s'illuminera.
6. Entrer le **TEMPS**: 10 min; il s'affichera sur l'écran **DEL**.
7. Presser la touche **START/CANCEL** et attendre 3 min pendant que la cuve se réchauffe avant la cuisson. Verser l'huile et chauffer 20 sec. Ajouter l'oignon, l'ail et le gingembre. Faire sauter 5 min en remuant à l'occasion. Ajouter les épices et faire sauter 3 min en remuant, jusqu'à ce qu'elles soient odorantes. Ajouter les pois chiches, les tomates en dés, la patate douce, le bouillon, la cassonade, le sel et le poivre. Porter à ébullition. Verrouiller le couvercle.

Réglage Pressure Cook (Cuisson à pression)

8. Presser la touche **FUNCTION** et sélectionner **PRESSURE COOK**. Le voyant s'illuminera.
9. Entrer le **TEMPS**: 30 min; il s'affichera sur l'écran **DEL**.
10. La soupape de décharge doit être tournée à **PRESSURE** et le cadran de contrôle de la pression, à **MEDIUM**.
11. Presser la touche **START/CANCEL**.
12. Une fois que la minuterie est à "0" et que les 5 bips se sont fait entendre, libérer la **PRESSION**.
13. Ouvrir le couvercle. Incorporer le lait de coco, saupoudrer de coriandre hachée et servir.

RECETTES DE CUISSON À PRESSION - RISOTTO

RISOTTO AU POULET ET PESTO

4–6 portion

INGRÉDIENTS

1 c. à soupe de beurre
225g de filets de poitrine de poulet, finement tranchés
1 c. à soupe d'huile d'olive
1 gros oignon, finement haché
3 gousses d'ail, émincées
¾ tasse de riz Arborio ou Carnaroli
1½ litre (5 tasses) de bouillon de poulet
½ tasse de pesto
¼ tasse de Parmesan râpé
Feuilles de bébé roquette pour garnir
Parmesan râpé en extra, pour servir

MARCHE À SUIVRE

Réglage Sauté

1. Presser la touche **FUNCTION** et sélectionner **SAUTÉ**. Le voyant s'illuminera.
2. Entrer le **TEMPS**: 18 min; il s'affichera sur l'écran **DEL**. Presser la touche **START/CANCEL** et attendre 3 min pour que la cuve de cuisson préchauffe.
3. Ajouter la moitié du beurre dans la cuve, chauffer 30 sec, ajouter le poulet en deux portions et cuire jusqu'à coloration de tous les côtés. Retirer et réserver. Chauffer le reste du beurre et l'huile jusqu'à ce que le beurre soit fondu.
4. Incorporer les oignons et l'ail et cuire 4 min, jusqu'à ramollissement. Ajouter le riz, bien mélanger et cuire 3 min, en remuant à l'occasion. Incorporer le bouillon de poulet et bien mélanger. Verrouiller le couvercle.

Réglage Pressure Cook (Cuisson à pression)

5. Presser la touche **FUNCTION** et sélectionner **PRESSURE COOK**. Le voyant s'illuminera.
6. Entrer le **TEMPS**: 10 min; il s'affichera sur l'écran **DEL**.
7. La soupape de décharge doit être tournée en position **PRESSURE** et le cadran de contrôle de la pression, à **MEDIUM**.
8. Presser la touche **START/CANCEL**.
9. Ouvrir le couvercle. Le riz doit être 'al dente'. Incorporer le bouillon de poulet, le pesto, ¼ tasse de fromage Parmesan et les feuilles de roquette.

Service immédiatement avec un peu plus de Parmesan.

RECETTES DE CUISSON À PRESSION - POULET

POULET AU PAPRIKA

4-6 portion

INGRÉDIENTS

2 c. à soupe d'huile végétale
2 oignons moyens, coupés en dés
2 tomates en grappe, pelée et coupées en dés
½ piment rouge ou vert, coupé en dés
1½ c. à soupe de paprika hongrois doux
4-6 cuisses de poulet avec os (environ 1kg), sans la peau et les cartilages
½ tasse de bouillon de poulet
½ tasse de crème sure légère
Sel et poivre au goût

MARCHE À SUIVRE

Réglage Sauté

1. Presser la touche **FUNCTION** et sélectionner **SAUTÉ**. Le voyant s'illuminera.
2. Entrer le **TEMPS**: 15 min; il s'affichera sur l'écran **DEL**.
3. Presser la touche **START/CANCEL** et attendre 3 min pour que la cuve de cuisson préchauffe. Chauffer l'huile, faire sauter les oignons, les tomates et le piment environ 8 min ou jusqu'à ramollissement. Ajouter le paprika et cuire 1 min, en remuant constamment. Ajouter les morceaux de poulet et tourner pour bien enrober avec le mélange d'oignons. Poursuivre la cuisson 4 min. Incorporer le bouillon de poulet et bien mélanger. Verrouiller le couvercle.

Réglage Pressure Cook (Cuisson à pression)

4. Presser la touche **FUNCTION** et sélectionner **PRESSURE COOK**. Le voyant s'illuminera.
5. Entrer le **TEMPS**: 25 min; il s'affichera sur l'écran **DEL**.
6. La soupape de décharge doit être tournée à la position **PRESSURE** et le cadran de contrôle de la pression, à **MEDIUM**.
7. Presser la touche **START/CANCEL**.
8. Une fois que la minuterie est à "0" et que 5 bips se sont fait entendre, libérer la **PRESSION**.
9. Ouvrir le couvercle. Saler et poivrer au goût. Incorporer la crème sure au moment de servir.

RECETTES DE CUISSON À PRESSION - BOEUF

CORNEE-BEEF

4-6 portions

INGRÉDIENTS

1-1,2kg de corned-beef
1 gros oignon piqué de 6 clous de girofle
1 c. à soupe de vinaigre de cidre
12 grains de poivre noir
1 branche de céleri, coupée en 4 morceaux
1 feuille de laurier
1 bouquet garni
2 c. à soupe de cassonade, tassée fermement
1 carotte, coupée en morceaux
Eau

MARCHE À SUIVRE

1. Mettre tous les ingrédients dans la cuve de cuisson amovible avec juste assez d'eau pour couvrir la moitié de la viande. Verrouiller le couvercle.

Réglage Pressure Cook (Cuisson à pression)

2. Presser la touche FUNCTION et sélectionner PRESSURE COOK. Le voyant s'illuminera.
3. Entrer le TEMPS: 40 min; il s'affichera sur l'écran DEL.
4. La soupape de décharge doit être tournée à la position PRESSURE et le cadran de contrôle de la pression, à LOW.
5. Presser la touche START/CANCEL.
6. Une fois que la minuterie est à "0" et que 5 bips se sont fait entendre, libérer la PRESSION.
7. Ouvrir le couvercle. Vérifier le corned-beef; il devrait être tendre lorsque piqué avec un couteau. Laisser reposer 15 min avant de servir.

RECETTES DE CUISSON À PRESSION - BOEUF

RÔTI DE BOEUF AU SOYA ET À L'AIL

4-5 portions

INGRÉDIENTS

- 1,2 kg de filet de boeuf roulé
- 1 c. à soupe d'huile d'olive
- 1 c. à soupe de sauce soya légère
- 1 c. à soupe d'ail haché
- 1 piment d'espelette, égrené et émincé
- 1 tasse (250ml) de bouillon de boeuf
- 1 tasse (250ml) de vin rouge sec
- Sel et poivre au goût

MARCHE À SUIVRE

1. Dans un grand bol, déposer le rôti de boeuf. Dans un petit bol, mélanger l'huile, la sauce soya, l'ail et le piment et bien enrober le rôti du mélange. Couvrir et réfrigérer 4 heures ou toute la nuit.

Régage Sauté

2. Le lendemain, presser la touche **FUNCTION** et sélectionner **SAUTÉ**. Le voyant s'illuminera.
3. Entrer le **TEMPS**: 10 min; il s'affichera sur l'écran **DEL**.
4. Presser la touche **START/CANCEL** et attendre 3 min pour que la cuve de cuisson préchauffe. Faire saisir et colorer la viande de tous les côtés. Retirer la viande et ajouter le bouillon de boeuf et le vin rouge. Mélanger à la spatule. Placer délicatement la grille dans la cuve de cuisson et y déposer la viande. Verrouiller le couvercle.

Réglage Pressure Cook (Cuisson à pression)

5. Presser la touche **FUNCTION** et sélectionner **PRESSURE COOK**. Le voyant s'illuminera.
6. Entrer le **TEMPS**: 13 min pour une cuisson saignante à moyenne, 15 min pour une cuisson à point. Le temps s'affichera sur l'écran **DEL**.
7. La soupape de décharge doit être tournée à la position **PRESSURE** et le cadran de contrôle de la pression, à **LOW**.
8. Presser la touche **START/CANCEL**.
9. Une fois que la minuterie est à "0" et que 5 bips se sont fait entendre, libérer la **PRESSION**.
10. Ouvrir le couvercle. Mettre la viande dans une assiette, la couvrir de papier aluminium et attendre 10 min avant de la dépecer.

Assaisonner au goût et servir.

NOTE

Le reste du bouillon peut être réduit en utilisant le réglage Sauté durant 3-5 min pour glacer ou napper de sauce le rôti.

SPAGHETTI & SAUCE BOLOGNAISE VITE FAITE

6-8 portions

INGRÉDIENTS

2 c. à soupe d'huile d'olive
1 oignon moyen, coupé en dés
4 gousses d'ail, écrasées
800 g de boeuf ou de porc haché
2 boîtes de 450g de tomates hachées
2 c. à soupe de pâte de tomate
1 c. à thé de basilic séché
1 c. à thé d'origan séché
2 c. à thé de sucre (optionnel)
1 tasse (250ml) d'eau
Sel et poivre au goût
1kg de spaghetti
Fromage Parmesan pour garnir

MARCHE À SUIVRE

Régage Sauté

1. Presser la touche **FUNCTION** et sélectionner **SAUTÉ**. Le voyant s'illuminera.
2. Entrer le **TEMPS**: 15 min; il s'affichera sur l'écran **DEL**.
3. Presser la touche **START/CANCEL** et attendre 3 min pour que la cuve de cuisson préchauffe.
4. Ajouter l'huile d'olive à la cuve de cuisson et chauffer 20 sec. Ajouter l'oignon et l'ail et cuire 2-3 min. Incorporer la viande, en brisant les grumeaux, et faire rissoler 5-8 min. Incorporer les tomates, la pâte de tomate, le basilic, l'origan, le sucre, l'eau, le sel et le poivre. Bien mélanger tous les ingrédients. Verrouiller le couvercle.

Réglage Pressure Cook (Cuisson à pression)

5. Presser la touche **FUNCTION** et sélectionner **PRESSURE COOK**. Le voyant s'illuminera.
6. Entrer le **TEMPS**: 35 min; le voyant s'illuminera.
7. La soupape de décharge doit être tournée en position **PRESSURE** et le cadran de contrôle de la pression, à **HIGH**.
8. Presser la touche **START/CANCEL**.
9. Une fois que la minuterie est à "0" et que 5 bips se sont fait entendre, libérer la **PRESSION**.
10. Ouvrir le couvercle. Saler et poivrer au goût.
11. Pendant ce temps, faire bouillir d'eau dans une grande casserole et cuire les pâtes 6-8 min ou jusqu'à 'al dente'. Bien égoutter. Mélanger la sauce au spaghetti et servir immédiatement, saupoudré de fromage Parmesan.

CRÈME ANGLAISE DE BASE

4 portions

INGRÉDIENTS

4 oeufs, battus

½ tasse de sucre à glacer

200ml (¾ tasse) de lait

1½ c. à thé d'essence de vanille

NOTE

Si vous utilisez un plat en métal, la cuisson sera plus rapide. Nous suggérons de raccourcir le temps de 10 min.

MARCHE À SUIVRE

1. Dans un grand bol, battre les oeufs, le sucre, le lait et la vanille.
2. Verser le mélange à travers une fine passoire dans un plat à soufflé de 6 tasses ou un plat allant au four.
3. Couvrir de 2 feuilles de papier ciré et de 2 feuilles de papier aluminium et sceller avec une ficelle.

Réglage Pressure Cook (Cuisson à pression)

4. Mettre la grille dans la cuve de cuisson et verser 2 tasses d'eau bouillante. Placer le plat à soufflé ou le plat allant au four sur la grille et verrouiller le couvercle.
5. Presser la touche FUNCTION et sélectionner PRESSURE COOK. Le voyant s'illuminera.
6. Entrer le TEMPS: 25 min; il s'affichera sur l'écran DEL.
7. La soupape de décharge doit être tournée en position PRESSURE et le cadran de contrôle de la pression, à LOW. Presser la touche START/CANCEL.
8. Une fois que la minuterie est à "0" et que 5 bips se sont fait entendre, libérer la PRESSION.
9. Ouvrir le couvercle. Laisser la crème prendre durant 20-30 min avant de servir. Elle peut aussi être réfrigérée toute la nuit et servie le lendemain avec une compote de fruits.

PLUM PUDDING

4-6 portions

INGRÉDIENTS

100g de fruits séchés
2 c. à soupe de brandy
¼ tasse d'eau bouillante
¼ tasse de sirop doré
4 c. à soupe de beurre
½ tasse de sucre à glacer
2 c. à thé d'essence de vanille
2 oeufs, bien battus
½ tasse de farine
⅔ tasse de farine autolevante
½ c. à thé de soda à pâte

MARCHE À SUIVRE

1. Faire tremper les fruits séchés dans le brandy 3-4 heures, puis ajouter l'eau bouillante et laisser tremper 10 min de plus.
2. Pendant ce temps, verser le sirop doré dans un plat à pudding de 6 tasses, graissé et chemisé.
3. Battre le beurre, le sucre et la vanille en crème jusqu'à consistance légère. Ajouter les oeufs, un à la fois, et bien battre. Tamiser la farine autolevante, le soda à pâte et plier dans le mélange crémeux avec les fruits et le liquide.
4. Transférer le mélange à la cuillère dans le bol à pudding et mettre le couvercle ou couvrir de 2 feuilles de papier ciré et 2 feuilles de papier aluminium. Verrouiller le couvercle.

Réglage Pressure Cook (Cuisson à pression)

5. Placer la grille dans la cuve de cuisson et verser 2 tasses d'eau bouillante. Déposer le plat à pudding ou à soufflé sur la grille. Verrouiller le couvercle.
6. Presser la touche **FUNCTION** et sélectionner **PRESSURE COOK**. Le voyant s'illuminera.
7. Entrer le **TEMPS**: 55 min; il s'affichera sur l'écran **DEL**.
8. La soupape de décharge doit être tournée en position **PRESSURE** et le cadran de contrôle de la pression, à **LOW**. Presser la touche **START/CANCEL**.
9. Une fois que la minuterie est à "0" et que 5 bips se sont fait entendre, libérer la **PRESSION**.
10. Ouvrir le couvercle et laisser reposer 30 min.
11. Tourner le pudding à l'envers et servir avec de la crème anglaise.

RÉGLAGE DE CUISSON LENTE

RÉGLAGE DE CUISSON LENTE

L'autocuiseur/mijoteuse a été conçu spécifiquement avec un réglage unique de cuisson lente qui superpose les saveurs.

Cette technique est utilisée par les grands chefs pour rehausser le goût des aliments en utilisant le même chaudron pour faire sauter les oignons, saisir les viandes et préparer les pots au feu, currys, soupes, bouillons ou sauces bolognaïses.

L'autocuiseur/mijoteuse vous permet de faire sauter et de cuire lentement les aliments dans la même cuve de cuisson. Vous n'avez qu'à activer la fonction SAUTÉ/SEAR pour caraméliser les légumes et saisir les viandes, puis commencer la CUISSON LENTE.

Le réglage SLOW COOK (Cuisson lente) de l'autocuiseur/mijoteuse laisse les aliments mijoter pour une durée prolongée.

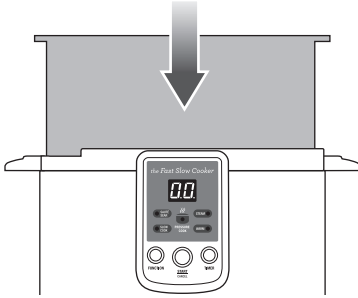
Le tableau suivant vous aidera à ajuster vos recettes favorites:

CUISSON TRADITIONNELLE	CUISSON LENTE
60-120 minutes	6 à 8 heures

RÉGLAGE DE CUISSON LENTE

COMMENT CUIRE LENTEMENT

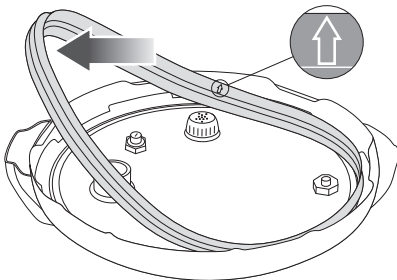
1. Placez la cuve de cuisson amovible dans son boîtier en acier inoxydable.



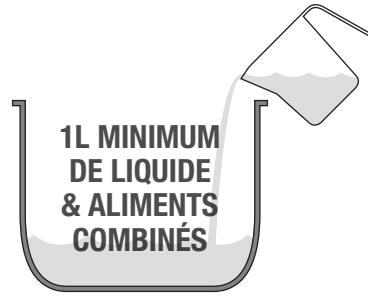
2. Fixez solidement le joint en caoutchouc silicone bien propre dans son support, en vous servant des flèches comme guide. Assurez-vous que les flèches sont orientées vers le haut quand vous l'insérez dans le couvercle.

NOTE

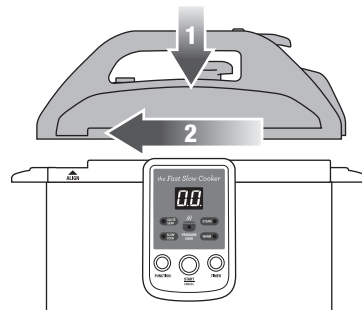
Fixez le joint d'étanchéité en caoutchouc silicone dans le couvercle, s'il ne l'est pas déjà.



3. Placez un minimum de 4 tasses (1 litre) de liquide et aliments combinés dans la cuve de cuisson amovible.



4. Fermez et verrouillez le couvercle en utilisant la poignée. Tournez-le en sens horaire en alignant les flèches "ALIGN". La flèche du couvercle doit être alignée à celle de boîtier en acier inoxydable jusqu'à ce que le couvercle se verrouille en position fermée. Cela doit se faire sans effort.

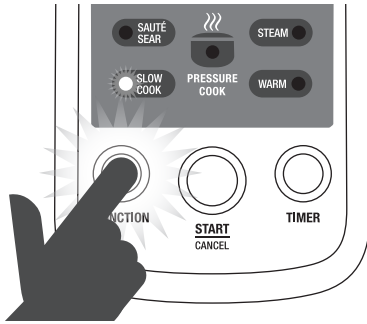


NOTE

La soupape de décharge n'est d'aucune utilité durant la cuisson lente.

RÉGLAGE DE CUISSON LENTE

5. Pressez la touche **FUNCTION** jusqu'à ce que le voyant **SLOW COOK** (Cuisson lente) clignote en rouge.



6. Pour régler la minuterie, pressez la touche **TIMER** et choisissez 6 ou 8 heures. 6H ou 8H s'illuminera sur l'écran DEL. Lorsque le temps désiré sera affiché, pressez la touche **START/CANCEL**. Le voyant lumineux cessera de clignoter et restera éclairé en rouge.
7. Le préchauffage débutera, le temps de cuisson sélectionné restera affiché sur le panneau de commande et le compte à rebours débutera et sera affiché par tranches d'une heure. Cependant, la dernière heure défilera par tranches d'une minute sur l'écran DEL.
8. Quand la minuterie affichera "0", la cuisson sera terminée. 5 bips se feront entendre et l'appareil passera automatiquement en mode de **MAINTIEN AU CHAUD** durant 30 minutes.



9. Pour ouvrir le couvercle, tournez la poignée en sens antihoraire jusqu'à ce que les flèches "ALIGN" soient à la position ouverte (OPEN).

! IMPORTANT

- *N'utilisez jamais le réglage pour CUISSON LENTE sans aliments et liquide dans la cuve de cuisson amovible.*
- *Gardez le couvercle fermé durant tout le processus de CUISSON LENTE.*
- *Utilisez toujours des gants de cuisine pour retirer la cuve de cuisson lorsqu'elle est très chaude.*
- *Ne mettez pas la cuve de cuisson amovible ou le couvercle en acier inoxydable sur une surface sensible à la chaleur lorsqu'ils sont chauds.*

! ATTENTION

Ouvrez toujours le couvercle en acier inoxydable avec précaution en le tenant loin de vous afin d'éviter les brûlures causées par la vapeur s'en échappant.

Utilisation de la fonction **WARM** (Maintien au chaud)

Automatique - fonctionnera 30 minutes après la fin de la cuisson lente.

Manuel - cette fonction peut être programmée de 02 à 99 minutes.

JARRETS D'AGNEAU BRAISÉS EN SAUCE CHAR SIU

4 portions

INGRÉDIENTS

4 jarrets d'agneau de 10-12cm de long
1 c. à soupe de farine
1 c. à soupe d'huile végétale
1 oignon moyen, finement haché
4 gousses d'ail, émincées
1 c. à soupe de gingembre frais, haché
1-2 petits piments rouges, égrenés et hachés
1½ tasse (375ml) de sauce Char Siu
2 c. à soupe de sauce hoisin
1 c. à soupe de sauce soya légère

MARCHE À SUIVRE

Enrober chaque jarret de farine et bien secouer pour enlever l'excédent.

Réglage Sauté

1. Presser la touche **FUNCTION** et sélectionner **SAUTÉ**. Le voyant s'illuminera.
2. Entrer le **TEMPS**: 15 min; il s'affichera sur l'écran **DEL**.
3. Presser la touche **START/CANCEL** et attendre 3 min pour que la cuve de cuisson préchauffe.
4. Verser l'huile dans la cuve, chauffer 1 min, ajouter les jarrets d'agneau, par portions, et faire rissoler de tous les côtés. Retire et réserver.
5. Ajouter les oignons, l'ail, le gingembre et les piments et faire sauter 3 min ou jusqu'à ce qu'ils soient colorés.
6. Incorporer le bouillon de poulet, les sauces Char Siu, hoisin et soya et bien mélanger. Ajouter les jarrets d'agneau et bien remuer pour enrober de sauce. Verrouiller le couvercle.

Réglage Slow Cooking (Cuisson lente)

7. Presser la touche **FUNCTION** et sélectionner **COOK**. Le voyant s'illuminera.
8. Entrer le **TEMPS**: 8 heures; 8HR s'affichera sur l'écran **DEL**. Presser la touche **START/CANCEL**.
9. Une fois que la minuterie est à "0" et que 5 bips se sont fait entendre, ouvrir le couvercle. Les jarrets d'agneau devraient être tendres et se défaire de l'os.

POULET À L'ÉCHALOTE ET À L'AIL

4–6 portions

INGRÉDIENTS

1kg de morceaux de poulet (cuisses et pilons), sans la peau ni le gras

¼ c. à thé de sel

¼ c. à thé de poivre blanc moulu

2 c. à soupe d'huile végétale

2 c. à thé de beurre

1 tête d'ail, pelée et séparée

6–8 échalotes ou petits oignons, pelés

1 tasse de vin blanc sec

1 tige de thym plus 1 c. à soupe de feuilles de thym frais

¾ tasse (185ml) de bouillon de poulet refroidi

1 c. à soupe de farine de maïs

MARCHE À SUIVRE

Saler et poivrer le poulet.

Réglage Sauté

1. Presser la touche **FUNCTION** et sélectionner **SAUTÉ**. Le voyant s'illuminera.
2. Entrer le **TEMPS**: 18 min; il s'affichera sur l'écran **DEL**.
3. Presser la touche **START/CANCEL** et attendre 3 min pour que la cuve de cuisson préchauffe. Ajouter l'huile et le beurre à la cuve et chauffer 30 sec. Ajouter les morceaux de poulet, par portions, et faire rissoler sur tous les côtés. Ajouter l'ail et les échalotes et faire sauter 3 min ou jusqu'à coloration. Ajouter le vin et la tige de thym et porter à ébullition. Laisser mijoter 2 min. Mélanger ensemble le bouillon de poulet refroidi et la farine de maïs, incorporer au mélange et bien remuer. Ajouter les morceaux de poulet et bien mélanger. Verrouiller le couvercle.

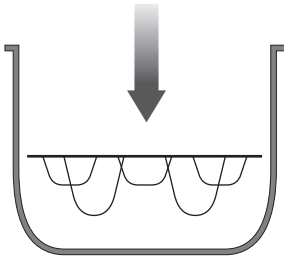
Réglage Slow Cooking (Cuisson lente)

4. Presser la touche **FUNCTION** et sélectionner **COOK**. Le voyant s'illuminera.
5. Entrer le **TEMPS**: 6 heures; 6HR s'affichera sur l'écran **DEL**.
6. Presser la touche **START/CANCEL**. Une fois que la minuterie est à "0" et que 5 bips se sont fait entendre, ouvrir le couvercle.
7. La viande de poulet doit être bien cuite, tendre et se détacher de l'os. Incorporer les feuilles de thym frais et ajuster l'assaisonnement.

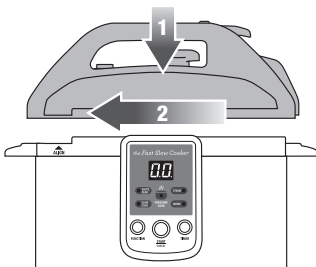
RÉGLAGE DE CUISSON À LA VAPEUR

COMMENT CUIRE À LA VAPEUR

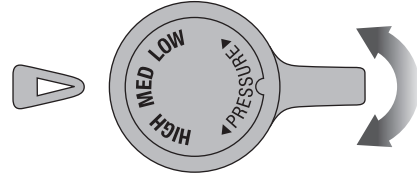
1. Placez la grille de cuisson en acier inoxydable dans la cuve de cuisson amovible et ajoutez un minimum de 1 litre (4 tasses) de liquide chaud (eau ou bouillon). Placez le panier vapeur en acier inoxydable contenant les aliments sur la grille de cuisson, en utilisant la poignée.



2. Fermez et verrouillez le couvercle en utilisant la poignée. Tournez le couvercle en sens horaire et alignez les flèches "ALIGN". La flèche du couvercle doit être alignée à celle du boîtier en acier inoxydable jusqu'à ce que le couvercle se verrouille et soit à la position fermée (CLOSE).



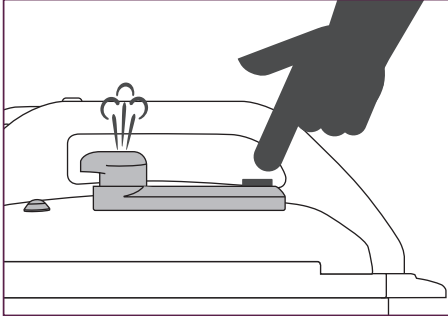
3. Sélectionnez un des réglages suivants à l'aide du cadran de régulation de pression situé sur la poignée:
 - Low (basse pression)
 - Medium (pression moyenne)
 - High (pression élevée)



4. Assurez-vous que la soupape de décharge est tournée en position PRESSURE.
5. Presser la touche FUNCTION jusqu'à ce que le voyant PRESSURE COOK clignote en rouge.
6. Pour régler la minuterie, presser la touche TIMER pour augmenter la durée de cuisson. Le temps sera illuminé sur l'écran DEL, de 02 à 99 min. Pour accélérer le défilement, pressez et tenez la touche TIMER. Lorsque le temps requis sera affiché, pressez la touche START/CANCEL. Le voyant lumineux de la touche de fonctions cessera de clignoter et restera éclairé en rouge. Préchauffez la cuve avant de commencer; le panneau de commande continuera d'afficher le temps de cuisson sélectionné. Lorsque la pression sélectionnée sera atteinte, un léger sifflement de vapeur s'échappera de la soupape de décharge. Après environ 10 min, ou plus selon la quantité de liquide ajoutée à la cuve de cuisson, le compte à rebours du temps de cuisson sélectionné débutera et sera affiché par tranches d'une minute sur l'écran DEL.
7. Quand le compte affichera "0" et que 5 bips se seront fait entendre, la cuisson sera terminée.
8. Pour libérer la pression de la soupape de décharge, pressez le bouton de décharge de vapeur. La vapeur peut se libérer de deux façons:

RÉGLAGE DE CUISSON À LA VAPEUR

Décharge rapide - Cette méthode utilise le bouton de décharge de vapeur. Pressez-le par petits coups jusqu'à ce que toute la vapeur en soit libérée.



! IMPORTANT

- *Le bouton de décharge de vapeur deviendra très chaud s'il est enfoncé pour un temps prolongé.*

Décharge lente - Si le bouton de décharge de vapeur n'est pas enfoncé lorsque la cuisson est terminée, la vapeur s'échappera automatiquement et lentement de la soupape régulatrice de pression. Cette méthode est recommandée pour les recettes contenant de grandes quantités de liquides, comme les soupes et les pots au feu, afin d'empêcher le liquide de s'échapper avec la vapeur. La méthode de décharge lente est aussi utilisée pour terminer les recettes comme le risotto et les puddings.

NOTE

Libérez la vapeur en utilisant la méthode recommandée dans la recette.

9. Attendez au moins 1 minute après avoir libéré la pression/vapeur pour déverrouiller et retirer le couvercle. Pour l'ouvrir, tournez la poignée dans le sens antihoraire et alignez les flèches "ALIGN" à la position ouverte (OPEN).
10. Vérifiez si les aliments sont suffisamment cuits. Sinon, remettez le couvercle et verrouillez-le, puis retournez à l'étape 4 précédente.

! IMPORTANT

- *La fonction VAPEUR fonctionne sous pression. Gardez la figure et les mains loin de la soupape de décharge lorsque l'appareil fonctionne avec la vapeur, car la vapeur et l'eau chaude peuvent s'en échapper durant l'utilisation.*

! ATTENTION

- *Le couvercle ne peut être ouvert durant la cuisson à la vapeur. Ne tentez pas de l'ouvrir avec force.*
- *Soyez prudent lorsque vous ouvrez le couvercle. La vapeur s'en échappera dès qu'il sera ouvert. Ne mettez jamais la figure ou les mains sur l'appareil lorsque vous retirez le couvercle. Utilisez toujours des gants de cuisine pour manipuler la cuve de cuisson amovible très chaude.*

TABLEAU DE BASE POUR CUIRE À LA VAPEUR

ALIMENTS	TEMPS
Betteraves	20-25 minutes
Choux de Bruxelles	8-10 minutes
Panais	5-6 minutes
Courge, en morceaux	10-12 minutes

RECETTES DE CUISSON À LA VAPEUR

Légumes cuits à la vapeur

Choisissez les légumes mentionnés dans le tableau de cuisson de base.

1 litre d'eau ou de bouillon chaud.

Placez la grille de rôtissage dans la cuve de cuisson amovible et versez 1 litre d'eau ou de bouillon chaud. Placez le panier vapeur contenant les légumes sur la grille. Remettez le couvercle et verrouillez-le.

CUIRE À LA VAPEUR (STEAM) dans l'autocuiseur/mijoteuse

1. Pressez la touche FUNCTION, puis sélectionnez STEAM. Le voyant s'illuminera.
2. Entrez le temps recommandé pour les légumes sélectionnés. Le temps apparaîtra sur l'écran DEL.
3. Assurez-vous que la soupape de décharge est tournée à PRESSURE et que le cadran de contrôle de la pression est tourné à la position LOW.
4. Pressez la touche START/CANCEL. Quand la minuterie est à "0" et que les 5 bips se sont fait entendre, libérez la PRESSION.
5. Ouvrez la couvercle.

Pour éviter que les aliments ne soient trop cuits en utilisation la fonction VAPEUR, il est opportun de libérer la vapeur et de retirer le couvercle immédiatement afin de stopper la cuisson. Retirez le panier vapeur par les poignées.

PAPILLOTES DE POISSON ASIATIQUES

2 portions

INGRÉDIENTS

2 filets de poisson de 150g, avec la peau, comme le vivaneau ou le trevalla bleu

1 paquet d'asperges, parées

2 échalotes, finement tranchées

2 c. à thé de gingembre, finement effiloché

¼ tasse de tiges de coriandre

Jus de ½ citron

2 c. à soupe de sauce soya légère

½ c. à thé de cassonade ou sucre brut

MARCHE À SUIVRE

1. Écaler légèrement la peau de chaque filet, 2-3 fois. Couvrir chacun d'eux d'un grand morceau de papier aluminium ou parchemin et retourner.
2. Diviser les asperges et les échalotes entre les deux papillotes et y déposer le poisson. Recouvrir de gingembre, coriandre, jus de citron, sauce soya et sucre. Replier le papier pour bien enfermer.
3. Verser 2 tasses d'eau bouillante dans la cuve de cuisson et placer la grille. Mettre les papillotes de poisson sur la grille et verrouiller le couvercle.

Réglage Steam Cook (Cuisson à vapeur)

4. Presser la touche **FUNCTION** et sélectionner **STEAM COOK**. Le voyant s'illuminera.
5. Entrer le **TEMPS**: 12 min; il s'affichera sur l'écran **DEL**.
6. La soupape de décharge doit être tournée en position **PRESSURE** et le cadran de contrôle de la pression, à **LOW**.
7. Presser la touche **START/CANCEL**. Une fois que la minuterie est à "0" et que 5 bips se sont fait entendre, libérer la **PRESSION**. Ouvrir immédiatement le couvercle, retirer le poisson et servir avec du riz cuit à la vapeur.

PUDDING CARAMEL & SAUCE BUTTERSCOTCH

4–6 portions

INGRÉDIENTS

- 4 c. à soupe de beurre
- ½ tasse de lait
- 1 oeuf, bien battu
- 2 c. à thé d'extrait de vanille
- 1 tasse (150g) de farine autolevante
- ½ c. à thé de poudre à pâte
- Saute Butterscotch
- ⅓ tasse (60g) de cassonade, bien tassée
- 1 c. à soupe de sirop doré
- ½ tasse d'eau bouillante

MARCHE À SUIVRE

1. Dans une casserole moyenne, mélanger le beurre, le lait et la cassonade et cuire à feu bas jusqu'à ce que le beurre soit fondu. Ne pas faire bouillir. Retirer du feu et laisser tiédir.
2. Ajouter l'oeuf et l'extrait de vanille au lait. Fouetter pour bien mélanger.
3. Dans un grand bol, tamiser la farine et la poudre à pâte et ajouter graduellement au mélange de lait, en fouettant jusqu'à consistance onctueuse.
4. Verser le mélange dans un bol à pudding de 6 tasses ou un plat profond allant au four. Saupoudrer de cassonade et verser en filet le sirop doré. Verser délicatement ½ tasse d'eau bouillante sur le mélange. Graisser une grande feuille de papier aluminium, la déposer sur le plat et bien la sceller en guise de couvercle.

Réglage Pressure Cook (Cuisson à pression)

5. Mettre la grille dans la cuve de cuisson amovible et y verser 3 tasses d'eau bouillante. Placer le plat allant au four sur la grille. Verrouiller le couvercle.
6. Presser la touche **FUNCTION** et sélectionner **PRESSURE COOK**. Le voyant s'illuminera.
7. Entrer le **TEMPS**: 25 min; il s'affichera sur l'écran **DEL**.
8. La soupape de décharge doit être tournée en position **PRESSURE** et le cadran de contrôle de la pression, à **MEDIUM**.
9. Presser la touche **START/CANCEL**.
10. Une fois que la minuterie est à "0" et que 5 bips se font entendre, libérer la **PRESSION**.
11. Ouvrir délicatement le couvercle.
12. Laisser le pudding reposer 15 min avant de servir.
13. Le centre du pudding doit être cuit. Le retourner délicatement sur une assiette et servir immédiatement, accompagné de crème glacée ou de crème fraîche.

NOTE

Si vous utilisez un bol à pudding en métal, le temps de cuisson peut varier.

PUDDING AU DOUBLE CHOCOLAT & SAUCE AU CHOCOLAT

4-6 portions

INGRÉDIENTS

- 4 c. à soupe de chocolat à cuisson
- 2 c. à thé de beurre
- 1 oeuf, bien battu
- ½ tasse (120g) de sucre à glacer
- 1 c. à thé d'essence de vanille
- 1 c. à thé de jus de citron
- ½ tasse (125ml) de lait
- 1 tasse (225g) de farine
- 1 c. à thé de poudre à pâte
- ½ c. à thé de soda à pâte
- ¼ tasse de poudre de cacao

SAUCE

- 100 g de chocolat noir à cuisson
- 125 ml de crème épaisse

MARCHE À SUIVRE

1. Dans une petite casserole, faire fondre le chocolat et le beurre à feu très doux. Réserver et laisser refroidir.
2. Dans un bol, battre l'oeuf, le sucre et la vanille 5 min au batteur électrique. Ajouter le chocolat fondu. Incorporer le jus de citron au lait.
3. Tamiser la farine, la poudre à pâte, le soda à pâte et la poudre de cacao et plier dans le mélange de chocolat, en alternant avec le mélange de lait.
4. Beurrer légèrement un bol à pudding de 6 tasses ou un plat allant au four et chemiser de papier parchemin.
5. Verser le mélange dans le plat. Graisser deux feuilles de papier aluminium et bien sceller sur le dessus en guise de couvercle.

Réglage Pressure Cook (Cuisson à pression)

6. Placer la grille dans la cuve de cuisson amovible et verser 3 tasses d'eau bouillante. Y déposer le plat allant au four. Verrouiller le couvercle.
7. Presser la touche FONCTION et sélectionner PRESSURE COOK. Le voyant s'illuminera.
8. Entrer le TEMPS: 25 min; il s'affichera sur l'écran DEL.
9. La soupape de décharge doit être tournée en position PRESSURE et le cadran de contrôle de la pression, à MEDIUM.
10. Presser la touche START/CANCEL.
11. Une fois que la minuterie est à "0" et que 5 bips se sont fait entendre, libérer la PRESSION.
12. Ouvrir délicatement le couvercle.
13. Laisser le pudding reposer 15 min avant de servir.
14. Le centre du pudding doit être cuit. Le retourner délicatement sur une assiette et servir immédiatement avec la sauce au chocolat.

Pour faire la sauce: dans une petite casserole, faire fondre à feu doux le chocolat et la crème, en remuant à l'occasion.

NOTE

Si vous utilisez un bol à pudding en métal, le temps de cuisson peut varier.

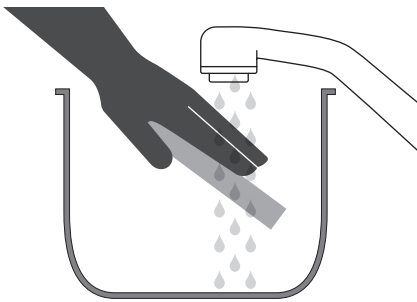
ENTRETIEN ET NETTOYAGE

de votre produit Breville

ENTRETIEN ET NETTOYAGE

ATTENTION

- *N'utilisez pas de nettoyants abrasifs, de laine d'acier ou de tampons à récurer.*
 - *N'immergez pas le boîtier en acier inoxydable ou le cordon dans l'eau ou tout autre liquide, car cela pourrait causer une électrocution.*
1. Débranchez l'appareil de la prise murale et le connecteur de la sortie de l'appareil avant de le nettoyer et/ou le déplacer.
 2. Lavez la cuve de cuisson amovible dans l'eau chaude savonneuse, à l'aide d'un chiffon doux ou d'une éponge. Rincez à l'eau claire et séchez correctement.



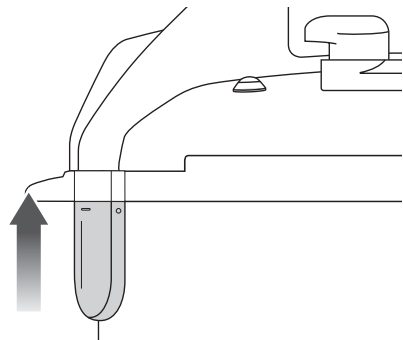
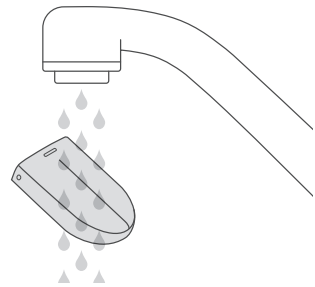
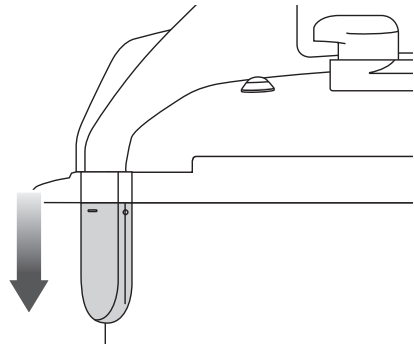
NOTE

La cuve de cuisson amovible va au lave-vaisselle. Cependant, pour préserver le revêtement antiadhésif de la cuve, il est recommandé de la laver à l'eau chaude savonneuse avec un détergent doux. Rincez et séchez soigneusement.

ATTENTION

N'utilisez pas de nettoyants abrasifs, de laine d'acier ou de tampons à récurer qui pourraient endommager la surface et le revêtement antiadhésif de la cuve.

3. Vous pouvez essuyer le boîtier en acier inoxydable avec un chiffon doux et humide, puis le sécher soigneusement.
4. Retirez le récupérateur de condensation en le tirant délicatement vers le bas, puis nettoyez-le à l'eau courante et remettez-le en place.



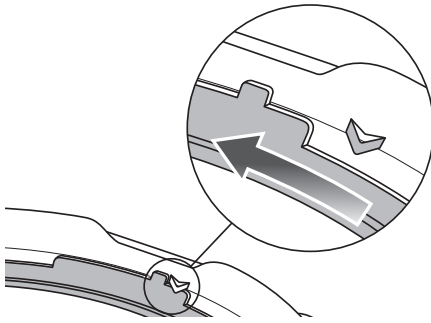
ENTRETIEN ET NETTOYAGE

5. Démontez le couvercle.
 - a) Tout d'abord, retirez délicatement le joint de caoutchouc silicone sous le support du joint. Vérifiez régulièrement s'il est propre, flexible et non craquelé ou déchiré. S'il est endommagé, n'utilisez pas l'appareil.

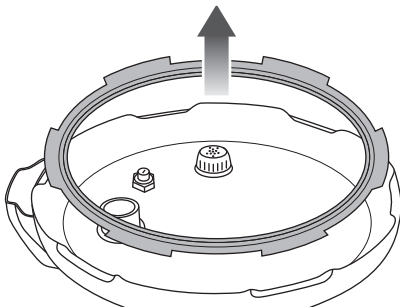
NOTE

Remplacez le joint de caoutchouc silicone à chaque 1-2 ans.

- b) Pour retirer le support du joint, tournez-le de telle sorte que les languettes en plastique ne touchent pas les ergots sur le couvercle.



Retirez le support du joint en le soulevant tout droit vers le haut.



NOTE

L'intérieur du couvercle est muni de 6 saillies triangulaires en métal qui retiennent le support en place.

Lavez le joint et le support à l'eau chaude savonneuse. Rincez à l'eau claire, séchez soigneusement et remettez en place.

NOTE

Le joint en caoutchouc silicone et le support peuvent être lavés sur le plateau supérieur du lave-vaisselle.

NOTE

Faites tremper le joint en caoutchouc silicone dans un mélange de soda à pâte et d'eau afin d'éliminer les odeurs avant de le nettoyer.

NOTE

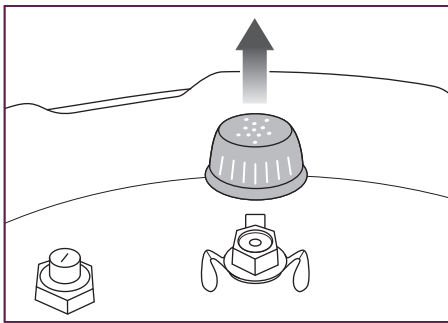
Lorsque vous nettoyez le couvercle, assurez-vous que l'aiguille de l'indicateur de pression bouge librement (du haut en bas). Lavez et nettoyez tout résidu d'huile ou de nourriture autour de cette zone.

NOTE

Après la cuisson du riz ou de grandes quantités d'aliments, un peu de liquide de cuisson peut s'être accumulé sous le couvercle de l'appareil, autour de la cuve de cuisson. Cela est normal. Nettoyez avec une serviette de papier ou un torchon après chaque usage. Utilisez une petite brosse ou un coton-tige, si nécessaire.

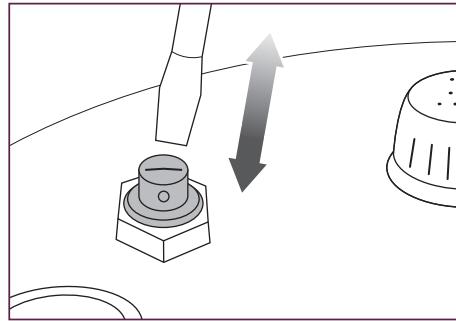
ENTRETIEN ET NETTOYAGE

- c) Lavez l'intérieur du couvercle avec un chiffon ou une éponge mouillée et savonneuse. Utilisez une brosse pour retirer les résidus d'huile, si nécessaire. Essuyez avec un chiffon propre et humide.
- d) Vérifiez régulièrement si le capuchon de la soupape de décharge est propre et exempt de liquide ou d'aliments. Enlevez le capuchon du couvercle (en le twistant et le soulevant vers le haut), essuyez la soupape avec un chiffon savonneux et séchez. Rincez le capuchon et replacez-le en le cliquant en place.



- e) La soupape de décharge doit être vérifiée et nettoyée régulièrement pour éviter qu'elle ne se bouche, ce qui pourrait bloquer la soupape de sécurité.

Pour nettoyer la soupape de sécurité, dégagez-la du couvercle vers l'extérieur en utilisant un objet mince et long (comme une baguette ou un tournevis). Lavez et nettoyez tout résidu d'huile ou de nourriture. Assurez-vous que la soupape se déplace librement de l'intérieur vers l'extérieur, après le nettoyage.



! IMPORTANT

Toutes les pièces du couvercle doivent être correctement assemblées pour assurer la sécurité aussi bien que la performance optimale de l'autocuiseur/mijoteuse.

! IMPORTANT

Le joint en caoutchouc silicone doit toujours être bien positionné avec le dessous le plus large sous le couvercle. Si le joint n'est pas bien assemblé, l'appareil ne fonctionnera pas. Une alerte se fera entendre et le message d'erreur "EO" apparaîtra sur l'écran DEL.

NOTE

Pour éliminer les odeurs, mélangez de 1 c. à soupe de vanille, ½ tasse de jus de citron, 1 c. à soupe de zeste de citron et 2 tasses d'eau chaude, et cuire à pression élevée (HIGH) pendant 5 minutes. Libérer la pression à la décharge lente, puis démontez et lavez, tel qu'indiqué.

GUIDE DE DÉPANNAGE

GUIDE DE DÉPANNAGE

PROBLÈME	SOLUTION FACILE
E0 apparaît sur l'écran DEL	<ul style="list-style-type: none"> a. Vérifiez si le couvercle est bien fermé. b. Vérifiez si la soupape de décharge est bien positionnée. c. Assurez-vous que le joint en caoutchouc silicone est bien assemblé au support du joint et fixé au couvercle.
E1 apparaît sur l'écran DEL	<ul style="list-style-type: none"> • Débranchez l'appareil et laissez reposer 20 minutes. Si le problème persiste, appelez le Service aux consommateurs de Breville.
E2 apparaît sur l'écran DEL	<ul style="list-style-type: none"> • Assurez-vous que la cuve de cuisson est bien positionnée à l'intérieur du boîtier. La cuve doit être directement en contact avec la plaque chauffante. Assurez-vous qu'il n'y a pas d'objets étrangers sur la plaque chauffante.
E3 apparaît sur l'écran DEL	<ul style="list-style-type: none"> • Assurez-vous que le couvercle est retiré de l'appareil ou entr'ouvert sur le dessus de l'appareil lorsque vous utilisez le réglage SAUTÉ/SEAR.
L'appareil passe automatiquement à Maintien au chaud sans passer par un cycle complet de cuisson	<ul style="list-style-type: none"> • Ajoutez de l'eau dans la cuve de cuisson et reprenez le cycle de cuisson.
De l'air s'échappe du bord du couvercle	<ul style="list-style-type: none"> a. Installez correctement le joint d'étanchéité. b. Nettoyez le joint d'étanchéité. c. Remplacez le joint d'étanchéité. d. Reverrouillez le couvercle.
De la vapeur s'échappe de l'indicateur de pression durant la cuisson	<ul style="list-style-type: none"> a. Nettoyez le joint d'étanchéité. b. Remplacez le joint d'étanchéité. c. Changez le joint en caoutchouc silicone à chaque 1-2 ans.
L'aiguille de l'indicateur de pression ne se soulève pas au réglage de CUISSON À PRESSION	<ul style="list-style-type: none"> a. Positionnez correctement la soupape de décharge. b. Mettez plus d'aliments et d'eau dans la cuve de cuisson. c. Appelez le Service aux consommateurs de Breville.
Le couvercle est difficile à ouvrir ou ne s'ouvre pas	<ul style="list-style-type: none"> • Vérifiez si l'aiguille de l'indicateur de pression est en position verticale. Si ce n'est pas le cas, poussez-la vers le bas à l'aide d'un crayon ou autre objet similaire, remuez le couvercle et dégagez-le. Cela permettra à l'air de s'échapper et au couvercle de s'ouvrir.

Breville®

Breville Consumer Service Center

USA

Mail: Breville USA
19400 S. Western Ave
Torrance CA
90501-1119

Phone: 1-866-273-8455

Email: askus@brevilleusa.com

Canada

Mail: Breville Canada
2555, Avenue de l'Aviation
Pointe-Claire (Montreal)
Quebec H9P 2Z2

Phone: 1-855-683-3535

Email: askus@breville.ca

www.breville.com

Breville is a registered trademark of Breville Pty. Ltd. A.B.N. 98 000 092 928.
Copyright Breville Pty. Ltd. 2013.

Due to continued product improvement, the products illustrated/photographed
in this booklet may vary slightly from the actual product.

Model BPR600XL Issue - B13

Free Manuals Download Website

<http://myh66.com>

<http://usermanuals.us>

<http://www.somanuals.com>

<http://www.4manuals.cc>

<http://www.manual-lib.com>

<http://www.404manual.com>

<http://www.luxmanual.com>

<http://aubethermostatmanual.com>

Golf course search by state

<http://golfingnear.com>

Email search by domain

<http://emailbydomain.com>

Auto manuals search

<http://auto.somanuals.com>

TV manuals search

<http://tv.somanuals.com>