

# Instruction Sheet

Kit # 313574

## NG/LPG Fuel Conversion Kit

### NG to LPG Conversion

Each generator system is delivered with a kit that includes the plug and jet required to convert the engine to use LPG fuel. The special insertion tool (#19618) is available through Briggs & Stratton.

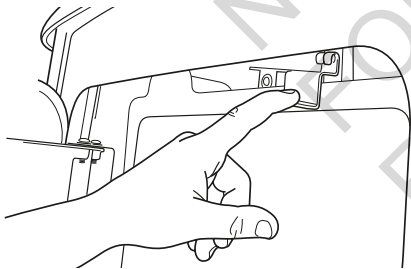
**NOTICE** Only qualified personnel as specified in the product installation manual should attempt Natural Gas (NG) to Liquid Petroleum Gas (LPG) conversions. Installations and conversions must strictly comply with all applicable codes, industrial standards and regulations. Proper tools and workmanship are required. Damage resulting from unauthorized personel will void manufacturer's warranty.

**NOTICE** Ensure that the fuel supply can deliver an engine inlet pressure of 11 to 14 inches water column.

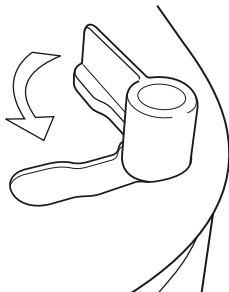
### To Reconfigure for LP:

The generator is equipped with a removable roof and removable side panels to permit simple servicing.

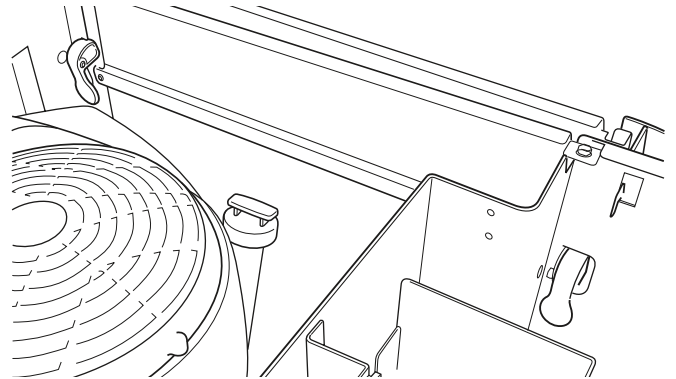
1. Open control panel door by inserting key into lock and turn one quarter turn counterclockwise.
2. Set generator's circuit breaker to **OFF** position.
3. Set control panel system switch to **OFF**.
4. Remove 15 Amp fuse from control panel.
5. Press roof latch down until roof pops up slightly.



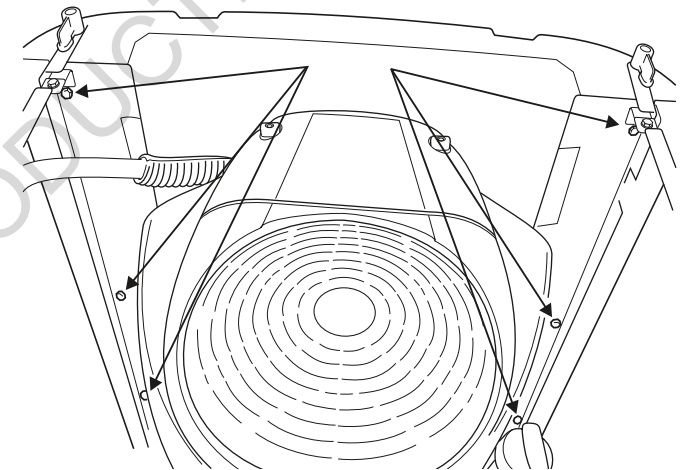
6. Lift roof up a little ways and slide back. Lift roof off of generator.
7. Rotate 4 knobs 1/4 turn and lift divider off.



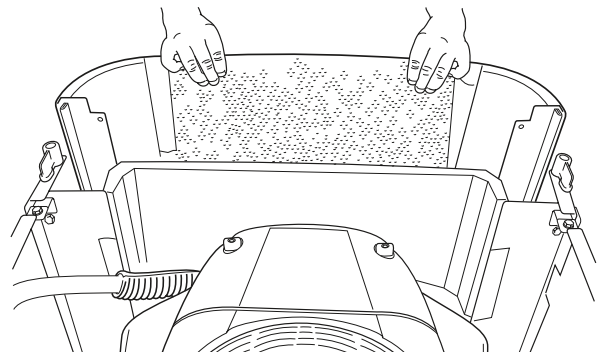
8. Lift latches up on both sides of panel to release.



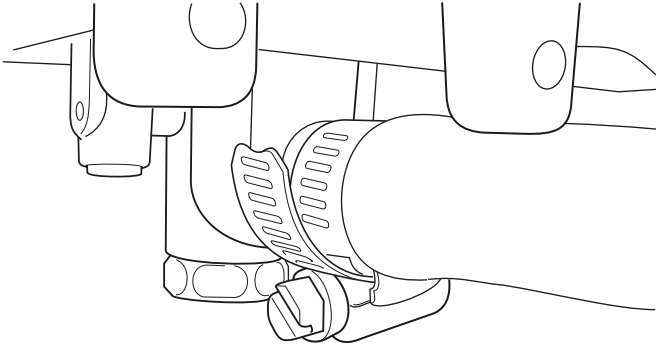
9. Pull panel upward and out of grooves.
10. Repeat steps 8 & 9 to remove other side panel.
11. Remove 6 screws from exhaust panel.



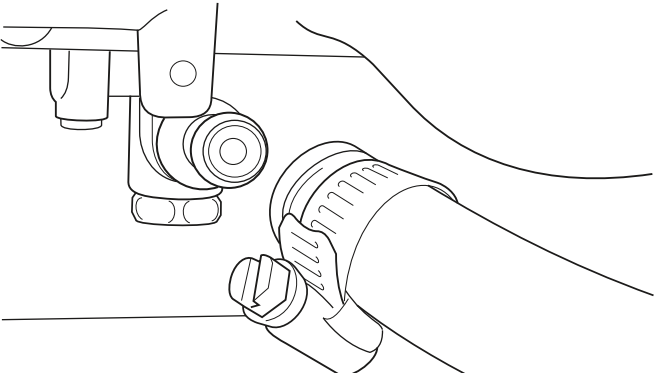
12. Pull exhaust panel up and out of base.
13. Remove two screws and pull muffer cover off.



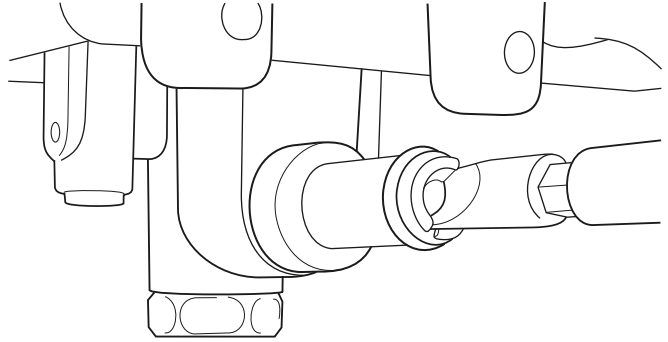
14. Locate carburetor.



15. Loosen hose clamp with a flat head screwdriver or a 5/16 socket wrench to remove hose from jet.



16. Remove existing jet from lower carburetor inlet.



17. Install new jet.

18. Replace hose and secure with hose clamp to carburetor.

19. Replace muffler cover and back exhaust panel.

20. Replace both side panels.

21. Replace divider and roof.

22. Reinstall 15 Amp fuse in control panel.

23. Set control panel system switch to **ON**.

24. Set generator circuit breaker to **ON** position.

25. Close control panel door and insert key into lock and turn key one quarter turn clockwise. Remove key.

The system is now ready to operate using LPG fuel.

NOT  
FOR  
REPRODUCTION

## Free Manuals Download Website

<http://myh66.com>

<http://usermanuals.us>

<http://www.somanuals.com>

<http://www.4manuals.cc>

<http://www.manual-lib.com>

<http://www.404manual.com>

<http://www.luxmanual.com>

<http://aubethermostatmanual.com>

Golf course search by state

<http://golfingnear.com>

Email search by domain

<http://emailbydomain.com>

Auto manuals search

<http://auto.somanuals.com>

TV manuals search

<http://tv.somanuals.com>