

BROAN[®]

Range Hoods

Blowers

Backsplashes

Accessories



December 2007

- Choosing the Right Range Hood **4-5**
- Chimney Hoods **6-15**
- Downdrafts **16-17**
- Power Packs and Power Modules **18-21**
- High Performance Hoods **22-25**
- Under Cabinet Hoods **26-37**
- Accessories **38-41**
- Blowers/Installation Guidelines **42-43**
- Specifications **44-47**

Why kitchens need

Fresh salmon fillets are reason enough. But that's really just a start. Because cooking smoke and greasy build-up are more than unpleasant. They're unhealthy. In fact, cooking churns out airborne contaminants like nothing else in the home can. This concentration of contaminants requires effective ventilation. That's where Broan comes in. As the residential ventilation leader, Broan offers more range hood kitchen ventilating solutions than anyone.

From high-performance ducted models, to the most effective non-ducted units ever made. And they're all built to Broan's demanding quality standards.

So you can count on them to help keep your kitchen cleaner for years to come. Built-in lighting means you can count on your Broan range hood to keep your kitchen brighter. Some units even include a convenient nightlight feature.

There really is a difference with Broan. It's in the details.

BROAN *Elite*

Broan® Elite (Rangemaster®), our premier range hoods, offer high performance and unique style to define your kitchen. See pages 7–16 and 22–23.

ventilation.



Problem. Your over-the-range microwave doesn't effectively capture smoke and odors. Your children can't reach it without climbing on the counter, not to mention trying to use it while someone else is cooking.

Solution. Improve the ventilation in your kitchen by replacing your over-the-range microwave with a handsome Broan range hood. Move your microwave to a shelf next to the refrigerator and improve not only the safety of your kitchen, but its efficiency as well.

How do you cook?

What do you expect your range hood to do?

Broan has styles and accessories to

Chimney and High Performance Hoods

Do you have an open concept kitchen?

Consider a chimney style range hood. Distinguish your kitchen with a centerpiece that provides function and high style. Be sure your blower matches the BTU output of your range.



Looking for convenience in a high performance range hood?

Under cabinet range hoods provide homeowners with high style and modern convenience. Sleek designs fit snugly under cabinets and stainless steel bottoms make cleaning easy. Be sure your blower matches the BTU output of your range.



Power Packs

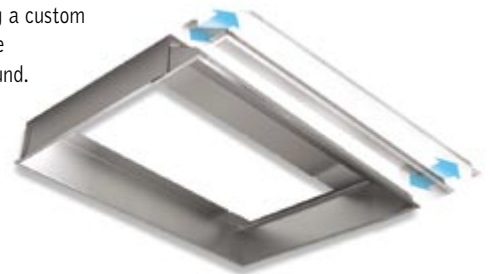
Thinking of designing custom cabinetry?

Power packs allow you to conceal your range hood under a cabinet for a clean look. Insert a power pack and achieve all the benefits of a Broan range hood.



Protect your cabinetry with custom liners.

They protect your cabinetry from steam and grease while providing a custom fit all the way around.



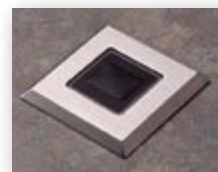
Downdrafts

Looking for a range hood that's there when you need it and hidden when you don't?

Downdraft range hoods are perfect for island or peninsula installations. You receive the right amount of ventilation literally at the push of a button.



An optional remote control button puts you in charge from anywhere in the kitchen.



suit every need.

Select an In-Line or External blower.*

If desired, choose an In-Line or Exterior blower option. Exterior blowers can be roof- or wall-mounted, depending on your appearance preferences, or to best suit your ducting requirements. In-Line blowers perform quietly and mount in the attic space.



In-Line



Exterior

Do you have tall ceilings and a chimney hood?

You'll need a flue extension if your ceiling height is greater than 9'. Flue extensions are matched to the shape, style and color of the range hood you select. Extensions for ceiling heights over 10' feet have a 14-week lead time.



Going for a professional or decorator look?

Consider adding stainless steel baffle filters, warming racks or a decorative backsplash. These durable accessories are functional and easy to clean.



Select an In-Line or External blower.*

If desired, choose an In-Line or Exterior blower option. Exterior blowers can be roof- or wall-mounted, depending on your appearance preferences, or to best suit your ducting requirements. In-Line blowers perform quietly and mount in the attic space.



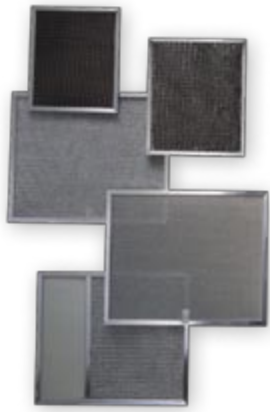
In-Line



Exterior

Replacement and odor absorbing filters.

Recirculate fresh filtered air back into the kitchen. They are made from the highest quality materials to provide the longest life possible.



Select an In-Line or External blower.*

If desired, choose an In-Line or Exterior blower option. Exterior blowers can be roof- or wall-mounted, depending on your appearance preferences, or to best suit your ducting requirements. In-Line blowers perform quietly and mount in a remote location.



In-Line



Exterior

* Broan Blowers are designed and UL Certified for use with Broan products only.

BROAN® *Elite*

The design says professional.
The details say perfection.

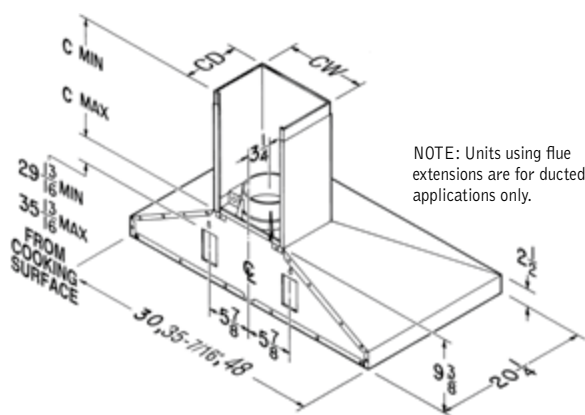
Sophisticated tastes deserve sophisticated styling. That's why we created the Broan Elite Series. These range hoods are unique works of art that flawlessly blend style, power and durability. Choosing between them won't be easy. One thing, however, is certain: you're sure to be completely satisfied with the combination of style and power you select. Our commercial-style range hoods feature serious ventilating performance for the serious home chef. They're specifically designed for use with high BTU, commercial-style ranges. They also accommodate the high-capacity demands of residential woks and cooktop grills. And, since true satisfaction and exquisite taste go hand-in-hand, we offer an extensive selection and a wide array of options and colors.



Broan Elite 61000/61000EX

Rangemaster

A flawless look. A lasting impression.
Beautiful stainless steel construction in a wall mounted design.



- Seamless corners for easy cleaning.
- Concealed three-speed slide control.
- Heat Sentry™ detects excessive heat and adjusts blower speed to high automatically.
- The 61000EX models are designed to operate with the Broan Elite External blowers, providing a choice of four Exterior models: 600, 900, 1200 or 1500 CFM, or four In-Line models: 280, 600, 800 or 1100 CFM.

- Two 20-watt (four in 48") halogen lamps included (one level).
- Available in 30", 35 1/2" (90 cm) or 48" sizes.
- Ducted/non-ducted telescopic flues fit 8' to 9' ceilings.
- Convertible to ducted or non-ducted operation.** (excludes 48" model)
- Easily removable, dishwasher-safe, stainless steel grease filters.
- Optional ducted flue extension for up to 10' ceilings.

Range Hood Specifications

Range Hood Specifications							Options & Accessories		
WIDTH	INTERNAL	EXTERNAL	BLOWER	VOLTS	AMPS	CFM	DUCT CONNECTION	FLUE EXTENSION*	NON-DUCTED FILTER
30"	613004		Internal	120	3.1	450	6" RD	RFX6104	ROUNDFILTER
35 1/2"	619004		Internal	120	3.1	450	6" RD	RFX6104	ROUNDFILTER
48"	614804		Internal	120	6.3	900	8" RD	RFX6104EX	
35 1/2"		619004EX	External†	120	0.5***	†	8" RD	RFX6104EX	
48"		614804EX	External†	120	0.8***	†	8" RD	RFX6104EX	

* Optional ducted flue extension for 10' ceiling—extensions over 10' have up to a 14-week order time.

** Requires a non-ducted filter kit, purchase separately. Round filter or SB08999736.

*** Hood amps w/o blower; for total system amps, combine hood w/ External blower amps.

† External blowers sold separately.

	C MIN	C MAX	CD	CW
613004	25 1/2"	45 1/2"	6 5/8"	9 1/4"
619004	25 1/2"	45 1/2"	6 5/8"	9 1/4"
619004EX	22"	37"	10 3/8"	12 3/4"
614804	22"	37"	10 3/8"	12 3/4"
614804EX	22"	37"	10 3/8"	12 3/4"





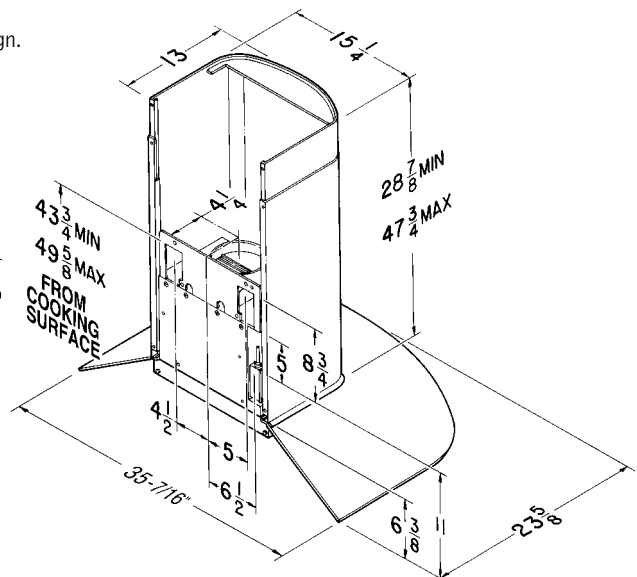
Broan Elite 62000

Rangemaster

Where practical meets beautiful.

A dramatic pairing of stainless steel and hand-blown glass in a wall mounted design.

- Seamless underside featuring recessed lighting.
- Easy cleaning, seamless corner design.
- Variable speed, electronic touch control with delay off and filter maintenance indicator.
- Heat Sentry™ detects excessive heat and adjusts blower speed to high automatically.
- Impactful 35 $\frac{1}{16}$ " (90 cm) size.
- Two 20-watt halogen lamps included (one level).
- Telescopic flue fits 8' to 10' ceilings.
- Stylish stainless steel grease filter is dishwasher-safe.



Range Hood Specifications

WIDTH	STAINLESS STEEL	VOLTS	AMPS	CFM	DUCT*
35 $\frac{1}{16}$ "	629004	120	3.1	450	6" RD

* Duct extensions over 10' have up to a 14-week order time.

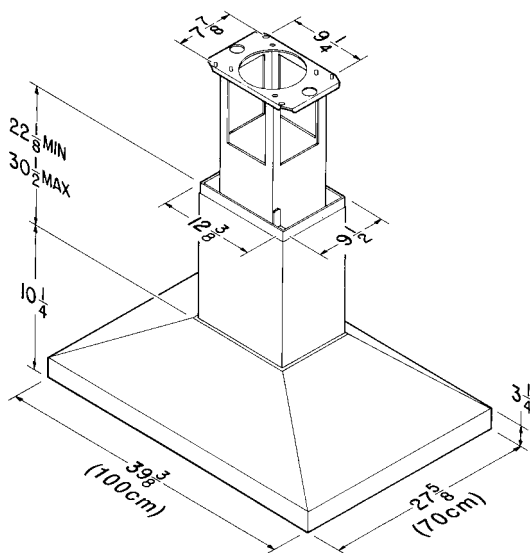


Broan Elite 63000/63000EX

Rangemaster

Perfection – any way you look at it.

This free-hanging island hood will draw the eye from every vantage point.



- Enduring style, stainless steel construction.
- Seamless corners for easy cleaning.
- Concealed three-speed control.
- Heat Sentry™ detects excessive heat and adjusts blower speed to high automatically.
- 27 $\frac{1}{8}$ " x 39 $\frac{3}{8}$ " (70 cm x 100 cm) size.
- Superior lighting from four 20-watt Halogen lamps included (one level).

- The 63000EX models are designed to operate with Broan Elite External blowers, providing a choice of four Exterior models: 600, 900, 1200 or 1500 CFM or four In-Line models: 280, 600, 800 or 1100 CFM.
- Telescopic flue fits 8' to 9' ceilings.
- Easily removable, dishwasher-safe stainless steel grease filter.



Range Hood Specifications

WIDTH	STAINLESS STEEL	BLOWER	VOLTS	AMPS	CFM	DUCT	Optional Accessory FLUE EXTENSION*
27 $\frac{1}{8}$ " x 39 $\frac{3}{8}$ " (70 x 100cm)	637004	Internal	120	5.5	900	8" RD	RFX6304EX
	637004EX	External†	120	0.8**	†	8" RD	RFX6304EX

† External and In-Line blowers sold separately.

** Hood amps without blower. For total system amps, combine hood with external blower amps.

* Optional flue extension for 10' ceiling—extensions over 10' have up to a 14-week order time.

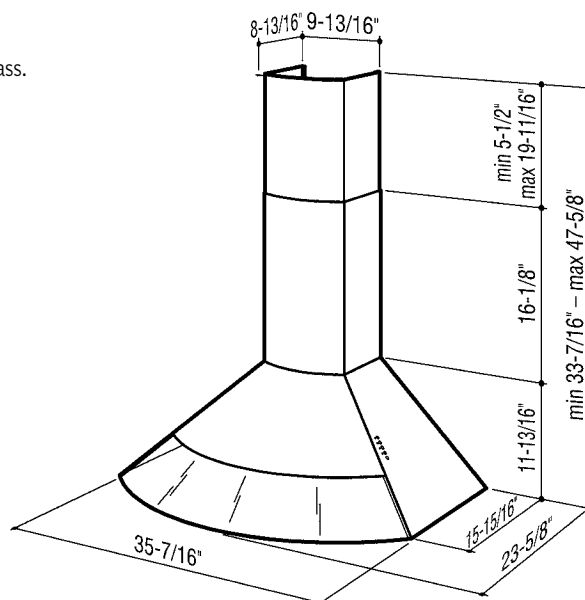


Broan Elite RM6500

Rangemaster

Sensational high-design appearance. This delightful, hand-crafted design blends curved and angular surfaces to form a stunning union of stainless steel and glass.

- Multi-speed, electronic push-button control features stylish, rounded buttons with individual speed indicators.
- Delay timer automatically shuts off unit after 10 minutes.
- Control light flashes when it's time to clean the filter.
- Heat Sentry™ detects excessive heat and adjusts blower speed to high automatically.
- Two-level lighting provides bright cooktop illumination and a low nighttime setting.
- Two 20-watt halogen lamps included (one level).
- Dishwasher-safe aluminum filters feature a quick-release latch and professional-style appearance.
- Ducted telescopic flue accommodates ceiling heights from 8 to 9 feet. Extension flues for higher ceilings are also available for ducted applications.*
- Install hood so that the bottom of the unit is 24 to 30 inches above the cooking surface. Mounting height is determined by ceiling height.



Range Hood Specifications

WIDTH	STAINLESS STEEL	VOLTS	AMPS	CFM	DUCT	FLUE EXTENSION*
35 ³ / ₁₆ "	RM659004	120	3.1	450	6" RD	RFX6504

Optional Accessory

* Optional flue extension for 10' ceiling—extensions over 10' have up to a 14-week order time.





Shown with glass visor retracted.

Broan Elite E55000

Contemporary simplicity united with efficient capture. Simple right angles and an extendable glass accent make this wall-mounted hood a stunning focal point.

- Slide-out glass canopy increases the capture area of this low-profile design.
- Brushed stainless steel finish.
- 35⁷/₁₆" width (90 cm).
- Multi-speed push button controls (Unit automatically activates when glass canopy is extended).
- Dual 20-watt halogen lamps included (one level).
- Dishwasher-safe aluminum filters.
- Telescopic flue accommodates 8' to 9' ceilings—flue extension available for ducted and non-ducted applications.
- Internal blower delivers 360 CFM.
- Non-ducted kit for indoor recirculation (purchase separately).
- Heat Sentry™ detects excessive heat and adjusts blower speed to high automatically.

Range Hood Specifications

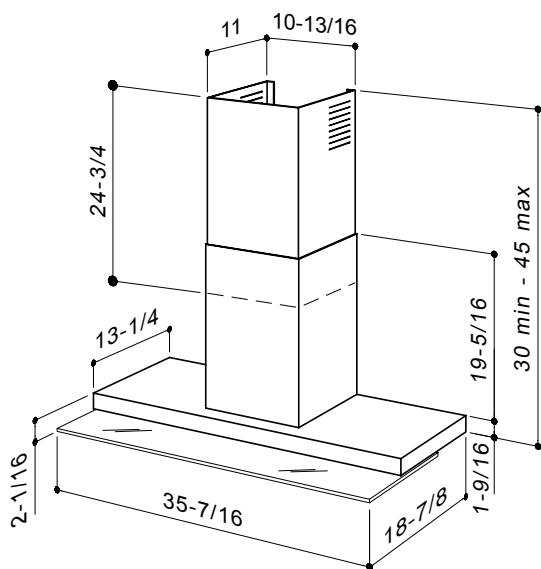
WIDTH	STAINLESS STEEL	VOLTS	AMPS	CFM High/Low	SONES High/Low	DUCT
35 ⁷ / ₁₆ "	E5590SS	120	2.63	360/140	6.5/0.7	6" RD

Options & Accessories

FLUE EXTENSION*	NON-DUCTED FLUE EXTENSION*	NON-DUCTED KIT**	NON-DUCTED FILTER
FX55SS	FXN55SS	RK55	FILTERSQUARE

* Optional flue extension for 10' ceiling—extensions over 10' have up to a 14-week order time.

** Includes non-ducted filter.

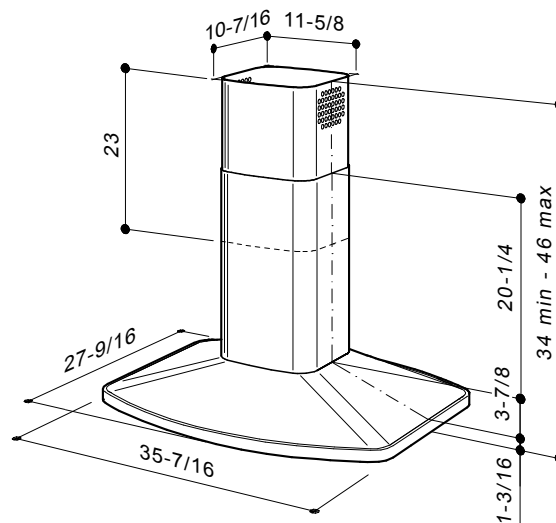




Broan Elite E54000

Elegant symmetry from every angle. Graceful curves and a low-profile design make this island hood at home in any décor.

- Brushed stainless steel finish.
- 35⁷/₁₆" x 27⁹/₁₆" dimension.
- Multi-speed slide control.
- Four 20-watt halogen lamps included (one level).
- Dishwasher-safe aluminum filters.
- Telescopic flue accommodates 8' to 9' ceilings—flue extension available for ducted and non-ducted applications.*
- Internal blower delivers 480 CFM.
- Non-ducted kit for indoor recirculation (purchase separately).
- Heat Sentry™ detects excessive heat and adjusts blower speed to high automatically.

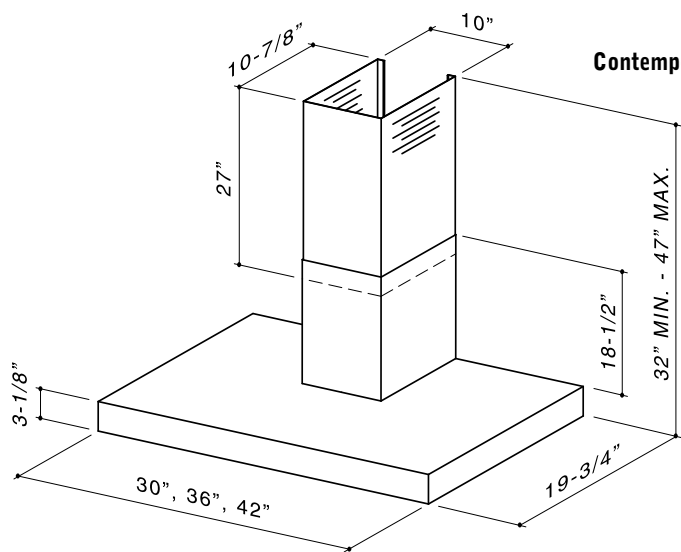


Range Hood Specifications

WIDTH	STAINLESS STEEL	VOLTS	AMPS	CFM High/Low	SONES High/Low	DUCT	FLUE EXTENSION	NON-DUCTED FLUE EXTENSION	NON-DUCTED KIT*	NON-DUCTED FILTER
35 ⁷ / ₁₆ " x 27 ⁹ / ₁₆ "	E5490SS	120	3.56	480/230	9.5/3.0	6" RD	FX54SS	FXN54SS	RK54	FILTER SQUARE

Options & Accessories

* Includes non-ducted filter.



Broan Elite RM53000

Rangemaster

Contemporary lines for a one-of-a-kind kitchen. Clean lines complement the contemporary kitchen or boldly contrast the flowing styles of more traditional settings.

- Multi-speed slide control.
- Heat Sentry™ detects excessive heat and adjusts blower speed to high automatically.
- Two 20-watt halogen lamps included (one level).
- Dishwasher-safe aluminum filters feature a quick-release latch and professional-style appearance.
- Ducted/non-ducted telescopic flue accommodates ceiling heights from 8 to 9 feet. Flue extensions for higher ceilings are also available for ducted and non-ducted applications.*
- Requires separate purchase of a non-ducted kit (RRK51) for indoor exhaust recirculation.
- Install hood so that the bottom of the unit is 24 to 30 inches above the cooking surface. Mounting height is determined by ceiling height.



Range Hood Specifications

WIDTH	STAINLESS STEEL	VOLTS	AMPS	CFM	DUCT	FLUE EXTENSION*	NON-DUCTED FLUE EXTENSION*	NON-DUCTED KIT**	NON-DUCTED FILTER
30"	RM533004	120	3.1	370	6" RD	RFX5304	RFXN5304	RRK51	FILTERSQUARE
36"	RM533604	120	3.1	370	6" RD	RFX5304	RFXN5304	RRK51	FILTERSQUARE
42"	RM534204	120	3.1	370	6" RD	RFX5304	RFXN5304	RRK51	FILTERSQUARE

* Optional flue extension for 10' ceiling—extensions over 10' have up to a 14-week order time.

** Includes non-ducted filter.

Options & Accessories



Broan Elite RM52000

Rangemaster

A sleek look that's simply elegant.

Combines graceful curves and traditional European styling.



Broan Elite RM51000

Rangemaster

Hand-rolled. European craftsmanship.

Sleek, graceful curves engineered to meet the requirements of today's appliances and kitchens.



Broan Elite RM50000

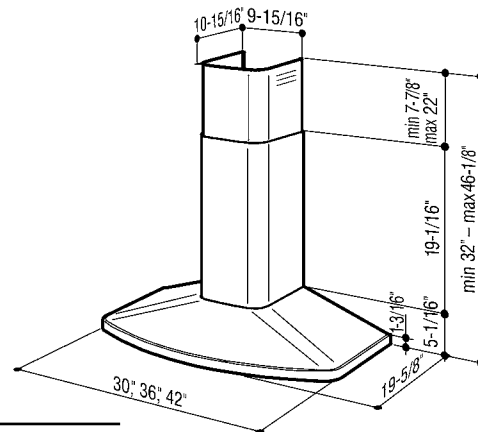
Rangemaster

Beautiful, yet attainable.

European design with tremendous value to meet the requirements of today's conventional appliance and kitchen styles.

- Multi-speed slide control.
- Heat Sentry™ detects excessive heat and adjusts blower speed to high automatically.
- Two 20-watt halogen lamps included (one level).
- Dishwasher-safe aluminum filters feature a quick-release latch and professional-style appearance.
- Ducted/non-ducted telescopic flue accommodates ceiling heights from 8 to 9 feet. Extension flues for higher ceilings are also available for ducted and non-ducted applications.*

- Requires separate purchase of a non-ducted kit (RRK51) for indoor exhaust recirculation.
- Install hood so that the bottom of the unit is 24 to 30 inches above the cooking surface. Mounting height is determined by ceiling height.



Range Hood Specifications

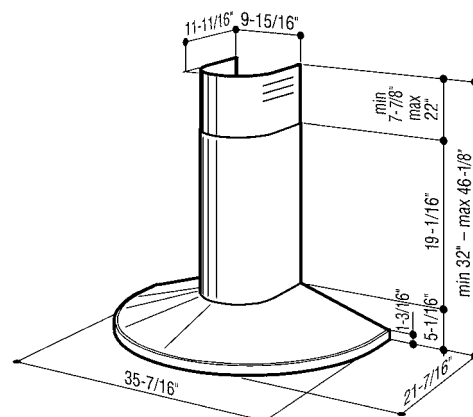
WIDTH	STAINLESS STEEL	VOLTS	AMPS	CFM	DUCT	FLUE EXTENSION*	NON-DUCTED FLUE EXTENSION	NON-DUCTED KIT*	FILTER
30"	RM523004	120	3.1	370	6" RD	RFX5204	RFXN5204	RRK51	FILTER SQUARE
36"	RM523604	120	3.1	370	6" RD	RFX5204	RFXN5204	RRK51	FILTER SQUARE
42"	RM524204	120	3.1	370	6" RD	RFX5204	RFXN5204	RRK51	FILTER SQUARE

* Optional flue extension for 10' ceiling—extensions over 10' have up to a 14-week order time.
 * Includes non-ducted filter.

Options & Accessories

- Multi-speed slide control.
- Heat Sentry™ detects excessive heat and adjusts blower speed to high automatically.
- Two 20-watt halogen lamps included (one level).
- Dishwasher-safe aluminum filters feature a quick-release latch and professional-style appearance.
- Ducted/non-ducted telescopic flue accommodates ceiling heights from 8 to 9 feet. Extension flues for higher ceilings are also available for ducted applications.*

- Requires separate purchase of a non-ducted kit (RRK51) for indoor exhaust recirculation.
- Install hood so that the bottom of the unit is 24 to 30 inches above the cooking surface. Mounting height is determined by ceiling height.



Range Hood Specifications

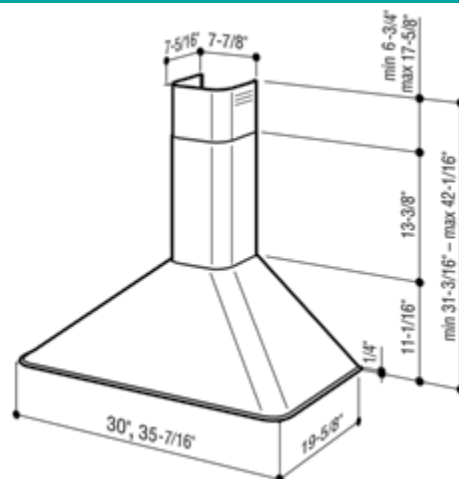
WIDTH	STAINLESS STEEL	VOLTS	AMPS	CFM	DUCT	FLUE EXTENSION*	NON-DUCTED KIT*	FILTER
35 1/16"	RM519004	120	3.1	370	6" RD	RFX5104	RRK51	FILTER SQUARE

* Optional flue extension for 10' ceiling—extensions over 10' have up to a 14-week order time.
 * Includes non-ducted filter.

Options & Accessories

- Multi-speed slide control and integrated dual light assembly.
- Heat Sentry™ detects excessive heat and adjusts blower speed to high automatically.
- Dual 40-watt incandescent lamps included (one level).
- Dishwasher-safe aluminum filter features a quick-release latch and professional style appearance.
- Includes non-ducted kit and charcoal filter for indoor exhaust recirculation.

- Ducted/non-ducted telescopic flue accommodates ceiling heights from 8 to 9 feet. Extension flues for higher ceilings are also available.*
- Non-ducted flue extensions available in stainless steel only.*
- Install hood so that the bottom of the unit is 24 to 30 inches above the cooking surface. Mounting height is determined by ceiling height.



Range Hood Specifications

WIDTH	STAINLESS STEEL	WHITE	BLACK	VOLTS	AMPS	CFM	DUCT	FLUE EXTENSION*			*NON-DUCTED FLUE EXTENSION AVAILABLE IN STAINLESS STEEL ONLY	FILTER
								STAINLESS STEEL	WHITE	BLACK		
30"	RM503004	RM503001	RM503023	120	3.1	270	6" RD	RFX5004	RFX5001	RFX5023	RFXN5004	FILTER EB40
35 1/16"	RM503604	RM503601	RM503623	120	3.1	270	6" RD	RFX5004	RFX5001	RFX5023	RFXN5004	FILTER EB40

* Optional flue extension for 10' ceiling—extensions over 10' have up to a 14-week order time.

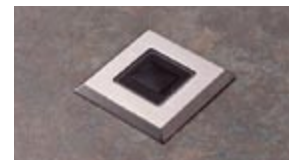
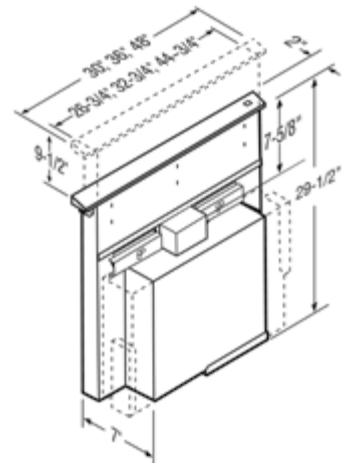


Broan Elite RMDD Downdraft System

Rangemaster

Ready where and when you need it. Rises to new heights to meet the needs of high-end commercial style cooking.

- Compact design is installed directly behind the cooktop for an unobtrusive appearance. Thin profile saves precious space under the cabinet.
- Chimney rises over 9 1/2" when activated, ideal for large pots and pans.
- Infinitely adjustable control is designed to provide convenient access to govern the blower speed for effective and quiet operation.
- Optional remote control will activate downdraft from an alternate location.
- Heat Sentry™ detects excessive heat and adjusts blower speed to high automatically.
- Dishwasher-safe filters are easy to remove and feature a stylish brushed stainless steel appearance for a professional look.
- These units are not for installations behind ovens.
- Internal 500 CFM centrifugal blower or choice of eight External blower options: four Exterior blowers from 600 to 1500 CFM, or four In-Line blowers from 280 to 1100 CFM. See page 43.
- Unique ducting capability allows the internal or remote blower connection to be ducted to the left, right or downward.



RMDDRKB Remote Control
Optional remote control will activate downdraft from an alternate location.

Range Hood Specifications

WIDTH	BLOWER		REMOTE BUTTON KIT
	INTERNAL	EXTERNAL ¹	
30"	RMDD3004	RMDD3004EX	RMDDRKB
36"	RMDD3604	RMDD3604EX	RMDDRKB
48"	RMDD4804	RMDD4804EX	RMDDRKB

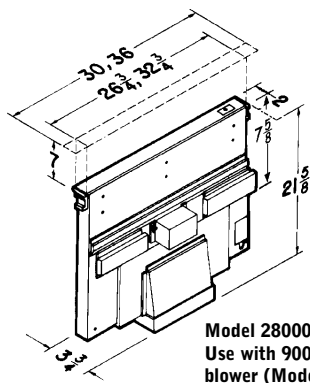
Optional Accessory

System Specifications

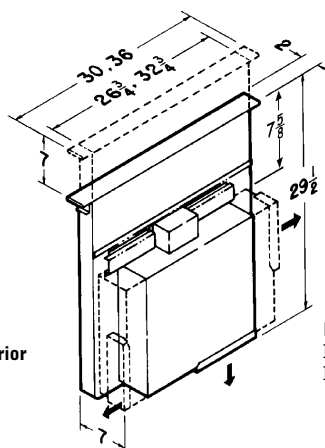
BLOWER	VOLTS	AMPS	CFM	DUCT
INTERNAL	120	4	500	3 1/4" x 10"
EXTERNAL ¹	120	6	—	3 1/4" x 14"



¹ External and In-Line blowers sold separately.



Model 28000
Use with 900 CFM Exterior blower (Model 332H) or In-Line blower.



Model 27000
Includes 500 CFM Internal blower.

Broan 27000/28000 Series Eclipse

Convenient options help assure a custom fit.
For the unique demands of cooktops in islands and peninsulas.

- Innovative downdraft system is compatible with virtually all self-contained cooktops.
- Sleek, trim styling complements any cooktop style or color.
- Automatically raises into position with the touch of a button. Disappears flush with cooktop surface.
- Space-saving design lets you make the most of precious, under-counter cabinet space.
- Infinitely adjustable speed control is flush with the side of the unit; inconspicuous, yet easy to reach and simple to use.
- Model 27000 Blower discharges right, left or down and slides side-to-side to ease installation.
- These units are not for installations behind ovens.



Range Hood Specifications**

TO FIT NOMINAL COOKTOP SIZE	MODEL	DESCRIPTION	COVER COLOR*	MODEL	VOLTS	AMPS	CFM	DUCT
30"	273003	Internal Blower Unit	Stainless Steel	27000	120	4	500	3 1/4" x 10"
36"	273603	Internal Blower Unit	Stainless Steel	28000	120	6.0 max	*	3 3/4" x 10"
30"	283003	External Blower Unit*	Stainless Steel					
36"	283603	External Blower Unit*	Stainless Steel					
30"	273001C	Optional Cover	White					
36"	273601C	Optional Cover	White					
30"	273002C	Optional Cover	Bisque/Biscuit					
36"	273602C	Optional Cover	Bisque/Biscuit					
30"	273023C	Optional Cover	Black					
36"	273623C	Optional Cover	Black					

* External unit utilizes model 332H Exterior-mounted blower. In-Line blower sold separately.

** Cooktops, countertops and cabinets vary in dimension and support systems depending upon manufacturer. These factors may impact the Eclipse's ability to fit with every worktop/cabinet combination. Specifications subject to change without notice.

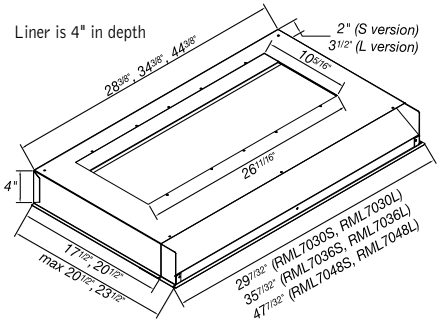
† The model 28000 requires transitioning from 3/4" x 10" to 10" round for connection to the External blower.

‡ Stainless Steel cover standard. White, Bisque or Black optional.

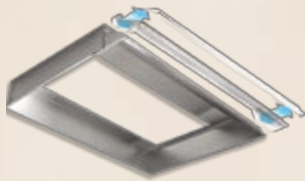


Broan Elite Custom Power Pack RMP1/RMPE

The Broan Elite Custom Power Pack is designed to fit flush with the bottom of a cabinet or custom hood that's 30" to 48" wide. The 400 CFM centrifugal blower is combined with a multi-speed control to provide quiet, effective performance. Halogen lighting complements the beauty of a fully enclosed bottom containing dishwasher-safe filters.



RML7030S/RML7030L
RML7036S/RML7036L
RML7048S/RML7048L
 For RMP17004 and RMPE7004 Packs



Liners for RMP1/RMPE Power Pack

Broan Elite Liners provide a beautiful way to finish your custom hood and protect your cabinetry. Designed to work with Broan Elite Pro-Insert and Power Packs, liners feature a 3" adjustable nose to provide application flexibility, and a 4" depth for excellent capture.

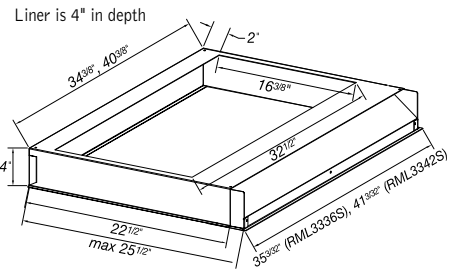
- Brushed stainless steel finish.
- Liners protect custom hoods and are available for 30", 36" and 48" widths.
- Two versions for maximum flexibility in depth adjustment: "S" version adjusts 17½"–20½". "L" version adjusts 20½"–23½".
- Liners are based on the outside width of the custom hood.



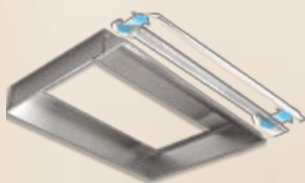
Shown with optional baffle filters.

Broan Elite RMIP Pro-Style Insert

The Broan Elite RMIP Pro-Style Insert fits flush with the bottom of the cabinet or custom hoods. Centrifugal blowers from 500 to 1500 CFM with multi-speed control provide quiet and effective performance. Halogen lighting complements the beauty of its fully-enclosed, easy-to-clean bottom.



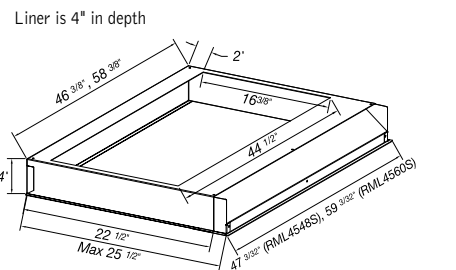
RML3336S/RML3342S For RMIP33



Liners for the RMIP Pro-Style Insert

Broan Elite Liners provide a beautiful way to finish your custom hood and protect your cabinetry. Designed to work with Broan Elite Pro-Insert and Power Packs, liners feature a 3" adjustable nose to provide application flexibility, and a 4" depth for excellent capture.

- Brushed stainless steel finish.
- Liners protect custom hood and are available for 36", 42", 48" and 60" widths.
- Liners allow depth adjustment from 22½" to 25½". Fits stock 24" cabinets.
- Liners are based on the outside width of the custom hood.



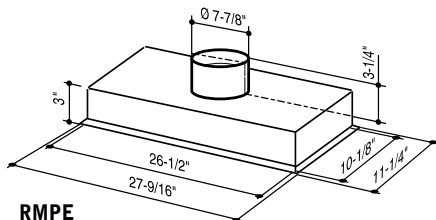
RML4548S/RML4560S For RMIP45

- Multi-speed control.
- External blower model (RMPE) allows a choice of eight blower options: four Exterior: 600, 900, 1200 or 1500 CFM, or four In-Line: 280, 600, 800 or 1100 CFM.
- Two 50-watt halogen lamps included.
- Dishwasher-safe aluminum filters feature a quick-release latch and professional-style appearance.
- Optional non-ducted filters (FILTEREB40) for indoor exhaust recirculation, some ductwork required (RMP17004 only).
- Install power pack so that the bottom of the unit is 24" to 30" above the cooking surface.
- Optional custom hood liners in 30", 36" and 48" widths.

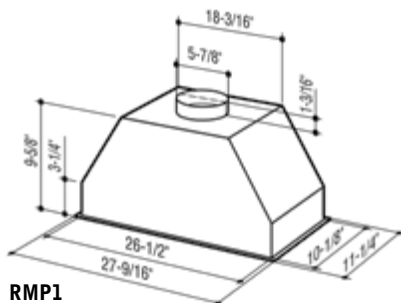
Range Hood Specifications

Range Hood Specifications						Accessory	
WIDTH	STAINLESS STEEL	BLOWER*	VOLTS	AMPS	CFM	DUCT	FILTER
70cm	RMP17004	Internal	120	3.1	400	6" RD	FILTEREB40
70cm	RMPE7004	External†	120	3.1	†	8" RD	

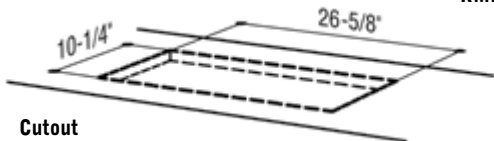
* External blowers sold separately.
 * All blowers are HVI Certified.
 † Some ductwork required for RMP1 non-ducted installations.



RMPE



RMP1



Cutout

3-STEP POWER PACK AND BLOWER SELECTION GUIDE

1. Select a Power Pack system

- RMP17004, 400 CFM Internal blower
- 27⁹/₁₆" width, 11¹/₄" depth
- RMPE7004, 280-1500 CFM External blower options
- 27⁹/₁₆" width, 11¹/₄" depth

2. Select a Liner to fit your cabinetry

If the cabinet/hood inside depth is 18"-21", choose model:

- RML7030S for 30" width
- RML7036S for 36" width
- RML7048S for 48" width

If the cabinet/hood inside depth is 21"-24", choose model:

- RML7030L for 30" width
- RML7036L for 36" width
- RML7048L for 48" width

3. Select an Internal or External Blower

- RMP17004, Internal 400 CFM blower is included
- RMPE7004, External blower options (choose one):

Exterior blowers (outside, roof or wall):

- 331H (600 CFM)*
- 332H (900 CFM)*
- 335 (1200 CFM)*
- 336 (1500 CFM)*

In-Line blowers (inside, attic or other space):

- HLB3 (280 CFM)
- HLB6 (600 CFM)*
- HLB9 (800 CFM)*
- HLB11 (1100 CFM)*

* 8"-10" transition (model 414) is required for the Exterior or In-Line models.

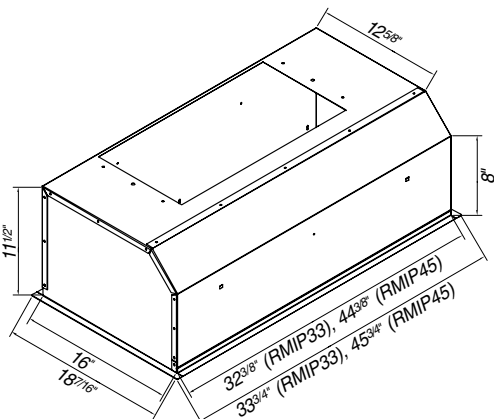
- Brushed stainless steel finish.
- Design allows use with custom liners or Broan Elite Pro-Style Insert liners (sold separately).
- Pro-Style Insert available in 33" and 45" widths.
- Variable speed control for quiet operation.
- Optional remote wall control available.
- Heat Sentry™ detects excessive heat and adjusts blower speed to high automatically.

- Dishwasher-safe stainless steel/aluminum filters, or optional baffle filters.
- Bright halogen lighting, two 50-watt lamps (RMIP33) or three 50-watt lamps (RMIP45), bulbs not included.
- Choose 460 or 850 CFM Internal, or choice of eight External blower options: four Exterior: 600, 900, 1200 or 1500 CFM, or four In-Line: 280, 600, 800 or 1100 CFM. All blowers sold separately.
- Optional liners in 36", 42", 48" and 60" widths protect custom hoods.

Range Hood Specifications

Range Hood Specifications					Optional Accessory
MODEL	WIDTH	BLOWER*	CFM*	FINISH	BAFFLE FILTER KIT
RMIP33	33 ³ / ₄ "	Internal	460 (P5), 850 (P8)	430 Brushed Stainless	RBFIP33
		External	*	430 Brushed Stainless	
RMIP45	45 ³ / ₄ "	Internal	460 (P5), 850 (P8)	430 Brushed Stainless	RBFIP45
		External	*	430 Brushed Stainless	

* All blowers must be purchased separately and are HVI Certified. See blower specifications table on page 43.
 * All ratings for vertical duct only.



RMIPWC Optional Wall Control for RMIP

Remote wall control provides both variable speed and light control from a more convenient location. Designed to work with the RMIP Pro-Style Insert only.



3-STEP INSERT & BLOWER SELECTION GUIDE

1. Select the right size Pro-Style Insert

- RMIP33 (33" width) or RMIP45 (45" width)
- Both feature an 18⁷/₁₆" depth
- 460 or 850 CFM Internal blower options
- 280-1500 CFM External blower options

2. Select a Liner to fit your cabinetry

For cabinet/hood inside depths of 23"-26" choose:

- RML3336S 36" width, use with RMIP33
- RML3342S 42" width, use with RMIP33
- RML4548S 48" width, use with RMIP45
- RML4560S 60" width, use with RMIP45

3. Select a blower for your Insert

Internal blowers:

- P5 (460 CFM)
- P8 (850 CFM)

Exterior blowers (outside, roof or wall):

- 331H (600 CFM)*
- 332H (900 CFM)*
- 335 (1200 CFM)*
- 336 (1500 CFM)*

In-Line blowers (inside, attic or other space):

- HLB3 (280 CFM)*
- HLB6 (600 CFM)*
- HLB9 (800 CFM)*
- HLB11 (1100 CFM)*

* 332KR Rough-In Kit is required when used with Exterior and In-Line blower options above (purchased separately).



Model PM 44BL shown.

Hideaway

Great ventilation performance. Great flush look.

Virtually hides from sight creating a seamless integration of cabinets and ventilation. Quiet and powerful, the Hideaway turns on simply by pulling it out.

Custom Hood Kit

Ultimate ventilating solution for custom range hood designs.

The Custom Hood Kit is the perfect match of high performance ventilation and adjustable construction.

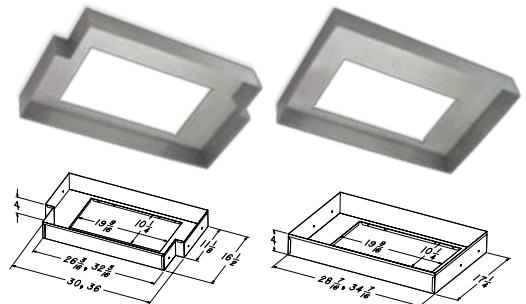
Custom Hood Power Packs and Modules

High-performance ventilation solutions.

These integrated units provide the ventilation and lighting you need for your custom application.

PM390 & PM250 Liners

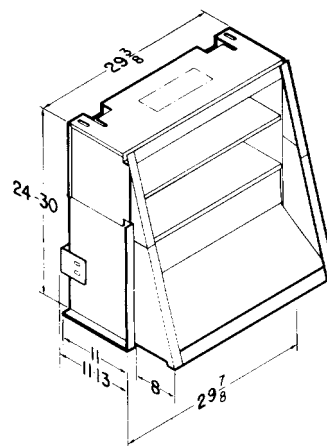
Broan "T" and "B" liners provide an elegant way to finish a traditional wood hood and protect cabinetry. They feature a durable silver painted finish and a 4" depth for good capture. Hemmed edges hide exposed edges, and pre-drilled mounting holes make installation easy.



LT30 & 36 "T" liners work with wood hoods that are integrated with adjacent 12" deep cabinets.

LB30 & 36 "B" (box) liners fit into 18" deep wood hoods or cabinet bottoms.

- The Hideaway offers clean cabinet lines, effective ventilation and over-the-range storage.
- Accommodates 30" wide by 24" to 30" high face frame cabinets.
- Fluorescent cooktop lighting (lamps sold separately).
- Powerful, quiet 360 CFM/4.5 sone performance (vertical discharge only).
- Blower and light automatically turn on when hood is pulled out.
- Heat Sentry™ detects excessive heat and adjusts blower speed to high automatically.
- Designed for ducted (vertical discharge only) installations. Includes 3¼" x 10" damper adapter.
- Must order Rough-In Kit model 113123 for installation, purchase separately.



Range Hood Specifications

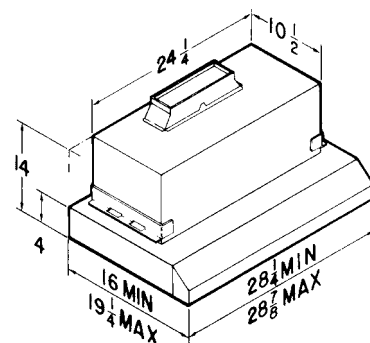
MODEL	VOLTS	AMPS	SONES	CFM	DUCT	ROUGH-IN KIT	FLUORESCENT BULB
113023	120	3.7	4.5	360	3¼" x 10"	113123	F20T12

Fluorescent Tube: 24", F20T12 (not included). Duct vertical only.

Accessory



- Fits into custom cabinetry from 30" to 42" wide.*
- Powerful, quiet 360 CFM/5.0 sone performance (vertical discharge only).
- 24" fluorescent tube lighting (bulb not included).
- Heat Sentry™ detects excessive heat and adjusts blower speed to high automatically.
- For ducted installations, includes damper/adapter for 3¼" x 10" duct.
- Must order model 103123 Rough-In Kit.



Range Hood Specifications

MODEL	VOLTS	AMPS	SONES	CFM	DUCT	ROUGH-IN KIT	FLUORESCENT BULB	EXTENSION KIT
103023**	120	3.7	5.0	360	3¼" x 10"	103123	F20T12	97009790

Fluorescent Tube: 24", F20T12 (not included).

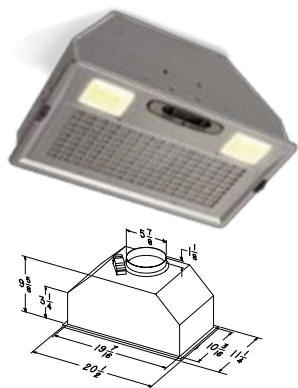
* For installations up to 36" order extension kit No. 97009790.

** Duct vertical only.



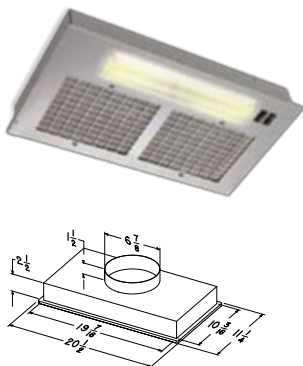
MODEL PM390

- Silver paint finish.
- Three speed, slide control.
- Heat Sentry™ detects excessive heat and adjusts speed automatically.
- Quiet centrifugal blower, 390 CFM (vertical discharge).
- Dual 40-watt lamps (Purchase separately).
- Dishwasher safe aluminum filter.
- For ducted installations, includes adapter and damper for 6" round duct.
- Optional non-ducted filter kit (Purchase separately).
- Works with optional custom hood liners in 30", 36", "Box" or "T" design.



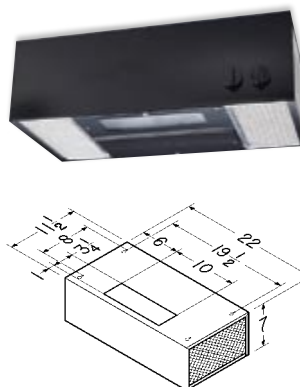
MODEL PM250

- Silver paint finish.
- Two speed motor, rocker control.
- Efficient 250 CFM fan (vertical discharge).
- Dual 40-watt lighting (Purchase lamps separately).
- Dishwasher safe aluminum filter.
- For ducted installations, built-in adapter for 7" round duct.
- Optional non-ducted filter kit (Purchase separately).
- Works with optional custom hood liners in 30", 36", "Box" or "T" design.



MODEL PM 44WW, PM 44BL

- Variable speed, rotary controls.
- Twin squirrel-cage blower, 410 CFM (vertical discharge).
- Two-level light control (bulb not included).
- Two washable aluminum filters.
- Black or White finish.
- For ducted installations, includes damper/adapter for 3¼" x 10" duct.
- Optional non-ducted kit, Model 355 NDK (purchased separately).



MODEL PM 25WW, PM 25BL

- Two-speed motor with rocker switches.
- 250 CFM fan (vertical discharge).
- Enclosed light (bulb not included).
- Washable aluminum filter.
- Black or White finish.
- Built-in 7" round duct adapter.
- Optional non-ducted kit, Model 354NDK (purchased separately).

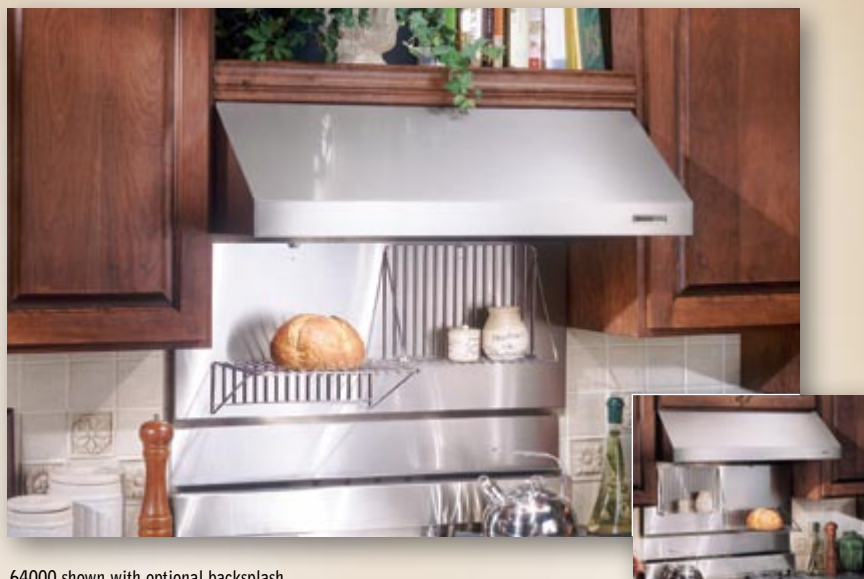


Power Pack and Power Module Specifications

SILVER	WHITE	BLACK	VOLTS	AMPS	SONES	CFM	DUCT	NON-DUCTED KIT*	ALUMINUM FILTER	CHARCOAL FILTER	30" LINERS	36" LINERS
PM390	-	-	120	2.9	6.0	390	6" RD	357NDK	B08087922	B08999040	LT30 or LB30	LT36 or LB36
PM250	-	-	120	2.1	8.0	250	7" RD	356NDK	B08087922	B08999040	LT30 or LB30	LT36 or LB36
-	PM44WW	PM44BL	120	4	5.5	410	3¼" x 10"	355NDK	R610080	R610081	-	-
-	PM25WW	PM25BL	120	2.5	7	250	7" RD	354NDK	R610027	R610049z	-	-

* Includes charcoal filter. Some duct work is required for non-ducted applications.





64000 shown with optional backsplash.



RM60000 shown with optional soffit chimney and backsplash.

RM60000 Standard Filter



Backsplash features fold-down shelves. Fold up to store your favorite condiments; fold down to keep side dishes warm underneath infrared warming lamps.



The professional look is completed with optional baffle filters and a backsplash.

Baffle filters are constructed of heavy gauge stainless steel for optimum performance and a lasting appearance.

Broan Elite 64000

Rangemaster

A professional look, a sensible choice.
A perfect fit beneath kitchen cabinets.

- Durable, heavy-gauge steel construction.
- 2 or 3, 50-watt halogen lamps for multi-level cooktop lighting (bulbs not included).
- Two 175-watt infrared food warming lamps (not included).
- Heat Sentry™ detects excessive heat and adjusts blower speed to high automatically.
- Infinite-speed control with blower memory “remembers” last setting used.
- Designed to duct out of the hood shell in either horizontal or vertical direction with internal blowers. External blowers duct vertically.
- Must be ducted to the exterior.

Broan Elite RM60000

Rangemaster

Professional features, premium performance. Durable, heavy-gauge, double-wall steel construction.

- Easy-to-clean interior; no sharp edges.
- Three 50-watt halogen lights for multi-level cooktop lighting (bulbs not included).
- Two 250-watt infrared food warming lamps keep side dishes warm while you finish preparing others (bulbs not included).
- Heat Sentry™ detects excessive heat and adjusts blower speed to high automatically.
- Infinite-speed control with blower memory “remembers” last setting used.
- Designed to duct out of the hood shell in either horizontal or vertical direction with any optional blower.
- Must be ducted to the exterior.

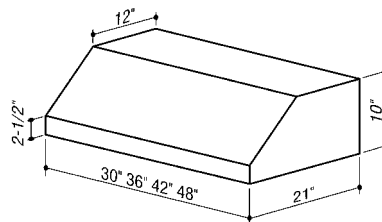
Broan Elite Options

Adapt to any installation. Quality Broan Elite options let you create a custom look.

- Restaurant-quality stainless steel backsplash with fold-down shelves designed for use with RM60000 & 64000 infrared food-warming system. Completes the commercial look and is easy to clean.
- Optional matching soffit chimney on the RM60000 extends the commercial look in kitchens with ceilings up to 8 feet high.
- Optional baffle filters on RM60000 and 64000.

Ten HVI certified, ducted blower options

INTERNAL		EXTERNAL*			
CFM (H/V)	Model	EXTERIOR CFM	Model	IN-LINE CFM	Model
900/850	P8**	1500	336	1100	HLB11
500/460	P5	1200	335	800	HLB9
		900	332H	600	HLB6
		600	331H	280	HLB3



NOTE: Purchase blower separately. See pages 42 and 43.
 * External blower models require Rough-In Kit model 332KR.
 ** Not for use with 30" hood.

Range Hood Specifications

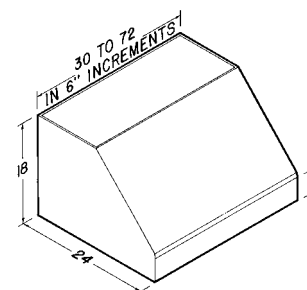
WIDTH	STAINLESS STEEL	WHITE	BLACK	LAMPS* HALOGEN	HEAT*	VOLTS	AMPS**	ALUMINUM FILTER	BAFFLE FILTER
30"	643004	643001	643023	Qty. 2	Qty. 2	120	3.8	Included	RBF30
36"	643604	643601	643623	Qty. 2	Qty. 2	120	3.8	Included	RBF36
42"	644204	644201	644223	Qty. 3	Qty. 2	120	4.2	Included	RBF42
48"	644804	644801	644823	Qty. 3	Qty. 2	120	4.2	Included	RBF48

* Lamps not included. Halogen are 50 watt, PAR 20; heat lamps are 175 watt, infrared PAR 38.
 + Optional backsplash is recommended when using infrared heat lamps.
 ++ Hood amps without blower; for total system amps combine hood and blower amps.

Options & Accessories

Ten HVI certified, ducted blower options

INTERNAL		EXTERNAL*			
CFM	Model	EXTERIOR CFM	Model	IN-LINE CFM	Model
1200	RM326H	1500	336	1100	HLB11
600	RM325H	1200	335	800	HLB9
		900	332H	600	HLB6
		600	331H	280	HLB3



NOTE: Purchase blower separately. See pages 42 and 43.
 * External blower models require Rough-In Kit model 332KR.

Range Hood Specifications

WIDTH	STAINLESS STEEL	WHITE	BLACK	LAMPS* HALOGEN	HEAT*	VOLTS	AMPS**	ALUMINUM FILTER	BAFFLE FILTER
30"	RM603004	RM603001	RM603023	Qty. 3	Qty. 2	120	5.4	Included	RBF6030
36"	RM603604	RM603601	RM603623	Qty. 3	Qty. 2	120	5.4	Included	RBF6036
42"	RM604204	RM604201	RM604223	Qty. 3	Qty. 2	120	5.4	Included	RBF6042
48"	RM604804	RM604801	RM604823	Qty. 3	Qty. 2	120	5.4	Included	RBF6048
54"	RM605404	—	—	Qty. 3	Qty. 2	120	5.4	Included	RBF6054
60"	RM606004	—	—	Qty. 3	Qty. 2	120	5.4	Included	RBF6060
66"	RM606604	—	—	Qty. 3	Qty. 2	120	5.4	Included	RBF6066
72"	RM607204	—	—	Qty. 3	Qty. 2	120	5.4	Included	RBF6072

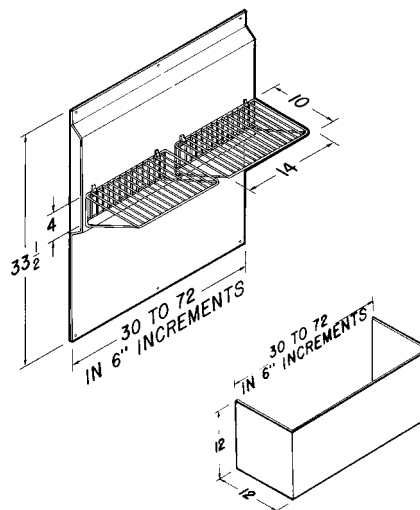
* Lamps not included. Halogen are 50 watt, PAR 20; heat lamps are 250 watt, infrared BR40.
 + Optional backsplash is recommended when using infrared heat lamps.
 ++ Hood amps without blower; for total system amps combine hood and blower amps.

Options & Accessories

Options Selection Table

WIDTH	RM60000 & 64000 BACKSPASH	RM60000 SERIES SOFFIT CHIMNEY			64000 BAFFLE FILTERS	RM60000 BAFFLE FILTERS
	STAINLESS STEEL	STAINLESS STEEL	WHITE	BLACK	STAINLESS STEEL	STAINLESS STEEL
30"	RMP3004*	RMN3004	RMN3001	RMN3023	RBF30	RBF6030
36"	RMP3604*	RMN3604	RMN3601	RMN3623	RBF36	RBF6036
42"	RMP4204*	RMN4204	RMN4201	RMN4223	RBF42	RBF6042
48"	RMP4804*	RMN4804	RMN4801	RMN4823	RBF48	RBF6048
54"	RMP5404	RMN5404	—	—	NA	RBF6054
60"	RMP6004	RMN6004	—	—	NA	RBF6060
66"	RMP6604	RMN6604	—	—	NA	RBF6066
72"	RMP7204	RMN7204	—	—	NA	RBF6072

* Works with 64000 Series.



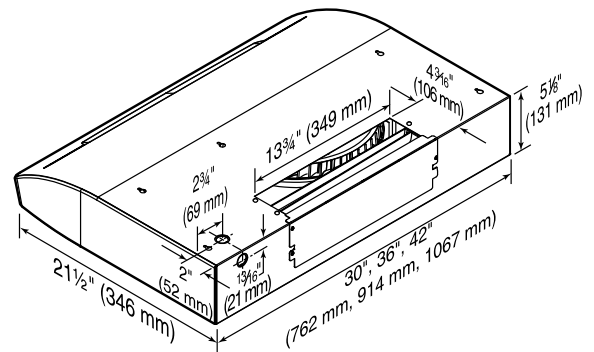
RM60000 Series



Broan Elite E661

Ultra Quiet Performance. The clean, smooth design of this range hood fits snugly under cabinets and provides quiet and effective ventilation.

- <0.3 sones at normal speed.
- Enclosed stainless steel bottom with dishwasher-safe stainless steel filter with easy release latches.
- Fully enclosed filter bottom.
- Brilliant dual 50-watt halogen lighting (GU10 bulbs not included).
- Three-level light settings with last setting memory and transitional theater style lighting. Intensities change gradually.
- Large recessed bottom filter area increases capture.
- 600 CFM internal blower (3¼" x 14" duct, convertible to horizontal or vertical discharge).
- Three-speed plus boost with last setting memory and 5-minute delay off feature.
- Heat Sentry™ detects excessive heat and adjusts blower speed to high automatically.

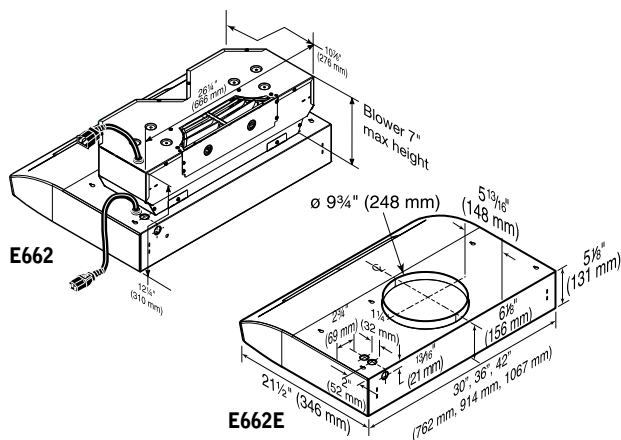


Range Hood Specifications

WIDTH	STAINLESS STEEL	WHITE	BLACK	BLOWER	VOLTS	AMPS	NORMAL+ SETTING CFM/SONES	HIGH+ SETTING CFM/SONES	BOOST+ MODE CFM/SONES	DUCT*
30"	E66130SS	E66130WH	E66130BL	Internal	120	2.4	120/0.4	290/2.5	550/8.5	3¼" x 14"
36"	E66136SS	E66136WH	E66136BL	Internal	120	2.4	120/0.4	290/2.5	550/8.5	3¼" x 14"
42"	E66142SS	-	-	Internal	120	2.4	120/0.4	290/2.5	550/8.5	3¼" x 14"

* Optional accessory, T461 Adapter 3¼" x 14" to 3¼" x 10" (will reduce CFM a minimum of 100 CFM).

* Performance levels are for vertical discharge (horizontal boost 600 CFM).



Broan Elite E662/E662E

Classic style, high performance. Homeowners will appreciate the high style and modern convenience of this ultra-quiet range hood that makes cleaning easier than ever.

- Quiet 0.3 sones at normal speed. (E662)
- Enclosed stainless steel bottom with dishwasher-safe stainless steel filter with easy release latches.
- Smooth glass-look I-Control™ senses the touch of finger without moving parts.
- Brilliant dual 50-watt halogen lighting (GU10 bulbs not included).
- Three-level light settings with last memory setting and transitional theater style; nightlight setting.
- E662 890 CFM Internal cabinet blower or E662E with choice of External blowers up to 1500 CFM.
- Large recessed bottom filter area increases capture.
- Three-speed control with boost memorizes last setting. Variable delay off—choice of 5-, 10-, 15- or 20-minute intervals.
- Heat Sentry™ detects excessive heat and adjusts blower speed to high automatically.



E662E* Range Hood Specifications

WIDTH	STAINLESS	WHITE	BLACK	BLOWER	VOLTS	AMPS	CFM	DUCT
30"	E662E30SS	E662E30WH	E662E30BL	External	120	2.4	—	10" round (V)
36"	E662E36SS	E662E36WH	E662E36BL	External	120	2.4	—	10" round (V)
42"	E662E42SS	—	—	External	120	2.4	—	10" round (V)

* External blowers (see chart on right) sold separately. See pages 42 and 43.

E662 Range Hood Specifications**

WIDTH	STAINLESS	WHITE	BLACK	BLOWER	VOLTS	AMPS	CFM RANGE	DUCT
30"	E66230SS	E66230WH	E66230BL	Internal	120	2.4	160 – 890	3 1/4" x 14"
36"	E66236SS	E66236WH	E66236BL	Internal	120	2.4	160 – 890	3 1/4" x 14"
42"	E66242SS	—	—	Internal	120	2.4	160 – 890	3 1/4" x 14"

* Optional accessory, T461 Adapter 3 1/4" x 14" to 3 1/4" x 10" (will reduce CFM a minimum of 100 CFM).

** Sound level: normal 0.3 sones at 180 CFM (vertical duct). See page 47 for all ratings.

E662E External Blowers

MODEL	DESCRIPTION
331H	600 CFM Exterior
332H	900 CFM Exterior
335	1200 CFM Exterior
336	1500 CFM Exterior
HLB3	280 CFM In-line
HLB6	600 CFM In-line
HLB9	800 CFM In-line
HLB11	1100 CFM In-line

890 CFM Integrated Cabinet Blower System

- Low profile blower requires only 6 1/2" of cabinet space.
- Fits framed or frameless cabinets.
- Horizontal or vertical duct attachment.



QS3 Series (Allure III)

For unparalleled style, quiet, ease of operation and performance.

The ultimate Allure model, combines features like three-speed electronic control plus boost-speed mode, delay-off and filter cleaning reminder. For the first time anywhere, you can have the easy cleaning of DuPont Teflon® in a range hood.



Deluxe glass-look finish, in matching colors. LED indicators for each speed.



QS2 Series (Allure II)

Sets new standard for style, quiet and ease of cleaning.

The Allure II provides the style and performance you demand and with DuPont Teflon®, the easy clean-up you want.



Matte finish in matching color. LED indicators for each speed.



QS1 Series (Allure I)

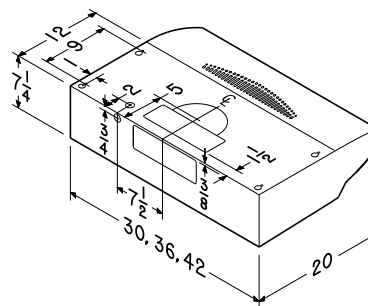
The new benchmark in style and value.

The quietest range hood in its category, with revolutionary performance and the brilliance of halogen lighting. This isn't anything like your Mom's range hood; it's the one she wished for.



Rocker controls and nameplate in matching matte colors.

- Ultra quiet 0.4 sones at normal speed; extra powerful 430 CFM boost.
- Easy-to-clean DuPont Teflon® bottom pan; fully enclosed design.
- Professional style filters; dishwasher-safe.
- Three-level light settings; dual halogen lamp design (bulbs not included).
- Advanced Heat Sentry™ detects excessive heat and adjusts hood speed for proper ventilation.



Range Hood Specifications

Range Hood Specifications						Accessories	
WIDTH	WHITE	BISQUE/BISCUIT	ALMOND	BLACK	STAINLESS STEEL	NON-DUCTED FILTER	7" ROUND DAMPER
30"	QS330WW	QS330BC	QS330AA	QS330BL	QS330SS	BPSF30	BP87
36"	QS336WW	QS336BC	QS336AA	QS336BL	QS336SS	BPSF36	BP87
42"	QS342WW	QS342BC	QS342AA	QS342BL	QS342SS	BPSF42	BP87

Charcoal filters (not included) are required for non-ducted applications.

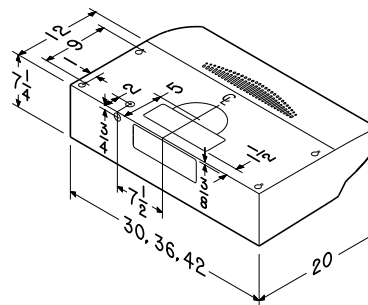
VOLTS	AMPS	SONES NORMAL SETTING	SONES HIGH SETTING	CFM BOOST MODE	DUCT
120	3	0.4*	4.5*	430*	3¼" x 10" OR 7" RD

* Normal setting: 100 CFM, High setting: 300 CFM, sones at Boost: 8.0. Halogen lamps: PAR20 flood (not included).

Flexible options for any installation

- Four-way convertibility 3¼" x 10" (horizontal and vertical), 7" round (vertical) and non-ducted. (Non-ducted Clean Sense™ filters purchased separately.)
- Includes 3¼" x 10" damper/adaptor.

- Very quiet 0.9 sones at normal speed; powerful 300 CFM at high setting.
- Easy-to-clean DuPont Teflon® bottom pan, fully enclosed design.
- Micro-mesh filters, dishwasher-safe.
- Three-level light settings; dual halogen lamp design (bulbs not included).
- Three-speed electronic control.
- Heat Sentry™ detects excessive heat and adjusts blower speed to high automatically.



Range Hood Specifications

Range Hood Specifications						Accessories	
WIDTH	WHITE	BISQUE/BISCUIT	ALMOND	BLACK	STAINLESS STEEL	NON-DUCTED FILTER	7" ROUND DAMPER
30"	QS230WW	QS230BC	QS230AA	QS230BL	QS230SS	BPSF30	BP87
36"	QS236WW	QS236BC	QS236AA	QS236BL	QS236SS	BPSF36	BP87
42"	QS242WW	QS242BC	QS242AA	QS242BL	QS242SS	BPSF42	BP87

Charcoal filters (not included) are required for non-ducted applications.

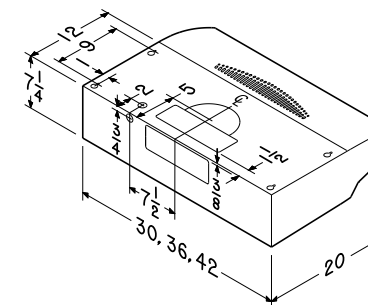
VOLTS	AMPS	SONES NORMAL SETTING	SONES HIGH SETTING	CFM HIGH	DUCT
120	2	0.9	4.5	300	3¼" x 10" OR 7" RD

Halogen lamps: PAR20 flood (not included).

Flexible options for any installation

- Four-way convertibility 3¼" x 10" (horizontal and vertical), 7" round (vertical) and non-ducted. (Non-ducted Clean Sense™ filters purchased separately.)
- Includes 3¼" x 10" damper/adaptor.

- Quiet 1.5 sones at normal speed, 220 CFM at high setting.
- Fully enclosed design for easy cleaning.
- Standard large filters, dishwasher-safe.
- Two-level light setting; dual halogen lamp design (bulbs not included).
- Two-speed contoured rocker switch control.



Range Hood Specifications

Range Hood Specifications						Accessories	
WIDTH	WHITE	BISQUE/BISCUIT	ALMOND	BLACK	STAINLESS STEEL	NON-DUCTED FILTER	7" ROUND DAMPER
30"	QS130WW	QS130BC	QS130AA	QS130BL	QS130SS	BPSF30	BP87
36"	QS136WW	QS136BC	QS136AA	QS136BL	QS136SS	BPSF36	BP87
42"	QS142WW	QS142BC	QS142AA	QS142BL	QS142SS	BPSF42	BP87

Charcoal filters (not included) are required for non-ducted applications.

VOLTS	AMPS	SONES NORMAL SETTING	SONES HIGH SETTING	CFM HIGH	DUCT
120	1.8	1.5	5.0	220	3¼" x 10" OR 7" RD

Halogen lamps: PAR20 flood (not included).

Flexible options for any installation

- Four-way convertibility 3¼" x 10" (horizontal and vertical), 7" round (vertical) and non-ducted. (Non-ducted Clean Sense™ filters purchased separately.)
- Includes 3¼" x 10" damper/adaptor.



Broan AP1 & RP1 Series

Presenting Broan's newest pro-style hoods.

Never before have appearance and value come together so elegantly.

Features common to both models:

- Brushed stainless steel, black, and white finish options
- 9" Pro-style hood height for excellent capture
- Hidden controls
- 30" and 36" widths available
- Internal 440 CFM centrifugal blower
- Two-level dual 50-watt halogen lighting (GU10 bulbs purchased separately)
- Heat Sentry™ is a smart feature that detects excessive heat and adjusts speed to high automatically

AP1 features:

- Dishwasher-safe micromesh filters have a special coating to keep the filters looking new over repeated cleanings, and exclusive Microban® protection.
- Variable speed blower control
- Non-duct recirculation kit available with charcoal filters

RP1 features:

- Dishwasher-safe micromesh filters
- Two-speed blower control

Range Hood Specifications

SERIES	WIDTH	FINISH			VOLTS	AMPS	CFM		SONES		DUCT
		STAINLESS STEEL	WHITE	BLACK			High/Low	High/Low	High/Low	High/Low	
AP1	30"	AP130SS	AP130WW	AP130BL	120	7.0	440/120	7.0/0.5	3¼"x10"		
	36"	AP136SS	AP136WW	AP136BL	120	7.0	440/120	7.0/0.5	3¼"x10"		
RP1	30"	RP130SS	RP130WW	RP130BL	120	7.0	440/120	7.0/0.5	3¼"x10"		
	36"	RP136SS	RP136WW	RP136BL	120	7.0	440/120	7.0/0.5	3¼"x10"		

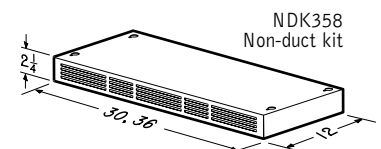
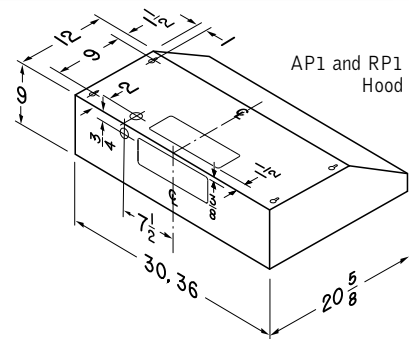
AP1 Options and Accessories

Non-duct Recirculation Kit	Non-ducted Filter
NDK358	88F



New exclusive feature from Broan combines Microban® antimicrobial protection with our advanced AP1 mesh filters for unsurpassed benefits:

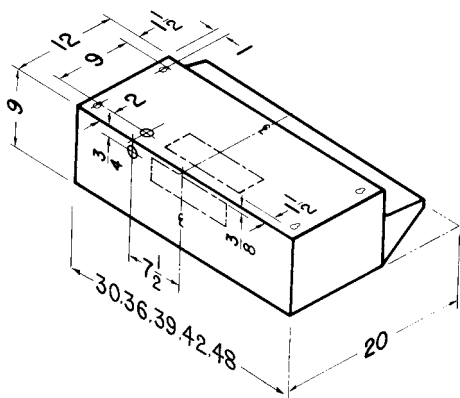
- Microban inhibits the growth of odor causing bacteria so filters stay fresher longer.
- Microban protects the filter so it stays cleaner in between cleanings.



Broan 88000 Series

A simply elegant approach to ventilation.

- Infinite speed slide control with blower memory feature that saves last settings.
- Powerful, quiet 360 CFM, 5.5 sones (vertical discharge) or 350 CFM, 6.0 sones (horizontal discharge) performance, HVI Certified.
- Heat Sentry™ detects excessive heat and adjusts blower speed to high automatically.
- Convertible to ducted or non-ducted operation. Includes 3¼" x 10" damper/ adapter (non-ducted filter sold separately).
- Accepts two 75-watt bulbs (not included).



Range Hood Specifications

Range Hood Specifications							Optional Accessory
SIZE	WHITE	BISQUE/BISCUIT	ALMOND	BLACK	STAINLESS STEEL	WHITE MONOCHROMATIC	NON-DUCTED FILTER
30"	883001	883002	883008	883023	883004	883011	97007662
36"	883601	—	883608	883623	883604	—	88F
39"	883901*	—	—	—	883904*	—	—
42"	—	—	—	—	884204	—	—
48"	884801*	—	—	884823	884804	—	—

*Special order models, allow three weeks for order.

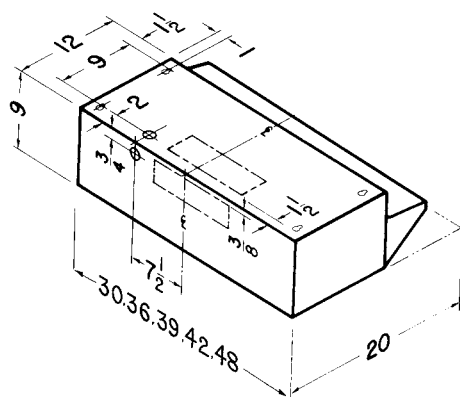
VOLTS	AMPS	SONES		CFM		DUCT
		VER.	HOR.	VER.	HOR.	
120	4.5	5.5	6.0	360	350	3¼" x 10"



Broan 89000 Series

Contemporary lines for a one-of-a-kind kitchen. Clean lines complement the contemporary kitchen or boldly contrast the flowing styles of more traditional settings.

- Higher capacity; developed specifically for use with today's cooktop grills up to 14,000 BTUs.
- 460 CFM, 6.0 sones (vertical discharge) or 440 CFM, 7.0 sones (horizontal discharge) performance, HVI Certified.
- Infinite speed slide control with blower memory feature that saves last settings.
- Standard Heat Sentry™ detects excessive heat and adjusts blower speed to high automatically.
- Designed for either vertical or horizontal ducting. Includes 3¼" x 10" damper/adapter.
- Accepts two 75-watt bulbs (not included).



Range Hood Specifications – Special Order Only

WIDTH	WHITE	BLACK	STAINLESS STEEL	WHITE MONOCHROMATIC
30"	893001	893023	893004	893011
36"	893601	893623	893604	—
39"	893901	—	893904	—
42"	894201	894223	894204	—
48"	894801	—	894804	—

Special order. Allow 3 weeks for delivery.

VOLTS	AMPS	SONES		CFM		DUCT
		VER.	HOR.	VER.	HOR.	
120	6.0	6.0	7.0	460	440	3¼" x 10"



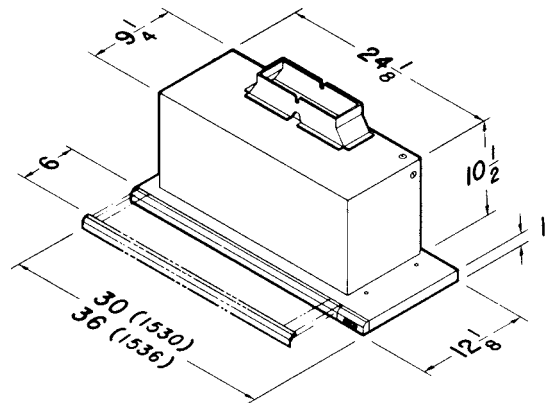


Broan Elite 15000

Silhouette

Slides out of sight when not in use. This slimline design merges perfectly with the style of any kitchen. The unseen advantages include quiet, powerful ventilation performance.

- Compact, trim styling complements any kitchen.
- Fan and light automatically turn on when you slide out the clear glass visor; shut off when pushed in.
- Energy-efficient, 24" fluorescent light with prismatic glass lens provides bright, even cooktop lighting (bulb not included).
- Dual centrifugal blower, 300 CFM, at a quiet 4.5 sones, HVI Certified.
- Infinitely adjustable blower control conveniently located up front; features blower memory – when activated, unit automatically “remembers” the last setting you selected.
- Exclusive Heat Sentry™ detects excessive heat and adjusts blower speed to high automatically.
- Includes 3¼" x 10" duct adapter with built-in damper.



Allow 18" minimum from cooking surface to bottom of hood.



Range Hood Specifications

WIDTH	WHITE BISQUE/BISCUIT	BLACK	STAINLESS*
30"	153001 153002	153023	153004
36"	153601 153602	153623	153604

* Brushed aluminum material.

VOLTS	AMPS	SONES	CFM	DUCT	BULB**
120	3.7	4.5	300	3¼" x 10" (vert.)	F20T12

** Bulb not included.



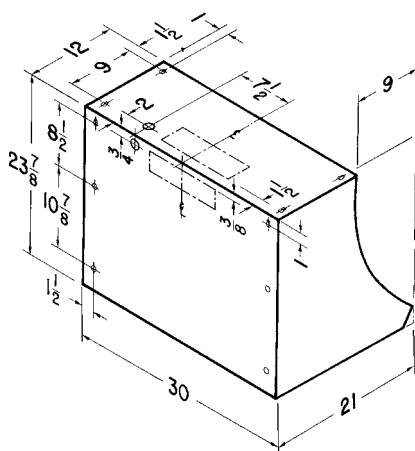
Broan 11000

Alpine

A warm "heart-of-the-home" look.

The unique style of this canopy hood adds old world charm to any kitchen decor. Ventilating performance is enhanced by the large canopy and optimum blower design, making it an exceptional value.

- Bright cooktop lighting with your choice of 100-watt bulb or 150-watt flood lamp (lamps sold separately).
- Textured, hammered finish in White, Almond or Black.
- 190 CFM/6.0 sone (vertical discharge) or 200 CFM/6.5 sone (horizontal discharge) performance, HVI Certified.
- Convertible to ducted (vertical or horizontal) or non-ducted operation (non-ducted filter sold separately).
- Includes 3 1/4" x 10" duct adapter with built-in damper.



Range Hood Specifications

WIDTH	HAMMERED WHITE	HAMMERED ALMOND	HAMMERED BLACK*	Accessory NON-DUCTED FILTER
30"	113036	113042	113035	41F

VOLTS	AMPS	SONES VER. HOR.	CFM VER. HOR.	DUCT
120	3	6.0 6.5	190 200	3 1/4" x 10"

* Special order; allow three weeks for order.

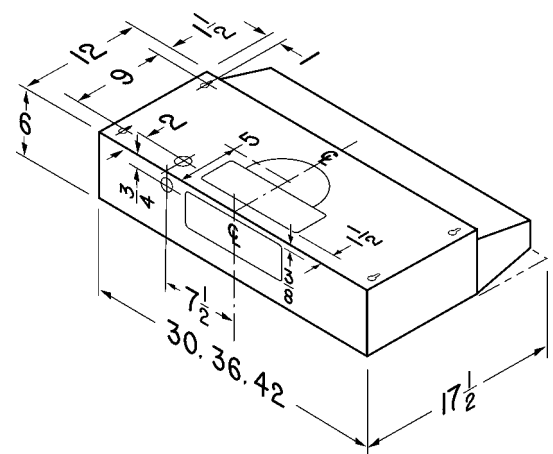


Broan QT20000

Combines modern styling and quiet operation. Research shows that most people use their range hood less frequently because of loud fan noise. That's why the QT hood was developed.

- Patented air chamber design reduces noise up to 40 percent over conventional hoods; 200 CFM, 4.5 sones (vertical discharge), HVI Certified.
- Convertible versatility. Installs as 3 3/4" x 10" (vertical or horizontal), 7" round (vertical) or non-ducted (non-ducted filter sold separately).
- Infinitely adjustable, rotary speed control.
- Larger filter area captures steam and odors.
- Dual 40-watt lamps increase light distribution; nightlight feature adds safety (lamps not included).
- Includes 3 3/4" x 10" damper/adaptor and 7" round adapter.
- 7" round damper optional.
- BP87 damper sold separately.

VOLTS	AMPS	SONES	VER. CFM	DUCT
120	1.7	4.5	200	3 3/4" x 10" OR 7" RD



Range Hood Specifications

WIDTH	WHITE MONOCHROMATIC	BISQUE/BISCUIT MONOCHROMATIC	ALMOND MONOCHROMATIC	BLACK	STAINLESS STEEL	NON-DUCTED FILTER	7" ROUND DAMPER
30"	QT230WW	QT230BC	QT230AA	QT230BL	QT230SS	BPQTF	BP87
36"	QT236WW	QT236BC	QT236AA	QT236BL	QT236SS	BPQTF	BP87
42"	QT242WW	QT242BC	QT242AA	QT242BL	QT242SS	BPQTF	BP87

Options & Accessories



Broan 43000/F40000

Adapt to any installation. These 4-way convertible range hoods will fit into most all applications. Enclosed light and fan/filter assemblies make for easy cleaning.

43000 Series

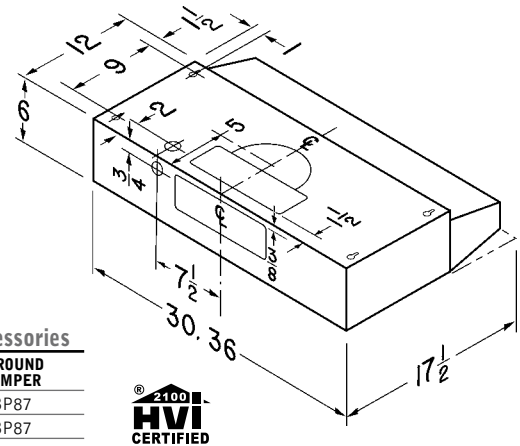
- Features enclosed light and fan/filter assembly for easy clean-up.
- Two-speed, rocker-type fan control.
- Powerful 190 CFM, 7.0 sone (3¼" x 10" vertical discharge) or 220 CFM, 8.0 sone (7" round discharge) performance.
- Bright 75-watt light (bulb not included).
- Includes 3¼" x 10" damper/adaptor and built-in 7" round adapter.
- 7" round damper optional.
- BP87 dampers sold separately.

43000 Specifications

VOLTS	AMPS	SONES	VER. CFM	DUCT
120	1.8	7	190	3¼" x 10"
		8	220	or 7" RD

Options & Accessories

WIDTH	WHITE MONOCHROMATIC	BISQUE/BISCUIT MONOCHROMATIC	ALMOND MONOCHROMATIC	STAINLESS STEEL	BLACK	CHARCOAL FILTER	7" ROUND DAMPER
30"	433011	433022	433018	433004	433023	BP58	BP87
36"	433611	433622	433618	433604	433623	BP58	BP87

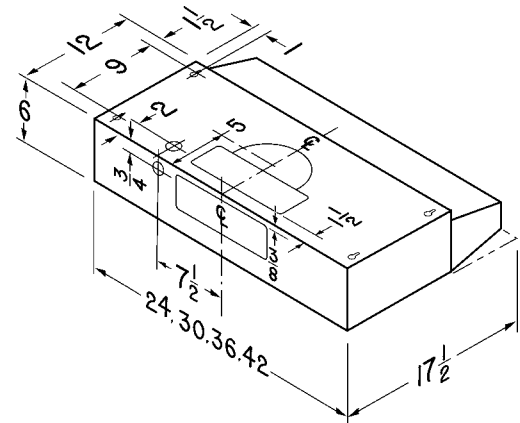


F40000 Series Convertible Range Hoods

- Four-way convertible; installs ducted 3¼" x 10" (vertical and horizontal), 7" round (vertical) and non-ducted (non-ducted filter sold separately).
- 160 CFM, 6.5 sone (3¼" x 10" discharge) or 190 CFM (7" round discharge) performance – HVI Certified.
- Dishwasher-safe aluminum grease filter.
- Includes 3¼" x 10" damper/adaptor and 7" round adapter.
- 7" round damper optional.
- BP87 dampers sold separately.

F40000 Specifications

VOLTS	AMPS	SONES	CFM	DUCT
120	2.5	6.5	160	3¼" x 10"
		6.5	190	or 7" RD



Options & Accessories

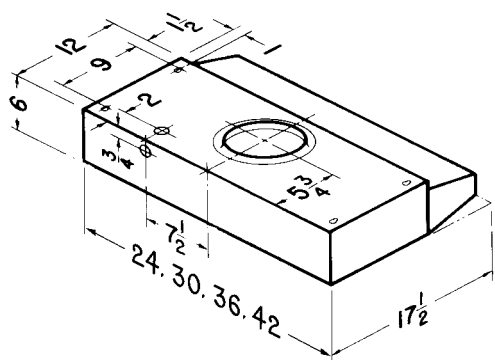
WIDTH	WHITE MONOCHROMATIC	BISQUE/BISCUIT MONOCHROMATIC	ALMOND MONOCHROMATIC	STAINLESS STEEL	BLACK	WHITE MONOCHROMATIC	BISQUE/BISCUIT MONOCHROMATIC	NON-DUCTED FILTER	7" ROUND DAMPER
24"	F402401	F402402	F402408	F402404	—	F402411	F402422	41F	BP87
30"	F403001	F403002	F403008	F403004	F403023	F403011	F403022	41F	BP87
36"	F403601	F403602	F403608	F403604	F403623	F403611	F403622	41F	BP87
42"	F404201	F404202	F404208	F404204	F404223	F404211	F404222	41F	BP87





Broan 42000/40000

Made to exacting standards. Broan range hoods provide the high quality you expect and the value you demand.



42000 Specifications

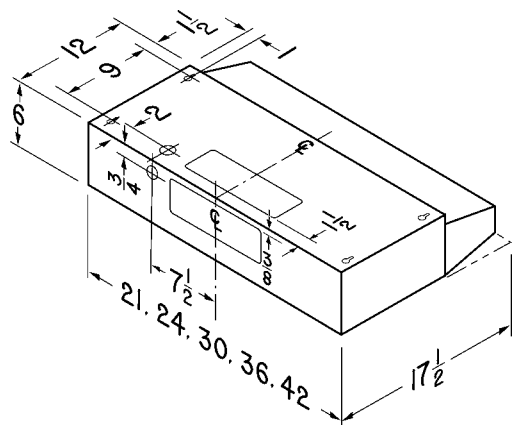
VOLTS	AMPS	SONES	CFM	DUCT
120	2.5	6	190	7" RD

42000 Series

- Installs as 7" round ducted only.
- 190 CFM, 6.0 sone (vertical discharge) performance.
- Dishwasher-safe aluminum grease filter.
- Accepts up to 75-watt light (bulb sold separately).
- Built-in 7" adapter included.
- BP87 damper sold separately.

42000 Series 7" Round Ducted

WIDTH						Optional Accessory
	WHITE MONOCHROMATIC	BISQUE/BISCUIT	ALMOND	STAINLESS STEEL	BLACK	7" ROUND DAMPER
24"	422401	422402	422408	422404	—	BP87
30"	423001	423002	423008	423004	423023	BP87
36"	423601	423602	423608	423604	423623	BP87
42"	424201	424202	424208	424204	—	BP87



40000 Specifications

VOLTS	AMPS	SONES	CFM	DUCT
120	2.0	6.5	160	3 1/4" x 10"

40000 Series

- Installs as 3 1/4" x 10" ducted only.
- 160 CFM, 6.5 sone (vertical or horizontal discharge) performance.
- Dishwasher-safe aluminum grease filter.
- Accepts up to 75-watt light (bulb sold separately).
- Duct connector with built-in damper included.

40000 Series 3 1/4" x 10" Ducted

WIDTH					
	WHITE MONOCHROMATIC	BISQUE/BISCUIT	ALMOND	STAINLESS STEEL	BLACK
21"	402101	402102	402108	—	—
24"	402401	402402	402408	402404	—
30"	403001	403002	403008	403004	403023
36"	403601	403602	403608	403604	403623
42"	404201	404202	404208	—	—

37000 Series 6" Shell Only (Utilizes 40000 Series shell, but contains no fan, light or switch knock-outs)

WIDTH				
	WHITE	BISQUE/BISCUIT	ALMOND	STAINLESS STEEL
24"	372401	—	372408	—
30"	373001	373002	373008	373004
36"	373601	—	—	373604

Note: The 37000 Series has no fan, light, switches, or knock-outs for electrical or ducting.



Model 413001

Broan 41000 (Non-Ducted Only)

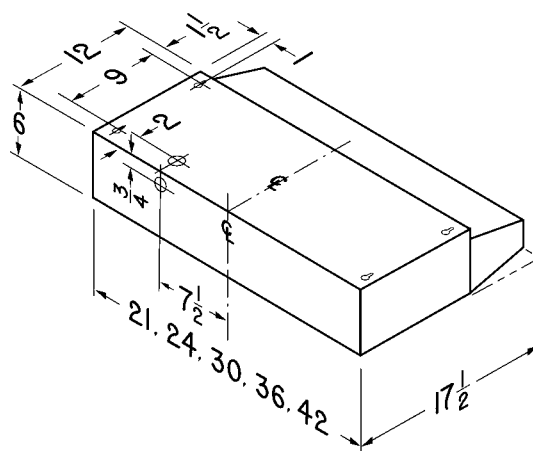
Made to exacting standards. Broan range hoods provide the high quality you expect and the value you demand.

- Installs as non-ducted only with charcoal filter.
- Accepts up to 75-watt light (bulb sold separately).

Range Hood Specifications (Non-Ducted Only)

Range Hood Specifications (Non-Ducted Only)						Accessory
WIDTH	WHITE MONOCHROMATIC	BISQUE/BISCUIT	ALMOND	STAINLESS STEEL	BLACK	CHARCOAL FILTER
21"	412101	412102	412108	—	—	41F
24"	412401	412402	412408	412404	—	41F
30"	413001	413002	413008	413004	413023	41F
36"	413601	413602	413608	413604	413623	41F
42"	414201	414202	414208	414204	—	41F

VOLTS	AMPS	SONES	CFM	DUCT
120	2.0	N/A	N/A	Non-Ducted

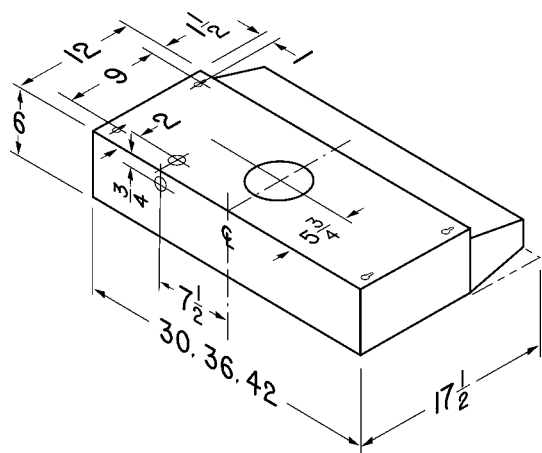




Model 523001

Broan 52000

Economy Series. Designed to meet the needs of manufactured housing.



- Installs as 5" round (vertical) ducted only.
- Two-speed fan control.
- Accepts up to 75-watt bulb (bulb not included).
- Requires BP85 damper/adaptor (purchased separately).
- Washable aluminum filter.
- Mitered sides and hemmed bottom for safety and good looks.
- 5" round damper optional.



Range Hood Specifications				Accessory
WIDTH	WHITE MONOCHROMATIC	BISQUE/BISCUIT	ALMOND	DAMPER/ADAPTER
30"	523001	523002	523008	BP85
36"	523601	—	—	BP85
42"	524201	—	—	BP85

VOLTS	AMPS	SONES	CFM	DUCT
120	2	8.0	100	5" RD

Decorative Backsplashes



A beautiful focal point for your kitchen.

Broan makes it easy to add drama and function to your kitchen. And all you need are a few simple tools.

Our pre-assembled backsplashes in natural stone or porcelain let you go from the box to beautiful in just ten minutes! But it's not just the appearance that you'll fall in love with. You also get the scratch and stain-resistance of real tile, along with the one-of-a-kind surface that only tile can provide. What's more, our patented wall-hugging system holds your backsplash so securely, everyone will think it's permanently installed—a smart choice that will impress your visitors. Enjoy the elegance of real tile with the convenience you expect from Broan.

Designed for Limited Space Applications

Our 30" x 14"* models will fit in a 30" wide space, requiring only 14" of space top to bottom.



Tuscany Model TLTB3014, 30" x 14"

Designed for 30" wide Cook-top or Range Installation

Our 30" x 20"* models will fit in a 30" wide space and require at least 20" of space top to bottom. If paired with a range featuring a raised control panel, simply allow the bottom of the backsplash to slide behind the panel exposing the top.



Tuscany Model TLTB3020, 30" x 20"

Designed for 36" wide Cook-top or Range Installation

Our 36" x 20"* models will fit in a 36" wide space and require at least 20" of space top to bottom.



Tuscany Model TLTB3620, 36" x 20"



36" Model TLTB3620

Tuscany

Add a touch of romance to your kitchen! This porcelain backsplash with a rich pewter-tone, still-life centerpiece sets the perfect mood. The neutral tones of the porcelain tile complements almond, bisque/ biscuit, black or stainless appliances.

*Actual dimensions are slightly less to ensure fit.



30" Model TLG3020

Gourmet

Set in a field of tumbled marble, a stainless steel coffee pot, a glass wine bottle and three utensils create this beautiful backdrop to add drama and focus to your cooking area. Brushed aluminum frame.



36" Model TLS3620

Spatola

Three stainless cooking utensils appear to hang over your range in this beautiful tumbled marble backsplash featuring timeless, neutral tones and inlaid stainless accents. Brushed aluminum frame.



30" Model TLCL3020

Classico

Tumbled marble combined with rich stainless steel accents of classic coffee and tea pot reliefs instantly warm up a plain kitchen. Brushed aluminum frame.



Gourmet Model TLG3014, 30" x 14"



Spatola Model TLS3014, 30" x 14"



Classico Model TLCL3014, 30" x 14"



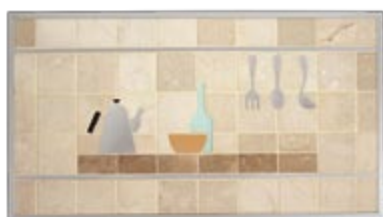
Gourmet Model TLG3020, 30" x 20"



Spatola Model TLS3020, 30" x 20"



Classico Model TLCL3020, 30" x 20"



Gourmet Model TLG3620, 36" x 20"

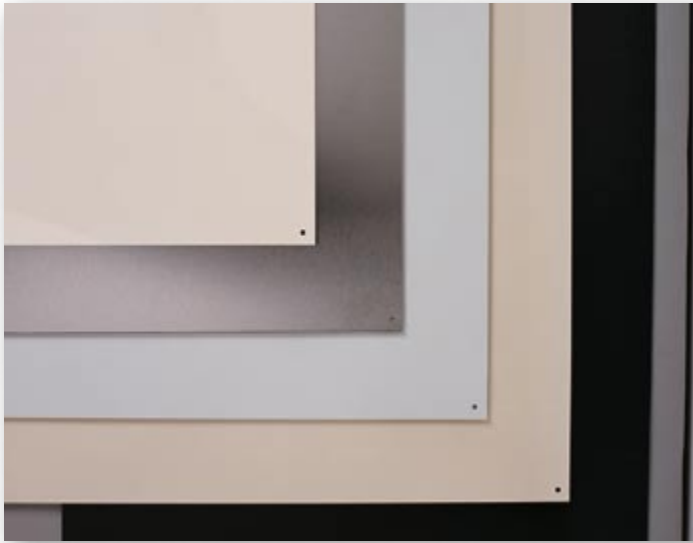


Spatola Model TLS3620, 36" x 20"



Classico Model TLCL3620, 36" x 20"

Broan Accessories



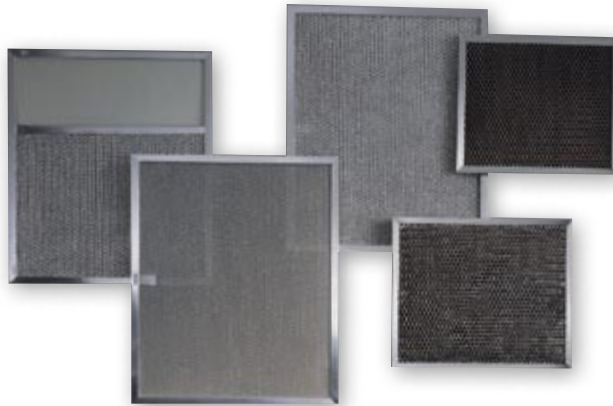
Broan Backsplashes

Help keep your kitchen looking like new with a metal backsplash.

- Provides easy clean-up of cooking splatter.
- Durable finish.
- Attractive, appliance-matching colors:
Reversible White/Almond, Reversible Bisque (Biscuit)/Black.
- Aluminum or 24-gauge stainless steel.
- Available in 24", 30", 36" or 42" widths; all are 24" high.
- Installs easily with four screws.

Backsplash Options

	REVERSIBLE WHITE/ALMOND	STAINLESS STEEL	REVERSIBLE BISQUE (BISCUIT)/BLACK
24"	SP240108	SP2404	SP240223
30"	SP300108	SP3004	SP300223
36"	SP360108	SP3604	SP360223
42"	SP420108	SP4204	SP420223

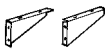




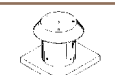
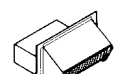






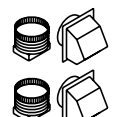







Retail Replacement Filter Packs









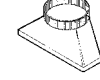
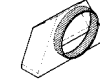

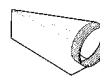

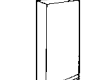

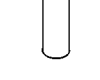


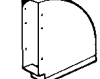


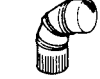


The most popular and commonly used filters are available in consumer-friendly packs. Broan filters are made from the highest quality materials to provide the longest life possible and keep your range hood operating at peak performance. Broan also provides replacement filters for many other brands.

MODEL	DESCRIPTION	TYPE	FITS SERIES
BPSF30	Non-Ducted Filter Set (qty 2) for 30" Allure	Clean Sense™ Charcoal w/ Indicator	QS1, QS2, QS3
BPSF36	Non-Ducted Filter Set (qty 2) for 36" Allure	Clean Sense™ Charcoal w/ Indicator	QS1, QS2, QS3
BPSF42	Non-Ducted Filter Set (qty 2) for 42" Allure	Clean Sense™ Charcoal w/ Indicator	QS1, QS2, QS3
BPS1FA30	Ducted Filter Set (qty 2) for 30" Allure I	Aluminum	QS1
BPS1FA36	Ducted Filter Set (qty 2) for 36" Allure I	Aluminum	QS1
BPS2FA30	Ducted Filter Set (qty 2) for 30" Allure II	Aluminum	QS2
BPS2FA36	Ducted Filter Set (qty 2) for 36" Allure II	Aluminum	QS2
BPS3FA30	Ducted Filter Set (qty 2) for 30" Allure III	Aluminum	QS3
BPS3FA36	Ducted Filter Set (qty 2) for 36" Allure III	Aluminum	QS3
BPQTF	Non-Ducted Filter	Charcoal	QT20000
BPQTAf	Ducted Filter	Aluminum	QT20000
88F	Non-Ducted Filter	Charcoal	88000
76F	Non-Ducted Filter	Charcoal	76000, 75000
41F	Non-Ducted Filter	Charcoal	11000, 41000, F40000, 46000
BP29	Ducted Filter	Aluminum	11000, 40000, F40000, 42000, 46000, 52000
BP58	Non-Ducted Replacement Pack (qty 3)	Charcoal pad	43000
BP57	Ducted Filter with Charcoal Pad	Aluminum with Light Lens	43000
RBF30	Baffle Filter Kit for 30" Broan Elite Hood	Stainless Steel	64000
RBF36	Baffle Filter Kit for 36" Broan Elite Hood	Stainless Steel	64000
RBF42	Baffle Filter Kit for 42" Broan Elite Hood	Stainless Steel	64000
RBF48	Baffle Filter Kit for 48" Broan Elite Hood	Stainless Steel	64000
FILTEREB40	Non-Ducted Filter, Broan Elite	Charcoal	RM50000, RMP17004
FILTER SQUARE	Non-Ducted Filter, Broan Elite	Charcoal	RM51000, RM52000
ROUND FILTER	Non-Ducted Filter, Broan Elite	Charcoal	61000

Ducting Installation Accessories

Stock No.	
	35 Wall Hanging Kit—for mounting hoods to wall when not hung from overhead cabinets. Designed for use with 88,000 46,000 42,000 41,000 40,000 series.
	332KR Rough-In Kit, 10" round duct.
	634 Paintable roof cap with backdraft damper and bird screen; 3¼" x 10" or up to 8" round duct. Black finish.
	644 Aluminum roof cap with backdraft damper and bird screen; 3¼" x 10" or up to 8" round duct. Natural finish.
	437 High-capacity roof cap—up to 1200 CFM exhaust.
	612 Aluminum roof cap for flat roofs, 10" round duct.
	639 Paintable wall cap with backdraft damper and bird screen; 3¼" x 10" duct. Black finish.
	WC638 Paintable wall cap with backdraft damper and bird screen; 3¼" x 14" duct. Black finish.
	649 Aluminum wall cap with backdraft damper and bird screen; 3¼" x 10" duct. Natural finish.
	641 Aluminum wall cap for 6" round duct, with backdraft damper and bird screen.
	647 Aluminum wall cap for 7" round duct, with damper and bird screen.
	643 Aluminum wall cap; 8" round duct with damper.
	441 Wall cap with gravity damper; 13⅞" sq. fits 10" round duct.
	457K Horizontal twin duet kit, for direct horizontal discharge of RM326H Internal blower.
	BP85 5" vertical discharge damper.
	BP87 7" vertical discharge damper.
	97 7" spring-loaded, In-Line damper.
	438 8" round section with In-Line damper.
	421 10" vertical discharge In-Line damper.

HCK44 (10-pack) Electric cord connections kit
SHCK44 (Single-pack) Electric cord connections kit

Stock No.	
	411 3¼" x 10" to 6" round transition.
	412H 3¼" x 10" to 7" round transition.
	T460 3¼" x 14" to 7" round transition.
	413 3¼" x 10" to 8" round transition.
	459 3¼" x 14" to 8" round transition.
	T462 3¼" x 14" to 6" round transition.
	T461 3¼" x 14" to 3¼" x 10" transition.
	414 8" to 10" expander.
	423 Vertical transition; 4½" x 18½" to 10" round.
	424 Rear transition; 4½" x 18½" to 10" round.
	427 Thin wall horizontal transition; 4½" x 18½" to 10" round.
	453 Horizontal left transition; 4½" x 18½" to 10" round (right-end boot).
	454 Horizontal right transition; 4½" x 18½" to 10" round (left-end boot).
	401 3¼" x 10" duct; 2' section.
	406 6" round duct; 2' section.
	407 7" round duct; 2' section.
	410 10" round duct; 2' section.
	428 3¼" x 10" vertical elbow.
	429 3¼" x 10" horizontal elbow.
	430 Short eave elbow for 3¼" x 10" duct with backdraft damper and grill.
	431 Long eave elbow for 3¼" x 10" duct with backdraft damper and grill.
	419 6" adjustable elbow (individual).
	415 7" adjustable elbow (carton of four).
	418 10" adjustable elbow (individual).

External, Exterior Blowers*

Our Exterior blowers offer you powerful ventilation performance at its very quietest, and something you won't find anywhere else—Broan quality.

- Reduce kitchen noise by locating your range hood blower outdoors.
- For use with our professional style Broan Elite RM60000 and 64000 series (332KR Rough-In Kit required), EX Series chimney hoods, downdrafts, RMPE Power Pack and RMIP Inserts.
- Ideal for custom hoods—use the 72W (6 amp variable speed) wall control for remote control of External blowers.
- The 332H is recommended for the Eclipse downdraft.
- Residential design fits unobtrusively on home exterior.
- Durable, weather-resistant, all-aluminum construction that mounts on the roof or outside wall.
- Safety screen keeps small animals and debris away from blower and motor.

Model 331H/332H



All Exterior blowers can be installed on the roof or to an outside wall for the ultimate in quiet, high performance kitchen ventilation.



331H (600 CFM)



335 (1200 CFM)

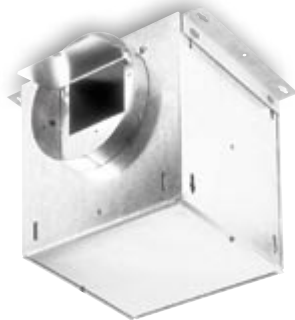


332H (900 CFM)



336 (1500 CFM)

External, In-Line Blowers* This quiet performance solution is a perfect alternative to Internal or Exterior blowers. Works with all Broan range hoods designed for use with External blowers.



HLB3 (280 CFM)
HLB6 (600 CFM)
HLB9 (800 CFM)
HLB11 (1100 CFM)



- Powerful and quiet, In-Line blowers are available in a range of CFM ratings to match your cooking preferences and ventilation requirements.
- Installs remotely in the interior of the home – not restricted by local exterior home codes or service concerns for roof-mounted exterior applications.
- 8-position mounting brackets, or suspends with special suspension chains (hanger kit included).
- Designed to work independently from Internal or Exterior blowers, this is not a boost blower—the HLB series needs no other blowers in the system.
- Specially designed resilient motor mounts and housing isolation mounts prevent vibration noise.
- Flexible duct design allows straight-through or right-angle connections with built-in damper.
- Includes 10" round ductwork transition(s).

Internal Blower*

Broan Elite Internal blowers provide high ventilation and durable construction to meet the needs of professional-style cooking appliances for the home.

RM325H (600 CFM)
RM326H (1200 CFM)
P5 (460 CFM)
P8 (850 CFM)



- The RM325H and RM326H are designed for use with the Broan Elite RM60000 series.
- The P5 and P8 are designed for use with the Broan Elite 64000 Series and RMIP Inserts.
- All blowers are designed for quiet operation using the finest motors and balance wheels.
- Rough-In Kits are included to make the installation clean and simple.

*Broan internal and external blowers are designed and UL Certified for use with Broan products only. Use with other manufacturers' products cannot be recommended.

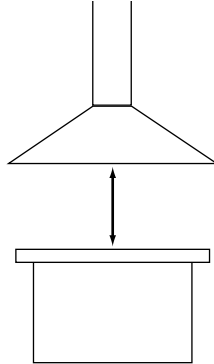
BROAN[®] Elite Installation and blower selection guidelines

1. Distance from cooking surface:

For optimal performance, the distance from the cooking surface to the bottom of the range hood should be between 24" to 30", unless otherwise noted. DO NOT install a Broan Elite range hood less than 24" above cooking surface.

To maintain hood performance at heights greater than the recommended range, use the following guidelines:

- For every 3" increase in installation height, add 100 CFM to the minimum exhaust requirement and/or a minimum of 3" to the hood/liner width (may require going to the next hood width).



2. Range hood width:

The hood should never be less than the width of the cooktop.

3. Required blower CFM based on cooktop BTU output.

- For cooktops UNDER 60,000 BTUs, choose a blower with a minimum of 100 CFM per lineal foot of your cooktop width. For example, a 36" wide cooktop requires a blower with a minimum of 300 CFM.
- High heat cooking or aromatic foods may require additional CFM. Always check with the range manufacturer. NOTE: Increasing capture area by 3" on each side is also a recommended way to address this issue.

- As a means to estimate the approximate CFM requirement for cooktops OVER 60,000 BTUs, choose a blower with 1 CFM per 100 BTU of cooktop output. To quickly calculate this number, add the BTU output from all burners and drop the last two zeros. For example, if the total BTU output of the cooktop burners is 65,000 BTUs, choose a blower with at least 650 CFM.

4. Additional CFM needs for a Grill or Griddle:

If your cooktop has a grill or griddle, ADD 200 CFM to your estimated CFM needs as calculated in step 3. For example, if your cooktop BTU output requires a 650 CFM blower, add 200 CFM for a total of 850 CFM.

Installation Example:

A consumer purchases a cooktop with these specifications:

- Four burner, 36" cooktop
- Burner output is 60,000 BTU
- The cooktop features a grill.
- Installation requirements call for the range hood to be 33" over the range (3" above recommended maximum height)

Blower CFM Option 1: (Using the guidelines above)

The blower must equal a minimum of 600 CFM (60000 BTU) + 200 CFM (for Grill requirement) + 100 CFM (for 3" of installation height) = 900 CFM

Blower CFM Option 2: (Using the guidelines above)

Select a range hood that is a minimum of 3" WIDER than the cooktop, a minimum 600 CFM (60000 BTU) + 200 CFM (for Grill requirement) = 800 CFM

Internal, In-Line and Exterior blower specifications table

MODEL	MOUNTING	CFM	MAX COOKTOP BTU	HVI	VOLTS	AMPS	ROUGH-IN DUCT	INLET/OUTLET	DIRECTION	MOTOR TYPE
RM325H	Internal	600	70,000	Y	120	3.3	7" Round	—	V or H	—
RM326H	Internal	1200	120,000	Y	120	5.0	4½" x 18½"***	—	V or H	—
P5	Internal	460V/500H	60,000	Y	120	1.8	3¾" x 10"	—	V or H	—
P8	Internal	850V/900H	95,000	Y	120	3.4	3¾" x 14"	—	V or H	—
331H**	Exterior	600	60,000	Y	120	2.3	10" Round	—	—	Single-Speed
332H**	Exterior	900	90,000	Y	120	5.8	10" Round	—	—	Single-Speed
335**	Exterior	1200	120,000	Y	120	3.0	10" Round	—	—	Single-Speed
336**	Exterior	1500	120,000	Y	120	3.8	10" Round	—	—	Single-Speed
HLB3**	In-Line	280/260*	40,000	Y	120	2.6	—	8" or 10"/8" Round	V or H	Single-Speed
HLB6**	In-Line	600/600*	65,000	Y	120	2.9	—	10"/10" Round	V or H	Single-Speed
HLB9**	In-Line	800/700*	85,000	Y	120	3.0	—	10"/10" Round	V or H	Single-Speed
HLB11**	In-Line	1100/1000*	110,000	Y	120	5.0	—	10"/10" Round	V or H	Single-Speed

** Model 332KR Rough-In Kit required for installation with hood series RM60000, 64000 and RM1P (Model 421 10" In-Line damper recommended for Exterior blowers).

** Transitions to 10" round available.

* Straight CFM/Right angled CFM (rated with transitions provided).

† Transitions provided with unit.

^ Not recommended for use with grill applications.



Range Hood Specifications

SERIES	CAT. PAGE	DESCRIPTION	FINISHES (may not be in all widths)	LIGHTING	CONTROL FEATURES	CONTROL TYPE	AIR-MOVER TYPE	WIDTH (inches)	MOUNT TYPE
UNDER CABINET HOODS									
Alpine 11000	31	Canopy Hood	Hammered: WH, AL, BL	Single 75W	Variable speed	Rotary	Fan	30	Wall
15000	30	Slide Out Hood	WW, BT, BL, SS	24" Fluorescent	Variable speed Heat Sentry™	Slide	Dual Centrifugal Blower	30, 36	Under Cabinet
37000	35	Range Hood Shell	WW, BT, AL, SS	na	na	na	na	24, 30, 36	Under Cabinet
52000	37	Mfg. Hsg. Range Hood	WW, BT, AL	Single 75W	2 speed	Rocker	Fan	30	Under Cabinet
40000	35	Range Hood	WW, BT, AL, SS, BL	Single 75W	2 speed	Rocker	Fan	21, 24, 30, 36, 42	Under Cabinet
F40000	34	Range Hood	WH, BT, AL, SS, BL, WW, BC	Single 75W	2 speed	Rocker	Fan	24, 30, 36, 42	Under Cabinet
41000	36	Range Hood	WW, BT, AL, SS, BL	Single 75W	2 speed	Rocker	Fan	21, 24, 30, 36, 42	Under Cabinet
42000	35	Range Hood	WW, BT, AL, SS, BL	Single 75W	2 speed	Rocker	Fan	24, 30, 36, 42	Under Cabinet
43000	34	Range Hood	WW, BC, AA, SS, BL	Enclosed Single 75W	2 speed	Rocker	Fan	30, 36	Under Cabinet
46000	33	Range Hood	WH, BT, AL, SS, BL, WW, BC	Single 75W	Variable speed Hi/Low light	Rotary	Fan	24, 30, 36, 42	Under Cabinet
QT20000	32	Range Hood	WW, BC, AA, SS, BL	Enclosed Dual 40W	Variable speed Hi/Low light	Rotary	8" Axial Blade	30, 36, 42	Under Cabinet
88000	29	Range Hood	WH, AL, SS, BL, WW	Enclosed Dual 75W	Variable speed Hi/Low light	Slide	Dual Centrifugal Blower	30, 33, 36, 39, 42, 48	Under Cabinet
89000	29	Range Hood	WH, AL, SS, BL, WW	Enclosed Dual 75W	Variable speed Hi/Low light	Slide	Dual Centrifugal Blower	30, 33, 36, 39, 42, 48	Under Cabinet
AP1 RP1	28	Range Hood	SS, BL, WW	Halogen Dual 50W	Variable speed Heat Sentry™ Two-Level Lights	Rotary Rocker	Centrifugal Blower	30, 36	Under Cabinet
QS1 (Allure I)	26, 27	Range Hood	WW, BC, AA, SS, BL	Halogen Dual 50W	2 speed w/ ON indicator Hi/Low light	Rocker	10" Axial Blade	30, 36, 42	Under Cabinet
QS2 (Allure II)	26, 27	Range Hood	WW, BC, AA, SS, BL	Halogen Dual 50W	3 speed w/ LED indicator Hi/Med/Low light Heat Sentry™	Electronic Push	Centrifugal Blower	30, 36, 42	Under Cabinet
QS3 (Allure III)	26, 27	Range Hood	WW, BC, AA, SS, BL	Halogen Dual 50W	3 speed + Boost Delay-off Filter Indicator Hi/Med/Low light Advanced Heat Sentry™	Electronic Push	Centrifugal Blower	30, 36, 42	Under Cabinet

POWER PACKS AND POWER MODELS

PM25	20, 21	Power Module	WW, BL	Enclosed Single 60W	2 speed	Rocker	Fan	16¾	Built-In
PM44	20, 21	Power Module	WW, BL	Enclosed Single 75W	Variable speed Hi/Low light	Rotary	Dual Centrifugal Blower	22	Built-In
PM250	20, 21	Power Module	Silver	Enclosed Dual 40W	2 speed	Rocker	Fan	20½	Built-In
PM390	20, 21	Power Module	Silver	Enclosed Dual 40W	3 speed	Slide	Centrifugal Blower	20½	Built-In
103123	20, 21	Custom Hood Kit	BL	24" Fluorescent	Variable speed Heat Sentry™	Rotary	Dual Centrifugal Blower	30-42	Built-In
113123	20, 21	Hideaway Hood	BL	24" Fluorescent	Variable speed Heat Sentry™	Rotary	Dual Centrifugal Blower	30	Wall
RMP1	18, 19	Power Pack	SS	Halogen Dual 50W	Variable speed Heat Sentry™	Slide	Centrifugal Blower	27¾	Built-In
RMPE	18, 19	Power Pack External Blower	SS	Halogen Dual 50W	Variable speed Heat Sentry™	Slide	Centrifugal Blower	27¾	Built-In
RMIP	18, 19	Pro-Style Insert	SS	Halogen Dual 50W	Variable speed Heat Sentry™ Two-Level Lights	Rotary	Centrifugal Blower	32¾, 44¾	Built-In

DOWNDRAFTS

27000	17	Downdraft	SS, (WH, BT, BL)	na	Variable speed	Rotary	Centrifugal Blower	30, 36	Under Counter
28000	17	Downdraft External Blower	SS, (WH, BT, BL)	na	Variable speed	Rotary	Centrifugal Blower	30, 36	Under Counter
RMDD	16	Broan Elite Downdraft	SS	na	Variable speed	Rotary	Centrifugal Blower	30, 36, 48	Under Counter
RMDDEX	16	Broan Elite Downdraft External Blower	SS	na	Variable speed	Rotary	Centrifugal Blower	30, 36, 48	Under Counter

* Mounting Height is measured from the top of the cooktop to the bottom of the Hood. **Except for QS Series which is measured from the top of the hood to the top of the cooktop.**

** Visible height of Chimney when in the raised position.

*** Minimum Height is 24" when using optional RMP series backsplash.

† SS=430 Stainless Steel, BL=Black on Black, AL=Almond w/Black Trim, AA=Almond on Almond, BT=Bisque/Biscuit w/Black Trim, BC=Bisque/Biscuit on Bisque/Biscuit, WW=White on White, WH=White w/Black Trim.

†† (Normal Setting).

Note: "Bisque/Biscuit" is a new color name for "Biscuit." The actual color remains unchanged.

SERIES	MOUNTING HEIGHT*	VISIBLE SHELL HEIGHT (inches)	CEILING HEIGHT MAX	BULB INCLUDED	DUCT	FILTERS INCLUDED	CFM/SONES VERT. RECT.	CFM/SONES HORIZ. RECT.	CFM/SONES VERT. ROUND	HVI CERTIFIED
UNDER CABINET HOODS										
Alpine 11000	18"-24"	23 $\frac{3}{8}$ "	na	no	3 $\frac{3}{4}$ " x 10" (V, H) Non-ducted	Aluminum	190/6.0	200/6.5	—	Y
15000	18"-24"	1	na	no	3 $\frac{3}{4}$ " x 10" (V)	Aluminum	300/4.5	—	—	Y
37000	18"-24"	6	na	na	Shell only	na	—	—	—	—
52000	18"-24"	6	na	no	5" round (V)	Aluminum	—	—	100/8.0	Y
40000	18"-24"	6	na	no	3 $\frac{3}{4}$ " x 10" (V, H)	Aluminum	160/6.5	160/6.5	—	Y
F40000	18"-24"	6	na	no	3 $\frac{3}{4}$ " x 10" (V, H) 7" round (V) Non-ducted	Aluminum	160/6.5	160/6.5	190/6.5	Y
41000	18"-24"	6	na	no	Non-ducted	Charcoal	—	—	—	—
42000	18"-24"	6	na	no	7" round (V)	Aluminum	—	—	190/6.0	Y
43000	18"-24"	6	na	no	3 $\frac{3}{4}$ " x 10" (V, H) 7" round (V) Non-ducted	Aluminum w/ Light Lens	190/7.0	160/7.0	220/8.0	Y
46000	18"-24"	6	na	no	3 $\frac{3}{4}$ " x 10" (V, H) 7" round (V) Non-ducted	Aluminum	190/7.5	190/7.5	220/7.5	Y
QT20000	18"-24"	6	na	no	3 $\frac{3}{4}$ " x 10" (V, H) 7" round (V) Non-ducted	Aluminum	200/4.5	170/4.5	220/4.5	Y
88000	18"-24"	9	na	no	3 $\frac{3}{4}$ " x 10" (V, H) Non-ducted	Aluminum	360/5.5	350/6.0	—	Y
89000	18"-24"	9	na	no	3 $\frac{3}{4}$ " x 10" (V, H)	Aluminum	460/6.0	440/7.0	—	Y
AP1 RP1	18"-24"	9	na	no	3 $\frac{3}{4}$ " x 10" (V, H)	MicroMesh with Microban™ MicroMesh Standard Aluminum	440/7.0 (120/0.5)	440/7.0 (120/0.5)	—	Y
QS1 (Allure I)	24"-30" see note*	7 $\frac{3}{4}$ "	na	no	3 $\frac{3}{4}$ " x 10" (V, H) 7" round (V) Non-ducted	Aluminum	210/5.0 (110/1.5)''	220/5.0 (110/1.5)''	230/5.0 (120/1.5)''	Y
QS2 (Allure II)	24"-30" see note*	7 $\frac{3}{4}$ "	na	no	3 $\frac{3}{4}$ " x 10" (V, H) 7" round (V) Non-ducted	MicroMesh Aluminum	280/5.5 (110/1.0)''	300/4.5 (100/0.9)''	280/5.0 (110/0.8)''	Y
QS3 (Allure III)	24"-30" see note*	7 $\frac{3}{4}$ "	na	no	3 $\frac{3}{4}$ " x 10" (V, H) 7" round (V) Non-ducted	Professional Aluminum	280/5.5 (110/0.3)'' Boost 380	300/4.5 (100/0.4)'' Boost 430	270/5.5 (100/0.4)'' Boost 350	Y
POWER PACKS AND POWER MODELS										
PM25	18"-24"	3 $\frac{5}{8}$ "	na	no	7" round (V) Non-ducted kit 354NDK	Aluminum w/ Light Lens	—	—	250/7.0	Y
PM44	18"-24"	7	na	no	3 $\frac{3}{4}$ " x 10" (V, H) Non-ducted kit 355NDK	Aluminum	410/5.5	—	—	Y
PM250	18"-24"	3 $\frac{5}{8}$ "	na	no	7" round (V) Non-ducted kit 356NDK	Aluminum w/ Light Lens	—	—	250/8.0	Y
PM390	18"-24"	3 $\frac{5}{8}$ "	na	no	6" round (V) Non-ducted kit 357NDK	Aluminum w/ Light Lens	—	—	390/6.0	Y
103123	18"-24"	4	na	no	3 $\frac{3}{4}$ " x 10" (V, H)	Aluminum	360/5.0	360/4.5	—	Y
113123	18"-24"	24-30	na	no	3 $\frac{3}{4}$ " x 10" (V)	Aluminum	360/4.5	—	—	Y
RMP1	24"-30"	Flush	na	yes	6" round (V)	Aluminum	—	—	400/9.0	Y
RMPE	25"-30"	Flush	na	yes	8" round (V)	Aluminum	—	—	280 to 1500 See Exterior or In-Line Blowers	Y
RMIP	28"-34"	Flush	na	no	See Selected Blower Page 46, 47''	SS & Aluminum	460 to 850 See Md# P5, P8	—	—	Y
DOWNDRAFTS										
27000	na	7**	na	na	3 $\frac{3}{4}$ " x 10" (V, H)	Aluminum	500/na	500/na	—	Y
28000	na	7**	na	na	3 $\frac{3}{4}$ " x 10" (V)	Aluminum	—	—	280 to 1100; See Md# 332H, or In-Line Blowers	Y
RMDD	na	9.5	na	na	3 $\frac{3}{4}$ " x 10"	Stainless Steel	500/na	—	—	Y
RMDEX	na	9.5	na	na	3 $\frac{3}{4}$ " x 14"	Stainless Steel	—	—	280 to 1500 See Exterior or In-Line Blowers	Y



HVI-2100 CERTIFICATION

Broan range hoods are tested and certified by the Home Ventilating Institute. This is your assurance that each Broan unit has been tested and found to consistently deliver the air and sound performance specified.

Range Hood Specifications

SERIES	CAT. PAGE	DESCRIPTION	FINISHES (may not be in all widths)	LIGHTING (not included unless stated)	CONTROL FEATURES	CONTROL TYPE	AIR-MOVER TYPE	WIDTH (inches)	MOUNT TYPE
HIGH PERFORMANCE HOODS									
RM60000	22, 23	Professional Style Hood Choice of Internal & External Blowers	SS, WH, BL	Halogen 50W Dual Heat Lamps 2/3	Variable speed Heat Sentry™ Two-Level Light	Rotary	Centrifugal Blower	30, 36, 42, 48, 54, 60, 66, 72	Wall
64000	22, 23	Professional Style Hood Choice of Internal & External Blowers	SS, WH, BL	Halogen 50W Dual Heat Lamps 2/3	Variable speed Heat Sentry™ Two-Level Light	Rotary	Centrifugal Blower	30, 36, 42, 48	Cabinet
E661	24	Range Hood	SS, WH, BL 42" SS only	Dual 50W	3 speed+boost, Delay-off, Heat Sentry™	Electronic Push	High flow wheel	30, 36, 42	Under Cabinet
E662/E662E	25	Range Hood	SS, WH, BL 42" SS only	Halogen Dual 50W	3 speed+boost, Selectable Delay-off, Heat Sentry™	I-Control™ Touch Sensitive	Centrifugal Blower	30, 36, 42	Under Cabinet

CHIMNEY HOODS									
RM50000	14, 15	Chimney Hood	SS	Incandescent Dual 40W (included)	Multi-speed Heat Sentry™	Slide	Centrifugal Blower	30, 35 $\frac{1}{16}$ "	Wall
RM51000	14, 15	Chimney Hood	SS	Halogen Dual 20W (included)	Multi-speed Heat Sentry™	Slide	Centrifugal Blower	35 $\frac{1}{16}$ "	Wall
RM52000	14, 15	Chimney Hood	SS	Halogen Dual 20W (included)	Multi-speed Heat Sentry™	Slide	Centrifugal Blower	30, 36, 42	Wall
RM53000	13	Chimney Hood	SS	Halogen Dual 20W (included)	Multi-speed Heat Sentry™	Slide	Centrifugal Blower	30, 36, 42	Wall
E54000	12	Island Chimney Hood	SS	Halogen Quad 20W (included)	Multi-speed Heat Sentry™	Slide	Centrifugal Blower	35 $\frac{1}{16}$ " x 27 $\frac{1}{16}$ "	Ceiling
E55000	11	Chimney Hood	SS	Halogen Dual 20W (included)	Push Button	Slide	Centrifugal Blower	35 $\frac{1}{16}$ "	Wall
61000	7	Chimney Hood	SS	Halogen Dual 20W (included)	3 speed Heat Sentry™	Slide	Centrifugal Blower	30, 35 $\frac{1}{16}$ ", 48	Wall
61000EX	7	Chimney Hood External Blowers	SS	Halogen Dual or Quad 20W (included)	Variable Heat Sentry™	Slide	Centrifugal Blower	35 $\frac{1}{16}$ ", 48	Wall
62000	8	Chimney Hood	SS with Glass	Halogen Dual 20W (included)	Variable speed, Delay-off, Filter Indicator Heat Sentry™	Electronic Push	Centrifugal Blower	35 $\frac{1}{16}$ "	Wall
63000	9	Island Chimney Hood	SS	Halogen Four 20W (included)	3 speed Heat Sentry™	Slide	Dual Centrifugal Blower	39 $\frac{3}{16}$ " x 27 $\frac{1}{16}$ "	Ceiling
63000EX	9	Island Chimney Hood External Blowers	SS	Halogen Dual or Quad 20W (included)	Variable Heat Sentry™	Slide	Centrifugal Blower	39 $\frac{3}{16}$ " x 27 $\frac{1}{16}$ "	Ceiling
RM65000	10	Chimney Hood	SS	Halogen Dual 20W (included)	Variable speed, Delay-off, Filter Indicator Heat Sentry™	Electronic Push	Centrifugal Blower	35 $\frac{1}{16}$ "	Wall

BLOWERS									
P5	43	Internal Blower for 64000 and RMIP	na	na	na	na	Centrifugal Blower	na	Internal to Hood
P8	43	Internal Blower for 64000 and RMIP	na	na	na	na	Dual Centrifugal Blower	na	Internal to Hood
RM325H	42, 43	Internal Blower for RM60000	na	na	na	na	Dual Centrifugal Blower	na	Internal to Hood
RM326H	42, 43	Internal Blower for RM60000	na	na	na	na	Dual Centrifugal Blower	na	Internal to Hood
331H	42, 43	***Exterior Blower	na	na	na	na	Centrifugal Blower	na	Roof or Outside Wall
332H	42, 43	***Exterior Blower including 28000	na	na	na	na	Centrifugal Blower	na	Roof or Outside Wall
335	42, 43	***Exterior Blower	na	na	na	na	Centrifugal Blower	na	Roof or Outside Wall
336	42, 43	***Exterior Blower	na	na	na	na	Centrifugal Blower	na	Roof or Outside Wall
HLB3	43	***In-Line Blower	na	na	na	na	Centrifugal Blower	na	Attached to Framing
HLB6	43	***In-Line Blower	na	na	na	na	Centrifugal Blower	na	Attached to Framing
HLB9	43	***In-Line Blower	na	na	na	na	Centrifugal Blower	na	Attached to Framing
HLB11	43	***In-Line Blower	na	na	na	na	Centrifugal Blower	na	Attached to Framing

* Mounting Height is measured from the top of the cooktop to the bottom of the Hood. **Except for QS Series which is measured from the top of the hood to the top of the cooktop.**

** Visible height of Chimney when in the raised position.

*** Minimum Height is 24" when using optional RMP series backsplash.

† SS=430 Stainless Steel, BL=Black on Black, AL=Almond w/Black Trim, AA=Almond on Almond, BT=Bisque/Biscuit w/Black Trim, BC=Bisque/Biscuit on Bisque/Biscuit, WW=White on White, WH=White w/Black Trim.

*** External blower for RM60000, 64000, 61000EX, 63000EX, RMPE, RMIP, RMDDEX and E66000 Series.

*** RM60000, 64000 or RMIP Series require 332KR Rough-In Kit when used with Exterior or In-Line blowers.

† Performance ratings assume use of 10" round transition provided with blowers.

Note: "Bisque/Biscuit" is a new color name for "Biscuit." The actual color remains unchanged.

SERIES	MOUNTING HEIGHT*	VISIBLE SHELL HEIGHT (inches)	CEILING HEIGHT MAX	BULB INCLUDED	DUCT	FILTERS INCLUDED	CFM/SONES VERT. RECT.	CFM/SONES HORIZ. RECT.	CFM/SONES VERT. ROUND	HVI CERTIFIED
HIGH PERFORMANCE HOODS										
RM60000	24"-30"	18	8'	no	See Selected Blower Below****	SS & Aluminum Optional SS Baffle	280 to 1500 See Md# RM325H, RM326H, Exterior or In-Line Blowers	280 to 1500 See Md# RM325H, RM326H, Exterior or In-Line Blowers	—	Y
64000	20"-30" electric****	10	na	no	See Selected Blower Below****	Aluminum Optional SS Baffle	280 to 1500 See Md# P5, P8 External or In-Line Blowers	500 or 900 See Md# P5, P8	—	Y
	24"-30" gas									
E661	24"-30"	5½"	na	no	3¾" x 14" (V, H)	MicroMesh Aluminum	120/0.4 290/2.5 550/8.5	130/<0.3 310/2.5 600/8.5	—	Y
E662/E662E	24"-30"	5½"	na	no	10" round (V)	MicroMesh Aluminum	180/0.3 460/5.0 750/9.0	160/0.8 480/4.0 890/9.0	For E662E See Exterior or In-Line Blowers 280 to 1500	Y
CHIMNEY HOODS										
RM50000	24"-30"	11¼"	8'-9" Opt. 10'	yes	6" round (V)	Aluminum	—	—	270/6.5	Y
RM51000	24"-30"	5½"	8'-9" Opt. 10'	yes	6" round (V)	Aluminum	—	—	370/7.0	Y
RM52000	24"-30"	5½"	8'-9" Opt. 10'	yes	6" round (V)	Aluminum	—	—	370/7.0	Y
RM53000	24"-30"	3½"	8'-9" Opt. 10'	yes	6" round (V)	Aluminum	—	—	370/7.0	Y
E54000	24"-30"	3½"	8'-9" Opt. 10'	yes	6" round (V)	Aluminum	—	—	480/9.5	Y
E55000	24"-30"	2½"	8'-9" Opt. 10'	yes	6" round (V)	Aluminum	—	—	360/6.5	Y
61000	24"-30"	9¾"	8'-9"	yes	6" round (V) 30" & 35½" Width 8" round (V) 48" Width Non-ducted	Stainless Steel	—	—	450/9 900/9.5	Y
61000EX	24"-30"	9¾"	8'-9"	yes	8" round (V)	Stainless Steel	—	—	280 to 1500 See External or In-Line Blowers	Y
62000	24"-30"	6¾"	8'-10'	yes	6" round (V)	Stainless Steel	—	—	450/8.5	Y
63000	24"-30"	10¼"	8'-9"	yes	8" round (V)	Stainless Steel	—	—	900/9.5	Y
63000EX	24"-30"	10¼"	8'-9" Opt. 10'	yes	8" round (V)	Stainless Steel	—	—	280 to 1500 See External or In-Line Blowers	Y
RM65000	24"-30"	11¾"	8'-9"	yes	6" round (V)	Aluminum	—	—	450/9.0	Y
BLOWERS										
P5	na	na	na	na	3¾" x 10" (V, H)	na	460/10.5	500/10	—	Y
P8	na	na	na	na	3¾" x 14" (V, H)	na	850/10.5	900/10	—	Y
RM325H	na	na	na	na	7" round (V, H)	na	—	—	600/6.0	Y
RM326H	na	na	na	na	4½" x 18½" (V, H)	na	1200/12	1200/12	—	Y
331H	na	na	na	na	10" round	na	—	—	600/na	Y
332H	na	na	na	na	10" round	na	—	—	900/na	Y
335	na	na	na	na	10" round	na	—	—	1200/na	Y
336	na	na	na	na	10" round	na	—	—	1500/na	Y
HLB3	na	na	na	na	Inlet 8" or 10" round Outlet 8" round	na	—	—	²280(H)/ ²260(V)	Y
HLB6	na	na	na	na	Inlet 10" round Outlet 10" round	na	—	—	³600(H)/ ³600(V)	Y
HLB9	na	na	na	na	Inlet 10" round Outlet 10" round	na	—	—	³800(H)/ ³700(V)	Y
HLB11	na	na	na	na	Inlet 10" round Outlet 10" round	na	—	—	⁴1100(H)/ ⁴1000(V)	Y



HVI-2100 CERTIFICATION

Broan range hoods are tested and certified by the Home Ventilating Institute. This is your assurance that each Broan unit has been tested and found to consistently deliver the air and sound performance specified.

Broan. The leader in residential ventilation.



Broan® is America's leading brand of residential ventilation products including range hoods, decorative backsplashes, ventilation fans, heater/fan/light combination units, Indoor Air Quality (IAQ) Fresh Air Systems, built-in heaters, whole-house fans, attic ventilators and trash compactors.

NuTone® is America's leading brand of residential built-in convenience products including door chimes, central vacuum systems, stereo intercom systems, ceiling fans, home theater speakers, bath cabinets, ironing centers and ventilation fans.

BROAN®

www.Broan.com

Broan-NuTone, LLC, 926 W. State Street, Hartford, WI 53027 • **800-558-1711**

In Canada call **888-882-7626**



Free Manuals Download Website

<http://myh66.com>

<http://usermanuals.us>

<http://www.somanuals.com>

<http://www.4manuals.cc>

<http://www.manual-lib.com>

<http://www.404manual.com>

<http://www.luxmanual.com>

<http://aubethermostatmanual.com>

Golf course search by state

<http://golfingnear.com>

Email search by domain

<http://emailbydomain.com>

Auto manuals search

<http://auto.somanuals.com>

TV manuals search

<http://tv.somanuals.com>