

Please read and save these instructions. Read carefully before attempting to assemble, install, operate or maintain the product described. Protect yourself and others by observing all safety information. Failure to comply with instructions could result in personal injury and/or property damage! Retain instructions for future reference.



Cordless Drill/Driver and Charger

Unpacking

When unpacking this product, carefully inspect for any damage that may have occurred during transit.

General Safety Information

This manual contains information that is very important to know and understand. This information is provided for SAFETY and to PREVENT EQUIPMENT PROBLEMS. To help recognize this information, observe the following symbols.

⚠ DANGER

Danger indicates

an imminently hazardous situation which, if not avoided, will result in death or serious injury.

⚠ WARNING

Warning indicates a

potentially hazardous situation which, if not avoided, could result in death or serious injury.

⚠ CAUTION

Caution indicates

a potentially hazardous situation which, if not avoided, may result in minor or moderate injury.

NOTICE

Notice indicates

important information, that if not followed, may cause damage to tool.

The following safety precautions must be followed at all times along with any other existing safety rules.

1. Read all manuals included with this product carefully. Be thoroughly familiar with the controls and the proper use of the equipment.
2. Only persons well acquainted with these rules of safe operation should be allowed to use this tool.



Product	Voltage	No-Load speed	Max. Capacity of chuck	Battery Pack	Battery charger
DG201800CD	18 V dc	0-360/0-1030 min ⁻¹	Ø 3/8" Ø 10 mm	DG024900AV	DG024700AV

REMINDER: Keep your dated proof of purchase for warranty purposes! Attach it to this manual or file it for safekeeping.

General Power Tool Safety Warnings

⚠ WARNING *Read all safety warnings and all instructions. Failure to follow the warnings and instructions may result in electric shock, fire and/or serious injury.*

SAVE ALL WARNINGS AND INSTRUCTIONS FOR FUTURE REFERENCE.

The term "power tool" in the warnings refers to your battery-operated (cordless) power tool.

1) Work area safety

- a) **Keep work area clean and well lit.** *Cluttered or dark areas invite accidents.*
- b) **Do not operate power tools in explosive atmosphere, such as in the presence of flammable liquids, gases or dust.** *Power tools create sparks which may ignite the dust or fumes.*
- c) **Keep children and bystanders away while operating a power tool.** *Distractions can cause you to lose control.*

2) Electrical Safety

- a) **Power tool plugs must match the outlet. Never modify the plug in any way. Do not use any adapter plugs with earthed (grounded) power tools.** *Unmodified plugs and matching outlets will reduce risk of electric shock.*
- b) **Avoid body contact with earthed or grounded surfaces, such as pipes, radiators, ranges and refrigerators.** *There is an increased risk of electric shock if your body is earthed or grounded.*
- c) **Do not expose power tools to rain or wet conditions.** *Water entering a power tool will increase the risk of electric shock.*
- d) **Do not abuse the cord. Never use the cord for carrying,**

pulling or unplugging the power tool. Keep cord away from heat, oil, sharp edges or moving parts. *Damaged or entangled cords increase the risk of electric shock.*

- e) **When operating a power tool outdoors, use an extension cord suitable for outdoor use.** *Use of a cord suitable for outdoor use reduces the risk of electric shock.*
- f) **If operating a power tool in a damp location is unavoidable, use a residual current device (RC) protected supply.** *Use of an RCD reduces the risk of electric shock.*
- g) **Hold power tools by insulated gripping surfaces when performing an operation where the cutting tool may contact hidden wiring or its own cord.** *Contact with a "live" wire will make exposed metal parts of the tool "live" and shock the operator.*
- h) **If an extension cord is used, make sure:**
 - That the size of the cord is at least as specified in the chart titled "Minimum Wire Size (AWG) of Extension Cord for Battery Charger."
 - That the pins on the plug of the extension cord are the same number, size, and shape as those on the plug of the charger.
 - That the extension cord is properly wired and in good electrical condition.
 - That the extension cord, if it is to be used outdoors, is marked with the suffix "W-A" or "W". This should follow

the cord type designation (e.g. SJTW-A). Such a designation indicates that it is acceptable for outdoor use.

- i) **Recharge this battery-operated tool only with the charger specified for the battery. A charger suitable for one type of battery can create a risk of fire when used with another battery.**
- j) **Use this battery-operated tool only with its designated battery pack. Use of any other batteries may create a risk of fire.**

3) Personal safety

- a) **Stay alert, watch what you are doing and use common sense when operating a power tool. Do not use a power tool while you are tired or under the influence of drugs, alcohol or medication.** *A moment of inattention while operating power tools may result in serious personal injury.*
- b) **Use personal protective equipment. Always wear eye protection.** *Protective equipment such as dust mask, non-skid safety shoes, hard hat, or hearing protection used for appropriate conditions will reduce personal injuries.*
- c) **Prevent unintentional starting. Ensure the switch is in the off-position before connecting to power source and/or battery pack, picking up or carrying the tool.** *Carrying power tools with your finger on the switch or energizing power tools that have the switch on invites accidents.*

Length of Cord in Feet	25	50	100	150
AWG Size of Cord	18	18	18	16

General Power Tool Safety Warnings (Continued)

d) Remove any adjusting key or wrench before turning the power tool on. A wrench or a key left attached to a rotating part of the power tool may result in personal injury.

e) Do not overreach. Keep proper footing and balance at all times. This enables better control of the power tool in unexpected situations.

f) Dress properly. Do not wear loose clothing or jewelry. Keep your hair, clothing and gloves away from moving parts. Loose clothes, jewelry or long hair can be caught in moving parts.

g) If devices are provided for the connection of dust extraction and collection facilities, ensure these are connected and properly used. Use of dust collection can reduce dust-related hazards.

h) CALIFORNIA PROPOSITION 65

⚠ DANGER



You can create dust when you cut, sand, drill or grind materials such as wood, paint, metal, concrete, cement, or other masonry. This dust often contains chemicals known to cause cancer, birth defects, or other reproductive harm. Wear protective gear.

i) **⚠ WARNING**

This product or its power cord contains lead, a chemical known to the State of California to cause cancer and birth defects or other reproductive harm. Wash hands after handling.

j) Some wood contains preservatives which can be toxic. Take extra care to prevent inhalation and skin contact when working with these materials. Request and follow all safety information available from your material supplier.

k) **⚠ WARNING**

Do not misuse this product. Excessive exposure to vibration, work in awkward positions, and repetitive work motions can cause injury to hands and arms. Stop using any tool if discomfort, numbness, tingling, or pain occur, and consult a physician.

l) Always work in a well-ventilated area. Wear an OSHA-approved dust mask.

m) Keep hands away from rotating parts.

n) Use clamps or another practical way to secure the workpiece to a stable platform. Never hold work in your hand, lap, or against other parts of your body when drilling.

o) Before using the battery charger, read all instructions on the charger, battery, and product.

p) Do not attempt to disassemble the battery or remove any component projecting from the battery terminals. Fire or injury may result.

4) Power tool use and care

a) Do not force the power tool. Use the correct power tool for your application. The correct power tool will do the job better and safer at the rate for which it was designed.

b) Do not use the power tool if the switch does not turn it on and off. Any power tool that cannot be controlled with the switch is dangerous and must be repaired.

c) Disconnect the plug from the power source and/or the battery pack from the power tool before making any adjustments, changing accessories, or storing power tools. Such preventive safety measures reduce the risk of starting the power tool accidentally.

d) Store idle power tools out of the reach of children and do not allow persons unfamiliar with the power tool or these instructions to operate the power tool. Power tools are dangerous in the hands of untrained users.

e) Maintain power tools. Check for misalignment or binding of moving parts, breakage of parts and any other condition that may affect the power tool's operation. If damaged, have the power tool repaired before use. Many accidents are caused by poorly maintained power tools.

f) Keep cutting tools sharp and clean. Properly maintained cutting tools with sharp cutting edges are less likely to bind and are easier to control.

g) Use the power tool, accessories and tool bits etc. in accordance with these instructions, taking into account the working conditions and the work to be performed. Use of the power tool for operations different from those intended could result in a hazardous situation.

General Power Tool Safety Warnings (Continued)

- h) When the battery pack is not in use, keep it away from metal objects such as paper clips, coins, keys, nails, screws, or the like so there is no risk of the battery terminals being connected (that is, "shorted") together. *Shorting the battery terminals together may cause sparks, burns, a fire, a shock, or damage to the battery.*
- i) Do not use if the chuck jaws or other parts are cracked or worn.
- j) Verify the drill's rotation before starting to drill/drive, so that it is correct for the operation being performed.
- k) Do not use the drill as a router or try to elongate or enlarge holes by twisting the drill. Drill bits may break and cause injury.
- l) Each drill is equipped with a chuck capable of handling bits up to a certain size. For the DG2019 drill, bits with shaft diameters greater than 3/8" [10mm] should not be used.
- m) Ensure the switch is in the off position before inserting the battery pack. *Inserting the battery pack into power tools that have the switch on invites accidents.*
- n) Recharge the battery pack only with the charger supplied with this tool. A charger that is suitable for one type of battery pack may create a risk of fire when used with another battery pack.
- o) Use this drill only with the supplied battery pack or the recommended replacement pack as specified by the manufacturer. *Use of any other battery packs may create a risk of injury or fire.*
- p) Charge the battery pack in a well-ventilated area. Do not allow any object to cover the charger and/or battery pack while charging.
- q) Do not operate the battery charger if its plug or cord has been damaged. If these components are damaged, have them replaced immediately by a qualified repair person.
- r) Do not operate the charger if it has been dropped, received a sharp blow, or otherwise been damaged. If damaged, have it serviced by a qualified repair person.
- s) Make sure the cord is located so that it will not be stepped on, tripped over, or otherwise subjected to damage or stress.
- t) Do not store the battery charger or battery pack in locations where the temperature may reach or exceed 120°F [49°C], such as in a metal tool shed or in a car during the summer. This can lead to deterioration of these components.
- u) For optimal charging of the battery pack, charging should take place in temperatures ranging from 32°F to 86°F [0°C to 30°C]. Charging the battery pack outside this recommended range can adversely affect the battery's performance.
- v) Do not charge the battery pack in damp or wet conditions.
- w) Do not charge the battery pack if it feels hot to the touch. Wait for it to cool.
- x) Since this tool is equipped with nickel-cadmium batteries, the battery pack must be recycled or disposed of in an environmentally sound manner. Check with your county's Public Works Department for information on recycling nickel-cadmium batteries. Prior to disposal, insulate the metal battery pack terminals by covering them securely with heavy insulating tape in order to prevent any possible shorting.
- y) Do not incinerate the battery pack as it may explode in a fire.

5) Service

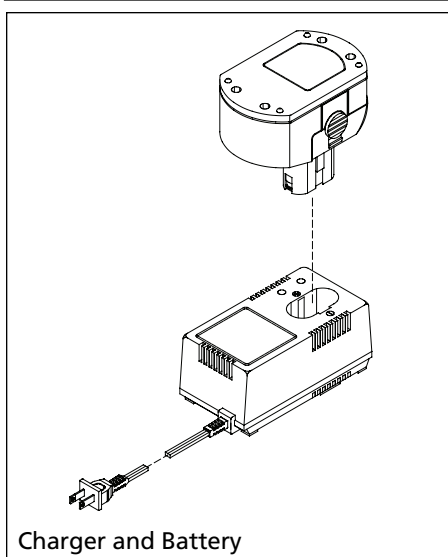
Have your power tool serviced by a qualified repair person using only identical replacement parts. This will ensure that the safety of the power tool is maintained.

Tool Operation

The power source for this drill comes from the supplied battery packs. It is important that the user understand the following in order to get the most of the battery pack and the battery charger.

Installing / Removing the Battery Pack to / from the Drill

- In order to install the battery pack to the drill, insert the lower portion of the pack into the drill handle. Push the battery pack until you hear the pack latching to the drill.
- In order to remove the battery pack from the drill, depress both of the circular (ribbed) buttons on the pack and then pull the pack from the drill.



Charger and Battery

Tool Operation (Continued)

Charging the Battery Pack

Installing/Removing the Battery Pack from the Battery Charger

- The battery pack is designed so that it can only fit into the charger in one orientation, therefore, there is no reason to force the pack into the charger. To install the battery pack in the charger, insert the tower end of the pack into the charger. The protruding rib on one side of the battery pack should be aligned with the notch in the battery charger. Once this alignment is done, lightly push the battery pack until it bottoms out in the charger.
- To remove the battery pack from the charger, simply pull the battery straight out of the battery charger.

Initial Charging

Before using this drill for the first time, charge the battery fully. This can be done by first plugging the battery charger into a 120V (60 Hz) power supply and then inserting the battery fully into the charger, noting that the battery pack rib is oriented so that it fits into the notch of the battery charger. When the battery

pack is pressed slightly so that the pack bottoms out in the charger, the red charger light should then illuminate. This indicates that the battery is being charged. Once the pack is fully charged, the green charger light should illuminate. This charging process should take approximately one hour.

Additional Charging Notes

- During normal use, the battery pack will eventually lose its capacity and when this happens, there will be a noticeable difference in the drill's performance. It is at this point that the battery pack approaches its discharged state and needs to be recharged. If the pack is warm-hot to touch, let the battery pack cool down before placing it in the charger. This will allow the pack to accept a full charge whereas it might not do so if inserted in the charger in an elevated-temperature state.
- With the type of battery supplied with this drill, that is Ni-Cd or Nickel Cadmium type, it is best that they are charged when close to its discharged state. This is the point where there is a noticeable difference in the performance of the drill. If the pack is placed in the charger before it reaches this state, there is a possibility that the capacity/life of the battery pack may not be optimized. It is also important to note that a battery pack should not be discharged past the performance-noticeable state mentioned above as this might irreversibly damage the battery pack.
- Lastly in order to get the most out of your battery pack, it is highly recommended that the

packs not remain in the charger for more than 3 hours. So once fully-charged (indicated by the green charger light illuminating), it is best to remove the battery pack at or near that point.

Forward/Reverse Button

This drill is equipped with a forward/reverse (red) button which is used to change the direction of rotation of the drill chuck/bit. It is recommended that the user check the direction of rotation prior to performing the work. If the FWD button is firmly depressed from the right side of the drill when the user holds it, the rotation of the drill will be in the forward direction, or clockwise when viewing the chuck from a user viewpoint. This is the recommended rotational direction for drilling holes or driving screws. By firmly depressing the REV button (on the left side of the tool), the rotation of the drill will be counterclockwise. This direction of rotation is recommended for removing screws. It is also useful if a drill bit has been stuck when drilling in the forward direction.

Do not attempt to change the rotation unless the drill chuck is completely stopped. Failure to do so can damage the tool.

If the FWD/REV button is centered in the drill housing, that is, not fully depressed to either side, then the switch trigger should be locked in the "OFF" position.

Variable-Speed Switch Trigger

This drill is equipped with a variable-speed switch. By applying more pressure to the (red) switch trigger, the speed of the drill will increase. Releasing pressure will slow the drill. This accurate speed control allows the user to slowly start drilling a hole without center-punching, or slowly start driving screws, before increasing the operational rate.

Tool Operation (Continued)

Two-speed gearing

In addition to the variable-speed switch, this drill is also equipped with a two-speed gearbox. The low gear (setting "1") provides high-torque and slower drilling speeds for heavy-duty work or for driving screws. The high gear (setting "2") provides faster speeds which is particularly useful for drilling into softer materials. To change to the high-speed setting, push the (red) speed selector knob fully forward. For the low-speed setting, move the speed-selector knob fully toward the rear of the drill. It is important that this knob be positioned fully forward or fully back, anywhere in between can cause damage to the drill.

If the drill has been actuated but the chuck is not rotating, fully release pressure on the switch actuator and then slide the gear actuator to its desired setting.

Electrical Brake

This drill is equipped with an electrical brake which is used to stop the chuck quickly. This is useful when the job calls for repetitive driving or removal of screws. This is activated by merely releasing the switch actuator while the drill is rotating. When the electric brake is actuated, it is common to see momentary arcing within the drill itself.

Adjustable Clutch

This drill/driver features 16 clutch settings. Output torque will increase as the clutch collar is rotated from 1 to 15. The drill bit position locks the clutch in order to permit heavy-duty drilling and driving work. It also allows bits to be changed quickly and easily in the keyless chuck. This adjustable clutch is particularly useful when driving screws. A lower clutch setting will ratchet sooner than a high-clutch setting, that is, it will limit how far a screw is driven. When driving screws, it is best to start at a lower clutch setting and adjust this collar upwards until the screw is set to the desired depth.

Bubble Levels

This drill/driver is equipped with two bubble levels in order to make it easier for the user to drill squarely. There is a horizontal level on top of the drill and in order to drill/drive horizontally, the bubble on this particular level should be centered between the two level lines. For those jobs where the user wants to drill straight up-and-down, there is another level on the back side of the drill for that particular purpose. For vertical drilling, the center of the bubble should be at the intersection of the crosshairs.

Magnetic Screw Holder

This drill/driver is equipped with a magnet on top of the drill, underneath the horseshoe magnet symbol. This is useful for storing screws when doing repetitive work.

Battery Fuel Gauge Indicator Lights

This drill/driver is equipped with a battery fuel gauge. This is positioned on top of the drill and is composed of three green lights and a black button. In order to check the state of the battery pack, depress the black button when the drill is OFF. If three of the green lights illuminate, this indicates a fully-charged or nearly charged battery pack. If only one green light illuminates, the battery pack is nearing that point where it should be recharged. If no lights illuminate, the battery pack needs to be recharged.

Inserting / Removing Bits

- In order to clamp a bit in the drill, move the FWD/REV button to its center position and rotate the clutch ring to the drill bit symbol. Rotate the chuck sleeve counterclockwise (when viewing from the chuck end) until the chuck jaws are opened slightly more than the diameter of the bit to be inserted. Insert a clean bit up to the drill bit flutes (for smaller bits) or as far as it will go for large bits. Close the chuck by rotating the chuck sleeve clockwise and securely tighten by hand.

- In order to remove the bit from the drill, move the FWD/REV button to its center position and rotate the clutch ring to the drill bit symbol. Rotate the chuck sleeve clockwise (when viewing from the chuck end) until the chuck jaws are opened slightly more than the diameter of the bit and then remove the bit.

CAUTION *Do not use the power of the drill to loosen or tighten the bit while holding the chuck. The spinning chuck will cause friction burn and hand injury.*

Phillips and slotted screw driver bits are included onboard with this drill and can be easily installed as previously noted. These are particularly useful for driving/removing screws.

General Drilling Instructions

WARNING *Safety glasses must be worn during drilling operations.*

CAUTION *Always be alert and brace yourself against the twisting action of the drill. A firm hold should always be administered when drilling. Failure to do so may result in bodily injury.*

- Adjust the drill's chuck collar so that arrow on the drill body points to the drill bit symbol on the chuck collar.
- Set the speed selector to the desired setting. Typically the harder the material being drilled into, the slower the recommended speed.
- Insure that the drill bit is securely gripped in the chuck.
- Make sure that the FWD button is fully depressed. This should make the drill rotate in the forward direction, that is, clockwise as viewed from the user's vantage point.

General Drilling Instructions (Continued)

- **CAUTION** *Make sure that the workpiece is secured. This might entail clamping it in a vise or held securely by other clamping means. A loose workpiece may spin and cause bodily injury.*

- Locate the center for the hole to be drilled and using a center punch, make a small dent in the workpiece.
- Place the tip of the drill bit in this dent, hold the drill square to the workpiece, apply steady pressure, and actuate the drill's switch.

- **CAUTION** *Continue to apply steady, even pressure while drilling. Applying too much pressure may cause the drill bit to overheat and/or break, resulting in bodily injury or damaged drill bits. Too little pressure will keep the bit from cutting into the workpiece.*

- If the drill stalls or becomes jammed in the hole, release the switch trigger immediately. Do not keep actuating the switch trigger in the forward direction in order to free the bit from its jammed condition, for this will damage the motor. Remove the drill bit from the workpiece and determine the cause of stalling or jamming before beginning again. If it is troublesome to remove the bit from the workpiece, then fully-depress the REV button and actuate the switch to remove the bit. Then fully depress the FWD button before resuming the drilling operation.

- When the bit is at the point where it nearly breaks through the material being drilled, reduce the pressure on the drill in order to avoid splintering the wood or stalling in a metal workpiece.
- When the drill bit has completely penetrated the workpiece and is spinning freely, withdraw it from the workpiece while the motor is still running, and then turn off the drill.

Drilling Wood

In addition to the guidelines given in the General Drilling Instructions, the following also apply:

- When drilling into softer wood, higher speed settings are generally used.
- When drilling into wood using a twist drill bit, frequently withdraw it from the hole in order to clear away chips which build up in the flutes. This helps prevent overheating and burning the material while speeding up the drilling process.
- If a backing block is used to keep the back of the workpiece from splintering, clamp it securely in place. If a backing block is not used with spade bits or hole saws, ease up the pressure exerted on the drill as soon as the bit point breaks through the workpiece. Remove the bit and using the breakthrough hole, reposition the bit on the opposite side of the workpiece and finish the drilling operation.

Drilling in Metal

In addition to the guidelines given in the General Drilling Instructions, the following also apply:

- Use only good quality, sharp, high-speed drill bits when drilling into metal.
- When drilling into metal, lower speed settings are generally used. The harder the material, the slower the drilling speed should be.
- Start drilling with a slow speed and gradually increase the speed as the drill cuts.
- When drilling a large hole, it is easier to first drill a smaller (pilot) hole and then enlarge it to the required size.
- The use of a lubricant, such as oil, on the drill point helps to keep the bit cool, increases the drilling action, and prolongs bit life.

General Driving Screws Instructions

⚠ WARNING

Safety glasses

must be worn during driving operations.

⚠ CAUTION

Always be alert

and brace yourself against the twisting action of the drill. A firm hold should always be administered when driving screws. Failure to do so may result in bodily injury.

- Drill a pilot hole of a size recommended by the screw manufacturer prior to driving the screws in place.
- Adjust the drill's chuck collar so that arrow on the drill body points to the desired torque setting. A lower number will cause the drill to ratchet sooner, that is, it will not drive the screw into the workpiece as far as if a higher clutch collar setting is used.
- Set the speed selector to the low speed "1" setting.
- Install the proper screwdriver bit and insure that this bit is securely gripped in the chuck.
- Make sure that the FWD button is fully depressed. This should make the drill rotate in the forward direction, that is, clockwise as viewed from the user's vantage point.

⚠ CAUTION

Make

sure that the workpiece is secured. This might entail clamping it in a vise or held securely by other clamping means. A loose workpiece may spin and cause bodily injury.

- Using one's fingers, place the tip of the screw in the pilot hole and turn clockwise so as to start the screw squarely.

- Place a properly-sized screwdriver bit on the screw and while exerting pressure on the drill, actuate the switch trigger to drive the screw in place. It is important that the screw be driven squarely from the start, so a constant square pressure should be administered in order to drive the screw properly in place. If too little pressure is put on the drill during this driving operation, the screwdriver bit may not be retained in the screw head- this could damage or strip the end of the screw.
- As soon as the screw has been seated, release the switch trigger and lift the screwdriver from the screw head. If the drill ratchets before driving the screw to the desired depth, remove the drill from the screw head and increase the clutch collar setting. Then repeat the driving process.
- A lubricant, such as soap or wax, may be used on screw threads for ease of driving. This is particularly important when dealing with hard wood.
- Screws are typically comprised of a threaded section, a shank section in which there are no threads, and the screw head. Sometimes it is advantageous to drill holes/countersinks in one operation and there are different combination bits (e.g. pilot drill/shank, pilot drill bit/countersink, etc.) available at local supply houses for doing these combinations.

Driving Wood Screws

In addition to the guidelines given in the General Driving Instructions, the following also apply:

- Prior to driving a wood screw in place, it is recommended that a pilot hole (and shank hole if necessary) be first drilled. See the table below for recommendations when using common screw sizes.

Driving Self-tapping Screws

In addition to the guidelines given in the General Driving Instructions, the following also apply:

- Prior to driving the self-tapping screw in place, drill a pilot hole of the recommended size by the manufacturer. Place the tip of the screw in the pre-drilled hole and while gently holding the screw square, slowly start driving the screw. Once it has properly started, discontinue holding the screw threads and finish driving the screw. As soon as the screw is seated, release the switch trigger and lift the drill from the screw head.

Driving Machine Screws

In addition to the guidelines given in the General Driving Instructions, the following also apply:

- Prior to driving the machine screw in place, drill and tap a hole of the recommended size by the manufacturer. Start the threads of the screw in the tapped hole by hand and once squarely in place, discontinue holding the screw and then start to slowly drive the screw with the driver. Once the screw has been fully seated, release the switch trigger and lift the drill from the screw head.

RECOMMENDATIONS FOR DRIVING WOOD SCREWS

SCREW SIZE	PILOT DRILL DIAMETER		SHANK PILOT HOLE	SCREWDRIVER BIT TIP	
	(FOR SOFT WOOD)	(FOR HARD WOOD)		SLOTTED BIT	PHILLIPS BIT
#6	1/16" (0.063")	5/64" (0.078")	9/64" (0.141")	3/16"	#2
#8	5/64" (0.078")	3/32" (0.094")	11/64" (0.172")	1/4"	#2
#10	3/32" (0.094")	7/64" (0.109")	3/16" (0.188")	5/16"	#2 OR #3*
#12	7/32" (0.219")	1/8" (0.125")	7/32" (0.219")	3/8"	#3

* Some head styles in this size take a #2 Phillips bit and others #3.

General Driving Screws Instructions (Continued)

Removing Screws

In order to remove a screw from a workpiece, use the following steps:

- Set the clutch adjusting collar to its highest setting and set the speed selector to its lowest "1" setting.
- Install the proper screwdriver bit into the drill's chuck.
- Fully depress the REV button.
- Place the screwdriver bit in the screw head and with enough pressure exerted on the drill so that it doesn't jump out of the screw head, start the drill to remove the screw.

Maintenance

Cleaning

All plastic parts should be cleaned with a soft damp cloth. NEVER use solvents to clean plastic parts. They could dissolve or otherwise damage the material.

Failure to Start

Should your tool fail to start, make sure the battery pack is charged and installed in the drill.

Battery Service

The battery pack supplied with this drill will self-discharge and lose some of its capacity over time. Therefore, if it is stored unused for a long period of time, then it may require recharging before use. In order to get the most out of your batteries, it is recommended that the pack be recharged every 2-3 months and when doing so, remove the pack from the charger after 2-3 hours of charging.

Removing/Replacing the Chuck

If there is a need to replace the chuck, use the following steps to do so:

- Remove the battery pack from the drill.
- Rotate the clutch collar until its drill bit symbol aligns with the arrow on the top of the drill housing.
- Open the chuck jaws fully by unscrewing the chuck sleeve counterclockwise (when viewing the chuck from its end).
- Locate the left-handed screw inside the chuck and with the proper screwdriver bit and remove this screw by turning it clockwise.
- Insert the short arm of a 3/8" hex key or Allen wrench into the chuck and tighten the jaws of the chuck on the flats of this wrench.

- With a hammer or the like, strike the long arm of the wrench sharply so that the chuck will turn counterclockwise.
- Once the chuck has been loosened, remove the wrench and unscrew the chuck from its spindle.
- To replace the chuck with another one, reverse the steps noted above. Always keep the spindle threads, chuck threads, and securing screw free of debris.

Service

CAUTION *Tool service must be performed only by qualified repair personnel and by an AUTHORIZED SERVICE CENTER. Service or maintenance performed by unqualified personnel could result in a risk of injury.*

For information regarding the operation or repair of this product, please call 1-800- 424-8936.

For Replacement Parts or Technical Assistance, call 1-800-424-8936

Description	Part Number
Charger – 18V	DG024700AV
Battery Pack – 18V	DG024900AV
Chuck – 3/8"	DG029900AV
Set Screw	SX173400AV

Please provide following information:

- Model number
- Serial number (if any)
- Part description and number as shown in parts list

Address any correspondence to:

Campbell Hausfeld
 Attn: Parts Department
 100 Production Drive
 Harrison, OH 45030 U.S.A.

Limited Warranty

1. **DURATION:** One (1) Year from the date of purchase by the original purchaser on drill. Batteries are warranted for one (1) year.
2. **WHO GIVES THIS WARRANTY (WARRANTOR):** Campbell Hausfeld / Scott Fetzer Company, 100 Production Drive, Harrison, Ohio, 45030, Telephone: (800) 424-8936
3. **WHO RECEIVES THIS WARRANTY (PURCHASER):** The original purchaser (other than for purposes of resale) of the Campbell Hausfeld product.
4. **WHAT PRODUCTS ARE COVERED BY THIS WARRANTY:** Any Campbell Hausfeld cordless power tool supplied or manufactured by Warrantor.
5. **WHAT IS COVERED UNDER THIS WARRANTY:** Substantial defects in material and workmanship which occur within the duration of the warranty period.
6. **WHAT IS NOT COVERED UNDER THIS WARRANTY:**
 - A. Implied warranties, including those of merchantability and **FITNESS FOR A PARTICULAR PURPOSE ARE LIMITED FROM THE DATE OF ORIGINAL PURCHASE AS STATED IN THE DURATION.** If this product is used for commercial, industrial or rental purposes, the warranty will apply for ninety (90) days from the date of purchase. Some States do not allow limitation on how long an implied warranty lasts, so the above limitations may not apply to you.
 - B. **ANY INCIDENTAL, INDIRECT, OR CONSEQUENTIAL LOSS, DAMAGE, OR EXPENSE THAT MAY RESULT FROM ANY DEFECT, FAILURE, OR MALFUNCTION OF THE CAMPBELL HAUSFELD PRODUCT.** Some States do not allow the exclusion or limitation of incidental or consequential damages, so the above limitation or exclusion may not apply to you.
 - C. Any failure that results from an accident, purchaser's abuse, neglect or failure to operate products in accordance with instructions provided in the owner's manual(s) supplied with product. Accident, purchaser's abuse, neglect or failure to operate products in accordance with instructions shall also include the removal or alteration of any safety devices. If such safety devices are removed or altered, this warranty is void.
 - D. Normal adjustments which are explained in the owner's manual(s) provided with the product.
 - E. Items or service that are normally required to maintain the product, i.e. contacts, grips, springs, triggers or any other expendable part not specifically listed. These items will only be covered for ninety (90) days from date of original purchase.
7. **RESPONSIBILITIES OF WARRANTOR UNDER THIS WARRANTY:** Repair or replace, at Warrantor's option, products or components which are defective, have malfunctioned and/or failed to conform within duration of the warranty period.
8. **RESPONSIBILITIES OF PURCHASER UNDER THIS WARRANTY:**
 - A. Provide dated proof of purchase and maintenance records.
 - B. Call Campbell Hausfeld (800-424-8936) to obtain your warranty service options. Freight costs must be borne by the purchaser.
 - C. Use reasonable care in the operation and maintenance of the products as described in the owner's manual(s).
9. **WHEN WARRANTOR WILL PERFORM REPAIR OR REPLACEMENT UNDER THIS WARRANTY:** Repair or replacement will be scheduled and serviced according to the normal work flow at the servicing location, and depending on the availability of replacement parts.

This Limited Warranty applies in the United States, Canada and Mexico only and gives you specific legal rights. You may also have other rights which vary from state to state or country to country.

S'il vous plaît lire et conserver ces instructions. Lire attentivement avant de monter, installer, utiliser ou de procéder à l'entretien du produit décrit. Se protéger ainsi que les autres en observant toutes les instructions de sécurité, sinon, il y a risque de blessure et/ou dégâts matériels ! Conserver ces instructions comme référence.



Chargeur et perceuse/ tournevis sans fil

Déballage

Lors du déballage, l'examiner soigneusement pour rechercher toute trace de dommage susceptible de s'être produit en cours de transport.

Directives de Sécurité

Ce manuel contient de l'information très importante qui est fournie pour la SÉCURITÉ et pour ÉVITER LES PROBLÈMES D'ÉQUIPEMENT. Rechercher les symboles suivants pour cette information.

⚠ DANGER

Danger indique

une situation hasardeuse imminente qui RÉSULTERA en perte de vie ou blessures graves.

⚠ AVERTISSEMENT

Avertissement indique une situation hasardeuse potentielle qui PEUT résulter en perte de vie ou blessures graves.

⚠ ATTENTION

Attention indique

une situation hasardeuse potentielle qui PEUT résulter en blessures.

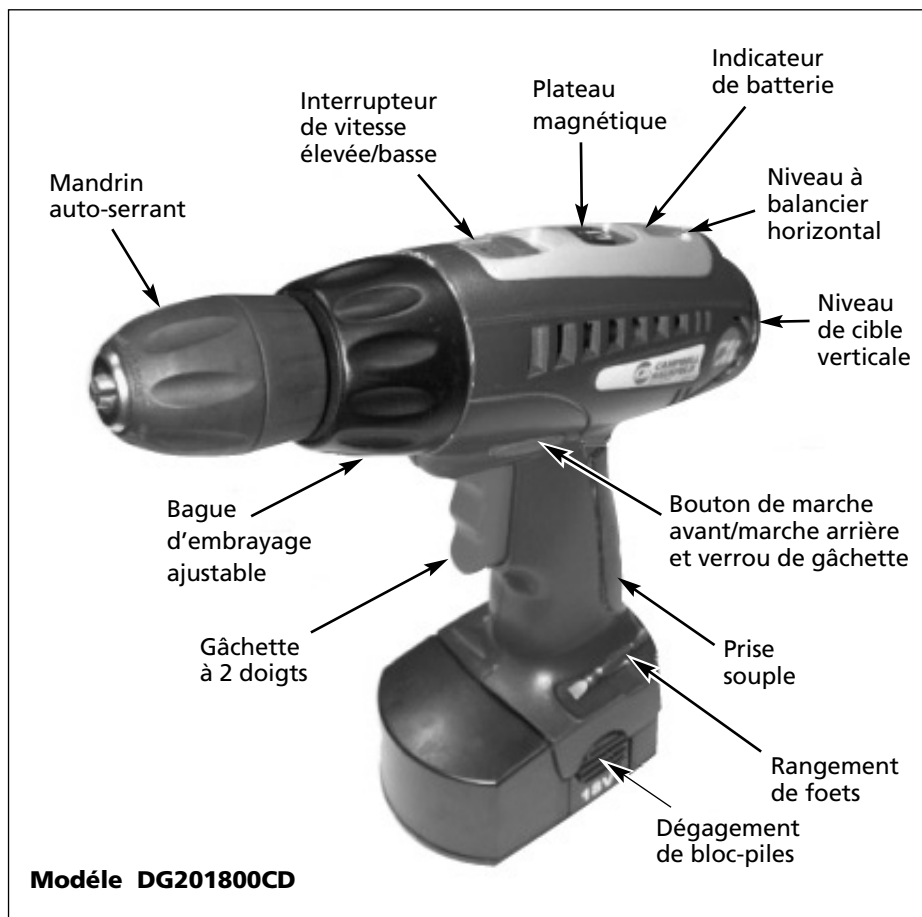
AVIS

Avis indique

l'information importante pour éviter le dommage de l'outil.

Les précautions de sécurité suivantes doivent être respectées en tout temps en plus de toute autre règle de sécurité actuelle.

1. Lire attentivement tous les manuels, y compris celui de ce produit. Bien se familiariser avec les commandes et l'utilisation correcte de l'équipement.
2. Seules les personnes bien familiarisées avec ces règles d'utilisation en toute sécurité doivent être autorisées à se servir de l'outil pneumatique.



Produit	Tension	Vitesse sans charge	Capacité max. du mandrin	Bloc-piles	Chargeur de batterie
DG201800CD	18 V dc	0-360/0-1030 min ⁻¹	Ø 3/8 po Ø 10 mm	DG024900AV	DG024700AV

**MÉMENTO: Gardez votre preuve datée d'achat à fin de la garantie!
Joignez-la à ce manuel ou classez-la dans un dossier pour plus de sécurité.**

Avertissements généraux de sécurité des outils électriques

⚠️ AVERTISSEMENT

Lire tous les avertissements de sécurité et toutes les instructions. Ne pas suivre ces avertissements et ces instructions pourrait mener à des chocs électriques, des incendies et/ou de graves blessures.

CONSERVER TOUS LES AVERTISSEMENTS ET INSTRUCTIONS À TITRE DE RÉFÉRENCE.

Le terme « outil électrique » dans les avertissements indique votre outil électrique à batterie (sans fil).

1) Sécurité de l'aire de travail

- a) **Garder l'aire de travail propre et bien éclairée.** *Les endroits encombrés et les coins sombres attirent les accidents.*
- b) **Ne pas faire fonctionner d'outil électrique dans une atmosphère explosive comme en présence de liquides, gaz ou poussières inflammables.** *Les outils électriques créent des étincelles qui peuvent enflammer la fumée ou la poussière.*
- c) **Garder les spectateurs et les enfants loin en utilisant un outil électrique.** *Les distractions peuvent faire perdre le contrôle.*

2) Sécurité électrique

- a) **Les fiches d'outils électriques doivent s'agencer à la prise. Ne jamais modifier la fiche de quelque façon que ce soit. Ne pas utiliser d'adaptateur avec les outils électriques mis à la terre.** *Les fiches non modifiées et les prises assorties réduiront le risque de choc électrique.*
- b) **Éviter tout contact du corps avec les surfaces mises à la terre comme les tuyaux, les radiateurs, les cuisinières et les réfrigérateurs.** *Il y a un risque accru de choc électrique si le corps est mis à la terre.*
- c) **Ne pas exposer les outils électriques à la pluie ou à des conditions humides.**

Toute eau pénétrant dans l'outil électrique augmente le risque de choc électrique.

- d) **Ne pas mal utiliser le cordon. Ne jamais utiliser le cordon pour transporter, tirer ou débrancher l'outil. Garder le cordon loin de la chaleur, de l'huile, des bords tranchants ou des pièces mobiles.** *Les cordons endommagés ou enchevêtrés augmentent le risque de choc électrique.*
- e) **En utilisant l'outil à l'extérieur, il faut utiliser une rallonge convenant pour une utilisation à l'extérieur.** *Utiliser un cordon convenable pour une utilisation à l'extérieur réduit le risque de choc électrique.*
- f) **S'il est impossible d'éviter d'utiliser l'outil dans un endroit humide, utiliser une alimentation protégée par appareil de courant résiduel (CR).** *Utiliser un dispositif de CR réduit le risque de choc électrique.*
- g) **Tenir les outils électriques par les surfaces de prise isolé pendant un travail où l'outil de coupe peut entrer en contact avec du câblage caché ou son propre cordon.** *Un contact avec un fil "sous tension" rendra les pièces de métal exposées de l'outil "sous tension" et produira un choc pour l'opérateur.*
- h) **S'il faut utiliser une rallonge, s'assurer que :**
 - La taille du cordon est au moins celle spécifiée sur le tableau intitulé "Taille de fil minimum (AWG) de rallonge pour le chargeur de batterie."
 - Les broches de la fiche de la rallonge sont du même nombre, de la même taille et de la même forme que celles de la fiche du chargeur.
 - La rallonge est bien câblée et en bon état.
 - La rallonge, si elle doit être utilisée à l'extérieur, porte le

suffixe "W-A" ou "W". Ceci devrait suivre la désignation du type de cordon (par ex. SJTW-A). Une telle désignation indique qu'elle convient pour une utilisation à l'extérieur.

- i) **Recharger cet outil à batterie seulement avec le chargeur spécifié sur la batterie. Un chargeur convenant pour un certain type de batterie peut créer un risque d'incendie lorsqu'on l'utilise avec une autre batterie.**
- j) **Utiliser cet outil à batterie seulement avec le bloc-batteries spécifié. Utiliser un autre type de batterie peut créer un risque d'incendie.**

3) Sécurité personnelle

- a) **Il faut rester vigilant, savoir ce qu'on fait et utiliser son sens commun en faisant fonctionner un outil électrique. Ne pas faire fonctionner l'appareil si l'on est fatigué ou sous l'influence de drogues, d'alcool ou de médicaments.** *Un moment d'inattention en faisant fonctionner les outils électriques peut mener à des blessures graves.*
- b) **Utiliser un équipement protecteur personnel. Toujours porter une protection pour les yeux.** *Un équipement protecteur comme un masque antipoussières, des souliers de sécurité antidérapants, un casque de protection ou une protection auditive selon les conditions réduira les blessures personnelles.*
- c) **Éviter tout démarrage accidentel. S'assurer que l'interrupteur soit en position d'arrêt (off) avant d'insérer le bloc-batteries et/ou la source de courant, avant de prendre ou de transporter l'outil.** *Transporter les outils avec le doigt sur l'interrupteur ou brancher un outil avec l'interrupteur en marche invite les accidents.*

Taille minimum de fil (AWG) de rallonge pour le chargeur de batterie

Longueur de cordon en pieds	25	50	100	150
Taille AWG de cordon	18	18	18	16

Avertissements généraux de sécurité des outils électriques (suite)

d) **Retirer toute clé d'ajustement ou clé à ouverture fixe avant de mettre l'appareil en marche.** Une clé ou une clé à ouverture fixe installée sur une pièce mobile de l'outil pourrait mener à une blessure.

e) **Ne pas trop se pencher. Garder bon pied et bon équilibre en tout temps.** Ceci permet d'avoir un meilleur contrôle de l'outil électrique dans les situations imprévues.

f) **Il faut s'habiller correctement. Ne pas porter de bijoux ou de vêtements amples. Garder les cheveux, les vêtements et les gants loin des pièces mobiles.** Les vêtements amples, les bijoux ou les cheveux longs augmentent le risque de blessures si quelque chose se prend dans les pièces mobiles.

g) **Si des dispositifs sont fournis pour le branchement d'installation de cueillette et d'extraction de poussières, s'assurer qu'ils sont branchés et utilisés correctement.** Utiliser un appareil de cueillette de poussière peut réduire les dangers reliés à la poussière.

h) **PROPOSITION 65 DE CALIFORNIE**

⚠ DANGER



L'on peut produire de la poussière en coupant, ponçant, perçant ou meulant des matériaux tels que le bois, la

peinture, le métal, le béton, le ciment ou autre maçonnerie. Cette poussière contient souvent des produits chimiques reconnus comme cause de cancer, d'anomalies congénitales ou d'autres problèmes reproductifs. Porter de l'équipement protecteur.

i) **⚠ AVERTISSEMENT**
Ce produit ou son cordon contient du plomb, un produit chimique qui de l'avis de l'État de Californie cause le cancer et les anomalies congénitales ou autres problèmes de reproduction. Se laver les mains après toute manipulation.

j) Certains bois contiennent des agents de conservation qui pourraient être toxiques. Attention d'éviter toute inhalation et contact avec la peau en travaillant avec ces matériaux. Demander et suivre toute information de sécurité disponible du fournisseur de matériaux.

k) **⚠ AVERTISSEMENT**
Ne pas abuser ce produit. Toute exposition excessive à la vibration, tout travail dans les positions difficiles et les motions de travail à répétition peuvent provoquer des blessures aux mains et aux bras. Cesser d'utiliser tout outil si l'on ressent un malaise, un engourdissement, un fourmillement ou une douleur et consulter un médecin.

l) Toujours travailler dans un endroit bien ventilé. Porter un masque anti-poussières homologué OSHA.

m) Garder les mains loin des pièces mobiles.

n) Utiliser des pinces ou tout autre moyen pratique pour fixer le travail à une plateforme stable. Ne jamais tenir le travail dans les mains, sur les genoux ou contre toutes parties du corps en perçant.

o) Avant d'utiliser le chargeur de batterie, lire toutes les instructions sur le chargeur, la batterie et le produit.

p) Ne pas essayer d'ouvrir la batterie ni retirer tout composant sortant des bornes de la batterie. Cela pourrait mener à des incendies ou des blessures.

4) **Utilisation et entretien de l'outil**

a) **Ne pas forcer l'outil. Utiliser le bon outil pour son application.** Le bon outil effectuera le meilleur travail sécuritaire au rythme pour lequel il a été conçu.

b) **Ne pas utiliser l'outil si l'interrupteur ne met pas l'outil en marche ou ne l'arrête pas.** Tout outil qui ne peut pas être contrôlé par l'interrupteur est dangereux et doit être réparé.

c) **Retirer la fiche de la source de courant et/ou bloc-batteries avant tout ajustement, avant de changer les accessoires ou de ranger l'outil.** De telles mesures de sécurité préventives réduisent le risque de démarrage accidentel de l'outil.

d) **Lorsque l'outil n'est pas utilisé, le ranger hors de portée des enfants et ne pas laisser des personnes non formées avec l'outil ou qui ne connaissent pas ces instructions utiliser l'outil.** Les outils électriques sont dangereux dans les mains d'utilisateurs non formés.

e) **Entretenir les outils électriques. Vérifier tout mauvais alignement ou blocage de pièces mobiles, bris de pièces et toute autre condition qui pourrait affecter le fonctionnement de l'outil.** Si l'outil est endommagé, le faire réparer avant de l'utiliser. De nombreux accidents sont causés par des outils mal entretenus.

f) **Il faut garder les outils tranchants et propres.** Des outils bien entretenus aux bords tranchants sont moins susceptibles de bloquer et sont plus faciles à contrôler.

g) **Utiliser l'outil électrique, les accessoires et les forets, etc., conformément à ces instructions, en tenant compte des conditions de travail et du travail à effectuer.** Utiliser un outil électrique pour des opérations différentes de celles prévues pourrait mener à des situations dangereuses.

Avertissements généraux de sécurité des outils électriques (suite)

- h) Lorsque le bloc-batteries n'est pas utilisé, garder loin de tous les objets métalliques comme les trombones, la monnaie, les clés, les clous, les vis et autres pour qu'il n'y ait aucun risque que les bornes de la batterie se touchent (c'est-à-dire, se court-circuitent).** Provoquer un court-circuit des bornes de batterie ensemble peut provoquer des étincelles, des brûlures, un incendie ou des dommages à la batterie.
- i) Ne pas utiliser si les mordaches ou autres pièces sont fissurées ou usées.**
- j) Avant de faire démarrer la perceuse, vérifier la rotation de l'outil pour s'assurer qu'il convient pour l'opération à exécuter.**
- k) Ne pas utiliser de perceuse comme toupie ni essayer d'allonger ou d'agrandir les trous en tournant la perceuse. Les forets peuvent briser et causer des blessures.**
- l) Chaque perceuse est dotée d'un mandrin capable de s'ajuster aux forets jusqu'à une certaine taille. Pour la perceuse DG2019, il ne faut pas utiliser de forets de diamètres d'arbre de plus de 3/8 po (10 mm).**
- m) S'assurer que l'interrupteur soit en position d'arrêt (off) avant d'insérer le bloc-batteries.** Insérer le bloc-batteries dans tout outil électrique avec l'interrupteur en marche invite les accidents.
- n) Recharger le bloc-batteries seulement avec le chargeur fourni avec cet outil.**
Un chargeur convenant pour un certain type de bloc-batteries peut créer un risque d'incendie lorsqu'on l'utilise avec un autre bloc-batteries.
- o) Utiliser cette perceuse seulement avec le bloc-batteries fourni ou avec le bloc de rechange recommandé tel qu'indiqué par le fabricant.**
Utiliser un autre type de bloc-batteries peut créer un risque d'incendie ou de blessure.
- p) Charger le bloc-batteries dans un endroit bien ventilé. Ne pas laisser d'objet couvrir le chargeur et/ou le bloc-batteries en chargeant.**
- q) Ne pas utiliser le chargeur si son cordon ou sa fiche a été endommagé(e). Si ces composants sont endommagés, il faut les faire remplacer immédiatement par un réparateur qualifié.**
- r) Ne pas faire fonctionner le chargeur s'il a été échappé, frappé avec force ou endommagé de quelque autre façon. S'il est endommagé, il faut le faire réparer par un réparateur qualifié.**
- s) S'assurer que le cordon soit placé de telle manière que l'on ne puisse pas marcher dessus, trébucher ou subir des dommages ou un stress quelconque.**
- t) Ne pas ranger le chargeur ou le bloc-batteries dans des endroits où la température pourrait atteindre ou dépasser 120 °F (49 °C), comme une remise à outils métallique ou une voiture en été. Ceci peut mener à une détérioration de ces composants.**
- u) Pour une charge optimale du bloc-batteries, la charger dans des températures entre 32° – 86 °F (0 – 30 °C). Changer le bloc-batteries à l'extérieur de cette plage recommandée peut avoir un effet négatif sur la performance de la batterie.**
- v) Ne pas charger le bloc-batteries dans des endroits humides ou mouillés.**
- w) Ne pas charger le bloc-batteries s'il est chaud au toucher. Attendre que l'appareil se refroidisse.**
- x) Puisque cet appareil est doté de batteries de nickel-cadmium, le bloc-batteries doit être recyclé ou éliminé d'une manière respectueuse de l'environnement. Vérifier auprès de votre service des travaux publics pour obtenir l'information de recyclage de batteries de nickel-cadmium. Avant l'élimination, insoler les bornes du bloc-batteries métallique en les couvrant d'un ruban isolant lourd pour éviter tout court-circuit.**
- y) Ne pas incinérer le bloc-batteries car il pourrait exploser.**

5) Service

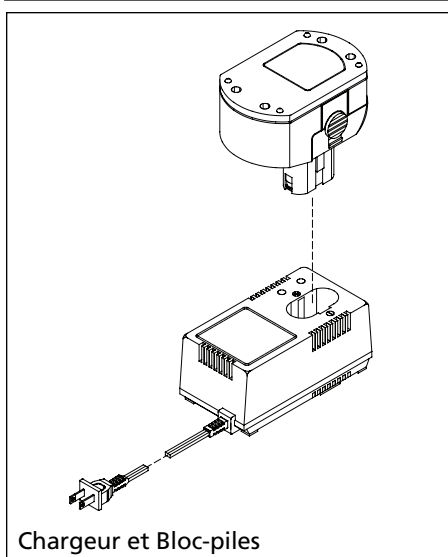
Faire réparer l'outil par un réparateur qualifié utilisant seulement des pièces de rechange identiques. Ceci assurera le maintien de la sécurité de l'outil.

Utilisation de l'outil

La source de courant pour cette perceuse provient des blocs-batteries fournis. Il est important que l'utilisateur comprenne ce qui suit pour retirer le plus du bloc-batteries et du chargeur.

Installer / retirer le bloc-batteries vers / de la perceuse

- Pour installer le bloc-batteries à la perceuse, insérer la section à tour du bloc dans la poignée de la perceuse. Pousser le bloc-batteries jusqu'à ce qu'on entende le bloc se verrouiller à la perceuse.
- Pour retirer le bloc-batteries de la perceuse, enfoncer les deux boutons circulaires (à côte) sur le bloc, puis retirer le bloc de la perceuse.



Utilisation de l'outil (suite)

Charger le bloc-batteries

Installer / retirer le bloc-batteries du chargeur de batteries

- Le bloc-batteries est conçu pour entrer dans le chargeur dans une seule direction et il n'y a donc aucune raison de forcer le bloc dans le chargeur. Pour installer le bloc-batteries au chargeur, insérer l'extrémité à tour du bloc dans le chargeur. La côte ressortant d'un côté du bloc-batteries doit s'aligner avec l'encoche du chargeur de batterie. Après l'alignement, pousser délicatement le bloc-batteries jusqu'à ce qu'il ressorte du bas du chargeur.
- Pour retirer le bloc-batteries du chargeur, tirer tout simplement la batterie du chargeur.

Charge initiale

Avant d'utiliser cette perceuse pour la première fois, charger entièrement la batterie. Ceci s'accomplit en branchant d'abord le chargeur de batterie dans une source de courant de 120 V (60 Hz) et en insérant la batterie complètement dans le chargeur en notant l'orientation de la côte du bloc-batteries pour s'ajuster dans l'encoche du chargeur de batterie. Lorsque le bloc-batteries est pressé légèrement pour que le bloc s'ajuste au bas du chargeur, le voyant rouge du chargeur s'allumera.

Ceci indique que la batterie se charge. Lorsque la batterie est entièrement chargée, un voyant vert s'allume. Ce processus de charge devrait durer environ une heure.

Autres notes de charge

- Avec une utilisation normale, le bloc-batteries perdra sa capacité et à ce moment, il y aura une différence remarquable de performance de la perceuse. C'est à ce point que le bloc-batteries approche la fin de sa charge et doit être rechargé. Si le bloc est chaud au toucher, le laisser refroidir avant de le placer dans le chargeur. Ceci permettra au bloc d'atteindre une charge complète ce qu'il ne pourrait peut-être pas atteindre s'il est inséré dans le chargeur à température élevée.
- Avec le type de batterie fournie avec cette perceuse, qui est de type Ni-Cd ou nickel cadmium, il est préférable de la charger lorsqu'elle est presque entièrement déchargée. C'est le point où l'on remarque une différence de performance de la perceuse. Si le bloc est placé dans le chargeur avant d'atteindre ce point, il est possible que la capacité/vie du bloc-batteries ne soit pas optimisée. Il est aussi important de souligner qu'un bloc-batteries ne doit pas être déchargé au-delà de l'état remarquable de performance mentionné plus haut, car cela pourrait endommager irréversiblement le bloc-batteries.
- Pour retirer le plus de votre bloc-batteries, il est fortement recommandé de ne pas laisser les blocs dans le chargeur pendant plus de 3 heures. Après une pleine charge (indiquée par le voyant vert du chargeur allumé), il est préférable de retirer le bloc-batteries à ce point ou près de ce point.

Bouton de marche avant/marche arrière

Cette perceuse est dotée d'un bouton de marche avant/marche arrière (rouge) utilisé pour changer la rotation du mandrin/foret de la perceuse. Il est recommandé que l'utilisateur vérifie la direction de la rotation avant le travail. Si le bouton de marche avant/arrière est fermement enfoncé du côté droit de la perceuse lorsque l'utilisateur le tient, la rotation de la perceuse sera en marche avant, ou dans le sens horaire en regardant le mandrin du point de vue de l'utilisateur. Ceci est la direction de rotation recommandée pour percer des trous ou enfoncer des vis. En enfonçant fermement le bouton REV (du côté gauche de l'outil), la rotation de la perceuse sera dans le sens antihoraire. Cette direction de rotation est recommandée pour retirer les vis. Elle est aussi utile si un foret de perceuse est coincé en perçant dans la direction avant.

Ne pas essayer de changer la rotation à moins que le mandrin ne soit entièrement arrêté. Le non-respect de ces instructions pourrait endommager l'outil.

Si le bouton FWD/REV (marche avant/arrière) est centré dans le boîtier de la perceuse, soit non enfoncé complètement d'un côté ou l'autre, alors la gâchette de l'interrupteur devrait être verrouillée en position "OFF" (arrêt).

Gâchette d'interrupteur de vitesse variable

Cette perceuse est dotée d'un interrupteur à vitesse variable. En pressant la gâchette de l'interrupteur (rouge), la vitesse de la perceuse augmentera. Dégager la pression ralentira la perceuse. Ce contrôle de vitesse exacte permet à l'utilisateur de commencer à percer un trou lentement sans pointeau, de commencer à enfoncer des vis lentement avant d'augmenter le rythme d'opération.

Utilisation de l'outil (suite)

Transmission à deux vitesses

Cette perceuse est dotée d'un engrenage à deux vitesses en plus de l'interrupteur à vitesse variable. La basse vitesse (réglage "1") offre des vitesses de couple élevé et de perçage plus lent pour un travail intensif ou pour entrer les vis. La haute vitesse (réglage "2") offre des vitesses plus rapides particulièrement utiles pour percer dans des matériaux plus mous. Pour changer le réglage à haute vitesse, pousser le bouton de sélection de vitesse (rouge) entièrement en avant. Pour la basse vitesse, déplacer le bouton de sélection de vitesse entièrement vers l'arrière de la perceuse. Il est important que ce bouton soit placé entièrement vers l'avant ou vers l'arrière car toute position entre ces points pourrait endommager la perceuse.

Si la perceuse est activée, mais le mandrin ne tourne pas, dégager entièrement la pression de la commande d'interrupteur, puis glisser la commande d'engrenage à son réglage voulu.

Frein électrique

Cette perceuse est dotée d'un frein électrique utilisé pour arrêter rapidement le mandrin. Ceci est particulièrement utile lorsque le travail exige des perçages ou des retraits de vis à répétition. Il s'active en dégageant tout simplement la commande de l'interrupteur pendant la rotation de la perceuse. Lorsque le frein électrique est activé, il est courant de voir un arc momentanément dans la perceuse même.

Embrayage ajustable

Cette perceuse/tournevis comprend 16 réglages d'embrayage. Le couple de sortie augmentera tandis que la bague d'embrayage tourne de 1 à 15. La position du foret de perceuse verrouille l'engrenage pour permettre un perçage et un entraînement de service intensif. Cette position permet aussi de changer rapidement et facilement les forets dans le mandrin sans clé. Cet embrayage ajustable est particulièrement utile lorsque le travail

est de placer les vis. Un réglage d'embrayage plus bas cliquettera plus tôt à un réglage plus élevé d'embrayage et limitera donc l'enfoncement d'une vis. En entrant les vis, il est préférable de commencer à un réglage d'embrayage plus bas et d'ajuster vers le haut jusqu'à ce que la vis soit à la profondeur voulue.

Niveaux à bulles

Cette perceuse/tournevis est dotée de deux niveaux à bulles pour faciliter le perçage par l'utilisateur. Il y a un niveau horizontal sur le dessus de la perceuse pour enfoncer/turner horizontalement, la bulle de ce niveau doit être centrée entre les deux lignes du niveau. Pour les travaux où l'utilisateur veut percer droit de haut en bas, il y a un autre niveau à l'arrière de la perceuse pour ce type d'emploi. Pour le perçage vertical, le centre de la bulle devrait être à l'intersection des réticules.

Porte-vis magnétique

Cette perceuse/tournevis est dotée d'un aimant sur le dessus de la perceuse, sous le symbole d'aimant en forme de fer à cheval. Ceci est utile pour ranger les vis pour le travail à répétition.

Voyants d'indicateur de carburant de batterie

Cette perceuse/tournevis est dotée d'un indicateur de carburant de batterie. Ceci est placé sur le dessus de la perceuse et se compose de trois voyants verts et d'un bouton noir. Pour vérifier l'état du bloc-batteries, enfoncer le bouton noir lorsque la perceuse est éteinte. Si trois voyants verts s'allument, ceci indique une charge complète ou presque du bloc-batteries. Si un seul voyant vert s'allume, le bloc-batteries est presque au point où il faut recharger. Si aucun voyant ne s'allume, le bloc-batteries doit être rechargé.

Insérer / retirer les forets

- Pour pincer un foret dans la perceuse, déplacer le bouton FWD/RED à sa position centrale et tourner le segment d'embrayage jusqu'au symbole du foret de perceuse. Tourner le manchon de mandrin dans le sens antihoraire (vue de l'extrémité du mandrin) jusqu'à ce que les mâchoires du mandrin s'ouvrent un peu plus que le

diamètre du foret à insérer. Insérer un foret propre jusqu'à ce que le foret de perçage soit cannelé (pour les petits forets) ou aussi loin que possible pour les forets larges. Fermer le mandrin en tournant le manchon de mandrin dans le sens horaire et bien serrer à la main.

- Pour retirer le foret de la perceuse, déplacer le bouton FWD/RED à sa position centrale et tourner le segment d'embrayage jusqu'au symbole du foret de perceuse. Tourner le manchon de mandrin dans le sens horaire (vue de l'extrémité du mandrin) jusqu'à ce que les mâchoires du mandrin s'ouvrent un peu plus que le diamètre du foret et retirer le foret.

⚠ ATTENTION

Ne pas utiliser le

courant de la perceuse pour desserrer ou resserrer le foret en tenant le mandrin. Le mandrin tournant provoquera des brûlures de friction ou des blessures des mains.

Les forets de tournevis Phillips et fendus sont inclus dans l'outil avec cette perceuse et s'installent facilement tel qu'indiqué. Ceci est particulièrement utile pour placer/retirer les vis.

Instructions générales de perçage

⚠ AVERTISSEMENT

Porter des lunettes de sécurité pour les opérations de perçage.

⚠ ATTENTION

Toujours

être vigilant et se caler contre l'action de torsion de perçage. En perçant, il faut toujours avoir une prise solide. Le non-respect de cette directive pourrait mener à des blessures.

- Ajuster la bague du mandrin de la perceuse pour que la flèche sur la perceuse pointe vers le symbole de foret de perceuse sur la bague du mandrin.
- Régler le sélecteur de vitesse au réglage voulu. Typiquement, plus le matériau à percer est dur, plus la vitesse doit être plus lente.
- S'assurer que le foret de perçage soit bien installé dans le mandrin.
- S'assurer que le bouton FWD (avant) est entièrement enfoncé. Ceci devrait faire tourner la perceuse vers l'avant, soit dans le sens horaire du point de vue de l'utilisateur.

Instructions générales de perçage (suite)

⚠ ATTENTION

S'assurer que la pièce est bien retenue en place. Cela pourrait exiger de pincer la pièce avec un étau ou de la tenir par d'autres moyens. Une pièce qui bouge pourrait tourner et provoquer des blessures.

- Trouver le centre exact pour le trou à percer et utiliser un pointeau pour faire un petit creux dans le travail.
- Placer le bout du foret de perçage dans ce creux, tenir la perceuse à vif face au travail, appliquer une pression constante et activer la perceuse.

⚠ ATTENTION

Continuer à appliquer une pression uniforme et constante en perçant. Appliquer trop de pression pourrait faire surchauffer le foret ou le casser ce qui pourrait mener à des blessures ou endommager les forets. Trop peu de pression empêchera le foret de couper.

- Si la perceuse cale ou se bloque dans le trou, dégager immédiatement la gâchette. Ne pas continuer à activer la gâchette de l'interrupteur vers l'avant pour dégager le foret car ceci endommagera le moteur. Retirer le foret de la pièce et déterminer la cause du problème avant de reprendre. S'il est difficile de retirer le foret de la pièce de travail, enfoncer complètement le bouton REV et activer l'interrupteur pour retirer le foret. Ensuite, enfoncer complètement le bouton FWD pour reprendre le perçage.
- Lorsque le foret est au point où il traverse presque le matériau à percer, réduire la pression sur la perceuse pour éviter de faire éclater le bois ou de caler dans le métal.
- Lorsque le foret a pénétré entièrement dans le travail et tourne librement, le retirer du travail tandis que le moteur tourne encore, puis éteindre la perceuse.

Percer le bois

En plus des instructions sous le Perçage général, ce qui suit s'applique :

- En perçant un bois plus mou, des réglages de vitesse plus rapide sont normalement utilisés.

- En perçant le bois avec un foret hélicoïdal, le retirer souvent du trou pour retirer les copeaux qui s'accumulent dans les rainures. Ceci évite le surchauffage et la brûlure du travail pendant l'augmentation de vitesse du processus.
- Si on utilise un bloc d'endos pour empêcher l'arrière du travail d'éclater, bien pincer en place. Si l'on n'utilise pas de bloc d'endos avec les forets à trois pointes ou les scies-cloches, laisser aller la pression dès qu'une pointe de foret se casse dans le travail. Retirer le foret et utiliser le trou de percée, repositionner le foret du côté opposé du travail et terminer l'opération.

Percer le métal

En plus des instructions sous le Perçage général, ce qui suit s'applique :

- Utiliser seulement des forets de bonne qualité, tranchants, de haute vitesse en perçant le métal.
- En perçant dans le métal, on utilise normalement des réglages à basse vitesse. Plus le matériau est dur, plus la vitesse doit être plus lente.
- Commencer le perçage à basse vitesse et augmenter graduellement la vitesse tandis que la perceuse coupe.
- En perçant un trou large, il est plus facile de percer d'abord un trou plus petit (pilote) et ensuite l'élargir à la taille requise.
- Utiliser un lubrifiant, comme de l'huile, sur la pointe du foret aide à garder le foret frais, augmente l'action de perçage et prolonge la durée de vie de perçage.

Instructions générales pour visser

⚠ AVERTISSEMENT

Porter des lunettes de sécurité pour les opérations où l'on doit visser.

⚠ ATTENTION

Toujours être vigilant et se caler contre l'action de torsion de perçage. En vissant, il faut toujours avoir une prise solide. Le non-respect de cette directive pourrait mener à des blessures.

- Percer un avant-trou de la bonne taille recommandée par le fabricant des vis pour visser en place.
- Ajuster la bague du mandrin de la perceuse pour que la flèche sur la perceuse pointe vers le réglage de couple voulu. Un réglage inférieur mènera la perceuse à cliquetter plus tôt et alors ne vissera pas dans le travail aussi loin que si l'on utilise un réglage de bague d'embrayage plus élevé.
- Régler le sélecteur de vitesse au réglage de basse vitesse « 1 ».
- Installer le bon foret du tournevis et s'assurer qu'il soit bien installé dans le mandrin.
- S'assurer que le bouton FWD (avant) est entièrement enfoncé. Ceci devrait faire tourner la perceuse vers l'avant, soit dans le sens horaire du point de vue de l'utilisateur.

⚠ ATTENTION

S'assurer que la pièce est bien retenue en place. Cela pourrait exiger de pincer la pièce avec un étau ou de la tenir par d'autres moyens. Une pièce qui bouge pourrait tourner et provoquer des blessures.

- Utiliser les doigts et placer le bout de la vis dans l'avant-trou et tourner dans le sens horaire pour commencer à entrer la vis.
- Placer le foret de tournevis de la bonne taille sur la vis et presser sur la perceuse tout en activant la gâchette de l'interrupteur pour entrer la vis. Il est important que la vis pénètre bien droite dès le début et il faut donc bien presser pour enfoncer la vis bien en place. Si l'on applique trop peu de pression sur la perceuse en vissant, le foret du tournevis pourrait ne pas rester sur la tête de la vis et ceci pourrait endommager ou foirer l'extrémité de la vis.
- Dès que la vis est installée, dégager la gâchette et soulever le tournevis de la tête de la vis. Si la perceuse cliquette avant d'entrer la vis à la profondeur voulue, retirer la perceuse de la tête de la vis et augmenter le réglage de la bague d'embrayage. Répéter le processus.
- Un lubrifiant, tel qu'un savon ou de la cire, peut être utilisé sur les filets de la vis pour faciliter l'entraînement. Ceci est

Instructions générales pour visser (suite)

particulièrement important pour les bois durs.

- Les vis comprennent normalement une section fileté, une section à queue où il n'y a pas de filets et la tête de la vis. Il est parfois préférable de percer des trous/fraises en une opération et il y a différentes combinaisons de forets (par ex. foret pilote/tige, foret de mandrin/fraisé) disponibles des fournitures locales pour ces combinaisons.

Visser les vis à bois

En plus des instructions sous le Perçage général, ce qui suit s'applique :

- Avant d'entrer en place une vis à bois, il est recommandé de percer d'abord un avant-trou (un trou de queue au besoin). Consulter le tableau plus bas pour les recommandations en utilisant les tailles de vis courantes.

Visser les vis autotaraudeuses

En plus des instructions sous le Perçage général, ce qui suit s'applique :

- Avant d'entrer les vis autotaraudeuses en place, percer un avant-trou de la taille recommandée par le fabricant. Placer le bout de la vis dans le trou pré-percé et en tenant bien la vis délicatement, commencer à enfoncer lentement la vis. Après un bon début, cesser de tenir les filets de la vis et terminer le vissage. Dès que la vis est installée, dégager la gâchette et soulever la perceuse de la tête de la vis.

Visser les vis à métaux

En plus des instructions sous le Perçage général, ce qui suit s'applique :

- Avant de visser les vis à métaux en place, percer et tarauder un trou de la taille recommandée par le fabricant. Commencer à visser dans le trou taraudé à la main et lorsqu'elle est bien en place, cesser de tenir la vis et commencer à visser lentement avec la perceuse. Lorsque la vis est bien installée, dégager la gâchette et soulever la perceuse de la tête de la vis.

Retirer les vis

Pour retirer une vis de la pièce de travail, suivre ces étapes :

- Régler la bague de réglage d'embrayage à son réglage le plus élevé et placer le sélecteur de vitesse au réglage de basse vitesse « 1 ».
- Installer le bon foret de tournevis dans le mandrin de perceuse.
- Enfoncer complètement le bouton REV.
- Placer le foret du tournevis dans la tête de la vis et avec suffisamment de pression sur la perceuse pour qu'elle ne saute pas de la tête de la vis, mettre la perceuse en marche pour retirer la vis.

Entretien

Nettoyage

Toutes les pièces de plastique doivent être nettoyées avec un chiffon humide souple. NE JAMAIS utiliser de solvants sur les pièces de plastique propres. Ils pourraient dissoudre ou endommager le matériau.

Ne démarre pas

Si votre outil ne démarre pas, s'assurer que le bloc-batteries est chargé et installé sur la perceuse.

Service de la batterie

Le bloc-batteries fourni avec cette perceuse se déchargera automatiquement et perdra sa capacité avec le temps. S'il est rangé pendant un certain temps sans l'utiliser, il faudra probablement recharger avant l'utilisation. Pour retirer le plus de votre bloc-batteries, il est recommandé de recharger le bloc tous les 2 à 3 mois et à ce moment, retirer le bloc du chargeur après 2 à 3 heures de charge.

RECOMMANDATIONS POUR VISSER LES VIS À BOIS

TAILLE DE VIS	DIAMÈTRE DE FORET PILOTE		DIAMÈTRE DE FORET PILOTE	FORETS DE TOURNEVIS	
	(BOIS MOU)	(BOIS DUR)		FORET FENDU	FORET PHILLIPS
#6	1/16 po (0.063 po)	5/64 po (0.078 po)	9/64 po (0.141 po)	3/16 po	#2
#8	5/64 po (0.078 po)	3/32 po (0.094 po)	11/64 po (0.172 po)	1/4 po	#2
#10	3/32 po (0.094 po)	7/64 po (0.109 po)	3/16 po (0.188 po)	5/16 po	#2 or #3*
#12	7/32 po (0.219 po)	1/8 po (0.125 po)	7/32 po (0.219 po)	3/8 po	#3

* Certains styles à tête dans cette taille prennent un foret Phillips 2 et d'autres 3.

Entretien (suite)

Retirer/remplacer le mandrin

S'il faut remplacer le mandrin, il faut le faire comme ceci :

- Retirer les batteries de la perceuse.
- Tourner la bague d'embrayage jusqu'à ce que le symbole de foret de la perceuse s'aligne avec la flèche sur le dessus du boîtier de la perceuse.
- Ouvrir les mâchoires du mandrin jusqu'au bout en dévissant le manchon du mandrin dans le sens antihoraire (en regardant l'extrémité du mandrin).
- Placer la vis du côté gauche dans le mandrin et avec le bon foret retirer cette vis en tournant dans le sens horaire.

- Insérer le bras court d'une clé hexagonale de 3/8 po ou clé Allen dans le mandrin et resserrer les mâchoires du mandrin sur les méplats de la clé.
- Utiliser un marteau ou outil semblable, frapper le bras long de la clé pour que le mandrin tourne dans le sens antihoraire.
- Lorsque le mandrin est desserré, retirer la clé et dévisser le mandrin de sa broche.
- Pour remplacer le mandrin pas un autre, inverser les étapes précédentes. Toujours garder les filets de la broche, les filets du mandrin et la vis de retenue libres de débris.

Service

⚠ ATTENTION

Tout le travail d'entretien et de réparation de l'outil doit être effectué seulement par un CENTRE DE SERVICE AUTORISÉ. L'entretien ou les réparations non effectué(e)s par un personnel qualifié pourraient mener à des blessures.

Pour obtenir de l'information sur le fonctionnement ou la réparation de ce produit, appeler le 1-800-424-8936.

Pour Pièces de Rechange ou assistance technique, appeler 1-800-424-8936

Description	N° de Pièce
Chargeur – 18V	DG024700AV
Bloc-piles – 18V	DG204900AV
Mandrin – 3/8 po	DG029900AV
Vis de serrage	SX173400AV

S'il vous plaît fournir l'information suivante:

- Numéro de Modèle
- Numéro de série (si présent)
- Description et numéro de la pièce

Adresser toute correspondance à

Campbell Hausfeld
Attn: Parts Department
100 Production Drive
Harrison, OH 45030 U.S.A

Garantie Limitée

1. DURÉE : Une (1) année à partir de la date d'achat par l'acheteur original de la perceuse. Les batteries sont garanties pour un (1) an.
2. GARANTIE ACCORDÉE PAR (GARANT) : Campbell Hausfeld/Scott Fetzer Company, 100 Production Drive, Harrison, Ohio, 45030, Téléphone: (800) 424-8936.
3. BÉNÉFICIAIRE DE CETTE GARANTIE (ACHETEUR) : L'acheteur original (sauf en cas de revente) du produit Campbell Hausfeld.
4. QUELS PRODUITS SONT COUVERTS SOUS CETTE GARANTIE : Tout outil électrique sans cordon Campbell Hausfeld fourni ou fabriqué par le garant.
5. COUVERTURE DE LA PRÉSENTE GARANTIE : Défauts de matière et de fabrication considérables qui se révèlent pendant la période de validité de la garantie.
6. LA PRÉSENTE GARANTIE NE COUVRE PAS :
 - A. Les garanties implicites, y compris celles de commercialisabilité et D'ADAPTION À UNE FONCTION PARTICULIÈRE SONT LIMITÉES À PARTIR DE LA DATE D'ACHAT INITIALE TELLE QU'INDIQUÉE DANS LA SECTION DURÉE. Si ce produit est utilisé pour une fonction commerciale, industrielle ou pour la location, la durée de la garantie sera quatre-vingt-dix (90) jours à compter de la date d'achat. Quelques Provinces (États) n'autorisent pas de limitations de durée pour les garanties implicites. Les limitations précédentes peuvent donc ne pas s'appliquer.
 - B. TOUT DOMMAGE, PERTE OU DÉPENSE FORTUIT OU INDIRECT POUVANT RÉSULTER DE TOUT DÉFAUT, PANNE OU MAUVAIS FONCTIONNEMENT DU PRODUIT CAMPBELL HAUSFELD. Quelques Provinces (États) n'autorisent pas l'exclusion ni la limitation des dommages fortuits ou indirects. La limitation ou exclusion précédente peut donc ne pas s'appliquer.
 - C. Toute panne résultant d'un accident, d'une utilisation abusive, de la négligence ou d'une utilisation ne respectant pas les instructions données dans le(s) manuel(s) accompagnant le produit. Un accident, l'utilisation abusive par l'acheteur, la négligence ou le manque de faire fonctionner les produits selon les instructions comprend aussi l'enlèvement ou la modification de n'importe quel appareil de sûreté. Si ces appareils de sûreté sont enlevés ou modifiés, la garantie sera annulée.
 - D. Réglages normaux qui sont expliqués dans le(s) manuel(s) d'utilisation accompagnant le produit.
 - E. Articles ou services qui sont exigés normalement pour l'entretien normal du produit par ex. contacts, prises, ressorts, gâchettes ou toute autre pièce consommable non spécifiquement indiquée. Ces articles ne seront couverts que pendant quatre-vingt-dix (90) jours de la date d'achat original.
7. RESPONSABILITÉS DU GARANT AUX TERMES DE CETTE GARANTIE : Réparation ou remplacement, au choix du Garant, des produits ou pièces qui se sont révélés défectueux pendant la durée de validité de la garantie.
8. RESPONSABILITÉS DE L'ACHETEUR AUX TERMES DE CETTE GARANTIE :
 - A. Fournir une preuve d'achat datée et un état d'entretien.
 - B. Appelez Campbell Hausfeld (800-424-8936) pour obtenir vos options de service sous garantie. Les frais de transport sont la responsabilité de l'acheteur.
 - C. Utilisation et entretien du produit avec un soin raisonnable, ainsi que le décrit le(s) manuel(s) d'utilisation.
9. RÉPARATION OU REMPLACEMENT EFFECTUÉ PAR LE GARANT AUX TERMES DE LA PRÉSENTE GARANTIE : La réparation ou le remplacement sera prévu et exécuté en fonction de la charge de travail dans le centre de service et dépendra de la disponibilité des pièces de rechange.

Cette Garantie Limitée s'applique aux É.-U., au Canada et au Mexique seulement et vous donne des droits juridiques précis. L'acheteur peut également jouir d'autres droits qui varient d'une Province, d'un État ou d'un Pays à l'autre.

Sírvase leer y guardar estas instrucciones. Lea con cuidado antes de tratar de armar, instalar, manejar o darle servicio al producto descrito en este manual. Protéjase Ud. y a los demás observando todas las reglas de seguridad. El no seguir las instrucciones podría resultar en heridas y/o daños a su propiedad. Guarde este manual como referencia.



Taladro/destornillador inalámbrico y cargador

Para desempacar

Al desempacar este producto, revíselo con cuidado para cerciorarse de que esté en perfecto estado

Informaciones Generales de Seguridad

Este manual contiene información que es muy importante que sepa y comprenda. Esta información se la suministramos como medida de SEGURIDAD y para EVITAR PROBLEMAS CON EL EQUIPO. Debe reconocer los siguientes símbolos.

⚠ PELIGRO

Esto le indica que hay una situación inmediata que LE OCASIONARIA la muerte o heridas de gravedad.

⚠ ADVERTENCIA

Esto le indica que hay una situación que PODRIA ocasionarle la muerte o heridas de gravedad.

⚠ PRECAUCION

Esto le indica que hay una situación que PODRIA ocasionarle heridas no muy graves.

⚠ AVISO

Esto le indica una información importante, que de no seguirla, le podría ocasionar daños al equipo.

Las siguientes precauciones de seguridad se deben seguir en todo momento junto con cualquier otra norma de seguridad.

1. Lea con cuidado los manuales incluidos con este producto. Familiarícese con los controles y el uso adecuado del equipo.
2. Sólo aquellas personas completamente familiarizadas con estas normas de funcionamiento seguro deben utilizar la herramienta neumática.



Producto	Voltaje	Velocidad sin carga	Capacidad máx. del portabroca	Baterías	Cargador de baterías
DG201800CD	18 V dc	0-360/0-1030 min ⁻¹	Ø 3/8 po Ø 10 mm	DG024900AV	DG024700AV

RECORDATORIO: ¡Guarde su comprobante de compra con fecha para fines de la garantía! Adjúntela a este manual o archívela en lugar seguro.

Advertencias de seguridad generales para herramientas eléctricas

AVERTISSEMENT *Lea todas*

las advertencias de seguridad y todas las instrucciones. El no respetar las advertencias e instrucciones puede dar como resultado un choque eléctrico, incendio y/o lesión grave.

GUARDE TODAS LAS ADVERTENCIAS E INSTRUCCIONES PARA REFERENCIA FUTURA.

El término "herramienta eléctrica" en las advertencias se refiere a su herramienta eléctrica (inalámbrica) que funciona a batería.

1) Seguridad en el área de trabajo

- a) **Mantenga el área de trabajo limpia y bien iluminada.**
Las áreas oscuras o desordenadas propician accidentes.
- b) **No haga funcionar herramientas eléctricas en entornos explosivos, como por ejemplo cuando haya polvo, líquidos o gases inflamables.** *Las herramientas eléctricas hacen chispas que pueden encender los gases o el polvo.*
- c) **Mantenga alejados a los niños y observadores mientras hace funcionar una herramienta eléctrica.**
Las distracciones pueden hacerle perder el control.

2) Seguridad eléctrica

- a) **Los enchufes de la herramienta eléctrica deben coincidir con el tomacorriente. Nunca modifique el enchufe de ninguna manera. No use ningún enchufe adaptador con herramientas eléctricas con conexión a tierra.** *Los enchufes no modificados y los tomacorrientes correspondientes reducirán el riesgo de choque eléctrico.*

- b) **Evite el contacto corporal con las superficies conectadas a tierra, tales como tuberías, radiadores, cocinas eléctricas y refrigeradores.** *Existe un mayor riesgo de choque eléctrico si su cuerpo está conectado a tierra.*
- c) **No exponga las herramientas eléctricas a la lluvia ni a superficies mojadas.** *Si entra agua dentro de una herramienta eléctrica, aumentará el riesgo de choque eléctrico.*
- d) **Trate el cable con cuidado. Nunca use el cable para transportar, tirar o desenchufar la herramienta eléctrica. Mantenga el cable alejado del calor, aceite, bordes filosos o piezas móviles.** *Los cables dañados o enredados aumentan el riesgo de choque eléctrico.*
- e) **Cuando maneje una herramienta eléctrica en exteriores, use un cable de extensión adecuado para uso en exteriores.** *El uso de un cable adecuado para exteriores reduce el riesgo de choque eléctrico.*
- f) **Si no se puede evitar usar una herramienta eléctrica en una ubicación húmeda, use una fuente protegida con un dispositivo de corriente residual (CR).** *El uso de un dispositivo de corriente residual reduce el riesgo de choque eléctrico.*
- g) **Sostenga las herramientas eléctricas por las superficies de sujeción aisladas cuando realice una operación en la que la herramienta de corte pueda entrar en contacto con cableado oculto o con su propio cable.** *Al entrar en contacto con un cable con corriente las piezas metálicas de la herramienta conducirán la electricidad y el usuario recibirá un choque eléctrico.*

h) Si se usa un cable de extensión, asegúrese de lo siguiente:

- El tamaño del cable es al menos el especificado en la tabla llamada "Tamaño mínimo del cable (AWG) de extensión para el cargador de batería".
- Las clavijas del enchufe del cable de extensión tienen el mismo número, tamaño y forma que las del enchufe del cargador.
- El cable de extensión está correctamente cableado y en buenas condiciones eléctricas.
- El cable de extensión, si se va a utilizar en exteriores, está marcado con el sufijo "W-A" o "W". Esto debe cumplir con la designación del tipo de cable (por ej. SJTW-A). Este tipo de designación indica que es aceptable para uso en exteriores.
- i) **Recargue esta herramienta a batería únicamente con el cargador que se especifica para la batería. Un cargador apto para un solo tipo de batería puede provocar un riesgo de incendio cuando se usa con otra batería.**
- j) **Use esta herramienta a batería únicamente con su paquete de batería indicado. El uso de cualquier otra batería puede provocar un riesgo de incendio.**

Tamaño mínimo del cable (AWG) de extensión para el cargador de batería				
Largo del cable en pies	25	50	100	150
Tamaño AWG del cable	18	18	18	16

Advertencias de seguridad generales para herramientas eléctricas (continuación)

3) Seguridad personal

a) Manténgase alerta, preste atención a lo que hace y use su sentido común cuando maneje cualquier herramienta eléctrica. No use una herramienta eléctrica si está cansado o bajo la influencia de drogas, alcohol o medicamentos. *Un momento de distracción mientras maneja cualquier herramienta eléctrica puede dar como resultado graves lesiones personales.*

b) Use equipo de protección personal. Siempre use protección para los ojos. *El equipo de protección como por ejemplo una máscara para polvo, calzado de seguridad antideslizante, casco o protección auditiva usado para las condiciones adecuadas reducirá las lesiones personales.*

c) Evite que la herramienta eléctrica se encienda accidentalmente. Asegúrese de que el interruptor esté en la posición de apagado antes de conectar la fuente de energía y/o la batería, levantar o transportar la herramienta. *El transportar herramientas eléctricas con el dedo en el interruptor de encendido o dar energía a herramientas eléctricas que tienen el interruptor en la posición de encendido favorece la ocurrencia de accidentes.*

d) Quite todas las llaves de ajuste o llaves de tuercas antes de encender la herramienta eléctrica. *Una llave de ajuste o llave de tuercas adjunta a una pieza giratoria de la herramienta eléctrica puede provocar lesiones personales.*

e) No intente alcanzar lugares alejados. Mantenga un buen soporte y equilibrio en todo momento. *Esto le permitirá un mayor control de la herramienta eléctrica en situaciones inesperadas.*

f) Vístase adecuadamente. No use alhajas ni vestimenta suelta. Mantenga su cabello, vestimenta y guantes alejados de las piezas móviles. *Las alhajas, las prendas sueltas y el cabello largo pueden quedar atrapados en las partes móviles.*

g) Si se proporcionan dispositivos para la conexión de instalaciones de extracción y recolección de polvo, asegúrese de que los mismos estén conectados y se usen adecuadamente. *El uso de un recolector de polvo puede reducir los riesgos relacionados con el polvo.*

h) PROPOSICIÓN DE CALIFORNIA 65

⚠ DANGER



Quando corta, lija, taladra o pule materiales como por ejemplo madera, pintura, metal, hormigón, cemento, u otro tipo de mampostería se puede producir polvo. Con frecuencia este polvo contiene productos químicos que se conocen como causantes de cáncer, defectos de nacimiento u otros daños reproductivos. Use equipo de protección.

i) **⚠ AVERTISSEMENT**

Este producto o su cable de corriente contienen plomo, un químico que es conocido por el Estado de California como causante de cáncer y defectos de nacimiento u otros daños reproductivos. Lávese las manos después de manipularlo.

j) Algunas maderas contienen conservadores que pueden ser tóxicos. Tenga especial cuidado para evitar la inhalación y el contacto de la piel con estos materiales. Solicite y cumpla con toda la información de seguridad disponible por parte de su proveedor de materiales.

k) **⚠ AVERTISSEMENT**

No use este producto en forma inadecuada. La exposición excesiva a la vibración, trabajar en posiciones incómodas y los movimientos de trabajo repetitivos pueden causar lesiones a las manos y brazos. Deje de usar cualquier herramienta si aparece incomodidad, cosquilleo o dolor y consulte a un médico.

l) Trabaje siempre en un área bien ventilada. Use una máscara para polvo aprobada por OSHA.

m) Mantenga las manos alejadas de las piezas giratorias.

n) Use sujetadores u otra manera práctica de asegurar la pieza de trabajo a una plataforma estable. Nunca sostenga el trabajo en sus manos, su regazo o contra otras partes de su cuerpo cuando taladre/atornille.

o) Antes de usar el cargador de la batería, lea todas las instrucciones del cargador, la batería y el producto.

p) No intente desarmar la batería ni quitar ningún componente que sobresalga de los terminales de la batería. Puede provocar un incendio o lesiones.

4) Uso y cuidado de la herramienta eléctrica

a) No fuerce la herramienta eléctrica. Use la herramienta eléctrica correcta para su aplicación. *La herramienta eléctrica correcta hará el trabajo mejor y en forma más segura a la velocidad para la cual fue diseñada.*

Advertencias de seguridad generales para herramientas eléctricas (continuación)

- b) No use la herramienta eléctrica si el interruptor no la enciende y la apaga.**
Cualquier herramienta eléctrica que no pueda ser controlada con el interruptor es peligrosa y debe repararse.
- c) Desconecte el enchufe de la fuente de energía y/o la batería de la herramienta eléctrica antes de hacer cualquier ajuste, cambiar accesorios o guardar herramientas eléctricas.**
Dichas medidas de seguridad preventivas reducen el riesgo de que la herramienta eléctrica se active por accidente.
- d) Guarde las herramientas eléctricas que no estén en uso fuera del alcance de los niños y no permita que personas que no estén familiarizadas con la herramienta eléctrica o con estas instrucciones la usen.**
Las herramientas eléctricas son peligrosas cuando están en manos de usuarios inexpertos.
- e) Realice el mantenimiento a las herramientas eléctricas. Verifique que las piezas móviles no estén desalineadas ni adheridas, que no haya piezas rotas y que no exista ningún otro problema que pueda afectar el funcionamiento de la herramienta eléctrica. Si está dañada, haga reparar la herramienta eléctrica antes de usarla.**
Muchos accidentes son causados por herramientas eléctricas que no tienen un mantenimiento adecuado.
- f) Mantenga sus herramientas para cortar afiladas y limpias.**
Es menos probable que las herramientas de corte con un mantenimiento adecuado y con bordes de corte afilados se atasquen y además son más fáciles de controlar.
- g) Use los accesorios, las brocas y puntas, etc. de la herramienta eléctrica de acuerdo con estas instrucciones, teniendo en cuenta las condiciones de trabajo y el trabajo a realizar.**
El uso de la herramienta eléctrica para funciones diferentes de aquellas para las que fue diseñada puede provocar una situación peligrosa.
- h) Cuando la batería no está en uso, manténgala alejada de los objetos metálicos como sujetadores de papel, monedas, llaves, clavos, tornillos u otros objetos similares para que no exista un riesgo de que los terminales de la batería queden conectados entre sí (es decir en "cortocircuito").**
Hacer un puente entre los terminales de la batería puede provocar chispas, quemaduras, incendios, choque eléctrico o daños a la batería.
- i) No la use si las mordazas del portabrocas u otras piezas están partidas o desgastadas.**
- j) Verifique la rotación del taladro antes de comenzar a taladrar/atornillar, para que sea la correcta para la operación que se va a realizar.**
- k) No use el taladro como una buriladora ni trate de alargar o agrandar agujeros torciendo el taladro. Las brocas del taladro pueden quebrarse y provocar lesiones.**
- l) Cada taladro está equipado con un portabrocas capaz de manejar brocas de hasta cierto tamaño. Para el taladro DG20419, no se deben usar brocas con diámetros de eje mayores de 3/8 pulg. (10 mm).**
- m) Asegúrese de que el interruptor esté en la posición de apagado antes de introducir la batería.**
Introducir la batería en herramientas eléctricas con el interruptor en la posición de encendido favorece la ocurrencia de accidentes.
- n) Recargue la batería únicamente con el cargador que se proporciona con esta herramienta.**
Un cargador adecuado para un tipo de batería puede provocar un riesgo de incendio cuando se usa con otra batería.
- o) Use este taladro únicamente con la batería que se proporciona o con la batería de repuesto recomendada según las especificaciones del fabricante.**
El uso de cualquier otra batería puede crear un riesgo de lesiones o incendio.
- p) Cargue la batería en un área bien ventilada. No permita que ningún objeto cubra el cargador ni la batería mientras está cargando.**
- q) No haga funcionar el cargador de la batería si su enchufe o cable están dañados. Si estos componentes están dañados, haga que una persona calificada en reparación los reemplace de inmediato.**
- r) No haga funcionar el cargador si se ha caído, ha recibido un golpe fuerte, o ha sido dañado de otra manera. Si está dañado, haga que una persona calificada en reparación le realice un servicio.**

Advertencias de seguridad generales para herramientas eléctricas (continuación)

- s) Asegúrese de que el cable esté ubicado de tal manera que nadie lo pise ni se tropiece con él, y que no esté sujeto de alguna otra manera a algún daño o tensión.
- t) No guarde el cargador ni la batería en lugares donde la temperatura pueda alcanzar o exceder los 120°F (49°C), como un cobertizo para herramientas de metal o un automóvil en verano. Esto puede provocar el deterioro de estos componentes.
- u) Para lograr una carga óptima de la batería, la carga se debe realizar a temperaturas entre 32°F y 86°F (0°C a 30°C). El cargar la batería fuera de este rango recomendado puede afectar el rendimiento de la batería de manera adversa.
- v) No cargue la batería en lugares mojados ni húmedos.
- w) No cargue la batería si se siente caliente al tacto. Espere que se enfríe.
- x) Como esta herramienta está equipada con baterías de níquel-cadmio, la batería debe reciclarse o desecharse de manera que no dañe el medio ambiente. Consulte al Departamento de Obras Públicas de su condado para obtener información sobre cómo reciclar baterías de níquel-cadmio. Antes de desecharla, aisle los terminales metálicos de la batería cubriéndolos en forma segura con cinta aisladora resistente para evitar un posible cortocircuito.
- y) No incinere la batería ya que podría explotar en el fuego.

5) Servicio

Haga que una persona calificada en reparación le realice el servicio a su herramienta eléctrica usando únicamente piezas de repuesto idénticas. Esto asegurará que se mantenga la seguridad de la herramienta eléctrica.

Funcionamiento de la herramienta

La fuente de energía de este taladro proviene de las baterías que se proporcionan. Es importante que el usuario comprenda lo siguiente a fin de obtener el mayor rendimiento de la batería y del cargador de la batería.

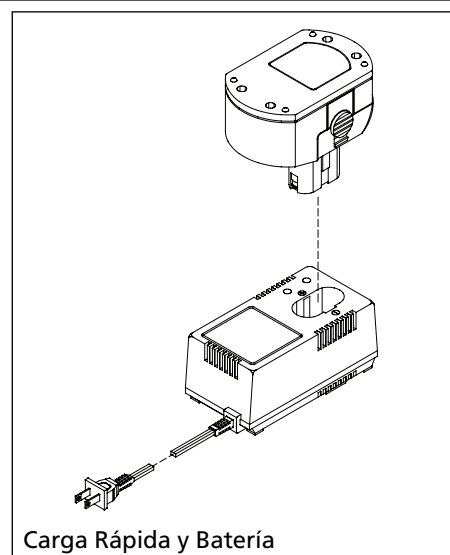
Instalación / Remoción de la batería del taladro

- Para instalar la batería en el taladro, introduzca la porción protuberante de la batería dentro del mango del taladro. Empuje la batería hasta que escuche que la misma queda enganchada en el taladro.
- Para retirar la batería del taladro, presione los dos botones circulares (estriados) que se encuentran en la batería y luego tire de la batería para separarla del taladro.

Carga de la batería

Instalación / Remoción de la batería del cargador de batería

- La batería está diseñada para que únicamente calce en el cargador en una sola orientación, por lo tanto, no hay ningún motivo para forzar la batería dentro del cargador. Para instalar la batería en el cargador, introduzca la parte protuberante de la batería dentro del cargador. La saliente en uno de los lados de la batería debe quedar alineada con la muesca en el cargador de la batería. Una vez que se realiza esta alineación, empuje suavemente la batería hasta que toque el fondo en el cargador.
- Para retirar la batería del cargador, simplemente tire de la batería en dirección vertical hacia afuera del cargador de batería.



Carga Rápida y Batería

Carga inicial

Antes de usar el taladro por primera vez, cargue la batería por completo. Para hacer esto enchufe primero el cargador de la batería en un suministro de corriente de 120V (60 Hz) e introduzca la batería totalmente dentro del cargador, prestando atención a que la saliente de la batería quede orientada de modo que calce en la muesca del cargador de la batería. Cuando se presiona suavemente la batería para que la misma toque el fondo del cargador, la luz roja del cargador debería iluminarse. Esto indica que la batería se está cargando. Una vez que la batería esté totalmente cargada, se debería iluminar la luz verde del cargador. Este proceso de carga debería llevar aproximadamente una hora.

Notas adicionales sobre la carga

- Durante el uso normal, la batería perderá eventualmente su capacidad y cuando esto suceda, habrá una diferencia notoria en el rendimiento del taladro. Es en este momento que la batería está casi descargada y debe volver a cargarse. Si la batería está tibia o caliente al tacto, deje que se enfríe antes de colocarla en el cargador. Esto permitirá que la batería acepte una carga completa mientras que no podrá hacerlo si se introduce en el cargador mientras tiene una temperatura elevada.

Funcionamiento de la herramienta (continuación)

- Con el tipo de batería proporcionada con este taladro, es decir del tipo Ni-Cd o níquel-cadmio, es mejor cargar la batería cuando está casi totalmente descargada. Este es el momento en el que hay una diferencia notoria en el rendimiento del taladro. Si se coloca la batería en el cargador antes de que llegue a este estado, existe la posibilidad de que no se optimice la capacidad/vida útil de la batería. También es importante tener en cuenta que una batería no debe descargarse más que cuando llega al estado de rendimiento notorio mencionado anteriormente ya que esto puede provocar un daño irreversible en la batería.
- Por último, para obtener el mejor rendimiento de su batería, se recomienda encarecidamente no dejar las baterías en el cargador durante más de 3 horas. Por lo tanto una vez que alcancen su carga completa (que se indica cuando se enciende la luz verde en el cargador), es mejor retirar la batería en ese momento o en un momento próximo.

Botón de avance/retroceso

Este taladro está equipado con un botón de avance/retroceso (rojo) que se usa para cambiar la dirección de rotación de la broca del taladro. Se recomienda que el usuario verifique el sentido de la rotación antes de realizar el trabajo. Si el botón de avance (FWD) se presiona firmemente desde el lado derecho del taladro cuando el usuario lo está sosteniendo, la rotación del taladro será en la dirección de avance, o hacia la derecha cuando se mira el portabrocas desde el punto de vista del usuario. Esta es la dirección de rotación recomendada para taladrar orificios o atornillar tornillos. Al presionar firmemente el botón de retroceso (REV), ubicado en el lado izquierdo de la herramienta, la rotación del taladro será hacia la izquierda. Esta dirección

de rotación se recomienda para quitar tornillos. También es útil si se ha atascado una broca cuando se taladraba en la dirección de avance.

No intente cambiar la rotación a menos que el portabrocas se haya detenido por completo. El no hacerlo puede dañar la herramienta.

Si el botón de avance y retroceso (FWD/REV) está centrado en la carcasa del taladro, es decir que no está presionado totalmente para ninguno de los dos lados, entonces el gatillo debe estar bloqueado en la posición de apagado "OFF".

Gatillo interruptor de velocidad variable

Este taladro está equipado con un interruptor de velocidad variable. Al aplicar más presión al gatillo interruptor (rojo), la velocidad del taladro aumenta. Al disminuir la presión se reducirá la velocidad del taladro. Este preciso control de velocidad permite al usuario comenzar a taladrar un orificio lentamente sin tener que hacer un orificio inicial con el punzón, o comenzar lentamente a atornillar tornillos antes de aumentar la velocidad de funcionamiento.

Engranajes de dos velocidades

Además del interruptor de velocidad variable, este taladro también está equipado con una caja de engranajes de dos velocidades. La posición baja (ajuste "1") proporciona torsión alta y velocidades más bajas de perforación para trabajo pesado o para atornillar tornillos. La posición alta (ajuste "2") proporciona velocidades más altas y es particularmente útil para perforar materiales más blandos. Para cambiar al valor de velocidad alta, empuje la perilla de selección de velocidad (roja) totalmente hacia adelante. Para el valor de velocidad baja, mueva la perilla de selección de velocidad totalmente hacia la parte trasera del taladro. Es importante que la perilla quede colocada totalmente hacia adelante o hacia atrás, cualquier otra posición entre estos dos extremos puede causar daños al taladro.

Si se accionó el taladro pero el portabrocas no está girando, suelte toda la presión del interruptor y luego deslice el accionador del interruptor a la posición deseada.

Freno eléctrico

Este taladro está equipado con un freno eléctrico que se usa para detener rápidamente el portabrocas. Esto es útil cuando el trabajo requiere taladrado o remoción de tornillos en forma reiterada. Esto se activa simplemente soltando el accionador del interruptor mientras está girando el taladro. Cuando se activa el freno eléctrico, es común observar un arco eléctrico momentáneo dentro del propio taladro.

Embrague ajustable

Este taladro/destornillador cuenta con 16 configuraciones de embrague. La torsión de salida aumentará a medida que el collar de embrague se gire de 1 a 15. La posición de la broca del taladro traba el embrague para permitir una perforación para trabajos pesados y para trabajar con el destornillador. También permite cambiar las brocas rápida y fácilmente en el portabrocas sin llave. Este embrague ajustable es particularmente útil cuando se atornillan tornillos. Un valor más bajo del embrague desembragará más pronto que un valor más alto del embrague, es decir, limitará la profundidad a la que se atornille el tornillo. Cuando se atornillan tornillos, es mejor comenzar con un valor más bajo del embrague y ajustar este collar hacia arriba hasta que el tornillo llegue a la profundidad deseada.

Niveles de burbuja

Este taladro/destornillador está equipado con dos niveles de burbuja para hacer que sea más fácil para el usuario taladrar perpendicularmente. Tiene un nivel horizontal en la parte superior del taladro para taladrar/atornillar horizontalmente, la burbuja de este nivel en particular debe estar centrada entre las dos líneas del nivel. Para aquellos trabajos en los que el usuario desee taladrar verticalmente hacia arriba y hacia abajo hay otro nivel en la parte trasera del taladro para ese uso en particular. Para el taladrado vertical, el centro de la burbuja debería estar en la intersección la cruz.

Funcionamiento de la herramienta (continuación)

Soporte magnético para tornillos

Este taladro/destornillador está equipado con un imán en la parte superior del mismo, debajo del símbolo de imán en herradura. Esto es útil para guardar tornillos cuando se realiza un trabajo repetitivo.

Luces indicadoras del medidor de carga de la batería

Este taladro/destornillador está equipado con un medidor de carga de la batería. Está ubicado en la parte superior del taladro y se compone de tres luces verdes y un botón negro. Para verificar el estado de la batería, presione el botón negro cuando el taladro esté apagado. Si se iluminan las tres luces verdes, esto indica una batería con carga completa o casi completa. Si solo se ilumina una luz verde, la batería está próxima al punto en el que debería recargarse. Si no se ilumina ninguna luz, la batería necesita ser recargada.

Colocación / remoción de brocas

- Para fijar la broca en el taladro, mueva el botón de avance y retroceso (FWD/REV) a su posición central y gire el anillo de embrague hasta el símbolo de broca del taladro. Gire el manguito del portabrocas hacia la izquierda (mirando desde el extremo del portabrocas) hasta que las mordazas del portabrocas se abran un poco más que el diámetro de la broca a colocar. Coloque una broca limpia hasta las estrías de la broca (para brocas más pequeñas) o hasta donde llegue para brocas grandes. Cierre el portabrocas girando el manguito hacia la derecha y ajuste a mano en forma segura.
- Para quitar la broca del taladro, mueva el botón de avance y retroceso (FWD/REV) a su posición central y gire el anillo de embrague hasta el símbolo de broca del taladro. Gire el manguito del portabrocas hacia la derecha (mirando desde el extremo del portabrocas) hasta que las mordazas

del portabrocas se abran un poco más que el diámetro de la broca y luego retire la broca.

⚠ ATTENTION

No use la corriente del taladro para aflojar ni ajustar la broca mientras sostiene el portabrocas. Al girar, el portabrocas causará quemaduras por fricción y lesiones en la mano.

Con este taladro se incluyen incorporadas puntas de destornillador Phillips o de paleta y se pueden instalar fácilmente como se explicó anteriormente. Éstas son particularmente útiles para atornillar y quitar tornillos.

Instrucciones generales de taladrado

⚠ AVERTISSEMENT *Se deberán usar gafas de seguridad durante las operaciones de taladrado.*

⚠ ATTENTION

Siempre esté atento y contrarreste la acción giratoria del taladro. Cuando se taladre siempre debe usarse un asimiento firme. El no hacerlo podría ocasionarle lesiones corporales.

- Ajuste el collar del portabrocas del taladro de modo que la flecha en el cuerpo del taladro apunte hacia el símbolo de la broca en el collar del portabrocas.
- Ajuste el selector de velocidad a la velocidad deseada. Generalmente cuanto más duro sea el material a taladrar, más lenta es la velocidad recomendada.
- Asegúrese de que la broca del taladro esté fijada con seguridad en el portabrocas.
- Asegúrese de que el botón de avance (FWD) esté totalmente presionado. Esto hará que el taladro gire en la dirección de avance, es decir, hacia la derecha cuando se mira desde el punto de vista del usuario.

⚠ ATTENTION

Asegúrese de que la pieza de trabajo esté asegurada. Esto puede implicar sujetarla en una prensa o sostenerla con seguridad por otro medio de sujeción. Una pieza de trabajo floja puede girar y causar lesiones corporales.

- Ubique el centro del orificio a taladrar y usando un punzón, haga una pequeña muesca en la pieza de trabajo.
- Coloque la punta de la broca del taladro en esta marca, sostenga el taladro perpendicular a la pieza de trabajo, aplique una presión constante y accione el interruptor del taladro.

⚠ ATTENTION

Continúe aplicando una presión firme y pareja mientras taladra. El aplicar demasiada presión puede causar que la broca se recaliente y/o se quiebre, lo cual podría provocar lesiones corporales o daños a las brocas. Una presión demasiado suave evitará que la broca perforo la pieza de trabajo.

- Si el taladro pierde sustentación o se atasca en el orificio, suelte el gatillo de inmediato. No continúe accionando el gatillo en la dirección de avance para liberar la broca atascada, ya que esto dañará el motor. Quite la broca de la pieza de trabajo y determine la causa de la pérdida de sustentación o atascamiento antes de volver a comenzar. Si se dificulta la remoción de la broca de la pieza de trabajo, entonces presione totalmente el botón de retroceso (REV) y accione el interruptor para quitar la broca. Luego presione totalmente el botón de avance (FWD) antes de retomar el trabajo de taladrado.
- Cuando la broca esté a punto de salir por el otro lado del material que se está taladrando, reduzca la presión sobre el taladro para evitar astillar la madera o que pierda sustentación en una pieza de trabajo de metal.

Instrucciones generales de taladrado (continuación)

- Cuando la broca haya penetrado la pieza de trabajo por completo y esté girando libremente, retírela de la pieza de trabajo mientras el motor aún está en funcionamiento y luego apague el taladro.

Cómo perforar madera

Además de las pautas proporcionadas en las instrucciones generales de taladrado, también se aplica lo siguiente:

- Cuando taladre madera más blanda, generalmente se usan velocidades más altas.
- Cuando taladre madera usando una broca helicoidal, retírela frecuentemente del orificio para quitar las láminas que se acumulan en las estrías. Esto ayuda a evitar el sobrecalentamiento y quemar el material a la vez que acelera el proceso de taladrado.
- Si se utiliza un bloque de apoyo para que la parte trasera de la pieza de trabajo no se astille, sujételo en su lugar en forma segura. Si no se usa un bloque de apoyo con las brocas de paleta o brocas de campana, libere la presión ejercida sobre el taladro en cuanto la punta de la broca perfora la pieza de trabajo. Quite la broca y usando el orificio de salida, vuelva a colocar la broca en el lado opuesto de la pieza de trabajo y termine la operación de taladrado.

Taladrado en metal

Además de las pautas proporcionadas en las instrucciones generales de taladrado, también se aplica lo siguiente:

- Use únicamente brocas para alta velocidad, de buena calidad y afiladas cuando taladre metal.
- Cuando se taladra metal, generalmente se usan velocidades más bajas. Cuanto más duro sea el material, más baja debe ser la velocidad de taladrado.
- Comience a taladrar con una velocidad baja y aumente paulatinamente la velocidad a medida que el taladro corta.
- Cuando taladre un orificio grande, es más fácil perforar primero un orificio más pequeño (piloto) y después agrandararlo al tamaño necesario.
- El uso de un lubricante, como el aceite, en la punta del taladro ayuda a mantener la broca fría, aumenta la acción de perforación y prolonga la vida útil de la broca.

Instrucciones generales para atornillar tornillos

AVERTISSEMENT Se deben usar gafas de seguridad durante las operaciones de atornillado.

ATTENTION Siempre esté atento y contrarreste la acción giratoria del taladro. Cuando se atornillen tornillos siempre debe usarse un asimiento firme. El no hacerlo podría ocasionarle lesiones corporales.

- Perfore primero un orificio piloto del tamaño recomendado por el fabricante del tornillo antes de introducir el tornillo en su lugar.
- Ajuste el collar del portabrocas del taladro de modo que el cuerpo del taladro apunte al valor de torsión deseado. Un número más bajo hará que el taladro se desembrague más pronto, es decir, no atornillará el tornillo en la pieza de trabajo hasta la profundidad que lo haría si se usara un valor más alto en el collar de embrague.
- Ajuste el selector de velocidad al valor de velocidad bajo "1".
- Instale la punta adecuada del destornillador y asegúrese que esta punta esté fijada con seguridad en el portabrocas.
- Asegúrese de que el botón de avance (FWD) está totalmente presionado. Esto hará que el taladro gire en la dirección de avance, es decir, hacia la derecha cuando se mira desde el punto de vista del usuario.

RECOMENDACIONES PARA ATORNILLAR TORNILLOS PARA MADERA

TAMANO DEL TOMILLO	DIÁMETRO DE BROCAS PARA ORIFICIOS PILOTO		ORIFICIO PILOTO AVELLANADO	PUNTAS DE DESTORNILLADOR	
	(MADERA BLANDA)	(MADERA DURA)		PUNTA DE PALETA	PUNTA PHILLIPS
#6	1/16" (0.063")	5/64" (0.078")	9/64" (0.141")	3/16"	#2
#8	5/64" (0.078")	3/32" (0.094")	11/64" (0.172")	1/4"	#2
#10	3/32" (0.094")	7/64" (0.109")	3/16" (0.188")	5/16"	#2 or #3*
#12	7/32" (0.219")	1/8" (0.125")	7/32" (0.219")	3/8"	#3

* Algunos estilos de cabeza en este tamaño requieren una punta Phillips N°2 y otros N°3.

Instrucciones generales para atornillar tornillos (continuación)

⚠ ATTENTION

Asegúrese de que la pieza de trabajo esté asegurada.

Esto puede implicar sujetarla en una prensa o sostenerla con seguridad por otro medio de sujeción. Una pieza de trabajo floja puede girar y causar lesiones corporales.

- Usando sus dedos, coloque la punta del tornillo en el orificio piloto y gírelo hacia la derecha para comenzar a atornillarlo perpendicularmente.
- Coloque la punta del destornillador del tamaño adecuado sobre el tornillo mientras ejerce presión sobre el taladro, active el gatillo para atornillar el tornillo en su lugar. Es importante que el tornillo se atornille perpendicularmente desde el inicio, por lo tanto se debe aplicar una presión perpendicular constante para atornillar el tornillo adecuadamente en su lugar. Si se ejerce muy poca presión sobre el taladro durante esta operación de atornillado, puede que la punta del destornillador no permanezca sobre la cabeza del tornillo, esto podría dañar o estropear el extremo del tornillo.
- En cuanto el tornillo quede apoyado, suelte el gatillo y levante el destornillador de la cabeza del tornillo. Si el taladro se desembraga antes de atornillar el tornillo hasta la profundidad deseada, retire el taladro de la cabeza del tornillo y aumente el valor del collar de embrague. Luego repita el proceso de atornillado.
- Se podrá usar un lubricante, como jabón o cera, sobre las roscas de los tornillos para atornillar con más facilidad. Esto es particularmente importante cuando se trabaja con maderas duras.
- Generalmente los tornillos están compuestos por una sección roscada, una sección de espiga en la que no hay roscas y la cabeza del tornillo. En ocasiones es preferible taladrar orificios/avellanados en una operación, y hay diferentes brocas de combinación (por ej. brocas para orificios piloto/de paso, brocas para orificios piloto/avellanados, etc.) disponibles en las tiendas de suministros locales para hacer estas combinaciones.

Cómo atornillar tornillos para madera

Además de las pautas proporcionadas en las instrucciones generales de atornillado, también se aplica lo siguiente:

- Antes de atornillar en su lugar un tornillo para madera, se recomienda que se perfora un orificio piloto (y un orificio avellanado si es necesario). Consulte la tabla que aparece a continuación para ver las recomendaciones cuando se utilizan tamaños comunes de tornillos.

Cómo atornillar tornillos autorroscantes

Además de las pautas proporcionadas en las instrucciones generales de atornillado, también se aplica lo siguiente:

- Antes de atornillar en su lugar el tornillo autorroscante, taladre un orificio piloto del tamaño recomendado por el fabricante. Coloque la punta del tornillo dentro del orificio pretaladrado mientras sostiene suavemente el tornillo en posición perpendicular, comience a atornillar lentamente el tornillo. Una vez que se haya iniciado adecuadamente, deje de sostener las roscas del tornillo y termine de atornillarlo. En cuanto el tornillo quede apoyado, suelte el gatillo y levante el taladro de la cabeza del tornillo.

Cómo atornillar tornillos para metales

Además de las pautas proporcionadas en las instrucciones generales de atornillado, también se aplica lo siguiente:

- Antes de atornillar en su lugar el tornillo para metales, taladre y rosque un orificio del tamaño recomendado por el fabricante. Comience a atornillar con la mano las primeras roscas del tornillo en el orificio roscado y una vez que esté perpendicularmente en su lugar, deje de sostener el tornillo y comience a atornillarlo lentamente con el destornillador. Una vez que el tornillo quede apoyado totalmente, suelte el gatillo y levante el taladro de la cabeza del tornillo.

Cómo quitar tornillos

Para quitar un tornillo de una pieza de trabajo, siga los siguientes pasos:

- Coloque el collar de embrague ajustable en su valor más alto y fije el selector de velocidad en su valor más bajo "1".
- Instale la punta de destornillador adecuada en el portabrocas del taladro.
- Presione totalmente el botón de retroceso (REV).
- Coloque la punta de destornillador en la cabeza del tornillo y ejerciendo suficiente presión sobre el taladro como para que no zafe de la cabeza del tornillo, encienda el taladro para retirar el tornillo.

Mantenimiento

Limpieza

Todas las piezas de plástico deben limpiarse con un paño húmedo. NUNCA use solventes para limpiar piezas de plástico. Podrían disolverse o dañar el material de alguna otra manera.

La herramienta no funciona

En caso de que la herramienta no funcione, asegúrese de que la batería esté cargada e instalada en el taladro.

Servicio a la batería

La batería que se proporciona con este taladro se descargará sola y perderá algo de su capacidad con el paso del tiempo. Por lo tanto, si se almacena sin usar durante un período de tiempo prolongado, puede que sea necesario recargarla antes de usarla. Para obtener el mayor rendimiento de sus baterías, se recomienda recargar la batería cada 2 ó 3 meses y cuando se recargue, se debe retirar la batería del cargador después de 2 ó 3 horas de carga.

Remoción / reemplazo del portabrocas

Si fuera necesario reemplazar el portabrocas, siga los pasos siguientes para hacerlo:

- Retire la batería del taladro.
- Gire el collar de embrague hasta que el símbolo de broca quede alineado con la flecha que se encuentra en la parte superior de la carcasa del taladro.
- Abra completamente las mordazas del portabrocas desatornillando el manguito del portabrocas hacia la izquierda (cuando se ve el portabrocas desde su extremo).
- Ubique el tornillo izquierdo dentro del portabrocas y con la punta de destornillador adecuada quite este tornillo girándolo hacia la derecha.
- Introduzca el brazo corto de una llave hexagonal o Allen de 3/8 pulg. dentro del portabrocas y apriete las mordazas del portabrocas sobre las partes planas de esta llave.
- Con un martillo o similar, golpee el brazo largo de la llave con un golpe seco de modo que el portabrocas gire hacia la izquierda.

- Una vez que haya aflojado el portabrocas, retire la llave y desatornille el portabrocas de su vástago.
- Para cambiar el portabrocas por otro, invierta los pasos descritos anteriormente. Siempre mantenga las roscas del vástago, las roscas del portabrocas y el tornillo sujetador sin residuos.

Servicio

⚠ ATTENTION

El servicio a esta herramienta debe ser realizado únicamente por personal calificado en reparación y por un CENTRO DE SERVICIO AUTORIZADO. El servicio o mantenimiento realizados por personas no calificadas puede provocar riesgo de lesiones.

Para obtener información con relación al funcionamiento o reparación de este producto, sírvase llamar al 1-800-424-8936.

Para Ordenar Repuestos o Asistencia Técnica, Sírvase Llamar al Distribuidor Más Cercano a Su Domicilio

Descripción	Número del Repuesto
Cargador – 18V	DG024700AV
Batería – 18V	DG204900AV
Portabroca – 3/8 po	DG029900AV
Tornillo de fijación	SX173400AV

S'il vous plaît fournir l'information suivante:

- Número del modelo
- Código impreso
- Descripción y número del repuesto según la lista de repuestos

Dirija toda la correspondencia a:

Campbell Hausfeld
Attn: Parts Department
100 Production Drive
Harrison, OH 45030 U.S.A .

Garantía Limitada

1. DURACIÓN: 1 (uno) año a partir de la fecha de compra del comprador original del taladro. Las baterías están garantizadas por 1 (un) año.
 2. QUIEN OTORGA ESTA GARANTIA (EL GARANTE: Campbell Hausfeld / The Scott Fetzer Company 100 Production Drive, Harrison, Ohio 45030 Teléfono: (800) 424-8936.
 3. QUIEN RECIBE ESTA GARANTIA (EL COMPRADOR): El comprador original (que no sea un revendedor) del producto Campbell Hausfeld.
 4. QUÉ PRODUCTOS ESTÁN CUBIERTOS POR ESTA GARANTÍA: Cualquier herramienta a motor inalámbrica Campbell Hausfeld distribuida o fabricada por el garante.
 5. COBERTURA DE LA GARANTIA: Los defectos substanciales de material y fabricación que ocurran dentro del período de validez de la garantía.
 6. LO QUE NO ESTA CUBIERTO POR ESTA GARANTIA:
 - A. Las garantías implícitas, incluyendo aquellas de comercialidad E IDONEIDAD PARA FINES PARTICULARES, ESTAN LIMITADOS A LO ESPECIFICADO EN EL PARRAFO DE DURACION. Si este producto es empleado para uso comercial, industrial o para renta, la garantía será aplicable por noventa (90) días a partir de la fecha de compra. En algunos estados no se permiten limitaciones a la duración de las garantías implícitas, por lo tanto, en tales casos esta limitación no es aplicable.
 - B. CUALQUIER PERDIDA DAÑO INCIDENTAL, INDIRECTO O CONSECUENTE QUE PUEDA RESULTAR DE UN DEFECTO, FALLA O MALFUNCIONAMIENTO DEL PRODUCTO CAMPBELL HAUSFELD. En algunos estados no se permite la exclusión o limitación de daños incidentales o consecuentes, por lo tanto, en tales casos esta limitación o exclusión no es aplicable
 - C. Cualquier falla que resulte de un accidente, abuso, negligencia o incumplimiento de las instrucciones de funcionamiento y uso indicadas en el (los) manual(es) que se adjunta(n) al producto. Dichos accidentes, abusos por parte del comprador, o falta de operar el producto siguiendo las instrucciones del manual de instrucciones suministrado también debe incluir la desconexión o modificación de los instrumentos de seguridad. Si dichos instrumentos de seguridad son desconectados, la garantía quedaría cancelada.
 - D. Los ajustes normales explicados en el(los) manual(es) suministrado(s) con el producto.
 - E. Artículos o servicio que se necesitan normalmente para el mantenimiento del producto, por ej.: contactos, asideros, resortes, gatillos o cualquier otra pieza fungible no detallada específicamente. Estos artículos solamente estarán cubiertos durante 90 (noventa) días a partir de la fecha de compra original.
 7. RESPONSABILIDADES DEL GARANTE BAJO ESTA GARANTIA: Reparar o reemplazar, como lo decida el Garante, los productos o componentes que estén defectuosos, se hayan dañado o hayan dejado de funcionar adecuadamente, durante el período de validez de la garantía
 8. RESPONSABILIDADES DEL COMPRADOR BAJO ESTA GARANTIA:
 - A. Suministrar prueba fechada de compra y la historia de mantenimiento del producto.
 - B. Llame a Campbell Hausfeld (800-424-8936) por sus opciones de servicio incluidas en la garantía. Los costos de flete correrán por cuenta del comprador.
 - C. Seguir las instrucciones sobre operación y mantenimiento del producto, tal como se indica(n) en el (los) manual(es) del propietario
 9. CUANDO EFECTUARA EL GARANTE LA REPARACION O REEMPLAZO CUBIERTO BAJO ESTA GARANTIA: La reparación o reemplazo dependerá del flujo normal de trabajo del centro de servicio y de la disponibilidad de repuestos.
- Esta garantía limitada es válida sólo en los EE.UU., Canadá y México y otorga derechos legales específicos. Usted también puede tener otros derechos que varían de un Estado a otro. o de un país a otro.

Free Manuals Download Website

<http://myh66.com>

<http://usermanuals.us>

<http://www.somanuals.com>

<http://www.4manuals.cc>

<http://www.manual-lib.com>

<http://www.404manual.com>

<http://www.luxmanual.com>

<http://aubethermostatmanual.com>

Golf course search by state

<http://golfingnear.com>

Email search by domain

<http://emailbydomain.com>

Auto manuals search

<http://auto.somanuals.com>

TV manuals search

<http://tv.somanuals.com>