



3-1/2 inch 34° Framing Nailer

Operating Instructions and Parts Manual

CHN70899



FRANÇAISE: Page 21
ESPAÑOL: Página 41

IN728900AV 7/10
© 2010 Campbell Hausfeld/Scott Fetzer

Table of Contents

Description	3	Loading / Unloading The Nailer	11
Specifications	3	Loading the Nailer	11
Safety Guidelines	4	Unloading the Nailer	11
Safety Symbols	4	Adjusting The Nail Penetration	11
Important Safety Information	4	Adjusting the Direction	
Instructions Pertaining to a Risk		of the Exhaust	12
of Fire, Electric Shock, or Injury		Installing No-Mar Tip	12
to Persons	4	Removing No-Mar Tip	12
California Proposition 65	4	Pre-Operation	12
General	4	Operational Modes	12
Work Area	4	Sequential Mode	12
Personal Safety	5	Bump Mode	13
Electrical Safety	5	Safety Lockout Mode	13
Tool Use and Care	5	Work Contact Element (WCE)	13
Service	6	Electronics ON / OFF Switch	13
Air Source	6	Operation	14
Unpacking	7	Firing the Nailer	14
Contents	7	Low Nail Indicator Lights	14
Additional Items Not Included	7	Bubble Level	14
Assembly	7	Storage	15
Glossary	8	Maintenance	15
Getting To Know Your		Clearing a Jam from the Nailer	15
Framing Nailer Like A Pro	9	Nailer Repair	15
Features	9	Replacement Parts	15
Anti-Dry Fire	9	Battery Replacement	15
Tethered No-Mar Decking Tip	9	Assembly Procedure for Seals	15
Low Nail Indicator Lights	9	Technical Service	16
Bubble Level	9	Fastener Interchange Information	16
Set-Up	10	Troubleshooting Guide	17
Lubrication	10	Replacement Parts List	
Minimum Components Required		for Framing Nailer	18 - 19
for Hook-up	10	Warranty	20
Hook-up Instructions For Nailer			
to Air Supply	10		
Air Hose Requirements	10		

For parts, product and service information

Visit: www.chpower.com

Call : Customer Service at 1-800-543-6400

Address any correspondence to:

Campbell Hausfeld
Attn: Customer Service
100 Production Drive
Harrison, OH 45030 U.S.A.



Framing Nailer



Description

This nailer is designed for framing, trusses, sub-floors, sheathing, exterior decks, and pallet/create assembly. Features include: convenient rear loading magazine which holds up to 100 nails, tethered no-mar decking tip, quick clear nose, an adjustable depth of drive mechanism, oil free, electronic low nail indicator, in-line magazine, bubble level, anti-dry fire, conversion trigger with safety lockout, rubber comfort grip, swivel plug, and adjustable exhaust.

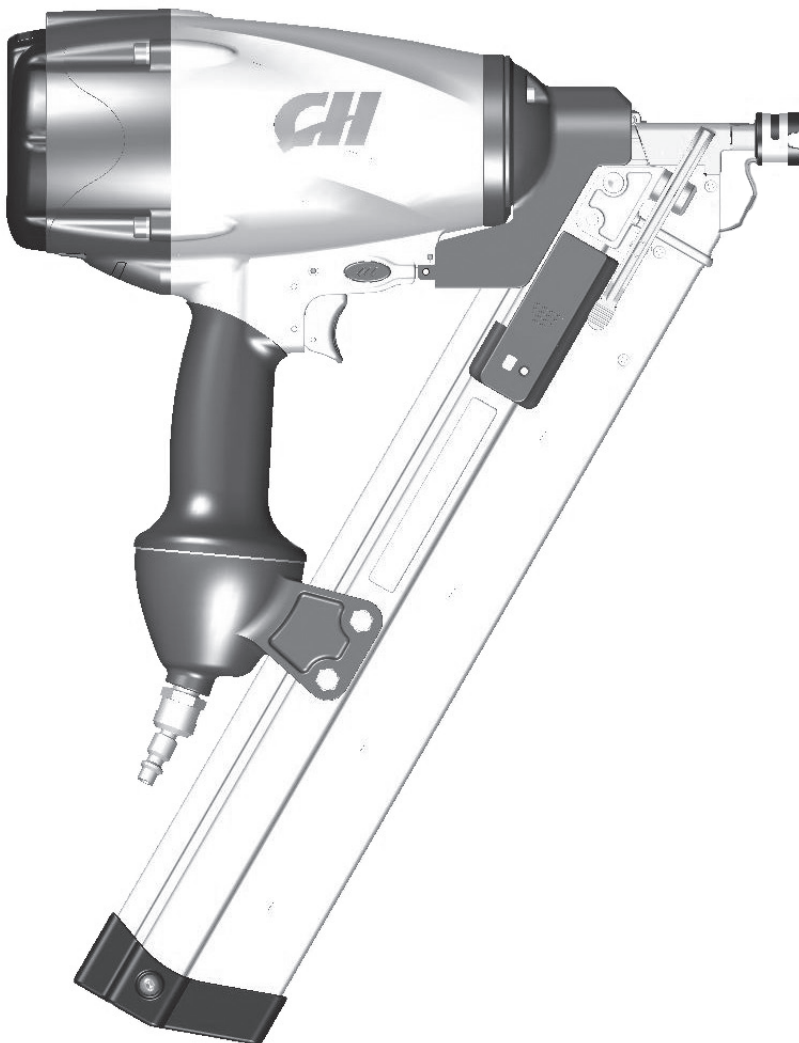


Figure 1 - CHN70899 Framing Nailer

Specifications

Model CHN70899

Requires: 2.5 Avg SCFM using 16 fasteners per minute at 90 psi

Air Inlet: 1/4 inch NPT

Fastener Size Range:

- ◆ 2 inches to 3-1/2 inches long
- ◆ 0.113 inch to 0.131 inch shank diameter
- ◆ 31° to 34°

Magazine Capacity:

85 to 100 fasteners per load

Weight: 9 lbs. 4 oz.

Length: 21 inches

Height: 14-1/2 inches

Maximum Pressure:

120 psi

Pressure Range: 70 psi to 120 psi

Batteries: Two (2) AAA

Locate model number and date code on magazine and / or tool body. Record below:

Model #: _____

Date Code: _____

Retain these numbers for future reference.

Safety Guidelines

This manual contains information that is very important to know and understand. This information is provided for SAFETY and to PREVENT EQUIPMENT PROBLEMS. To help recognize this information, observe the following symbols.

▲ DANGER *Danger indicates an imminently hazardous situation which, if not avoided, WILL result in death or serious injury.*

▲ WARNING *Warning indicates a potentially hazardous situation which, if not avoided, COULD result in death or serious injury.*

▲ CAUTION *Caution indicates a potentially hazardous situation which, if not avoided, MAY result in minor or moderate injury.*

NOTICE *Notice indicates important information, that if not followed, may cause damage to equipment.*

IMPORTANT: Information that requires special attention.

Safety Symbols

The following Safety Symbols appear throughout this manual to alert you to important safety hazards and precautions.



Wear Eye and Mask Protection



Read Manual First



Risk of Personal Injury



Risk of Falling



Wear Eye Protection



Wear Hearing Protection



Risk of Fire



Risk of Explosion



Risk of Shock

Important Safety Information

INSTRUCTIONS PERTAINING TO A RISK OF FIRE, ELECTRIC SHOCK, OR INJURY TO PERSONS

This manual contains important safety, operational and maintenance information. If you have any questions, please call 1-800-543-6400 for customer assistance.

▲ WARNING *When using tools, basic precautions should always be followed, including the following:*

CALIFORNIA PROPOSITION 65

▲ WARNING *This product or its power cord may contain chemicals known to the State of California to cause cancer and birth defects or other reproductive harm. Wash hands after handling.*

▲ WARNING *You can create dust when you cut, sand, drill or grind materials such as wood, paint, metal, concrete, cement, or other masonry. This dust often contains chemicals known to cause cancer, birth defects, or other reproductive harm. Wear protective gear.*



GENERAL

- a. To reduce the risks of electric shock, fire, and injury to persons, read all the instructions before using the tool. Failure to follow warnings, dangers, and cautions could result in DEATH or SERIOUS INJURY.
- b. Be thoroughly familiar with the controls and the proper use of the equipment. Follow all instructions. Contact your Campbell Hausfeld representative if you have any questions.
- c. Only persons well acquainted with these rules of safe operation should be allowed to use the unit.



▲ WARNING *Do not operate or allow anyone else to operate the nailer if any warnings or warning labels are not legible. Warnings or warning labels are located on the nailer magazine and body.*

▲ WARNING *Always assume the nailer contains nails. Respect the tool as a working implement; no horseplay. Always keep others at a safe distance from the work area in case of accidental discharge of nails. Do not point the tool toward yourself or anyone whether it contains fasteners or not. Accidental triggering of the nailer could result in death or serious personal injury.*

▲ CAUTION *Do not make any modifications to the tool without first obtaining written approval from Campbell Hausfeld. Do not use the nailer if any shields or guards are removed or altered. Do not use the nailer as a hammer. Personal injury or tool damage may occur.*

NOTICE *Clean and check all air supply hoses and fittings before connecting the nailer to an air supply. Replace any damaged or worn hoses or fittings. Tool performance or durability may be reduced.*

WORK AREA

- a. Keep the work area clean and well lighted. Cluttered benches and dark areas increase the risks of electric shock, fire, and injury to persons.
- b. Do not operate the tool in explosive atmospheres, such as in the presence of flammable liquids, gases, or dust. The tool is able to create sparks resulting in the ignition of the dust or fumes.
- c. Keep bystanders, children, and visitors away while operating the tool. Distractions are able to result in the loss of control of the tool.



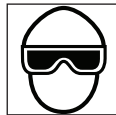
Important Safety Information (Continued)

PERSONAL SAFETY

- a. **Stay alert. Watch what you are doing and use common sense when operating the tool. Do not use the tool while tired or under the influence of drugs, alcohol, or medication.** A moment of inattention while operating the tool increases the risk of injury to persons.
- b. **Dress properly. Do not wear loose clothing or jewelry. Contain long hair. Keep hair, clothing, and gloves away from moving parts.** Loose clothes, jewelry, or long hair increases the risk of injury to persons as a result of being caught in moving parts.
- c. **Do not overreach. Keep proper footing and balance at all times.** Proper footing and balance enables better control of the tool in unexpected situations.
- d. **Use safety equipment.** A dust mask, non-skid safety shoes and a hard hat must be used for the applicable conditions.



WARNING Ensuring that the tool is used only when the operator and all other personnel in the work area are wearing ANSI Z87 eye protection equipment, and when required, other appropriate protection equipment such as head, hearing and foot protection equipment. Serious eye or permanent hearing loss could result.



e. **Always wear hearing protection when using the tool.** Prolonged exposure to high intensity noise is able to cause hearing loss.



f. **Do not attach the hose or tool to your body.** Attach the hose to the structure to reduce the risk of loss of balance if the hose shifts.

g. **Always assume that the tool contains fasteners.** Do not point the tool toward yourself or anyone whether it contains fasteners or not.



WARNING Do not drop or throw the tool. Dropping or throwing the tool can result in damage that will make the tool unusable or unsafe. If the tool has been dropped or thrown, examine the tool closely for bent, cracked or broken parts and air leaks. STOP and repair before using or serious injury could occur.

CAUTION Avoid long extended periods of work with the nailer. Stop using the nailer if you feel pain in hands or arms.

CAUTION Hold tool by insulated gripping surface when performing an operation where the tool or fastener may contact hidden wiring. Contacting a "live" wire will make exposed metal parts of the tool "live" and shock the operator.

WARNING Never place hands or any other body parts in the nail discharge area of the nailer. The nailer might eject a fastener and could result in death or serious personal injury.



ELECTRICAL SAFETY

WARNING Replace batteries only with same size batteries. Do not mix old and new batteries. Using wrong size batteries can create a risk of fire or injury.



WARNING The front end of the tool may be made "live" if the tool comes into contact with live wiring in the wall. TO PREVENT ACCIDENTAL ELECTRICAL SHOCK, HOLD TOOL ONLY BY THE SOFT GRIP HANDLE.



TOOL USE AND CARE

a. **Do not force the tool.** Use the correct tool for the application. The correct tool will do the job better and safer at the rate for which the tool is designed.

WARNING Disconnect the tool from the air source before making adjustments, doing tool maintenance, clearing jams, touching the safety yoke, leaving work area, loading, or unloading the tool. Such precautionary measures reduce the risk of injury to persons.

b. **Store the tool when it is idle out of reach of children and other untrained persons.** A tool is dangerous in the hands of untrained users.

c. **Maintain the tool with care.** A properly maintained tool reduces the risk of problems and is easier to control.

d. **Use only those fasteners listed in the "Fastener Interchange Information" section on page 12 of this manual.** Fasteners not identified for use with this tool by the tool manufacturer are able to result in a risk of injury to persons or tool damage when used in this tool.

e. **Always work in a well-ventilated area. Wear OSHA-approved dust mask.**

WARNING Always disconnect the tool from the power source when unattended, performing any maintenance or repair, clearing a jam, loading, unloading, or moving the tool to a new location.

WARNING Always fit tool with a fitting or hose coupling on or near the tool in such a manner that all compressed air in the tool is discharged at the time the fitting or hose coupling is disconnected. Do not use a check valve or any other fitting which allows air to remain in the nailer. Death or serious personal injury could occur.

WARNING Never carry the nailer by the air hose or pull the hose to move the nailer or a compressor. Keep hoses away from heat, oil and sharp edges. Replace any hose that is damaged, weak or worn. Personal injury or tool damage could occur.

WARNING Do not drive a nail on top of other nails. The nail could glance and cause death or a serious puncture wound.

NOTICE Do not expose tool to extreme heat.

f. **Do not store in locations where the temperature may reach or exceed 120°F (49°C), such as a metal tool shed, or a car in the summer.** This can lead to deterioration of the battery.

Important Safety Information (Continued)

- g. Do not disassemble tool.
- h. Remove batteries when storing tool for an extended time.

NOTE: Battery temperature will increase during and shortly after use.

Only use new Alkaline replacement batteries [two (2) AAA required]. Do not mix old and new batteries.

Battery shelf life - the included batteries may be in a slightly depleted state or dead depending on how long the product has awaited purchase. Do not return product to store for depleted batteries; please call Campbell Hausfeld at 1-800-543-6400 for assistance.

- i. Do not modify or alter the nailer or any nailer parts. Do not use the nailer if any shields or guards are removed or altered. Do not use the nailer as a hammer. Personal injury or tool damage may occur.

⚠ DANGER Do not use any type of flammable gases or oxygen as a power source for the nailer. Use filtered, lubricated, regulated compressed air only. Use of a compressed gas instead of compressed air may cause the nailer to explode which will cause death or serious personal injury.

⚠ DANGER Never use gasoline or other flammable liquids to clean the nailer. Never use the nailer in the presence of flammable liquids or gases. Vapors could ignite by a spark and cause an explosion which will result in death or serious personal injury.

⚠ DANGER Do not modify or disable the Work Contact Element (WCE). Do not tie or tape the WCE or trigger in a depressed position. Death or serious personal injury could result.

⚠ CAUTION Always check that the Work Contact Element (WCE) is operating properly. A nail could accidentally be driven if the WCE is not working properly. Personal injury may occur.

⚠ DANGER Do not touch the trigger unless driving nails. Never attach air line to nailer or carry nailer while touching the trigger. The tool could eject a fastener which will result in death or serious personal injury.

SERVICE

- Tool service must be performed only by qualified repair personnel.
- When servicing a tool, use only identical replacement parts. Use only authorized parts.
- Use only the lubricants supplied with the tool or specified by the manufacturer.

⚠ CAUTION Disconnect air supply and release tension from the pusher before attempting to clear jams because fasteners can be ejected from the front of the nailer. Personal injury may occur.

AIR SOURCE

- Never connect to an air source that is capable of exceeding 200 psi. Over pressurizing the tool is able to result in bursting, abnormal operation, breakage of the tool or serious injury to persons. Use only clean, dry, regulated compressed air at the rated pressure or within the rated pressure range as marked on the tool. Always verify prior to using the tool that the air source has been adjusted to the rated air pressure or within the rated air-pressure range.
- Never use oxygen, carbon dioxide, combustible gases or any bottled gas as an air source for the tool. Such gases are capable of explosion and serious injury to persons.

NOTICE Air compressors providing air to the nailer should follow the requirements established by the American National Standards Institute Standard B19.3-1991; Safety Standard for Compressors for Process Industries. Contact your air compressor manufacturer for information.

SAVE THESE INSTRUCTIONS DO NOT DISCARD

The DANGER, WARNING, CAUTION, and NOTICE notifications and instructions in this manual cannot cover all possible conditions and situations that may occur. It must be understood by the operator that common sense and caution are factors which cannot be built into this product, but must be supplied by the operator.

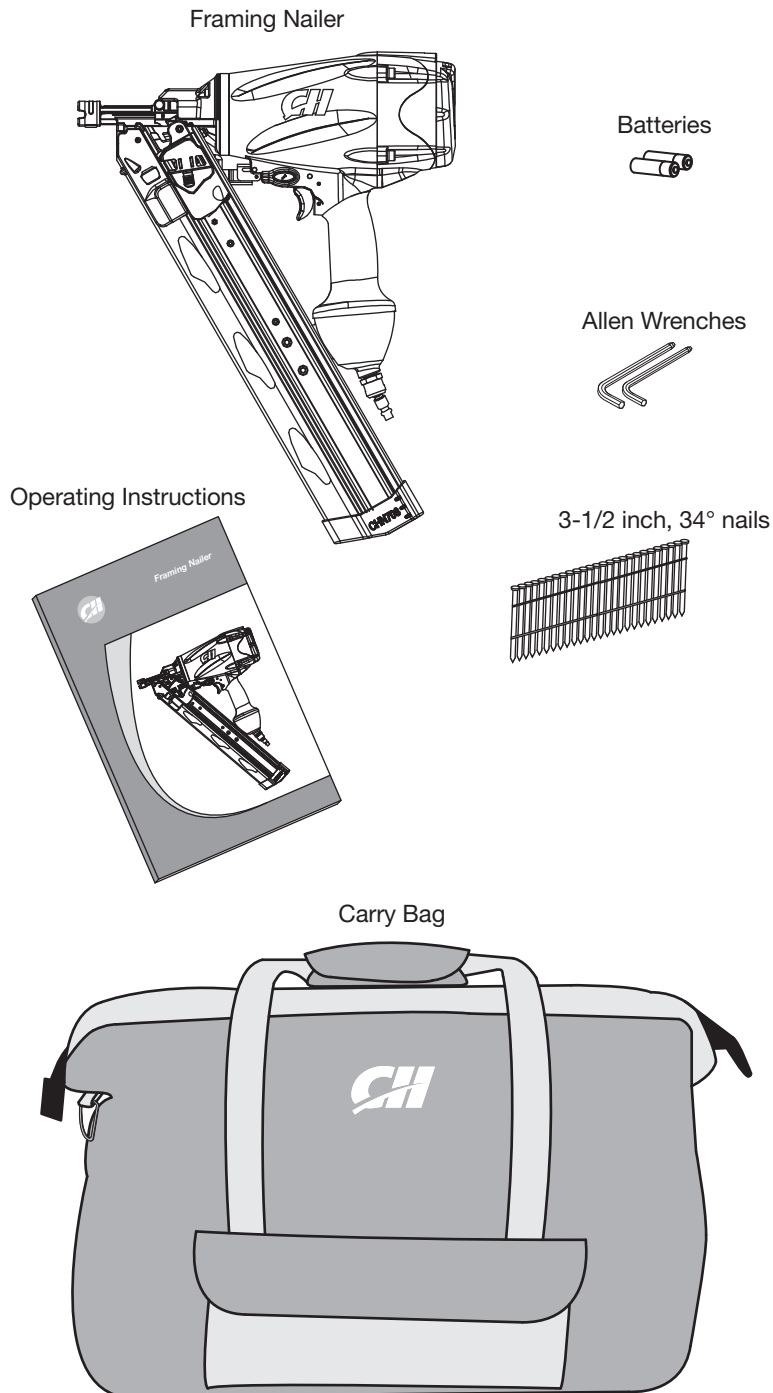


Figure 2

Unpacking

After unpacking the unit, inspect carefully for any damage that may have occurred during transit. Check for loose, missing or damaged parts. Make sure to tighten fittings, bolts, etc., before putting unit into service. Check to be sure all supplied accessories are enclosed with the unit. In case of questions, damaged or missing parts, please call 1-800-543-6400 for customer assistance.

CONTENTS

- ◆ Framing Nailer
- ◆ 3-1/2 inch, 34° nails
- ◆ Batteries
- ◆ Allen Wrenches
- ◆ Operating Instructions
- ◆ Warranty Card
- ◆ Carry Bag

ADDITIONAL ITEMS NOT INCLUDED

- ◆ Compressor (must be able to maintain a minimum of 70 psi when the nailer is being used)
- ◆ Air hose
- ◆ Small tool for clearing jams
- ◆ Threadlock glue
- ◆ ANSI Z87 eye protection
- ◆ Hearing protection and other personal protective equipment as required

Assembly

This tool comes fully assembled.

Glossary

Become familiar with these terms before operating the unit.

ACTUATE (TOOL) — To cause movement to the tool's component(s) intended to drive the fastener.

ACTUATION SYSTEM — The use of a trigger, work contact element (WCE) and/or other operating control, separately or in combination or sequence, to actuate the tool.

AIR INLET — The opening in which the compressed air supply is connected, usually by means of a threaded fitting.

FASTENERS — The nailer uses fasteners ranging from 2 inches to 3-1/2 inches long, from 0.113 inch to 0.131 inch in shank diameter, and from 31° to 34°.

MAGAZINE — The part of the nailer that holds the Fasteners.

MAXIMUM AIR PRESSURE — The maximum allowable pressure of compressed air, as specified by the manufacture, for operating the tool.

NO-MAR DECKING TIP — The no-mar decking tip is designed to eliminate marks caused by the serrated Work Contact Element (WCE). The no-mar tip may be removed and tethered to the tool if not required (See REMOVING NO-MAR DECKING TIP) or when a slightly deeper countersink is preferred. Simply slide the no-mar off the WCE and attach to the retainer on the magazine. Use tool in single cycle mode (SEE OPERATIONAL MODES) when no-mar tip is in place (see Figure 5).

psi (POUNDS PER SQUARE INCH) — Measurement of the pressure exerted by the force of the air. The actual psi output is measured by a pressure gauge on the compressor.

QUICK COUPLER — A quick coupler is designed to work in combination with a quick plug to quickly and easily join a pneumatic tool to an air hose (see Figure 3).

QUICK PLUG — A quick plug is designed to work in combination with a quick coupler to quickly and easily join a pneumatic tool to an air hose (see Figure 4).

REGULATOR — A device used to control air pressure to an air operated tool

THREAD LOCK GLUE — A locking glue that is applied to the screw threads before installing. Prevents the screws from working loose during tool operation.

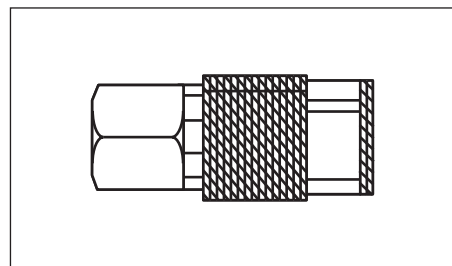


Figure 3 - Quick Coupler

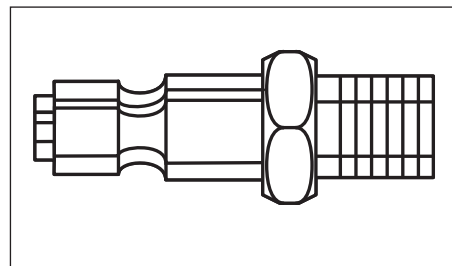


Figure 4 - Quick Plug

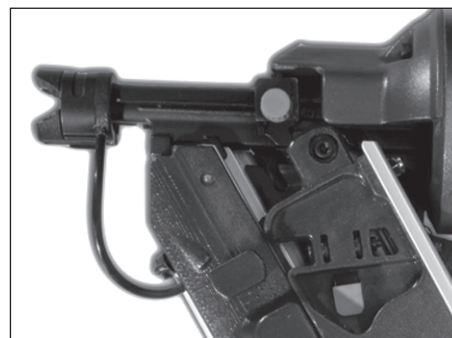
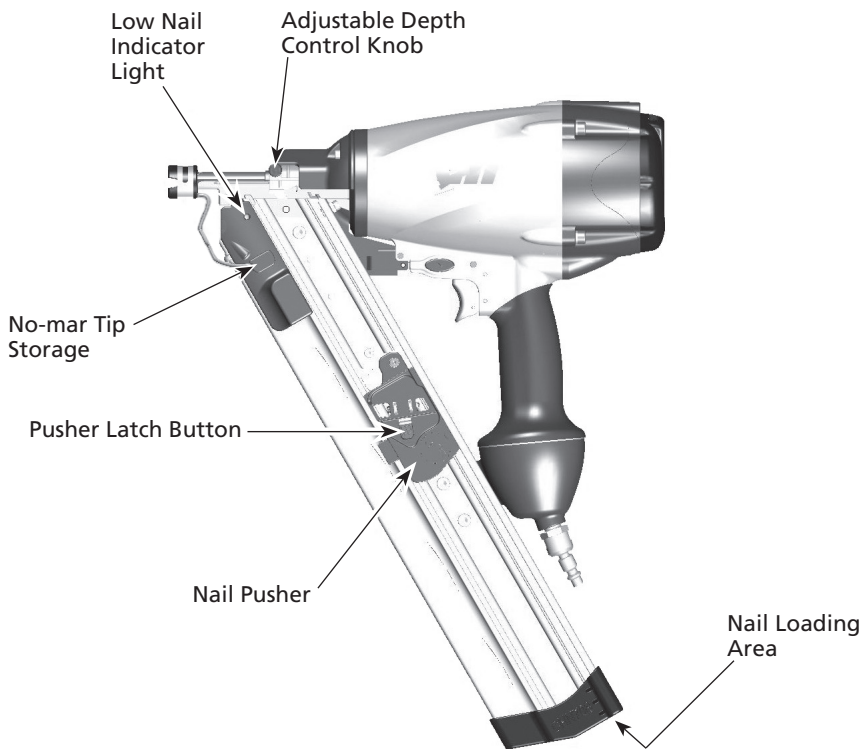
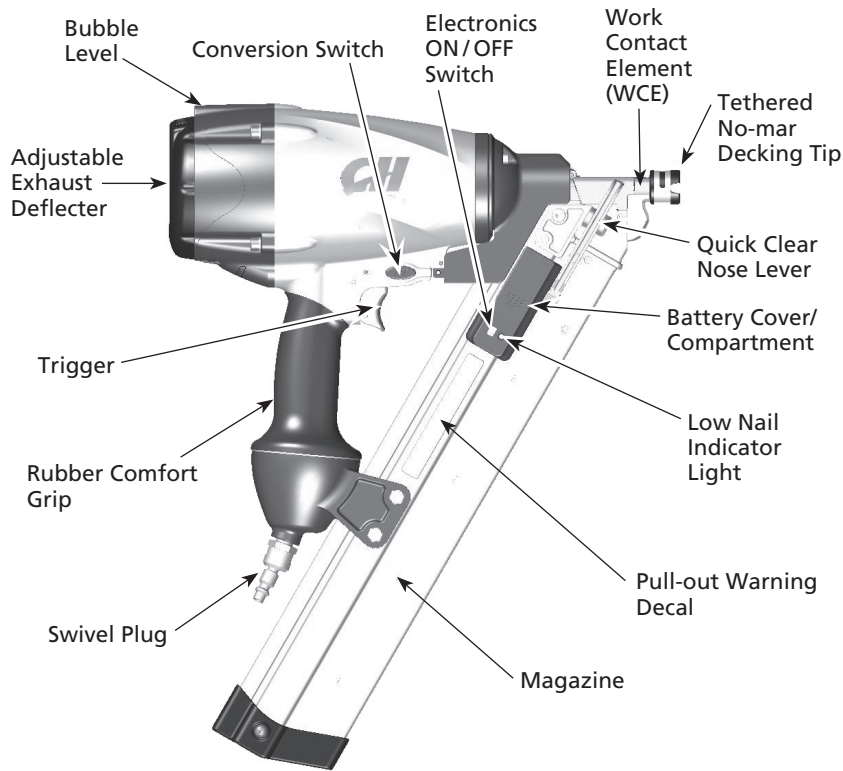


Figure 5 - No-mar Decking Tip

Getting To Know Your Framing Nailer Like A Pro



Features

ANTI-DRY FIRE

This tool is equipped with an Anti-Dry Fire feature. This prevents the Work Contact Element (WCE) from being pushed in when only a few nails remain. Simply load new nail clip behind remaining nails to continue shooting.

TETHERED NO-MAR DECKING TIP

The tool is fitted with a no-mar tip which is tethered to the tool to prevent loss when not mounted to tool. To utilize the no-mar tip, simply slide it over the tools WCE.

LOW NAIL INDICATOR LIGHTS

The tool is equipped with lights on either side of the tool near the nose. When the nail count becomes low, the lights will turn yellow. When the nail count is nearly out, the Anti-Dry Fire feature will engage and the lights will turn red. (See Loading the Nailer section).

BUBBLE LEVEL

The tool is equipped with a bubble level located on the head cap. This will assist in aligning the tool for level driving of the fastener. The bubble level will assist in vertical and horizontal positioning of the tool.

Figure 6 - Components of the Framing Nailer

Set-Up

LUBRICATION

This nailer requires **NO** lubrication for normal operation. However, lubrication will **NOT** harm the tool.

NOTICE

The work surface can become damaged by excessive lubrication.

MINIMUM COMPONENTS REQUIRED FOR HOOK-UP

AIR COMPRESSOR: The air compressor must be able to maintain a minimum of 70 psi when the nailer is being used. An inadequate air supply can cause a loss of power and inconsistent driving (see Chart 1).

PRESSURE REGULATOR: A pressure regulator is required to control the operating pressure of the nailer between 70 psi and 120 psi.

AIR SUPPLY HOSE: ALWAYS use air supply hoses with a minimum working pressure rating equal to or greater than the pressure from the power source, or 150 psi, whichever is greater. Use 3/8 inch air hose for runs up to 50 feet. Use 1/2 inch air hoses for 50 ft. run or longer (see Figure 7 and Chart 2).

HOOK-UP INSTRUCTIONS FOR NAILER TO AIR SUPPLY

Figure 8 shows the recommended hookup for the nailer.

NOTE: For better performance, install a 3/8 inch quick plug (1/4 inch NPT threads) with an inside diameter of 0.315 inch (8 mm) on the nailer and a 3/8 inch quick coupler on the air hose.

1. With ON/OFF switch in OFF position, plug compressor into electrical outlet.
2. Close pressure regulator by turning all the way to the left. Turn compressor ON and let it pump all the way up to automatic shut-off pressure.
3. Attach air hose to regulator outlet. Adjust pressure regulator by turning to the right so that outlet pressure is between 70 psi to 120 psi.
4. Load fasteners into nailer (See Loading/Unloading the Nailer section on page 11).
5. Point the nailer in a safe direction while attaching to air hose.
6. Nailer is ready for use. You may need to adjust outlet pressure to achieve proper fastener depth.


	70 psi Minimum
	120 psi Maximum

Chart 1

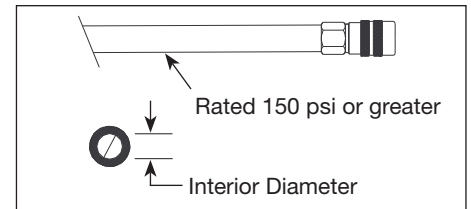


Figure 7 - Air Hose Requirements

AIR HOSE REQUIREMENTS	
DIAMETER	LENGTH OF RUN
3/8 inch	Less than 50 feet
1/2 inch	Greater than or equal to 50 feet

Chart 2

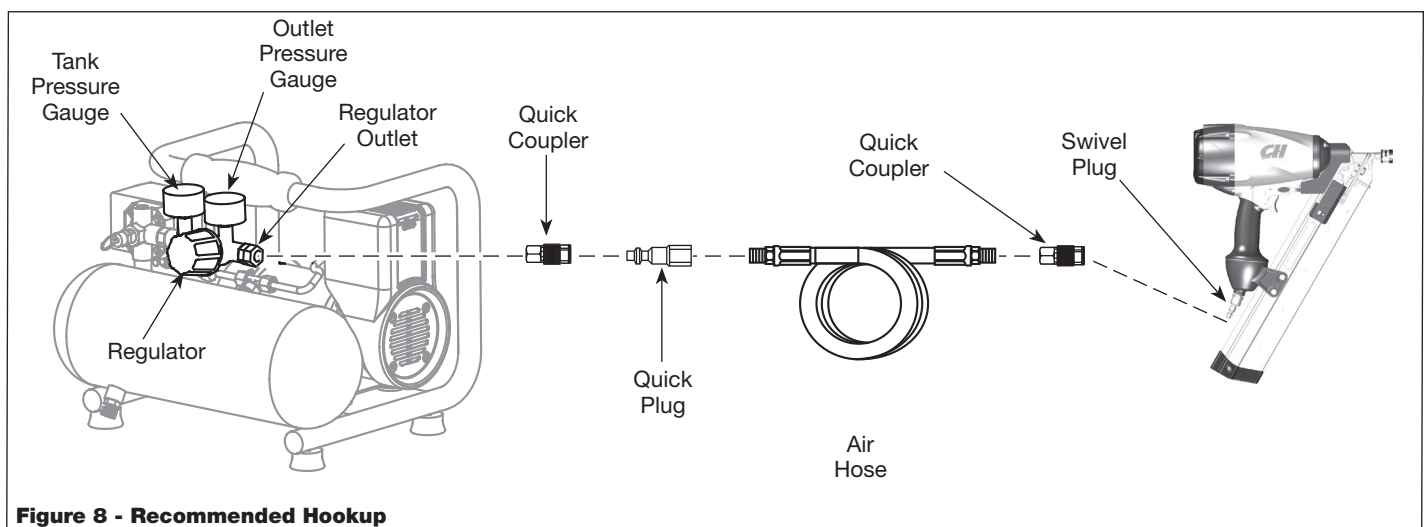


Figure 8 - Recommended Hookup

Set-Up (Continued)

LOADING / UNLOADING THE NAILER

Always **disconnect** the tool from the air supply **before** loading / unloading fasteners. Choose which type of fastener you want to use for you project. Additional fasteners can be found at major home centers.

Loading the Tool

1. Load strips of fasteners into the slot in the rear of the magazine. Make sure that the nails are placed into tool at the proper orientation.
2. Press pusher bypass button and drag pusher over nail clip. Release pusher.
3. **Reconnect** tool to air supply.

Unloading the Tool

1. Always unload all fasteners before removing tool from service.
2. Pull pusher back away from nail clip. Press pusher bypass button and allow pusher to ride over remaining nails.
3. Hold tool upright so nails will slide backwards toward magazine slot.
4. Remove nails.

ADJUSTING THE NAIL PENETRATION

The CHN70899 is equipped with an adjustable depth of drive feature. This allows the user to determine how deep a fastener will be driven into the work surface.

1. Adjust the operating pressure to a pressure which will consistently drive the fasteners. Do not exceed the maximum operating pressure of 120 psi.
2. Pull red pin out. Twist Work Contact Element (WCE) 1/4 turn as shown. Release red pin. *See Figure 10.*
3. Move WCE back and forth to the extent desired. Move the WCE toward the tool to increase nail depth. Move WCE away from tool to reduce nail depth. *See Figure 11.*
4. Twist WCE 1/4 turn back to its original position as shown. *See Figure 12.*
5. Make sure that the trigger and WCE move freely up and down without binding or sticking after each adjustment.

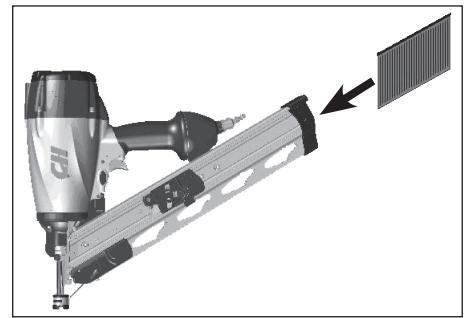


Figure 9 - Loading the Nailer

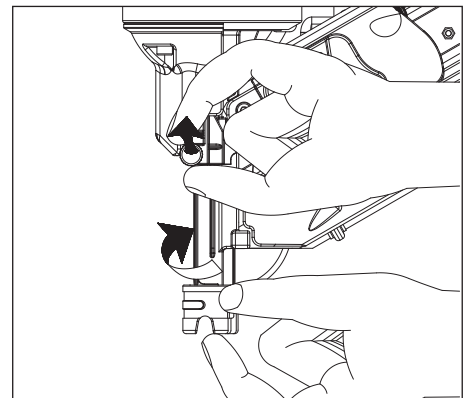


Figure 10 - Nail Depth Adjust

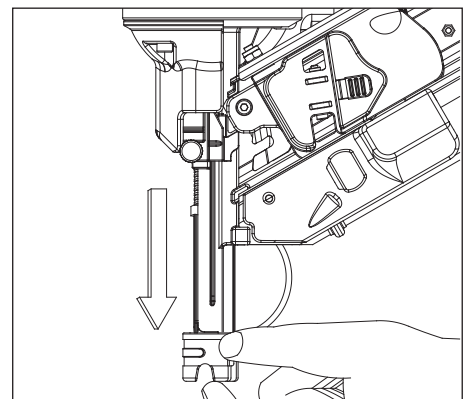


Figure 11 - Nail Depth Adjust

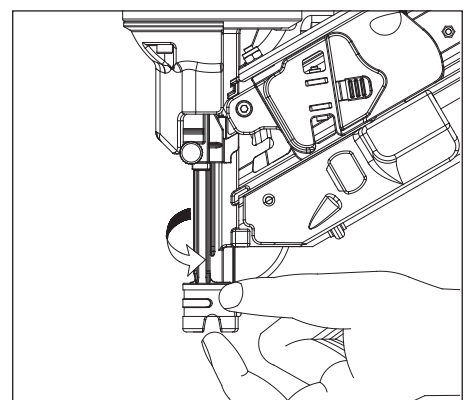


Figure 12 - Nail Depth Adjust

Set-Up (Continued)

ADJUSTING THE DIRECTION OF THE EXHAUST

The CHN70899 is equipped with an adjustable direction exhaust deflector. This is intended to allow the user to change the direction of the exhaust. Simply twist the deflector to any direction desired.

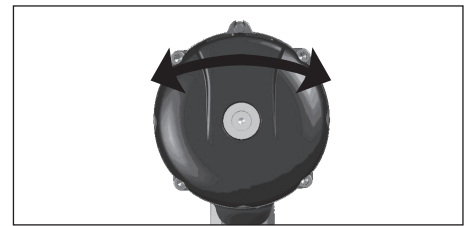


Figure 13 - Exhaust Adjustment

INSTALLING NO-MAR TIP

1. Disconnect air supply from nailer.
2. Remove no-mar tip from storage post.
3. Remove retaining ring from no-mar tip.
4. Carefully place no-mar tip over the end of work contact element. Position tip onto WCE making certain serrated grooves on each piece are in line and fit snugly together.
5. Position retaining ring on no-mar tip and press firmly in place.
6. Check that the WCE and trigger move up and down freely without sticking or binding.

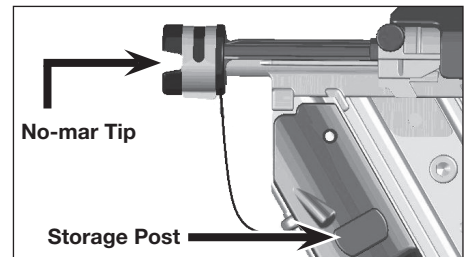


Figure 14 - No-mar Tip

REMOVING NO-MAR TIP

1. Disconnect air supply from nailer.
2. Remove no-mar tip retaining ring.
3. Pry no-mar tip away from the work contact element.
4. Replace retaining ring onto no-mar tip, then store tip on storage post for future use.

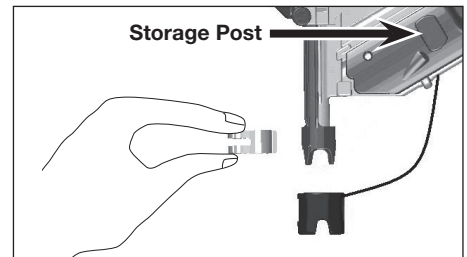


Figure 15 - Remove No-mar Tip

Pre-Operation

OPERATIONAL MODES

⚠ WARNING Always know the operational mode of the nailer before using. Failure to know the operational mode could result in death or serious injury.

This nailer may be operated in the “Sequential” mode (as supplied by the manufacturer) or “Bump” mode. The tool may be converted from one mode to the other by firmly pressing the conversion switch from one position to the other.

Press the conversion switch on the “↗” side to activate Sequential Mode.

Press the conversion switch on the “↘” side to activate Bump Mode.

Press either side to the middle position to activate the Safety Lockout Mode.

Sequential Mode

This method is recommended when precise nail placement is required. Operation in this mode requires trigger to be pulled each time a nail is driven. Nailer can be actuated by depressing the Work Contact Element (WCE) against work surface followed by pulling the trigger.

The trigger must be released after each fastener is driven to allow tool to reset.

Since the tool can only be actuated by first removing the finger from the trigger, this is considered to be a more restrictive mode of operation, suitable for less experienced users.

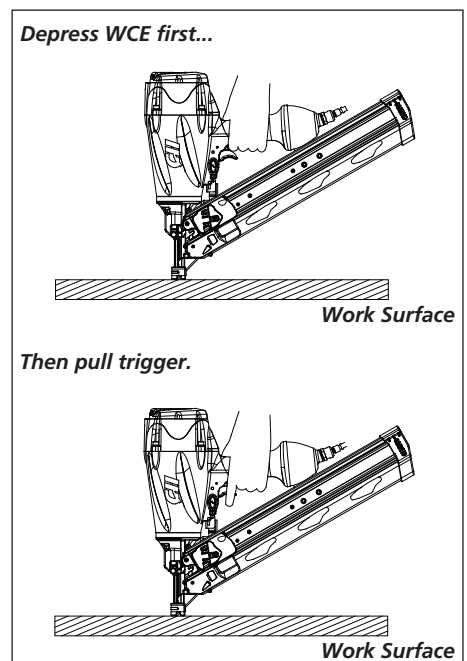


Figure 16 - Sequential Mode

Pre-Operation (Continued)

Bump Mode

This method is recommended when less precise nail placement is required. Operation in this mode requires the trigger to be depressed with nailer off of the work surface. Then, the nose of the nailer is tapped against the work surface causing a nail to be driven.

Each time the Work Contact Element is depressed, a nail is driven into the work surface. Extreme care should be taken because a nail will be driven when the WCE is pressed against any surface.

Since the tool can be actuated without removing the finger from the trigger, this is considered to be a less restrictive mode, suitable for more experienced users.

Safety Lockout Mode

When the conversion switch is pressed into the middle position, the trigger is in Safety Lockout Mode. In this mode, no combination of WCE and trigger activations will allow the tool to cycle or fire. If tool does operate while in Safety Lockout Mode, contact Campbell Hausfeld for technical support, and do not use the nailer until repaired.

WORK CONTACT ELEMENT (WCE)

CAUTION Check the operation of the Work Contact Element (WCE) trip mechanism before each use. The WCE must move freely without binding through its entire travel distance. The WCE spring must return the WCE to its fully extended position after being depressed. Do not operate the nailer if the WCE trip mechanism is not operating properly. Personal injury may occur.

1. Disconnect the air supply from the nailer.
2. Make sure the trigger and Work Contact Element (WCE) move freely up and down without sticking or binding.

NOTE: If the tool is not loaded with nails, the anti-dry fire feature will not allow the WCE to be depressed.

3. Reconnect air supply to the nailer.
4. Use a scrap piece of wood as a work surface.
5. Depress the WCE against the work surface without pulling the trigger (See Figure 18). The nailer **MUST NOT OPERATE**. Do not use the tool if it operates without pulling the trigger. Personal injury may result.
6. Remove nailer from work surface. The WCE must return to its original down position. Pull the trigger (See Figure 19). The nailer **MUST NOT OPERATE**. Do not use the tool if it operates while lifted from the work surface. Personal injury may result.
7. Pull the trigger and depress the WCE against the work surface. The nailer **MUST OPERATE** when in bump mode. The nailer **MUST NOT OPERATE** if in sequential mode.
8. Depress the WCE against work surface. Pull the trigger. The nailer **MUST OPERATE**.
9. Switch nailer into the other Mode as described in Operational Modes section and repeat.

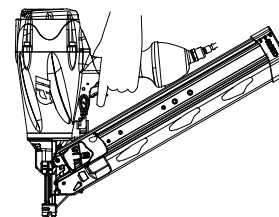
IMPORTANT: Repeat steps one through nine with tool in Safety Lockout Mode. Tool **SHOULD NOT** operate at any step. If tool does operate while in Safety Lockout Mode, contact Campbell Hausfeld for technical support.

ELECTRONICS ON / OFF SWITCH

Located on the battery compartment is an ON/ OFF for the tool's electronic functions and low nail indicator LEDs (See Figure 20).

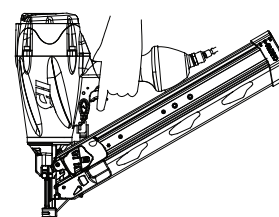
To utilize the function, turn the battery switch to the "ON" position. To avoid unwanted battery depletion during storage, turn the switch to the "OFF" position.

Pull trigger first...



Work Surface

Then depress WCE.



Work Surface

Figure 17 - Bump Mode

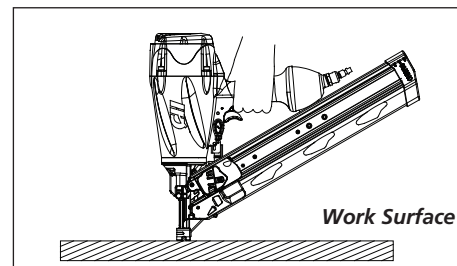


Figure 18

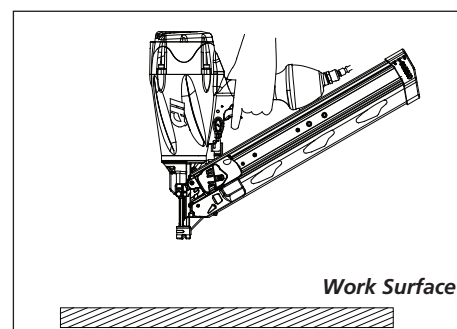


Figure 19

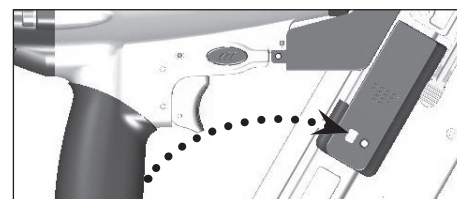


Figure 20 - Electronic ON/OFF Switch

Operation


FIRING THE NAILER

1. Load fasteners (see Loading / Unloading the Nailer section).
2. Connect the air supply to the nailer.

⚠ WARNING

An improperly functioning tool must not be used. Do not actuate the tool unless the tool is placed firmly against the work piece.

In Sequential Mode

Press the conversion switch to the “” side to activate Sequential Mode.

1. Fully depress WCE.
2. Pull trigger. Fastener will be driven into workpiece.

In Bump Mode

Press the conversion switch to the “” side to activate Bump Mode.

1. Remove tool from work surface. **DO NOT** point tool at yourself or others.
2. Pull trigger.
3. Firmly depress Work Contact element (WCE) against work surface. Tool will cycle.
4. Remove tool from work surface. Move tool to the next area where fastener is to be driven and repeat.

LOW NAIL INDICATOR LIGHTS

The tool is equipped with lights on either side of the tool near the nose. Turn the electronics switch to the **ON** position. When the nail count becomes 10 or so nails remaining in the magazine, the lights will come on yellow. You may reload at that time (See Loading the Nailer section). When the nail count becomes 5 or so remaining nails, the Anti-Dry Fire will engage and the lights will turn red. You **MUST** reload at that time.

BUBBLE LEVEL

The tool is equipped with a bubble level located on the head cap. When the gun is in a horizontal driving orientation, a level condition can easily be observed and controlled by simply aligning the tool in such a manner whereas the bubble is between the center markings on the length of the level. The same is true when in a vertically downward driving orientation by aligning the tool such that the bubble is centered in the circular marking at the top of the level.

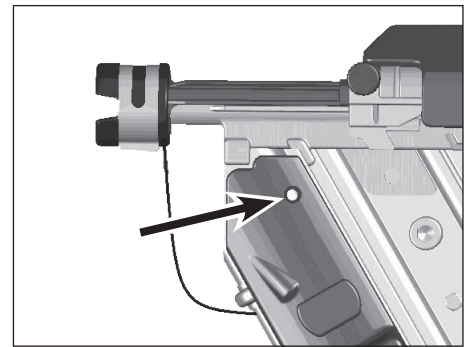


Figure 21 - Low Nail Indicator Lights



Figure 22 - Bubble Level

Storage

The nailer should be stored in a cool dry location.

Maintenance

CLEARING A JAM FROM THE NAILER

1. Disconnect nailer from air supply.
2. Remove all nails from the magazine (See Loading/ Unloading).
3. Press down on the Quick-Clear Nose (QCN) lever to disengage portion of nose barrel (See Figure 23).
4. If necessary, use small hand tools to help free the jammed nail. Sometimes it is necessary to use a hammer and a long, thin screwdriver to force the driver ram back all the way into the gun (See Figure 24).
5. Dump jammed nail out.
6. Release QCN lever.
7. Nail pusher must be in the back lock position.
8. Disconnect air supply and reload (See Loading the Tool section).

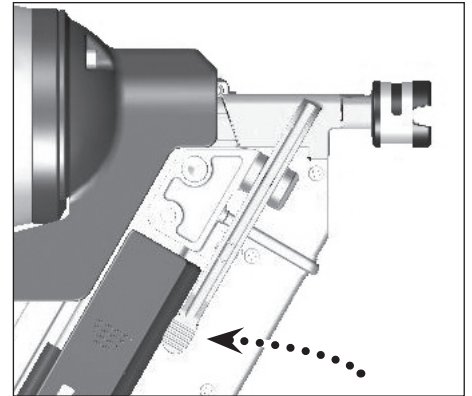


Figure 23 - Quick Clear Nose Lever

NAILER REPAIR

Only qualified personnel should repair the tool and they should use genuine Campbell Hausfeld replacement parts and accessories, or parts and accessories which perform equivalently.

REPLACEMENT PARTS

⚠ WARNING Use only genuine Campbell Hausfeld service parts. Tool performance, safety and durability could be reduced if improper parts are used. When ordering replacement parts, specify by part number.

BATTERY REPLACEMENT

⚠ WARNING Always disconnect the tool from the power source when unattended, performing any maintenance or repair, clearing a jam, loading, unloading, or moving the tool to a new location.

The electronics on the tool (low nail indicator lights) run off of two (2) AAA batteries located in the compartment on the back of the magazine. When the batteries' power is running low and they need to be replaced, the electronic functions may not work properly or at all. Disconnect the tool from air source. Remove screw and battery compartment cover. Insert two (2) new batteries in the proper orientation. Do not mix old and new batteries. Close cover. Replace screw.

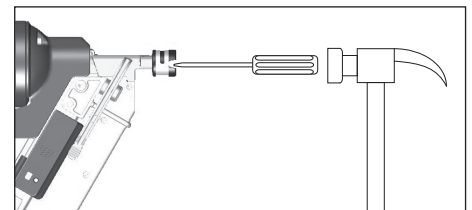


Figure 24

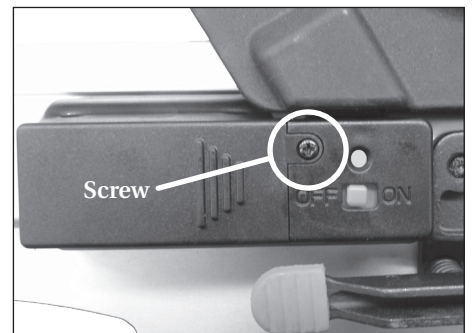


Figure 25 - Battery Replacement

ASSEMBLY PROCEDURE FOR SEALS

When repairing a nailer, the internal parts must be cleaned and lubricated. Parker O-lube or equivalent must be used on all o-rings. Each o-ring must be coated with O-lube before assembling. A small amount of oil must be used on all moving surfaces and pivots. After reassembling, a few drops of 30W non-detergent oil or equivalent, must be added through the air line one time before normal operational use.

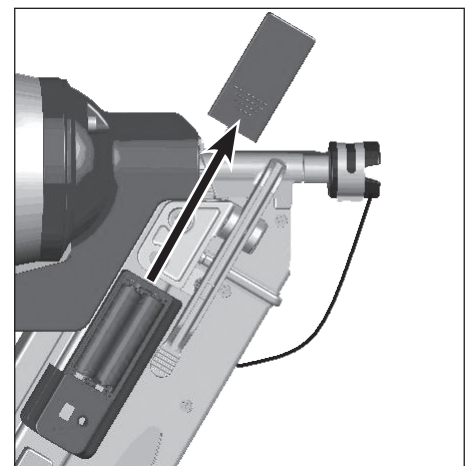


Figure 26 - Battery Replacement

Maintenance (Continued)**TECHNICAL SERVICE**

For information regarding the operation or repair of this product, please call 1-800-543-6400.

FASTENER INTERCHANGE INFORMATION

Fasteners used in the Campbell Hausfeld CHN70899 Framing Nailer will also work in the following brand units:

- DeWalt D51822 and D51823
- Hitachi NR83AA2
- Paslode F-3505
- Porter Cable FC 350A
- Ridgid R350CHA
- Senco FramePro 701XP and 751XP

Troubleshooting Guide

⚠ WARNING *Stop using nailer immediately if any of the following problems occur. Serious personal injury could result. Any repairs or replacements must be done by a Qualified Service Person or Authorized Service Center.*

SYMPTOM	CAUSE	SOLUTION
Air leaking at trigger valve	O-rings in trigger valve housing are damaged	Replace O-rings. Check operation of Work Contact Element (WCE)
Air leaking between housing and nose	<ol style="list-style-type: none"> Damaged O-rings and / or seals Damage to bumper 	<ol style="list-style-type: none"> Replace O-rings and / or seals Replace bumper
Air leaking between housing and cap	<ol style="list-style-type: none"> Loose screws Damaged gasket 	<ol style="list-style-type: none"> Tighten screws Replace gasket
Nailer skips driving nail	<ol style="list-style-type: none"> Worn bumper Dirt in nose piece Dirt or damage prevent nails or pusher from moving freely in magazine Damaged pusher spring Inadequate air flow to nailer Worn O-ring on piston or lack of lubrication Damaged O-ring on trigger valve Air leaks 	<ol style="list-style-type: none"> Replace bumper Clean drive channel Clean magazine Replace spring Check fitting, hose, or compressor Replace piston seals Replace O-rings Tighten screws and fittings
Nailer runs slow or has loss of power	<ol style="list-style-type: none"> Nailer not lubricated sufficiently Broken spring in cylinder cap Exhaust port in cap is blocked 	<ol style="list-style-type: none"> Lubricate nailer Replace spring Replace damaged internal parts
Nails are jammed in nailer	<ol style="list-style-type: none"> Guide on driver is worn Nails are not correct type Nails are bent Magazine or nose screws are loose Driver is damaged Nails loaded incorrectly 	<ol style="list-style-type: none"> Replace guide Use only recommended nails Replace with undamaged nails Tighten screws Replace driver Review Loading / Unloading section of manual
Low nail indicators not working	<ol style="list-style-type: none"> System power switch not turned on Batteries need to be replaced Components not properly replaced during re-assembly after customer maintenance 	<ol style="list-style-type: none"> Turn switch on Replace batteries (see "Changing batteries" section) Review parts view for assistance in proper re-assembly

For Replacement Parts or Technical Assistance, Call 1-800-543-6400

Please provide following information:

- Model number
- Serial number (if any)
- Part description and number as shown in parts list

Address any correspondence to:

Campbell Hausfeld
 Attn: Customer Service
 100 Production Drive
 Harrison, OH 45030 U.S.A.

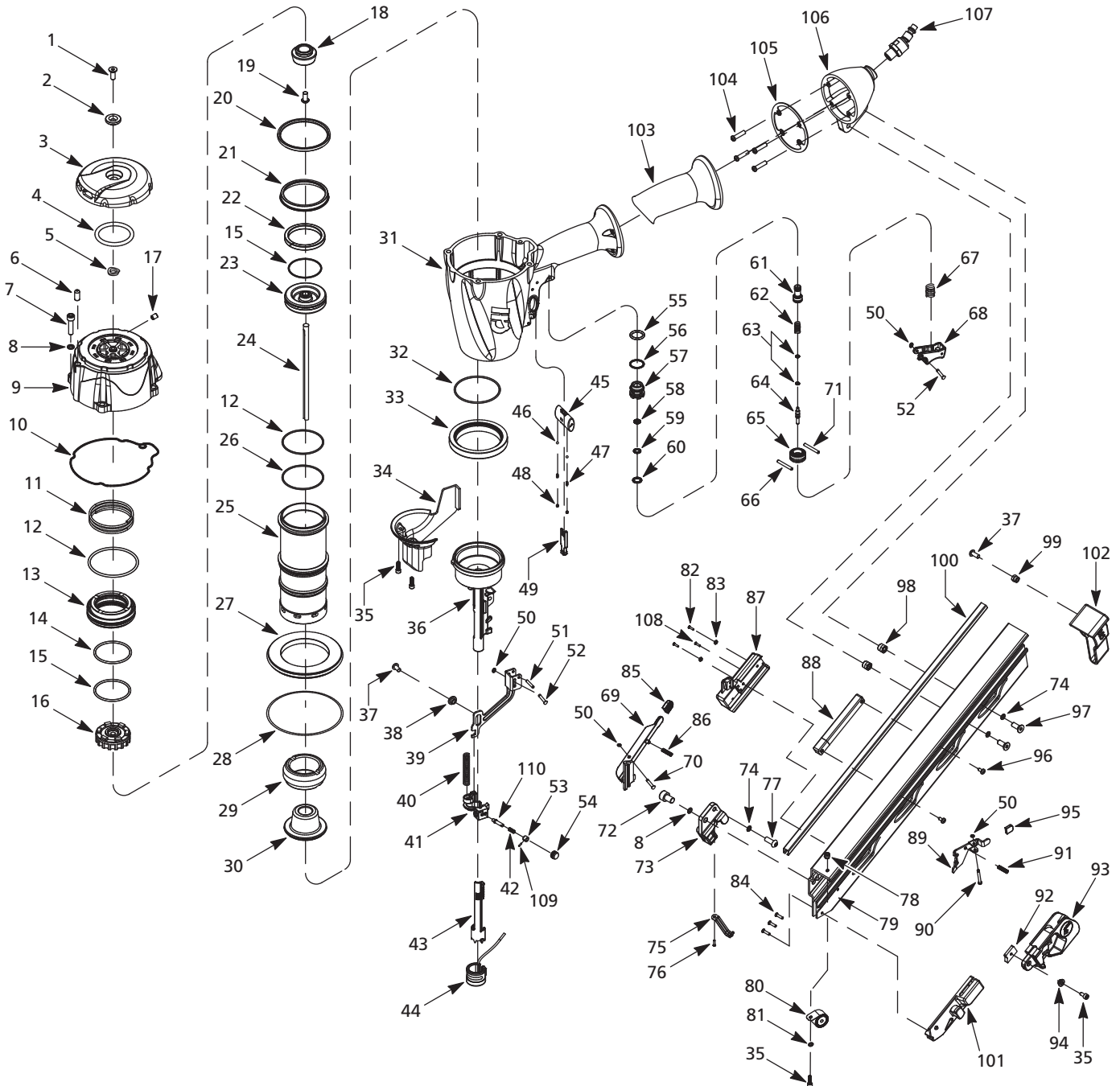


Figure 25 - Repair Parts Illustration for Air Powered Framing Nailer, model CHN70899AV

Replacement Parts List for Framing Nailer

Ref. No.	Description	Part No.	Qty.
1	Socket head cap screw - M6 x 20	*	1
2	Bushing	—	1
3	Exhaust cover	—	1
4	Seal	■	1
5	Washer	■	1
6	Bubble level	▲	1
7	Socket head cap screw - M6 x 30	*	4
8	Washer - M6	*	5
9	Cylinder head cap	—	1
10	Gasket	■●	1
11	Spring	●	1
12	O-ring	■●▼	2
13	Valve	●	1
14	O-ring	■●	1
15	O-ring	■●◆	2
16	Valve seat	●	1
17	Set screw - M6 x 8	*	1
18	Bumper	●	1
19	Round head cap screw - M6 x 12	●	1
20	Collar	■●	1
21	Cylinder seal	■●	1
22	Piston ring	■◆	1
23	Piston	◆	1
24	Driver blade	◆	1
25	Cylinder	—	1
26	O-ring	■▼	1
27	Restrictor ring	■▼	1
28	O-ring	▼	1
29	Upper bumper	▼	1
30	Lower bumper	▼	1
31	Body	—	1
32	O-ring	■	1
33	Ring	—	1
34	Nose shroud	—	1
35	Socket head cap screw - M4 x 8	D	4
36	Nose	—	1
37	Round head cap screw - M5 x 12	✕	2
38	Bushing	✕	1
39	Upper Work Contact Element (WCE)	✕	1
40	Spring	►	1
41	ADC bushing	►	1
42	Spring	►	1
43	Lower WCE	►	1
44	No-mar tip	△▽	1
45	Trigger mode switch	□	1
46	Ball bearing	□	2
47	Spring	□	2
48	Set screw - M4 x 5	□	2
49	Actuator	✕	1
50	Retaining o-ring	■✕◆D	4
51	Spring pin	✕	1
52	Roll pin	✕◆	2
53	Cylinder	►	1
54	Button cover	►	1
55	O-ring	■○	1
56	O-ring	■○	1
57	Trigger valve	○	1
58	O-ring	■○	1
59	O-ring	■○	1
60	O-ring	■○	1
61	Upper trigger valve body	○	1
62	Spring	○	1
63	O-ring	■○	2
64	Trigger valve stem	○	1
65	Lower trigger valve body	○	1

Ref. No.	Description	Part No.	Qty.
66	Spring pin	○	1
67	Spring	◇	1
68	Trigger assembly	◇	1
69	Quick clear nose (QCN) door	—	1
70	Spring pin	—	1
71	Spring pin	○	1
72	Socket head cap screw - M6 x 16	—	1
73	QCN door bracket	—	1
74	Washer - M6	*	2
75	Clip	▽	1
76	Screw	▽	1
77	Round head cap screw - M6 x 10	*	1
78	Nut - M4	D	1
79	Magazine	—	1
80	Coil spring	D	1
81	Washer - M4	D	1
82	Screw - M2.5 x 6	▽	2
83	Nut - M4	▽	2
84	Screw - M3 x 10	▽	3
85	Sleeve	—	1
86	Spring	—	1
87	Battery housing	▽	1
88	Recoil decal housing	⊗	1
89	Pusher	D	1
90	Roll pin	D	1
91	Spring	D	1
92	Pusher restrictor plate	D	1
93	Pusher seat	D	1
94	Bushing	D	1
95	Sleeve	D	1
96	Screw - M4 x 8	⊗	2
97	Screw - M6 x 20	*	2
98	Nut - M6	*	2
99	Nut - M5	*	1
100	Rail	—	1
101	Electronics housing	▽	1
102	Magazine end cap	—	1
103	Grip	—	1
104	Round head cap screw	—	4
105	Gasket	—	1
106	Inlet end cap	■	1
107	1/4-18 I/M (m) swivel plug	SV567600AV	1
108	Screw - M2 x 6	▽	1
109	Pin	►	1
110	Adjustable Depth Control (ADC) pin	►	1

REPLACEMENT PARTS KITS

▲	Bubble level kit (Qty.: 3)	SKN16800AV
■	Complete o-ring kit	SKN16900AV
●	Head valve repair kit	SKN17000AV
◆	Driver assembly kit	SKN17100AV
▼	Cylinder repair kit	SKN17200AV
✕	WCE kit	SKN17300AV
►	ADC repair kit	SKN17400AV
△	No-mar tip kit (Qty.: 2)	SKN17500AV
□	Trigger mode switch kit	SKN17600AV
○	Trigger valve repair kit	SKN17700AV
◇	Trigger assembly kit	SKN17800AV
▽	Electronics module kit (some soldering required)	SKN26200AV
⊗	Recoil warning decal kit	SKN18000AV
D	Pusher assembly kit	SKN18100AV
—	Not Available	
*	Standard hardware item - available at your local hardware store	

Reminder: *Keep your dated proof of purchase for warranty purposes! Attach it to this manual or file it for safekeeping.*

Limited Warranty

1. **DURATION:** From the date of purchase by the original purchaser as follows: One (1) Year.
2. **WHO GIVES THIS WARRANTY (WARRANTOR):** Campbell Hausfeld / Scott Fetzer Company, 100 Production Drive, Harrison, Ohio, 45030, Telephone: (800) 543-6400
3. **WHO RECEIVES THIS WARRANTY (PURCHASER):** The original purchaser (other than for purposes of resale) of the Campbell Hausfeld product.
4. **WHAT PRODUCTS ARE COVERED BY THIS WARRANTY:** This Campbell Hausfeld nailer or stapler.
5. **WHAT IS COVERED UNDER THIS WARRANTY:** Substantial defects in material and workmanship which occur within the duration of the warranty period with the exceptions below.
6. **WHAT IS NOT COVERED UNDER THIS WARRANTY:**
 - A. Implied warranties, including those of merchantability and FITNESS FOR A PARTICULAR PURPOSE ARE LIMITED FROM THE DATE OF ORIGINAL PURCHASE AS STATED IN THE DURATION. If this product is used for commercial, industrial or rental purposes, the warranty will apply for ninety (90) days from the date of purchase. Some States do not allow limitation on how long an implied warranty lasts, so the above limitations may not apply to you.
 - B. ANY INCIDENTAL, INDIRECT, OR CONSEQUENTIAL LOSS, DAMAGE, OR EXPENSE THAT MAY RESULT FROM ANY DEFECT, FAILURE, OR MALFUNCTION OF THE CAMPBELL HAUSFELD PRODUCT. Some States do not allow the exclusion or limitation of incidental or consequential damages, so the above limitation or exclusion may not apply to you.
 - C. Any failure that results from an accident, purchaser's abuse, neglect or failure to operate products in accordance with instructions provided in the owner's manual(s) supplied with product. Accident, purchaser's abuse, neglect or failure to operate products in accordance with instructions shall also include the removal or alteration of any safety devices. If such safety devices are removed or altered, this warranty is void.
 - D. Normal adjustments which are explained in the owner's manual(s) provided with the product.
 - E. Items or service that are normally required to maintain the product, e.g. o-rings, springs, bumpers, debris shield, driver blades, batteries, gaskets, packings or seals, lubricants, or any other expendable part not specifically listed. These items will only be covered for ninety (90) days from date of original purchase. Underlined items are warranted for defects in material and workmanship only.
7. **RESPONSIBILITIES OF WARRANTOR UNDER THIS WARRANTY:** Repair or replace, at Warrantor's option, products or components which are defective, have malfunctioned and/or failed to conform within the duration of the specific warranty period.
8. **RESPONSIBILITIES OF PURCHASER UNDER THIS WARRANTY:**
 - A. Provide dated proof of purchase and maintenance records.
 - B. Deliver or ship the Campbell Hausfeld product or component to the nearest Campbell Hausfeld Authorized Service Center. Freight costs, if any, must be borne by the purchaser.
 - C. Use reasonable care in the operation and maintenance of the products as described in the owner's manual(s).
9. **WHEN WARRANTOR WILL PERFORM REPAIR OR REPLACEMENT UNDER THIS WARRANTY:** Repair or replacement will be scheduled and serviced according to the normal work flow at the servicing location, and depending on the availability of replacement parts.

This Limited Warranty applies in the United States, Canada and Mexico only and gives you specific legal rights. You may also have other rights which vary from state to state or country to country.



Cloueuse d'encadrement de 8,9 cm (3-1/2 po) de 34°

Instructions d'Utilisation et Manual de Pièces

CHN70899



ENGLISH: Page 1
ESPAÑOL: Página 41

IN728900AV 7/10
© 2010 Campbell Hausfeld/Scott Fetzer



MAKES IT EASY TO DO IT LIKE A PRO

chpower.com

Download from www.Somanuals.com. All Manuals Search And Download.

Table des Matières

Description	F-23	Charger/décharger la cloueuse.	F-31
Spécifications	F-23	Charger la cloueuse	F-31
Directives de sécurité	F-24	Décharger la cloueuse	F-31
Symboles de sécurité	F-24	Ajuster la pénétration du clou	F-31
Information importante sur la sécurité	F-24	Ajuster la direction de l'échappement	F-31
Instructions portant sur un risque d'incendie, un choc électrique ou des blessures aux personnes	F-24	Installer l'embout anti-marques	F-31
Proposition 65 de Californie	F-24	Retirer l'embout anti-marques.	F-31
Généralités	F-24	Pré-opération	F-32
Aire de travail	F-24	Modes d'opération	F-32
Sécurité personnelle	F-25	Mode séquentiel	F-32
Sécurité électrique	F-25	Mode de contact	F-32
Utilisation et entretien de l'outil	F-25	Mode de verrouillage de sécurité	F-32
Service.	F-26	Pointe de contact (PC)	F-32
Source d'air	F-26	Interrupteur électronique MARCHE/ARRÊT	F-33
Déballage	F-27	Fonctionnement	F-34
Contenu	F-27	Décharger la cloueuse.	F-34
Autres articles non inclus.	F-27	Voyants indicateurs de faible quantité de clous	F-34
Assemblage	F-27	Niveau à bulles	F-34
Glossaire	F-28	Rangement	F-35
Apprendre à connaître votre cloueuse d'encadrement comme un professionnel	F-29	Entretien	F-35
Caractéristiques	F-29	Débloquer la cloueuse	F-35
Anti décharge à sec	F-29	Réparation de la cloueuse	F-35
Embout amarré anti-marques	F-29	Pièces de rechange	F-35
Voyants indicateurs de faible quantité de clous	F-29	Pile de rechange	F-35
Niveau à bulles	F-29	Procédure d'assemblage pour les joints	F-35
Installation	F-30	Service technique.	F-36
Lubrification	F-30	Information sur les attaches interchangeables	F-36
Composants minimaux requis pour le raccord	F-30	Guide de dépannage	F-37
Instructions de branchement de la cloueuse à l'alimentation d'air	F-30	Liste de pièces de rechange pour la cloueuse d'encadrement.	F-38 - F-39
Exigences du tuyau à air.	F-30	Garantie	F-40

Pour l'information sur les pièces, produits et services

APPELER: Service à la clientèle au 1-800-543-6400

ADRESSER TOUTE CORRESPONDANCE À : Campbell Hausfeld
Attn: Customer Service
100 Production Drive
Harrison, OH 45030 U.S.A.



Cloueuse d'encadrement



Description

Cette cloueuse est conçue pour l'encadrement, les poutres triangulées, les sous-planchers, les terrasses extérieures et palette/assemblage. Les caractéristiques incluent: pratique chargeur à chargement arrière pour un maximum de 100 clous, embout de recouvrement anti-marques amarré, buse à dégagement rapide, profondeur ajustable du mécanisme d'entraînement, sans huile, indicateur électronique de faible quantité de clous, chargeur en ligne, niveau à bulles, anti-décharge à sec, gâchette à conversion et verrouillage de sécurité, prise confortable en caoutchouc, bouchon pivotant et échappement ajustable.

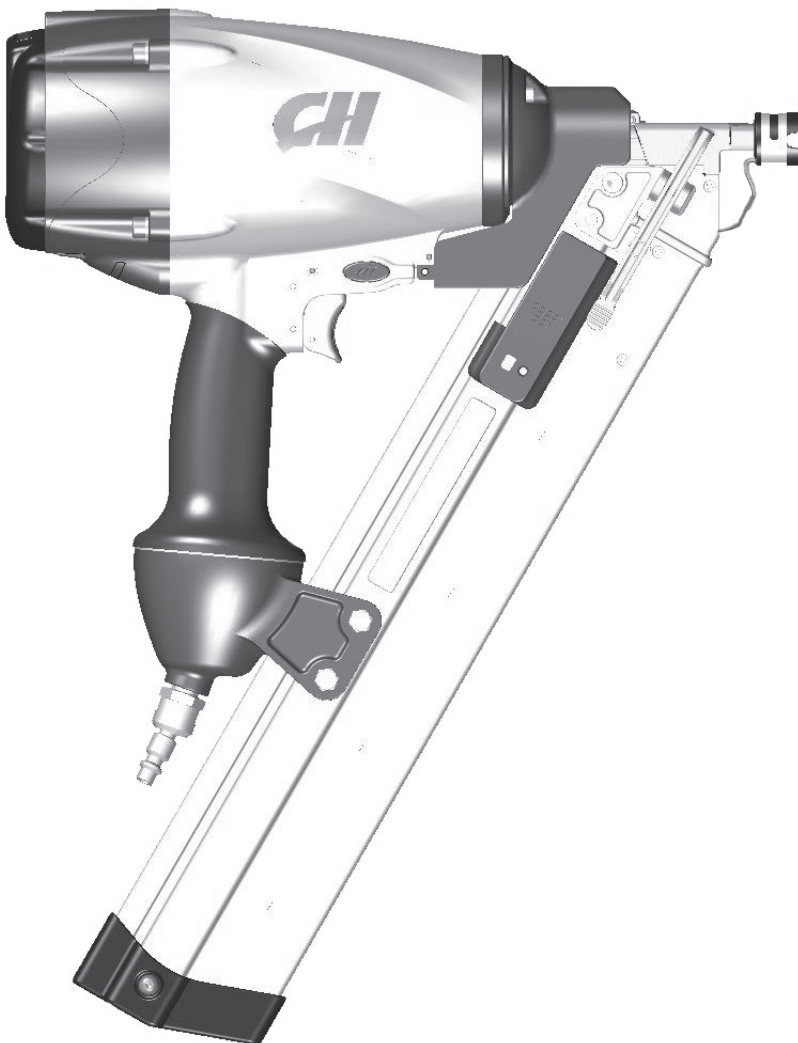


Figure 1 - CHN70899 Cloueuse d'encadrement

Spécifications

Modèle CHN70899

Exigences : 0,07 m³/min (2,5 PCNM) en moyenne utilisant 16 attaches à la minute à 621 kPa (90 lb/po²)

Prise d'air : 6,3 mm (1/4 po) NPT

Plage de tailles d'attaches:

- ◆ 2 à 3 1/2 po (5,08 à 8,89 cm) de longueur.
- ◆ 0,28 à 0,33 cm (0,113 à 0,131 po) de diamètre de tige
- ◆ 31° à 34°

Capacité du chargeur :

85 à 100 d'attaches par charge

Poids : 4,25 kg (9 lb 4 oz)

Longueur : 53,34 cm (21 po)

Hauteur : 36,83 cm (14-1/2 po)

Pression Maximale : 827 kPa

Gamme de Pression :

483 kPa - 827 kPa

Piles : Deux (2) AAA

Trouver le numéro de modèle et le code de date sur le chargeur et/ou le corps de l'outil. Inscrire plus bas:

N° du Modèle : _____

Code Date : _____

Conserver ces numéros comme référence.

Directives de Sécurité

Ce manuel contient de l'information très importante qui est fournie pour la SÉCURITÉ et pour ÉVITER LES PROBLÈMES D'ÉQUIPEMENT. Rechercher les symboles suivants pour cette information.

▲ DANGER Danger indique une situation dangereuse imminente qui MÈNERA à la mort ou à des blessures graves si elle n'est pas évitée.

▲ AVERTISSEMENT Avertissement indique une situation potentiellement dangereuse qui, si elle n'est pas évitée, POURRAIT mener à la mort ou à de graves blessures.

▲ ATTENTION Attention indique une situation potentiellement dangereuse qui, si elle n'est pas évitée, PEUT mener à des blessures mineures ou modérées.

AVIS Avis indique de l'information importante qui pourrait endommager l'équipement si elle n'est pas respectée.

IMPORTANT : Information qui exige une attention spéciale.

Symboles de sécurité

Les symboles de sécurité suivants apparaissent dans l'ensemble de ce manuel pour vous aviser des dangers et précautions importants de sécurité.



Porter une protection oculaire et un masque.



Lire le manuel d'abord



Risque de blessure



Risque de tomber



Porter une protection oculaire.



Porter une protection auditive



Risque d'incendie



Risque d'explosion



Risque de choc

Importantes Instructions De Sécurité

Instructions Portant Sur Un Risque d'Incendie, Un Choc Électrique Ou Des Blessures Aux Personnes

Ce manuel contient des informations concernant la sécurité, le fonctionnement et l'entretien. Si vous avez des questions, appeler le 1-800-543-6400 pour le service à la clientèle.

▲ AVERTISSEMENT

En utilisant les outils, il faut suivre les précautions de base, y compris ce qui suit :

PROPOSITION 65 DE CALIFORNIE

▲ AVERTISSEMENT

Ce produit ou son cordon peuvent contenir des produits chimiques qui, de l'avis de l'État de Californie, causent le cancer et des anomalies congénitales ou autres problèmes de reproduction. Lavez-vous les mains après la manipulation.

▲ AVERTISSEMENT

Vous pouvez créer de la poussière en coupant, ponçant, perçant ou meulant les matériaux tels que le bois, la peinture, le métal, le béton, le ciment ou autre maçonnerie. Cette poussière contient souvent des produits chimiques reconnus pour causer le cancer, les déformations congénitales



GÉNÉRALITÉ :

- Pour réduire les risques de chocs électriques, d'incendie ou de blessures aux personnes, lire toutes les instructions avant d'utiliser l'outil. Ne pas suivre les avertissements, les dangers et les mises en garde pourrait causer la MORT ou de GRAVES BLESSURES.
- Se familiariser avec ce produit, ses commandes et son utilisation. Suivez toutes les instructions. Contacter votre représentant Campbell Hausfeld si vous avez des questions.
- Seules les personnes familières avec ces règles d'utilisation sans danger devraient utiliser cette unité.



▲ AVERTISSEMENT

Ne pas utiliser la cloueuse ni permettre qu'une autre personne l'utilise si les avertissements ou les étiquettes d'avertissement situés sur le chargeur et corps de la cloueuse ne sont pas lisibles.

▲ AVERTISSEMENT

Toujours prendre pour acquis que la cloueuse contient des clous. Respecter l'outil comme accessoire de travail non pas un jouet. Donc aucun jeu brutal. Toujours garder les autres personnes à une distance de sécurité de l'aire de travail en cas de décharge accidentelle des clous. Ne pas pointer l'outil vers vous ou vers quelqu'un d'autre qu'il y ait ou non des attaches dans la cloueuse. Le déclenchement accidentel de la cloueuse pourrait causer la mort ou de graves blessures.

▲ ATTENTION

Ne pas apporter de modifications à l'outil sans d'abord obtenir une approbation écrite de Campbell Hausfeld. N'utilisez pas une cloueuse si les écrans ou protecteurs ont été enlevés ou altérés. Ne pas utiliser la cloueuse comme un marteau. Cela peut entraîner des blessures ou endommager l'appareil.

AVIS

Nettoyer et vérifier tous les tuyaux et raccords avant de brancher la cloueuse au compresseur d'air. Remplacer les tuyaux ou les raccords endommagés ou usés, sinon, le rendement et la durabilité de l'outil seront affectés.

AIRE DE TRAVAIL

- Garder l'aire de travail propre et bien éclairée. Les établis encombrés et les coins sombres augmentent les risques de chocs électriques, d'incendie et de blessures aux personnes.
- Ne pas faire fonctionner l'outil dans une atmosphère explosive comme en présence de liquides, gaz ou poussières inflammables. L'outil peut produire des étincelles menant à une inflammation de poussières ou de fumées.
- Garder les spectateurs, les enfants et les visiteurs loin en utilisant l'outil. Les distractions peuvent faire perdre le contrôle de l'outil.



Importantes Instructions De Sécurité (Suite)

SÉCURITÉ PERSONNELLE

- Rester vigilant. Il faut regarder ce que vous faites et utiliser son sens commun en faisant fonctionner un outil. Ne pas faire fonctionner l'appareil si vous êtes fatigué ou sous l'influence de drogues, d'alcool ou de médicaments.** Un moment d'inattention en faisant fonctionner l'outil augmente le risque de blessures.
- Il faut s'habiller correctement. Ne pas porter de bijoux ou de vêtements amples. Attacher les cheveux longs. Garder les cheveux, les vêtements et les gants loin des pièces mobiles.** Les vêtements amples, les bijoux ou les cheveux longs augmentent le risque de blessures si quelque chose se prend dans les pièces mobiles.
- Ne pas trop se pencher. Garder bon pied et bon équilibre en tout temps.** Ceci permet d'avoir un meilleur contrôle de l'outil dans les situations imprévues.
- Utiliser l'équipement de sécurité.** Il faut utiliser un masque antipoussières, des souliers de sécurité antidérapants et un casque de protection appropriés pour les conditions en cours.



AVERTISSEMENT S'assurer que l'outil est utilisé seulement lorsque l'opérateur et tout autre personnel dans l'aire de travail portent un équipement de protection oculaire ANSI Z87 et, s'il y a lieu, d'autre équipement de protection approprié tel que de l'équipement de protection pour la tête, les oreilles et les pieds. Il pourrait y avoir de graves lésions oculaires ou perte auditive.



Toujours porter une protection auditive en utilisant l'outil. Toute exposition prolongée à des bruits de forte intensité pourrait provoquer une perte auditive.



Ne pas attacher le boyau d'air ou l'outil à votre corps. Fixer le boyau à la structure pour réduire le risque de perte d'équilibre si le boyau se déplace.

Toujours assumer que l'outil contient des attaches. Ne pas pointer l'outil vers soi ou vers quelqu'un d'autre qu'il y ait des attaches ou non.



AVERTISSEMENT Ne pas échapper ni jeter l'outil car ceci peut causer du dommage le rendant dangereux à utiliser. Si l'outil s'est fait échappé ou jeté, l'examiner soigneusement afin de déterminer s'il est courbé, fendu ou s'il y a des fuites ou pièces détachées endommagées. ARRÊTER et réparer avant d'utiliser, sinon, il y a un risque de blessures graves.

ATTENTION Éviter d'utiliser la cloueuse pour une période de temps prolongée. Cesser d'utiliser la cloueuse si l'on ressent des douleurs dans les mains ou dans les bras.

ATTENTION Tenir l'outil par des surfaces de prise isolée en effectuant le travail lorsque l'outil ou l'attache pourrait entrer en contact avec un câblage caché. Un contact avec un fil « sous tension » rendra les pièces de métal exposées de l'outil « sous tension » et produira un choc pour l'opérateur.

AVERTISSEMENT Ne jamais placer les mains ou toute autre partie du corps dans la section de décharge des clous de la cloueuse. L'outil pourrait décharger une attache menant à la mort ou à de graves blessures.



SÉCURITÉ ÉLECTRIQUE

AVERTISSEMENT Remplacer les piles seulement avec des piles de même taille. Ne pas mélanger de piles neuves et usées. Utiliser la mauvaise taille de pile peut créer un risque d'incendie ou de blessure



AVERTISSEMENT L'avant de l'outil pourrait être placé « sous tension » si l'outil entre en contact avec des fils sous tension dans le mur. POUR ÉVITER TOUT CHOC ÉLECTRIQUE ACCIDENTEL, TENIR L'OUTIL SEULEMENT PAR LA POIGNÉE À PRISE SOUPLE.



UTILISATION ET ENTRETIEN DE L'OUTIL

Ne pas forcer l'outil. Utiliser le bon outil pour l'application. Le bon outil effectuera le meilleur travail sécuritaire au rythme pour lequel il a été conçu.

AVERTISSEMENT Débrancher l'outil de la source d'air avant tout ajustement, entretien de l'outil, déblocages, avant de toucher l'étrier de sécurité, avant de quitter l'aire de travail, de charger ou de décharger l'outil. De telles mesures de précautions réduisent le risque de blessures.

Ranger l'outil lorsqu'il n'est pas utilisé hors de portée des enfants et autres personnes non formées. Un outil est dangereux dans les mains d'utilisateurs non formés.

Il faut entretenir l'outil avec soin. Un outil bien entretenu réduit le risque de problèmes et est plus facile à contrôler.

Utiliser seulement les attaches indiquées dans la section « Information sur les attaches interchangeables » de la page 30. Les attaches non identifiées pour une utilisation avec cet outil par le fabricant de l'outil pourraient mener à des risques de blessures pour les personnes ou des dommages à l'outil si utilisées dans cet outil.

Toujours travailler dans un endroit bien ventilé. Porter un masque anti-poussières homologué OSHA.

AVERTISSEMENT Toujours débrancher l'outil de la source de courant lorsqu'il est sans supervision, pour effectuer son entretien ou des réparations, pour débloquer, charger, décharger ou déplacer l'outil vers un nouvel endroit.

AVERTISSEMENT L'outil doit être ajusté à un raccord ou à coupleur de boyau sur ou près de l'outil pour que tout air comprimé de l'outil soit déchargé lorsque le raccord ou le coupleur de boyau est débranché. Ne pas utiliser de clapet de non-retour ou tout autre raccord qui laisse de l'air dans la cloueuse. Ceci pourrait mener à des blessures graves ou à la mort.

AVERTISSEMENT Ne jamais transporter l'outil par le boyau et ne pas tirer le boyau pour déplacer la cloueuse ou un compresseur. Garder les boyaux loin de la chaleur, de l'huile et des bords tranchants. Remplacer tout boyau endommagé, affaibli ou usé. Sinon il pourrait y avoir des blessures personnelles ou des dommages à l'outil.

AVERTISSEMENT Ne pas enfoncer de clou sur d'autres clous. Le clou pourrait dévier et provoquer la mort ou de graves piqûres.

AVIS

Ne pas exposer l'outil à une chaleur extrême.

Ne pas ranger dans des endroits où la température pourrait atteindre ou dépasser 49 °C (120 °F), comme une remise à outils de métal ou une voiture en été. Ceci peut mener à une détérioration de la pile.

Importantes Instructions De Sécurité (Suite)

g. Ne pas démonter l'outil.

h. Retirer les piles en rangeant l'outil pendant de longues périodes.

REMARQUE : La température de pile augmente pendant et un peu après l'utilisation.

Utiliser seulement de nouvelles piles de rechange alcalines [deux (2) piles AAA requises]. Ne pas mélanger de piles neuves et usées.

Durée de conservation des piles - les piles incluses peuvent être un peu épuisées ou mortes selon la durée de conservation du produit en attendant son achat. Ne pas retourner le produit au magasin pour des piles épuisées, appeler Campbell Hausfeld au 1-800-543-6400 pour obtenir de l'aide.

i. Ne pas modifier ou altérer la cloueuse ou les pièces de la cloueuse. Ne pas utiliser la cloueuse si des écrans ou des protecteurs ont été retirés ou modifiés. Ne pas utiliser la cloueuse comme marteau. Sinon il pourrait y avoir des blessures personnelles ou des dommages à l'outil.

▲ DANGER Ne pas utiliser tous types de gaz inflammables ou oxygène comme source d'alimentation de la cloueuse. Utiliser seulement de l'air comprimé filtré, lubrifié, contrôlé. Utiliser un gaz comprimé au lieu de l'air comprimé pourrait faire exploser la cloueuse ce qui pourrait causer la mort ou de graves blessures.

▲ DANGER Ne jamais utiliser d'essence ou d'autres liquides inflammables pour nettoyer la cloueuse. Ne jamais utiliser la cloueuse en présence de liquides ou gaz inflammables. Les vapeurs pourraient créer une étincelle et une explosion qui mènerait à la mort ou à de graves blessures.

▲ DANGER Ne pas modifier ou altérer la pointe de contact (PC). Ne pas attacher ou mettre de ruban sur la PC ou sur la gâchette en position enfoncée. Ceci pourrait mener à des blessures graves ou à la mort.

▲ ATTENTION Toujours vérifier que la pointe de contact (PC) fonctionne correctement. Un clou pourrait être entraîné accidentellement si la PC ne fonctionne pas correctement. Des blessures graves pourraient en résulter.

▲ DANGER Ne pas toucher la gâchette à moins d'enfoncer des clous. Ne jamais attacher de conduite d'air à la cloueuse ou transporter la cloueuse en touchant la gâchette. L'outil pourrait décharger une attache menant à la mort ou à de graves blessures.

SERVICE

- Tout le travail d'entretien et de réparation doit être effectué seulement par un personnel de réparation qualifié.
- En réparant ou faisant l'entretien d'un outil, utiliser seulement des pièces de rechange identiques. Utiliser seulement des pièces autorisées.
- Utiliser seulement les lubrifiants fournis avec l'outil ou spécifiés par le fabricant.

▲ ATTENTION Couper l'alimentation d'air et décharger toute pression du poussoir avant d'essayer de dégager les blocages parce que les attaches peuvent être projetées de l'avant de la cloueuse. Des blessures graves pourraient en résulter.

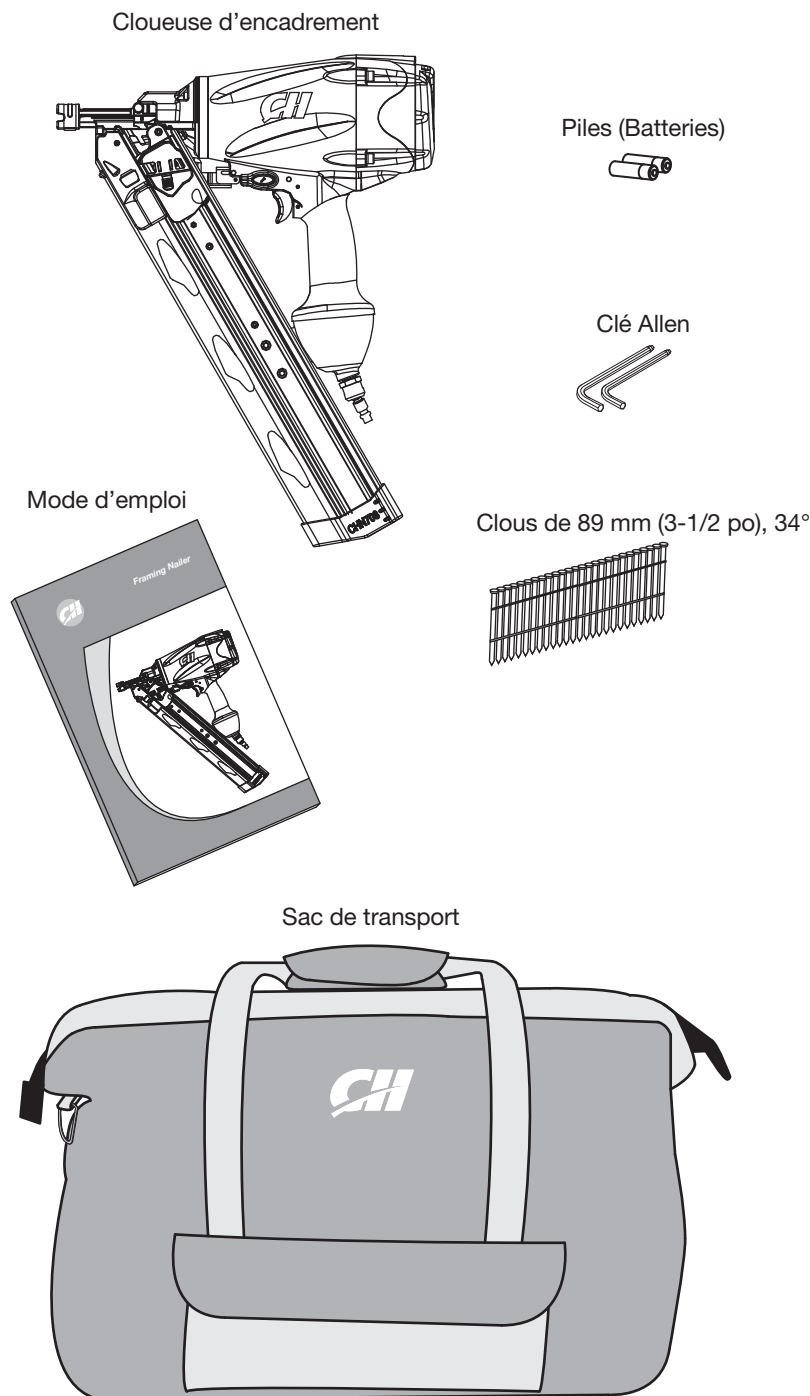
SOURCE D'AIR

- Ne jamais brancher à une source d'air pouvant dépasser 1379 kPa. Une surpression de l'outil peut mener à un éclatement, une opération anormale, un bris de l'outil ou de graves blessures. Utiliser seulement de l'air comprimé propre, sec, contrôlé à une pression nominale ou dans la plage de pression nominale tel qu'indiqué sur l'outil. Toujours vérifier avant d'utiliser l'outil que la source d'air est ajustée à la pression d'air nominale ou dans la plage de pression d'air nominale.
- Ne jamais utiliser d'oxygène, de dioxyde de carbone, de gaz combustible ou tout gaz en bouteille comme source d'air de l'outil. De tels gaz peuvent exploser et provoquer de graves blessures.

AVIS Le compresseur d'air utilisé avec cette cloueuse doit conformer aux exigences établies par l'American National Standards Institute Standard B19.3-1991; Safety Standard for Compressors for Process Industries. Contacter le fabricant du compresseur pour plus d'informations.

CONSERVER CES INSTRUCTIONS NE LES JETEZ PAS

Les symboles **DANGER**, **AVERTISSEMENT**, **ATTENTION** ET **AVIS** ainsi que les instructions de ce manuel ne peuvent pas couvrir toutes les conditions et situations qui pourraient se produire. L'opérateur doit comprendre que le bon sens et des précautions sont des facteurs qui ne peuvent pas être inclus dans ces produits, mais doivent être fournis par l'opérateur.



Déballage

Dès que l'appareil est déballé, l'inspecter attentivement pour tout signe de dommages en transit. Vérifier s'il y a des pièces desserrées, manquantes ou endommagées. S'assurer de resserrer tous les raccords, boulons, etc. avant de le mettre en service. Vérifier pour s'assurer que tous les accessoires fournis sont inclus avec l'appareil. Pour toutes questions, pièces endommagées ou manquantes, appeler le 1-800-543-6400 pour le service à la clientèle.

CONTENU

- ◆ Cloueuse d'encadrement
- ◆ Clous de 89 mm (3-1/2 po), 34°
- ◆ Batteries
- ◆ Clé Allen
- ◆ Mode d'emploi
- ◆ Carte de garantie
- ◆ Sac de transport

AUTRES ARTICLES NON INCLUS

- ◆ Compresseur (doit pouvoir maintenir au moins 483 kPa (70 lb/po²) lorsqu'on utilise la cloueuse)
- ◆ Tuyau d'air
- ◆ Petit outil pour débloquer
- ◆ Colle de frein-filet
- ◆ ANSI Z87 Protection oculaire
- ◆ Protection auditive et autre équipement de protection personnelle, si nécessaire.

Assemblage

Cet outil est fourni entièrement assemblé.

Figure 2

Glossaire

Familiarisez-vous avec ces termes avant d'utiliser l'appareil.

ACTIVER (OUTIL) — Provoquer le déplacement du(des) composant(s) de l'outil pour enfoncer l'attache.

SYSTÈME D'ACTIVATION — L'utilisation d'une gâchette, pointe de contact et/ou autre contrôle d'utilisation, séparément ou en combinaison ou séquence, pour activer l'outil.

ARRIVÉE D'AIR — L'ouverture de branchement d'alimentation d'air comprimé, normalement par un raccord fileté.

ATTACHES — Cette cloueuse utilise des attaches de 51 à 88,9 mm (2 à 3 1/2 po) de longueur, de .028 à 0,33 cm (0,113 à 0,131 po) de diamètre de tige et de 31° à 34°.

CHARGEUR — La partie de la cloueuse qui contient les attaches.

PRESSION D'AIR MAXIMALE — La pression d'air comprimé maximale permise, tel qu'indiqué par le fabricant pour utiliser l'outil.

EMBOUT DE RECOUVREMENT ANTI-MARQUES — L'embout de recouvrement anti-marques est conçu pour éliminer les marques de la pointe de contact (PC) dentée. L'embout de recouvrement peut être retiré et amarré à l'outil s'il n'est pas requis (se reporter à RETIRER L'EMBOUT ANTI-MARQUES) ou lorsqu'on préfère un fraisage un peu plus profond. Glisser simplement l'anti-marque de la PC et l'attacher au dispositif de retenue sur le chargeur. Utiliser l'outil en mode de cycle simple (VOIR MODES D'OPÉRATION) lorsque l'embout anti-marques est en place (voir la Figure 5).

kPa — Mesure de la pression de la force de l'air. La sortie réelle en kPa se mesure par un manomètre sur le compresseur.

RACCORD RAPIDE — Un coupleur rapide conçu pour fonctionner en combinaison avec un bouchon rapide pour joindre facilement et rapidement un outil pneumatique en tuyau à air (*Voir Figure 3*).

BOUCHON RAPIDE — Un bouchon rapide conçu pour fonctionner en combinaison avec un coupleur rapide pour joindre facilement et rapidement un outil pneumatique en tuyau à air (*Voir Figure 4*).

RÉGULATEUR — Un dispositif utilisé pour contrôler la pression d'air à un outil à air.

COLLE DE FREIN-FILET — Une colle de frein-filet appliquée aux filets des vis avant l'installation. Empêche les vis de se desserrer en utilisant l'outil.

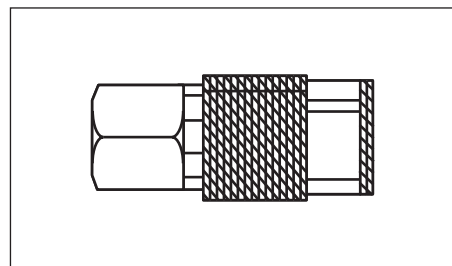


Figure 3 - Raccord Rapide

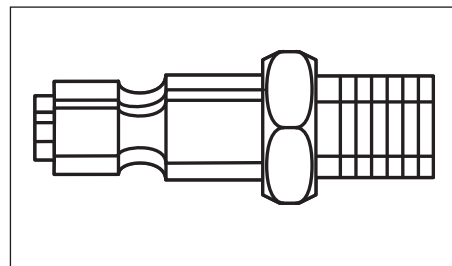


Figure 4 - Bouchon Rapide

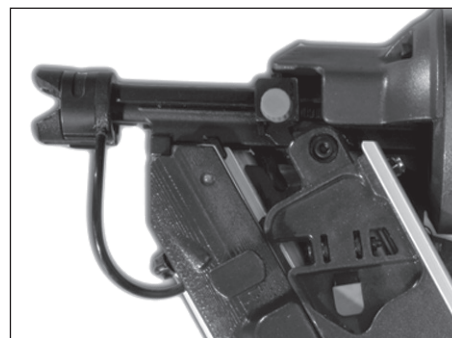


Figure 5 - No-mar Decking Tip

Apprendre à connaître sa cloueuse d'encadrement comme un professionnel

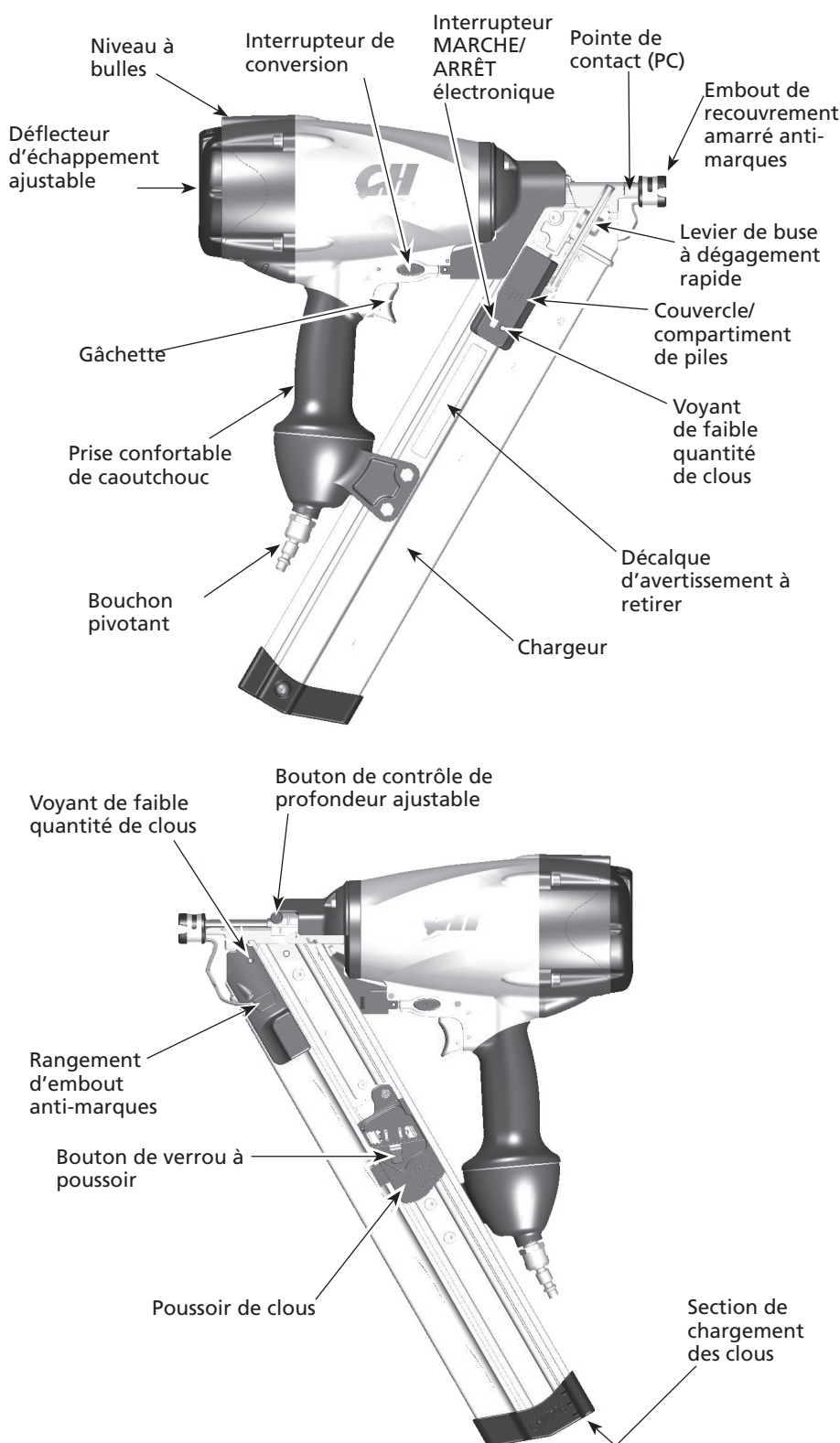


Figure 6 - Composants de cloueuse d'encadrement

Caractéristiques

ANTI DÉCHARGE À SEC

Cet outil est fourni doté d'une fonction anti décharge à sec. Ceci empêche de pousser la pointe de contact vers l'intérieur lorsqu'il ne reste que quelques clous. Charger tout simplement une nouvelle pince de clous derrière les clous en place pour continuer à tirer.

EMBOUT DE RECOUVREMENT AMARRÉ ANTI-MARQUES

L'outil est doté d'un embout anti-marques amarré à l'outil pour éviter de le perdre s'il n'est pas monté à l'outil. Pour utiliser l'embout anti-marques, glisser tout simplement sur la PC des outils.

VOYANTS INDICATEURS DE FAIBLE QUANTITÉ DE CLOUS

L'outil est doté de voyants d'un côté ou l'autre de l'outil près de la buse. Lorsque le compte de clous est faible, les voyants deviennent jaunes. Lorsque le compte de clous est presque épuisé, la fonction anti décharge à sec s'engage et les voyants deviennent rouges. (voir la section Charger la cloueuse)

NIVEAU À BULLES

L'outil est doté d'un niveau à bulles qui se trouve sur le chapeau de tête. Ceci aidera à aligner l'outil pour entrer l'attache à niveau. Le niveau à bulle aidera au positionnement vertical et horizontal de l'outil.

Installation

LUBRIFICATION

Cette cloueuse n'exige pas de lubrification pour une opération normale. Par contre, une lubrification n'endommagera pas l'outil.

AVIS

La surface de travail pourrait être endommagée par une lubrification excessive.

COMPOSANTS MINIMAUX REQUIS POUR LE RACCORD

COMPRESSEUR D'AIR : Le compresseur doit pouvoir maintenir au moins 483 kPa (70 lb/po²) lorsqu'on utilise la cloueuse. Une alimentation d'air inadéquate peut mener à une perte de courant et à un entraînement inconsistant (voir tableau 1).

RÉGULATEUR DE PRESSION : Il faut un régulateur de pression pour contrôler la pression d'utilisation de la cloueuse entre 483 et 827 kPa (70 et 120 lb/po²).

BOYAU D'ALIMENTATION D'AIR : TOUJOURS utiliser des boyaux d'alimentation d'air avec une pression de service minimale égale à ou supérieure à la pression de la source de courant, ou 1 034 kPa (150 lb/po²), selon la valeur la plus élevée. Utiliser un tuyau d'air d'au moins 9,5 mm (3/8 po) pour les distances jusqu'à 15,24 m (50 pi). Utiliser des tuyaux d'air de 12,7 mm (1/2 po) pour les distances de 15,24 m (50 pi) ou plus (voir la figure 7 et le tableau 2).

INSTRUCTIONS DE BRANCHEMENT DE LA CLOUEUSE À L'ALIMENTATION D'AIR

La figure 8 montre le branchement recommandé pour la cloueuse.

REMARQUE : Pour une meilleure performance, installer un bouchon rapide de 9,5 mm (3/8 po) (filets 1/4 po NPT) avec un diamètre intérieur de 8 mm (0,315 po) sur la cloueuse et un coupleur rapide de 9,5 mm (3/8 po) sur le tuyau d'air.

1. Avec l'interrupteur MARCHE/ARRÊT à la position d'ARRÊT (OFF), brancher le compresseur dans la prise de courant.
2. Fermer le régulateur de pression en tournant jusqu'au bout à gauche. Mettre l'interrupteur du compresseur à la position de MARCHE (ON) et laisser pomper jusqu'à la pression d'arrêt automatique.
3. Brancher le tuyau d'air à la sortie du régulateur. Ajuster le régulateur de pression en tournant vers la droite pour que la pression de sortie soit entre 483 à 827 kPa (70 à 120 lb/po²).
4. Charger les attaches dans la cloueuse (voir la section Charger/décharger la cloueuse de la page 31).
5. Pointer la cloueuse dans une direction sans danger tout en installant au tuyau à air.
6. La cloueuse est prête à utiliser. Il faudra peut-être ajuster la pression de sortie pour avoir la profondeur d'attache appropriée.


	483 kPa Minimum
	827 kPa Max.

Tableau 1

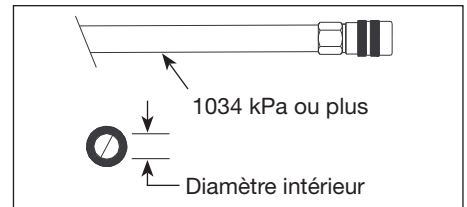


Figure 7 - Exigences du tuyau à air

EXIGENCES DU TUYAU À AIR	
DIAMÈTRE	LONGUEUR D'ACHEMINEMENT
3/8 po (9,5 mm)	Moins de 15,24 m (50 pi)
1/2 po (12,7 mm)	Plus de ou égale à 15,24 m (50 pi)

Tableau 2

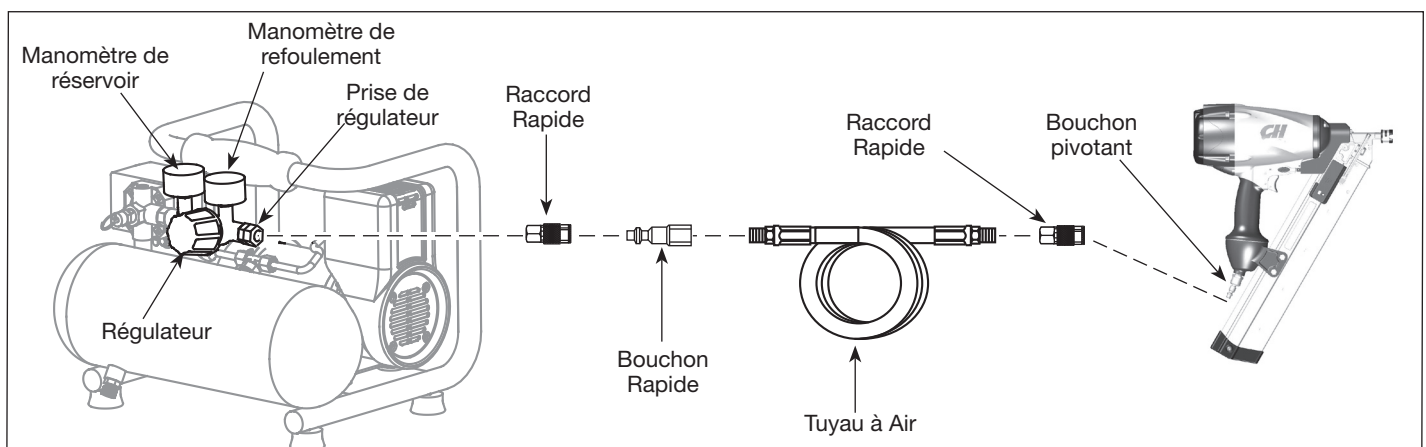


Figure 8 - Branchement Recommandé

Installation (suite)

CHARGER/DÉCHARGER LA CLOUEUSE

Toujours **débrancher** l'outil de l'alimentation d'air **avant** de charger ou de décharger les attaches. Choisir le type d'attache à utiliser pour le projet. Il y a des attaches supplémentaires dans les centres de rénovations principaux.

Charger l'outil

1. Charger les bandes d'attaches dans la fente à l'arrière du chargeur. S'assurer que les clous sont placés dans l'outil avec la bonne orientation.
2. Enfoncer le bouton de dérivation du poussoir et tirer le poussoir sur la pince de clous. Dégager le poussoir
3. **Rebrancher** l'outil à l'alimentation d'air.

Décharger l'outil

1. Toujours décharger toutes les attaches avant de cesser d'utiliser l'outil
2. Reculer le poussoir en l'éloignant de la pince de clous. Enfoncer le bouton de dérivation du poussoir et laisser le poussoir passer sur les clous restants.
3. Tenir l'outil à la verticale pour que les clous glissent vers l'arrière, vers la fente du chargeur.
4. Retirer les clous.

AJUSTER LA PÉNÉTRATION DU CLOU

Le CHN70899 est doté d'une fonction d'entraînement à profondeur ajustable. Ceci permet à l'utilisateur de déterminer la profondeur d'une attache dans la surface de travail.

1. Ajuster la pression de service à une pression qui entraînera les attaches de manière constante. Ne pas dépasser la pression maximale de service de 827 kPa (120 lb/po²).
2. Sortir la goupille rouge. Tourner la pointe de contact (PC) d'un quart de tour comme indiqué. Dégager la goupille rouge. Voir la figure 10.
3. Déplacer la PC d'avant en arrière dans la mesure voulue. Déplacer la PC vers l'outil pour augmenter la profondeur du clou. Déplacer la PC en l'éloignant de l'outil pour réduire la profondeur du clou. Voir la figure 11.
4. Tourner la PC d'un quart de tour à sa position originale comme indiqué. Voir la figure 12.
5. S'assurer que la gâchette et que la PC se déplacent librement vers le haut et vers le bas sans grippage ou collage après chaque ajustement.

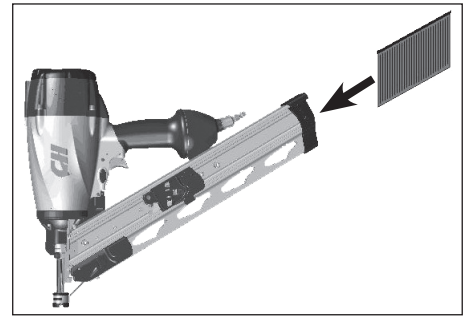


Figure 9 - Charger la cloeuse

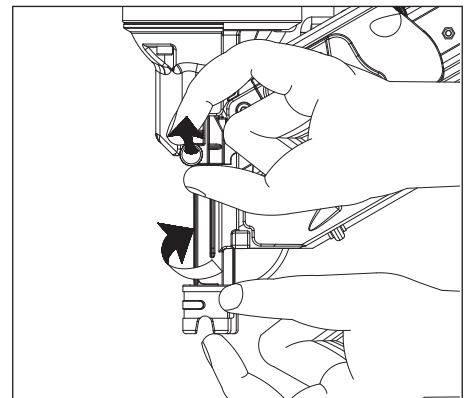


Figure 10 - Adjuster le pénétration

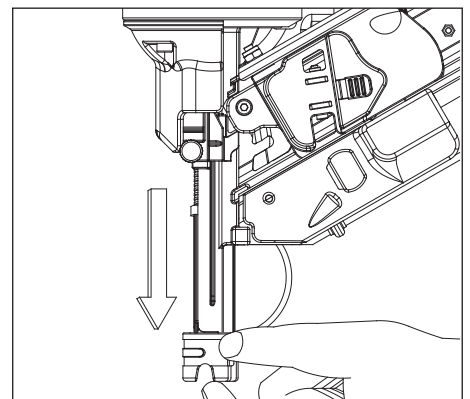


Figure 11 - Adjuster le pénétration

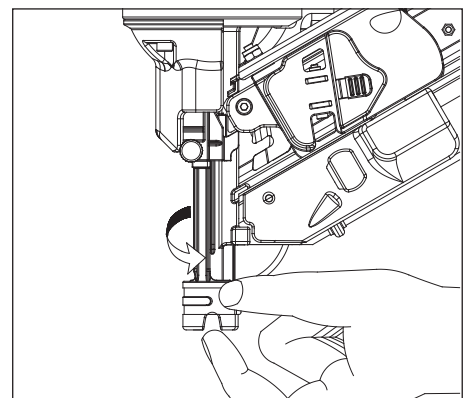


Figure 12 - Adjuster le pénétration

Installation (suite)

AJUSTER LA DIRECTION DE L'ÉCHAPPEMENT

Le CHN70899 est doté d'un déflecteur d'échappement à direction ajustable. Ceci est pour permettre à l'utilisateur de changer la direction de l'échappement. Tourner tout simplement le déflecteur dans la direction voulue.

INSTALLER L'EMBOUT ANTI-MARQUES

1. Débrancher l'alimentation d'air de la cloueuse.
2. Retirer l'embout anti-marques le poste de rangement.
3. Retirer l'anneau de retenue de l'embout anti-marques.
4. Placer l'embout anti-marques avec soin sur l'extrémité de la pointe de contact. Placer l'embout sur la PC en s'assurant que les rainures dentées de chaque pièce sont en ligne et s'ajustent bien ensemble.
5. Placer l'anneau de retenue sur l'embout anti-marques et appuyer fermement en place.
6. Vérifier que la PC et que la gâchette se déplace librement vers le haut et vers le bas sans accrochage ou grippage.

RETIRER L'EMBOUT ANTI-MARQUES

1. Débrancher l'alimentation d'air de la cloueuse.
2. Retirer l'anneau de retenue de l'embout anti-marques.
3. Retirer l'embout anti-marques de la pointe de contact.
4. Replacer l'anneau de retenue sur l'embout anti-marques, puis ranger l'embout sur le poste de rangement pour réutiliser.

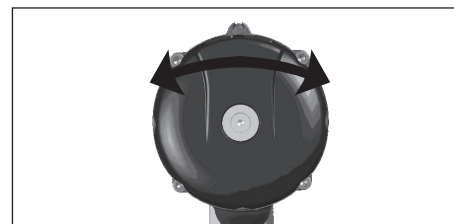


Figure 13 - Ajustement d'échappement

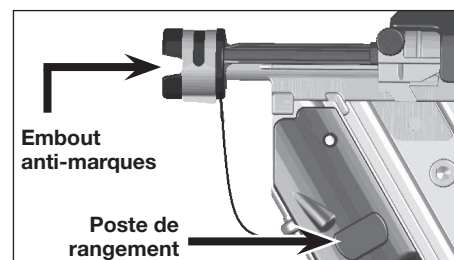


Figure 14 - Embout anti-marques

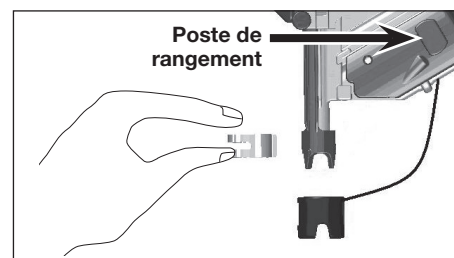


Figure 15 - Retirer l'embout anti-marques

Pré-opération

MODES D'OPÉRATION

⚠ AVERTISSEMENT

Toujours connaître le mode d'opération de la cloueuse avant de l'utiliser. Ne pas le connaître pourrait mener à des blessures graves ou à la mort.

Cette cloueuse peut fonctionner en mode « séquentiel » (comme fourni par le fabricant) ou en mode de « contact. ». L'outil peut être converti d'un mode à l'autre en pressant fermement l'interrupteur de conversion d'une position à l'autre.

Enfoncer entièrement le côté de l'interrupteur de conversion “↗” pour activer le Mode Séquentiel.

Enfoncer entièrement le côté de l'interrupteur de conversion “↘” pour activer le Mode de Contact.

Enfoncer un côté ou l'autre à la position centrale pour activer le Mode de Verrouillage de sécurité.

Mode séquentiel

Cette méthode est recommandée lorsqu'il faut un placement de précision du clou. Sous ce mode, il faut tirer la gâchette chaque fois qu'on fait pénétrer un clou. La cloueuse s'active en enfonçant la pointe de contact (PC) contre la surface de travail pour ensuite tirer la gâchette.

La gâchette doit être dégagée après la pénétration de chaque attache pour permettre à l'outil de se réinitialiser.

Puisque l'outil ne peut être activé en retirant d'abord le doigt de la gâchette, ceci est considéré un mode plus restrictif de service, convenant aux utilisateurs moins expérimentés.

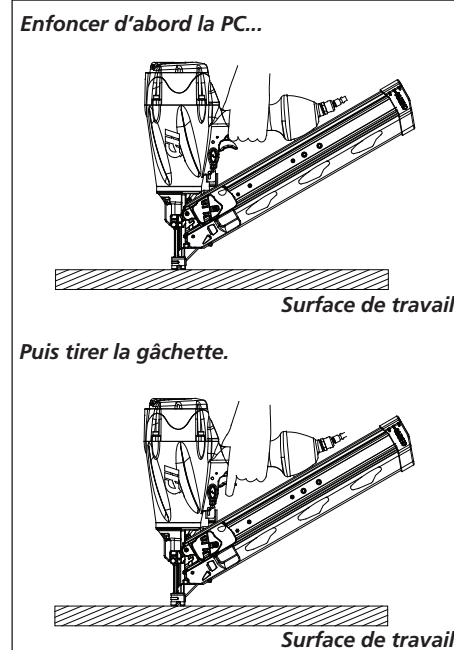


Figure 16 - Mode séquentiel

Pré-opération (suite)

Mode de contact

Cette méthode est recommandée lorsqu'il faut un placement moins précis du clou. Le fonctionnement sous ce mode exige d'enfoncer la gâchette avec la cloueuse qui n'est pas sur la surface de travail. La buse de la cloueuse est frappée contre la surface de travail entraînant le clou.

Chaque fois que la pointe de contact est enfoncée, un clou pénètre dans la surface de travail. Il faut être particulièrement prudent parce qu'un clou sera entraîné lorsque la PC est pressée contre toute surface.

Puisque l'outil peut être activé sans retirer le doigt de la gâchette, ceci est considéré un mode moins restrictif de service, convenant pour les utilisateurs ayant plus d'expérience.

Mode de verrouillage de sécurité

Lorsque l'interrupteur de conversion est enfoncé en position du milieu, la gâchette est en Mode de Verrouillage de sécurité. Aucune combinaison d'activations de PC et de gâchette ne permettra à l'outil de cycler ou de se déclencher. Si l'outil fonctionne en Mode de verrouillage de sécurité, contacter Campbell Hausfeld pour le support technique et ne pas utiliser la cloueuse avant la réparation.

POINTE DE CONTACT (PC)

ATTENTION Vérifier le fonctionnement du mécanisme de déclenchement de la pointe contact (PC) avant chaque utilisation. La PC doit se déplacer librement sans grippage à travers toute la distance de déplacement. Le ressort de la PC doit ramener la PC à sa position entièrement sortie après l'avoir enfoncé. Ne pas faire fonctionner la cloueuse si le mécanisme de déclenchement de la PC ne fonctionne pas correctement. Des blessures graves pourraient en résulter.

1. Débrancher l'alimentation d'air de la cloueuse.
2. S'assurer que la gâchette et la pointe de contact (PC) se déplacent librement vers le haut et vers le bas sans coller ou gripper.

REMARQUE : Si l'outil n'est pas chargé de clous, la fonction anti décharge à sec ne permettra pas d'enfoncer la pointe de contact.

3. Rebrancher l'alimentation d'air à la cloueuse.
4. Utiliser une retaille de bois comme surface de travail.
5. Enfoncer la PC contre la surface de travail sans tirer la gâchette (voir Figure 18). La cloueuse **NE DOIT PAS FONCTIONNER**. Ne pas utiliser l'outil s'il fonctionne sans tirer la gâchette. Des blessures pourraient en résulter.
6. Retirer la cloueuse de la surface de travail. La PC doit revenir à sa position originale vers le bas. Tirer la gâchette (voir la Figure 19). La cloueuse **NE DOIT PAS FONCTIONNER**. Ne pas utiliser l'outil s'il fonctionne lorsqu'il est soulevé de la surface de travail. Des blessures pourraient en résulter.
7. Tirer la gâchette et enfoncer la PC contre la surface de travail. La cloueuse **DOIT FONCTIONNER** en mode de contact. La cloueuse **NE DOIT PAS FONCTIONNER** en mode séquentiel.
8. Enfoncer la PC contre la surface de travail. Tirer la gâchette. La cloueuse **DOIT FONCTIONNER**.
9. Faire passer la cloueuse dans l'autre Mode tel que décrit dans la section Modes d'opération et répéter.

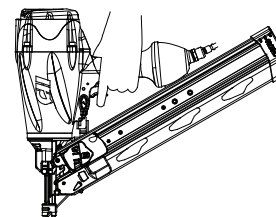
IMPORTANT : Répéter les étapes une à neuf avec l'outil en Mode de verrouillage de sécurité. L'outil **NE DOIT PAS** être en marche à toute étape. Si l'outil fonctionne en Mode de verrouillage de sécurité, contacter Campbell Hausfeld pour le support technique.

INTERRUPTEUR MARCHE/ARRÊT ÉLECTRONIQUE

Il y a sur le compartiment de pile un interrupteur MARCHE/ARRÊT pour les fonctions électroniques de l'outil et des DEL indiquant une faible quantité de clous (voir la Figure 18).

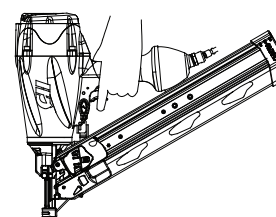
Pour utiliser la fonction, mettre l'interrupteur à la position « On » (marche). Pour éviter tout épuisement de pile indésirable pendant le rangement, mettre l'interrupteur à la position « Off » (arrêt).

Tirer la gâchette d'abord...



Surface de travail

Puis enfoncer la PC.



Surface de travail

Figure 17 - Mode de contact

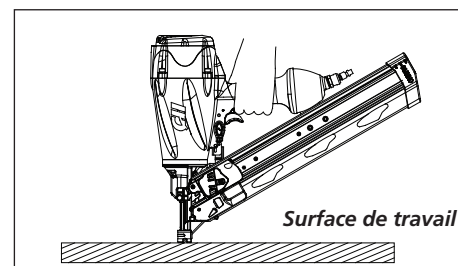


Figure 18

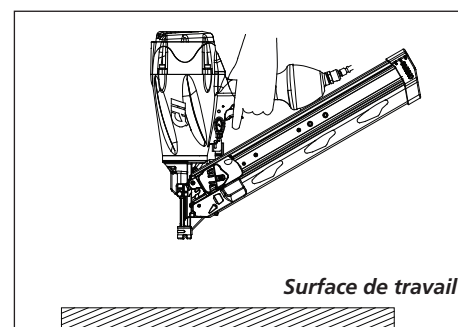


Figure 19

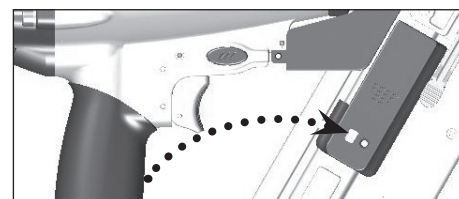


Figure 20 - Interrupteur MARCHE/ARRÊT électronique

Fonctionnement

UTILISER LA CLOUEUSE

1. Charger les attaches (voir la section Charger/décharger la cloueuse).
2. Brancher l'alimentation d'air de la cloueuse.

⚠ AVERTISSEMENT

Il ne faut pas utiliser d'outil qui fonctionne mal. Ne pas activer l'outil à moins qu'il ne soit placé fermement contre la pièce de travail.

En mode séquentiel

Enfoncer entièrement le côté de l'interrupteur de conversion “” pour activer le Mode Séquentiel.

1. Enfoncer complètement la PC.
2. Tirer la gâchette. L'attache entrera dans la pièce de travail.

En mode de contact

Enfoncer entièrement le côté de l'interrupteur de conversion “” pour activer le Mode de Contact.

1. Retirer l'outil de la surface de travail. **NE PAS** pointer l'outil vers soi-même ou les autres.
2. Tirer la gâchette.
3. Enfoncer fermement la pointe de contact (PC) contre la surface de travail. L'outil cyclera.
4. Retirer l'outil de la surface de travail. Déplacer l'outil vers la section suivante où l'on doit enfoncer une attache et répéter.

VOYANTS INDICATEURS DE FAIBLE QUANTITÉ DE CLOUS

L'outil est doté de voyants d'un côté ou l'autre de l'outil près de la buse. Mettre l'interrupteur électronique à la position **on**. Lorsque le compte de clous est de 10 clous ou moins dans le chargeur, les voyants deviennent jaunes. On peut recharger à ce moment (Voir la section Charger la cloueuse) Lorsqu'il ne reste que 5 clous environ, l'anti décharge à sec s'engagera et les voyants passent au rouge Il **faudra** recharger à ce moment.

NIVEAU À BULLES

L'outil est doté d'un niveau à bulles qui se trouve sur le chapeau de tête. Lorsque le pistolet est en position d'entraînement horizontale, on peut observer facilement s'il est à niveau et contrôlé en alignant simplement l'outil d'une manière pour que la bulle soit entre les marques centrales sur la longueur du niveau. Cela est aussi vrai dans une orientation d'entraînement vertical vers le bas en alignant l'outil pour que la bulle soit centrée dans la marque circulaire sur le dessus du niveau.

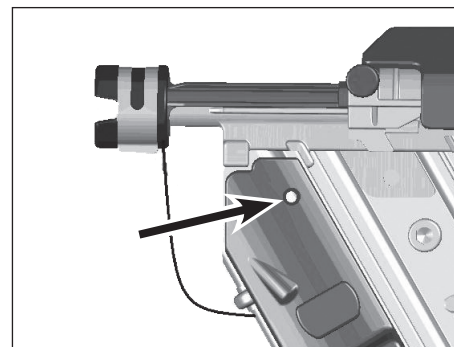


Figure 21 - Voyants indicateurs de faible quantité de clous



Figure 22 - Niveau à bulles

Rangement

La cloueuse doit être rangée dans un endroit frais et sec.

Entretien

DÉBLOQUER LA CLOUEUSE

1. Débrancher la cloueuse de l'alimentation d'air.
2. Retirer tous les clous du chargeur (Voir *Charger/Décharger*).
3. Enfoncer le levier sur la Buse à dégagement rapide (BDR) pour désengager la partie sur le corps de la buse (voir la Figure 23).
4. Si nécessaire, utiliser de petits outils manuels pour aider à dégager le clou bloqué. Il est parfois nécessaire d'utiliser un marteau et un long tournevis mince pour remettre le coulisseau jusqu'au bout dans le pistolet (voir la Figure 24).
5. Jeter le clou.
6. Dégager le levier de BDR.
7. Le poussoir de clous doit être en position verrouillée à l'arrière.
8. Débrancher l'alimentation d'air et recharger (Voir la section *Charger l'outil*).

RÉPARATION DE LA CLOUEUSE

Seul un personnel qualité doit réparer l'outil et il doit utiliser des pièces de rechange et des accessoires authentiques de Campbell Hausfeld, ou des pièces et accessoires d'une performance équivalente.

PIÈCES DE RECHANGE

⚠ AVERTISSEMENT *Utiliser seulement des pièces de rechange de Campbell Hausfeld. Réduites avec des pièces inappropriées. En commandant des pièces, spécifier le numéro de pièce.*

REPLACEMENT DE PILES

⚠ AVERTISSEMENT *Toujours débrancher l'outil de la source de courant lorsqu'il est sans supervision, pour effectuer son entretien ou des réparations, pour débloquer, charger, décharger ou déplacer l'outil vers un nouvel endroit.*

Les éléments électroniques sur l'outil (voyants indicateurs de faible quantité de clous) fonctionnent à partir de deux (2) piles AAA dans le compartiment à l'arrière du chargeur. Lorsque le courant des piles s'épuise et si elles doivent être remplacées, les fonctions électroniques pourraient ne pas fonctionner correctement ou ne pas fonctionner. Débrancher l'outil de la source d'air. Retirer la vis et le couvercle du compartiment de piles. Insérer deux (2) nouvelles piles dans la bonne direction. Ne pas mélanger de piles neuves et usées. Fermer le couvercle. Remplacer la vis.

PROCÉDURE D'ASSEMBLAGE POUR LES JOINTS

En réparant une cloueuse, les pièces internes doivent être nettoyées et lubrifiées. Il faut utiliser le Parker O-lube ou un produit équivalent sur tous les joints toriques. Chaque joint torique doit être recouvert de O-lube avant l'assemblage. Il faut utiliser une petite quantité d'huile sur toutes les surfaces et pivots mobiles. Après avoir réassemblé, il faut ajouter quelques gouttes d'huile sans détergent 30W ou l'équivalent à travers le conduit d'air, une fois avant l'utilisation opérationnelle normale.

SERVICE TECHNIQUE

Pour obtenir de l'information sur le fonctionnement ou la réparation de ce produit, appeler le 1-800-543-6400.

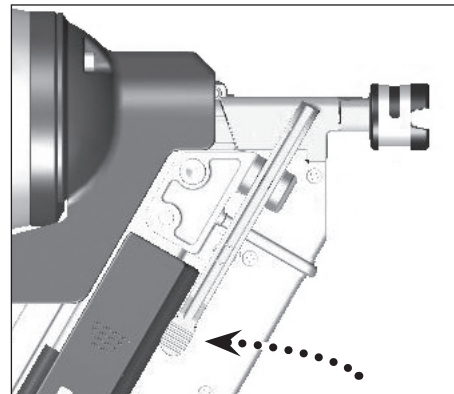


Figure 23 - Levier de buse à dégagement rapide

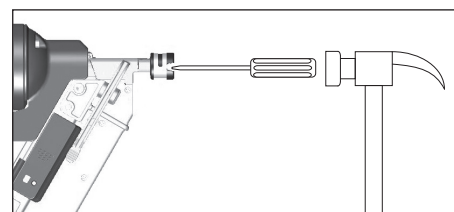


Figure 24

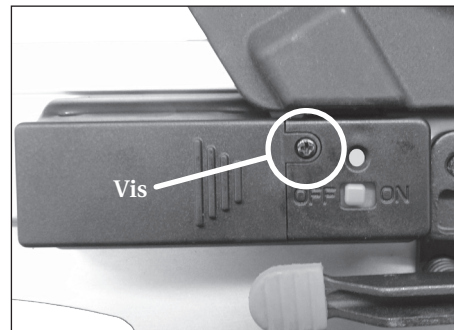


Figure 25 - Remplacement de piles

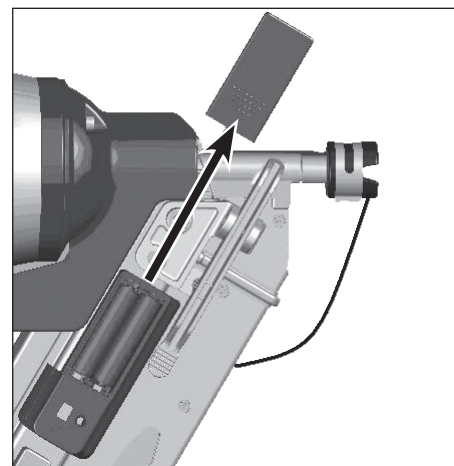


Figure 26 - Remplacement de piles

Entretien (suite)**INFORMATION SUR LES ATTACHES INTERCHANGEABLES**

Les attaches utilisées dans la cloueuse d'encadrement Campbell Hausfeld CHN70899 fonctionneront aussi dans les marques suivantes :

- DeWalt D51822 and D51823
- Hitachi NR83AA2
- Paslode F-3505
- Porter Cable FC 350A
- Ridgid R350CHA
- Senco FramePro 701XP and 751XP

Guide de dépannage

AVERTISSEMENT

Cessez l'utilisation de la cloueuse immédiatement en cas des problèmes suivants, car il résulte un risque de blessures graves. Toutes réparations doivent être effectuées par un Technicien Qualifié ou par un Centre De Service Autorisé.

SYMPTÔME	CAUSE(S) POSSIBLE(S)	ACTION CORRECTIVE
Fuite d'air à la soupape de gâchette	Joints toriques endommagés dans le boîtier de soupape de gâchette	Remplacer les joints toriques Vérifier le fonctionnement de la pointe de contact (PC)
Fuite d'air entre le boîtier et la buse	1. Joints toriques endommagés et / ou garnitures 2. Dommages au butoir	1. Remplacer les joints toriques et / ou garnitures 2. Remplacer le butoir
Fuite d'air entre le boîtier et le chapeau	1. Vis desserrées 2. Joint d'étanchéité endommagé	1. Remplacer le butoir 2. Remplacer le joint d'étanchéité
La cloueuse passe l'entraînement d'attache	1. Butoir usé 2. Poussière dans la pièce de la buse 3. La saleté ou les dommages empêchent les attaches ou le poussoir de se déplacer librement dans le chargeur 4. Ressort de poussoir endommagé 5. Circulation d'air inadéquate à la cloueuse 6. Joint torique usé sur le piston ou manque de lubrification 7. Joints toriques endommagés sur la soupape de gâchette 8. Fuites d'air	1. Remplace bumper 2. Nettoyer la voie d'entraînement 3. Nettoyer le chargeur 4. Remplacer le ressort 5. Vérifier le raccord, le boyau ou le compresseur 6. Remplacer les joints d'étanchéité du piston 7. Remplacer les joints toriques 8. Resserrer les vis et les raccords
La cloueuse tourne lentement ou a perdu du courant	1. La cloueuse non lubrifiée suffisamment 2. Ressort brisé dans le bouchon du cylindre 3. Le port d'échappement dans le bouchon est bloqué	1. Lubrifier la cloueuse 2. Remplacer le ressort 3. Remplacer les pièces internes endommagées
Les clous sont bloqués dans la cloueuse	1. Le guide d'entraînement est usé 2. Les clous ne sont pas du bon type 3. Les clous sont pliés 4. Le chargeur ou les vis de la buse sont desserrés 5. L'entraîneur est endommagé 6. Les clous sont mal chargés	1. Remplacer le guide 2. Utiliser seulement les clous recommandés 3. Remplacer par des clous non endommagés 4. Resserrer les vis 5. Remplacer l'entraînement 6. Revoir la section Charger / Décharger du manuel
Les indicateurs de faible quantité de clous	1. Interrupteur du système d'alimentation n'est pas en marche 2. Les piles doivent être remplacées 3. Les composants non remplacés correctement durant le réassemblage après l'entretien des clients	1. Mettre l'interrupteur en marche 2. Remplacer les piles (voir la section « Changer les piles ») 3. Revoir les vues de pièces pour obtenir de l'aide pour un réassemblage approprié

Pour pièces de rechange ou assistance technique, appeler 1-800-543-6400

S'il vous plaît fournir l'information suivante :

- Numéro de modèle
- Code imprimé sur l'outil
- Description de la pièce et son numéro

Adresser toute correspondance à :

Campbell Hausfeld
 Attn: Customer Service
 100 Production Drive
 Harrison, OH 45030 U.S.A.

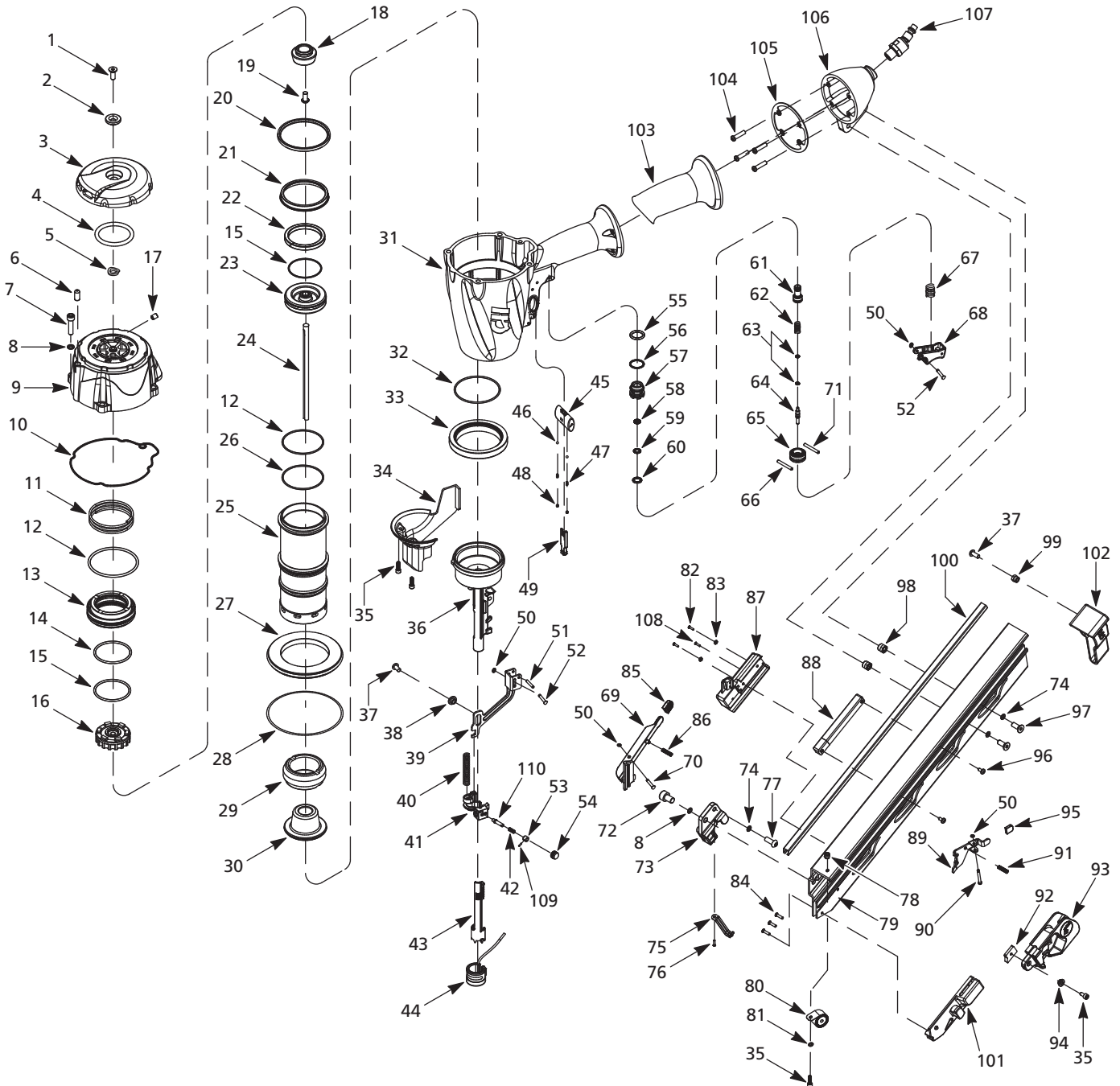


Figure 27 - Illustration des pièces de réparation pour la Cloueuse d'encadrement, modèle CHN70899AV

Liste de pièces de rechange pour la cloueuse d'encadrement

No. de Réf.	Description	Numéro de Pièce	Qté.	No. de Réf.	Description	Numéro de Pièce	Qté.
1	Vis d'assemblage à tête creuse - M6 x 20	*	1	66	Goupille à ressort	○	1
2	Douille	—	1	67	Ressort	◇	1
3	Couvercle d'échappement	—	1	68	Gâchette équipée	◇	1
4	Joint d'étanchéité	■	1	69	Porte de buse à dégagement rapide (BDR)	—	1
5	Rondelle	■	1	70	Goupille à ressort	—	1
6	Niveau à bulles	▲	1	71	Goupille à ressort	○	1
7	Vis d'assemblage à tête creuse - M6 x 30	*	4	72	Vis d'assemblage à tête creuse - M6 x 16	—	1
8	Rondelle - M6	*	5	73	Fixation de porte de BDR	—	1
9	Chapeau de culasse	—	1	74	Rondelle - M6	*	2
10	Joint d'étanchéité	■●	1	75	Attache	▽	1
11	Ressort	●	1	76	Vis	▽	1
12	Joint torique	■●▽	2	77	Vis d'assemblage à douille à tête ronde - M6 x 10	*	1
13	Soupape	●	1	78	Écrou - M4	D	1
14	Joint torique	■●	1	79	Chargeur	—	1
15	Joint torique	■●◆	2	80	Ressort de serpent	D	1
16	Siège de soupape	●	1	81	Rondelle - M4	D	1
17	Vis de serrage - M6 x 8	*	1	82	Vis - M2.5 x 6	▽	2
18	Butoir	●	1	83	Écrou - M4	▽	2
19	Vis d'assemblage à douille à tête ronde - M6 x 12	●	1	84	Vis - M3 x 10	▽	3
20	Collier	■●	1	85	Manchon	—	1
21	Joint d'étanchéité de cylindre	■●	1	86	Ressort	—	1
22	Anneau de piston	■◆	1	87	Boîtier de pile	▽	1
23	Piston	◆	1	88	Boîtier à décalque de rappel	⊗	1
24	Lame d'entraînement	◆	1	89	Poussoir	D	1
25	Cylindre	—	1	90	Goupille-ressort	D	1
26	Joint torique	■▽	1	91	Ressort	D	1
27	Anneau d'étanchéité	■▽	1	92	Plaque de restricteur à poussoir	D	1
28	Joint torique	▽	1	93	Siège du poussoir	D	1
29	Butoir supérieur	▽	1	94	Douille	D	1
30	Butoir inférieur	▽	1	95	Manchon	D	1
31	Corps	—	1	96	Vis - M4 x 8	⊗	2
32	Joint torique	■	1	97	Vis - M6 x 20	*	2
33	Anneau	—	1	98	Écrou - M6	*	2
34	Revêtement de buse	—	1	99	Écrou - M5	*	1
35	Vis d'assemblage à tête creuse - M4 x 8	D	4	100	Rail	—	1
36	Buse	—	1	101	Boîtier électronique	▽	1
37	Vis d'assemblage à douille à tête ronde - M5 x 12	✕	2	102	Chapeau d'extrémité de chargeur	—	1
38	Douille	✕	1	103	Prise	—	1
39	Pointe de contact supérieure (PC)	✕	1	104	Vis d'assemblage à douille à tête ronde	—	4
40	Ressort	▷	1	105	Joint d'étanchéité	—	1
41	Douille de CPA	▷	1	106	Chapeau d'extrémité d'entrée	■	1
42	Ressort	▷	1	107	Bouchon pivotant de 1/4-18 I/M (m)	SV567600AV	1
43	Pointe de contact inférieure	▷	1	108	Vis - M2 x 6	▽	1
44	Embout anti-marques	△▽	1	109	Goupille	▷	1
45	Sélecteur de mode à gâchette	□	1	110	Goupille de contrôle de profondeur ajustable (CPA)	▷	1
46	Roulement à billes	□	2	TROUSSES DE PIÈCES DE RECHANGE			
47	Ressort	□	2	▲	Trousse de niveau à bulles (Qté.: 3)	SKN16800AV	
48	Vis de serrage - M4 x 5	□	2	■	Trousse complète de joints toriques	SKN16900AV	
49	Déclancheur	✕	1	●	Nécessaire de soupape de tête de piston	SKN17000AV	
50	Joint torique de retenue	■✕◇D	4	◆	Trousse d'assemblage d'entraînement	SKN17100AV	
51	Goupille à ressort	✕	1	▽	Trousse de réparation de cylindre	SKN17200AV	
52	Goupille-ressort	✕◇	2	✕	Nécessaire de PC	SKN17300AV	
53	Cylindre	▷	1	▷	Trousse de réparation de CPA	SKN17400AV	
54	Couvercle du bouton	▷	1	△	Trousse d'embout anti-marques (Qté.: 2)	SKN17500AV	
55	Joint torique	■○	1	□	Nécessaire d'interrupteur à gâchette de conversion	SKN17600AV	
56	Joint torique	■○	1	○	Trousse de réparation de soupape de gâchette	SKN17700AV	
57	Soupape de gâchette	○	1	◇	Trousse d'assemblage de gâchette	SKN17800AV	
58	Joint torique	■○	1	▽	Trousse de module électronique (un peu de soudure requise)	SKN26200AV	
59	Joint torique	■○	1	⊗	Trousse de décalques d'avertissement	SKN18000AV	
60	Joint torique	■○	1	D	Trousse d'assemblage de poussoir	SKN18100AV	
61	Corps de soupape de gâchette supérieur	○	1	—	Non disponible		
62	Ressort	○	1	*	Article de quincaillerie standard - disponible à votre quincaillerie locale		
63	Joint torique	■○	2				
64	Tige de soupape de gâchette	○	1				
65	Corps de soupape de gâchette inférieur	○	1				

Mémento: Gardez votre preuve datée d'achat à fin de la garantie! Joignez-la à ce manuel ou classez-la dans un dossier pour plus de sécurité.

Garantie Limitée

1. DURÉE: À partir de la date d'achat par l'acheteur original comme suit - Un An.
2. GARANTIE ACCORDÉE PAR (GARANT): Campbell Hausfeld/Scott Fetzer Company, 100 Production Drive, Harrison, Ohio, 45030, Téléphone: (800) 543-6400
3. BÉNÉFICIAIRE DE CETTE GARANTIE (ACHETEUR): L'acheteur original (sauf en cas de revente) du produit Campbell Hausfeld.
4. PRODUITS COUVERTS PAR CETTE GARANTIE: Cette agrafeuse ou cloueuse Campbell Hausfeld.
5. COUVERTURE DE LA PRÉSENTE GARANTIE: Défauts importants des matériaux et de main d'oeuvre qui se produisent durant la période de garantie à l'exception de ce qui est noté plus bas.
6. LA PRÉSENTE GARANTIE NE COUVRE PAS:
 - A. Les garanties implicites, y compris celles de commercialisabilité et D'ADAPTION À UNE FONCTION PARTICULIÈRE SONT LIMITÉES À PARTIR DE LA DATE D'ACHAT INITIALE TELLE QU'INDIQUÉE DANS LA SECTION DURÉE. Si ce produit est utilisé pour une fonction commerciale, industrielle ou pour la location, la durée de la garantie sera quatre-vingt-dix (90) jours à compter de la date d'achat. Quelques Provinces (États) n'autorisent pas de limitations de durée pour les garanties implicites. Les limitations précédentes peuvent donc ne pas s'appliquer.
 - B. TOUT DOMMAGE, PERTE OU DÉPENSE FORTUIT OU INDIRECT POUVANT RÉSULTER DE TOUT DÉFAUT, PANNE OU MAUVAIS FONCTIONNEMENT DU PRODUIT CAMPBELL HAUSFELD. Quelques Provinces (États) n'autorisent pas l'exclusion ni la limitation des dommages fortuits ou indirects. La limitation ou exclusion précédente peut donc ne pas s'appliquer.
 - C. Toute panne résultant d'un accident, d'une utilisation abusive, de la négligence ou d'une utilisation ne respectant pas les instructions données dans le(s) manuel(s) accompagnant le produit. Un accident, l'utilisation abusive par l'acheteur, la négligence ou le manque de faire fonctionner les produits selon les instructions comprend aussi l'enlèvement ou la modification de n'importe quel appareil de sûreté. Si ces appareils de sûreté sont enlevés ou modifiés, la garantie sera annulée.
 - D. Réglages normaux qui sont expliqués dans le(s) manuel(s) d'utilisation accompagnant le produit.
 - E. Articles ou services qui sont exigés pour l'entretien normal du produit; par ex. joints toriques, ressorts, butées, filtres de débris, lames d'entraînement, batteries, joints d'étanchéité, emballages ou sceaux, lubrifiants ou toute autre pièce consommable non spécifiquement indiquée. Ces articles ne seront couverts que pendant quatre-vingt-dix (90) jours de la date d'achat original. Les articles soulignés sont garantis contre les défauts de matériaux et de main d'œuvre seulement.
7. RESPONSABILITÉS DU GARANT AUX TERMES DE CETTE GARANTIE: Réparation ou remplacement, au choix du Garant, de produits ou composants défectueux, ont connu une défaillance ou qui ne sont pas conformes pendant la durée précise de validité de la garantie.
8. RESPONSABILITÉS DE L'ACHETEUR AUX TERMES DE CETTE GARANTIE:
 - A. Fournir une preuve d'achat datée et un état d'entretien.
 - B. Livraison ou expédition du produit ou de la pièce Campbell Hausfeld au Centre De Service Autorisé Campbell Hausfeld. Taux de frais, si applicables, sont la responsabilité de l'acheteur.
 - C. Utilisation et entretien du produit avec un soin raisonnable, ainsi que le décrit le(s) manuel(s) d'utilisation.
9. RÉPARATION OU REMPLACEMENT EFFECTUÉ PAR LE GARANT AUX TERMES DE LA PRÉSENTE GARANTIE: La réparation ou le remplacement sera prévu et exécuté en fonction de la charge de travail dans le centre de service et dépendra de la disponibilité des pièces de rechange.

Cette Garantie Limitée s'applique aux É.-U., au Canada et au Mexique seulement et vous donne des droits juridiques précis. L'acheteur peut également jouir d'autres droits qui varient d'une Province, d'un État ou d'un Pays à l'autre.



Clavadora para estructuras de 8,9 cm (3-1/2 pulg.) a 34°

Manual de Instrucciones y Lista de Piezas

CHN70899



ENGLISH: Page 1
FRANÇAISE: Page 21

IN728900AV 7/10

© 2010 Campbell Hausfeld/Scott Fetzer



MAKES IT EASY TO DO IT LIKE A PRO

chpower.com

Download from www.Somanuals.com. All Manuals Search And Download.

Índice

Descripción	S-43	Para cargar y descargar la clavadora	S-51
Especificaciones	S-43	Para cargar la clavadora	S-51
Medidas de seguridad	S-44	Para descargar la clavadora	S-51
Símbolos de seguridad	S-44	Ajuste de la penetración del clavo	S-51
Importantes instrucciones de seguridad	S-44	Ajuste de la dirección del orificio de salida	S-51
Instrucciones sobre peligro de incendios, choque eléctrico o lesiones personales	S-44	Instalación de la punta antirrayones	S-51
Proposición 65 de California	S-44	Desinstalación de la punta antirrayones	S-51
General	S-44	Previo al funcionamiento	S-52
Área de trabajo	S-44	Modos de funcionamiento	S-52
Seguridad personal	S-45	Modo de secuencia	S-52
Seguridad eléctrica	S-45	Modo de contacto	S-52
Uso y cuidado de la herramienta	S-45	Modo de bloqueo de seguridad	S-52
Servicio	S-46	Elemento de contacto de trabajo (WCE)	S-52
Suministro de aire	S-46	Interruptor de ON/OFF (encendido/apagado) para funciones electrónicas	S-53
Desempaque	S-47	Funcionamiento	S-54
Contenidos	S-47	Disparo de la clavadora	S-54
Artículos adicionales no incluidos	S-47	Luces indicadoras de bajo nivel de clavos	S-54
Ensamblaje	S-47	Nivel de burbuja	S-54
Glosario	S-48	Almacenamiento	S-55
Conozca su clavadora para estructuras como un profesional	S-49	Mantenimiento	S-55
Características	S-49	Como desobstruir la clavadora	S-55
Anti disparo sin carga	S-49	Reparación de la clavadora	S-55
Antirrayones flotante	S-49	Piezas de repuesto	S-55
Luces indicadoras de bajo nivel de clavos	S-49	Reemplazo de las pilas	S-55
Nivel de burbuja	S-49	Procedimiento de ensamblaje para los sellos	S-55
Configuración	S-50	Servicio técnico	S-56
Lubricación	S-50	Información de intercambio de sujetadores	S-56
Componentes mínimos necesarios para la conexión	S-50	Guía de resolución de problemas	S-57
Instrucciones para la conexión de la clavadora al suministro de aire	S-50	Lista de piezas de repuesto para la clavadora para estructuras	S-58 – S-59
Requerimientos para la manguera de aire	S-50	Garantía	S-60

Por información sobre piezas, productos y servicios

LLAME: Atención al cliente al 1-800-543-6400

DIRIJA TODA LA CORRESPONDENCIA A: Campbell Hausfeld
Attn: Customer Service
100 Production Drive
Harrison, OH 45030 U.S.A.



Clavadora para Estructuras



Descripción

Esta clavadora está diseñada para el armado de estructuras, armaduras de cubierta, contrapisos, plataformas exteriores, y pálets/cajones. Las características incluyen: práctico cargador de carga trasera con una capacidad de hasta 100 clavos, punta antirrayones flotante para plataformas, boquilla de desobstrucción rápida, profundidad ajustable del mecanismo de accionamiento, no necesita aceite, indicador electrónico de nivel bajo de clavos, cargador en línea, nivel de burbuja, mecanismo contra disparos vacíos, gatillo de conversión con bloqueo de seguridad, cómodo mango de goma, conector giratorio, y orificio de salida de aire ajustable.

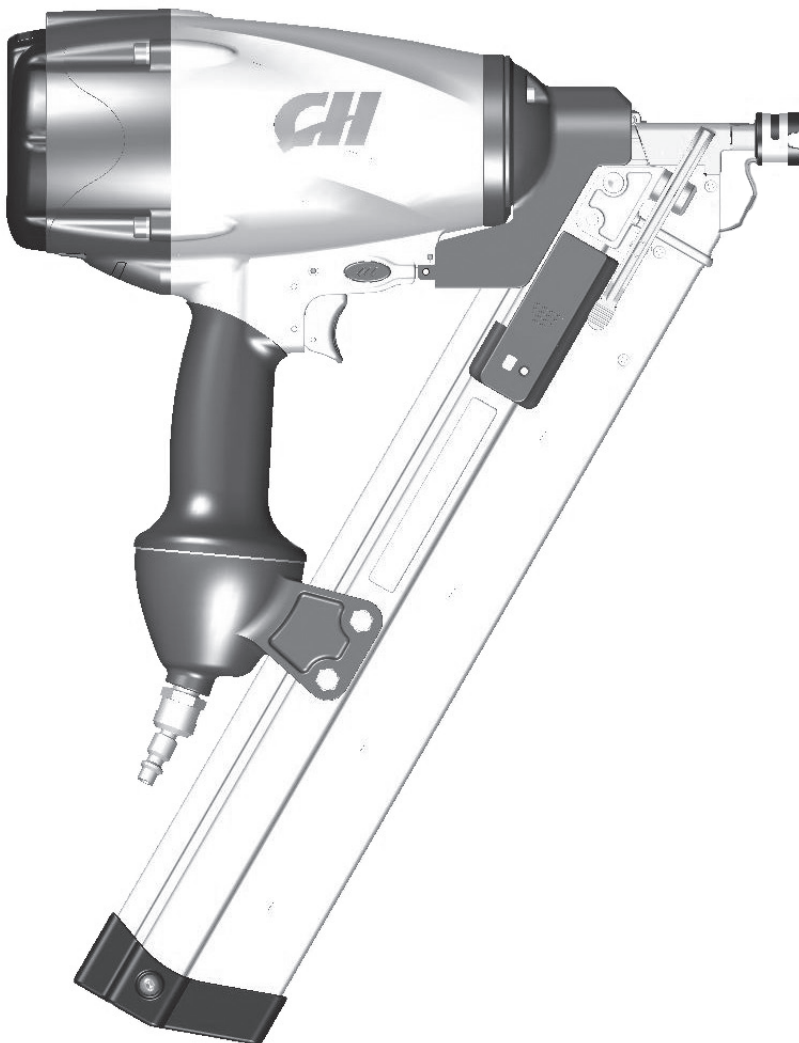


Figura 1 - CHN70899 Clavadora para Estructuras

Especificaciones

Modelo CHN70899

Requiere: 2,5 SCFM prom. con 16 sujetadores por minuto a 6,21 bar (90 psi)

Entrada de Aire:
0,64 cm (1/4 pulg.) NPT

Tamaños de los sujetadores:

- ◆ 5 a 9 cm (2 pulg. a 3-1/2 pulg. de largo)
- ◆ 0,28 a 0,33 cm (0,113 pulg. a 0,131 pulg.) de diámetro de espiga
- ◆ 31° - 34°

Capacidad del cargador:

85 a 100 sujetadores por carga

Peso: 2,49 kg (9 lbs., 4 oz.)

Longitud: 53,34 cm (21 inches)

Altura: 36,83 cm (14-1/2 inches)

Presion Maxima: 8,27 bar

Rango de la Presion:

4,83 bar - 8,27 bar

Pilas: Dos (2) AAA

Localice el número de modelo y el código de fecha en el cargador y/o cuerpo de la herramienta. Regístrelo a continuación:

Nº de modelo: _____

Código de fecha: _____

Guarde estos números para referencia futura.

Medidas de Seguridad

Este manual contiene información que es muy importante que se conozca y comprenda. Esta información se proporciona con fines de SEGURIDAD y para EVITAR PROBLEMAS CON EL EQUIPO. Para ayudar a reconocer esta información, observe los siguientes símbolos.

▲ PELIGRO Peligro indica una situación inminentemente peligrosa, que si no se evita, dará como resultado la muerte o lesiones graves.

▲ ADVERTENCIA Advertencia indica una situación potencialmente peligrosa, que si no se evita, PODRÍA ocasionar la muerte o lesiones graves.

▲ PRECAUCION Precaución indica una situación potencialmente peligrosa, que si no se evita, PUEDE dar como resultado lesiones leves o moderadas.

AVISO Aviso indica una información importante, que de no seguirla, le podría ocasionar daños al equipo.

IMPORTANTE: Información que requiere atención especial.

Símbolos de seguridad

Los siguientes símbolos de seguridad aparecen a lo largo de este manual para advertirle de importantes peligros y precauciones de seguridad.



Use protección para los ojos y máscara



Lea primero el manual



Riesgo de lesiones personales



Riesgo de caída



Use protección para los ojos



Use protección para los oídos



Riesgo de incendio



Riesgo de explosión



Riesgo de choque eléctrico

Importantes Instrucciones De Seguridad

INSTRUCCIONES EN REFERENCIA AL PELIGRO DE INCENDIOS, CHOQUE ELÉCTRICO O LESIONES PERSONALES

Este manual contiene información sobre seguridad, funcionamiento y mantenimiento. Si tiene preguntas, llame al 1-800-543-6400 para obtener asistencia al cliente.

▲ ADVERTENCIA Cuando se usen herramientas, siempre se deberán seguir precauciones básicas, incluyendo las siguientes:

PROPOSICIÓN 65 DE CALIFORNIA

▲ ADVERTENCIA Este producto, o su cordón eléctrico, puede contener productos químicos conocidos por el estado de California como causantes de cáncer y defectos de nacimiento u otros daños reproductivos. Lave sus manos después de usar.

▲ ADVERTENCIA Cuando corta lija, taladra o pule materiales como por ejemplo madera, pintura, metal, hormigón, cemento, u otro tipo de mampostería se puede producir polvo. Con frecuencia este polvo contiene productos químicos que se conocen como causantes de cáncer, defectos congénitos u otros daños reproductivos. Use equipo de protección.



GENERAL

- Para reducir el riesgo de choque eléctrico, incendio y lesiones personales, lea todas las instrucciones antes de usar la herramienta. Si no respeta las advertencias, los riesgos y las recomendaciones, eso podría resultar en la MUERTE o en LESIONES GRAVES.
- Familiarícese con los controles y el uso adecuado del equipo. Siga todas las instrucciones. Póngase en contacto con su representante Campbell Hausfeld si tiene alguna pregunta.
- Sólo se les debe permitir usar esta unidad a aquellas personas bien familiarizadas con estas reglas de manejo seguro.



▲ ADVERTENCIA No opere la clavadora ni permita que otros la operen si las etiquetas de advertencia están ilegibles. Éstas se encuentran en el cargador o el cuerpo de la clavadora.

▲ ADVERTENCIA Siempre asuma que la clavadora tiene clavos. Respete la herramienta como un implemento de trabajo; no juegue con ella. Siempre mantenga a los demás a una distancia segura del área de trabajo, en caso de una descarga accidental de clavos. No apunte con la herramienta hacia usted o hacia otra persona, ya sea que contenga o no clavos. El disparo accidental de la clavadora podría resultar en la muerte o en graves lesiones personales.

▲ PRECAUCION No haga ninguna modificación a la herramienta sin obtener primero la aprobación por escrito de Campbell Hausfeld. No use la clavadora si le faltan alguna de las tapas protectoras o si éstas han sido modificadas. No use la clavadora como un martillo. Se pueden producir lesiones personales o daños a la herramienta.

AVISO Limpie y cheque todas las mangueras de suministro de aire y conexiones antes de conectar la clavadora al compresor. Reemplace las mangueras y conexiones que estén dañadas o desgastadas. El rendimiento de la herramienta o su durabilidad podrían reducirse.

ÁREA DE TRABAJO

- Mantenga el área de trabajo limpia y bien iluminada. Los bancos desordenados y las áreas oscuras aumentan el riesgo de choque eléctrico, incendio y lesiones personales.
- No haga funcionar la herramienta en entornos explosivos, como por ejemplo cuando haya polvo, líquidos o gases inflamables. La herramienta puede crear chispas y provocar la ignición de polvo o vapores.
- Mantenga alejados a los observadores, niños y visitantes mientras hace funcionar la herramienta. Las distracciones pueden dar como resultado la pérdida del control de la herramienta.



Importantes Instrucciones De Seguridad (Continuación)

SEGURIDAD PERSONAL

- a. **Manténgase alerta. Mire lo que está haciendo y use el sentido común cuando haga funcionar la herramienta. No use la herramienta si está cansado o bajo la influencia de drogas, alcohol o medicamentos.** Un momento de desatención mientras hace funcionar la herramienta aumenta el riesgo de lesiones personales.
- b. **Vístase adecuadamente. No use alhajas ni vestimenta suelta. Sujétese el cabello largo. Mantenga el cabello, vestimenta y guantes alejados de las piezas móviles.** La vestimenta suelta, las alhajas o el cabello largo aumentan el riesgo de lesiones personales como resultado de quedar atrapados en las piezas móviles.
- c. **No intente alcanzar lugares alejados. Mantenga un buen soporte y equilibrio en todo momento.** Un soporte y equilibrio adecuados permiten un mejor control de la herramienta en situaciones inesperadas.
- d. **Use equipo de seguridad.** Se debe usar una máscara para polvo, calzado de seguridad antideslizante y casco para las condiciones que se apliquen.



ADVERTENCIA Asegurarse de que la herramienta se use únicamente cuando el operador y todo el resto del personal en el área de trabajo estén usando equipo de protección ocular ANSI Z87 y demás equipo de protección de cabeza, oídos y pies. Pueden ocasionarse lesiones graves o permanentes de ojos y oídos.



e. **Use siempre una protección para el oído cuando use la herramienta.** La exposición prolongada a ruido de alta intensidad puede causar pérdida de audición.



f. **No ate la manguera ni la herramienta a su cuerpo.** Adjunte la manguera a la estructura para reducir el riesgo de pérdida de equilibrio si la manguera se cambia de posición.

g. **Siempre asuma que la herramienta contiene clavos.** No apunte con la herramienta hacia usted o hacia otra persona, ya sea que contenga clavos o no.



ADVERTENCIA No deje que la herramienta se caiga ni la tire. Ésto podría dañarla o convertirla en algo peligroso de usar. En caso de que la herramienta se haya caído o la hayan tirado, revísela con cuidado a ver si está doblada o rota, si tiene alguna pieza dañada o tiene fugas de aire. DEJE de trabajar y repárela antes de usarla o podría ocasionarle heridas graves.

PRECAUCION Evite trabajar con esta clavadora por largos períodos. Deje de usar la clavadora si siente dolor en las manos o en los brazos.

PRECAUCION Sostenga la herramienta por la superficie de sujeción aislada cuando realice una operación en la que la herramienta o el sujetador puedan entrar en contacto con un cableado oculto. Al entrar en contacto con un cable con corriente las piezas metálicas expuestas de la herramienta conducirán la electricidad y el usuario recibirá un choque eléctrico.

ADVERTENCIA Nunca coloque las manos ni ninguna otra parte del cuerpo en el área de descarga de la clavadora. La clavadora podría disparar un sujetador y podría causar la muerte o una lesión personal grave.



SEGURIDAD ELÉCTRICA

ADVERTENCIA Cambie las pilas únicamente por pilas del mismo tamaño. No mezcle pilas viejas con nuevas. El uso de pilas de otro tamaño puede ocasionar un riesgo de incendio o de lesiones.



ADVERTENCIA El extremo delantero de la herramienta puede conducir corriente si la herramienta entra en contacto con cables con corriente dentro de la pared. PARA EVITAR CHOQUES ELÉCTRICOS ACCIDENTALES, SOSTENGA LA HERRAMIENTA ÚNICAMENTE POR EL MANGO DE SUJECIÓN SUAVE.



USO Y CUIDADO DE LA HERRAMIENTA

a. **No fuerce la herramienta.** Use la herramienta correcta para la aplicación. La herramienta correcta hará el trabajo mejor y en forma más segura a la velocidad para la cual fue diseñada.

ADVERTENCIA Desconecte la herramienta del suministro de aire antes de hacer cualquier ajuste, realizar el mantenimiento de la herramienta, eliminar obstrucciones, tocar la horquilla de seguridad, dejar el área de trabajo, cargar o descargar la herramienta. Estas medidas de precaución reducen el riesgo de lesiones a las personas.

b. **Cuando no esté en uso, guarde la herramienta fuera del alcance de los niños y otras personas no capacitadas.** Una herramienta es peligrosa cuando está en manos de usuarios inexpertos.

c. **Cuide su herramienta. Una herramienta mantenida adecuadamente reduce el riesgo de problemas y es más fácil de controlar.**

d. **Use solo los sujetadores que se enumeran en la sección "Información de intercambio de sujetadores" en la página 48.** Los sujetadores no identificados por el fabricante de la herramienta para ser usados con esta herramienta pueden resultar en un riesgo de lesiones personales o daño a la herramienta cuando se usen en esta herramienta.

e. **Trabaje siempre en un área bien ventilada. Use una máscara para polvo aprobada por OSHA.**

ADVERTENCIA Desconecte siempre la herramienta de la fuente de energía cuando no la esté atendiendo, cuando le esté realizando mantenimiento o reparaciones, desobstruyéndola, cargándola, descargándola o moviéndola a un nuevo sitio.

ADVERTENCIA Siempre ajuste la herramienta con un conector o acoplador de mangueras colocado en o cerca de la herramienta de un modo tal que se descargue todo el aire comprimido en la herramienta en el momento en que se desconecte el conector o el acoplador de mangueras. No use una válvula de retención ni ningún otro conector que permita que el aire permanezca en la clavadora. Eso puede resultar en muerte o graves lesiones personales.

ADVERTENCIA Nunca transporte la clavadora sosteniéndola por la manguera de aire ni tire de la manguera para mover la clavadora o un compresor. Mantenga las mangueras alejadas del calor, aceite y bordes filosos. Cambie las mangueras que estén dañadas, debilitadas o desgastadas. Podrían provocarse daños a la herramienta o lesiones personales.

Importantes Instrucciones De Seguridad (Continuación)

⚠ ADVERTENCIA

No clave un clavo encima de otros clavos. El clavo podría rebotar y causar la muerte o una grave herida punzante.

AVISO

No exponga la herramienta a calor extremo.

- f. No la guarde en lugares donde la temperatura pueda alcanzar o exceder los 120°F (49°C), como un cobertizo de metal para herramientas o un auto en verano. Esto puede provocar que las pilas se deterioren.
- g. No desarme la herramienta.
- h. Retire las baterías si va a guardar la herramienta durante un largo tiempo.

NOTA: la temperatura de la batería aumentará durante el uso y enseguida después de usarla.

Utilice únicamente pilas alcalinas de repuesto nuevas [se precisan 2 (dos) AAA]. No mezcle pilas viejas con nuevas.

Vida útil de almacenamiento de la pila - las pilas incluidas pueden estar levemente gastadas o agotadas dependiendo de cuánto tiempo ha pasado hasta que se compró el producto. No devuelva el producto a la tienda por pilas descargadas, llame a Campbell Hausfeld al 1-800-543-6400 para obtener asistencia.

- i. **No modifique ni altere la clavadora ni ninguna de sus piezas. No use la clavadora si se ha quitado o alterado alguna protección.** No use la clavadora como martillo. Podrían provocarse daños a la herramienta o lesiones personales.

⚠ PELIGRO

No use ningún tipo de gas inflamable ni oxígeno como fuente de energía para la clavadora. Use únicamente aire comprimido filtrado, lubricado y regulado. El uso de un gas comprimido en vez de aire comprimido puede provocar que la clavadora explote, lo cual puede ocasionar la muerte o graves lesiones personales.

⚠ PELIGRO

Nunca use gasolina ni ningún otro líquido inflamable para limpiar la clavadora. Nunca use la clavadora cuando haya líquidos o gases inflamables. Los vapores podrían ser encendidos por una chispa y provocar una explosión, la cual dará como resultado la muerte o lesiones personales graves.

⚠ PELIGRO

No modifique ni desactive el Elemento de contacto de trabajo (WCE, por sus siglas en inglés). No ate ni pegue con cinta el WCE ni apriete el gatillo en una posición en que esté oprimido. Eso puede resultar en muerte o graves lesiones personales.

⚠ PRECAUCION

Siempre controle que el elemento de contacto de trabajo (WCE) esté funcionando correctamente. Si el WCE no estuviera funcionando de forma adecuada un clavo podría clavarse accidentalmente. Pueden ocurrir lesiones personales.

⚠ PELIGRO

No toque el gatillo a menos que esté clavando. Nunca conecte la línea de aire a la clavadora ni transporte la misma mientras esté tocando el gatillo. La herramienta podría disparar un sujetador lo cual causará la muerte o una lesión personal grave.

SERVICIO

- a. El servicio de la herramienta debe ser realizado sólo por personal de reparaciones calificado.
- b. Al realizarle un servicio a la herramienta, utilice únicamente piezas de repuesto idénticas. Use sólo piezas autorizadas.
- c. Use sólo los lubricantes que el fabricante proporciona con la herramienta.

⚠ PRECAUCION

Desconecte el suministro de agua y libere la tensión del mecanismo de impulso antes de intentar quitar obstrucciones debido a que pueden expulsarse sujetadores de la parte frontal de la clavadora. Pueden ocurrir lesiones personales.

SUMINISTRO DE AIRE

- a. **Nunca conecte a un suministro de aire capaz de exceder las 13,79 bar.** Someter la herramienta a presión excesiva puede resultar en una explosión, funcionamiento anormal, daños a la herramienta o graves lesiones personales. Use sólo aire comprimido limpio, seco y regulado a la presión de funcionamiento o dentro del rango de presiones indicado en la herramienta. Antes de usar la herramienta, verifique siempre que el suministro de aire haya sido regulado a la presión de funcionamiento o esté dentro del rango de presiones indicadas.
- b. **No use nunca oxígeno, dióxido de carbono, gases combustibles o ningún gas en botellas como suministro de aire para la herramienta.** Tales gases pueden explotar y causar graves lesiones personales.

AVISO

Los compresores de aire usados para suministrarle aire a la clavadora deben cumplir los requerimientos establecidos por la organización norteamericana ANSI en el código B19.3-1991; sobre seguridad y estándares para compresores de aire industriales. Contacte al fabricante de su compresor de aire para mayor información.

GUARDE ESTAS INSTRUCCIONES – NO LAS DESECHE

Los símbolos de PELIGRO, ADVERTENCIA, PRECAUCIÓN, y AVISO y las instrucciones en este manual no pueden posiblemente cubrir todas las condiciones y situaciones posibles que puedan presentarse. El usuario debe entender que las precauciones y el sentido común son factores que no pueden incorporarse en este producto: es el usuario mismo quién debe contribuirlos.

Desempaque

Después de desempacar la unidad, inspecciónela cuidadosamente para detectar cualquier daño que pueda haber ocurrido durante el envío. Verifique que no haya piezas sueltas, faltantes ni dañadas. Asegúrese de ajustar cualquier accesorio, tornillos, etc., antes de hacer funcionar la unidad. Asegúrese de que todos los accesorios proporcionados vengan con la unidad. En caso de que tenga preguntas, o de que haya piezas dañadas o faltantes, llame a 1-800-543-6400 para obtener asistencia al cliente.

CONTENIDOS

- ◆ Clavadora para estructuras
- ◆ Clavos de 8,9 cm (3-1/2 pulg.), a 34°
- ◆ Baterías
- ◆ Llave Allen
- ◆ Instrucciones de funcionamiento
- ◆ Tarjeta de garantía
- ◆ Bolsa para transporte

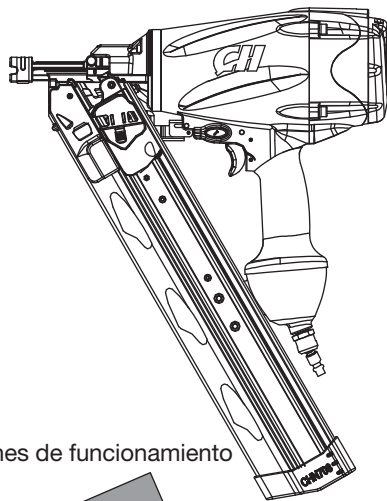
ARTÍCULOS ADICIONALES NO INCLUIDOS

- ◆ Compresor (debe ser capaz de mantener un mínimo de 4,83 bar (70 psi) cuando se usa la clavadora)
- ◆ Manguera de aire
- ◆ Herramienta pequeña para eliminar obstrucciones
- ◆ Pegamento fijador de roscas
- ◆ Protección para los ojos ANSI Z87
- ◆ Debe usarse protección auditiva y otros dispositivos de protección personal.

Ensamblaje

Esta herramienta viene completamente ensamblada.

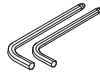
Clavadora para estructuras



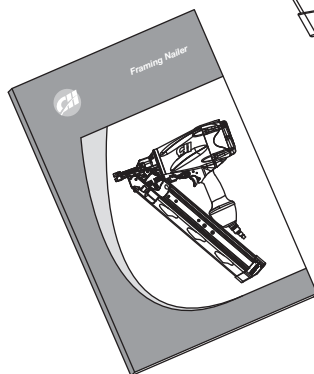
Pilas (Baterías)



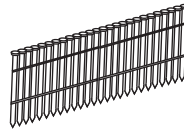
Llave Allen



Instrucciones de funcionamiento



Clavos de 8,9 cm (3-1/2 pulg.), a 34°



Bolsa para transporte

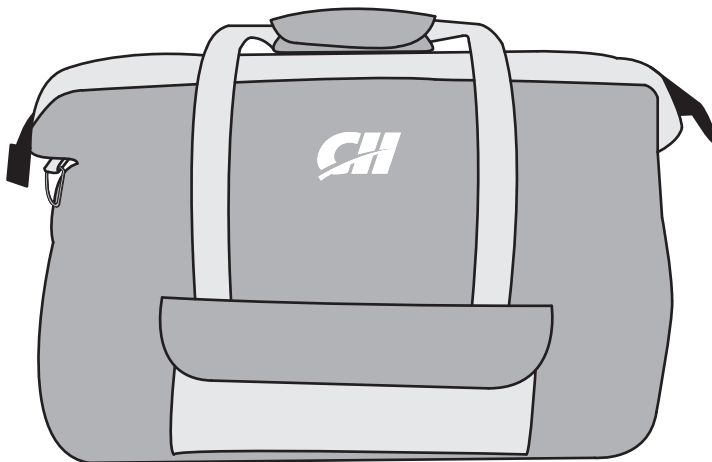


Figura 2

Glosario

Familiarícese con estos términos antes de poner la unidad en funcionamiento.

ACTIVAR (HERRAMIENTA) — Producir el movimiento del (de los) componente(s) de la herramienta diseñado(s) para impulsar el sujetador.

SISTEMA DE ACTIVACIÓN — El uso de un gatillo, elemento de contacto de trabajo (WCE) y/o otro control de funcionamiento, de modo independiente, en combinación o en secuencia, para activar la herramienta.

ENTRADA DE AIRE — La abertura en que se conecta el suministro de aire comprimido, por lo general a través de una conexión roscada.

SUJETADORES — La clavadora utiliza sujetadores que van de 5 cm a 8 cm (2 pulg. a 3-1/2 pulg.) de largo, de 0,28 a 0,33 cm (0,113 pulg. a 0,131 pulg.) de diámetro de espiga, y de 31° a 34°.

CARGADOR — La parte de la clavadora en que se mantienen los sujetadores.

PRESIÓN DE AIRE MÁXIMA — La presión máxima de aire comprimido permisible, según lo especificado por el fabricante, para el funcionamiento de la herramienta.

PUNTA ANTIRRAYONES PARA PLATAFORMAS — La punta antirrayones para plataformas está diseñada para eliminar las marcas causadas por el elemento de contacto de trabajo (WCE) serrado. La punta antirrayones puede quitarse y amarrarse a la herramienta si no es necesaria (vea DESINSTALACIÓN DE LA PUNTA ANTIRRAYONES PARA PLATAFORMAS) o cuando prefiera un avellanado levemente más profundo. Simplemente deslice la punta antirrayones y quítela del WCE y ajústela al retén en el cargador. Use la herramienta en el modo de ciclo único (VEA MODOS DE FUNCIONAMIENTO) cuando la punta antirrayones está instalada (vea la Figura 5).

BAR/PSI (LIBRAS POR PULGADA CUADRADA) — Unidades de medida de la presión ejercida por la fuerza del aire. La salida real en bar/psi se mide con un manómetro en el compresor.

ACOPLADOR RÁPIDO — Un acoplador rápido está diseñado para trabajar en combinación con un conector rápido para unir rápida y fácilmente una herramienta neumática con una manguera de aire (Ver Figura 3).

CONECTOR RÁPIDO — Un conector rápido está diseñado para trabajar en combinación con un acoplador rápido para unir rápida y fácilmente una herramienta neumática con una manguera de aire (Ver Figura 4).

REGULADOR — Un dispositivo usado para controlar la presión del aire que pasa a una herramienta neumática

PEGAMENTO FIJADOR DE ROSCAS — Un pegamento para fijar que se aplica a las roscas de los tornillos antes de instalarlos. Evita que los tornillos se aflojen durante el funcionamiento de la herramienta.

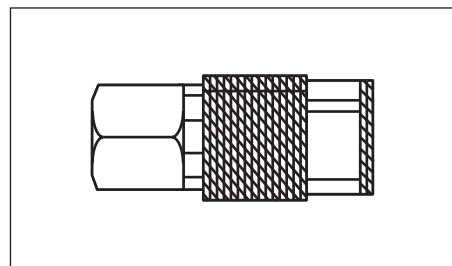


Figure 3 - Acoplador rápido

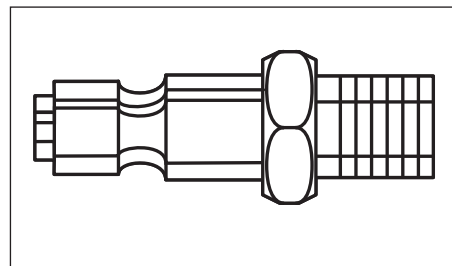
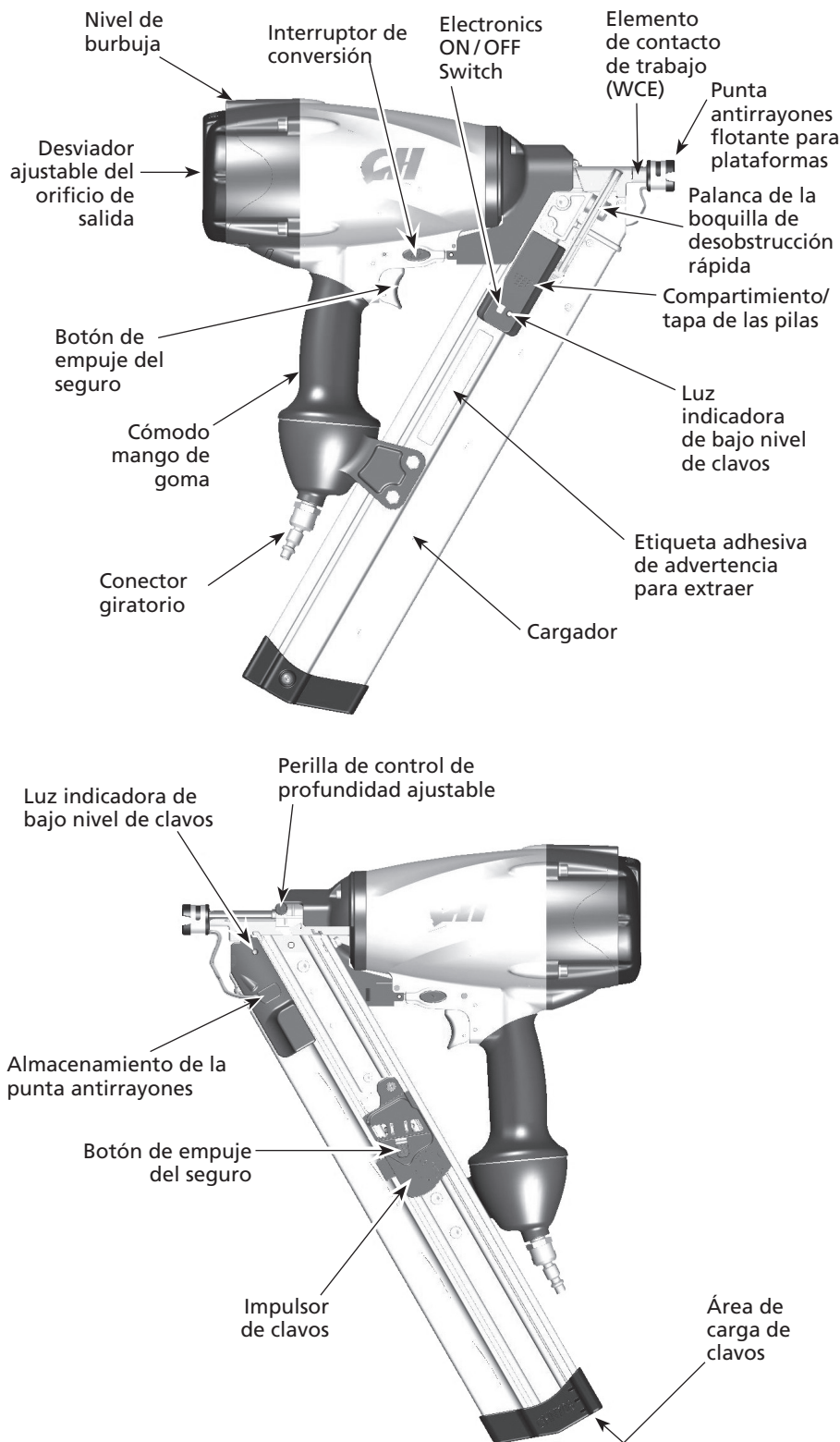


Figure 4 - Conector rápido



Figura 5

Conozca su clavadora para estructuras como un profesional



Características

ANTI DISPARO SIN CARGA

Esta herramienta está equipada con una característica de anti disparo sin carga. Esto evita que se presione el elemento de contacto de trabajo (WCE) cuando sólo queden pocos clavos. Simplemente cargue nuevos clavos a continuación de los que quedan, para continuar disparando.

PUNTA ANTIRRAYONES FLOTANTE PARA PLATAFORMAS

La herramienta tiene una punta antirrayones que está unida a la herramienta para evitar su pérdida cuando no está instalada en la herramienta. Para utilizar la punta antirrayones, simplemente deslícela sobre el WCE de la herramienta.

LUCES INDICADORAS DE BAJO NIVEL DE CLAVOS

La herramienta está equipada con luces a ambos lados cerca de la boquilla. Cuando la cantidad de clavos es baja, las luces se vuelven amarillas. Cuando casi no queden clavos, se pondrá en marcha la función anti disparo sin carga y la luz se pondrá roja. (ver la sección Para cargar la clavadora).

NIVEL DE BURBUJA

La herramienta está equipada con un nivel de burbuja ubicado en la parte superior de la herramienta. Esto lo ayudará a alinear la herramienta para nivelar el clavado de los sujetadores. El nivel de burbuja lo ayudará en el posicionamiento vertical y horizontal de la herramienta.

Figura 6 – Componentes de la clavadora para estructuras

Configuración

LUBRICACIÓN

Esta clavadora **no** requiere lubricación para su funcionamiento normal. Sin embargo, la lubricación **no** dañará la herramienta.

AVISO

La superficie de trabajo puede dañarse por exceso de lubricación.

COMPONENTES MÍNIMOS NECESARIOS PARA LA CONEXIÓN

COMPRESOR DE AIRE: El compresor de aire debe ser capaz de mantener un mínimo de 4,1 bar (70 psi) cuando se usa la clavadora. Un suministro de aire inadecuado puede causar una pérdida de potencia y una colocación desigual de los sujetadores (ver Tabla 1).

REGULADOR DE PRESIÓN: Es necesario un regulador de presión para controlar la presión de funcionamiento de la clavadora entre 4,8 bar y 8,3 bar (70 psi y 120 psi).

MANGUERA DE SUMINISTRO DE AIRE: Use siempre mangueras de suministro de aire con una clasificación de presión mínima de funcionamiento igual o mayor que la presión de la fuente de energía, o 10,3 bar (150 psi), lo que sea mayor. Use una manguera de aire de 9,5 mm (3/8 pulg.) para alargues de hasta 15 m (50 pies). Use mangueras de 12,7 mm (1/2 pulg.) para alargues de 15 m (50 pies) o mayores (ver Figura 7 y Tabla 2).

INSTRUCCIONES PARA LA CONEXIÓN DE LA CLAVADORA AL SUMINISTRO DE AIRE

La Figura 8 muestra la conexión recomendada para la clavadora.

NOTA: Para un mejor desempeño, instale un conector rápido de 0,95 cm (3/8 pulg.) (roscas de 0,64 cm [1/4 pulg.] NPT) con un diámetro interno de 8 mm (0,315 pulg.) en la clavadora y un acoplador rápido de 0,95 cm (3/8 pulg.) en la manguera de aire.

1. Con el interruptor de accionamiento en la posición de apagado, enchufe el compresor en el tomacorriente.
2. Cierre el regulador de presión girándolo totalmente hacia la izquierda. Encienda el compresor y deje que bombee hasta alcanzar la presión en que se apaga automáticamente.
3. Conecte la manguera de aire a la salida del regulador. Ajuste el regulador de presión girándolo hacia la derecha para que la presión de salida sea entre 4,8 bar y 6,2 bar (70 psi y 120 psi).
4. Cargue los sujetadores en la clavadora (Vea la sección Para cargar y descargar la clavadora en la página 51).
5. Apunte la clavadora hacia una dirección segura mientras coloca la manguera de aire.
6. La clavadora está lista para usar. Puede ser necesario ajustar la presión de salida para lograr una profundidad de sujetador adecuada.


	4,83 bar Min.
	8,27 bar Max.

Tabla 1

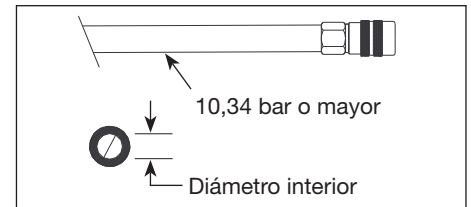


Figure 7 - Requerimientos para la manguera de aire

REQUERIMIENTOS PARA LA MANGUERA DE AIRE	
DIÁMETRO	LARGO DEL RECORRIDO
9,5 mm (3/8 inch)	Menos de 15,2 m (50 pies)
12,7 mm (1/2 inch)	Mayor o igual a 15,2 m (50 pies)

Tabla 2

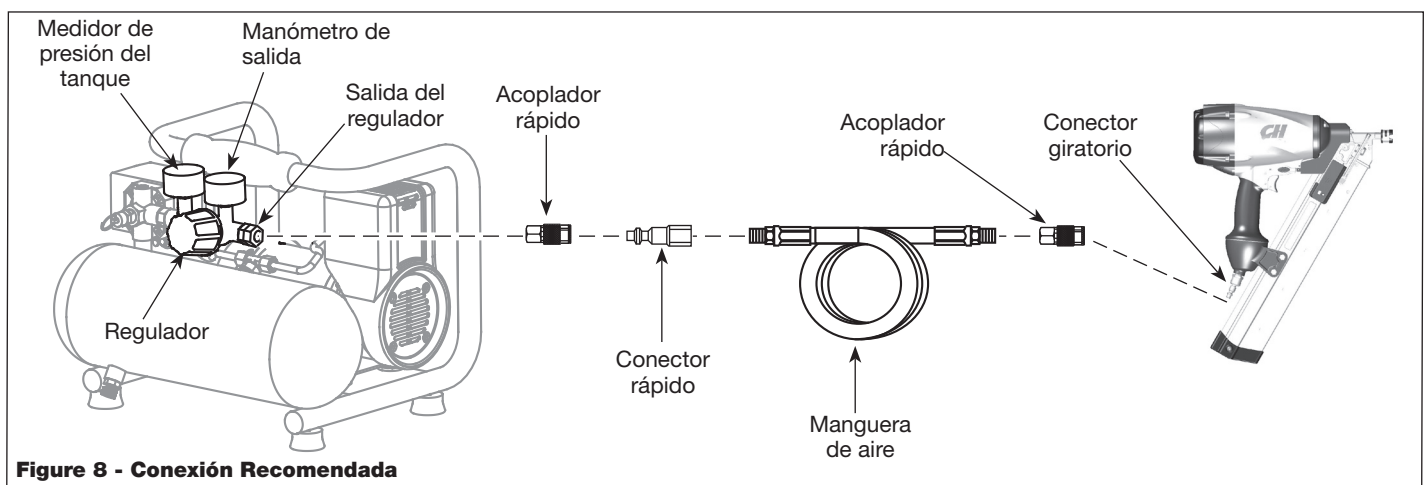


Figure 8 - Conexión Recomendada

Configuración (Continuación)

PARA CARGAR Y DESCARGAR LA CLAVADORA

Siempre **desconecte** la herramienta del suministro de aire **antes** de cargar o descargar los sujetadores. Elija qué tipo de sujetador desea usar para su proyecto. Puede encontrar sujetadores adicionales en grandes tiendas para el hogar.

Cómo cargar la herramienta

1. Cargue las tiras de sujetadores en la ranura en la parte trasera del cargador. Asegúrese de que los clavos se colocan en la herramienta en la orientación adecuada.
2. Presione el botón de derivación y pase el mecanismo impulsor sobre los clavos. Libere el mecanismo impulsor.
3. **Vuelva a conectar** la herramienta al suministro de aire.

Para descargar la herramienta

1. Siempre descargue todos los sujetadores antes de sacar la herramienta del servicio.
2. Tire del mecanismo impulsor en dirección opuesta a los clavos. Presione el botón de derivación y deje que el mecanismo impulsor pase sobre los clavos restantes.
3. Sostenga la herramienta en posición vertical para que los clavos se deslicen hacia atrás en dirección a la ranura del cargador.
4. Quite los clavos.

AJUSTE DE LA PENETRACIÓN DEL CLAVO

La CHN70899 está equipada con un accesorio de impulsión de profundidad ajustable. Esto permite al usuario determinar qué tan profundo será clavado el sujetador en la superficie de trabajo.

1. Ajuster la pression de service à une pression qui entraînera les attaches de manière constante. Ne pas dépasser la pression maximale de service de 827 kPa (120 lb/po²).
2. Sortir la goupille rouge. Tourner la pointe de contact (PC) d'un quart de tour comme indiqué. Dégager la goupille rouge. Voir la figure 10.
3. Déplacer la PC d'avant en arrière dans la mesure voulue. Déplacer la PC vers l'outil pour augmenter la profondeur du clou. Déplacer la PC en l'éloignant de l'outil pour réduire la profondeur du clou. Voir la figure 11.
4. Tourner la PC d'un quart de tour à sa position originale comme indiqué. Voir la figure 12.
5. S'assurer que la gâchette et que la PC se déplacent librement vers le haut et vers le bas sans grippage ou collage après chaque ajustement.

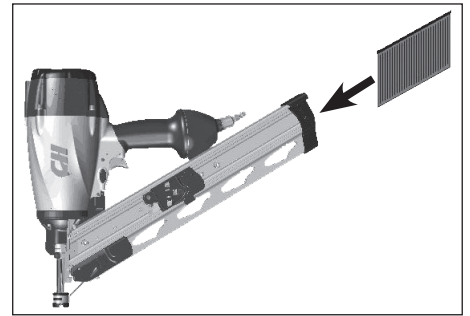


Figura 9 - Cómo cargar la clavadora

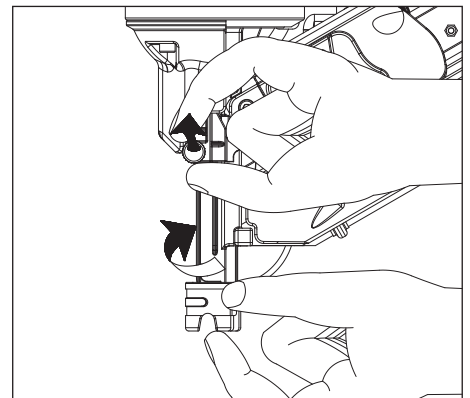


Figura 10 - Ajuste de la profundidad del clavo

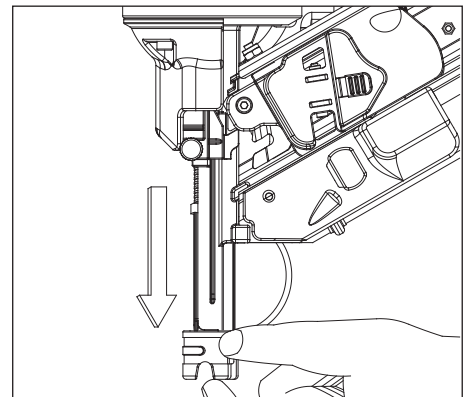


Figura 11 - Ajuste de la profundidad del clavo

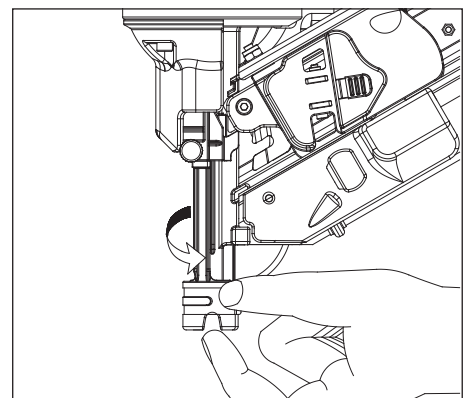


Figura 12 - Ajuste de la profundidad del clavo

Installation (suite)

AJUSTE DE LA DIRECCIÓN DEL ORIFICIO DE SALIDA

La CHN70899 está equipada con un deflector del orificio de salida de dirección ajustable. Esto está diseñado para que el usuario pueda cambiar la dirección del orificio de salida. Simplemente gire el deflector en la dirección deseada.

INSTALACIÓN DE LA PUNTA ANTIRRAYONES

1. Desconecte el suministro de aire de la clavadora.
2. Quite la punta antirrayones de la barra de almacenamiento.
3. Quite el anillo de retención de la punta antirrayones.
4. Coloque con cuidado la punta antirrayones sobre el extremo del elemento de contacto de trabajo. Coloque la punta sobre el WCE asegurándose de que las ranuras serradas de cada pieza estén alineadas y calcen bien entre sí.
5. Coloque el anillo de retención y la punta antirrayones y presiónelos con firmeza en su lugar.
6. Verifique que el WCE y el gatillo se muevan libremente hacia arriba y hacia abajo sin adherirse ni trabarse.

DESINSTALACIÓN DE LA PUNTA ANTIRRAYONES

1. Desconecte el suministro de aire de la clavadora.
2. Quite el anillo de retención de la punta antirrayones.
3. Haciendo palanca separe la punta antirrayones del elemento de contacto de trabajo.
4. Vuelva a colocar el anillo de retención sobre la punta antirrayones, luego guarde la punta en la barra de almacenamiento para usarla en el futuro.

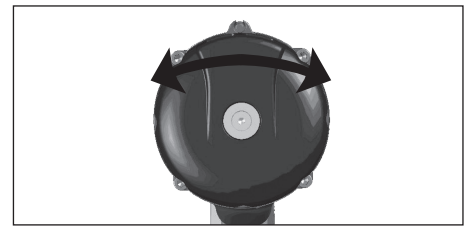


Figura 13 - Ajuste del orificio de salida

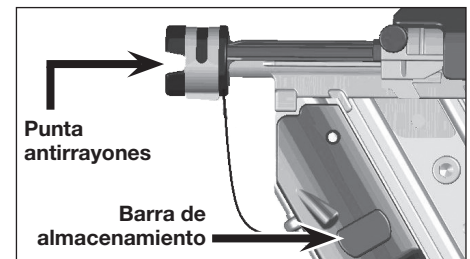


Figura 14 - Punta antirrayones

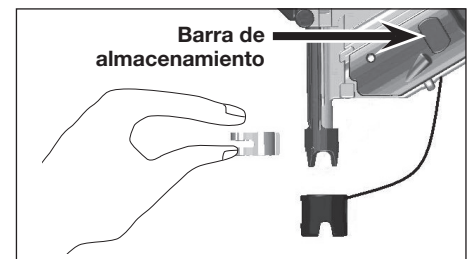


Figura 15 - Desinstale la punta antirrayones

Pre-Funcionamiento

MODOS DE FUNCIONAMIENTO

⚠ ADVERTENCIA

Siempre conozca el modo de operación de la clavadora antes de usarla. No saber el modo de operación podría ocasionar la muerte o lesiones graves.

Esta clavadora puede ser operada en el modo de "secuencia" (como viene de fábrica) o en modo de "contacto". La herramienta puede convertirse de un modo a otro presionando firmemente el interruptor de conversión de una posición a la otra.

Presione el lado "↶" del interruptor de conversión para activar el modo en secuencia.

Presione el lado "↷" del interruptor de conversión para activar el modo de contacto.

Presione cualquiera de los lados hasta la posición media para activar el modo de bloqueo de seguridad.

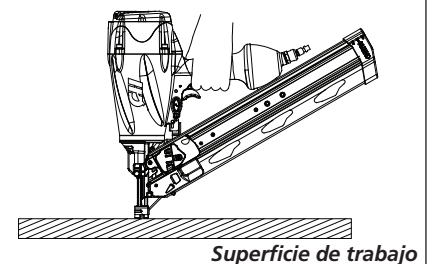
Modo de secuencia

Se recomienda este método cuando se necesite una colocación precisa de los clavos. El funcionamiento en este modo requiere que se tire del gatillo cada vez que se coloca un clavo. La clavadora puede ser activada al presionar el elemento de contacto de trabajo (WCE) contra la superficie de trabajo y tirando luego del gatillo.

El gatillo debe soltarse luego de que se coloca cada sujetador para permitir que la herramienta se reajuste.

Como la herramienta sólo puede activarse retirando primero el dedo del gatillo, éste se considera un modo más restrictivo para el funcionamiento, apto para usuarios con menos experiencia.

Presione el WCE primero....



Luego tire del gatillo.

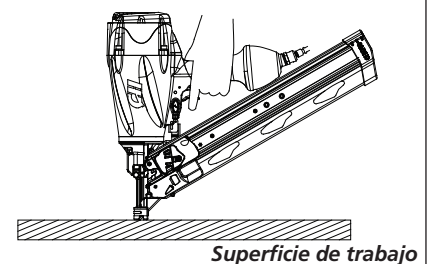


Figura 16 - Modo de secuencia

Pre-Funcionamiento (continuación)

Modo de contacto

Se recomienda este método cuando se necesite una colocación menos precisa de los clavos. El funcionamiento de este modo requiere que el gatillo se presione con la clavadora fuera de la superficie de trabajo. Luego, la boquilla de la clavadora se golpea suavemente contra la superficie de trabajo y se coloca un clavo.

Cada vez que se presiona el elemento de contacto de trabajo, se coloca un clavo en la superficie de trabajo. Debe tenerse extremo cuidado debido a que se colocará un clavo cuando se presione el WCE contra cualquier superficie.

Como la herramienta puede activarse sin retirar el dedo del gatillo, éste se considera un modo menos restrictivo, adecuado para usuarios con más experiencia.

Modo de bloqueo de seguridad

Cuando el interruptor de conversión se presiona a la posición media, el gatillo está en el modo de bloqueo de seguridad. Ninguna combinación de la activación del WCE y el gatillo permitirá que la herramienta funcione en ciclo o dispare. Si la herramienta funciona en el modo de bloqueo de seguridad, póngase en contacto con Campbell Hausfeld para obtener soporte técnico, y no use la clavadora hasta que haya sido reparada.

ELEMENTO DE CONTACTO DE TRABAJO (WCE)

⚠ PRECAUCION Verifique el funcionamiento del mecanismo de disparo del elemento de contacto de trabajo (WCE) antes de cada uso. El WCE debe moverse libremente sin trancarse en toda su distancia de recorrido. El resorte del WCE debe regresar al WCE a su posición completamente extendida una vez que haya sido presionado. No ponga la clavadora en funcionamiento si el mecanismo de recorrido del WCE no está funcionando de forma adecuada. Pueden ocurrir lesiones personales.

1. Desconecte el suministro de aire de la clavadora.
 2. Asegúrese de que el gatillo y el elemento de contacto de trabajo (WCE) se muevan libremente hacia arriba y hacia abajo sin adherirse ni trabarse.
- NOTA:** si la herramienta no está cargada de clavos, la característica del mecanismo contra disparos vacíos no permitirá que se presione el WCE.
3. Vuelva a conectar el suministro de aire a la clavadora.
 4. Use un trozo de madera de desecho como superficie de trabajo.
 5. Presione el WCE contra la superficie de trabajo sin tirar del gatillo (ver Figura 18). La clavadora **NO DEBE FUNCIONAR**. No use la herramienta si funciona sin que tire del gatillo. Pueden ocurrir lesiones personales.
 6. Quite la clavadora de la superficie de trabajo. El WCE debe volver a su posición original hacia abajo. Tire del gatillo (ver Figura 19). La clavadora **NO DEBE FUNCIONAR**. No use la herramienta si funciona mientras no está apoyada sobre la superficie de trabajo. Pueden ocurrir lesiones personales.
 7. Tire del gatillo y presione el WCE de la superficie de trabajo. La clavadora **DEBE FUNCIONAR** cuando está en modo de contacto. La clavadora **NO DEBE FUNCIONAR** si está en modo de secuencia.
 8. Presione el WCE contra la superficie de trabajo. Tire del gatillo. La clavadora **DEBE FUNCIONAR**.
 9. Cambie la clavadora al otro modo tal como se describe en la sección de Modos de funcion3 y repita.

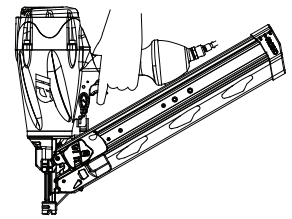
IMPORTANTE: repita los pasos del uno al nueve con la herramienta en el modo de bloqueo de seguridad. La herramienta **NO DEBE** funcionar en ninguno de los pasos. Si la herramienta funciona en el modo de bloqueo de seguridad, póngase en contacto con Campbell Hausfeld para obtener soporte técnico.

INTERRUPTOR DE ON/OFF (ENCENDIDO/APAGADO) PARA FUNCIONES ELECTRÓNICAS

En el compartimiento de las pilas se encuentra ubicado un interruptor de encendido/apagado para las funciones electrónicas de la herramienta y las luces LED indicadoras de bajo nivel de clavos (ver Figura 18).

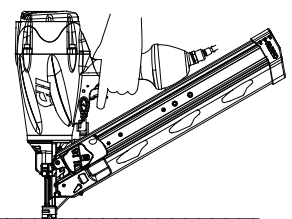
Para utilizar la función, coloque el interruptor de las pilas en la posición "ON" (encendido). Para evitar el agotamiento no deseado de las baterías durante el almacenamiento, coloque el interruptor en la posición "OFF" (apagado).

Tire del gatillo primero...



Superficie de trabajo

Después oprima totalmente el WCE.



Superficie de trabajo

Figura 17 - Modo de contacto

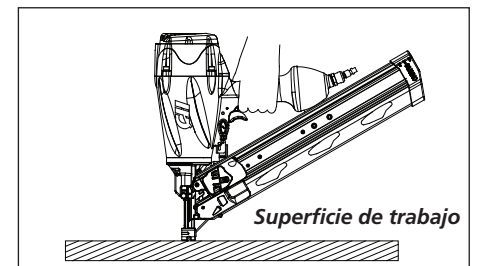


Figura 18

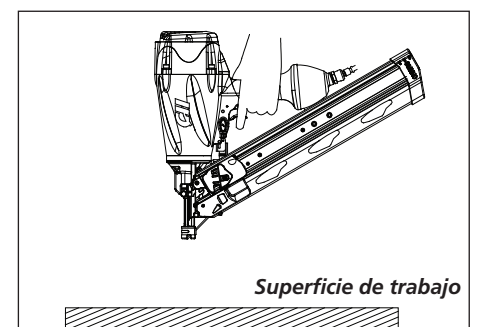


Figura 19

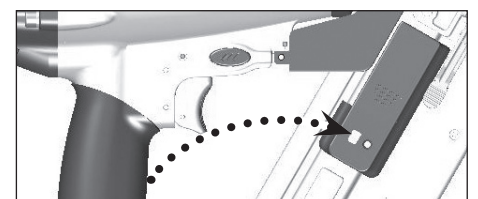


Figura 20 - Interruptor de ON/OFF (encendido/apagado) para funciones electrónicas

Funcionamiento

DISPARO DE LA CLAVADORA

1. Cargue los sujetadores (ver la sección Para cargar y descargar la clavadora).
2. Conecte el suministro de aire a la clavadora.

⚠ ADVERTENCIA *Una herramienta que funciona de manera inadecuada no debe usarse. No active la herramienta a menos que esté colocada firmemente contra la pieza de trabajo.*

En modo de secuencia

Presione el lado “” del interruptor de conversión para activar el modo en secuencia.

1. Oprima totalmente el WCE.
2. Apriete el gatillo Se clavará un sujetador en la pieza de trabajo.

En el modo de contacto

Presione el lado “” del interruptor de conversión para activar el modo de contacto.

1. Quite la herramienta de la superficie de trabajo. **NO** apunte la herramienta hacia usted ni hacia otros.
2. Apriete el gatillo
3. Presione firmemente el elemento de contacto de trabajo (WCE) contra la superficie de trabajo. La herramienta funcionará en ciclo.
4. Quite la herramienta de la superficie de trabajo. Mueva la herramienta a la siguiente área en que se clavará el sujetador y repita.

LUCES INDICADORAS DE BAJO NIVEL DE CLAVOS

La herramienta está equipada con luces a ambos lados cerca de la boquilla. Coloque el interruptor de las funciones electrónicas en la posición de encendido. Cuando la cantidad de clavos que quedan en el cargador sea aproximadamente 10, las luces se prenderán de color amarillo. Puede recargar en cualquier momento (ver la sección Cómo cargar la clavadora). Cuando la cantidad de clavos sea aproximadamente 5, se activará la función anti disparo sin carga y la luz se pondrá roja. En este momento debe recargar.

NIVEL DE BURBUJA

La herramienta está equipada con un nivel de burbuja ubicado en la parte superior de la herramienta. Cuando la pistola está en una orientación de clavado horizontal, puede observarse y controlarse fácilmente la condición de nivelado simplemente alineando la herramienta de modo de que la burbuja esté entre las marcas del centro a lo largo del nivel. Se da la misma situación cuando está en una orientación de colocación vertical, alineando la herramienta para que la burbuja esté centrada en la marca circular que se encuentra en la parte superior del nivel.

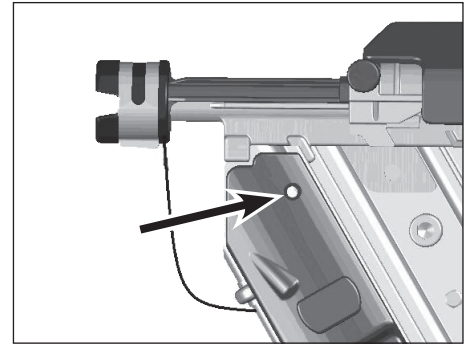


Figura 21 - Luces indicadoras de bajo nivel de clavos



Figura 22 - Nivel de burbuja

Almacenamiento

La clavadora debe guardarse en un lugar fresco y seco.

Mantenimiento

COMO DESOBRUIR LA CLAVADORA

1. Desconecte la clavadora del suministro de aire.
2. Quite todos los clavos del cargador (*ver Carga/Descarga*).
3. Presione hacia abajo la palanca de la boquilla de liberación rápida para destrabar la porción del tambor de la boquilla (Ver Figura 23).
4. Si fuera necesario, use herramientas manuales pequeñas para ayudar a liberar los clavos atascados. A veces es necesario usar un martillo y un destornillador fino y largo para forzar el vástago del impulsor totalmente dentro de la pistola (Vea Figura 24).
5. Tire los clavos atascados hacia afuera.
6. Suelte la palanca de la boquilla de liberación rápida.
7. El impulsor de los clavos debe estar trabado en la posición trasera.
8. Desconecte el suministro de aire y vuelva a cargar (*Ver la sección Cómo cargar la herramienta*).

REPARACIÓN DE LA CLAVADORA

La herramienta debe ser reparada únicamente por personal calificado, y se deben usar piezas de repuesto y accesorios originales Campbell Hausfeld, o piezas y accesorios que funcionen de manera equivalente.

PIEZAS DE REPUESTO

⚠ ADVERTENCIA

Use únicamente piezas de repuesto Campbell Hausfeld originales.

El desempeño de las herramientas, la seguridad y la duración pueden disminuir si no se utilizan las piezas adecuadas. Cuando ordene piezas de repuesto, especifique por el número de la pieza.

REEMPLAZO DE LAS PILAS

⚠ ADVERTENCIA

Desconecte siempre la herramienta de la fuente de energía cuando no la esté atendiendo, cuando le esté realizando mantenimiento o reparaciones, desobstruyéndola, cargándola, descargándola o moviéndola a un nuevo sitio.

Las funciones electrónicas de la herramienta (luces indicadoras de bajo nivel de clavos) funcionan con 2 (dos) pilas AAA ubicadas en el compartimiento que se encuentra en la parte posterior del cargador. Cuando esté bajo el nivel de energía de las pilas y deban ser reemplazadas, las funciones electrónicas pueden no funcionar nada bien. Desconecte la herramienta de la fuente de aire. Quite el tornillo y la tapa del compartimiento de las pilas. Introduzca 2 (dos) pilas nuevas con la orientación correcta. No mezcle pilas viejas con nuevas. Cierre la tapa. Cambie el tornillo.

PROCEDIMIENTO DE ENSAMBLAJE PARA LOS SELLOS

Cuando repare una clavadora, las piezas internas deben limpiarse y lubricarse. Debe usarse lubricante Parker O-lube o un equivalente en todos los anillos en O. Cada anillo en O debe ser cubierto con lubricante antes de ensamblar la herramienta. Debe utilizarse una pequeña cantidad de aceite en todas las superficies móviles y pivotes. Después del reensamblado se deben agregar unas pocas gotas de aceite no detergente 30W o uno equivalente, a través de la línea de aire una vez antes de usar para un funcionamiento normal.

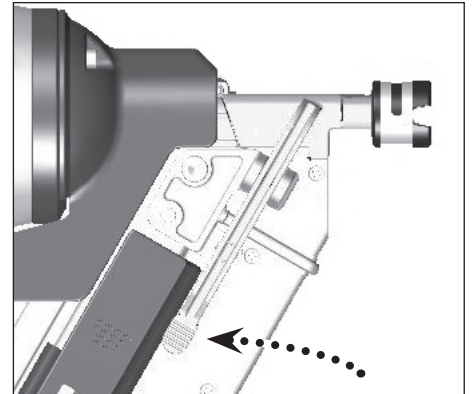


Figura 23 - Palanca de la boquilla de desobstrucción rápida

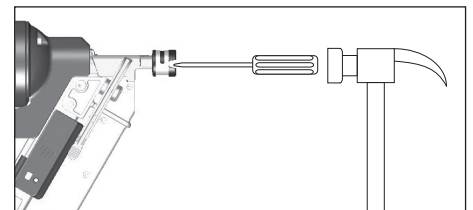


Figura 24

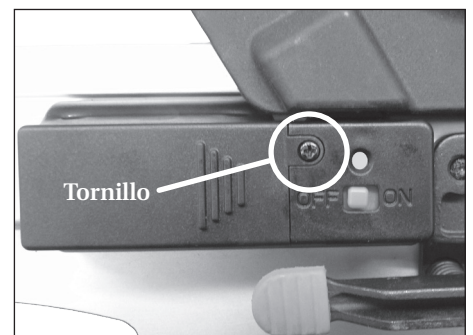


Figura 25 - Reemplazo de las pilas

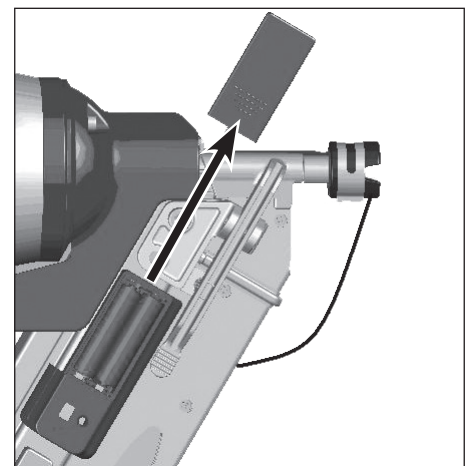


Figura 26 - Reemplazo de las pilas

Mantenimiento (continuación)

SERVICIO TÉCNICO

Para obtener información con relación al funcionamiento o reparación de este producto, sírvase llamar al 1-800-543-6400.

INFORMACIÓN DE INTERCAMBIO DE SUJETADORES

Los sujetadores usados en la Clavadora para estructuras CHN70899 de Campbell Hausfeld también funcionan en las siguientes unidades de marca:

- DeWalt D51822 and D51823
- Hitachi NR83AA2
- Paslode F-3505
- Porter Cable FC 350A
- Ridgid R350CHA
- Senco FramePro 701XP and 751XP

Guía de resolución de problemas

⚠ ADVERTENCIA

Deje de usar la clavadora inmediatamente si alguno de los siguientes problemas ocurre. Podría resultar en heridas graves. Cualquier reparación o reemplazo de piezas los debe hacer un técnico calificado personal de un centro autorizado de servicio.

PROBLEMA	CAUSA	SOLUCIÓN
Pérdida de aire en la válvula del gatillo	Los anillos en O de la caja de la válvula del gatillo están dañados	Cambie los anillos en O. Verifique el funcionamiento del elemento de contacto de trabajo (WCE)
Pérdida de aire entre la caja y la boquilla	<ol style="list-style-type: none"> Anillos en O y/o sellos dañados Daño en el tope 	<ol style="list-style-type: none"> Cambie los anillos en O y/o sellos Cambie el tope
Pérdida de aire entre la caja y la tapa	<ol style="list-style-type: none"> Tornillos sueltos Junta dañada 	<ol style="list-style-type: none"> Apriete los tornillos Cambie la junta
La clavadora saltea la colocación de un clavo	<ol style="list-style-type: none"> Tope gastado Suciedad en la pieza de la boquilla La suciedad o los daños evitan que los clavos o el mecanismo de impulso se muevan libremente en el cargador Resorte de empuje dañado Flujo de aire a la clavadora inadecuado Anillo en O gastado en el pistón o falta de lubricación Anillo en O de la válvula del gatillo dañado Pérdidas de aire 	<ol style="list-style-type: none"> Cambie el tope Limpie el canal de colocación Limpie el cargador Cambie el resorte Compruebe las conexiones, la manguera, o el compresor Cambie los sellos del pistón Cambie los anillos en O Ajuste los tornillos y las conexiones
La clavadora funciona lento o pierde potencia	<ol style="list-style-type: none"> La clavadora no está lo suficientemente lubricada Resorte roto en la tapa del cilindro El orificio de salida de la tapa está obstruido 	<ol style="list-style-type: none"> Lubrique la clavadora Cambie el resorte Reemplace las piezas internas dañadas
Los clavos están atascados en la clavadora	<ol style="list-style-type: none"> La guía del accionador está gastada Los clavos no son del tipo correcto Los clavos están doblados Los tornillos del cargador o la boquilla están sueltos El accionador está dañado Los clavos fueron cargados de forma incorrecta. 	<ol style="list-style-type: none"> Cambie la guía Sólo use clavos recomendados Reemplace con clavos en buen estado Apriete los tornillos Cambie el accionador Consulte la sección Carga/Descarga del manual
Los indicadores de bajo nivel de clavos no funcionan	<ol style="list-style-type: none"> El interruptor del sistema no está encendido Deben reemplazarse las pilas Los componentes no fueron colocados de forma correcta cuando se volvió a armar luego del mantenimiento realizado por el cliente 	<ol style="list-style-type: none"> Encienda el interruptor Cambie las pilas (ver la sección ¿Cómo cambiar las pilas?) Consulte la sección de las piezas para obtener asistencia en el rearmado correcto

Para Ordenar Repuestos o Asistencia Técnica, Sírvese Llamar al Distribuidor Más Cercano a Su Domicilio

Sírvese proporcionar la siguiente información:

- Número de modelo
- Número de serie (si tiene)
- Descripción y número de la pieza como se muestra en la lista de repuestos

Dirija toda la correspondencia a:

Campbell Hausfeld
Attn: Customer Service
100 Production Drive
Harrison, OH 45030 U.S.A.

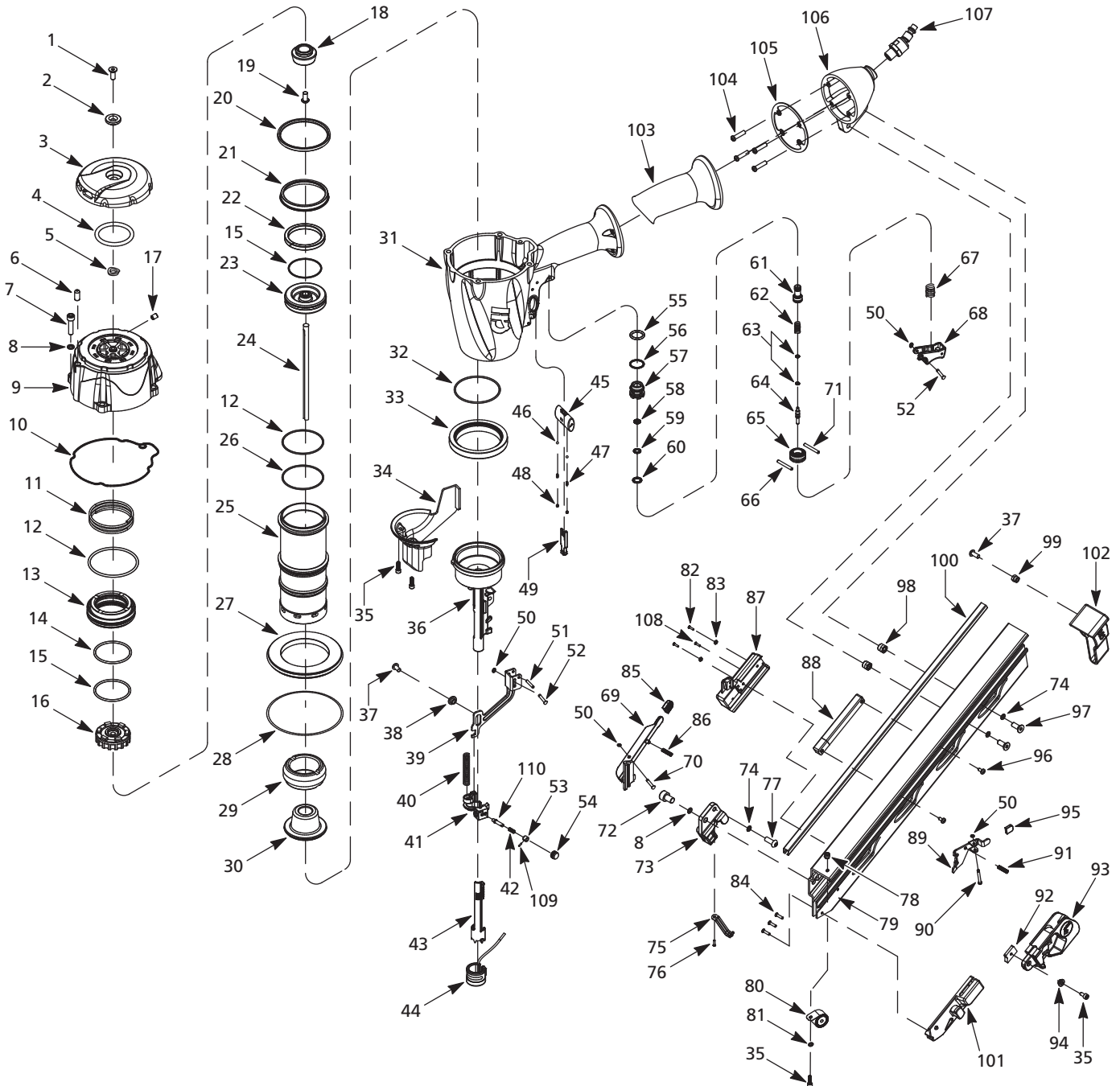


Figura 25 - Ilustración de las piezas de repuesto para la Clavadora para Estructuras, modelo CHN70899AV

Lista de piezas de repuesto para la clavadora para estructuras

No. de Ref.	Descripción	Número de Repuesto	Ctd.	No. de Ref.	Descripción	Número de Repuesto	Ctd.
1	Tornillo de sombrerete de cabeza de casquillo - M6 x 20	*	1	66	Pasador del resorte	○	1
2	Casquillo	—	1	67	Resorte	◇	1
3	Tapa del escape	—	1	68	Ensamblaje del gatillo	◇	1
4	Sello	■	1	69	Puerta de la boquilla de desobstrucción rápida (QCN)	—	1
5	Arandela	■	1	70	Pasador del resorte	—	1
6	Nivel de burbuja	▲	1	71	Pasador del resorte	○	1
7	Tornillo de sombrerete de cabeza de casquillo - M6 x 30	*	4	72	Tornillo de sombrerete de cabeza de casquillo - M6 x 16	—	1
8	Arandela - M6	*	5	73	Soporte para puerta de QCN	—	1
9	Tapa del cilindro	—	1	74	Arandela - M6	*	2
10	Empaque	■ ●	1	75	Sujetador	▽	1
11	Resorte	●	1	76	Tornillo	▽	1
12	Anillo en O	● ● ● ▽	2	77	Tornillo de sombrerete de cabeza de casquillo redonda - M6 x 10	*	1
13	Válvula	●	1	78	Tuerca - M4	D	1
14	Anillo en O	■ ●	1	79	Cargador	—	1
15	Anillo en O	■ ● ◆	2	80	Resorte espiral	D	1
16	Asiento de la válvula	●	1	81	Arandela - M4	D	1
17	Tornillo de fijación - M6 x 8	*	1	82	Tornillo - M2.5 x 6	▽	2
18	Tope	●	1	83	Tuerca - M4	▽	2
19	Tornillo de sombrerete de cabeza de casquillo redonda - M6 x 12	●	1	84	Tornillo - M3 x 10	▽	3
20	Collar	■ ●	1	85	Manga	—	1
21	Sello del cilindro	■ ●	1	86	Resorte	—	1
22	Aro del pistón	■ ◆	1	87	Compartimento de la batería	▽	1
23	Pistón	◆	1	88	Etiqueta adhesiva de retroceso en caja	⊞	1
24	Álabe del impulsor	◆	1	89	Impulsor	D	1
25	Cilindro	—	1	90	Pasador de rodillo	D	1
26	Anillo en O	■ ▽	1	91	Resorte	D	1
27	Anillo limitador	■ ▽	1	92	Placa limitadora del empuje	D	1
28	Anillo en O	▽	1	93	Asiento del impulsor	D	1
29	Tope superior	▽	1	94	Casquillo	D	1
30	Tope inferior	▽	1	95	Manga	D	1
31	Cuerpo	—	1	96	Tornillo - M4 x 8	⊞	2
32	Anillo en O	■	1	97	Tornillo - M6 x 20	*	2
33	Anillo	—	1	98	Tuerca - M6	*	2
34	Cubierta de la boquilla	—	1	99	Tuerca - M5	*	1
35	Tornillo de sombrerete de cabeza de casquillo - M4 x 8	D	4	100	Riel	—	1
36	Boquilla	—	1	101	Compartimento para electrónicos	▽	1
37	Tornillo de sombrerete de cabeza de casquillo redonda - M5 x 12	×	2	102	Tapa del extremo del cargador	—	1
38	Casquillo	×	1	103	Mango	—	1
39	Elemento superior de contacto de trabajo	×	1	104	Tornillo de sombrerete de cabeza de casquillo redonda	—	4
40	Resorte	▷	1	105	Empaque	—	1
41	Casquillo ADC	▷	1	106	Tapa inferior de la entrada	■	1
42	Resorte	▷	1	107	Conector giratorio de 1/4-18 I/M (m)	SV567600AV	1
43	Elemento inferior de contacto de trabajo	▷	1	108	Tornillo - M2 x 6	▽	1
44	Punta antirrayones	△ ▽	1	109	Pasador	▷	1
45	Interruptor del modo del gatillo	□	1	110	Pasador del control de profundidad ajustable (ADC)	▷	1
46	Rodamientos de bolas	□	2	JUEGOS DE PIEZAS DE REPUESTO			
47	Resorte	□	2	▲	Juego de nivel de burbuja (Ctd.: 3)	SKN16800AV	
48	Tornillo de fijación - M4 x 5	□	2	■	Juego de anillo en O completo	SKN16900AV	
49	Actuador	×	1	●	Juego de reparación de la válvula del cabezal	SKN17000AV	
50	Anillo en O de retención	■ × ◇ D	4	◆	Juego de ensamblaje del impulsor	SKN17100AV	
51	Pasador del resorte	×	1	▽	Juego de reparación del cilindro	SKN17200AV	
52	Pasador de rodillo	× ◇	2	×	Juego de WCE	SKN17300AV	
53	Cilindro	▷	1	▷	Juego de reparación del impulsor	SKN17400AV	
54	Cubierta del botón	▷	1	△	Juego de la punta antirrayones (Ctd.: 2)	SKN17500AV	
55	Anillo en O	■ ○	1	□	Juego de interruptor de gatillo de conversión	SKN17600AV	
56	Anillo en O	■ ○	1	○	Juego de reparación de la válvula del gatillo	SKN17700AV	
57	Válvula del gatillo	○	1	◇	Juego de ensamble del gatillo	SKN17800AV	
58	Anillo en O	■ ○	1	▽	Juego de módulo de electrónica (algunas piezas deben soldarse)	SKN26200AV	
59	Anillo en O	■ ○	1	⊞	Juego de etiqueta adhesiva de advertencia	SKN18000AV	
60	Anillo en O	■ ○	1	D	Juego de ensamblaje del impulsor	SKN18100AV	
61	Cuerpo de la válvula superior del gatillo	○	1	—	No disponible		
62	Resorte	○	1	*	Pieza de ferretería estándar, disponible en su ferretería local		
63	Anillo en O	■ ○	2				
64	Vástago de la válvula del gatillo	○	1				
65	Cuerpo de la válvula inferior del gatillo	○	1				

Recordatorio: ¡Guarde su comprobante de compra con fecha para fines de la garantía! Adjúntela a este manual o archívela en lugar seguro.

Garantía Limitada

1. DURACION: A partir de la fecha de compra por el comprador original tal como se especifica a continuación: Un (1) año.
 2. QUIEN OTORGA ESTA GARANTIA (EL GARANTE: Campbell Hausfeld / The Scott Fetzer Company 100 Production Drive, Harrison, Ohio 45030 Teléfono: (800) 543-6400
 3. QUIEN RECIBE ESTA GARANTIA (EL COMPRADOR): El comprador original (que no sea un revendedor) del producto Campbell Hausfeld.
 4. PRODUCTOS CUBIERTOS POR ESTA GARANTIA: Esta clavadora o grapadora Campbell Hausfeld.
 5. COBERTURA DE LA GARANTIA: Defectos importantes en los materiales y la mano de obra que ocurran durante la duración del período de garantía con las excepciones que se mencionan a continuación.
 6. LO QUE NO ESTA CUBIERTO POR ESTA GARANTIA:
 - A. Las garantías implícitas, incluyendo aquellas de comercialidad E IDONEIDAD PARA FINES PARTICULARES, ESTAN LIMITADOS A LO ESPECIFICADO EN EL PARRAFO DE DURACION. Si este producto es empleado para uso comercial, industrial o para renta, la garantía será aplicable por noventa (90) días a partir de la fecha de compra. En algunos estados no se permiten limitaciones a la duración de las garantías implícitas, por lo tanto, en tales casos esta limitación no es aplicable.
 - B. CUALQUIER PERDIDA DAÑO INCIDENTAL, INDIRECTO O CONSECUENTE QUE PUEDA RESULTAR DE UN DEFECTO, FALLA O MALFUNCIONAMIENTO DEL PRODUCTO CAMPBELL HAUSFELD. En algunos estados no se permite la exclusión o limitación de daños incidentales o consecuentes, por lo tanto, en tales casos esta limitación o exclusión no es aplicable.
 - C. Cualquier falla que resulte de un accidente, abuso, negligencia o incumplimiento de las instrucciones de funcionamiento y uso indicadas en el (los) manual(es) que se adjunta(n) al producto. Dichos accidentes, abusos por parte del comprador, o falta de operar el producto siguiendo las instrucciones del manual de instrucciones suministrado también debe incluir la desconexión o modificación de los instrumentos de seguridad. Si dichos instrumentos de seguridad son desconectados, la garantía quedaría cancelada.
 - D. Los ajustes normales explicados en el(los) manual(es) suministrado(s) con el producto.
 - E. Los artículos o servicios que son necesarios normalmente para mantener el producto, p. ej. anillos en O, resortes, paragolpes, protector contra escombros, hojas de impulsión, baterías, juntas, empaquetaduras o sellos, lubricantes o cualquier otra pieza fungible o no mencionada específicamente. Estos artículos solamente estarán cubiertos durante 90 (noventa) días a partir de la fecha de compra original. Los artículos subrayados están garantizados por defectos en el material y la mano de obra únicamente.
 7. RESPONSABILIDADES DEL GARANTE BAJO ESTA GARANTIA:

Según elija el Garante, la reparación o el reemplazo del producto o los componentes que estén defectuosos, que hayan funcionado en forma inadecuada y/o que no hayan cumplido con su función dentro de la duración del período específico de la garantía.
 8. RESPONSABILIDADES DEL COMPRADOR BAJO ESTA GARANTIA:
 - A. Suministrar prueba fechada de compra y la historia de mantenimiento del producto.
 - B. Entregar o enviar el producto o componente Campbell Hausfeld al Centro de Servicio autorizado Campbell Hausfeld más cercano. Los gastos de flete, de haberlos, deben ser pagados por el comprador.
 - C. Seguir las instrucciones sobre operación y mantenimiento del producto, tal como se indica(n) en el (los) manual(es) del propietario.
 9. CUANDO EFECTUARA EL GARANTE LA REPARACION O REEMPLAZO CUBIERTO BAJO ESTA GARANTIA: La reparación o reemplazo dependerá del flujo normal de trabajo del centro de servicio y de la disponibilidad de repuestos.
- Esta garantía limitada es válida sólo en los EE.UU., Canadá y México y otorga derechos legales específicos. Usted también puede tener otros derechos que varían de un Estado a otro. o de un país a otro.

Free Manuals Download Website

<http://myh66.com>

<http://usermanuals.us>

<http://www.somanuals.com>

<http://www.4manuals.cc>

<http://www.manual-lib.com>

<http://www.404manual.com>

<http://www.luxmanual.com>

<http://aubethermostatmanual.com>

Golf course search by state

<http://golfingnear.com>

Email search by domain

<http://emailbydomain.com>

Auto manuals search

<http://auto.somanuals.com>

TV manuals search

<http://tv.somanuals.com>