

Visit www.carrier.com

Service and Maintenance Instructions For Sizes 070-155, Series 110 and 120

NOTE: Read the entire instruction manual before starting the installation.

TABLE OF CONTENTS

SAFETY CONSIDERATIONS	1
INTRODUCTION	1
ELECTROSTATIC DISCHARGE (ESD) PRECAUTIONS PROCEDURE	2
CARE AND MAINTENANCE	2
Cleaning and/or Replacing Air Filter.....	2
Blower Motor and Wheel.....	3
Cleaning Heat Exchanger	4
Electrical Controls and Wiring.....	5
Wiring Diagrams.....	9
Troubleshooting.....	9

SAFETY CONSIDERATIONS



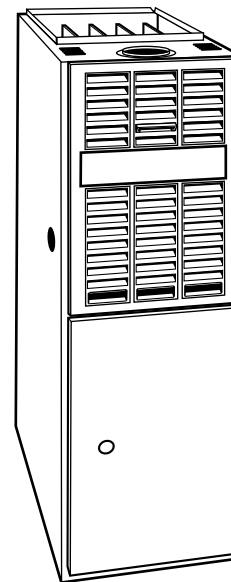
REGISTERED QUALITY SYSTEM

Installing and servicing heating equipment can be hazardous due to gas and electrical components. Only trained and qualified personnel should install, repair, or service heating equipment.

Untrained personnel can perform basic maintenance functions such as cleaning and replacing air filters. All other operations must be performed by trained service personnel. When working on heating equipment, observe precautions in the literature, tags, and labels attached to or shipped with the unit and other safety precautions that may apply.

Follow all safety codes. In the United States, follow all safety codes including the National Fuel Gas Code (NFGC) NFPA No. 54-1999/ANSI Z223.1-1999. In Canada, refer to the current edition of the National Standard of Canada CAN/CGA-B149.1-1 and .2-M95 Natural Gas and Propane Gas Installation Codes (NSCNGPIC). Wear safety glasses and work gloves. Have fire extinguisher available during start-up and adjustment procedures and service calls.

Recognize safety information. This is the safety-alert symbol . When you see this symbol on the furnace and in instructions or manuals, be alert to the potential for personal injury.



A94085

Fig. 1—Model 58YAV Upflow Furnace

Understand these signal words; DANGER, WARNING, and CAUTION. These words are used with the safety-alert symbol. DANGER identifies the most serious hazards which **will** result in severe personal injury or death. WARNING signifies hazards which **could** result in personal injury or death. CAUTION is used to identify unsafe practices which **would** result in minor personal injury or product and property damage. NOTE is used to highlight suggestions which **will** result in enhanced installation, reliability, or operation

WARNING

The ability to properly perform maintenance on this equipment requires certain expertise, mechanical skills, tools, and equipment. If you do not possess these, do not attempt to perform any maintenance on this equipment other than those procedures recommended in the User's Manual. A FAILURE TO FOLLOW THIS WARNING COULD RESULT IN POSSIBLE DAMAGE TO THIS EQUIPMENT, SERIOUS PERSONAL INJURY, OR DEATH.

CAUTION

Label all wires prior to disconnection when servicing controls. Wiring errors can cause improper and dangerous operation.

INTRODUCTION

These procedures are written for size 66,000 through 154,000 Btuh input units of the 58YAV Gas-Fired Induced Combustion Furnace.

Manufacturer reserves the right to discontinue, or change at any time, specifications or designs without notice and without incurring obligations.

ELECTROSTATIC DISCHARGE (ESD) PRECAUTIONS PROCEDURE

⚠ CAUTION

Electrostatic discharge can affect electronic components. Take precautions during furnace installation and servicing to protect the furnace electronic control. Precautions will prevent electrostatic discharges from personnel and hand tools which are held during the procedure. These precautions will help to avoid exposing the control to electrostatic discharge by putting the furnace, the control, and the person at the same electrostatic potential.

1. Disconnect all power to the furnace. **DO NOT TOUCH THE CONTROL OR ANY WIRE CONNECTED TO THE CONTROL PRIOR TO DISCHARGING YOUR BODY'S ELECTROSTATIC CHARGE TO GROUND.**
2. Firmly touch a clean, unpainted, metal surface of the furnace chassis which is close to the control. Tools held in a person's hand during grounding will be satisfactorily discharged.
3. After touching the chassis you may proceed to service the control or connecting wires as long as you do nothing that recharges your body with static electricity (for example; **DO NOT** move or shuffle your feet, **DO NOT** touch ungrounded objects, etc.).
4. If you touch ungrounded objects (recharge your body with static electricity), firmly touch furnace again before touching control or wires.
5. Use this procedure for installed and uninstalled (ungrounded) furnaces.
6. Before removing a new control from its container, discharge your body's electrostatic charge to ground to protect the control from damage. If the control is to be installed in a furnace, follow items 1. through 5. before bringing the control or yourself into contact with the furnace. Put all used **AND** new controls into containers before touching ungrounded objects.
7. An ESD service kit (available from commercial sources) may also be used to prevent ESD damage.

CARE AND MAINTENANCE

For continuing high performance and to minimize possible equipment failure, it is essential that periodic maintenance be performed on this equipment. Consult your local dealer as to proper frequency of maintenance and availability of a maintenance contract.

⚠ WARNING

Never store anything on, near, or in contact with furnace, such as:

1. Spray or aerosol cans, rags, brooms, dust mops, vacuum cleaners, or other cleaning tools.
2. Soap powders, bleaches, waxes or other cleaning compounds, plastic or plastic containers, gasoline, kerosene, cigarette lighter fluid, dry cleaning fluids, or other volatile fluids.
3. Paint thinners and other painting compounds, paper bags or other paper products. A failure to follow this warning could result in corrosion of the heat exchanger, fire, personal injury, or death.

⚠ WARNING

Turn off gas and electrical supplies to unit before performing any maintenance or service on it. Follow operating instructions on label attached to furnace. A failure to follow this warning could result in personal injury.

The minimum maintenance that should be performed on this equipment is as follows:

1. Check and clean air filter each month or more frequently if required. Replace if torn.
2. Check blower motor and wheel for cleanliness each heating and cooling season. Clean as necessary.
3. Check electrical connections for tightness and controls for proper operation each heating season. Service as necessary.

⚠ CAUTION

As with any mechanical equipment, personal injury can result from sharp metal edges, etc.; therefore, be careful when removing parts.

Step 1—Cleaning and/or Replacing Air Filter

The air filter arrangement may vary depending on application.

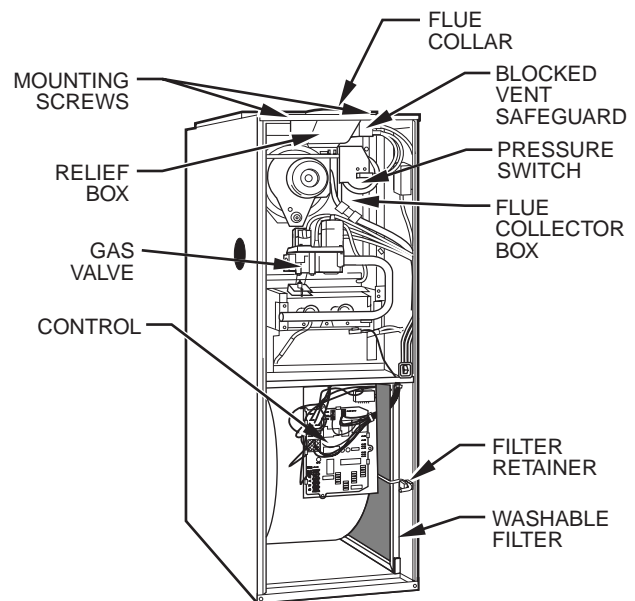
NOTE: If the filter has an airflow direction arrow, the arrow must point toward the blower.

⚠ WARNING

Never operate unit without a filter or with filter access door removed. A failure to follow this warning could result in fire, personal injury, or death.

To clean or replace filters, proceed as follows:

1. Filters installed in media cabinet adjacent to furnace (see Fig. 2)



A99284

Fig. 2—Model 58YAV Upflow Furnace

- a. Turn off electrical supply to furnace
- b. Remove filter cabinet door.
- c. Slide filter out of cabinet.

- d. If equipped with permanent, washable filter, clean filter by spraying cold tap water through filter in opposite direction of airflow. Rinse filter and let dry. Oiling or coating of the filter is not recommended.
 - e. If equipped with factory-specified disposable media filter, replace only with media filter having the same part number and size.
 - f. Slide filter into cabinet.
 - g. Replace filter cabinet door.
 - h. Turn on electrical supply to furnace.
2. Filters installed in side(s) and/or bottom of blower compartment (See Fig. 2)
- a. Disconnect electrical power before removing access doors.
 - b. Remove blower and control access doors.
 - c. Release filter retainer from clip at front of furnace casing. (See Fig. 2.) For side return, clips may be used on either or both sides of the furnace.
 - d. Slide filter(s) out.
 - e. Furnaces are equipped with permanent, washable filters. Clean filters with tap water. Spray water through filter in opposite direction of airflow.
 - f. Rinse and let dry. Oiling or coating of filter is NOT recommended or required.
 - g. Reinstall filter(s)
 - h. Replace blower and control access doors
 - i. Restore electrical power to furnace.

Step 2—Blower Motor and Wheel

The following items should be performed by a qualified service technician:

To ensure long life, economy, and high efficiency, clean accumulated dirt and grease from blower wheel and motor annually.

The inducer and blower motors are prelubricated and require no additional lubrication. These motors can be identified by the absence of oil ports on each end of the motor.

Clean blower motor and wheel as follows:

1. Turn off electrical supply to furnace.
2. Remove control and blower access doors.
3. Disconnect blower leads from furnace control. Notice wire color and location for reassembly.
All other factory wires can be left connected, but field thermostat connections may need to be disconnected depending on their length and routing.
4. Remove 2 screws securing control and transformer support to furnace.
5. Hang control box and transformer support to front of furnace casing.
6. Remove screws holding blower assembly to blower deck and slide blower assembly out of furnace.
7. Clean blower wheel and motor using a vacuum with soft brush attachment. Do not remove or disturb balance weights (clips) on blower wheel blades. The blower wheel should not be dropped or bent as balance will be affected.
8. If a greasy residue is present on blower wheel, remove wheel from the blower housing and wash it with an appropriate degreaser. To remove wheel:
 - a. Mark blower wheel location on shaft before disassembly to ensure proper reassembly.
 - b. Loosen setscrew holding blower wheel on motor shaft.

NOTE: Mark blower mounting arms, motor, and blower housing so motor and each arm is positioned at the same location during reassembly.

- c. Mark blower wheel orientation and cutoff plate location to ensure proper reassembly.
- d. Remove screws securing cutoff plate and remove cutoff plate from housing.
- e. Remove bolts holding motor mounts to blower housing and slide motor and mounts out of housing. Disconnect capacitor and ground wire attached to blower housing before removing motor. Motor mount belly band need not be removed unless motor is to be replaced.
- f. Remove blower wheel from housing.

⚠ CAUTION

The blower wheel should not be dropped or bend as balance will be affected.

9. Reassemble motor and blower by reversing items 9a through 9f. Be sure to reattach ground wire.
10. Reinstall blower assembly in furnace.
11. Reinstall control and transformer support assembly in furnace.
12. Reconnect blower leads to furnace control.
Refer to furnace wiring diagram (See Fig. 6), and connect thermostat leads if previously disconnected.

NOTE: Refer to Table 1 for motor speed lead relocation if leads were not identified before disconnection

TABLE 1—SPEED SELECTOR

COLOR	SPEED	FACTORY-ATTACHED TO
Black	High	Cool
Yellow (When Present)	Medium High	Spare
Blue	Medium Low	Heat
Red	Low	Spare
White	Common	L2/COM

⚠ CAUTION

Heating speed selection MUST be adjusted to provide proper temperature rise as specified on the rating plate. Failure to adjust the heating speed may shorten heat exchanger life.

13. Turn on electrical supply. Manually close blower access door switch. Use a piece of tape to hold switch closed. Check for proper rotation and speed changes between heating and cooling by jumpering R to W and then R to Y on furnace control thermostat terminals.

⚠ WARNING

Blower access door switch opens 115-v power to control center. No component operation can occur. Caution must be taken when manually closing this switch for service purposes. Failure to follow this warning could result in electrical shock, personal injury, or death.

NOTE: If thermostat terminals are jumpered before blower access door switch is closed, blower will run for 90 sec before beginning a heating or cooling cycle.

- If furnace is operating properly, REMOVE TAPE TO RELEASE BLOWER ACCESS DOOR SWITCH, replace blower access door.

Step 3—Cleaning Heat Exchanger

The following steps should be performed by a qualified service technician:

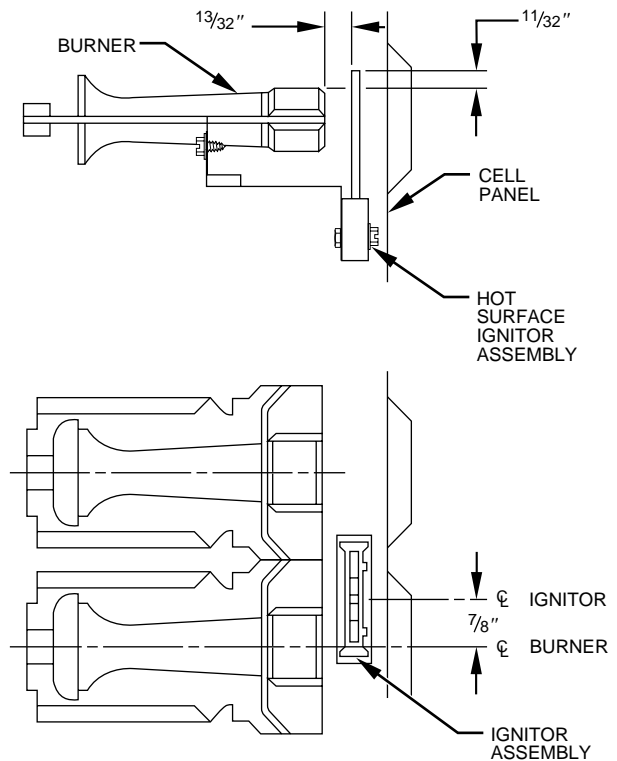
NOTE: If the heat exchangers get a heavy accumulation of soot and carbon, they should be replaced rather than trying to clean them thoroughly due to their intricate design. A build-up of soot and carbon indicates that a problem exists which needs to be corrected, such as improper adjustment of manifold pressure, insufficient or poor quality combustion air, incorrect size, or damaged manifold orifice(s), improper gas, or a restricted heat exchanger. Action must be taken to correct the problem.

If it becomes necessary to clean heat exchanger because of light dust or corrosion proceed as follows:

- Turn gas and electrical power to furnace to OFF.
- Remove control access door.
- Disconnect vent connector from furnace flue collar.
- Remove 2 screws that secure relief box. (See Fig. 2.)
- Disconnect wires to the following components. Mark wires to aid in reconnection of:
 - Blocked vent safeguard switch.
 - Inducer motor.
 - Pressure switch.
 - Limit overtemperature switch(es).
 - Gas valve.
 - Hot surface ignitor.
 - Flame-sensing electrode
 - Flame rollout switch(es), if applicable.
- Remove complete inducer assembly and relief box from furnace.
- Remove 8 screws that secure flue collector box to center panel. Be careful not to damage collector box.
- Remove burner assembly and cell inlet plates. **IMPORTANT:** Replace screws in center panel before cleaning.

NOTE: Be very careful when removing burner assembly to avoid breaking ignitor. See Fig. 3 for correct ignitor location.

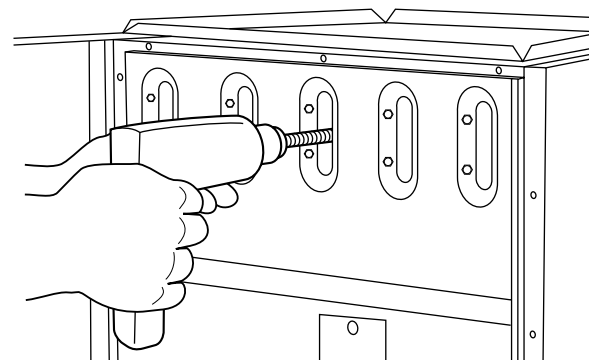
- Using field-provided small wire brush, steel spring cable, reversible electric drill, and vacuum cleaner, clean cells as follows:
 - Assemble wire brush and steel spring cable.
 - Use 48 in. of 1/4-in. diameter high-grade steel spring cable (commonly known as drain clean-out or Roto-Rooter cable).
 - Use 1/4-in. diameter wire brush (commonly known as 25-caliber rifle cleaning brush).
- NOTE:** The materials needed in items (1.) and (2.) can usually be purchased at local hardware stores.
- Insert twisted wire end of brush into end of spring cable, and crimp tight with crimping tool or strike with ball-peen hammer. **TIGHTNESS IS VERY IMPORTANT.**
 - Remove metal screw fitting from wire brush to allow insertion into cable.
- Clean each heat exchanger cell.
 - Attach variable-speed, reversible drill to end of spring cable (end opposite brush).



A93347

Fig. 3—Position of Ignitor to Burner

- Insert brush end of cable into upper opening of cell and slowly rotate with drill. **DO NOT** force cable. Gradually insert at least 36 in. of cable into 2 upper passes of cell. (See Fig. 4.)



A91252

Fig. 4—Cleaning Heat Exchanger Cell

- Work cable in and out of cell 3 or 4 times to obtain sufficient cleaning. **DO NOT** pull cable with great force. Reverse drill and gradually work cable out.
- Insert brush end of cable in lower opening of cell, and proceed to clean 2 lower passes of cell in same manner as 2 upper passes.
- Repeat foregoing procedures until each cell in furnace has been cleaned.
- Using vacuum cleaner, remove residue from each cell.
- Using vacuum cleaner with soft brush attachment, clean burner assembly.
- Reinstall cell inlet plates and burner assembly. Care must be exercised to center burners in cell openings.

10. Clean flame sensor with fine steel wool
11. Remove old sealant from center panel and collector box flange and apply new sealant to collector box flange and reinstall on center panel, making sure all 8 screws are secure.

NOTE: A releasing agent such as PAM cooking spray or equivalent (must not contain corn or canola oil, aromatic or halogenated hydrocarbons or inadequate seal may occur) and RTV sealant (G.E. 162, 6702, or Dow-Corning 738) are needed before starting installation. DO NOT substitute any other type of RTV sealant. G.E. 162 (P771-9003) is available through RCD in 3-oz tubes.

12. Reinstall relief box and inducer assembly.

NOTE: If inducer assembly gasket is damaged, use RTV sealant to seal inducer assembly to collector box.

13. Reconnect wires to the following components:
 - a. Blocked vent safeguard switch.
 - b. Inducer motor.
 - c. Pressure switch.
 - d. Limit overtemperature switch(es).
 - e. Gas valve.
 - f. Hot surface ignitor.
 - g. Flame-sensing electrode
 - h. Flame rollout switch(es), if applicable.
14. Reinstall vent connector to furnace flue collar. After fully assembling vent connector to furnace flue collar, securely fasten vent connector to flue collar with 2 field-supplied, corrosion-resistant, sheet metal screws located 180 degrees apart and midway up the collar.
15. Turn electrical power and gas to ON.
16. Set thermostat and check furnace for proper operation.
17. Verify blower airflow and speed changes between heating and cooling.
18. Check for gas leaks.

⚠ WARNING

Never use a match or other open flame to check for gas leaks. Use a soap-and-water solution. A failure to follow this warning could result in fire, personal injury, or death.

19. Replace control door.

Step 4—Electrical Controls and Wiring

⚠ CAUTION

There may be more than 1 electrical supply to unit. Check accessories and cooling unit for additional electrical supplies.

The electrical ground and polarity for 115-v wiring must be maintained properly. Refer to Fig. 5 for field wiring information and to Fig. 6 for furnace wiring information.

NOTE: If the polarity is not correct, the STATUS LED on the control will flash rapidly and prevent the furnace from heating. The control system also requires an earth ground for proper operation of the control and flame-sensing electrode.

The 24-v circuit contains an automotive-type, 3-amp fuse located on the control. (See Fig. 7.) Any shorts of the 24-v wiring during installation, service, or maintenance will cause this fuse to blow. If fuse replacement is required, use ONLY a 3-amp fuse. The control LED will display status code 24 when fuse needs to be replaced.

With power to the unit disconnected, check all electrical connections for tightness. Tighten all screws on electrical connections. If any smoky or burned connections are found, disassemble the connection, clean all parts, strip wire, and reassemble properly and securely.

Reconnect electrical power to the unit and observe unit through 1 complete operating cycle. Electrical controls are difficult to check without proper instrumentation; if there are any discrepancies in the operating cycle, contact your dealer and request service.

The control in this furnace is equipped with an LED status light to aid in installation, servicing, and troubleshooting. It can be viewed

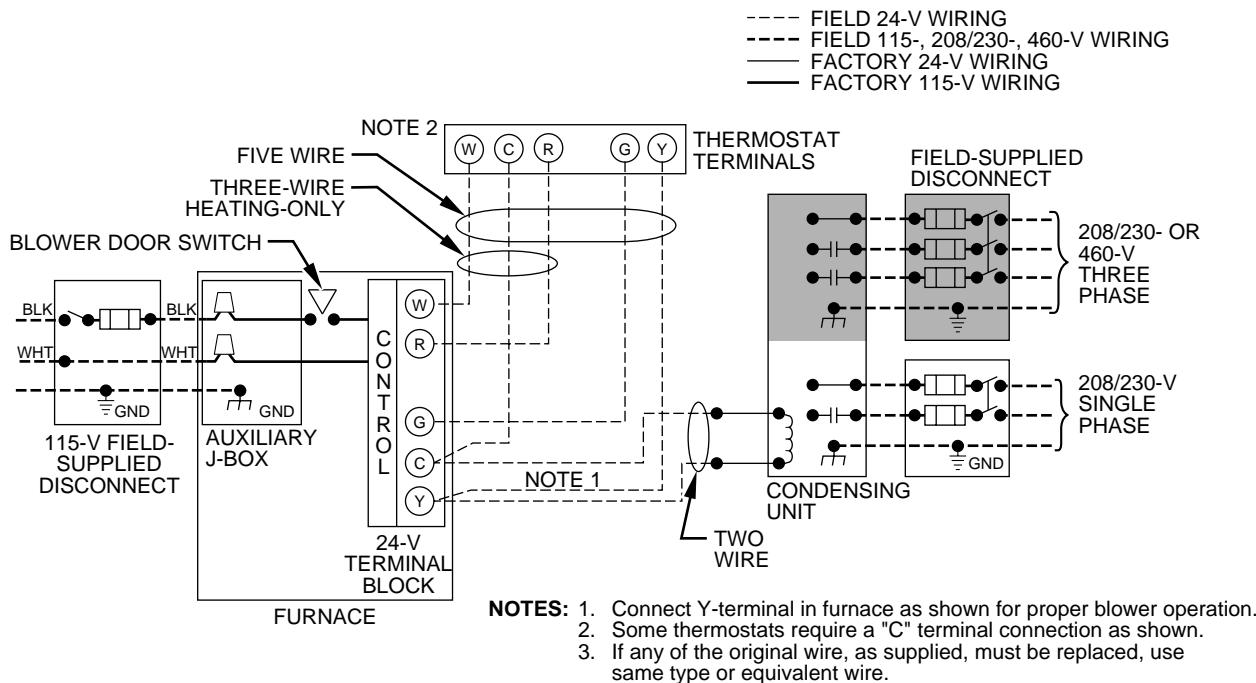


Fig. 5—Heating and Cooling Application Wiring Diagram

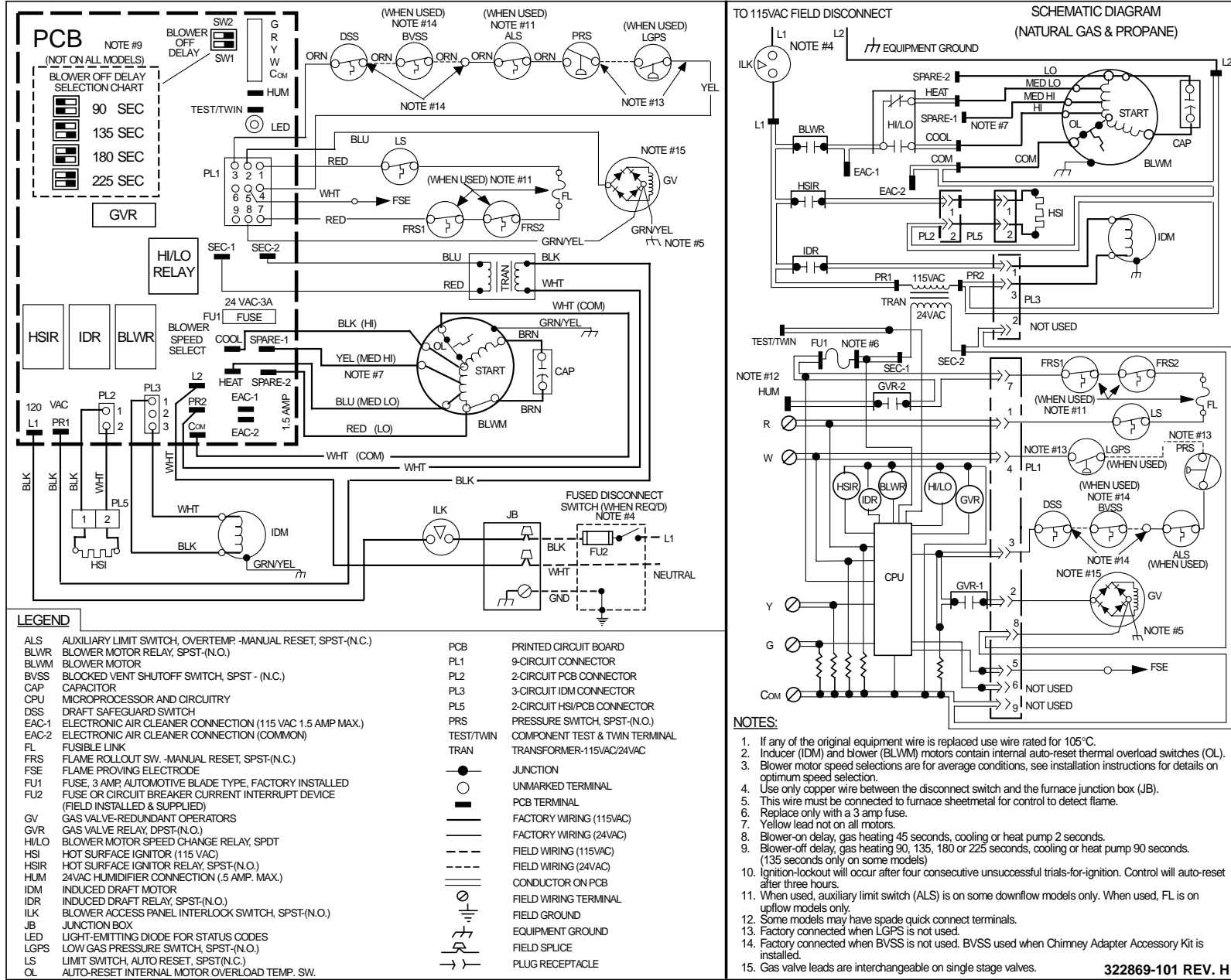
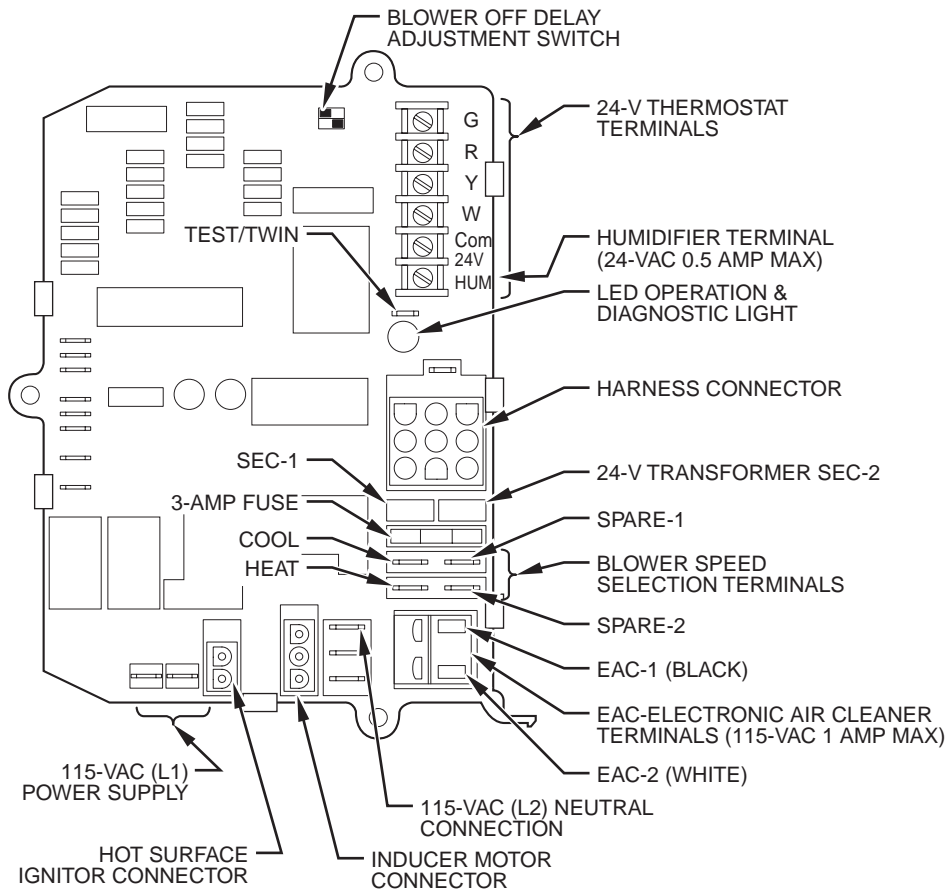


Fig. 6—Unit Wiring Diagram



A00292

Fig. 7—Furnace Control

through the sight glass or window on the blower access door. The control indicates status with the LED on continuously, rapid flashing, or a code composed of 2 digits. (The first digit is the number of short flashes, the second is the number of long flashes.)

For an explanation of status codes, refer to service label (See Fig. 8) located on blower access door or the Troubleshooting Guide.

The control stores 1 status code (the last status code to occur) for a period of 48 hr or until the 115- or 24-v power is interrupted.

NOTE: Look into blower access door sight glass for current LED status BEFORE removing the blower access door. Removing blower access door will open blower access door switch and terminate 115-v power to control, and status code will be erased.

1. To retrieve status code, proceed with the following:

NOTE: NO thermostat signal shall be present at control, and all blower off delays must be completed.

- Leave 115-v power to furnace turned on.
 - Look into blower access door sight glass for current LED status.
- NOTE:** Leave blower access panel installed to maintain power to control to view current LED status.
- Remove control access door.
 - BRIEFLY remove either wire from the main limit switch until LED goes out, then reconnect it.

NOTE: If wire to main limit is disconnected longer than 4 sec, main blower starts, and retrieval request is ignored.

2. When above items have been completed, the following will occur:

- LED flashes a status code 4 times. Record this status code for further troubleshooting.

- Inducer motor starts and continues to run the entire component test.
- Hot surface ignitor is energized for 15 sec, then de-energized.
- Main blower operates at heating speed for 10 sec, then turns off.
- Main blower operates at cooling speed for 10 sec, then turns off.
- Inducer motor stops.

Items a through e above will assist in furnace troubleshooting since all components are functionally operated except the gas valve. This procedure is also referred to as "Component Test."

- Operate furnace through 1 heat cycle to test for proper operation and check LED status.
- If furnace is operating properly and LED indicates proper operation, replace control access door.
- Component Test can also be initiated by performing the following:
 - Remove control access door.
 - Remove blower access door.
 - Manually close blower access door switch.

SERVICE

If status code recall is needed, do not remove power or blower door. Briefly remove and then reconnect one main limit wire to display stored status code.

LED CODE STATUS

CONTINUOUS OFF - Check for 115VAC at L1 and L2, and 24VAC at SEC-1 and SEC-2.

CONTINUOUS ON - Control has 24VAC power.

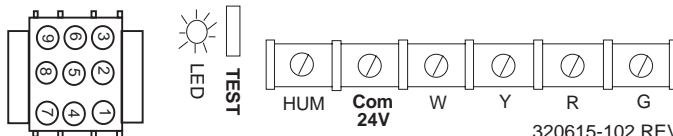
RAPID FLASHING - Line voltage (115VAC) polarity reversed. If twinned, refer to twinning kit instructions.

EACH OF THE FOLLOWING STATUS CODES IS A TWO DIGIT NUMBER WITH THE FIRST DIGIT DETERMINED BY THE NUMBER OF SHORT FLASHES AND THE SECOND DIGIT BY THE NUMBER OF LONG FLASHES.

- 11 **NO PREVIOUS CODE** - Stored status codes are erased when power (115VAC or 24VAC) to control is interrupted or 48 hours after each fault is cleared.
- 12 **BLOWER ON AFTER POWER UP** (115VAC or 24 VAC) - Blower runs for 90 seconds, if unit is powered up during a call for heat (R-W closed).
- 13 **LIMIT OR FLAME ROLL-OUT SWITCH LOCKOUT** - Control will auto reset after three hours. Reset switch or replace fuse link. Refer to #33.
- 14 **IGNITION LOCKOUT** - Control will auto-reset after three hours. Refer to #34.
- 21 **GAS HEATING LOCKOUT** - Control will NOT auto reset.
Check for: - Mis-wired gas valve - Defective control (Valve relay)
- 22 **ABNORMAL FLAME-PROVING SIGNAL** - Flame is proved while gas valve is de-energized. Inducer will run until fault is cleared.
Check for: - Leaky gas valve - Stuck-open gas valve
- 23 **PRESSURE SWITCH DID NOT OPEN** - Check for:
- Obstructed pressure tubing. - Pressure switch stuck closed.
- 24 **SECONDARY VOLTAGE FUSE IS OPEN**
Check for: - Short circuit in secondary voltage (24VAC) wiring.
- 31 **PRESSURE, DRAFT SAFEGUARD, AUX-LIMIT SWITCH (when used*) OR BLOCKED VENT SWITCH (when used) DID NOT CLOSE OR REOPENED (DOWNFLOW ONLY*)** If open longer than five minutes, inducer shuts off for 15 minutes before retry. Check for: - Proper vent sizing
- Low inducer voltage (115VAC) - Defective inducer motor
* - Defective Blower motor or capacitor - Restricted vent
- Defective pressure switch - Excessive wind
- Inadequate combustion air supply
- Disconnected or obstructed pressure tubing
If it opens after trial for ignition period, blower will come on for 90 second recycle delay.
- 33 **LIMIT OR FLAME ROLL-OUT SWITCH IS OPEN** - If open longer than three minutes, code changes to #13. Flame roll-out switch requires manual reset.
Check for: - Defective blower motor or capacitor.
- Dirty filter or restricted duct system.
- Loose blower wheel.
- Defective switch or connections.
- Inadequate combustion air supply (Flame Roll-out Switch or fuse link open).
- Open Flame Roll-out Switch, or fuse link. Manual reset or replace.
- 34 **IGNITION PROVING FAILURE** - Control will try three more times before lockout #14 occurs. If flame signal lost after trial for ignition period, blower will come on for 90 second recycle delay. Check for:
- Oxide buildup on flame sensor (clean with fine steel wool).
- Proper flame sense microamps (.5 microamps D.C. min., 4.0 - 6.0 nominal).
- Gas valve defective or gas valve turned off.
- Defective Hot Surface Ignitor - Manual valve shut-off.
- Low inlet gas pressure. - Control ground continuity
- Green wire **MUST** be connected to furnace sheet metal.
- Inadequate flame carryover or rough ignition.
- Flame sensor must be ungrounded.

COMPONENT TEST

To initiate the component test sequence, shut OFF the room thermostat or disconnect the "R" thermostat lead. Briefly short the TEST terminal to the "Com 24V" terminal. Status LED will flash code and then turn ON the inducer motor. The inducer motor will run for the entire component test. The hot surface ignitor, blower motor-heat speed, and blower motor-cool speed will be turned ON for 10-15 seconds each. Gas Valve and Humidifier will not be turned on.



320615-102 REV. K (LIT)

Fig. 8—Service Label

A99233

⚠ WARNING

Blower access door switch opens 115-v power to control. No component operation can occur. Caution must be taken when manually closing this switch for service purposes. Failure to follow this warning could result in personal injury or death.

- d. BRIEFLY short (jumper) TEST, 3/16 in. quick connect terminal on control (adjacent to LED status light), and COM-24V terminal on furnace control thermostat terminal block. (See Fig. 7.)

NOTE: If TEST to COM-24V terminals are jumpered longer than 2 sec, LED will flash rapidly, and test request will be ignored.

- e. Component Test will function as described in item 2 above.
- f. Check LED status.

- g. If LED status indicates proper operation, RELEASE BLOWER ACCESS DOOR SWITCH, replace blower access door, and replace control access door.

WIRING DIAGRAMS

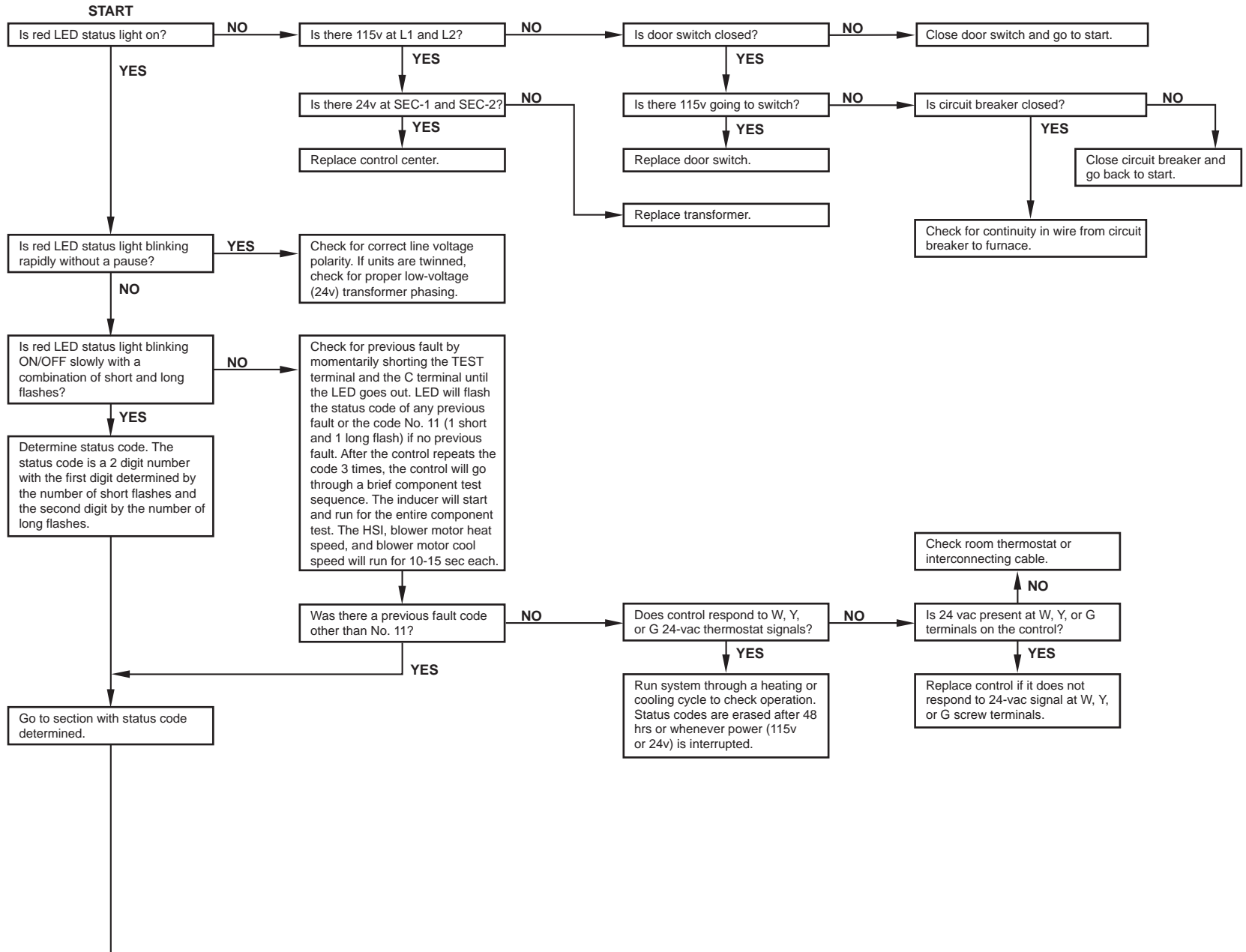
Refer to Fig. 5, 6, and 7 for the 58YAV furnace wiring diagrams.

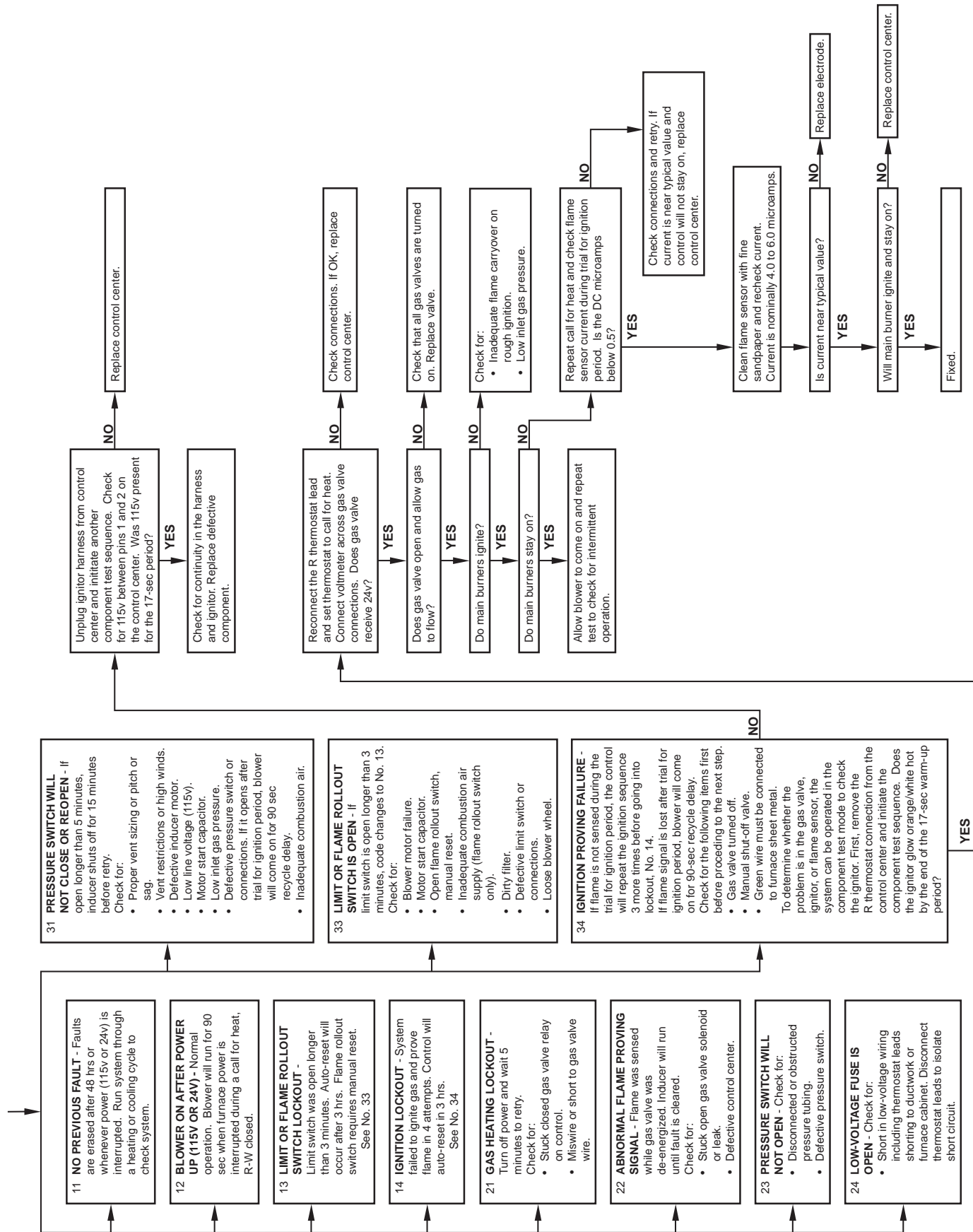
TROUBLESHOOTING

Refer to service label. (See Fig. 8.) The Troubleshooting Guide can be a useful tool in isolating furnace operation problems. Beginning with the word "Start," answer each question and follow the appropriate arrow to the next item.

The Guide will help you identify the problem or failed component. After replacing any component, verify correct operation sequence.

Troubleshooting Guide





Manufacturer reserves the right to discontinue, or change at any time, specifications or designs without notice and without incurring obligations.

Free Manuals Download Website

<http://myh66.com>

<http://usermanuals.us>

<http://www.somanuals.com>

<http://www.4manuals.cc>

<http://www.manual-lib.com>

<http://www.404manual.com>

<http://www.luxmanual.com>

<http://aubethermostatmanual.com>

Golf course search by state

<http://golfingnear.com>

Email search by domain

<http://emailbydomain.com>

Auto manuals search

<http://auto.somanuals.com>

TV manuals search

<http://tv.somanuals.com>