



## READ AND SAVE THESE INSTRUCTIONS

INSTRUCTIONS FOR MOUNTING THESE CENTER STEM  
CFL LIGHT FIXTURES:  
K134F, K164F, K3KF, K4KF,

**WARNING:** To reduce the possibility of electrical shock, be sure that the power is turned off at its source (fuse or circuit breaker). All electrical components must be installed in accordance with national and local electrical codes. To reduce the risk of fire and electrical shock, this light fixture should be used only with UL, ETL & CUL Certified Casablanca ceiling fans.

### IMPORTANT: Before discarding any packing material locate the following items:

| Fixture | Light Bulb(s)         | Dimensions (w/glass)                           | Weight |
|---------|-----------------------|------------------------------------------------|--------|
| K134F   | 4 - 13w 4 pin "PLS13" | 7 $\frac{1}{2}$ "h x 8 $\frac{1}{4}$ " to 21"w | 7 lbs  |
| K164F   | 4 - 13w 4 pin "PLS13" | 8"h x 17"w                                     | 7 lbs  |
| K3KF    | 3 - 13w 4 pin "PLS13" | 9"h x 15 $\frac{1}{2}$ "w                      | 9 lbs  |
| K4KF    | 4 - 13w 4 pin "PLS13" | 7"h x 11" to 18"w                              | 3 lbs  |

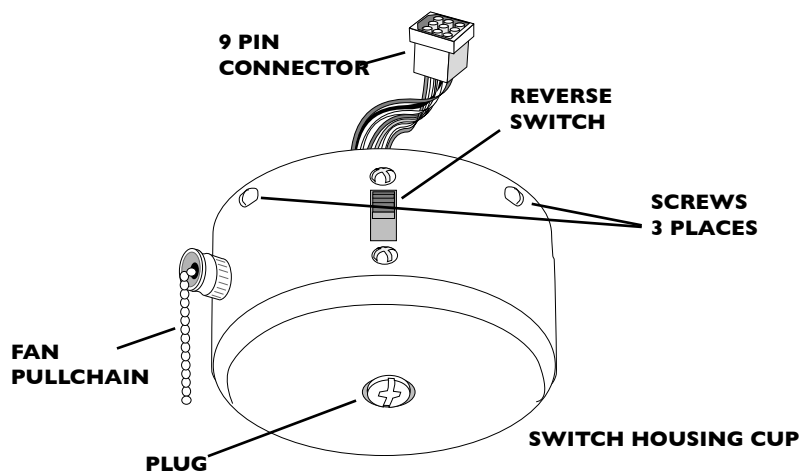
Lock nut & washer:



## INSTALLATION

**Depending on the fan you are installing the light fixture on, please follow the appropriate instructions**

I. If your fan switch housing looks like this:



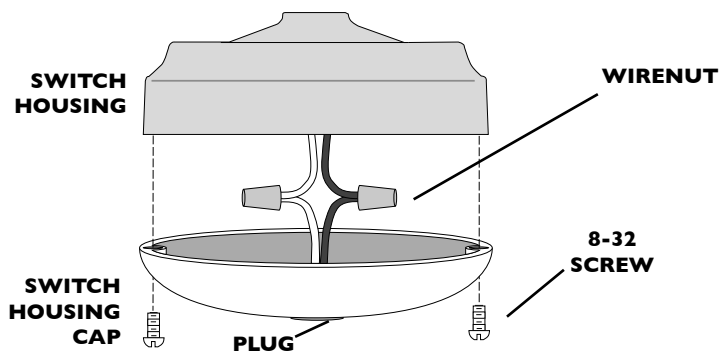
- Remove switch housing cup from the fan.
  - Remove the 3 screws shown. Keep them for later.
  - Unplug connector.
- Remove plug from bottom of switch housing cup.
- Pass the wires from the light fixture through the outer hole of the switch housing cup, thread cup onto light fixture threads until tight.
- Locate the star washer & lock nut. Pass wires from light fixture through the star washer first, then the lock nut and thread on light fixture until tight.

- e) Locate the 2 wires from the switch housing cup labeled "lights". Remove plastic wire nuts from switch housing cup wires and strip 1/2" insulation from both wires (blue & white). Connect the wires from the switch housing cup to the wires from the light fixture: Blue to Black and White to White by placing the bare ends of the wires together and then secure with the wirenuts.

**CAUTION: Make sure no bare wires are exposed. Test the secureness of each splice by pulling on the wire nut.**

- f) Reconnect the 9 pin connector from the fan to the switch housing cover.  
g) Align switch housing cover with the bracket holes on the fan, making sure no wires are pinched in the process.  
h) Install the 3 screws removed in step 1a. Again, make sure that no wires are pinched in the process.  
i) Install glass (not included) by loosening the thumbscrews on each shadeholder, align glass inside shadeholder as far as it will go and tighten thumbscrews equally around the glass. Make sure glass is snug and locked down tight so that the glass will not rattle the the fan is in operation.  
j) Install appropriate light bulbs.  
**Do not exceed the maximum wattage indicated on the light fixture.**  
k) Connect fob pull chain to light pull chain.

2. If your fan switch housing looks like this:



- a) Remove the switch housing cap by removing the two 8-32 screws. Save these screws for re-attaching cap.  
b) Remove plug from bottom of switch housing cap.  
c) Pass the wires from the light fixture through the outer hole of the switch housing cap, thread cap onto light fixture threads until tight.  
d) Locate the star washer & lock nut. Pass wires from light fixture through the star washer first, then the lock nut and thread on light fixture until tight.  
e) Locate the 2 wires from the switch housing labeled "lights". Remove plastic wire nuts from switch housing wires and strip 1/2" insulation from both wires (black or blue, and white).  
f) While holding light fixture up to the fan, attach the wires from the fan switch housing and the wires from the light fixture together. (**Black to Black** or **Blue to Black** and **White to White**) by placing the bare ends of the wires together and then secure the wirenuts.  
**CAUTION: Make sure no bare wires are exposed. Test the secureness of each splice by pulling on the wire nut.**  
g) Re-attach the switch housing cap with light fixture attached to the fan switch housing using the two 8-32 screws removed in step 2a, insuring guide pins are properly located into switch housing.  
**CAUTION: Make sure no wires are pinched between the cap and the switch housing. Tighten the screws to secure the light fixture to the fan.**  
h) Install glass (not included) by loosening the thumbscrews on each shadeholder, align glass inside shadeholder as far as it will go and tighten thumbscrews equally around the glass. Make sure glass is snug and locked down tight so that the glass will not rattle when the the fan is in operation.  
i) Install appropriate light bulbs.  
**Do not exceed the maximum wattage indicated on the light fixture.**  
j) Connect fob pull chain to light pull chain.

## Free Manuals Download Website

<http://myh66.com>

<http://usermanuals.us>

<http://www.somanuals.com>

<http://www.4manuals.cc>

<http://www.manual-lib.com>

<http://www.404manual.com>

<http://www.luxmanual.com>

<http://aubethermostatmanual.com>

Golf course search by state

<http://golfingnear.com>

Email search by domain

<http://emailbydomain.com>

Auto manuals search

<http://auto.somanuals.com>

TV manuals search

<http://tv.somanuals.com>