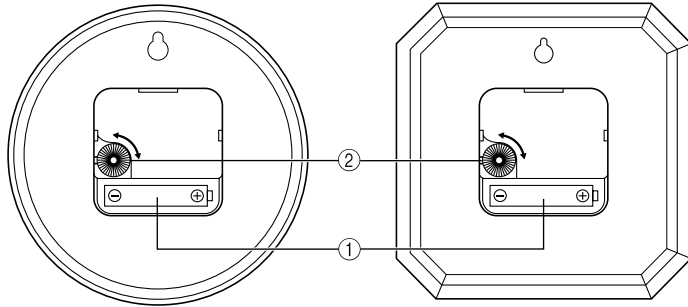


Operation Guide W-CLO.G

<Type 1>



- A sticker is affixed to the display of this clock when you purchase it. Be sure to remove the sticker before using the clock.
- Depending on the clock model, the configuration of your clock may differ somewhat from that shown in the illustration.

TO START CLOCK

Insert a battery into **battery compartment (1)** with polarity as indicated.

TO SET TIME

Turn the **hour/minute adjuster (2)** in either direction.

TO ADJUST SECONDS

<Type 1>

Remove the battery to stop the second hand at 12 o'clock position. Replace the battery at a time signal to restart the second hand on the correct second.

<Type 2>

Slide **switch (3)** to the **STOP** setting to stop the second hand. Slide **(3)** to **START** on a time signal to restart the second hand.

- **The start of second hand may be delayed depending on the timing of your switch operation.**

REPLACING THE BATTERY

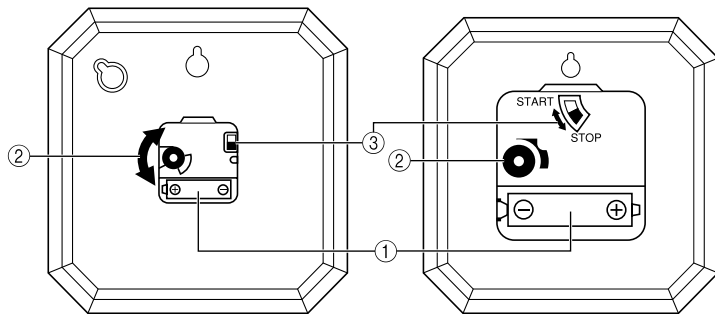
Low battery power is indicated when timekeeping slows or stops completely. Should either of these symptoms occur, replace the battery immediately. Do not leave a low or dead battery in the clock.

1. Remove the old battery.
2. Load a new battery, making sure that its positive (+) and negative (-) ends are facing correctly. Loading a battery incorrectly can cause it to burst and damage the clock.

Battery precautions

- Keep batteries out of the reach of small children. If a battery is accidentally swallowed, contact your physician immediately.
- Be sure to load the battery with its positive (+) and negative (-) ends facing correctly.
- Never charge the battery that comes with the clock.
- Should a battery ever leak while in the clock, wipe out the fluid with a cloth, taking care not to let any get onto your skin.
- Replace the battery at least once a year, even if the current battery is working normally.
- The battery that comes with the clock loses some power during transport and storage.

<Type 2>



Free Manuals Download Website

<http://myh66.com>

<http://usermanuals.us>

<http://www.somanuals.com>

<http://www.4manuals.cc>

<http://www.manual-lib.com>

<http://www.404manual.com>

<http://www.luxmanual.com>

<http://aubethermostatmanual.com>

Golf course search by state

<http://golfingnear.com>

Email search by domain

<http://emailbydomain.com>

Auto manuals search

<http://auto.somanuals.com>

TV manuals search

<http://tv.somanuals.com>