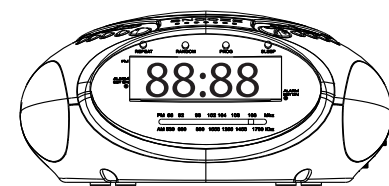


COBY®

**DIGITAL AM/FM ALARM CLOCK
RADIO/CD PLAY**

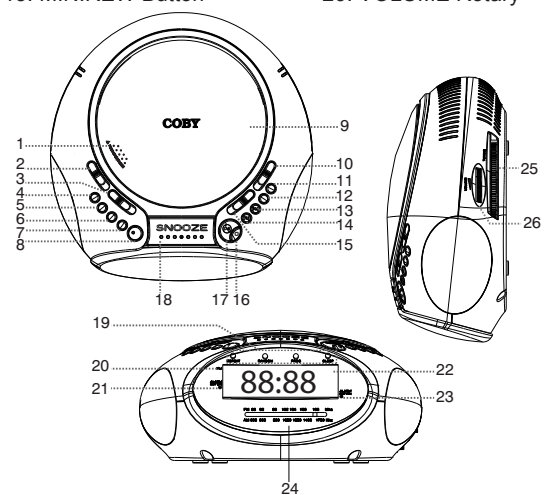


MODEL NO: CD-RA145

Please read instruction manual before use.

LOCATION OF CONTROLS

- 1. PUSH OPEN CLOSE Button
- 2. ALARM1 Switch
- 3. Function Switch
- 4. CLOCK SET Button
- 5. RANDOM Button
- 6. PROG Button
- 7. REPEAT Button
- 8. POWER/ALARM OFF Button
- 9. CD Door
- 10. ALARM2 Switch
- 11. SLEEP Button
- 12. CD/DISPLAY Butttion
- 13. MIN.REW Button
- 14. HOUR/F.FWD Button
- 15. Band Selector
- 16. STOP Button
- 17. PLAY/PAUSE Button
- 18. SNOOZE Button
- 19. FUNCTION Lights
- 20. PM Light
- 21. ALARM1 Light
- 22. Display
- 23. ALARM2 Light
- 24. Dial
- 25. TUNING Rotary
- 26. VOLUME Rotary



IMPORTANT SAFEGUARDS

Always operate the product from a power supply of the same voltage, frequency and rating as indicated on the product identification plate.

Do not operate product with a damaged cord or plug. Never install the unit where there are heat sources such as radiators, heat registers, stoves, direct sunlight, excessive dust or where there is mechanical vibration or shock. Switch off and unplug from AC outlet when not in us

IMPORTANT

The CD mechanism and the sensitive circuitry may cause interference to a radio tuner nearby. Do not operate this unit while operating other radio devices.

Danger This product utilizes invisible laser radiation. Avoid direct exposure to the beam.



Caution Use of controls, adjustments or procedures not listed in this manual may result in hazardous radiation exposure.

CONCERNING COMPACT DISCS

Only compact discs identified with this mark can be used with this player.



CARE AND MAINTENANCE

Handle your unit with care to extend the life of the unit. Use a soft and clean cloth damped with plain lukewarm water to clean the exterior of the unit. The system clock will display time under the standby mode. Refer to clock setup section for time setting. Never use solvents such as benzene or other strong chemical cleaners since these could damage your unit. It is important that no liquid reaches the inside of the unit. Do not touch the CD laser part or look directly at it.

INTRODUCTION

Please read and follow the instruction manual carefully before operating in order to avoid any damage to the unit.

POWER SUPPLY

The player operates on AC 110V/60Hz household mains supply. Before connecting to the power supply, ensure that the rated voltage of this unit matches your local voltage.

Warning: Disconnect the unit from the main power supply when not in use.

To avoid the risk of electric shock, do not remove the cover of the apparatus. To prevent fire or shock hazard, do not expose the apparatus to rain or moisture.

BATTERY BACK-UP

A 9V type 006P battery is to be put in the battery compartment of the CD room for clock back-up only. Replace the battery every six months.

Remove the battery if the player will not be in use for a long period of time.

STANDBY MODE

Once the player is powered, it goes to the standby mode. The system clock will display time under the standby mode. Refer to clock setup section for time setting.

CLOCK SETUP

- 1. Plug power cord into power souce.
- 2. The flashing "12:00 " will appear on the screen.
- 3. Hold down CLOCK SET button by one hand while by the other hand, press MIN.REW BUTTON to adjust minutes and HOUR.FWD button to adjust hour.
- 4. Release CLOCK SET button after adjusting.
- 5. The clock starts with the set time.

Time will always be shown on the LCD screen except for the period of setup execution.

ALARM SETUP

Wake up to Radio/CD /Buzzer

Select a means of wake-up by FUNCTION switch before or after time setting.

MODE	MEANS OF WAKE UP
Radio mode	Radio broadcasting.
CD mode	CD playback
Buzzer mode	Beeping.

If you want to wake to radio or CD playback, select a radio station or a CD disc and set the volume to a proper level.

Set Alarm1

- 1. Slide the ALARM1 switch to SET position.
- 2. Press MIN.REW button to set minutes and HOUR/F.FWD button to set hours.
- 3. Slide the ALARM1 switch to ON position. The ALARM1 SET ON indicator lights up in red.
- 4. The alarm will go off at the set time.
- 5. To intercept alarming, press SNOOZE button.
- 6. To stop alarming, press POWER/ALARM OFF button.
- 6. To disable alarm setting, push the ALARM1 switch to OFF and the ALARM1 SET ON indicator turns off.

Set Alarm 2 (Refer to alarm1 setup)

Snooze to repeat alarm

- 1. When alarm comes on you can temporarily turn it off by pressing the SNOOZE button. Approximately 6 minutes later the alarm will resume. This operation cycle will be repeated up to five times within an hour, and then automatically release the wake up function.
- 2. To cancel the snooze operation, slide the ALARM1 switch to "OFF" position

RADIO OPERATION

- 1. Slide FUNCTION switch to RADIO. If the player is under the standby mode, press POWER button to set the player ready for function.
- 2. Select AM or FM with BAND selector.
- 3. Get to the desired station by TUNING rotary
- 4. Adjust the volume with VOLUME rotary
- 5. Extend antenna and adjust the direction to obtain the optimum reception.
- 6. Press POWER button to get to the standby mode.

Sleep Function

Radio broadcasting will last for a preset period of time and then shut off automatically.

The system is preset with the following sleep periods :
90 minutes 60 minutes 30 minutes

- 1. Repeatedly press SLEEP button till desired sleep period appears. Sleep indicator flashes red.
- 2. Sleep function will be activated once the sleep indicator turns still after a few seconds flashing.
- 3. To quit sleep function, press SLEEP button to select " -- ", Sleep indicator flashes for a while and then turns off.
- 4. Sleep function can be entered under the radio-on mode and the standby mode.

At the standby mode, press SLEEP button twice , radio will turn on automatically.

CD OPERATION

- 1. Slide the FUNCTION switch to CD. If it is in the standby mode, press POWER button to set the player ready for function
- 2. Press the OPEN/CLOSE button to open the disc door.
- 3. Insert a CD disc.

Play/Stop/Pause

- 1. Press PLAY/PAUSE button once to start playback.
- 2. Press PLAY/PAUSE button to pause playing.
- 3. Press PLAY/PAUSE button to resume normal playback from the pause mode.
- 4. Press STOP button to stop playback.
- 5. Always press STOP and wait for a complete stop to remove CD from the player.

Listen to the desired track

- 1. Press F.FWD button to get to the next track.
- 2. Press REW button to get to the previous track. During playback, press REW button once, it will go to the beginning of the currently played track and press it twice, it will get to the previous one.

Move to the desired spot

Hold down F.FWD/REW button to search through a disc and release the button at a desired point.

View Playback Status

Press CD DISPLAY button to view playback status. The information will show up a few seconds and then change back to the time display. Under the stop mode, the screen shows total tracks of a CD disc. If there is no disc loaded, the screen shows " NO " Under the playback mode, the screen shows currently played track .

Repeat Mode

- 1. Press REPEAT button once to repeat currently played track. The repeat indicator starts flashing in red. Press it twice to repeat all tracks, the repeat indicator lights red.
- 2. Keep pressing REPEAT button until repeat indicator turns off to quit repeat mode.

Repeat mode can be entered from both the playback mode and the stop mode. under the stop mode,press PLAY/PAUSE button to get started.

Random Mode

The player will start playback by a random order .

Random mode can be entered from both the playback mode and the stop mode.

- 1. Press RANDOM button
- 2. Random indicator lights red and random play start. If it is in the stop mode, press PLAY/PAUSE to get started.
- 3. To quit random mode, just press RANDOM button to turn off indicator.

Program Mode

- 1. Press the PROG button at the stop mode. P-01 appears on the screen and the PROG indicator starts flashing in red.
- 2. Press MIN .REW/HOUR/F.FWD button to select track.
- 3. Press PROG button to confirm and P-01turns to P-02. It is ready to make next selection.
- 4. Repeat step 2-3 to edit up to 20 tracks.
- 5. Press PROG button to view program list.
- 6. Press PLAY/PAUSE button to start program playback.
- 7. To quit program playback, press STOP button and then press PROG button. PROG indicator starts flashing for a few seconds and turns off automatically. Or press STOP button again while PROG indicator is flashing.
- 8. To erase memory, unplug power cord or open the CD door.

SPECIFICATION

Power supply	110V/60Hz
Back-up battery	DC 9V
FM	88-108MHz
AM	530-1700KHz
Power consumption	5W
Output power	1W
Speaker	8 Ohm

Free Manuals Download Website

<http://myh66.com>

<http://usermanuals.us>

<http://www.somanuals.com>

<http://www.4manuals.cc>

<http://www.manual-lib.com>

<http://www.404manual.com>

<http://www.luxmanual.com>

<http://aubethermostatmanual.com>

Golf course search by state

<http://golfingnear.com>

Email search by domain

<http://emailbydomain.com>

Auto manuals search

<http://auto.somanuals.com>

TV manuals search

<http://tv.somanuals.com>