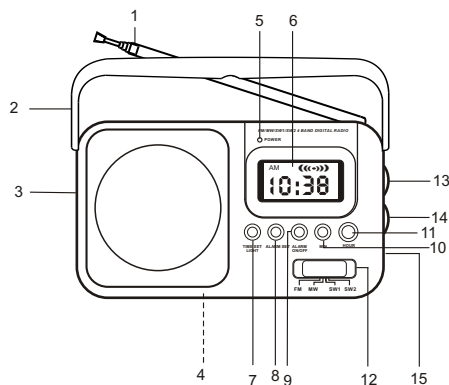


## CX-39

# Operating Instruction

AM/FM/SW1/SW2 4 BAND RADIO WITH ALARM CLOCK



1. Telescopic Antenna
2. Handle Bar
3. AC socket
4. Battery Compartment
5. Power Indicator
6. LCD
7. Time Set/Light
8. Alarm Set
9. Alarm On/Off
10. MIN
11. HOUR
12. Band Switch
13. Tuning Dial
14. Volume Dial with Power Switch
15. Earphone Jack

## POWER SOURCE -----

### BATTERY OPERATION

1. Open the Battery Cover.
2. Insert 2 "D" size (UM-1 or equivalent) batteries into the battery compartment, making sure that the batteries are installed with the proper polarities (+ and -).

### AC Supply

1. Make sure the Voltage Selector is set to the correct position. Connect the AC cord to the AC socket and the wall socket. The set is now ready to use.
2. To switch off the set completely, pull the AC cord from the wall socket.

### To prevent possible damage to this unit:

- \* Load new batteries with their polarities (+ and -) aligned correctly.
- \* Do not apply heat to batteries, or internal short-circuit may occur.
- \* If this unit is not to be used for a long period of time, remove all batteries and store them in a cool and dry place.
- \* Remove dead batteries immediately and dispose of them.
- \* Do not use old and new batteries together. Also never use an alkaline battery with a manganese Battery.
- \* Battery life  
If the sound becomes low or distorted, replace all of the batteries with new ones.

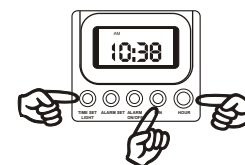
## RADIO OPERATION -----

1. Rotate the volume dial to turn the radio on and adjust to the desired sound level.

2. Select the preferred frequency band (FM/AM/SW1/SW2) by sliding the band switch
3. Rotate the tuning dial to tune to the desired station. The display shows the frequency.
4. Adjust the antenna (See ANTENNAS).
5. To switch off the radio, rotate the volume dial until a click is heard.

## CLOCK FUNCTION-----

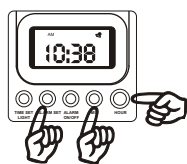
### TO SET THE TIME



1. Press and hold the TIME SET button, and press the HOUR button until the correct hour is shown.
- \* Ensure that the AM/PM is set properly.
2. While holding the TIME SET button, press the MINUTE button until the correct minute is shown.

### TO SET THE ALARM TIME

1. Press and hold the ALARM SET button, and a "☾" will appear on the display to identify the alarm time. While holding the ALARM SET button, press the HOUR button until the desired hour is shown.
- \* Ensure that the AM/PM is set properly.



2. While holding the ALARM SET button, press the MINUTE button until the desired minute is shown.



3. After setting the alarm time, turn on the radio, select the station, and turn the unit off.
4. Press the ALARM ON/OFF button, a "☾" will appear on the display. The radio will turn itself on at the alarm time.

### ■ ANTENNAS

#### FM:

Pull out the Telescopic Antenna and adjust its length and angle for optimum reception.

#### AM :

The sensitive ferrite core antenna inside the set will provide excellent AM reception in most areas. Turn the set in the direction which gives the best results because the ferrite core antenna is directional.

#### SW1-2:

Fully and vertically extend the telescopic antenna.



## HELPFUL HINTS -----

- \* If the set is not used for a long period of time, Remove the batteries to prevent potential damage due to possible battery leakage.
- \* Do not subject the set to temperatures over 60°C(140°F) because characteristics of the internal parts may be adversely affected by heat. Never leave the set in a car exposed to direct sunlight for a long period of time with the doors and windows closed. The cabinet may become deformed and deterioration of the performance may result.
- \* Since a strong magnet is used for the speaker, keep magnetized commuter passes, tickets or personal credit cards, recorded tapes, watches etc. away from the radio. The speaker magnet in the radio may damage them.
- \* Do not place the set near strong magnets such as those used in radio, television sets, speaker boxes etc. as these may cause the frequency to drift.
- \* Do not drop or subject the set to a strong impact since the set is composed of precision parts.
- \* When listening in a train, car or building, use the Radio near a window to obtain reception. Reception may be difficult in a tunnel or subway. Also note that operating the radio on a metal object may adversely affect reception.
- \* Do not use benzene, thinners or any abrasive

powder to clean the cabinet. Wipe it with a soft cloth moistened with a mild soap and water solution.

\* Avoid spray-type insecticides. Some insecticides contain chemicals that could cause cabinet deformation.

## SPECIFICATIONS -----

Power Source: 2 "D" size/UM-1 batteries (DC 3V)

Frequency Range:

AM: 530 - 1710 KHz

FM: 87.5-108.0 MHz

SW1: 6.0 - 12 MHz

SW2: 12 - 18 MHz

Speaker: 8Ω 3W

Power Output: 150mW (RMS. Max.)

Output Jack: Earphone 32Ω

\* Design and Specifications are subject to change without notice.

For recycling or disposal information about this product, please contact your local authorities or the Electronics Industries Alliance: [www.eiae.org](http://www.eiae.org)

### PROP. 65 WARNING:

Handling the coated electrical wires of this product exposes you to lead, a chemical known to the State of California to cause cancer, birth defects and other reproductive harm.

Wash hands after use.

## Free Manuals Download Website

<http://myh66.com>

<http://usermanuals.us>

<http://www.somanuals.com>

<http://www.4manuals.cc>

<http://www.manual-lib.com>

<http://www.404manual.com>

<http://www.luxmanual.com>

<http://aubethermostatmanual.com>

Golf course search by state

<http://golfingnear.com>

Email search by domain

<http://emailbydomain.com>

Auto manuals search

<http://auto.somanuals.com>

TV manuals search

<http://tv.somanuals.com>