

# EH, EHR & MH Wall Mount Range Hoods

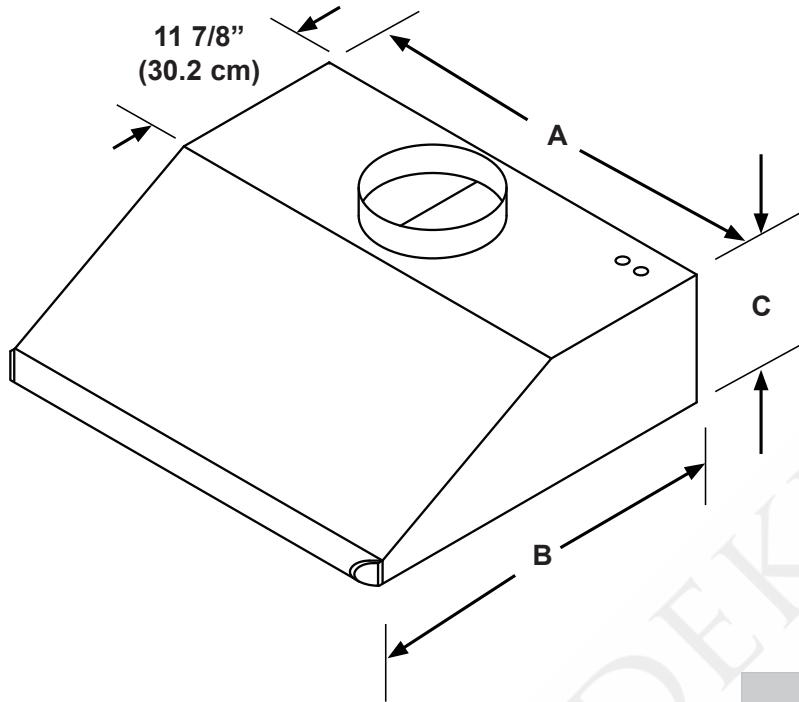
**dacor**  
The Life of the Kitchen.®

Revised  
04/28/08

**30", 36", 42", 48", 54" Wide Hoods**

1/3

**PLANNING GUIDE**



**OVERALL DIMENSIONS**

OVERALL DIMENSIONS			
Model	A	B	C
EH/EHR3012	29 7/8" (75.9 cm)	26 7/8" (68.3 cm)	12 3/8" (31.4 cm)
EH/EHR3612	35 7/8" (91.1 cm)		
EH/EHR4212	41 7/8" (106.4 cm)		
EH/EHR4812	47 7/8" (121.6 cm)		
MH3012	29 7/8" (75.9 cm)	25 1/2" (64.8 cm)	18" (45.7 cm)
MH3612	35 7/8" (91.1 cm)		
MH4812	47 7/8" (121.6 cm)		
EH/EHR3018	29 7/8" (75.9 cm)	26 7/8" (68.3 cm)	18" (45.7 cm)
EH/EHR3618	35 7/8" (91.1 cm)		
EH/EHR4218	41 7/8" (106.4 cm)		
EH/EHR4818	47 7/8" (121.6 cm)		
EH/EHR5418	53 7/8" (136.8 cm)		
MH3018	29 7/8" (75.9 cm)	25 1/2" (64.8 cm)	18" (45.7 cm)
MH3618	35 7/8" (91.1 cm)		
MH4818	47 7/8" (121.6 cm)		



**NOTES:**

1. The exhaust duct(s) and electrical wiring can be connected from either the top or the back of the hood.

# EH, EHR & MH Wall Mount Range Hoods



Revised  
04/28/08

**30", 36", 42", 48", 54" Wide Hoods**

2/3

**PLANNING GUIDE**

## GENERAL SPECIFICATIONS

### All Models

Fan Speeds	4
Filters	Mesh type, dishwasher safe
Exhaust(s)	8-inch
Total Connect Load	120 Vac, 60 Hz, 9 Amp MAX (10.0 Amp MAX surge)
Lights	120 Vac, 75 W halogen
Circuit Requirement	120 Vac, 15 Amp dedicated, grounded circuit

### Model Specific

	MODEL NUMBER		
	EH48, EHR48, MH48, EH54	EH42, EHR42	EH30, EHR30, MH30, EH36, EHR36, MH36
Lights	3	2	2
Filters	3	3	2
Exhaust Outputs	2	1	1
Fan* Rating	1200 CFM	600 CFM	600 CFM

\* Does not apply to EHR Series

### WEIGHT SPECIFICATIONS

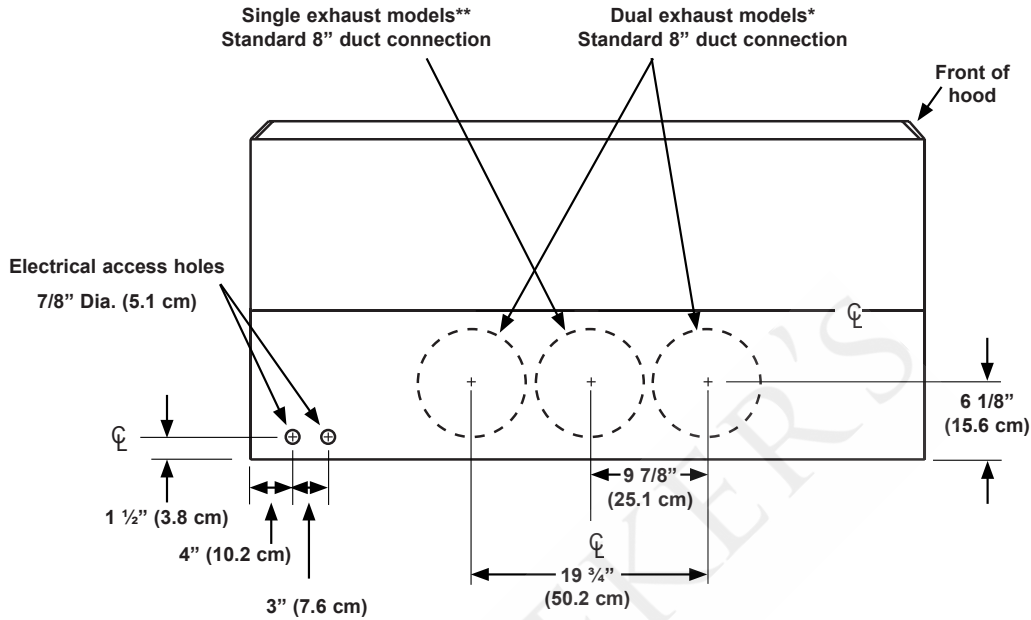
Models	Weight
EH3012, MH3012	48 lbs. (22 kg)
EH3018, MH3018, EH3612, MH3612	53 lbs. (24 kg)
EH3618, MH3618	57 lbs. (26 kg)
EH4212	55 lbs. (25 kg)
EH4218	60 lbs. (27 kg)
EH4812, MH4812	70 lbs. (32 kg)
EH4818, MH4818	77 lbs. (35 kg)
EH5418	84 lbs. (38 kg)

### WEIGHT SPECIFICATIONS

Model	Weight
EHR3012	39 lbs. (18 kg)
EHR3018, EHR3612	44 lbs. (20 kg)
EHR3618	48 lbs. (22 kg)
EHR4212	46 lbs. (21 kg)
EHR4218	51 lbs. (23 kg)
EHR4812	52 lbs. (24 kg)
EHR4818	59 lbs. (27 kg)
EHR5418	66.4 lbs. (30 kg)

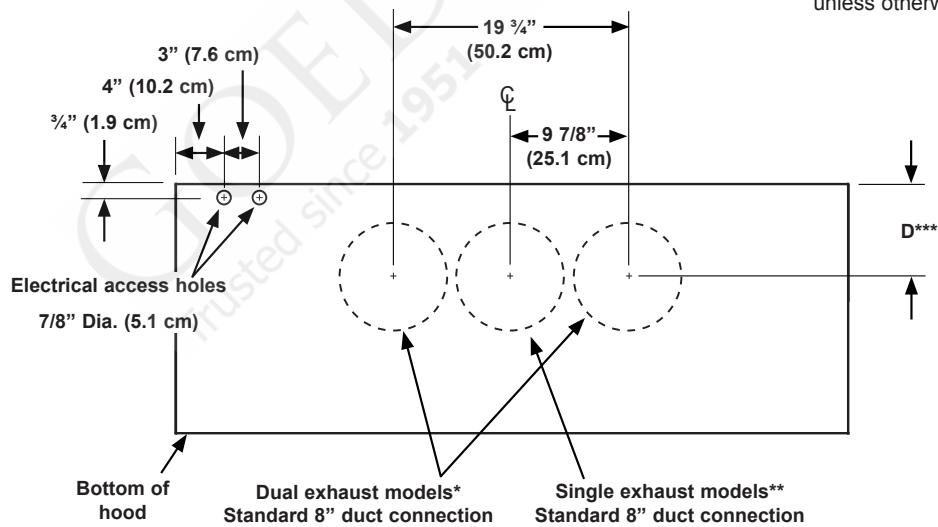
# EH, EHR & MH Wall Mount Range Hoods

NOTE: The exhaust duct(s) and electrical wiring can be connected from either the top or the back of the hood.



**Top Dimensions**

All tolerances: +1/16", -0, (+1.6mm, -0) unless otherwise stated



**Back Dimensions**

Rear Exhaust Placement	
Hood Width	D
30"	9" (22.9 cm)
36"	8" (20.3 cm)
42"	17" (43.2 cm)
48" & 54"	14 7/16" (137.2 cm)

\* Models EH48, EHR48, MH48, EH54, EHR54  
\*\* All other models

## Free Manuals Download Website

<http://myh66.com>

<http://usermanuals.us>

<http://www.somanuals.com>

<http://www.4manuals.cc>

<http://www.manual-lib.com>

<http://www.404manual.com>

<http://www.luxmanual.com>

<http://aubethermostatmanual.com>

Golf course search by state

<http://golfingnear.com>

Email search by domain

<http://emailbydomain.com>

Auto manuals search

<http://auto.somanuals.com>

TV manuals search

<http://tv.somanuals.com>