

Universal Miter Saw/Planer Stand

(Model 36-136)

INSTRUCTION MANUAL



INSTRUCTIVO DE OPERACIÓN,
CENTROS DE SERVICIO Y PÓLIZA
DE GARANTÍA. **⚠ ADVERTENCIA:**
LÉASE ESTE INSTRUCTIVO ANTES
DE USAR EL PRODUCTO.

PART NO. 657645-00 - 10-27-07
Copyright © 2005, 2007 Delta Machinery



DELTA

To learn more about DELTA MACHINERY
visit our website at: www.deltaportercable.com.
For Parts, Service, Warranty or other Assistance,

ESPAÑOL: PÁGINA 9
FRANÇAISE : PAGE 17

please call **1-800-223-7278** (In Canada call **1-800-463-3582**).

Download from www.Somanuals.com. All Manuals Search And Download.

SAFETY GUIDELINES - DEFINITIONS

This manual contains information that is important for you to know and understand. This information relates to protecting YOUR SAFETY and PREVENTING EQUIPMENT PROBLEMS. To help you recognize this information, we use the symbols below. Please read the manual and pay attention to these sections.

⚠ DANGER Indicates an imminently hazardous situation which, if not avoided, will result in death or serious injury.

⚠ WARNING Indicates a potentially hazardous situation which, if not avoided, could result in death or serious injury.

⚠ CAUTION Indicates a potentially hazardous situation which, if not avoided, may result in minor or moderate injury.

CAUTION Used without the safety alert symbol indicates potentially hazardous situation which, if not avoided, may result in property damage.

SAFETY RULES



⚠ WARNING

READ AND UNDERSTAND ALL WARNINGS AND OPERATING INSTRUCTIONS BEFORE USING THIS EQUIPMENT. Failure to follow all instructions listed below, may result in electric shock, fire, and/or serious personal injury or property damage.

SAVE THESE INSTRUCTIONS

⚠ WARNING This product was designed for certain applications only. Delta Machinery strongly recommends that this product not be modified and/or used for any application other than that for which it was designed. If you have any questions relative to a particular application, **DO NOT** use this unit until you have first contacted Delta to determine if it can or should be performed on the product.

Technical Service Manager

Delta Machinery
4825 Highway 45 North
Jackson, TN 38305

(IN CANADA: 125 Mural St. Suite 300, Richmond Hill, ON, L4B 1M4)

⚠ WARNING Failure to follow these rules may result in serious personal injury.

1. **THIS PRODUCT WAS DESIGNED TO BE USED AS A STAND FOR MITER SAWS AND PLANERS.** The stand will support 300 lbs. Any misuse or abuse can result in product damage or personal injury.
2. **DO NOT STAND ON THE WORK TABLE** or use the support extensions as a ladder or scaffolding.
3. **PROPERLY SECURE THE MITER SAW OR PLANER** to the stand before operation.
4. **PLACE THE STAND ON A FLAT AND LEVEL SURFACE** to prevent rocking or tipping.
5. **TAKE CARE DURING THE RAISING AND LOWERING OF THE PRODUCT** to reduce the hazard of pinching hands and fingers.

⚠ CAUTION To reduce the risk of injury, keep both hands on handle when raising and lowering the stand. The stand has gas assist lifting and may raise unexpectedly when lever is released.

6. **CHECK THE LEGS AND OTHER SUPPORTS** to see that they are properly locked in place before operation.
7. **WEAR EYE AND HEARING PROTECTION. ALWAYS USE SAFETY GLASSES.** Everyday eyeglasses are NOT safety glasses. USE CERTIFIED SAFETY EQUIPMENT. Eye protection equipment should comply with ANSI Z87.1 standards. Hearing equipment should comply with ANSI S3.19 standards.
8. **DO NOT MODIFY** or use the stand for any operation for which it is not intended.

FUNCTIONAL DESCRIPTION

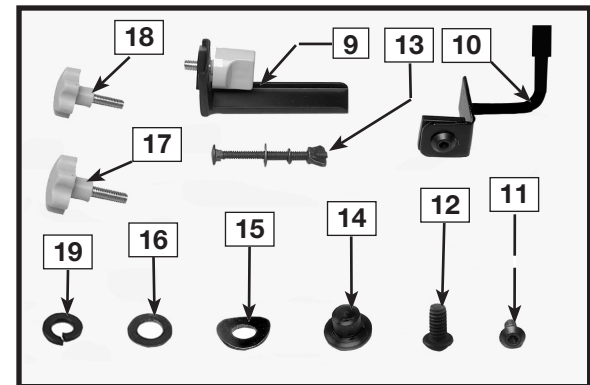
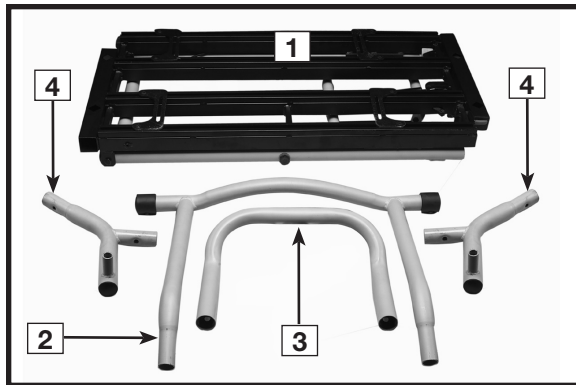
FOREWORD

The Model 36-136 is a stand designed to accommodate most miter saws and planers and to provide portability for those units, both in the field and in the shop.

UNPACKING AND CLEANING

Carefully unpack the product and all loose items from the shipping container(s). Lay the parts down on the floor so that all parts will be easily accessible during assembly.

CARTON CONTENTS



1. Stand
2. Leg Extension
3. Storage Foot
4. Wheel/Storage Foot Connector (L & R)
5. Extension Roller (2)
6. Handle
7. Wheel (2)
8. Axle (2)
9. Adjustable Extension Fence (2)
10. Cord Wrap Brackets (2)
11. M8 x 15 mm Buttonhead Screw (6)
12. M8 x 25 mm Buttonhead Screw (2)
13. Attachment Bolt Assembly (4)
14. Roller Extension End Cap (4)
15. Curved Washer (6)
16. Flat Washer (2)
17. Extension Locking Knob (2)
18. Roller Extension Locking Knob (2)
19. M8 Lockwasher (2)

ASSEMBLY

⚠ WARNING **PINCH HAZARD.** Do not attempt to raise or lower stand during assembly. There is a risk of a finger pinch hazard.

ATTACHING THE LEG EXTENSION

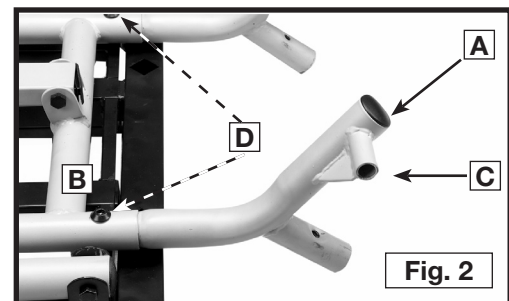
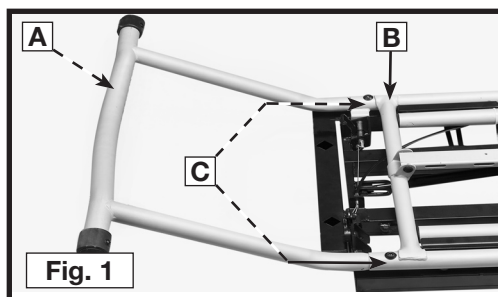
Place the stand on a table or the floor, upside down.

1. Insert the Leg extension (A) Fig. 1 in the stand (B).
2. Align the holes and install two M8 x 15 mm buttonhead screws with curved washers (C).
3. Tighten securely with the supplied hex wrench.

NOTE: The supplied hex wrench comes in the wrench storage, located in the corner of the stand, directly above one of the wheels (See Fig. 9).

ATTACHING THE WHEEL AND STORAGE FOOT CONNECTOR

1. Insert the wheel/storage-foot connector (A) Fig. 2 to the stand (B). Place it so that the wheel extension (C) faces outward.
2. Align the holes and loosely install two M8 x 15 mm buttonhead screws with curved washers (D) for further adjustment.
3. Attach the other connector in the same manner.



ATTACHING THE WHEELS

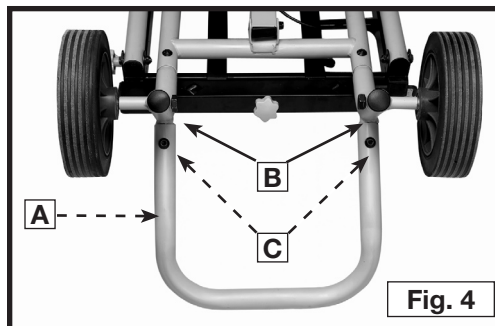
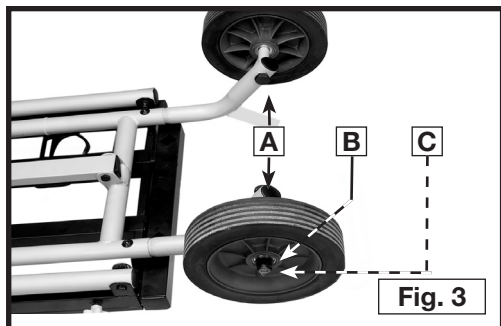
1. Insert the axle (A) Fig. 3 from the inside of the wheel/storage-foot connector
2. Place one of the wheels on the axle with the longer side of the wheel hub facing inward.
3. Place the washer (B) on the axle and attach the nut (C). Tighten the nut.

NOTE: Do not overtighten. Wheel rotation can be impaired.

4. Attach the other wheel in the same manner.

ATTACHING THE STORAGE FOOT

1. Place the storage foot (A) Fig. 4 over the indentions of the wheel and storage-foot connector (B) so that, when the stand is upright, the storage foot will angle upward.
2. Align the holes and install two M8 x 15 mm buttonhead screws with the curved washers (C).
3. Tighten securely with the supplied hex wrench.
4. Securely tighten the storage-foot connector screws that were loosely tightened in **STEP 3** of "ATTACHING THE WHEEL AND STORAGE FOOT CONNECTOR".

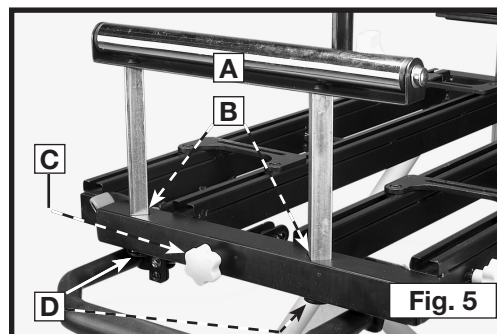


ATTACHING THE EXTENSION ROLLERS

Turn the stand right side up.

1. Remove the foam plugs from the four extension holes.
2. Install an extension roller (A) Fig. 5 in the holes (B).
3. Install one of the longer lock-knobs with a flat washer (C) Fig. 5. This lock-knob will lock the vertical movement of the extension roller.
4. Insert an extension roller end cap (D) in the bottom of both legs of the extension roller (A) and tap it in with a rubber mallet. Ensure that the tabs on the end caps are aligned with the holes in the legs.
5. Install the other extension roller in the same manner.

NOTE: Raise the extension roller above the handle so that the extension can clear the handle.



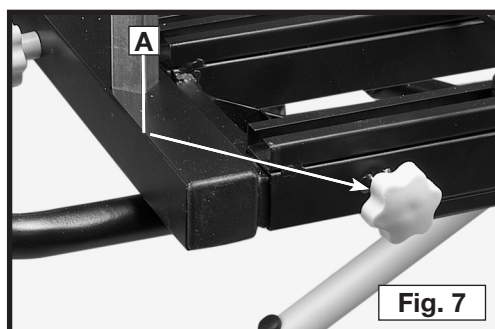
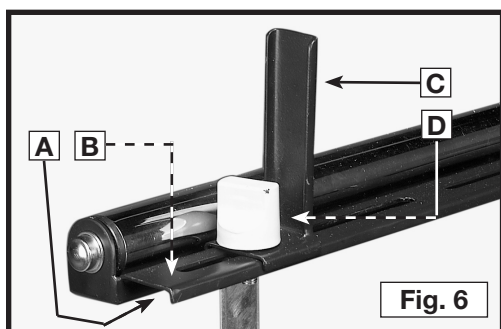
ATTACHING THE ADJUSTABLE EXTENSION FENCE

1. Insert the square nut (supplied with the extension fence) in the opening (A) Fig. 6 of the extension roller shelf (B).
2. Place the extension fence (C) on top of the shelf (B) and align the hole in the fence with the hole in the square nut.
3. Insert the lock-knob (D) through the fence (C) and the shelf (B) and into the square nut.
4. Tighten securely.

NOTE: The fence can turn in either direction depending on your application. Toward you, the fence becomes an extension of the saw fence. Facing away from you, the fence can work as a guide.

ATTACHING THE HORIZONTAL LOCK KNOBS

Install the two shorter lock-knobs (one shown at (A) Fig. 7) in the holes located on the front and rear of both sides of the stand. These lock-knobs lock the movement of the extension rollers.

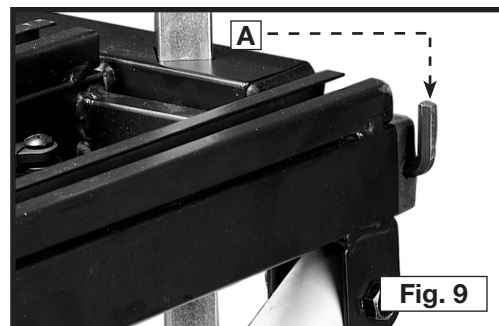
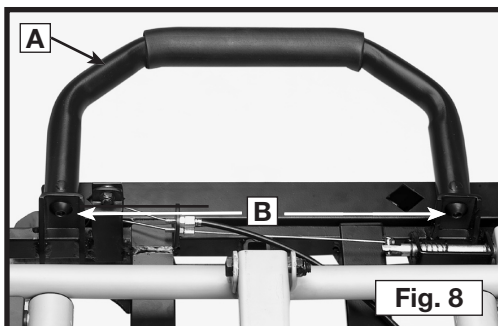


ATTACHING THE HANDLE

1. Attach the handle (A) Fig. 8 to the end of the stand opposite the wheels with the two M8 x 25 mm buttonhead screws (B) and lockwashers from the inside.
2. Tighten securely with the supplied hex wrench.

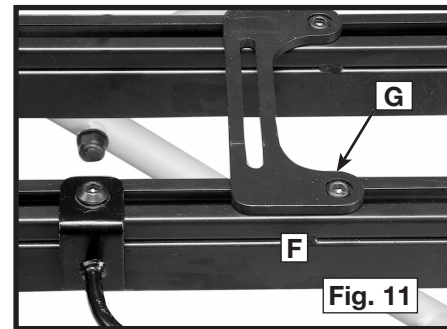
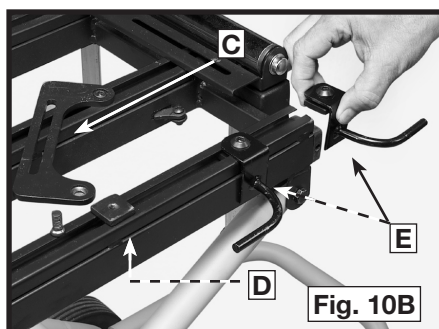
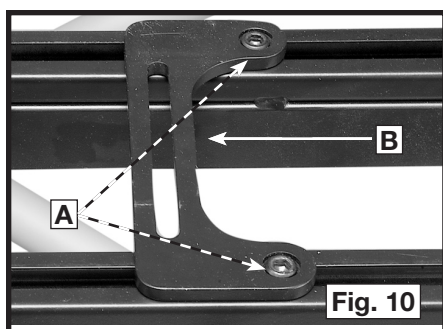
WRENCH STORAGE

The supplied hex wrench (A) Fig. 9 comes in the wrench storage, located in the corner of the stand, directly above one of the wheels



ATTACHING THE CORD WRAPS

1. Use the supplied hex wrench to loosen the screws (A) Fig. 10 of the moveable saw connector (B).
2. Slide the moveable saw connector (C) Fig. 10B out of the shelf.
3. Slide the cord wraps (E) Fig. 10B on the shelf (D). Place the cord wraps in opposite positions (Fig. 10B) to hold the cord securely.
4. Place the cord wraps inside the moveable cord connectors and use the supplied hex wrench to tighten them securely.
5. Replace the saw connector (D) Fig. 10B in the shelf (F) Fig. 11 back in its original position.
6. Use the supplied hex wrench to tighten the screws securely.



ATTACHING THE TOOL

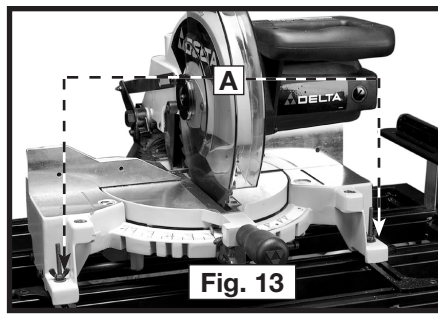
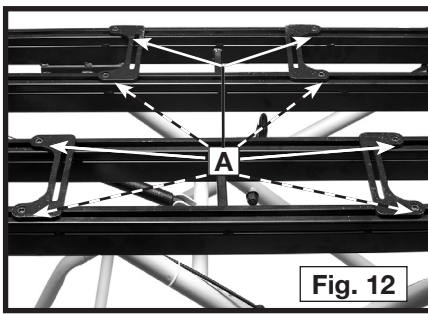
▲WARNING Refer to your tool manufacturer's instructions regarding the securing of your miter saw or planer to a stand or supporting surface. Secure the tool according to both the instructions in this manual and those in your tool manufacturer's manual before operating.

1. Loosen (but do not remove) the hex nuts on each of the moveable connector bases (A) Fig. 12.
2. Place the miter saw or planer on the stand on top of the moveable connector bases. Align the holes of the tool and of the connectors and insert the attachment bolts from the bottom. Attach the washer, then the lock washer, then the wing nut.
3. Center your tool, both forward and backward and side to side, on the stand.
4. Securely tighten the wing nuts (A) Fig. 13 and the hex nuts on the connectors (A) Fig. 12.

NOTE: The attachment bolts included with this unit (two are shown at (A) Fig. 13) are designed to work with the larger miter saws, and may interfere with the operation of your tool. If so, purchase a shorter bolt of the same size for your unit.

NOTE: For tools that do not fit on the connectors, mount the tool on a piece of 3/4" or thicker plywood, then mount the plywood to the stand. To allow the plywood to sit flush on the supporting surface, be certain that the mounting screws do not go all the way through the plywood. When you use this method, place the clamps only where the mounting screw holes are located. Any other locations will interfere with the proper operation of the tool.

CAUTION To prevent binding and/or inaccuracy, be sure that the mounting surface is not warped or uneven. If the tool rocks on the mounting surface, place a small piece of material under one of the tool feet to make the tool sit firmly on the mounting surface.



PRODUCT STABILITY TEST

The Universal Miter Saw/Planer stand is designed to be used in conjunction with a wide variety of miter saws, compound miter saws, sliding compound miter saws, and planers.

⚠ WARNING Any tool used with this stand must be properly positioned and secured to ensure stability and to prevent inadvertent tipping.

⚠ WARNING Mount your planer as shown in Fig. 14 to assure maximum stability.

To confirm the stability of your unit:

⚠ WARNING To reduce the risk of serious personal injury, turn tool off and disconnect tool from power source before installing and removing accessories, before adjusting or changing set-ups or when making repairs. An accidental start-up can cause injury.

⚠ WARNING Use two or more people to perform the stability test.

⚠ CAUTION Raise the cuttinghead for all miter saws, compound miter saws, and sliding compound miter saws. Lock all sliding compound miter saws in the rear position.

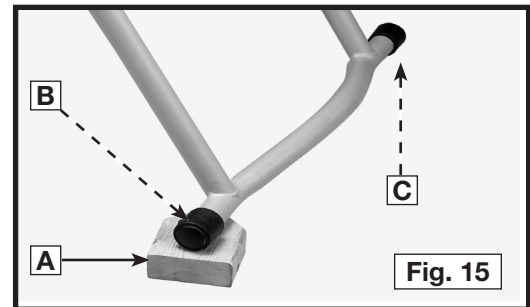
1. Place a 2-1/2" thick block of wood (A) Fig. 15 under the front leg (B) of the stand so that the front leg is raised 2-1/2" off the floor.
2. With one person in front of the stand, and the other person behind, lift the front of the stand slightly, remove the block of wood, and allow the stand to fall forward.

⚠ WARNING Stay alert. The stand may tip during this procedure.

3. Perform this same test with the block of wood under the rear leg (C) Fig. 15.

⚠ WARNING Stay alert. The stand may tip during this procedure.

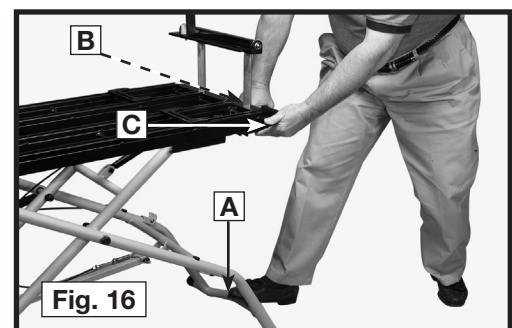
4. If the stand tends to tip to the front, reposition the tool toward the rear of the stand. If the stand tends to tip to the rear, reposition the tool forward. Make your adjustment, then repeat the test.



OPERATION

TO RAISE AND LOWER THE STAND

1. Place your right foot on the bottom of the extension leg (A) Fig. 16.
2. Grasp the handle (B) Fig. 16 with both hands.
3. Use the thumb of your left hand to push down on the red activating lever (C).
4. Lift up on the handle to release the safety mechanism, then raise or lower the stand. It will automatically lock into place.



NOTE: The stand will adjust to two heights. Try both, select the one that fits you, and lock it in place.

NOTE: The stand has a gas-controlled cylinder that aids in raising the stand. To put the stand in the "down" position, push down on the red activating lever, lift up on the handle, then exert downward pressure on the handle.

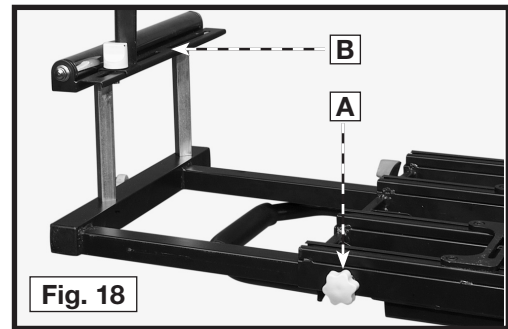
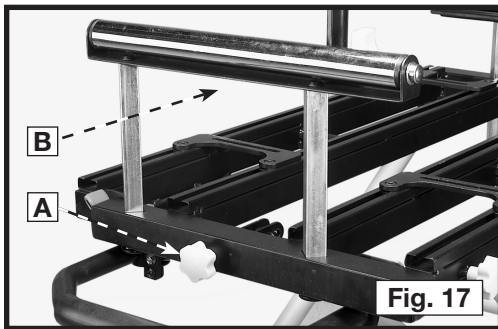
⚠ CAUTION To reduce the risk of injury, keep both hands on handle when raising and lowering the stand. The stand has gas assist lifting and may raise unexpectedly when lever is released.

TO EXTEND THE EXTENSION ROLLERS

1. Turn the horizontal extension lock knob (A) Fig. 18 counter-clockwise.
2. Move the extension roller (B) Fig. 18 out or in, depending on the length of the workpiece.
3. Tighten the horizontal extension lock knob.

TO RAISE AND LOWER THE EXTENSION ROLLERS

1. Turn the vertical extension lock knob (A) Fig. 17 counter-clockwise.
2. Raise or lower the extension roller (B) to match the height of the saw table.
3. Tighten the vertical extension lock knob.



TROUBLESHOOTING

For assistance with your machine, visit our website at www.deltaportercable.com for a list of service centers or call the DELTA Machinery help line at 1-800-223-7278 (In Canada call 1-800-463-3582).

SERVICE

REPLACEMENT PARTS

Use only identical replacement parts. For a parts list or to order parts, visit our website at servicenet.deltamachinery.com. You can also order parts from your nearest factory-owned branch, or by calling our Customer Care Center at 1-800-223-7278 to receive personalized support from highly-trained technicians.

FREE WARNING LABEL REPLACEMENT

If your warning labels become illegible or are missing, call 1-800-223-7278 for a free replacement.

<p>⚠ CAUTION</p> <p>KEEP BOTH HANDS ON HANDLE WHILE RAISING AND LOWERING STAND. STAND HAS GAS ASSIST LIFTING AND MAY RAISE UNEXPECTEDLY WHEN LEVER IS RELEASED.</p>	<p>⚠ ATENCIÓN</p> <p>MANTENGA AMBAS MANOS EN EL MANGO AL ELEVAR Y BAJAR LA BASE. LA BASE TIENE UN SISTEMA DE ELEVACIÓN ASISTIDA POR GAS Y PUEDE ELEVARSE EN FORMA INESPERADA AL SOLTAR LA PALANCA.</p>	<p>⚠ ATTENTION</p> <p>GARDER LES DEUX MAINS SUR LA POIGNÉE AU MOMENT DE RELEVER OU D'ABAISSER LE SOCLE. LE SOCLE EST DOTÉ D'UN DISPOSITIF DE LEVAGE AU GAZ QUI PEUT SE RELEVER SOUDAINEMENT LORSQUE LE LEVIER EST RELÂCHÉ.</p>
----------------------------------------------------------------------------------------------------------------------------------------------------------------------------	---------------------------------------------------------------------------------------------------------------------------------------------------------------------------------------------------------------	---------------------------------------------------------------------------------------------------------------------------------------------------------------------------------------------------------------------------------------

<p>⚠ WARNING</p> <p>FOR YOUR OWN SAFETY, READ THE INSTRUCTION MANUAL.</p> <p>1. This product is designed to be used for minor cuts or abrasions that can be repaired with a personal first aid kit.</p> <p>2. Do not stand on or use the product as a step ladder or work platform.</p> <p>3. Make sure that tools are properly secured before use.</p> <p>4. Place on flat and level surface.</p> <p>5. Place on flat and level surface.</p> <p>6. Caution when using the product to avoid injury to hands or feet.</p> <p>7. Do not use the product for any purpose other than intended use.</p>	<p>⚠ ADVERTENCIA</p> <p>PAR SU PROPIA SEGURIDAD, LEA Y COMPRENDA EL MANUAL DE INSTRUCCIONES ANTES DE UTILIZAR EL PRODUCTO.</p> <p>1. Este producto está diseñado para ser utilizado con fines de corte y raspado menores que pueden ser reparados con un kit de primeros auxilios personal.</p> <p>2. No se debe estar de pie sobre el producto ni utilizarlo como escalera o plataforma de trabajo.</p> <p>3. Asegúrese de que las herramientas estén correctamente aseguradas antes de utilizarlas.</p> <p>4. Coloque el producto sobre una superficie plana y nivelada.</p> <p>5. Coloque la herramienta sobre una superficie plana y nivelada.</p> <p>6. Tenga cuidado al utilizar el producto para evitar lesiones en las manos o en los pies.</p> <p>7. No utilice el producto para ningún propósito que no sea el uso previsto.</p>	<p>⚠ AVERTISSEMENT</p> <p>POUR VOTRE PROPRE SÉCURITÉ, LIRE LE MODE D'EMPLOI AVANT D'UTILISER LE PRODUIT.</p> <p>1. Ce produit est conçu pour être utilisé avec des outils à main pour des coupures et égratoures qui peuvent être réparées avec un kit de premiers soins personnel.</p> <p>2. Ne pas se tenir sur le produit ni l'utiliser comme échelle ou plateforme de support de travail.</p> <p>3. Ne pas se tenir sur les pieds du produit.</p> <p>4. S'assurer que l'outil est correctement fixé avant utilisation.</p> <p>5. Placer le produit sur une surface plane et à niveau.</p> <p>6. Prendre garde à ne pas se blesser les mains ou les pieds en utilisant le produit.</p> <p>7. Ne pas utiliser le produit pour un autre usage que prévu.</p>
-----------------------------------------------------------------------------------------------------------------------------------------------------------------------------------------------------------------------------------------------------------------------------------------------------------------------------------------------------------------------------------------------------------------------------------------------------------------------------------------------------------------------------------------------------------------------------------------------------------	---------------------------------------------------------------------------------------------------------------------------------------------------------------------------------------------------------------------------------------------------------------------------------------------------------------------------------------------------------------------------------------------------------------------------------------------------------------------------------------------------------------------------------------------------------------------------------------------------------------------------------------------------------------------------------------------------------------------------------------------------------------------------------------------------------------------------------------------------	----------------------------------------------------------------------------------------------------------------------------------------------------------------------------------------------------------------------------------------------------------------------------------------------------------------------------------------------------------------------------------------------------------------------------------------------------------------------------------------------------------------------------------------------------------------------------------------------------------------------------------------------------------------------------------------------------------------------------------------------------------------------

SERVICE AND REPAIRS

All quality tools will eventually require servicing and/or replacement of parts. For information about Delta Machinery, its factory-owned branches, or an Authorized Warranty Service Center, visit our website at www.deltaportercable.com or call our Customer Care Center at 1-800-223-7278. All repairs made by our service centers are fully guaranteed against defective material and workmanship. We cannot guarantee repairs made or attempted by others.

You can also write to us for information at Delta Machinery, 4825 Highway 45 North, Jackson, Tennessee 38305 - Attention: Product Service. Be sure to include all of the information shown on the nameplate of your tool (model number, type, serial number, etc.)

ACCESSORIES

A complete line of accessories is available from your Delta Supplier, Porter-Cable • Delta Factory Service Centers, and Delta Authorized Service Stations. Please visit our Web Site www.deltaportercable.com for a catalog or for the name of your nearest supplier.

⚠ WARNING: Since accessories other than those offered by Delta have not been tested with this product, use of such accessories could be hazardous. For safest operation, only Delta recommended accessories should be used with this product.

WARRANTY

To register your tool for warranty service visit our website at www.deltaportercable.com.

Two Year Limited New Product Warranty

Delta will repair or replace, at its expense and at its option, any new Delta machine, machine part, or machine accessory which in normal use has proven to be defective in workmanship or material, provided that the customer returns the product prepaid to a Delta factory service center or authorized service station with proof of purchase of the product within two years and provides Delta with reasonable opportunity to verify the alleged defect by inspection. For all refurbished Delta product, the warranty period is 180 days. Delta may require that electric motors be returned prepaid to a motor manufacturer's authorized station for inspection and repair or replacement. Delta will not be responsible for any asserted defect which has resulted from normal wear, misuse, abuse or repair or alteration made or specifically authorized by anyone other than an authorized Delta service facility or representative. Under no circumstances will Delta be liable for incidental or consequential damages resulting from defective products. This warranty is Delta's sole warranty and sets forth the customer's exclusive remedy, with respect to defective products; all other warranties, express or implied, whether of merchantability, fitness for purpose, or otherwise, are expressly disclaimed by Delta.

LATIN AMERICA: This warranty does not apply to products sold in Latin America. For products sold in Latin America, see country specific warranty information contained in the packaging, call the local company or see website for warranty information.

LA PLATE-FORME UNIVERSELLE POUR SCIES À ONGLETS ET POUR RABOTEUSES

(Modele 36-136)



PART NO. 657645-00 - 10-27-07
Copyright © 2007 Delta Machinery



Pour apprendre plus de la MACHINERIE DE DELTA
visite notre site web à: www.deltaportercable.com.
Pour les Parties, le Service, la Garantie ou l'autre Assistance,
s'il vous plaît appeler **1-800-223-7278**
(Dans l'appel de Canada **1-800-463-3582**)

ENGLISH: PÁGINA 1
ESPAÑOL: PAGE 9

MESURES DE SÉCURITÉ - DÉFINITIONS

Ce guide contient des renseignements importants que vous deviez bien saisir. Cette information porte sur **VOTRE SÉCURITÉ** et sur **LA PRÉVENTION DE PROBLÈMES D'ÉQUIPEMENT**. Afin de vous aider à identifier cette information, nous avons utilisé les symboles ci-dessous. Veuillez lire attentivement ce guide en portant une attention particulière à ces sections.

▲ DANGER

Indique un danger imminent qui, s'il n'est pas évité, causera de graves blessures ou la mort.

▲ AVERTISSEMENT :

Indique la possibilité d'un danger qui, s'il n'est pas évité, pourrait causer de graves blessures ou la mort.

▲ MISE EN GARDE :

Indique la possibilité d'un danger qui, s'il n'est pas évité, peut causer des dommages à la propriété.

MISE EN GARDE :

Sans le symbole d'alerte. Indique la possibilité d'un danger qui, s'il n'est pas évité, peut causer des dommages; mineurs ou moyennes.

RÈGLES DE SÉCURITÉ GÉNÉRALES



▲ AVERTISSEMENT

Lisez le Guide de l'utilisateur. Ne tentez pas d'utiliser cet appareil avant d'avoir lu les directives sur la sécurité, l'assemblage, l'utilisation et l'entretien de ce Guide de l'utilisateur.

CONSERVER CES DIRECTIVES

▲ AVERTISSEMENT

Ce produit a été conçu pour les certaines applications seulement. La Machinerie de delta recommande fortement que ce produit n'ait pas modifié et/ou utilisé pour l'application autrement que pour qui il a été conçu. Si vous avez n'importe quelles questions relatives à une application particulière, **ne PAS** utilisez cette unité jusqu'à ce que vous avez le Delta premièrement contacté pour déterminer s'il peut ou devrait être exécuté sur le produit.

Technical Service Manager

Delta Machinery
4825 Highway 45 North
Jackson, TN 38305

(IN CANADA: 125 Mural St. Suite 300, Richmond Hill, ON, L4B 1M4)

▲ AVERTISSEMENT

Il y a risque de blessures corporelles graves si on ne suit pas ces consignes.

1. **CE PRODUIT A ÉTÉ CONÇU DE FAÇON À ÊTRE UTILISÉ COMME UNE PLATEFORME POUR SCIES À ONGLETS ET POUR RABOTEUSES.** La plateforme est capable de soutenir une charge de 300 livres (136 kg). En cas d'emploi erroné ou abusif de ce produit, ce dernier peut être endommagé et son utilisateur risque de subir des blessures corporelles.
2. **NE MONTEZ PAS SUR LA TABLE DE TRAVAIL** et ne vous servez pas des rallonges de support comme d'une échelle ou d'un échafaudage.
3. **FIXEZ CORRECTEMENT LA SCIE À ONGLETS OU LA RABOTEUSE À LA PLATEFORME DE SUPPORT** avant de les faire fonctionner.
4. **PLACEZ LA PLATEFORME DE SUPPORT SUR UNE SURFACE PLATE ET STABLE** pour qu'elle ne se balance pas et ne se renverse pas.
5. **SOYEZ PRUDENT PENDANT LE SOULÈVEMENT ET L'ABAISSEMENT DE CE PRODUIT;** cela réduira le danger de vous pincer les doigts ou les mains.

▲ MISE EN GARDE :

Pour réduire le risque de blessures, garder les deux mains sur la poignée au moment de relever ou d'abaisser le socle. Le socle est doté d'un dispositif de levage au gaz qui peut se relever soudainement lorsque le levier est relâché.

6. **INSPECTEZ LES PIEDS DE LA PLATEFORME ET LES AUTRES SUPPORTS** pour vérifier qu'ils sont correctement verrouillés en place avant de commencer la moindre opération.
7. **PORTEZ DES DISPOSITIFS DE PROTECTION DE LA VUE ET DE L'OUÏE. PORTEZ TOUJOURS DES LUNETTES DE SÉCURITÉ.** Les lunettes correctives ordinaires ne sont PAS des lunettes de sécurité. UTILISEZ DES ÉQUIPEMENTS DE SÉCURITÉ HOMOLOGUÉS. Les appareils de protection de la vue doivent être conformes aux normes ANSI Z87.1 Les appareils de protection de l'ouïe doivent être conformes aux normes ANSI S3.19.
8. **NE MODIFIEZ PAS** la plateforme, et ne l'utilisez pas, pour des opérations pour lesquelles elle n'a pas été conçue.

DESCRIPTION FONCTIONNELLE

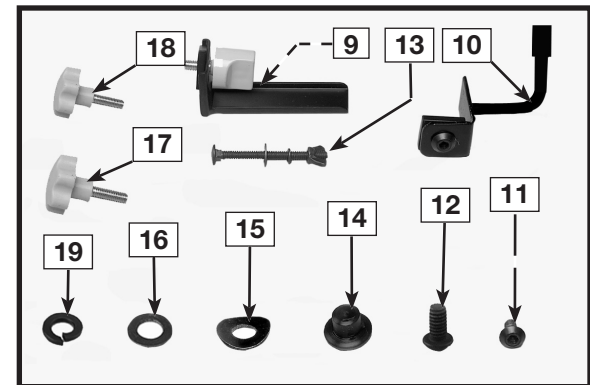
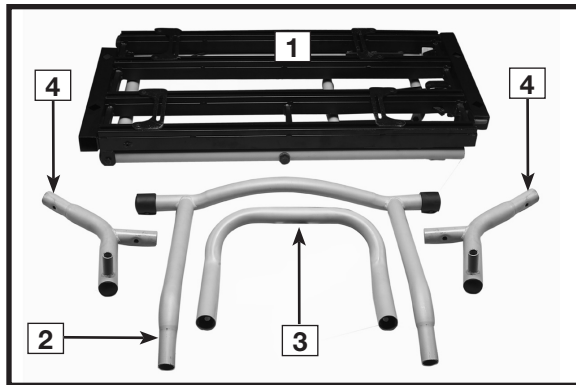
AVANT-PROPOS

La plateforme de support 36-136 est un modèle qui a été conçu pour accommoder la plupart des scies à onglets et des raboteuses ainsi que pour assurer la portabilité de ces appareils, aussi bien sur un chantier que dans un atelier.

UNPACKING AND CLEANING

Soigneusement déballer le produit et tous articles détachés du récipient d'expédition (les récipients). Poser les parties en bas par terre pour que toutes parties seront facilement accessibles pendant l'assemblée.

CONTENUS DE BOITE



1. Plateforme de support
2. Rallonge de pied
3. Pied de rangement
4. Raccord de roue / pied de rangement (droit et gauche)
5. Rouleaux de rallonge (2)
6. Poignée
7. Roues (2)
8. Essieux (2)
9. Guides de rallonge ajustables (2)
10. Crochets pour enrouler le cordon électrique (2)
11. Vis à tête ronde M8 x 15 mm (6)
12. Vis à tête ronde M8 x 25 mm (2)
13. Ensembles de boulons de fixation (4)
14. Capuchons d'extrémité de rouleaux de rallonge (4)
15. Rondelles d'appui courbées (6)
16. Rondelles plates (2)
17. Boutons de verrouillage de rallonge (2)
18. Boutons de verrouillage de rouleaux de rallonge (2)
19. Rondelles de blocage M8 (2)

ASSEMBLAGE

⚠ AVERTISSEMENT **RISQUE DE PINCEMENT.** Ne pas essayer de relever ou d'abaisser le socle durant l'assemblage. Il y aurait alors un risque de pincement des doigts.

INSTALLATION DE LA RALLONGE DE PIED

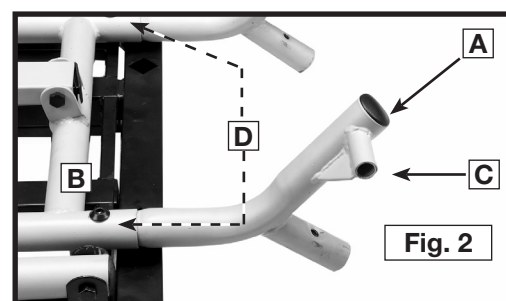
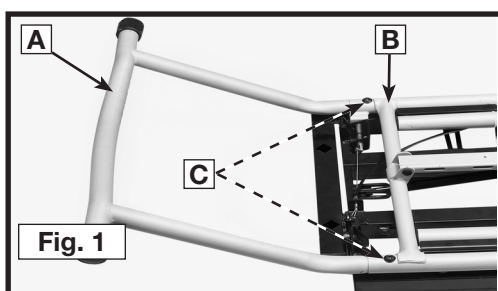
Placez la plateforme de support à l'envers sur une table ou sur le plancher.

1. Insérez la rallonge de pied (élément A de la figure 1) dans la plateforme (B).
2. Alignez les trous et installez deux vis à tête ronde M8 x 15 mm avec des rondelles d'appui courbées (C).
3. Serrez fermement avec la clé hexagonale qui vous a été fournie.

REMARQUE : la clé hexagonale qui vous a été fournie a été placée sur le dispositif de rangement pour les clés situé dans le coin de la plateforme de support, directement au-dessus d'une des roues (veuillez vous reporter à la figure 9).

INSTALLATION DU RACCORD DE ROUE / PIED DE RANGEMENT

1. Insérez le raccord de roue / pied de rangement (élément A de la figure 2) dans la plateforme (B). Placez-le de manière à ce que la rallonge de roue (C) soit orientée vers l'extérieur.
2. Alignez les trous et installez (sans les serrer très fort) deux vis à tête ronde M8 x 15 mm avec des rondelles d'appui courbées (C) en vue de réglages supplémentaires.
3. Installez l'autre raccord de la même façon.



INSTALLATION DES ROUES

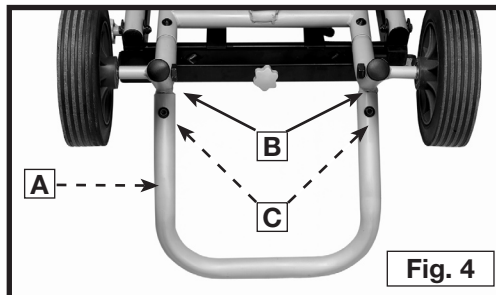
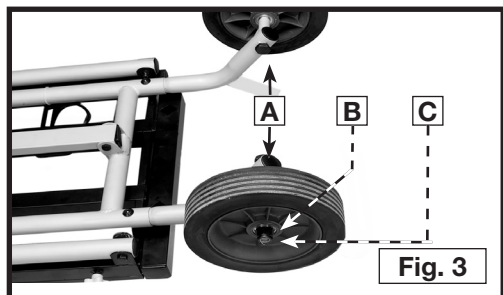
1. Insérez l'essieu (élément A de la figure 3) depuis l'intérieur du raccord de roue / pied de rangement.
2. Placez une des roues sur l'essieu, le côté le plus long du moyeu de la roue étant orienté vers l'intérieur.
3. Placez la rondelle (B) sur le moyeu et installez l'écrou (C). Serrez l'écrou.

REMARQUE : ne serrez pas excessivement car cela pourrait empêcher la roue de tourner.

4. Installez l'autre roue de la même façon.

INSTALLATION DU PIED DE RANGEMENT

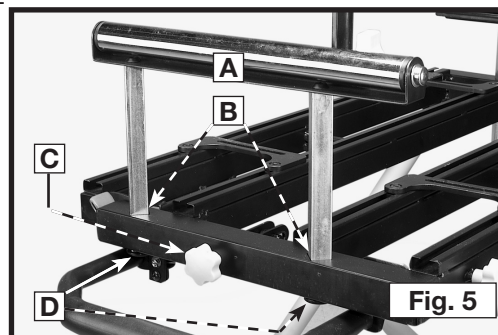
1. Placez le pied de rangement (élément A de la figure 4) sur les indentations du raccord de roue / pied de rangement (B) de manière à ce que, une fois que la plateforme de support aura été mise sur pied, le pied de rangement soit incliné vers le haut.
2. Alignez les trous et installez deux vis à tête ronde M8 x 15 mm avec des rondelles d'appui courbées (C).
3. Serrez fermement à l'aide de la clé hexagonale qui vous a été fournie.
4. Serrez fermement les vis du raccord de roue / pied de rangement qui n'ont été que légèrement serrées à l'ÉTAPE 3 de la section intitulée "INSTALLATION DU RACCORD DE ROUE / PIED DE RANGEMENT"



INSTALLATION DES ROULEAUX DE RALLONGE

Retournez la plateforme pour la mettre à l'endroit.

1. Retirez les bouchons en mousse des quatre trous des rallonges.
2. Placez un rouleau de rallonge (élément A de la figure 5) dans les trous (B).
3. Installez l'un des boutons de blocage les plus longs avec une rondelle plate (élément C de la figure 5). Ce bouton de blocage rendra impossible tout mouvement vertical du rouleau de rallonge.
4. Insérez un capuchon d'extrémité de rouleau de rallonge (D) dans le bas de chaque pied du rouleau de rallonge (A) ; tapotez à l'aide d'un maillet en caoutchouc pour le faire rentrer à fond. Vérifiez que les languettes sur les capuchons d'extrémité sont alignées avec les trous qui ont été pratiqués dans les pieds.
5. Installez l'autre rouleau de rallonge de la même façon.



REMARQUE : élevez le rouleau de rallonge au-dessus de la poignée de manière à ce que la rallonge n'entre pas en contact avec la poignée.

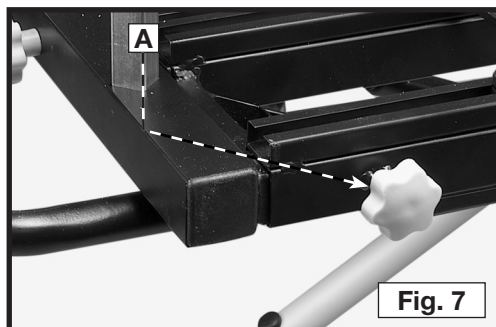
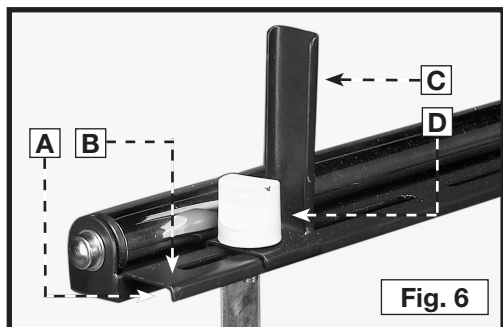
INSTALLATION DU GUIDE DE RALLONGE RÉGLABLE

1. Insérez l'écrou carré (qui vous a été fourni avec le guide de rallonge) dans l'ouverture (élément A de la figure 6) de la plaque de support du rouleau de rallonge (B).
2. Placez le guide de rallonge (C) sur le dessus de la plaque de support (B) et alignez le trou dans le guide avec celui de l'écrou carré.
3. Insérez le bouton de blocage (D) à travers le guide (C) et la plaque de support (B), ainsi que dans l'écrou carré.
4. Serrez fermement.

REMARQUE : Le guide peut tourner dans un sens ou dans l'autre en fonction de votre opération : dans votre direction (le guide devient un prolongement du guide de la scie) ou dans la direction opposée (le guide remplit simplement sa fonction de guidage).

INSTALLATION DES BOUTONS DE BLOCAGE HORIZONTAL

Placez les deux boutons de blocage les plus courts (dont un est illustré comme élément A de la figure 7) dans les trous situés à l'avant et à l'arrière des deux côtés de la plateforme de support. Ces boutons de blocage ont pour fonction de bloquer le mouvement des rouleaux de rallonge.

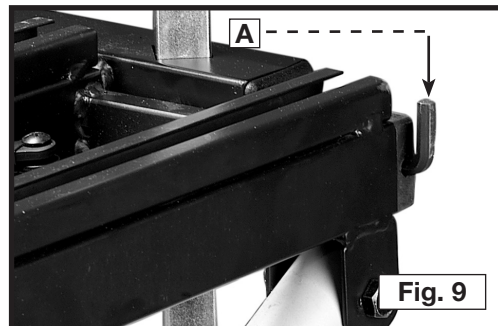
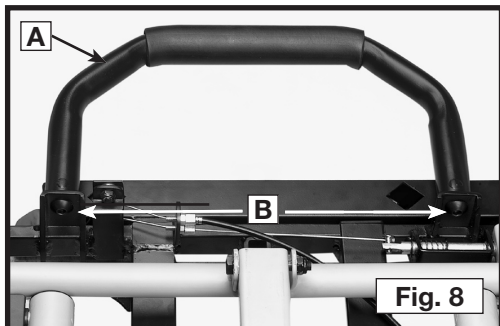


INSTALLATION DE LA POIGNÉE

1. Fixez la poignée (élément A de la figure 8) sur l'extrémité de la plateforme de support opposée aux roues à l'aide des deux vis à tête ronde M8 x 25 mm (B) et des deux rondelles de blocage, depuis l'intérieur.
2. Serrez fermement à l'aide de la clé hexagonale qui vous a été fournie.

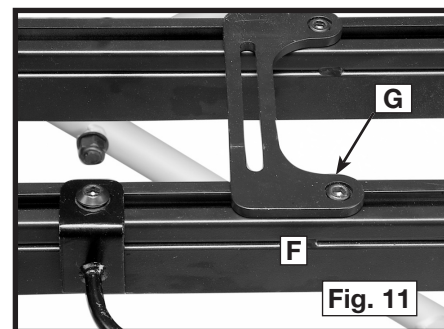
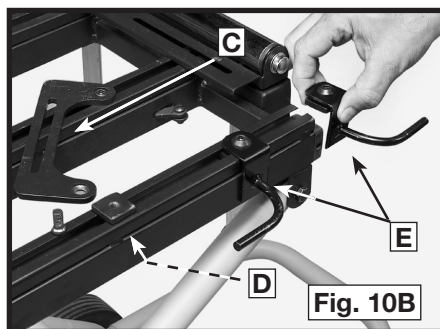
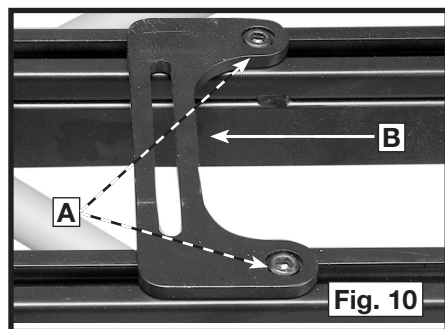
INSTALLATION DU DISPOSITIF DE RANGEMENT POUR LES CLÉS

La clé hexagonale qui vous a été fournie (élément A de la figure 9) a été placée sur le dispositif de rangement pour les clés situé dans le coin de la plateforme de support, directement au-dessus d'une des roues.



INSTALLATION DES CROCHETS POUR ENROULER LE CORDON ELECTRIQUE

1. Utilisez la clé hexagonale qui vous a été fournie pour desserrer les vis (éléments A de la figure 10) du connecteur de scie amovible (B).
2. Faites glisser le connecteur de scie amovible (élément C de la figure 10B) jusqu'à ce qu'il sorte de l'étagère d'appui.
3. Faites glisser les crochets pour enrouler le cordon électrique (éléments E de la figure 10B) sur l'étagère d'appui (D). Placez les crochets dans des positions opposées (cf. figure 10B) pour pouvoir tenir fermement le cordon électrique.
4. Placez les crochets pour enrouler le cordon électrique à l'intérieur des connecteurs amovibles et utilisez la clé hexagonale qui vous a été fournie pour les serrer fermement.
5. Remettez le connecteur de scie (élément D de la figure 10B) dans sa position originale sur l'étagère d'appui (élément F de la figure 11).
6. Utilisez la clé hexagonale qui vous a été fournie pour serrer fermement les vis.



INSTALLATION DE L'OUTIL

▲ AVERTISSEMENT Veuillez vous reporter aux instructions du fabricant de votre outil en ce qui concerne la fixation de votre scie à onglet ou de votre raboteuse sur une plateforme ou sur une surface de support. Assujettissez l'outil en suivant à la fois les instructions contenues dans ce mode d'emploi et celles qui sont contenues dans le mode d'emploi du fabricant de votre outil avant de mettre l'outil en marche.

1. Desserrez, mais ne retirez pas, les écrous à six pans sur chacune des bases des connecteurs amovibles (éléments A de la figure 12).
2. Placez la scie à onglets ou la raboteuse sur la plateforme de support en dessus des bases des connecteurs amovibles. Alignez les trous sur l'outil avec ceux des connecteurs amovibles et insérez les boulons de fixation depuis le dessous. Fixez la rondelle, puis la rondelle de blocage, puis l'écrou à oreilles.
3. Centrez votre outil sur la plateforme de support (centrage latéral et longitudinal).
4. Serrez fermement les écrous à oreilles (éléments A de la figure 13) et les écrous à six pans sur les connecteurs (éléments A de la figure 12).

REMARQUE : les boulons de fixation qui ont été fournis avec cet appareil (dont deux sont illustrés comme éléments A de la figure 13), ont été conçus pour être compatibles avec les scies à onglets de grande taille, et il est possible qu'ils gênent le fonctionnement de votre outil. Si c'est le cas, achetez un écrou plus court du même calibre pour votre appareil.

REMARQUE : pour les outils qui ne sont pas compatibles avec les connecteurs, montez l'outil sur un pan de contreplaqué d'une épaisseur supérieure ou égale à 3/4 po, puis montez le contreplaqué sur la plateforme de support. Pour permettre au pan de contreplaqué de reposer de niveau sur la surface de support, veillez à ce que les vis de montage ne traversent pas complètement le pan de contreplaqué. Quand vous utilisez cette méthode, placez les colliers de serrage uniquement aux emplacements des trous réservés aux vis de montage. S'ils étaient placés ailleurs, cela empêcherait l'outil de fonctionner correctement.

▲ MISE EN GARDE : Pour empêcher des blocages et/ou un manque de précision, veillez à ce que la surface de montage ne soit pas voilée ou inégale. Si l'outil se balance sur la surface de montage, placez un petit morceau de matériau sous l'un des pieds de l'outil de façon que l'outil soit fermement assis sur la surface de montage.

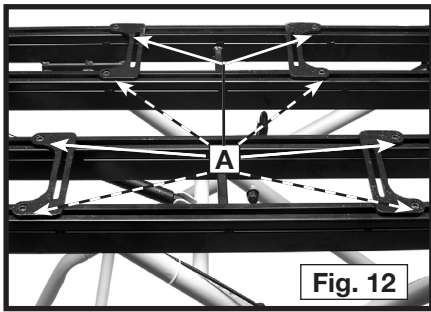


Fig. 12

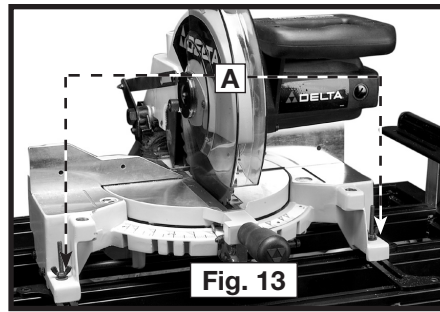


Fig. 13



Fig. 14

COMMENT TESTER LA STABILITÉ DE L'OUTIL

La plateforme de support universelle pour scies à onglets et raboteuses a été conçue de façon à pouvoir être utilisée en conjonction avec une variété de scies à onglets, de scies à onglets composés, de scies à onglets composés coulissantes et de raboteuses.

⚠ AVERTISSEMENT : Tout outil utilisé avec cette plateforme de support doit être positionné et assujéti correctement pour assurer qu'il reste stable et qu'il ne se renverse pas par erreur.

⚠ AVERTISSEMENT : Tout outil utilisé avec cette plateforme de support doit être positionné et assujéti correctement pour assurer qu'il reste stable et qu'il ne se renverse pas par erreur.

Pour confirmer la stabilité de votre appareil :

⚠ AVERTISSEMENT : Pour réduire le risque de blessures corporelles graves, éteindre l'outil et le débrancher avant d'installer et de retirer tout accessoire, avant d'ajuster ou de modifier les réglages ou lors de réparations. Un démarrage accidentel peut provoquer des blessures.

⚠ AVERTISSEMENT : Il faut un minimum de deux personnes pour réaliser le test de stabilité.

⚠ MISE EN GARDE : Soulevez la tête de coupe pour toutes les scies à onglets, scies à onglets composés et scies à onglets composés coulissantes. Verrouillez toutes les scies à onglets composés coulissantes dans la position arrière.

1. Placez un bloc en bois de 2,5 po d'épaisseur (élément A de la figure 15) sous le pied avant (B) de la plateforme de support de manière à soulever le pied avant de 2,5 po du sol.
2. Une personne se tenant à l'avant de la plateforme et une autre personne se tenant à l'arrière, soulevez légèrement le devant de la plateforme, retirez le bloc en bois et laissez la plateforme retomber vers l'avant.

⚠ AVERTISSEMENT : Soyez vigilant car la plateforme de support risque de se renverser pendant cette procédure.

3. Réalisez le même test en plaçant le bloc en bois sous le pied arrière (élément C de la figure 15).

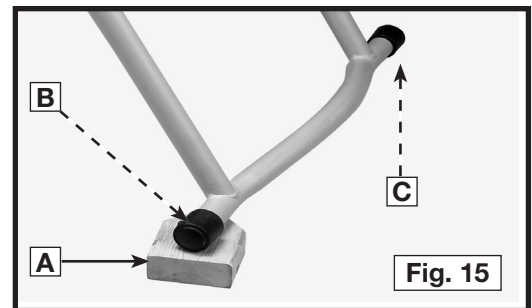


Fig. 15

⚠ AVERTISSEMENT : Soyez vigilant car la plateforme de support risque de se renverser pendant cette procédure.

4. Si la plateforme a tendance à tomber vers l'avant, repositionnez l'outil plus loin vers l'arrière de la plateforme. Si la plateforme a tendance à tomber vers l'arrière, repositionnez l'outil plus loin vers l'avant. Effectuez votre réglage, puis répétez le test.

FONCTIONNEMENT

TO RAISE AND LOWER THE STAND

1. Placez votre pied droit sur la partie inférieure de la jambe de rallonge (élément A de la figure 16).
2. Saisir la poignée (B), fig. 16, des deux mains.
3. Descendre le levier d'activation rouge (C) avec le pouce de la main gauche.
4. Soulevez la poignée afin de relâcher le mécanisme de sécurité, puis élevez ou abaissez la plateforme de support ; elle se verrouillera auto-matiquement en place.

REMARQUE : la plateforme peut s'ajuster à deux hauteurs. Essayez chacune, choisissez celle qui vous convient le mieux et verrouillez.

REMARQUE : un cylindre de type pneumatique aide à élever la plateforme. Pour mettre la plateforme dans la position abaissée, poussez le levier d'activation rouge vers le bas, soulevez la poignée et appliquez une pression descendante sur la poignée

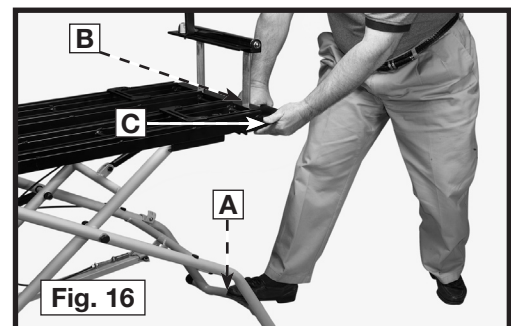


Fig. 16

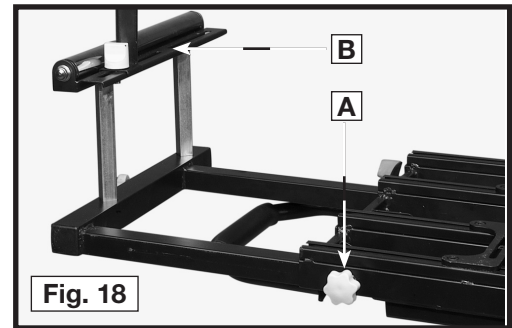
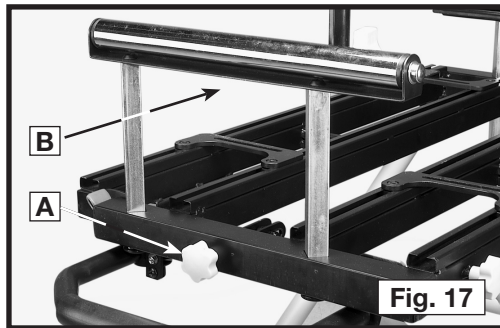
⚠ MISE EN GARDE : Pour réduire le risque de blessures, garder les deux mains sur la poignée au moment de relever ou d'abaisser le socle. Le socle est doté d'un dispositif de levage au gaz qui peut se relever soudainement lorsque le levier est relâché.

COMMENT ALLONGER LES ROULEAUX DE RALLONGE

1. Faites tourner le bouton de blocage du mouvement horizontal du rouleau de rallonge (élément A de la figure 18) dans le sens inverse des aiguilles d'une montre.
2. Déplacez le rouleau de rallonge (élément B de la figure 18) vers l'extérieur ou vers l'intérieur, selon la longueur de la pièce à travailler.
3. Serrez le bouton de blocage du mouvement horizontal du rouleau de rallonge.

COMMENT ÉLEVER ET ABAISSER LES ROULEAUX DE RALLONGE

1. Faites tourner le bouton de blocage du mouvement vertical du rouleau de rallonge (élément A de la figure 17) dans le sens inverse des aiguilles d'une montre.
2. Élevez ou abaissez le rouleau de rallonge (B) pour qu'il corresponde à la hauteur de la table de la scie.
3. Serrez le bouton de blocage du mouvement vertical du rouleau de rallonge.



DEPANNAGE

Pour l'assistance avec votre outil, visiter notre site web à www.deltaportercable.com pour une liste de centres de maintenance ou appeler la ligne d'aide de Delta Machinery à 1-800-223-7278. (Canada: 1-800-463-3582).

SERVICE

PIÈCES DE RECHANGE

Utiliser seulement des pièces de rechange identiques. Pour obtenir une liste des pièces de rechange ou pour en commander, consulter notre site Web au servicenet.deltamachinery.com. Commander aussi des pièces auprès d'une succursale d'usine ou composer le 1-800-223-7278 pour le service à la clientèle et recevoir ainsi une assistance personnalisée de techniciens bien formés.

REPLACEMENT GRATUIT DE L'ÉTIQUETTE

Si vos étiquettes d'avertissement deviennent illisibles ou sont manquantes, composez le 1-800-223-7278 pour obtenir une étiquette de remplacement gratuite.

<p>⚠ CAUTION</p> <p>KEEP BOTH HANDS ON HANDLE WHILE RAISING AND LOWERING STAND. STAND HAS GAS ASSIST LIFTING AND MAY RAISE UNEXPECTEDLY WHEN LEVER IS RELEASED.</p>	<p>⚠ ATENCIÓN</p> <p>MANTENGA AMBAS MANOS EN EL MANGO AL ELEVAR Y BAJAR LA BASE. LA BASE TIENE UN SISTEMA DE ELECCIÓN ASISTIDA POR GAS Y PUEDE ELEVARSE EN FORMA INESPERADA AL SOLTAR LA PALANCA.</p>	<p>⚠ ATTENTION</p> <p>GARDER LES DEUX MAINS SUR LA POIGNÉE AU MOMENT DE RELEVER OU D'ABAISSER LE SOCLE. LE SOCLE EST DOTÉ D'UN DISPOSITIF DE SOCLE AU GAZ QUI PEUT SE RELEVER SOUDAINEMENT LORSQUE LE LEVIER EST RELÂCHÉ.</p>
----------------------------------------------------------------------------------------------------------------------------------------------------------------------------	--------------------------------------------------------------------------------------------------------------------------------------------------------------------------------------------------------------	--------------------------------------------------------------------------------------------------------------------------------------------------------------------------------------------------------------------------------------

<p>⚠ WARNING FOR YOUR OWN SAFETY, READ THE INSTRUCTION MANUAL. 1. This product is designed for use by trained personnel only. Any misuse or abuse can result in personal injury or death. 2. Do not stand on or use the product as a step ladder or scaffolding. 3. Make sure that tool is properly secured before use. 4. Place on flat and level surface. 5. Caution when using the product. The handle is made to swing and catch the workpiece. The extended, extension work handle is not to be used. 6. All knobs are tight before use.</p>	<p>⚠ ADVERTENCIA SER SU PROPIA SEGURIDAD. 1. LEYÁ COMPRIENDA EL MANUAL DE INSTRUCCIONES ANTES DE UTILIZAR EL PRODUCTO. 2. Este producto está diseñado para ser utilizado por personal capacitado. Cualquier uso indebido puede resultar en lesiones personales o la muerte. 3. No se debe estar ni utilizar el producto como escalera o andamios. 4. Coloque el producto sobre una superficie plana y nivelada. 5. Precaución al utilizar el producto. El mango está diseñado para girar y atrapar la pieza de trabajo. El mango extendido no debe utilizarse. 6. Todos los botones deben estar apretados antes de utilizar el producto.</p>	<p>⚠ AVERTISSEMENT POUR VOTRE PROPRE SÉCURITÉ, LIREZ LE MANUE D'INSTRUCTION. 1. Ce produit est conçu pour être utilisé avec des personnes qualifiées. Toute utilisation abusive peut entraîner des blessures graves ou la mort. 2. Ne pas se tenir sur les produits ni les utiliser comme échelle ou échafaudage. 3. Assurez-vous que l'outil est correctement fixé avant utilisation. 4. Placez le produit sur une surface plane et à niveau. 5. Attention lors de l'utilisation du produit. La poignée est conçue pour pivoter et saisir la pièce de travail. La poignée prolongée ne doit pas être utilisée. 6. Tous les boutons de verrouillage doivent être serrés avant utilisation.</p>
--------------------------------------------------------------------------------------------------------------------------------------------------------------------------------------------------------------------------------------------------------------------------------------------------------------------------------------------------------------------------------------------------------------------------------------------------------------------------------------------------------------------------------------------------------------------------------------	---------------------------------------------------------------------------------------------------------------------------------------------------------------------------------------------------------------------------------------------------------------------------------------------------------------------------------------------------------------------------------------------------------------------------------------------------------------------------------------------------------------------------------------------------------------------------------------------------------------------------------------------------------------------------------	-----------------------------------------------------------------------------------------------------------------------------------------------------------------------------------------------------------------------------------------------------------------------------------------------------------------------------------------------------------------------------------------------------------------------------------------------------------------------------------------------------------------------------------------------------------------------------------------------------------------------------------------------------------------------------------------------------------------------------------

ENTRETIEN ET RÉPARATION

Tous les outils de qualité finissent par demander un entretien ou un changement de pièce. Pour de plus amples renseignements à propos de Delta Machinery, ses succursales d'usine ou un centre de réparation sous garantie autorisé, consulter notre site Web au www.deltaportercable.com ou composer le 1-800-223-7278 pour le service à la clientèle. Toutes les réparations effectuées dans nos centres de réparation sont entièrement garanties contre les défauts de matériaux et de main-d'oeuvre. Nous ne pouvons garantir les réparations effectuées en partie ou totalement par d'autres.

Pour de plus amples renseignements par courrier, écrire à Delta Machinery, 4825 Highway 45 North, Jackson, Tennessee 38305, É.-U. – à l'attention de : Product Service. S'assurer d'indiquer toutes les informations figurant sur la plaque signalétique de l'outil (numéro du modèle, type, numéro de série, etc.).

ACCESSOIRES

Une ligne complète des accessoires est fournie des centres commerciaux d'usine de par votre de Porter-Cable•Delta fournisseur, de Porter-Cable•Delta, et des stations service autorisées par Porter-Cable. Veuillez visiter notre site Web www.deltaportercable.com pour un catalogue ou pour le nom de votre fournisseur plus proche.

⚠ AVERTISSEMENT : Depuis des accessoires autre que ceux offerts par Porter-Cable•Delta n'ont pas été testés avec ce produit, utilisation de tels accessoires a pu être dangereuse. Pour l'exploitation sûre, seulement Porter-Cable•Delta a recommandé des accessoires devrait être utilisé avec ce produit.

GARANTIE

Pour enregistrer votre outil pour la garantie service la visite notre site Web à www.deltaportercable.com.

Garantie limitée de deux ans

Delta réparera ou remplacera, à ses frais et à sa discrétion, toute nouvelle machine Delta, pièce de rechange ou tout accessoire qui, dans des circonstances d'utilisation normale, s'est avéré défectueux en raison de défauts de matériau ou de fabrication, à condition que le client retourne le produit (transport payé d'avance) au centre de réparation de l'usine Delta ou à un centre de réparation autorisé accompagné d'une preuve d'achat et dans les deux ans de la date d'achat du produit, et fournisse à Delta une opportunité raisonnable de vérifier le défaut présumé par une inspection. La période de garantie des produits Delta réusinés est de 180 jours. Delta peut demander que les moteurs électriques soient retournés (transport payé d'avance) à un centre de réparation autorisé du fabricant du moteur en vue d'une inspection, d'une réparation ou d'un remplacement. Delta ne peut être tenu pour responsable des défauts résultants de l'usure normale, de la mauvaise utilisation, de l'abus, de la réparation ou de la modification du produit, sauf en cas d'autorisation spécifique d'un centre de réparation ou d'un représentant Delta autorisé. En aucune circonstance Delta ne peut être tenu pour responsable des dommages accidentels ou indirects résultant d'un produit défectueux. Cette garantie constitue la seule garantie de Delta et le recours exclusif des clients en ce qui concerne les produits défectueux ; toutes les autres garanties, expresses ou implicites, de qualité marchande, d'adéquation à un usage particulier, ou autre, sont expressément déclinées par Delta.

AMÉRIQUE LATINE : Cette garantie ne s'applique aux produits vendus en Amérique latine. Pour ceux-ci, veuillez consulter les informations relatives à la garantie spécifique présente dans l'emballage, appeler l'entreprise locale ou consulter le site Web pour les informations relatives à cette garantie.

Base Universal de Soporte Para Sierra Para Cortes de Ingletes/Cepiladoras (Modelo 36-136)



PART NO. 657645-00 - 10-27-07
Copyright © 2007 Delta Machinery

DELTA

Para obtener más información sobre Delta Machinery,
visite nuestro sitio web en: www.deltaportercable.com

Para las piezas, el servicio, la garantía o la otra ayuda

llaman por favor **1-800-223-7278** (en la llamada **1-800-463-3582** de Canada).

ENGLISH: PÁGINA 1
FRANÇAISE : PAGE 17

PAUTAS DE SEGURIDAD/DEFINICIONES

Es importante para usted leer y entender este manual. La información que lo contiene relaciona a proteger SU SEGURIDAD y PREVENIR los PROBLEMAS. Los símbolos debajo de son utilizados para ayudarlo a reconocer esta información.



▲ PELIGRO

Indica una situación de inminente riesgo, la cual, si no es evitada, causará la muerte o lesiones serias.

▲ ADVERTENCIA

Indica una situación potencialmente riesgosa, que si no es evitada, podría resultar en la muerte o lesiones serias.

▲ PRECAUCIÓN

Indica una situación potencialmente peligrosa, la cual, si no es evitada, podría resultar en lesiones menores o mode-radas.

PRECAUCIÓN

Usado sin el símbolo de seguridad de alerta indica una situa-ción potencialmente riesgosa la que, si no es evitada, podría causar daños en la propiedad.

NORMAS GENERALES DE SEGURIDAD



▲ ADVERTENCIA: LEA Y COMPRENDA TODAS LAS SIGUIENTES INSTRUCCIONES ANTES DE USAR EL EQUIPO. El no seguir las siguientes instrucciones puede resultar en un choque eléctrico, en un incendio, y/o en una herida personal o daños materiales.

CONSERVE ESTAS INSTRUCCIONES

▲ ADVERTENCIA Esta máquina ha sido diseñada para ciertos usos solamente. Delta Machinery le recomienda enérgicamente que no se modifique esta máquina ni que tampoco se le utilice para cualquier uso que no sea el indicado por su diseño. Si tiene cualquier pregunta con respecto a un uso específico, NO UTILICE la máquina hasta haberse comunicado con Delta Machinery para determinar si se puede o si se debe realizar sobre el producto. La forma en línea del contacto en www.deltamachinery.com

Technical Service Manager

Delta Machinery
4825 Highway 45 North
Jackson, TN 38305

(IN CANADA: 125 Mural St. Suite 300, Richmond Hill, ON, L4B 1M4)

▲ ADVERTENCIA Si no se siguen estas normas, el resultado podría ser lesiones graves.

- ESTE PRODUCTO SE DISEÑÓ PARA UTILIZARSE COMO UNA BASE DE SOPORTE PARA SIERRAS PARA CORTAR INGLETES Y CEPILLADORAS.** La base de soporte soporta 300 lb. Todo uso incorrecto o abuso puede causar daños al producto o lesiones corporales.
- NO SE PONGA DE PIE SOBRE LA MESA DE TRABAJO** ni use las extensiones de soporte como una escalera de mano o un andamio.
- SUJETE ADECUADAMENTE LA SIERRA PARA CORTAR INGLETES O LA CEPILLADORA** a la base de soporte antes de utilizar la herramienta.
- COLOQUE LA BASE DE SOPORTE EN UNA SUPERFICIE PLANA Y NIVELADA** para evitar que oscile o vuelque.
- TENGA CUIDADO AL SUBIR Y BAJAR EL PRODUCTO** para reducir el peligro de pellizcarse las manos y los dedos.
- ▲ PRECAUCIÓN** Para reducir el riesgo de lesiones, mantenga ambas manos en el mango al elevar y descender la base. La base cuenta con un sistema de elevación asistida por gas y puede elevarse en forma inesperada al soltar la palanca.
- COMPRUEBE LAS PATAS Y OTROS SOPORTES** para ver si están fijos en su sitio adecuadamente antes de utilizar la herramienta.
- USE PROTECCIÓN DE LOS OJOS Y DE LA AUDICIÓN. USE SIEMPRE ANTEOJOS DE SEGURIDAD.** Los lentes de uso diario NO son anteojos de seguridad. **USE EQUIPO DE SEGURIDAD CERTIFICADO.** El equipo de protección de los ojos debe cumplir con las normas ANSI Z87.1. El equipo de protección de la audición debe cumplir con las normas ANSI S3.19.
- NO MODIFIQUE** ni use la base de soporte para realizar operaciones para las que no está diseñada.

DESCRIPCIÓN FUNCIONAL

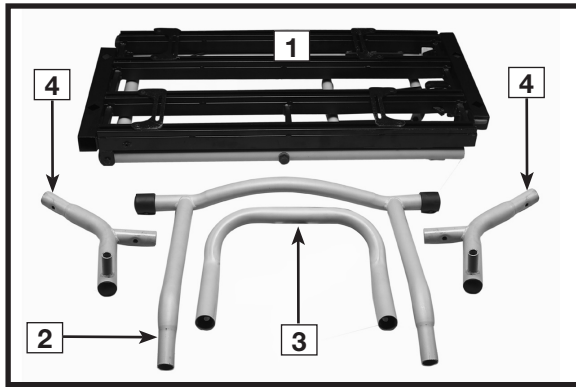
PREFACIO

El modelo 36-136 es una base de soporte diseñada para acomodar la mayoría de sierras para cortar ingletes y cepilladoras, y brindar portabilidad para esas unidades, tanto en el campo como en el taller.

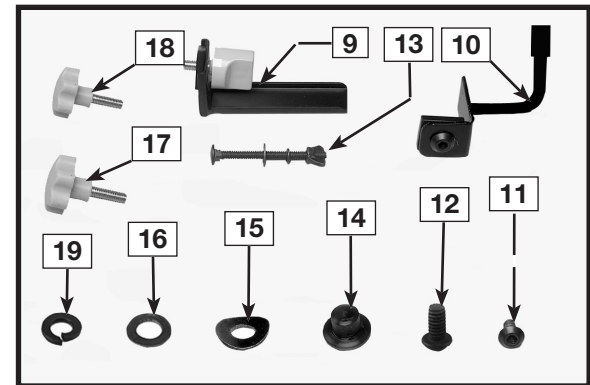
DESEMPAQUETADO Y LIMPIEZA

Desembale con cuidado el producto y todos artículos flojos del contenedor (contenedores) del envío. Coloque las partes hacia abajo en el piso para que todo despida será fácilmente accesible durante la asamblea.

CONTENIDO DE CARTON



1. Base de soporte
2. Extensión de las patas
3. Pie de almacenamiento
4. Conector de la rueda y el pie de almacenamiento (I y D)
5. Rodillo de extensión (2)
6. Asa
7. Rueda (2)
8. Eje (2)
9. Tope-guía de extensión ajustable (2)
10. Soporte de enrollador del cable de alimentación (2)
11. Tornillo de cabeza de botón M8 x 15 mm (6)
12. Tornillo de cabeza de botón M8 x 25 mm (2)
13. Conjunto de perno de sujeción (4)
14. Tapa de extremo de la extensión de rodillo (4)
15. Arandela curvada (6)
16. Arandela plana (2)
17. Pomo de fijación de la extensión (2)
18. Pomo de fijación de la extensión de rodillo (2)
19. Arandela de seguridad M8 (2)



ENSAMBLAJE

▲ ADVERTENCIA RIESGO DE PELLIZCOS. No intente elevar o descender la base durante el ensamblaje. Puede pellizcarse los dedos.

INSTALACIÓN DE LA EXTENSIÓN DE LAS PATAS

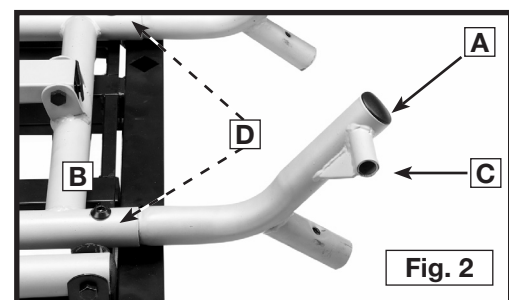
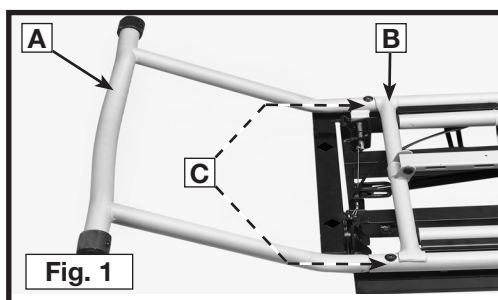
Coloque la base de soporte sobre una mesa o en el piso, en posición invertida.

1. Introduzca la extensión de las patas (A), Fig. 1, en la base de soporte (B).
2. Alinee los agujeros e instale dos tornillos de cabeza de botón M8 x 15 mm con arandelas curvadas (C).
3. Apriete firmemente los tornillos con la llave hexagonal suministrada.

NOTA: La llave hexagonal suministrada viene en el área de almacenamiento de la llave, ubicada en la esquina de la base de soporte, directamente sobre una de las ruedas (ver la Fig. 9).

INSTALACIÓN DEL CONECTOR DE LA RUEDA Y EL PIE DE MACENAMIENTO

1. Introduzca el conector de la rueda y el pie de almacenamiento (A), Fig. 2, en la base de soporte (B). Colóquelo de modo que la extensión de la rueda (C) quede orientada hacia fuera.
2. Alinee los agujeros e instale de modo flojo dos tornillos de cabeza de botón M8 x 15 mm con arandelas curvadas (D) para realizar ajustes adicionales.
3. Instale el otro conector de la misma manera.



INSTALACIÓN DE LAS RUEDAS

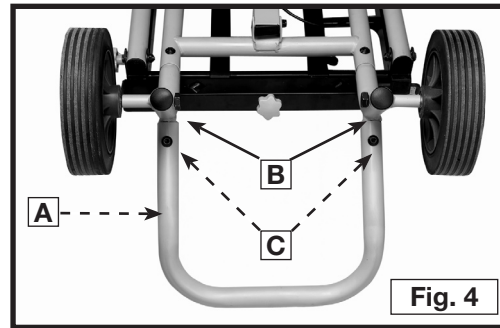
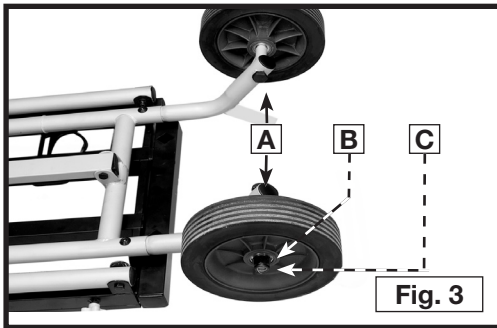
1. Introduzca el eje (A), Fig. 3, desde el interior del conector de la rueda y el pie de almacenamiento.
2. Coloque una de las ruedas en el eje, con el lado más largo del cubo de la rueda orientado hacia dentro.
3. Coloque la arandela (B) en el eje e instale la tuerca (C). Apriete la tuerca.

NOTA: No apriete excesivamente la tuerca. Se podría dificultar la rotación de la rueda.

4. Instale la otra rueda de la misma manera.

INSTALACIÓN DEL PIE DE ALMACENAMIENTO

1. Coloque el pie de almacenamiento (A), Fig. 4, sobre las indentaciones del conector de la rueda y el pie de almacenamiento (B) de modo que, cuando la base de soporte esté en su posición al derecho, el pie de almacenamiento esté en ángulo hacia arriba.
2. Alinee los agujeros e instale dos tornillos de cabeza de botón M8 x 15 mm con las arandelas curvadas (C).
3. Apriete firmemente los tornillos con la llave hexagonal suministrada.
4. Apriete firmemente los tornillos del conector del pie de almacenamiento que se apretaron de modo flojo en el PASO 3 de "INSTALACIÓN DEL CONECTOR DE LA RUEDA Y EL PIE DE ALMACENAMIENTO".

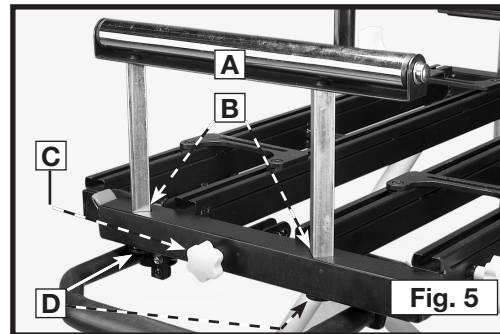


INSTALACIÓN DE LOS RODILLOS DE EXTENSIÓN

Ponga la base de soporte en posición al derecho.

1. Quite los tapones de espuma de los cuatro agujeros de las extensiones.
2. Instale un rodillo de extensión (A), Fig. 5, en los agujeros (B).
3. Instale uno de los pomos de fijación más largos con una arandela plana (C), Fig. 5. Este pomo de fijación bloqueará el movimiento vertical del rodillo de extensión.
4. Introduzca una tapa de extremo de rodillo de extensión (D) en la parte inferior de ambas patas del rodillo de extensión (A) y golpéela suavemente con un mazo de goma. Asegúrese de que las lengüetas ubicadas en las tapas de extremo estén alineadas con los agujeros de las patas.
5. Instale el otro rodillo de extensión de la misma manera.

NOTA: Suba el rodillo de extensión por encima del asa para que la extensión no tropiece con el asa.



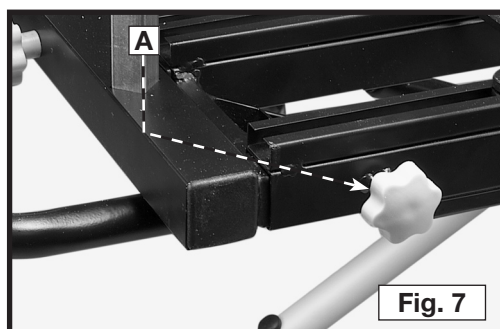
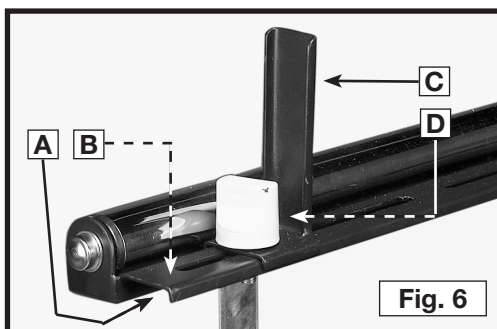
INSTALACIÓN DEL TOPE-GUÍA DE EXTENSIÓN AJUSTABLE

1. Introduzca la tuerca cuadrada (suministrada con el tope-guía de extensión) en la abertura (A), Fig. 6, del estante del rodillo de extensión (B).
2. Coloque el tope-guía de extensión (C) sobre el estante (B) y alinee el agujero ubicado en el tope-guía con el agujero de la tuerca cuadrada.
3. Introduzca el pomo de fijación (D) a través del tope-guía (C) y el estante (B), y en la tuerca cuadrada.
4. Apriete firmemente el pomo.

NOTA: El tope-guía se puede girar en cualquiera de las dos direcciones, dependiendo de la aplicación que se desee realizar. Si lo gira hacia usted, el tope-guía se vuelve una extensión del tope-guía de la sierra. Si lo gira alejándose de usted, el tope-guía puede funcionar como una guía.

INSTALACIÓN DE LOS POMOS DE FIJACIÓN HORIZONTAL

Instale los dos pomos de fijación más cortos (se muestra uno en (A), Fig. 7) en los agujeros ubicados en la parte delantera y la parte trasera de ambos lados de la base de soporte. Estos pomos de fijación bloquean el movimiento de los rodillos de extensión.

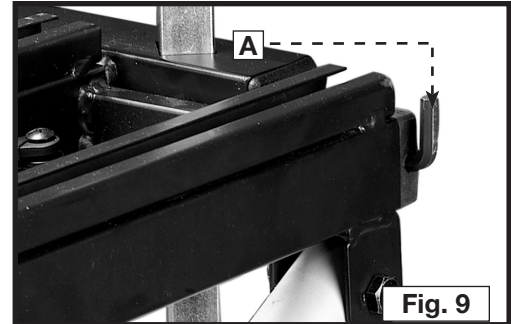
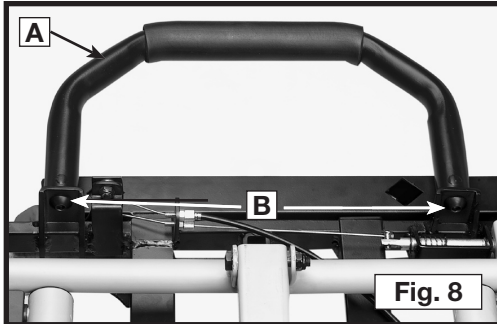


INSTALACIÓN DEL ASA

1. Instale el asa (A), Fig. 8, en el extremo de la base de soporte opuesto a las ruedas, con los dos tornillos de cabeza de botón M8 x 25 mm (B) y las dos arandelas de seguridad desde el interior.
2. Apriete firmemente los tornillos con la llave hexagonal suministrada.

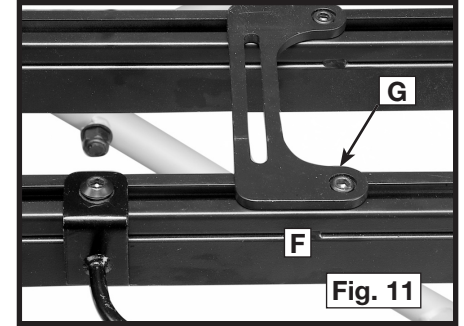
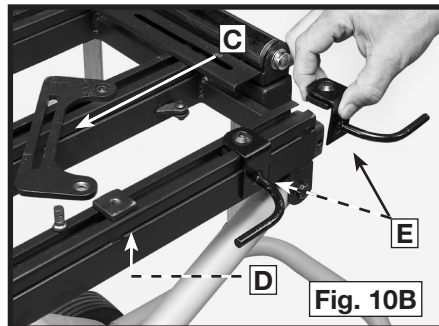
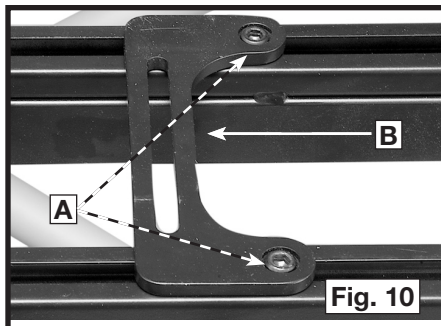
ÁREA DE ALMACENAMIENTO DE LA LLAVE HEXAGONAL

La llave hexagonal suministrada (A), Fig. 9, viene en el área de almacenamiento de la llave, ubicada en la esquina de la base de soporte, directamente sobre una de las ruedas.



INSTALACIÓN DE LOS ENROLLADORES DEL CABLE DE ALIMENTACIÓN

1. Use la llave hexagonal suministrada para aflojar los tornillos (A), Fig. 10, del conector móvil de la sierra (B).
2. Deslice el conector móvil de la sierra (C), Fig. 10B, fuera del estante.
3. Deslice los enrolladores del cable de alimentación (E), Fig. 10B, sobre el estante (D). Coloque los enrolladores del cable de alimentación en posiciones opuestas (Fig. 10B) para sujetar firmemente el cable de alimentación.
4. Coloque los enrolladores del cable de alimentación dentro de los conectores móviles del cable de alimentación y use la llave hexagonal suministrada para apretarlos firmemente.
5. Coloque de nuevo el conector de la sierra (D), Fig. 10B, en el estante (F), Fig. 11, de vuelta en su posición original.
6. Use la llave hexagonal suministrada para apretar firmemente los tornillos.



INSTALACIÓN DE LA HERRAMIENTA

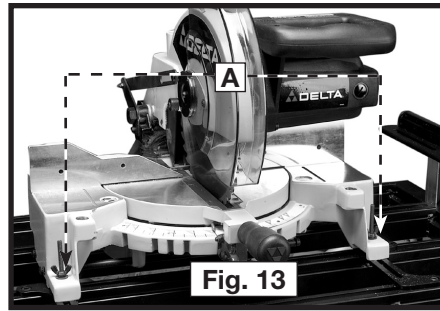
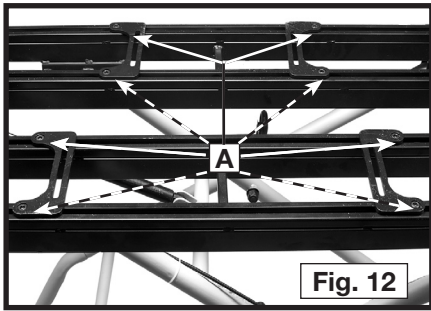
⚠ ADVERTENCIA Consulte las instrucciones del fabricante sobre la sujeción firme de su sierra para cortar ingletes o su cepilladora en una base de soporte o una superficie de soporte. Sujete firmemente la herramienta de acuerdo tanto con las instrucciones contenidas en este manual como con las contenidas en el manual del fabricante de su herramienta antes de utilizar dicha herramienta.

1. Afloje (pero no quite) las tuercas hexagonales ubicadas en cada una de las bases de los conectores móviles (A), Fig. 12.
2. Coloque la sierra para cortar ingletes o la cepilladora sobre la base de soporte encima de las bases de los conectores móviles. Alinee los agujeros de la herramienta y de los conectores e introduzca los pernos de sujeción desde la parte de abajo. Instale la arandela, luego la arandela de seguridad y luego la tuerca de mariposa.
3. Centre la herramienta, tanto hacia delante como hacia detrás y de un lado a otro, sobre la base de soporte.
4. Apriete firmemente las tuercas de mariposa (A), Fig. 13, y las tuercas hexagonales en los conectores (A), Fig. 12.

NOTA: Los pernos de sujeción incluidos con esta unidad (se muestran dos en (A), Fig. 13) están diseñados para funcionar con las sierras más grandes para cortar ingletes y podrían interferir con el funcionamiento de la herramienta. Si se produce dicha interferencia, compre un perno más corto del mismo tamaño para su unidad.

NOTA: En el caso de herramientas que no encajen sobre los conectores, monte la herramienta en un pedazo de madera contrachapada de 3/4" o más grueso y luego monte la madera contrachapada en la base de soporte. Para permitir que la madera contrachapada descansa al ras sobre la superficie de soporte, asegúrese de que los tornillos de montaje no atraviesen completamente la madera contrachapada. Cuando use este método, coloque las abrazaderas solamente donde estén ubicados los agujeros para los tornillos de montaje. Cualquier otra ubicación interferirá con el funcionamiento correcto de la herramienta.

⚠ PRECAUCIÓN Para evitar los atascos y/o la imprecisión, asegúrese de que la superficie de montaje no esté combada ni sea desigual. Si la herramienta oscila sobre la superficie de montaje, coloque un pedazo pequeño de material debajo de uno de los pies de la herramienta para hacer que ésta se asiente firmemente sobre la superficie de montaje.



PRUEBA DE ESTABILIDAD DEL PRODUCTO

La base de soporte universal para sierras para cortar ingletes y cepilladoras está diseñada para utilizarse en combinación con una amplia gama de sierras para cortar ingletes, sierras para cortar ingletes compuestos, sierras de carro para cortar ingletes compuestos y cepilladoras.

⚠ ADVERTENCIA Toda herramienta que se utilice con esta base de soporte debe estar posicionada y sujeta apropiadamente para garantizar la estabilidad y evitar el vuelco accidental.

⚠ ADVERTENCIA Monte su cepilladora de la manera que se muestra en la Fig. 14 para garantizar la máxima durabilidad.

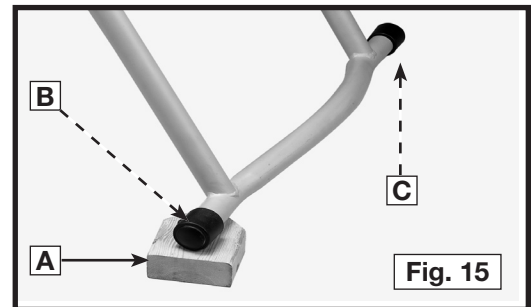
Para confirmar la estabilidad de su unidad:

⚠ ADVERTENCIA Para reducir el riesgo de lesiones personales graves, apague la herramienta y desconéctela de la fuente de alimentación antes de instalar y retirar accesorios, ajustar o cambiar configuraciones o realizar reparaciones. Un arranque accidental podría causar lesiones.

⚠ ADVERTENCIA Use dos o más personas para realizar la prueba de estabilidad.

⚠ PRECAUCIÓN Suba el cabezal de corte de todas las sierras para cortar ingletes, las sierras para cortar ingletes compuestos y las sierras de carro para cortar ingletes compuestos. Bloquee todas las sierras de carro para cortar ingletes compuestos en la posición trasera.

1. Coloque un bloque de madera de 2-1/2" de grosor (A), Fig. 15, debajo de la pata delantera (B) de la base de soporte, de modo que dicha pata delantera esté elevada 2-1/2" por encima del piso.
2. Con una persona en la parte delantera de la base de soporte y la otra persona en la parte trasera, levante ligeramente la parte delantera de la base de soporte, retire el bloque de madera y deje que la base de soporte caiga hacia delante.



⚠ ADVERTENCIA Permanezca alerta. La base de soporte podría volcar durante este procedimiento.

3. Realice esta misma prueba con el bloque de madera debajo de la pata trasera (C), Fig. 15.

⚠ ADVERTENCIA Permanezca alerta. La base de soporte podría volcar durante este procedimiento.

4. Si la base de soporte tiende a inclinarse hacia delante, reposicione la herramienta hacia la parte trasera de la base de soporte. Si la base de soporte tiende a inclinarse hacia la parte trasera, reposicione la herramienta hacia delante. Haga el ajuste y luego repita la prueba.

UTILIZACIÓN

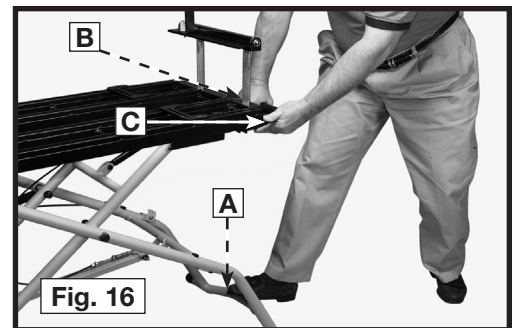
PARA SUBIR Y BAJAR LA BASE DE SOPORTE

1. Ponga el pie derecho sobre la parte inferior de la pata de extensión (A), Fig. 16.
2. Tome el mango (B) Fig. 16 con ambas manos.
3. Utilice el pulgar de su mano izquierda para empujar la palanca roja de activación (C) hacia abajo.
4. Levante el asa para liberar el mecanismo de seguridad y luego suba o baje la base de soporte. Ésta se bloqueará automáticamente en su sitio.

NOTA: La base de soporte se ajustará a dos alturas. Pruebe las dos, seleccione la que sea adecuada para usted y bloquee la base de soporte en esa posición.

NOTA: La base de soporte tiene un cilindro controlado por gas que ayuda a subirla. Para poner la base de soporte en la posición hacia "abajo", empuje hacia abajo sobre la palanca de activación roja, levante el asa y luego ejerza presión hacia abajo sobre el asa.

⚠ PRECAUCIÓN Para reducir el riesgo de lesiones, mantenga ambas manos en el mango al elevar y descender la base. La base cuenta con un sistema de elevación asistida por gas y puede elevarse en forma inesperada al soltar la palanca.



PARA EXTENDER LOS RODILLOS DE EXTENSIÓN

1. Gire el pomo de fijación de la extensión horizontal (A), Fig. 18, en sentido contrario al de las agujas del reloj.
2. Mueva el rodillo de extensión (B), Fig. 18, hacia fuera o hacia dentro, dependiendo de la longitud de la pieza de trabajo.
3. Apriete el pomo de fijación de la extensión horizontal.

PARA SUBIR Y BAJAR LOS RODILLOS DE EXTENSIÓN

1. Gire el pomo de fijación de la extensión vertical (A), Fig. 17, en sentido contrario al de las agujas del reloj.
2. Suba o baje el rodillo de extensión (B) para que coincida con la altura de la mesa de la sierra.
3. Apriete el pomo de fijación de la extensión vertical.

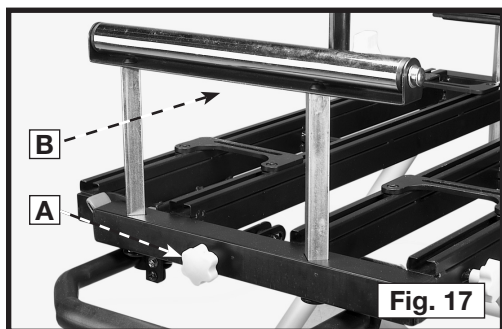


Fig. 17

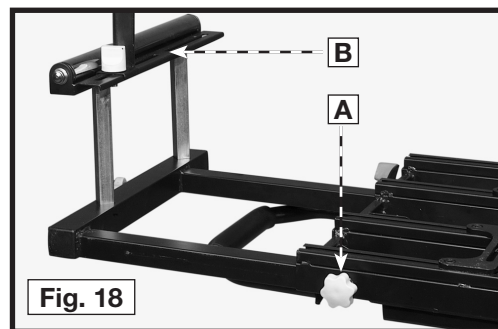


Fig. 18

LOCALIZACION DE FALLAS

Para obtener asistencia para su máquina, visite nuestro sitio Web en www.deltaportercable.com para tener acceso a una lista de centros de servicio o llame a la línea de ayuda de Delta Machinery al 1-800-223-7278. (En Canadá, llame al 1-800-463-3582.)

SERVICIO

PIEZAS DE REPUESTO

Utilice sólo piezas de repuesto idénticas. Para obtener una lista de piezas o para solicitar piezas, visite nuestro sitio web en servicenet.deltamachinery.com. También puede solicitar piezas en nuestro centro más cercano, o llamando a nuestro Centro de atención al cliente al 1-800-223-7278 para obtener asistencia personalizada de nuestros técnicos capacitados.

REEMPLAZO GRATUITO DE LAS ETIQUETAS DE ADVERTENCIA

Si las etiquetas de advertencia se tornan ilegibles o se pierden, llame al 1-800-223-7278 para reemplazarlas sin costo alguno.

<p>⚠ CAUTION</p> <p>KEEP BOTH HANDS ON HANDLE WHILE RAISING AND LOWERING STAND. STAND HAS GAS ASSIST LIFTING AND MAY RAISE UNEXPECTEDLY WHEN LEVER IS RELEASED.</p>	<p>⚠ ATENCIÓN</p> <p>MANTENGA AMBAS MANOS EN EL MANGO AL ELEVAR Y BAJAR LA BASE. LA BASE TIENE UN SISTEMA DE ELEVACIÓN ASISTIDA POR GAS Y PUEDE ELEVARSE EN FORMA INESPERADA AL SOLTAR LA PALANCA.</p>	<p>⚠ ATTENTION</p> <p>GARDER LES DEUX MAINS SUR LA POIGNÉE AU MOMENT DE RELEVER OU D'ABASSER LE SOCLE. LE SOCLE EST DOTÉ D'UN DISPOSITIF DE LEVAGE AU GAZ QUI PEUT SE RELEVER SOUDAINEMENT LORSQUE LE LEVIER EST RELÂCHÉ.</p>
----------------------------------------------------------------------------------------------------------------------------------------------------------------------------	---------------------------------------------------------------------------------------------------------------------------------------------------------------------------------------------------------------	--------------------------------------------------------------------------------------------------------------------------------------------------------------------------------------------------------------------------------------

<p>⚠ WARNING FOR YOUR OWN SAFETY: 1. READ AND UNDERSTAND THE INSTRUCTION MANUAL. 2. This product is designed to be used for minor tasks only. Excessive force or misuse may result in product damage or personal injury. 3. Do not stand on or use the product as a step ladder or scaffold. 4. Do not exceed 300 lb (136 kg) load. 5. Place on flat and level surface in order to limit vibration and wobbling. 6. Caution when using extension work supports. Always use proper technique to avoid injury. 7. Open flame and male engaged, extension work supports are locked and cannot be adjusted during use.</p>	<p>⚠ ADVERTENCIA POR SU PROPIA SEGURIDAD: 1. LEYÁ Y COMPRENDA EL MANUAL DE INSTRUCCIONES ANTES DE UTILIZAR EL PRODUCTO. 2. Este producto está diseñado para utilizarse en tareas menores. El uso excesivo de fuerza o el uso incorrecto puede provocar daños en el producto o lesiones personales. 3. No se debe subir, ni utilizar el producto como escalera o andamio. 4. Verifique que la superficie de apoyo sea plana y nivelada. 5. Coloque la herramienta sobre una superficie plana y nivelada para evitar vibración o tamboreo. 6. Evite utilizar el producto para soportar cargas pesadas. 7. No se debe utilizar el producto cerca de flamas abiertas. 8. Una vez encendido, los soportes de trabajo no se pueden ajustar durante el uso.</p>	<p>⚠ AVERTISSEMENT POUR VOTRE PROPRE SÉCURITÉ: 1. LIREZ ET COMPRENDEZ LE MANUEL D'INSTRUCTION AVANT D'UTILISER L'OUTIL. 2. Ce produit est conçu pour être utilisé avec des tâches mineures. Une utilisation excessive ou un usage incorrect peut entraîner des dommages au produit ou des blessures personnelles. 3. Ne pas se tenir sur le produit ou l'utiliser comme échelle ou échafaudage. 4. Vérifiez que la surface de support est plane et nivelée. 5. Placez l'outil sur une surface plane et nivelée pour éviter la vibration ou le tambourinement. 6. Évitez d'utiliser le produit pour supporter des charges lourdes. 7. N'utilisez pas le produit près d'une flamme ouverte. 8. Une fois allumé, les supports de travail à gaz ne peuvent pas être ajustés pendant l'utilisation.</p>
---------------------------------------------------------------------------------------------------------------------------------------------------------------------------------------------------------------------------------------------------------------------------------------------------------------------------------------------------------------------------------------------------------------------------------------------------------------------------------------------------------------------------------------------------------------------------------------------------------------------------------------------------------------	-----------------------------------------------------------------------------------------------------------------------------------------------------------------------------------------------------------------------------------------------------------------------------------------------------------------------------------------------------------------------------------------------------------------------------------------------------------------------------------------------------------------------------------------------------------------------------------------------------------------------------------------------------------------------------------------------------------------------------------------------------------------------------------------------------	-----------------------------------------------------------------------------------------------------------------------------------------------------------------------------------------------------------------------------------------------------------------------------------------------------------------------------------------------------------------------------------------------------------------------------------------------------------------------------------------------------------------------------------------------------------------------------------------------------------------------------------------------------------------------------------------------------------------------------------------------------------------------------------------------------------------------------------------------

MANTENIMIENTO Y REPARACIONES

Con el paso del tiempo, todas las herramientas de calidad requieren mantenimiento o reemplazo de las piezas. Para obtener información acerca de Delta Machinery, sus sucursales propias o un Centro de mantenimiento con garantía autorizado, visite nuestro sitio web en www.deltaportercable.com o llame a nuestro Centro de atención al cliente al 1-800-223-7278. Todas las reparaciones realizadas por nuestros centros de mantenimiento están completamente garantizadas en relación con los materiales defectuosos y la mano de obra. No podemos otorgar garantías en relación con las reparaciones ni los intentos de reparación de otras personas.

También puede escribirnos solicitando información a Delta Machinery, 4825 Highway 45 North, Jackson, Tennessee 38305 - Mantenimiento de productos. Asegúrese de incluir toda la información mencionada en la placa de la herramienta (número de modelo, tipo, número de serie, etc.)

ACCESORIOS

Una línea completa de accesorios está disponible de su surtidor de Porter-Cable • Delta, centros de servicio de la fábrica de Porter-Cable • Delta, y estaciones autorizadas delta. Visite por favor nuestro Web site www.deltaportercable.com para un catálogo o para el nombre de su surtidor más cercano.

⚠ ADVERTENCIA: Puesto que los accesorios con excepción de éstos ofrecidos por Delta no se han probado con este producto, el uso de tales accesorios podría ser peligroso. Para la operación más segura, solamente el delta recomendó los accesorios se debe utilizar con este producto.

PÓLIZA DE GARANTÍA

IDENTIFICACIÓN DEL PRODUCTO:

Sello o firma del Distribuidor.Nombre del producto: _____ Mod./Cat.: _____ Marca: _____
Núm. de serie: _____ (Datos para ser llenados por el distribuidor)Fecha de compra y/o
entrega del producto: _____ Nombre y domicilio del distribuidor donde se adquirió el producto: _____

Este producto está garantizado por un año a partir de la fecha de entrega, contra cualquier defecto en su funcionamiento, así como en materiales y mano de obra empleados para su fabricación. Nuestra garantía incluye la reparación o reposición del producto y/o componentes sincargo alguno para el cliente, incluyendo mano de obra, así como los gastos de transportaciónrazonablemente erogados derivados del cumplimiento de este certificado.Para hacer efectiva esta garantía deberá presentar su herramienta y esta póliza sellada por elestablecimiento comercial donde se adquirió el producto, de no contar con ésta, bastará la factura de compra.

EXCEPCIONES

Esta garantía no será válida en los siguientes casos:

- Cuando el producto se hubiese utilizado en condiciones distintas a las normales;
- Cuando el producto no hubiese sido operado de acuerdo con el instructivo de uso que seacompaña;
- Cuando el producto hubiese sido alterado o reparado por personas distintas a las enlis-tadas al final de este certificado.

Anexo encontrará una relación de sucursales de servicio de fábrica, centros de servicio autor-izados y franquiciados en la República Mexicana, donde podrá hacer efectiva su garantía yadquirir partes, refacciones y accesorios originales.

GARANTIA

Para registrar la herramienta para obtener el mantenimiento cubierto por la garantía de la herramienta, visite nuestro sitio web en www.deltaportercable.com.

Garantía limitada de dos años para productos nuevos

Delta reparará o reemplazará, a expensas y opción propias, cualquier máquina nueva, pieza de máquina nueva o accesorio de máquina nuevo Delta que durante el uso normal haya presentado defectos de fabricación o de material, siempre que el cliente devuelva el producto con el transporte prepago a un centro de servicio de fábrica Delta o una estación de servicio autorizado Delta, con un comprobante de compra del producto, dentro del plazo de dos años y dé a Delta una oportunidad razonable de verificar el supuesto defecto mediante la realización de una inspección. Para todos los productos Delta reacondicionados, el período de garantía es de 180 días. Delta podrá requerir que los motores eléctricos sean devueltos con el transporte prepago a una estación autorizada de un fabricante de motores para ser sometidos a inspección y reparación o para ser reemplazados. Delta no será responsable de ningún defecto alegado que haya resultado del desgaste normal, uso indebido, abuso o reparación o alteración realizada o autorizada específicamente por alguien que no sea un centro de servicio autorizado Delta o un representante autorizado Delta. Delta no será responsable en ninguna circunstancia de los daños incidentales o emergentes que se produzcan como resultado de productos defectuosos. Esta garantía es la única garantía de Delta y establece el recurso exclusivo del cliente en lo que respecta a los productos defectuosos; Delta rechaza expresamente todas las demás garantías, expresas o implícitas, tanto de comerciabilidad como de idoneidad para un propósito o de cualquier otro tipo.

AMÉRICA LATINA: Esta garantía no se aplica a los productos que se venden en América Latina. Para los productos que se venden en América Latina, debe consultar la información de la garantía específica del país que viene en el empaque, llamar a la compañía local o visitar el sitio Web a fin de obtener esa información.

**PARA REPARACIÓN Y SERVICIO DE SUS
HERRAMIENTAS ELÉCTRICAS, FAVOR DE DIRIGIRSE
AL CENTRO DE SERVICIO MÁS CERCANO**

CULIACAN, SIN

Blvd. Emiliano Zapata 5400-1 Poniente
Col. San Rafael (667) 717 89 99

GUADALAJARA, JAL

Av. La Paz #1779 - Col. Americana Sector Juárez (33) 3825 6978

MEXICO, D.F.

Eje Central Lázaro Cárdenas No. 18
Local D, Col. Obrera (55) 5588 9377

MERIDA, YUC

Calle 63 #459-A - Col. Centro (999) 928 5038

MONTERREY, N.L.

Av. Francisco I. Madero 831 Poniente - Col. Centro (818) 375 23 13

PUEBLA, PUE

17 Norte #205 - Col. Centro (222) 246 3714

QUERETARO, QRO

Av. San Roque 274 - Col. San Gregorio (442) 2 17 63 14

SAN LUIS POTOSI, SLP

Av. Universidad 1525 - Col. San Luis (444) 814 2383

TORREON, COAH

Blvd. Independencia, 96 Pte. - Col. Centro (871) 716 5265

VERACRUZ, VER

Prolongación Díaz Mirón #4280 - Col. Remes (229) 921 7016

VILLAHERMOSA, TAB

Constitución 516-A - Col. Centro (993) 312 5111

PARA OTRAS LOCALIDADES:

Si se encuentra en México, por favor llame al (55) 5326 7100

**Si se encuentra en U.S., por favor llame al
1-800-433-9258 (1-800 4-DeWALT)**

SOLAMENTE PARA PROPÓSITO DE MÉXICO:
IMPORTADO POR: DeWALT S.A. DE C.V.
BOSQUES DE CIDROS, ACCESO RADIATAS NO.42
3A. SECCIÓN DE BOSQUES DE LAS LOMAS
DELEGACIÓN CUAJIMALPA,
05120, MÉXICO, D.F.
TEL. (52) 555-326-7100
R.F.C.: BDE810626-1W7

**Para servicio y ventas consulte
"HERRAMIENTAS ELÉCTRICAS"
en la sección amarilla.**



The following are trademarks for one or more Porter-Cable and Delta products: • Les marques suivantes sont des marques de commerce se rapportant à un ou plusieurs produits Porter-Cable ou Delta : • Las siguientes son marcas comerciales para uno o más productos de Porter-Cable y Delta:

2 BY 4[®], 890[™], Air America[®], AIRBOSS[™], Auto-Set[®], B.O.S.S.[®], Bammer[®], Biesemeyer[®], Builders Saw[®], Charge Air[®], Charge Air Pro[®], CONTRACTOR SUPERDUTY[®], Contractor's Saw[®], Delta[®], DELTA[®], Delta Industrial[®], DELTA MACHINERY & DESIGN[™], Delta Shopmaster and Design[®], Delta X5[®], Deltacraft[®], DELTAGRAM[®], Do It. Feel It.[®], DUAL LASERLOC AND DESIGN[®], EASY AIR[®], EASY AIR TO GO[™], ENDURADIAMOND[®], Ex-Cell[®], Front Bevel Lock[®], Get Yours While the Sun Shines[®], Grip to Fit[®], GRIPVAC[™], GTF[®], HICKORY WOODWORKING[®], Homecraft[®], HP FRAMER HIGH PRESSURE[®], IMPACT SERIES[™], Innovation That Works[®], Jet-Lock[®], Job Boss[®], Kickstand[®], LASERLOC[®], LONG-LASTING WORK LIFE[®], MAX FORCE[™], MAX LIFE[®], Micro-Set[®], Midi-Lathe[®], Monsoon[®], MONSTER-CARBIDE[™], Network[®], OLDHAM[®], Omnijig[®], PC EDGE[®], Performance Crew[™], Performance Gear[®], Pocket Cutter[®], Porta-Band[®], Porta-Plane[®], Porter Cable[®], Porter-Cable Professional Power Tools[®], Powerback[®], POZI-STOP[™], Pressure Wave[®], PRO 4000[®], Proair[®], Quicksand and Design[®], Quickset II[®], QUIET DRIVE TECHNOLOGY[™], QUIET DRIVE TECHNOLOGY AND DESIGN[™], Quik-Change[®], QUIK-TILT[®], RAPID-RELEASE[™], RAZOR[®], Redefining Performance[®], Riptide[®], Safe Guard II[®], Sand Trap and Design[®], Sanding Center[®], Saw Boss[®], Shop Boss[®], Sidekick[®], Site Boss[®], Speed-Bloc[®], Speedmatic[®], Stair Ease[®], Steel Driver Series[®], SUPERDUTY[®], T4 & DESIGN[®], THE AMERICAN WOODSHOP[®], THE PROFESSIONAL EDGE[®], Thin-Line[®], Tiger Saw[®], TIGERCLAW[®], TIGERCLAW AND DESIGN[®], Torq-Buster[®], TRU-MATCH[®], T-Square[®], Twinlaser[®], Unifence[®], Uniguard[®], UNIRIP[®], UNISAW[®], UNITED STATES SAW[®], Veri-Set[®], Versa-Feeder[®], VIPER[®], VT[™], VT RAZOR[™], Water Driver[®], WATER VROOM[®], Waveform[®], Whisper Series[®], X5[®], YOUR ACHIEVEMENT. OUR TOOLS.[®]

Trademarks noted with ® are registered in the United States Patent and Trademark Office and may also be registered in other countries. Other trademarks may apply. • Les marques de commerce suivies du symbole ® sont enregistrées auprès du United States Patent and Trademark Office et peuvent être enregistrées dans d'autres pays. D'autres marques de commerce peuvent également être applicables. • Las marcas comerciales con el símbolo ® están registradas en la Oficina de patentes y marcas comerciales de Estados Unidos (United States Patent and Trademark Office), y también pueden estar registradas en otros países. Posiblemente se apliquen otras marcas comerciales registradas.



Delta Machinery
4825 Highway 45 North
Jackson, TN 38305
(800) 223-7278
www.deltaportercable.com

Free Manuals Download Website

<http://myh66.com>

<http://usermanuals.us>

<http://www.somanuals.com>

<http://www.4manuals.cc>

<http://www.manual-lib.com>

<http://www.404manual.com>

<http://www.luxmanual.com>

<http://aubethermostatmanual.com>

Golf course search by state

<http://golfingnear.com>

Email search by domain

<http://emailbydomain.com>

Auto manuals search

<http://auto.somanuals.com>

TV manuals search

<http://tv.somanuals.com>