

12" Compound Laser Miter Saw (Model 36-255L)

TWIN LASER™



PART NO. A05727 - 04-21-05
Copyright © 2005 Delta Machinery

INSTRUCTION MANUAL

DELTA

To learn more about DELTA MACHINERY
visit our website at: www.deltamachinery.com.

For Parts, Service, Warranty or other Assistance,

please call **1-800-223-7278** (In Canada call **1-800-463-3582**).

ESPAÑOL: PÁGINA 25

TABLE OF CONTENTS

IMPORTANT SAFETY INSTRUCTIONS2
SAFETY GUIDELINES3
GENERAL SAFETY RULES4
ADDITIONAL SPECIFIC SAFETY RULES5
ADDITIONAL SAFETY RULES FOR THE LASER5
FUNCTIONAL DESCRIPTION7
CARTON CONTENTS8
ASSEMBLY8
OPERATIONS11
TROUBLESHOOTING22
MAINTENANCE22
SERVICE23
ACCESSORIES23
WARRANTY23
ESPAÑOL25
SERVICE CENTER LOCATIONSback cover

IMPORTANT SAFETY INSTRUCTIONS

▲WARNING Read and understand all warnings and operating instructions before using any tool or equipment. When using tools or equipment, basic safety precautions should always be followed to reduce the risk of personal injury. Improper operation, maintenance or modification of tools or equipment could result in serious injury and property damage. There are certain applications for which tools and equipment are designed. Delta Machinery strongly recommends that this product NOT be modified and/or used for any application other than for which it was designed.

If you have any questions relative to its application DO NOT use the product until you have written Delta Machinery and we have advised you.

Online contact form at www.deltamachinery.com

Postal Mail: Technical Service Manager
Delta Machinery
4825 Highway 45 North
Jackson, TN 38305

Information regarding the safe and proper operation of this tool is available from the following sources:

Power Tool Institute
1300 Sumner Avenue, Cleveland, OH 44115-2851
www.powertoolinstitute.org

National Safety Council
1121 Spring Lake Drive, Itasca, IL 60143-3201

American National Standards Institute, 25 West 43rd Street, 4 floor, New York, NY 10036 www.ansi.org
ANSI 01.1 Safety Requirements for Woodworking Machines, and

the U.S. Department of Labor regulations www.osha.gov

SAVE THESE INSTRUCTIONS!

SAFETY GUIDELINES - DEFINITIONS

It is important for you to read and understand this manual. The information it contains relates to protecting YOUR SAFETY and PREVENTING PROBLEMS. The symbols below are used to help you recognize this information.

- ▲ DANGER** Indicates an imminently hazardous situation which, if not avoided, will result in death or serious injury.
- ▲ WARNING** Indicates a potentially hazardous situation which, if not avoided, could result in death or serious injury.
- ▲ CAUTION** Indicates a potentially hazardous situation which, if not avoided, may result in minor or moderate injury.
- CAUTION** Used without the safety alert symbol indicates potentially hazardous situation which, if not avoided, may result in property damage.

CALIFORNIA PROPOSITION 65

▲ WARNING **SOME DUST CREATED BY POWER SANDING, SAWING, GRINDING, DRILLING, AND OTHER CONSTRUCTION ACTIVITIES** contains chemicals known to cause cancer, birth defects or other reproductive harm.

Some examples of these chemicals are:

- lead from lead-based paints,
- crystalline silica from bricks and cement and other masonry products, and
- arsenic and chromium from chemically-treated lumber.

Your risk from these exposures varies, depending on how often you do this type of work. To reduce your exposure to these chemicals: work in a well ventilated area, and work with approved safety equipment, always wear **NIOSH/OSHA** approved, properly fitting face mask or respirator when using such tools.

GENERAL SAFETY RULES



▲ WARNING READ AND UNDERSTAND ALL WARNINGS AND OPERATING INSTRUCTIONS BEFORE USING THIS EQUIPMENT. Failure to follow all instructions listed below, may result in electric shock, fire, and/or serious personal injury or property damage.

IMPORTANT SAFETY INSTRUCTIONS

- 1. FOR YOUR OWN SAFETY, READ THE INSTRUCTION MANUAL BEFORE OPERATING THE MACHINE.** Learning the machine's application, limitations, and specific hazards will greatly minimize the possibility of accidents and injury.
- 2. WEAR EYE AND HEARING PROTECTION. ALWAYS USE SAFETY GLASSES.** Everyday eyeglasses are NOT safety glasses. USE CERTIFIED SAFETY EQUIPMENT. Eye protection equipment should comply with ANSI Z87.1 standards. Hearing equipment should comply with ANSI S3.19 standards.
- 3. WEAR PROPER APPAREL.** Do not wear loose clothing, gloves, neckties, rings, bracelets, or other jewelry which may get caught in moving parts. Nonslip footwear is recommended. Wear protective hair covering to contain long hair.
- 4. DO NOT USE THE MACHINE IN A DANGEROUS ENVIRONMENT.** The use of power tools in damp or wet locations or in rain can cause shock or electrocution. Keep your work area well-lit to prevent tripping or placing arms, hands, and fingers in danger.
- 5. MAINTAIN ALL TOOLS AND MACHINES IN PEAK CONDITION.** Keep tools sharp and clean for best and safest performance. Follow instructions for lubricating and changing accessories. Poorly maintained tools and machines can further damage the tool or machine and/or cause injury.
- 6. CHECK FOR DAMAGED PARTS.** Before using the machine, check for any damaged parts. Check for alignment of moving parts, binding of moving parts, breakage of parts, and any other conditions that may affect its operation. A guard or any other part that is damaged **should be properly repaired or replaced.** Damaged parts can cause further damage to the machine and/or injury.
- 7. KEEP THE WORK AREA CLEAN.** Cluttered areas and benches invite accidents.
- 8. KEEP CHILDREN AND VISITORS AWAY.** Your shop is a potentially dangerous environment. Children and visitors can be injured.
- 9. REDUCE THE RISK OF UNINTENTIONAL STARTING.** Make sure that the switch is in the "OFF" position before plugging in the power cord. In the event of a power failure, move the switch to the "OFF" position. An accidental start-up can cause injury.
- 10. USE THE GUARDS.** Check to see that all guards are in place, secured, and working correctly to reduce the risk of injury.
- 11. REMOVE ADJUSTING KEYS AND WRENCHES BEFORE STARTING THE MACHINE.** Tools, scrap pieces, and other debris can be thrown at high speed, causing injury.
- 12. USE THE RIGHT MACHINE.** Don't force a machine or an attachment to do a job for which it was not designed. Damage to the machine and/or injury may result.
- 13. USE RECOMMENDED ACCESSORIES.** The use of accessories and attachments not recommended by Delta may cause damage to the machine or injury to the user.
- 14. USE THE PROPER EXTENSION CORD.** Make sure your extension cord is in good condition. When using an extension cord, be sure to use one heavy enough to carry the current your product will draw. An undersized cord will cause a drop in line voltage, resulting in loss of power and overheating. See the Extension Cord Chart for the correct size depending on the cord length and nameplate ampere rating. If in doubt, use the next heavier gauge. The smaller the gauge number, the heavier the cord.
- 15. SECURE THE WORKPIECE.** Use clamps or a vise to hold the workpiece when practical. Loss of control of a workpiece can cause injury.
- 16. FEED THE WORKPIECE AGAINST THE DIRECTION OF THE ROTATION OF THE BLADE, CUTTER, OR ABRASIVE SURFACE.** Feeding it from the other direction will cause the workpiece to be thrown out at high speed.
- 17. DON'T FORCE THE WORKPIECE ON THE MACHINE.** Damage to the machine and/or injury may result.
- 18. DON'T OVERREACH.** Loss of balance can make you fall into a working machine, causing injury.
- 19. NEVER STAND ON THE MACHINE.** Injury could occur if the tool tips, or if you accidentally contact the cutting tool.
- 20. NEVER LEAVE THE MACHINE RUNNING UNATTENDED. TURN THE POWER OFF.** Don't leave the machine until it comes to a complete stop. A child or visitor could be injured.
- 21. TURN THE MACHINE "OFF", AND DISCONNECT THE MACHINE FROM THE POWER SOURCE** before installing or removing accessories, before adjusting or changing set-ups, or when making repairs. An accidental start-up can cause injury.
- 22. MAKE YOUR WORKSHOP CHILDPROOF WITH PADLOCKS, MASTER SWITCHES, OR BY REMOVING STARTER KEYS.** The accidental start-up of a machine by a child or visitor could cause injury.
- 23. STAY ALERT, WATCH WHAT YOU ARE DOING, AND USE COMMON SENSE. DO NOT USE THE MACHINE WHEN YOU ARE TIRED OR UNDER THE INFLUENCE OF DRUGS, ALCOHOL, OR MEDICATION.** A moment of inattention while operating power tools may result in injury.
- 24. ▲ WARNING USE OF THIS TOOL CAN GENERATE AND DISBURSE DUST OR OTHER AIRBORNE PARTICLES, INCLUDING WOOD DUST, CRYSTALLINE SILICA DUST AND ASBESTOS DUST.** Direct particles away from face and body. Always operate tool in well ventilated area and provide for proper dust removal. Use dust collection system wherever possible. Exposure to the dust may cause serious and permanent respiratory or other injury, including silicosis (a serious lung disease), cancer, and death. Avoid breathing the dust, and avoid prolonged contact with dust. Allowing dust to get into your mouth or eyes, or lay on your skin may promote absorption of harmful material. Always use properly fitting NIOSH/OSHA approved respiratory protection appropriate for the dust exposure, and wash exposed areas with soap and water.

ADDITIONAL SPECIFIC SAFETY RULES

▲ WARNING FAILURE TO FOLLOW THESE RULES MAY RESULT IN SERIOUS PERSONAL INJURY.

1. **DO NOT OPERATE THIS MACHINE UNTIL** it is assembled and installed according to the instructions.
2. **OBTAIN ADVICE from your supervisor, instructor, or another qualified person** if you are not familiar with the operation of this machine.
3. **FOLLOW ALL WIRING CODES** and recommended electrical connections.
4. **MOUNT THE TOOL SECURELY** to a stable supporting surface prior to operation
5. **USE THE GUARDS WHENEVER POSSIBLE.** Check to see that they are in place, secured, and working correctly.
6. **USE ONLY CROSSCUT SAW BLADES.** Use only zero-degree or negative hook angles when using carbide-tipped blades. Do not use blades with deep gullets. These can deflect and contact the guard.
7. **USE ONLY BLADES OF THE CORRECT SIZE AND TYPE** specified for this tool.
8. **USE A SHARP BLADE.** Check blade to see if it runs freely and is free from vibration.
9. **INSPECT BLADE FOR CRACKS** or other damage prior to operation. Replace cracked or damaged blade immediately.
10. **CLEAN THE BLADE AND BLADE FLANGES** prior to operation. Check for any damage and tighten the arbor nut securely.
11. **USE ONLY BLADE FLANGES** specified for this tool.
12. **CLEAR THE AREA OF FLAMMABLE LIQUIDS** and/or gas prior to operation.
13. **CLEAN THE MOTOR AIR SLOTS** of chips and sawdust.
14. **TIGHTEN THE TABLE CLAMP HANDLE** and any other clamps prior to operation.
15. **NEVER START THE TOOL** with the workpiece against the blade.
16. **KEEP HANDS out of path** of saw blade. Clamp all workpieces that would require your hand to be in the "Table Hazard Zone" (within the red lines).
17. **ALLOW THE MOTOR to come to full speed** prior to starting cut.
18. **NEVER REACH AROUND** or behind the saw blade.
19. **NEVER CUT FERROUS METALS** or masonry.
20. **NEVER RECUT SMALL PIECES.**
21. **NEVER LOCK THE SWITCH** in the "ON" position.
22. **NEVER APPLY LUBRICANT** to a running blade.
23. **DO NOT PERFORM FREE-HAND OPERATIONS.** Hold the work firmly against the fence and table. Use clamps to hold the work when possible.
24. **PROPERLY SUPPORT LONG** or wide workpieces.
25. **AFTER COMPLETING CUT,** release power switch and wait for coasting blade to come to a complete stop before returning saw to raised position.
26. **TURN OFF TOOL AND ALLOW THE BLADE TO COME TO A COMPLETE STOP** prior to cleaning the blade area or removing debris in the path of the blade. A coasting blade can be dangerous.
27. **TURN OFF TOOL AND ALLOW BLADE TO COME TO A COMPLETE STOP** before removing or securing workpiece, changing workpiece angle, or changing the angle of the blade.
28. **NEVER PERFORM LAYOUT, ASSEMBLY,** or set-up work on the table/work area when the machine is running.
29. **TURN THE MACHINE "OFF" AND DISCONNECT THE MACHINE** from the power source before installing or removing accessories, before adjusting or changing set-ups, or when making repairs.
30. **TURN THE MACHINE "OFF",** disconnect the machine from the power source, and clean the table/work area before leaving the machine. **LOCK THE SWITCH IN THE "OFF" POSITION** to prevent unauthorized use.
31. **ADDITIONAL INFORMATION** regarding the safe and proper operation of this tool is available from the Power Tool Institute, 1300 Summer Avenue, Cleveland, OH 44115-2851. Information is also available from the National Safety Council, 1121 Spring Lake Drive, Itasca, IL 60143-3201. Please refer to the American National Standards Institute ANSI O1.1 Safety Requirements for Woodworking Machines and the U.S. Department of Labor OSHA 1910.213 Regulations.

ADDITIONAL SAFETY RULES FOR THE LASER

▲ CAUTION **LASER LIGHT - DO NOT STARE INTO BEAM, APERTURE,** or into a reflection from a mirror-like surface Figs. 1 and 1A.

▲ CAUTION **AVOID EXPOSURE - LASER LIGHT IS EMITTED FROM FRONT GUARD APERTURE.** Use of controls or adjustments, or performance of procedures other than those specified herein may result in hazardous laser light exposure.

▲ CAUTION **DO NOT DISASSEMBLE LASER MODULE.** The laser is a CLASS II LASER PRODUCT that can emit laser power up to 1 mW MAX at 635 nm, which could result in exposure with the module disassembled. The laser unit complies with 21 CFR 1040.10 and 1040.11.

▲ CAUTION **USE OF CONTROLS OR ADJUSTMENTS OR PERFORMANCE OF PROCEDURES OTHER THAN THOSE SPECIFIED HEREIN MAY RESULT IN HAZARDOUS RADIATION EXPOSURE.**

SAVE THESE INSTRUCTIONS. Refer to them often and use them to instruct others.

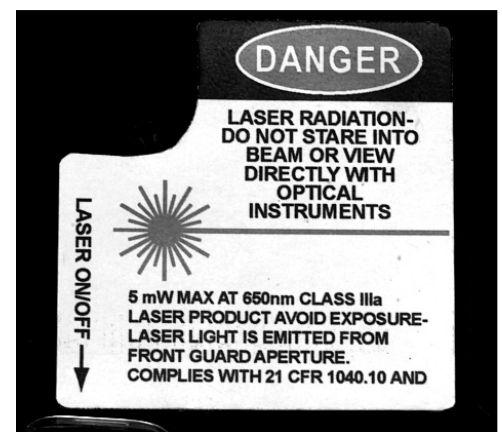


Fig. 1

AVOID EXPOSURE -
← **Laser radiation is emitted from this aperture.**

907771

Fig. 1A

POWER CONNECTIONS

A separate electrical circuit should be used for your machines. This circuit should not be less than #12 wire and should be protected with a 20 Amp time lag fuse. If an extension cord is used, use only 3-wire extension cords which have 3-prong grounding type plugs and matching receptacle which will accept the machine's plug. Before connecting the machine to the power line, make sure the switch (s) is in the "OFF" position and be sure that the electric current is of the same characteristics as indicated on the machine. All line connections should make good contact. Running on low voltage will damage the machine.

▲ DANGER DO NOT EXPOSE THE MACHINE TO RAIN OR OPERATE THE MACHINE IN DAMP LOCATIONS.

MOTOR SPECIFICATIONS

Your machine is wired for 120V, 60 HZ alternating current. Before connecting the machine to the power source, make sure the switch is in the "OFF" position.

GROUNDING INSTRUCTIONS

▲ DANGER THIS MACHINE MUST BE GROUNDED WHILE IN USE TO PROTECT THE OPERATOR FROM ELECTRIC SHOCK.

1. All grounded, cord-connected machines:

In the event of a malfunction or breakdown, grounding provides a path of least resistance for electric current to reduce the risk of electric shock. This machine is equipped with an electric cord having an equipment-grounding conductor and a grounding plug. The plug must be plugged into a matching outlet that is properly installed and grounded in accordance with all local codes and ordinances.

Do not modify the plug provided - if it will not fit the outlet, have the proper outlet installed by a qualified electrician.

Improper connection of the equipment-grounding conductor can result in risk of electric shock. The conductor with insulation having an outer surface that is green with or without yellow stripes is the equipment-grounding conductor. If repair or replacement of the electric cord or plug is necessary, do not connect the equipment-grounding conductor to a live terminal.

Check with a qualified electrician or service personnel if the grounding instructions are not completely understood, or if in doubt as to whether the machine is properly grounded.

Use only 3-wire extension cords that have 3-prong grounding type plugs and matching 3-conductor receptacles that accept the machine's plug, as shown in Fig. A.

Repair or replace damaged or worn cord immediately.

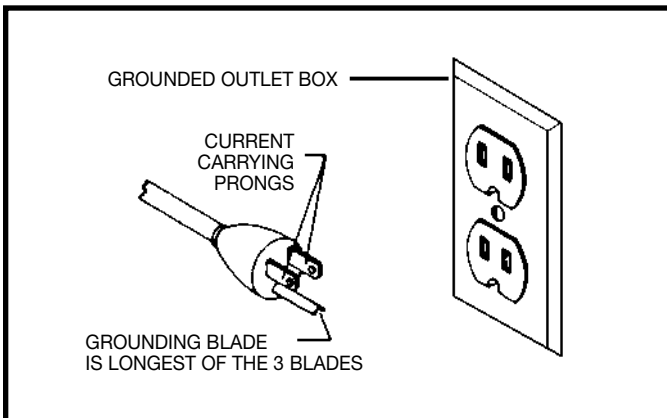


Fig. A

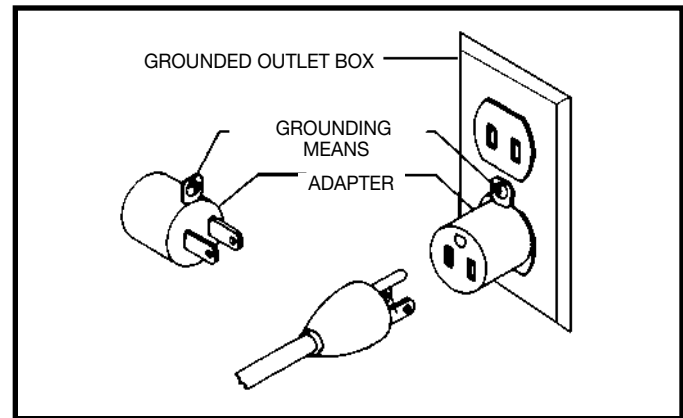


Fig. B

2. Grounded, cord-connected machines intended for use on a supply circuit having a nominal rating less than 150 volts:

If the machine is intended for use on a circuit that has an outlet that looks like the one illustrated in Fig. A, the machine will have a grounding plug that looks like the plug illustrated in Fig. A. A temporary adapter, which looks like the adapter illustrated in Fig. B, may be used to connect this plug to a matching 2-conductor receptacle as shown in Fig. B if a properly grounded outlet is not available. The temporary adapter should be used only until a properly grounded outlet can be installed by a qualified electrician. The green-colored rigid ear, lug, and the like, extending from the adapter must be connected to a permanent ground such as a properly grounded outlet box. Whenever the adapter is used, it must be held in place with a metal screw.

NOTE: In Canada, the use of a temporary adapter is not permitted by the Canadian Electric Code.

▲ DANGER IN ALL CASES, MAKE CERTAIN THE RECEPTACLE IN QUESTION IS PROPERLY GROUNDED. IF YOU ARE NOT SURE HAVE A QUALIFIED ELECTRICIAN CHECK THE RECEPTACLE.

EXTENSION CORDS

⚠ WARNING Use proper extension cords. Make sure your extension cord is in good condition and is a 3-wire extension cord which has a 3-prong grounding type plug and matching receptacle which will accept the machine's plug. When using an extension cord, be sure to use one heavy enough to carry the current of the machine. An undersized cord will cause a drop in line voltage, resulting in loss of power and overheating. Fig. D shows the correct gauge to use depending on the cord length. If in doubt, use the next heavier gauge. The smaller the gauge number, the heavier the cord.

MINIMUM GAUGE EXTENSION CORD			
RECOMMENDED SIZES FOR USE WITH STATIONARY ELECTRIC MACHINES			
Ampere Rating	Volts	Total Length of Cord in Feet	Gauge of Extension Cord
0-6	120	up to 25	18 AWG
0-6	120	25-50	16 AWG
0-6	120	50-100	16 AWG
0-6	120	100-150	14 AWG
6-10	120	up to 25	18 AWG
6-10	120	25-50	16 AWG
6-10	120	50-100	14 AWG
6-10	120	100-150	12 AWG
10-12	120	up to 25	16 AWG
10-12	120	25-50	16 AWG
10-12	120	50-100	14 AWG
10-12	120	100-150	12 AWG
12-16	120	up to 25	14 AWG
12-16	120	25-50	12 AWG
12-16	120	GREATER THAN 50 FEET NOT RECOMMENDED	

Fig. D

FUNCTIONAL DESCRIPTION

FOREWORD

Delta Model 36-255L is a high capacity 12" compound laser miter saw designed to cut wood and non-ferrous metals. This unit incorporates the latest technology TwinLaser™, line-of-cut indicator feature. It can crosscut 8" x 2¼" and 7" x 3¼", miter at 45° both left and right 5¼" x 2¼", bevel at 45° left 6¼" x 2¼" and 8" x 1¼", and compound 45° x 45°, 5¼" x 2 1/2" and 4¼" x 2¼". It has positive miter stops at 0°, 15°, 22.5°, 31.62°, and 45° both left and right, and bevel stops at 0° and 45° left.

NOTICE: THE PHOTO ON THE MANUAL COVER ILLUSTRATES THE CURRENT PRODUCTION MODEL. ALL OTHER ILLUSTRATIONS CONTAINED IN THE MANUAL ARE REPRESENTATIVE ONLY AND MAY NOT DEPICT THE ACTUAL COLOR, LABELING OR ACCESSORIES AND ARE INTENDED TO ILLUSTRATE TECHNIQUE ONLY.

CARTON CONTENTS

1. Extension table
2. Fence slide
3. Fence slide support
4. Dust bag
5. 1/2" arbor and fence wrench
6. 1/4" hex wrench
7. 7/16" open end wrench
8. Lock handle for slide fence
9. 5/16" flat washer
10. 5/16" lock washer
11. 5/16"- 18 x 1 1/4" long hex head screw (2)
12. 5/16" - 18 x 3/4" long hex head screws (2)
13. 1/8" hex wrench



Fig. 2

UNPACKING

1. Carefully remove the machine from the carton. Retain all packing materials until you have inspected and satisfactorily operated the machine.

⚠ WARNING DO NOT OPERATE THIS MACHINE UNTIL YOU READ AND UNDERSTAND THE ENTIRE INSTRUCTION MANUAL.

2. Place the machine on a firm, level surface with extra room for handling and proper support of the workpiece.
3. Familiarize yourself with all features and controls explained in this manual.
4. The machine is shipped with the cuttinghead locked in the down position and the table rotated to 45° left, Fig. 2. To release the head and move it to the operating position, see "MOVING CUTTINGHEAD TO THE UP POSITION" and "MOVING THE TABLE TO THE 0° CUT-OFF POSITION" in this manual (Fig. 5 & 7).
5. Unassembled items are shown in Fig. 3 for identification and use in assembling the saw.

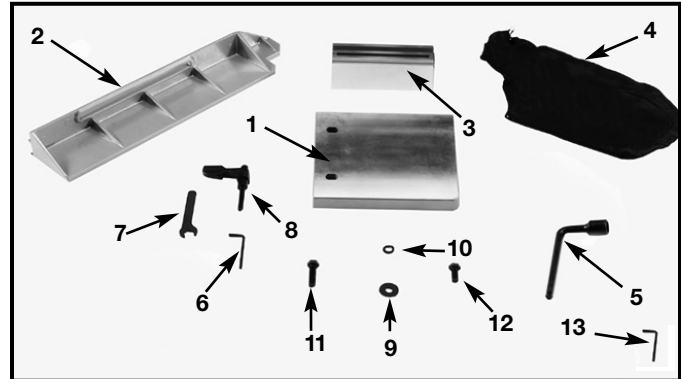


Fig. 3

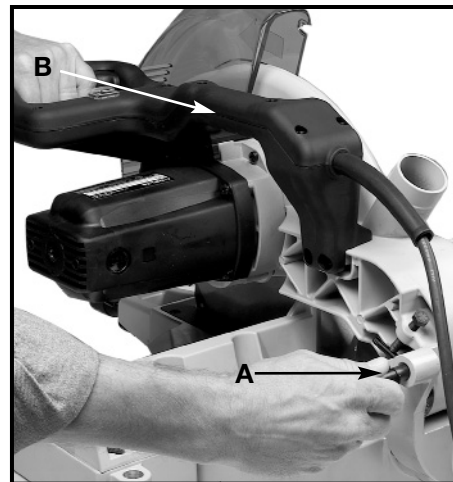


Fig. 4

ASSEMBLY

ASSEMBLY TOOLS REQUIRED

- * 1/2" arbor and fence wrench (supplied)
- * 1/4" hex wrench (supplied)
- * Open end 7/16 wrench (supplied)
- * 1/8" hex wrench (supplied)
- * 5/16 socket wrench or adjustable wrench
- * Phillips head screw driver
- * Framing square
- * C-clamps and plywood for support

ASSEMBLY TIME ESTIMATE

Assembly time for this product will be about 30 minutes to an hour.

MOVING CUTTINGHEAD TO THE UP POSITION

1. Pull out cuttinghead lockpin (A) Fig. 4, and move the cuttinghead (B) to the up position.
2. Fig. 5, illustrates the lockpin (A) pulled out and the cuttinghead (B) in the up position.

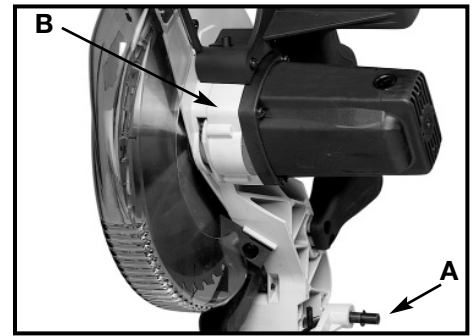


Fig. 5

MOVING TABLE TO THE 0° CUT-OFF POSITION

1. Rotate locking knob (A) Fig. 6 counter-clockwise as far as it will go. Depress lever (B) and rotate table (C) to the 0° straight cut-off position, release lever (B), and tighten locking knob (A).
2. Fig. 7 illustrates the table (C) in the 0° straight cut-off position.
3. For proper operation and adjustment of the table, refer to sections, “**ROTATING TABLE FOR MITER CUTTING**” and “**ADJUSTING SLIDING FIT BETWEEN MOVABLE TABLE AND BASE.**”

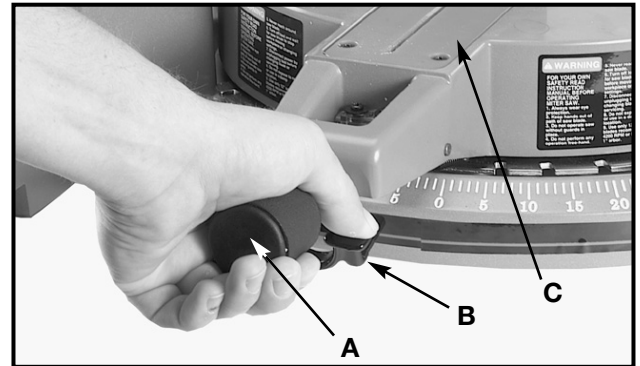


Fig. 6

ATTACHING EXTENSION TABLE AND FENCE SLIDE

1. Attach flat washers to the two 5/16-18 x 3/4” screw assemblies (A) Fig. 7A, and thread into the threaded holes on left side of the saw.

NOTE: Turn the screws only a few threads into the holes at this time.

2. Attach the table extension (B) Figs. 7A and 7B, to left side of saw table, making sure groove of table extension (B) is inside flat washers (C) as shown in Fig. 7B.

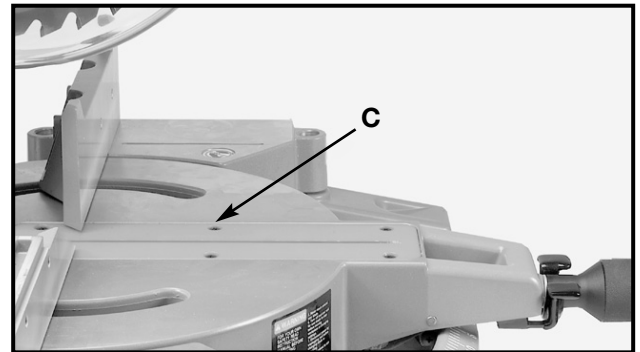


Fig. 7

3. Use a straight edge (C) Fig. 7C, to make the extension table (B) even with saw table (D), and tighten the two screws (C) Fig. 7B.

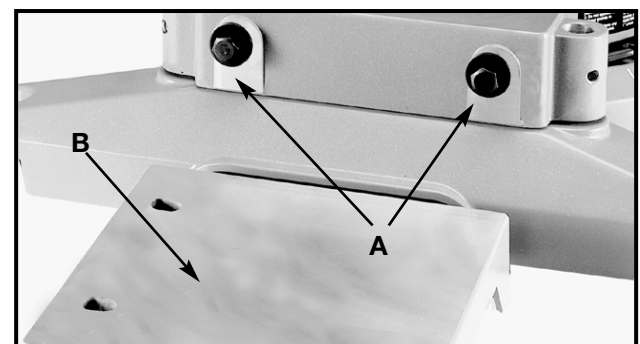


Fig. 7A

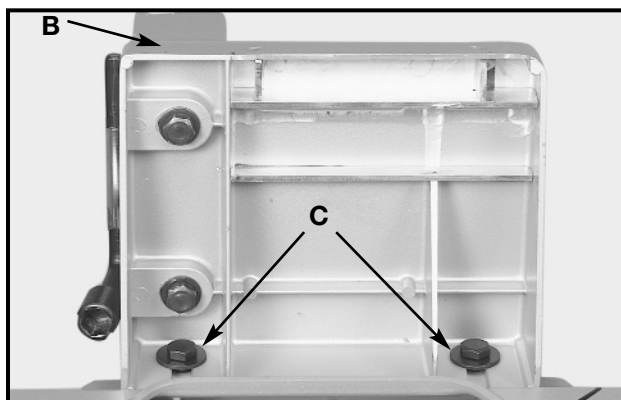


Fig. 7B

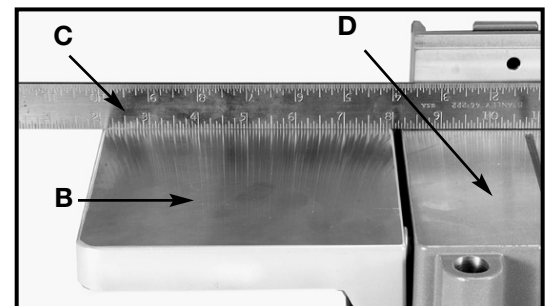


Fig. 7C

- Attach the fence slide support (E) Fig. 7D, to the extension table (B) by using the two 5/16-18 x1 1/4" long hex head screws, 5/16" lockwashers and 5/16" flat washers (F). Place lockwasher, then flat washer on screw and bring screws up through the two holes (G) in table extension and thread them into the two threaded holes (H) on bottom of fence slide support.

NOTE: Do not completely tighten screws at this time.

- Use a straight edge (C) Fig. 7E, to align the fence slide support (E) with saw fence (J), and tighten the two screws.
- Position the fence slide (K) Fig. 7F, in position on top of saw fence (J) and fence slide support (E). Slide fence slide (K) back and forth several times to check alignment of fence slide support (E). Make any necessary final adjustments to fence slide support.
- Remove screw and spring (L) Fig. 7G, and lock handle (M) from locking stud (N).
- Place 1/4" flat washer (O) Fig. 7G, onto locking stud (N) and insert locking stud (N) Fig. 7H, through slot in fence slide.
- Position lock handle (M) Fig. 7J, on stud and replace screw and spring (L) that were removed in **STEP 7**. **NOTE:** Lock handle (M) is spring-loaded and can be repositioned by lifting up on handle.

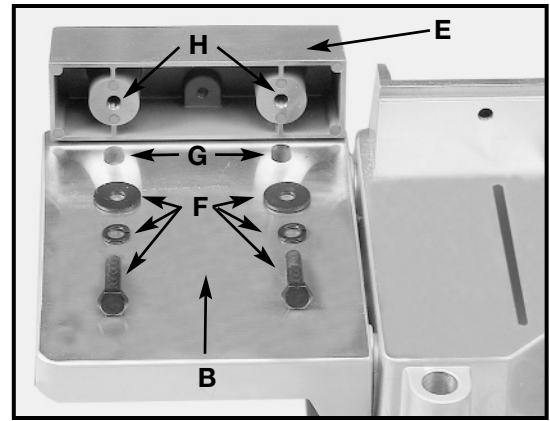


Fig. 7D

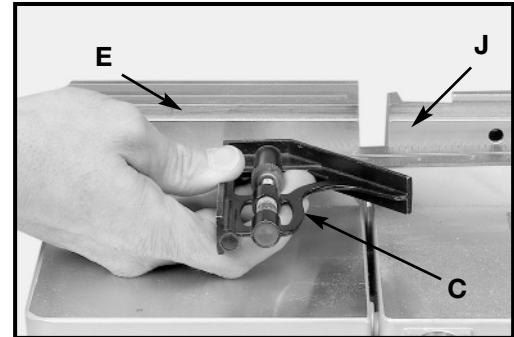


Fig. 7E

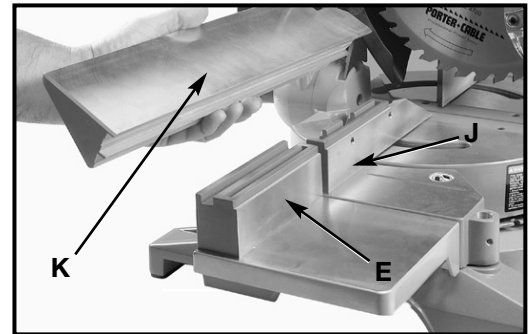


Fig. 7F

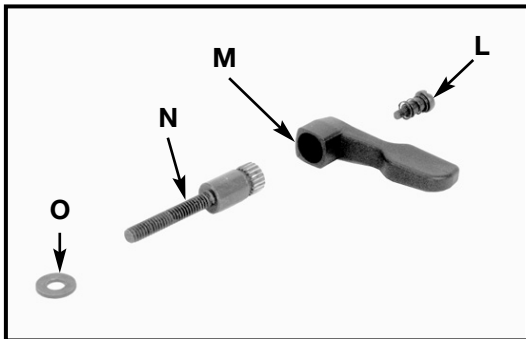


Fig. 7G

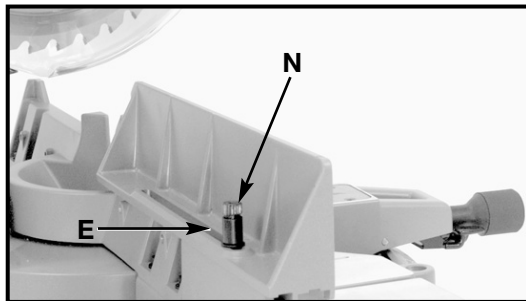


Fig. 7H

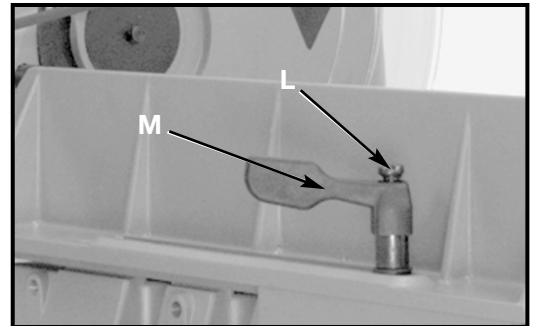


Fig. 7J

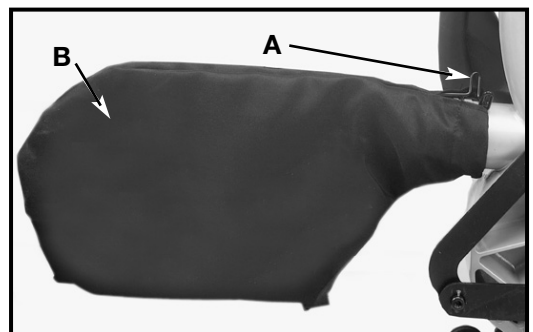


Fig. 8

ATTACHING DUST BAG

Depress spring clips (A) Fig. 8, of dust bag (B) and clip dust bag (B) over rib of dust chute.

FASTENING MACHINE TO SUPPORTING SURFACE

Before operating your compound miter saw, firmly mount it to a workbench or other supporting surface. Four holes, (A) Fig. 9, are provided for fastening the saw to a supporting surface.

When frequently moving the saw from place to place, mount the saw to a 3/4" piece of plywood. The saw can then be easily moved from place to place and the plywood can be clamped to the supporting surface using "C" clamps.

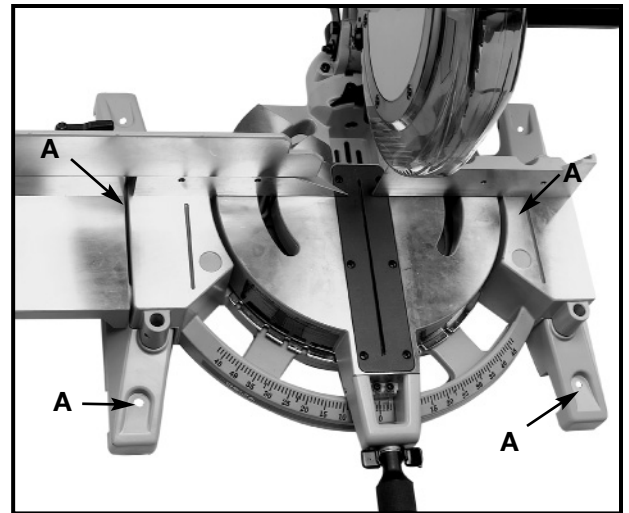


Fig. 9

OPERATION

OPERATIONAL CONTROLS AND ADJUSTMENTS

STARTING AND STOPPING MACHINE

To start the machine, depress switch trigger (A) Fig. 10. To stop the machine, release the switch trigger.

This saw is equipped with an automatic electric blade brake. As soon as the switch trigger (A) Fig. 10, is released, the electric brake is activated and stops the blade in seconds.

⚠ WARNING A TURNING SAW BLADE CAN BE DANGEROUS. AFTER COMPLETING CUT, RELEASE SWITCH TRIGGER (A) FIG. 10, TO ACTIVATE BLADE BRAKE. KEEP CUTTINGHEAD DOWN UNTIL BLADE HAS COME TO A COMPLETE STOP.

⚠ WARNING THE TORQUE DEVELOPED DURING BRAKING MAY LOOSEN THE ARBOR SCREW (E) FIG. 42. THE ARBOR SCREW SHOULD BE CHECKED PERIODICALLY AND TIGHTENED IF NECESSARY.

LOCKING SWITCH IN THE "OFF" POSITION

IMPORTANT: When the miter saw is not in use, the switch should be locked in the OFF position using a padlock (B) Fig. 11, with a 3/16" diameter shackle to prevent unauthorized use of the saw.

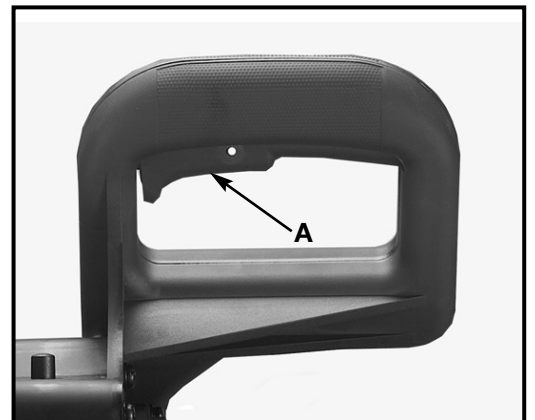


Fig. 10

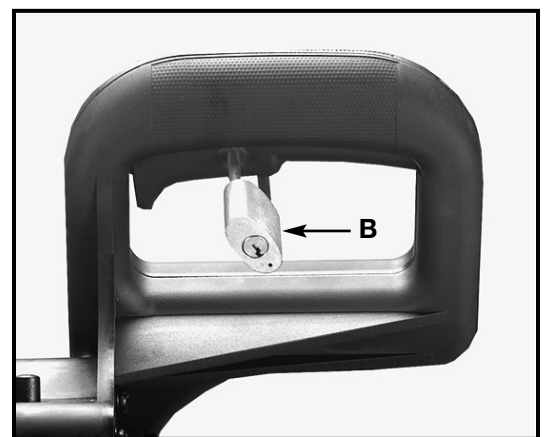


Fig. 11

ROTATING THE TABLE FOR MITER SAW CUTTING

1. The compound miter saw will cut any angle from a straight 0° cut to 47° right and left. Turn locking knob (A) Fig. 12 counterclockwise, depress lock lever (B), and rotate table to desired position.
2. The compound miter saw is equipped with positive stops at the 0° cut-off position and at the 15°, 22.5°, 31.62°, and 45° left and right positions.
3. The center line, (C) Fig. 13, on the cursor indicates the actual angle of cut. Each scale line (B) represents 1°. In effect, when the center line (C) is moved from one line to the next on the scale, the angle of the cut is changed by 1°.
4. The pointer is provided with two additional lines (D) and (E), Fig. 13. This allows movement of the control arm exactly 1/2°. For example, assume the center line (C) is pointing to the 10° mark on the scale, as indicated, and the angle of cut is 1/2° to the right. Move the control arm until the right line (E) lines up with the next line on the scale. The angle of cut will then be changed 1/2° to the right. If you change the angle of cut 1/2° to the left, use the left line (D) in the same manner.

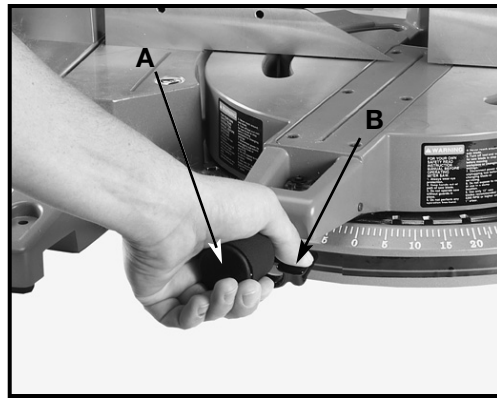


Fig. 12

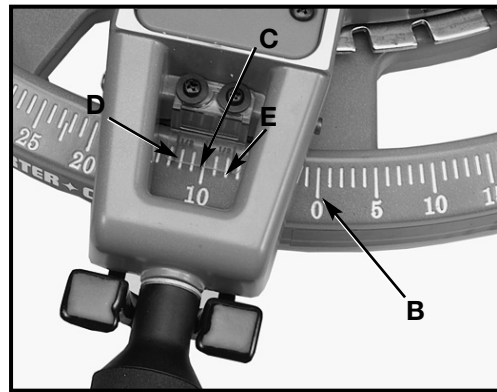


Fig. 13

ADJUSTING SLIDING FIT BETWEEN MOVABLE TABLE AND BASE

1. **⚠ WARNING** DISCONNECT THE MACHINE FROM THE POWER SOURCE.
2. To adjust the sliding fit between the movable table and the base, turn nut (A) Fig. 14, clockwise to increase the sliding fit (opposite to decrease the fit). This adjustment should not be so tight that it restricts the rotating movement of the table, or so loose that it affects the accuracy of the saw.

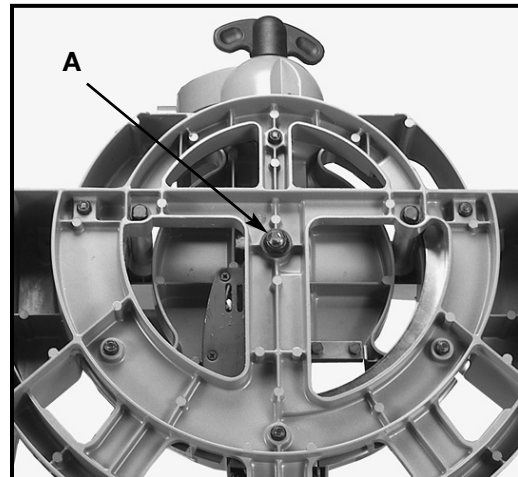


Fig. 14

ADJUSTING FENCE 90° TO BLADE

IMPORTANT: BEFORE MAKING THIS ADJUSTMENT, SET THE BLADE AT 0° TO THE TABLE. SEE SECTION "ADJUSTING 0° AND 45° BEVEL POSITIVE STOPS."

1. **⚠ WARNING** DISCONNECT THE MACHINE FROM THE POWER SOURCE.
2. Rotate the movable table so that the blade is 90° to the fence and the positive stop is set for 0°.
3. Place one end of a framing square (A) Fig. 15 against the front of the fence (B) and the other end against the blade (C), with the blade locked in the down position. The fence should be 90° to the blade.
4. If an adjustment is necessary, the fence, (B) Fig. 15, can be adjusted by loosening four screws, two of which are shown at (D), that attach the fence to the base. Use the wrench supplied. Adjust the fence (B), and tighten the four screws (D).
5. When the fence is 90° to the blade, adjust the cursor (F) Fig. 16, so the pointer is aligned with the 0° mark on the scale by loosening two screws, (G), adjusting cursor (F) and tightening screws (G).

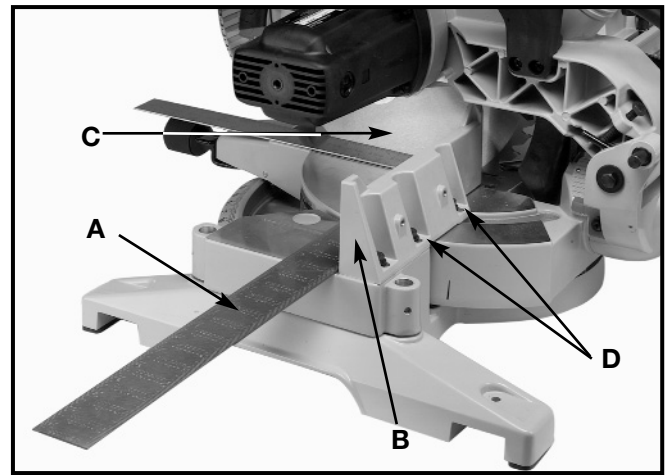


Fig. 15

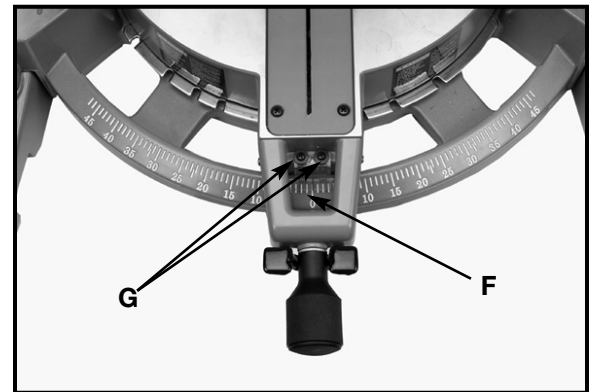


Fig. 16

TABLE HAZARD ZONE

⚠ WARNING THE AREA INSIDE THE TWO RED LINES (A) FIG. 17 ON THE TABLE IS DESIGNATED AS A HAZARD ZONE. **NEVER** PLACE YOUR HANDS INSIDE THIS AREA WHILE THE TOOL IS BEING OPERATED. ALWAYS USE A CLAMP TO SECURE SHORT WORKPIECES.

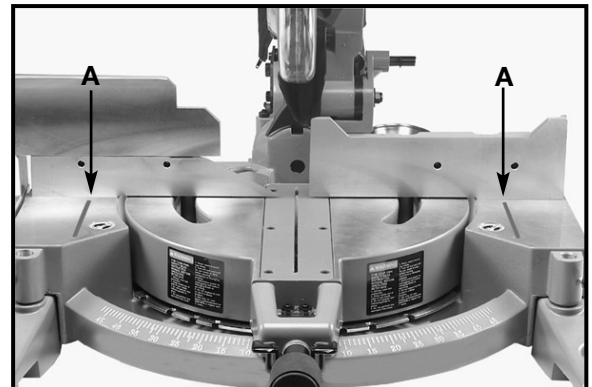


Fig. 17

TILTING CUTTINGHEAD FOR BEVEL CUTTING

IMPORTANT: MOVE THE SLIDING FENCE TO THE LEFT TO PROVIDE CLEARANCE FOR THE BLADE AND GUARD. THE DEGREES OF TILT DETERMINES HOW FAR TO MOVE THE SLIDING FENCE. REFER TO THE SECTION "ADJUSTING SLIDING FENCE."

1. **⚠ WARNING** DISCONNECT THE MACHINE FROM THE POWER SOURCE.
2. The cuttinghead of your compound miter saw can be tilted to cut any bevel angle from a 90° straight cut-off to a 45° left bevel angle. Loosen bevel lock handle (A) Fig. 18, tilt cuttinghead (B) to the desired angle, and tighten lock handle (A).
3. Positive stops are provided to rapidly position the saw blade at 90° and 45° to the table. Refer to the section of this manual titled "**ADJUSTING 90° AND 45° BEVEL POSITIVE STOPS.**" The bevel angle of the cutting arm is determined by the position of the pointer (C) Fig. 19, on scale (D).
4. In addition, a marked indicator (M) is provided on the bevel scale (33.9°) for cutting crown moulding. Refer to the "**CUTTING CROWN MOULDING**" section of this manual.

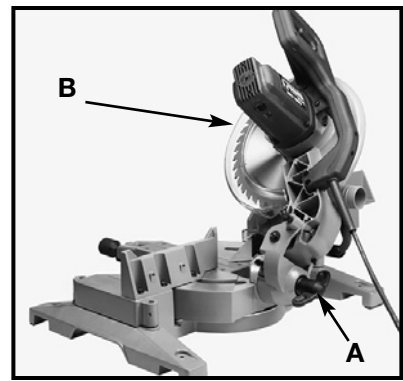


Fig. 18

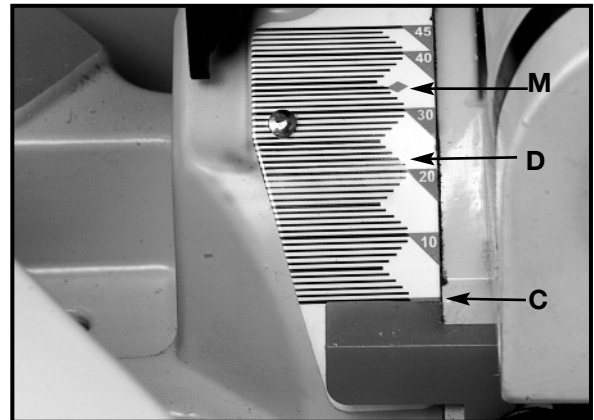


Fig. 19

ADJUSTING SLIDING FENCE

The high sliding fence Fig. 20, provides support for extra large workpieces used with your saw and should always be set as close as possible to the saw blade. When miter cutting (set blade 90° to the table and at an angle to the right or left), the fence should be set all the way toward the blade, (Fig. 20). When bevel cutting, however (blade tilted at an angle to the table), the fence (A) Fig. 21, should be moved away from the blade to allow for proper clearance for the saw blade and guard, (Fig. 21). To reposition the fence, loosen the lock handle (B), and slide the fence (A) to the desired location. Tighten the lock handle (B).

NOTE: Lock handle (B) is spring-loaded and can be repositioned. Pull up on handle to reposition it on the serrated nut located underneath handle.

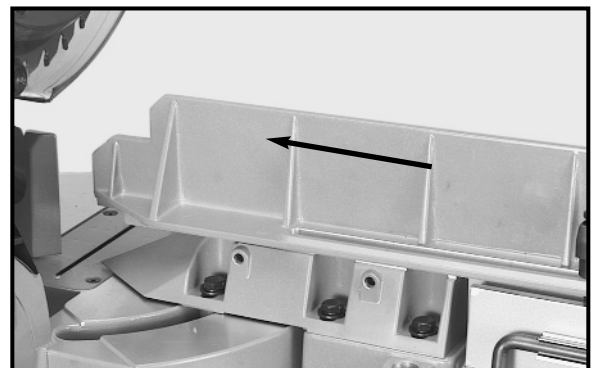


Fig. 20

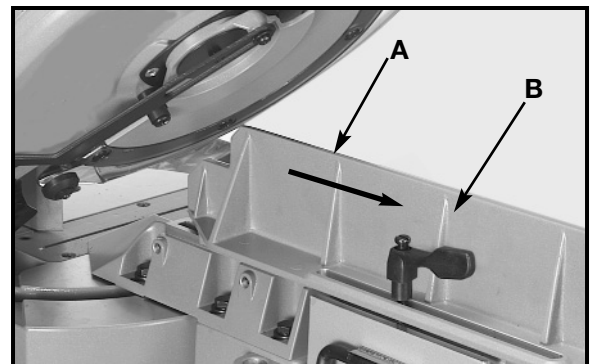


Fig. 21

ADJUSTING CHIP DEFLECTOR

1. **⚠ WARNING** DISCONNECT THE MACHINE FROM THE POWER SOURCE.
2. A chip deflector (A) Fig. 22, is supplied to help prevent scrap or cut-off pieces from entering the upper blade guard. The chip deflector (A) should be adjusted so that it is almost touching the side of the blade. Loosen screw (B), adjust chip deflector (A) and tighten screw (B).

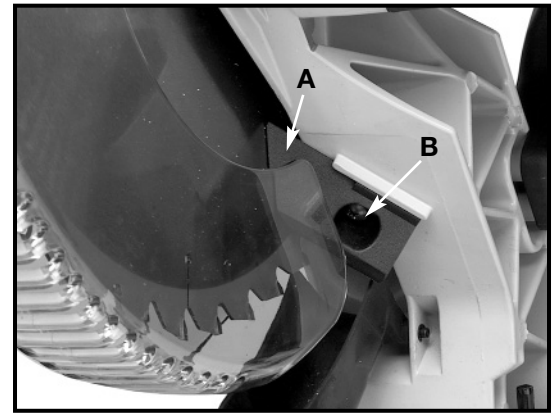


Fig. 22

ADJUSTING 0° AND 45° BEVEL POSITIVE STOPS

1. **⚠ WARNING** DISCONNECT THE MACHINE FROM THE POWER SOURCE.
2. Adjust saw so that both bevel and miter pointers are set at 0°. Tighten bevel lock handle and lock cuttinghead in down position.
3. Place one end of a square (A) Fig. 23 on the table and the other end against the blade. The blade should be set at 90° to the table.
4. If an adjustment is necessary, loosen bevel lock handle (H) Fig. 24. Loosen locknut (B) and turn adjusting screw (C), with wrenches provided, until blade is 90° to the table. Tighten locknut (B) and bevel lock handle (H).
5. When the blade is 90° to the table, adjust the pointer to line up with the 0° mark on the bevel scale.
6. Loosen bevel lock handle (H) Fig. 24, and move cuttinghead all the way to the left bevel position and tighten bevel lock handle.
7. Use a square (A) Fig. 25, to see if the blade is at 45° to the table.
8. If an adjustment is necessary, loosen the bevel lock handle. Loosen the locknut (E) Fig. 26, and turn the adjusting screw (F), with wrenches provided, until the blade is 45° to the table. Tighten locknut (E) and bevel lock handle.
9. These positive stops enable the operator to rapidly position the blade at the most common bevel angles to the table, 90° and 45°.

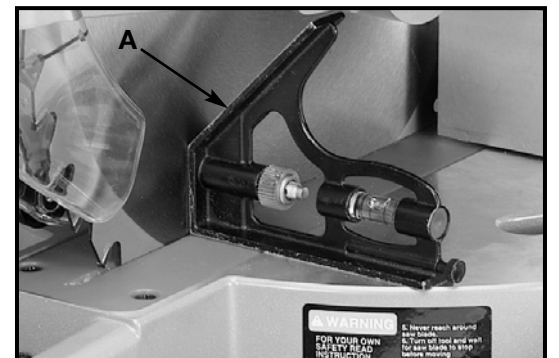


Fig. 23

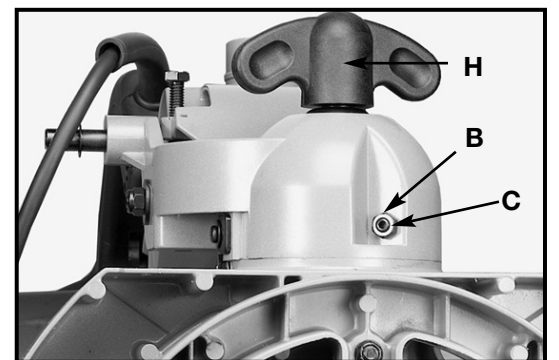


Fig. 24



Fig. 25

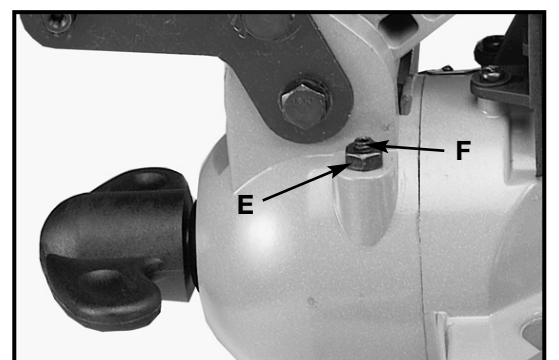


Fig. 26

ADJUSTING SLIDING FIT BETWEEN TRUNNION AND BEVEL BRACKET

After a long period of time, it may become necessary to adjust the sliding fit between the trunnion and the bevel bracket by tightening the adjusting nut (C), Fig. 27, located underneath the bevel lock (A), Fig. 27, and collar (B) Fig. 27.

Correct adjustment provides for a good snug sliding fit between these two parts. This adjustment should not be so tight that it restricts the tilting movement of the trunnion when bevel cutting, or so loose that it affects the accuracy of the saw cut.

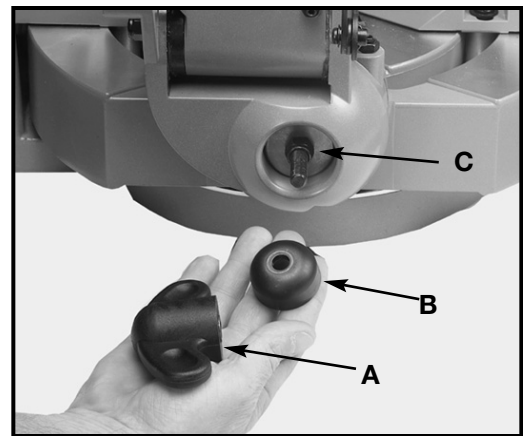


Fig. 27

ADJUSTING THE TENSION OF CUTTINGHEAD RETURN SPRING

The tension of the cuttinghead return spring has been adjusted at the factory in order that the cuttinghead returns to the up position after a cut has been made. To re-adjust the spring tension, turn adjusting screw (A) Fig. 28, clockwise to increase or counterclockwise to decrease the spring tension.

ADJUSTING SLIDING FIT BETWEEN CUTTINGHEAD ARM AND TRUNNION

After a long period of time, an adjustment of the sliding fit between the cuttinghead arm (B) Fig. 28, and the trunnion (C) may be necessary. To adjust, tighten nut (D). Correct adjustment is a good snug sliding fit between these two parts. This adjustment should not be so tight that it restricts the sliding movement of the cuttinghead arm (B) or so loose that it affects the accuracy of the saw cut.

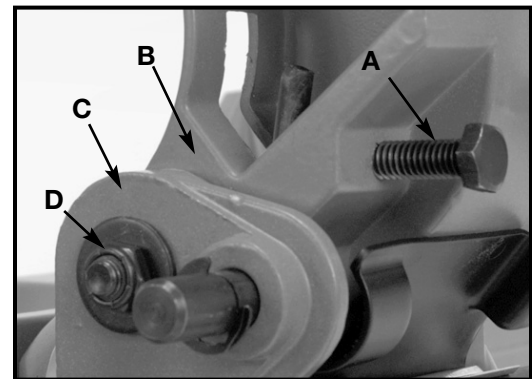


Fig. 28

ADJUSTING DOWNWARD TRAVEL OF SAW BLADE

- ⚠ WARNING DISCONNECT THE MACHINE FROM THE POWER SOURCE.**
- The downward travel of the saw blade can be limited to prevent the saw blade from contacting any metal surfaces of the machine. This adjustment is made by loosening locknut (A) Fig. 29, and turning adjusting screw (B) in or out until other end of screw (B) contacts stop (C) at the full downward travel of the saw blade.
- Lower the blade as far as possible. Rotate the blade by hand to make certain the teeth do not contact any metal surfaces and adjust if necessary. After adjustment is completed, tighten locknut (A) Fig. 29.

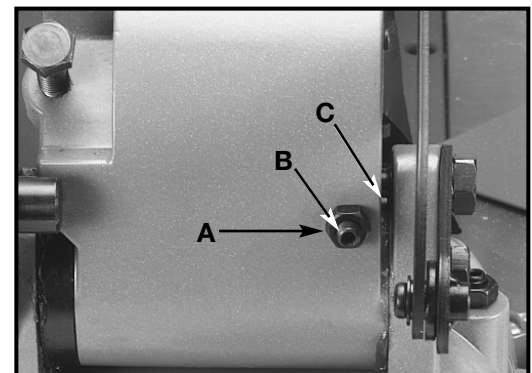


Fig. 29

ADJUSTING LOWER BLADE GUARD

After an extended period of use the movable lower blade guard (A) Fig. 30, may not operate smoothly when the cuttinghead is lowered. This can be corrected by adjusting nut (B) until the lower blade guard (A) moves freely.

⚠ WARNING DO NOT OVER TIGHTEN THE NUT AS THIS COULD MAKE THE GUARD HARD TO MOVE.

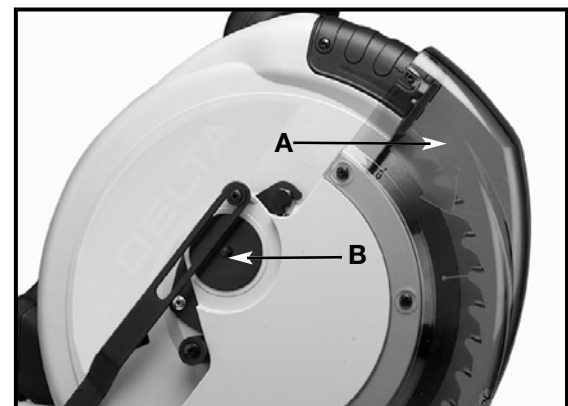


Fig. 30

LASER USE AND ADJUSTMENTS

The TwinLaser™ laser units are mounted in a housing that is fitted into the upper blade guard of the miter saw (Fig. A). The lasers project a beam of light downward, along both sides and parallel to the saw blade. This beam of light produces a line-of-cut indicator (a red outline of where the saw blade will cut) on the workpiece.

ADJUSTING THE TwinLaser™ LINES

Each of the laser lines have been aligned parallel to the blade at the factory and should not need any adjustment prior to use. However, left-to-right adjustment to the laser lines may be necessary if you change to a thicker or thinner kerf blade. For information on changing your blade, refer to the "Maintenance: Changing the Blade" section of this manual. To adjust the laser lines to the edge of the cut, follow the instructions below.

HOW THE LASERS WORK

The laser units are mounted in a housing that is fitted into the upper blade guard of the miter saw (Fig. A). The lasers project a beam of light downward, along both sides and parallel to the saw blade. This beam of light produces a line-of-cut indicator (a red outline of where the saw blade will cut) on the workpiece. The laser units are aligned to the original equipment blade at the factory and are secured in place. A test cut has been made with each saw to verify laser setup. If your saw becomes misaligned or you desire additional precision, this guide is intended to assist you in fine tuning your laser miter saw.

HOW TO CHECK LASER ALIGNMENT

Make sure the saw is set to 0 degrees miter and bevel and clamp a 2"x 6" board on the saw. Create a partial/test cut in the workpiece (Fig. C). Turn the laser "ON/OFF" switch (Fig. B) to the "ON" position. Leave the workpiece clamped in place for the remainder of the adjustment.

CAUTION  Observe laser CAUTION label (L) Fig. B.

WARNING Place a padlock Fig. B (with $\frac{3}{16}$ " shackle) through hole in trigger switch and lock to prevent accidental motor startup. This padlock **MUST** remain in place during the adjustment procedure.

The laser lines are properly positioned when the beams of light fall on the edge of the cut created by the blade (Fig. D).

TO CHECK FOR ROTATIONAL ALIGNMENT

The rotation of the lines is set parallel at the factory and permanently secured. There is no user adjustment for rotational alignment and you should never twist the brass hex nut in Fig. E.



Fig. A

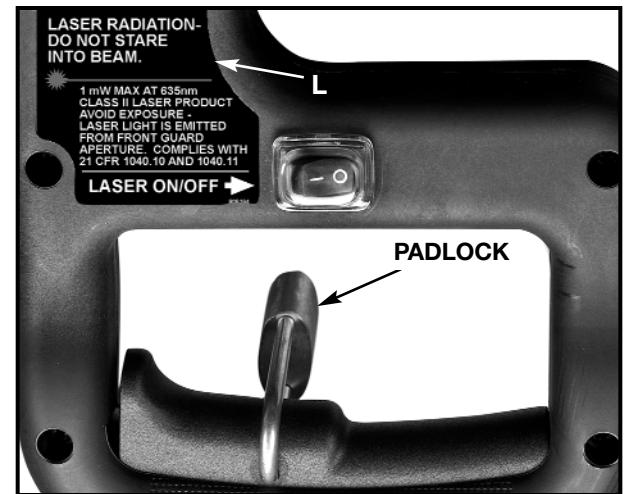


Fig. B

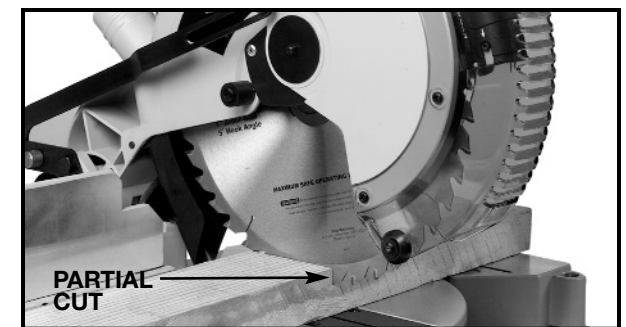


Fig. C



Fig. D



Fig. E

TO CHECK FOR VERTICAL ALIGNMENT

1. The vertical alignment is set correctly when the lines do not move horizontally (sideways) as the saw head is raised and lowered. If vertical alignment is correct jump to **"TO SET LEFT AND RIGHT KERF ADJUSTMENT"**.
2. If the vertical alignment needs to be adjusted, begin by backing the left and right kerf adjustment screws one half turn clockwise. Remove the laser unit cover by removing the phillips screw on either side of the cover. (Fig. A).
3. Use the 1/8" hex wrench to turn the left or right vertical alignment set screws. If as the saw head goes from a raised to a lowered position and the laser line moves horizontally away from the blade, turn vertical alignment set screw clockwise to correct. If the laser line moves horizontally towards the blade, turn vertical alignment set screw counter-clockwise to correct. (Fig. F)
4. Reinstall cover removed in **step 1**, and continue to **"TO SET LEFT AND RIGHT KERF ADJUSTMENT"**.

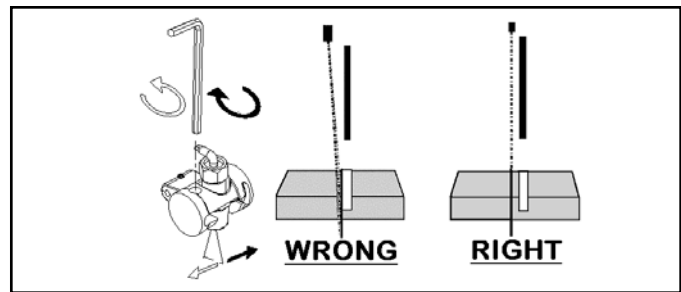


Fig. F

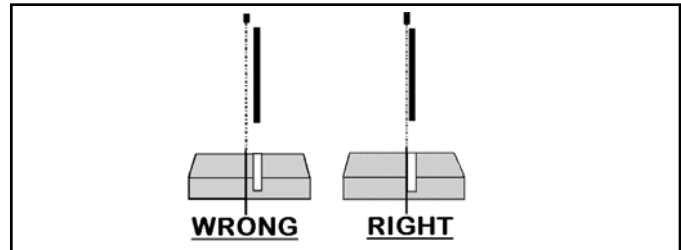


Fig. G

TO SET LEFT and RIGHT KERF ADJUSTMENT

1. Use the 1/8" hex wrench to turn the left or right kerf adjustment screws and set the laser lines to either side of the test cut (Fig. G). To adjust the left line turn the left kerf adjustment screw counter-clockwise to move the line toward the blade and clockwise to move the line away from the blade. To adjust the right line turn the right kerf adjustment screw counter-clockwise to move the line toward the blade and CW to move the line away from the blade. (Fig. H)

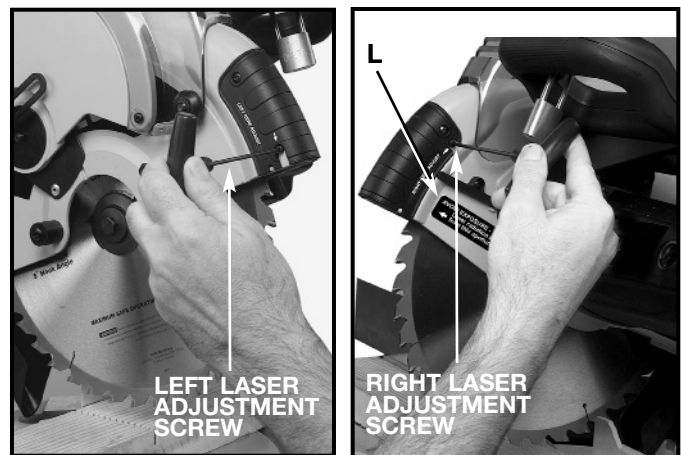



Fig. H

CAUTION  Observe laser CAUTION label (L) Fig. H.

2. Remove the padlock and use normally.

TwinLaser™ MAINTENANCE

For best laser performance, perform the following maintenance regularly:

1. **WARNING** DISCONNECT THE MACHINE FROM THE POWER SOURCE.
2. Carefully clean sawdust from each laser lens with a cotton swab Fig. J. Do not use solvents of any kind since they may damage the lens. Avoid touching sharp points of saw blade with your hands or fingers. Dust build-up can block the laser and prevent it from accurately indicating the line of cut.
3. Remove blade from saw and clean pitch build-up from blade Fig. K Pitch build-up can block the laser and prevent it from accurately indicating the line of cut.

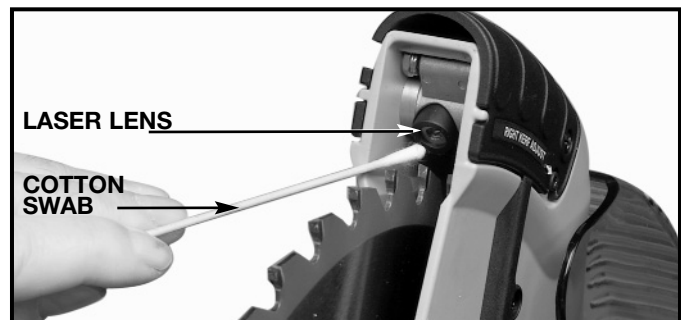


Fig. J



Fig. K

MACHINE USE

TYPICAL OPERATIONS AND HELPFUL HINTS

1. Before cutting, make certain the cutting arm and table area are at their correct settings and firmly locked in place.
2. Before cutting, determine that the workpiece is the right size for the saw.
3. Place the workpiece on the table and hold or clamp it firmly against the fence.
4. **▲WARNING** If the size of the workpiece causes your hand to be inside the table hazard zone (see section “**TABLE HAZARD ZONE**” **SEE FIG. 17**), use a clamp to secure the workpiece.
5. For best results, cut at a slow, even cutting rate.
6. Never attempt any freehand cutting (wood that is not held firmly against the fence and table).

AUXILIARY WOOD FENCE

▲WARNING When performing multiple or repetitive cut-off operations that result in small cut-off pieces (one inch or less), the saw blade can catch the cut-off pieces and project them out of the machine or into the blade guard and housing, possibly causing damage and/or injury. In order to limit the possibility of personal injury or blade guard damage, an auxiliary wood fence can be mounted to your saw as follows:

Holes are provided in the fence to attach an auxiliary fence (A) and (B) Fig. 31. This auxiliary fence is constructed of straight wood approximately 1/2" thick by 3" high by 16 inches long as shown at (B); and 1/2" thick by 5" high by 17" long (A) Fig. 31.

NOTE: The auxiliary fence is used **only** with the saw blade in the 0° bevel position (90°) to the table. The auxiliary fence must be removed for all bevel cuts (blade tilted).

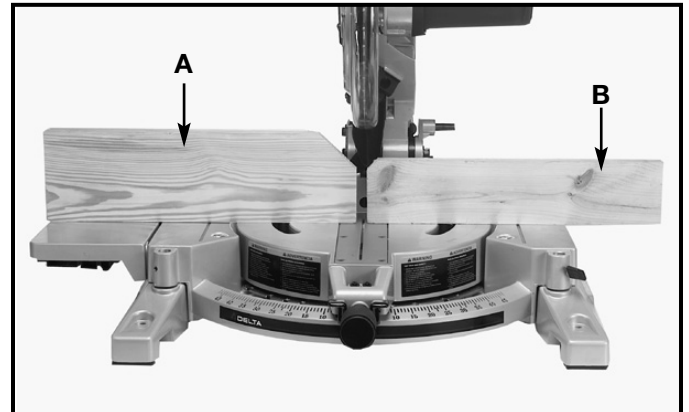


Fig. 31

CUTTING ALUMINUM

Aluminum extrusions (aluminum screens and storm windows) can easily be cut with your miter saw. When cutting aluminum extrusions, or other sections that can be cut with a saw blade and are within the capacity of the machine, position the material so the blade is cutting through the smallest cross-section, as shown in Fig. 32. The wrong way to cut aluminum angles is illustrated in Fig. 33. Be sure to apply a stick wax (similar to Johnson's stick wax #140) to the blade before cutting any aluminum stock. This stick wax is available at most industrial mill supply houses. The stick wax provides proper lubrication and keeps chips from adhering to the blade.

▲WARNING NEVER APPLY LUBRICANT TO THE BLADE WHILE THE BLADE IS RUNNING.

CUTTING BOWED MATERIAL

1. First check to see if the material is bowed. If it is, make sure the material is positioned on the table as shown in Fig. 34.
2. If the material is positioned the wrong way, as shown in Fig. 35, the workpiece will pinch the blade near the completion of the cut.

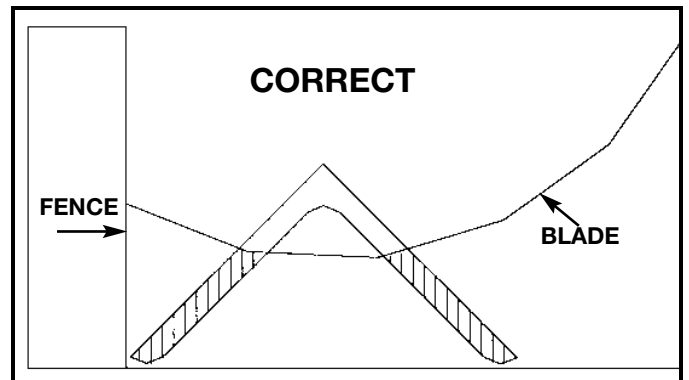


Fig. 32

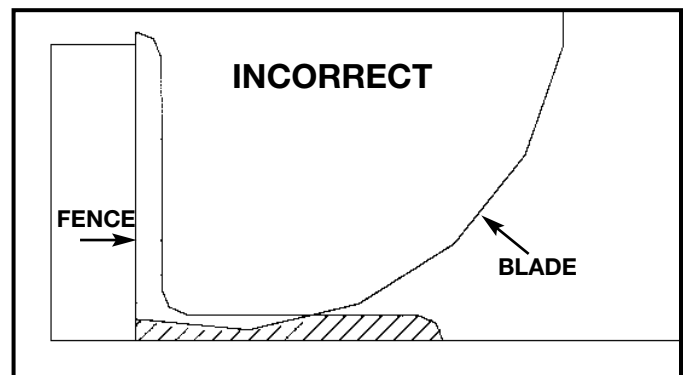


Fig. 33

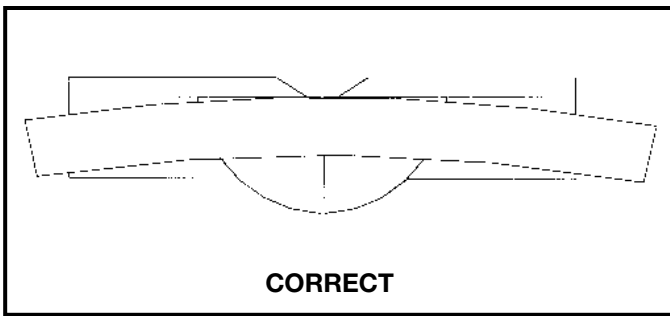


Fig. 34

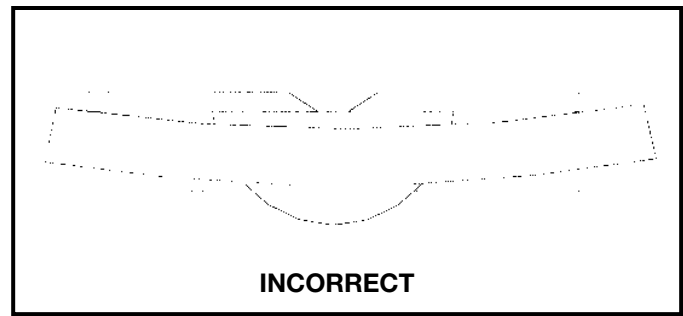


Fig. 35

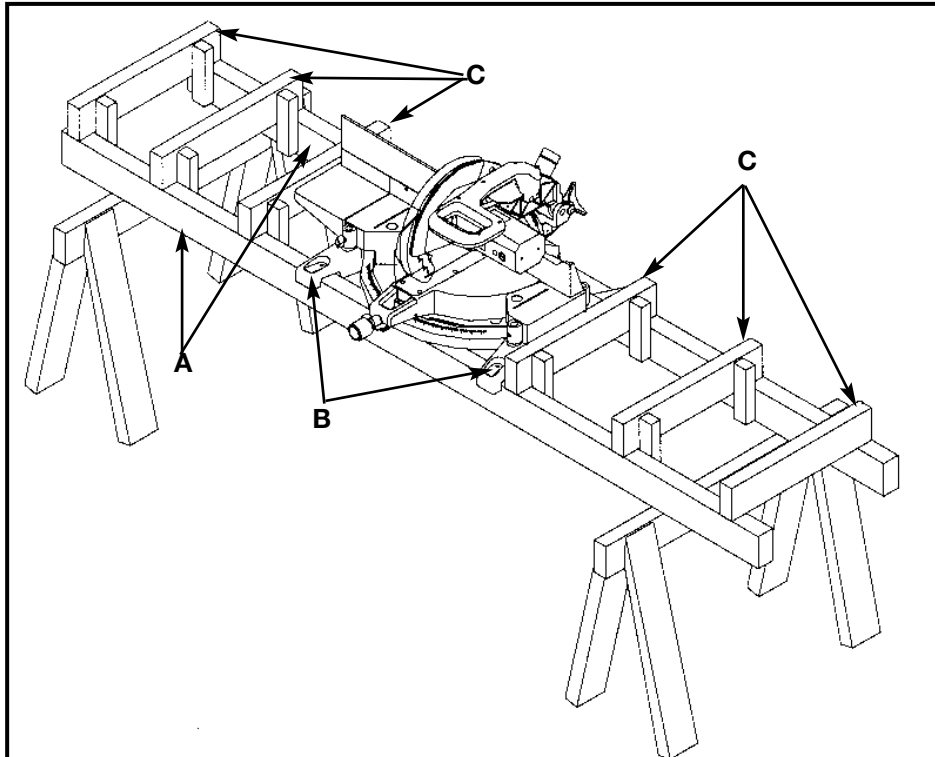


Fig. 36

WORK SUPPORT EXTENSIONS

For support when cutting long pieces, construct a work support extension. Fig. 36 illustrates the miter saw mounted on two standard 2 x 4's (A). Fasten the four mounting legs (two of which are shown at (B) Fig. 36) to the 2 x 4's, using four screws (not supplied) through the four holes in the mounting legs. The length of the 2 x 4's (A) can vary, depending on the workpiece.

NOTE: Ensure that the top of the support 2 x 4's (C) are level with the miter saw table. This is critical because the distance from the top of the 2 x 4's (A) to the miter saw table varies from saw to saw. In most cases, standard 2 x 4's (C) can be used. If these are too high, cut them to fit. If the 2 x 4's are too low, use 2 x 6's. If these are high, cut them to the correct height.

CUTTING CROWN MOULDING

One of the many features of the saw is the ease of cutting crown moulding. The following is an example of cutting both inside and outside corners on **52°/38°** wall angle crown moulding.

1. Move the table to the 31.62° right miter position and lock the table in position. **NOTE:** A positive stop is provided to find this angle quickly.
2. Tilt the saw blade to the 33.86° left bevel position and tighten bevel lock handle. **NOTE:** A triangle indicator is provided on the bevel scale to find this angle quickly.
3. Place the crown moulding on the table with the **CEILING EDGE** (see inset for example) of the moulding against the fence, and make the cut, as shown in Fig. 37.

NOTE: The piece of crown moulding used for the outside corner will always be on the right hand side of the blade, as shown at (A) Fig. 37. The piece of crown moulding used for the inside corner will always be on the left hand side of the blade, as shown at (B) Fig. 37.

4. To make the matching halves of the inside and outside corners, rotate the table to the 31.62° left miter position.

NOTE: A positive stop is provided to find this angle quickly. The saw blade is already tilted to the 33.86° bevel position from the previous cut.

5. Place the crown moulding on the table with the **WALL EDGE** (see inset for example) of the crown moulding against the fence and make the cut. Again, the piece of crown moulding used for the outside corner will always be on the right side of the blade, as shown at (C) Fig. 38. The piece of crown moulding used for the inside corner will always be on the left side of the blade, as shown at (D) Fig. 38.

6. Fig. 39 illustrates the two outside corner pieces; (A) being the piece cut at (A) Fig. 37 and (C) being the piece cut at (C) Fig. 38.

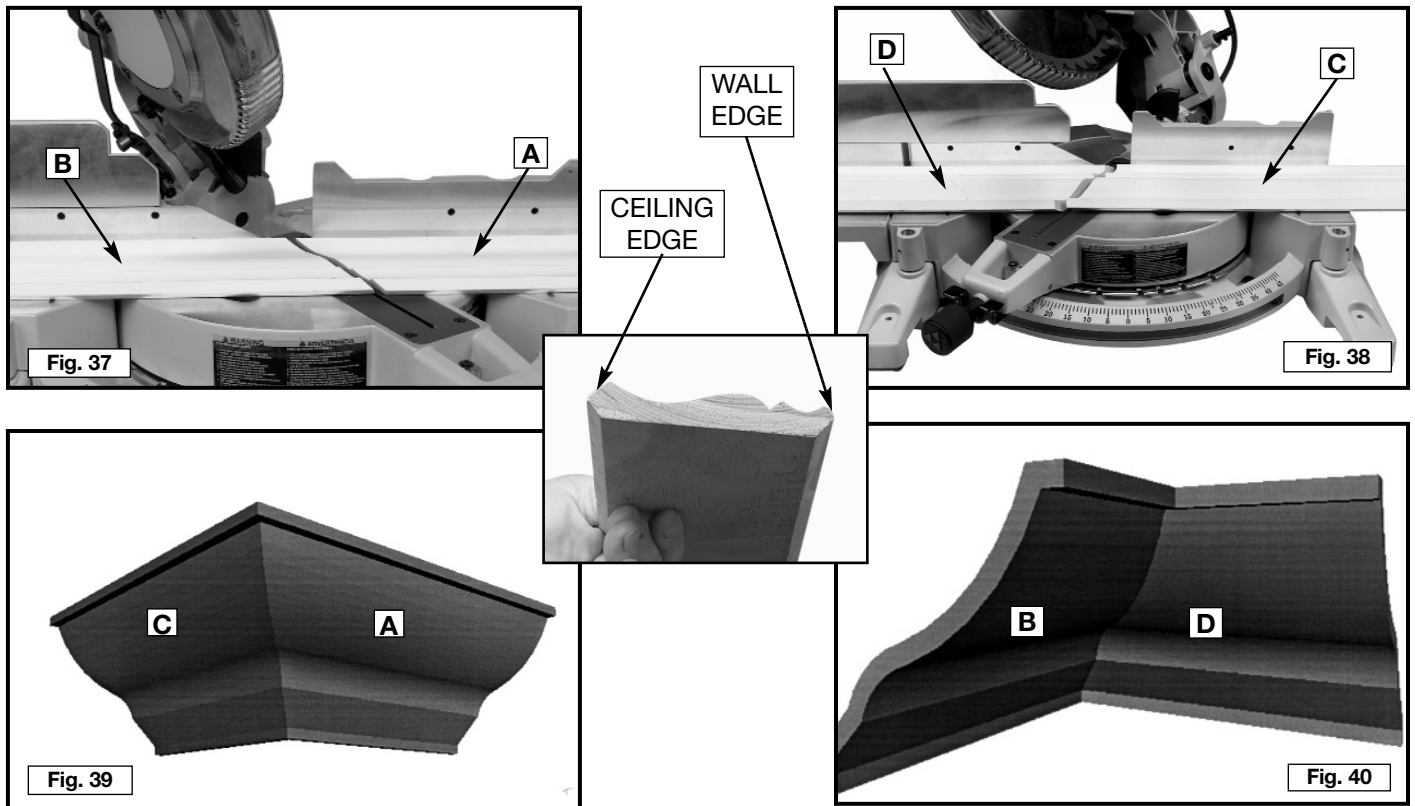
7. Fig. 40 illustrates the two inside corner pieces; (B) being the piece cut at (B) Fig. 37, and (D) being the piece cut at (D) Fig. 38.

45-45 CROWN MOULDING

NOTE: If you are cutting crown moulding that is **45°-45°**, follow the same procedure above, with the exception that the bevel position will always be at 30° and the miter position will be 35-1/4° to the right or left.

OTHER ANGLES

NOTE: The above instructions are assuming the angle between the walls is 90°. If you need help cutting crown moulding set at angles other than 90°, see the instruction sheet "**CUTTING CROWN MOULDING**" on the Delta Machinery web site at www.deltamachinery.com.



TROUBLESHOOTING

For assistance with your machine, visit our website at www.deltamachinery.com for a list of service centers or call the DELTA Machinery help line at 1-800-223-7278 (In Canada call 1-800-463-3582).

MAINTENANCE

CHANGING THE BLADE

⚠ WARNING USE ONLY CROSS-CUTTING SAW BLADES. DO NOT USE BLADES WITH DEEP GULLETS AS THEY CAN DEFLECT AND CONTACT GUARD

1. Use only 12" diameter blades with 1" arbor holes that are rated for 4000 RPM or higher.
2. **⚠ WARNING DISCONNECT THE MACHINE FROM THE POWER SOURCE.**
3. Loosen screw (A) Fig. 41, with wrench (B) (provided).
4. Rotate arbor cover (C) Fig. 42, and lower guard (D) Fig. 42, to the rear, exposing arbor screw (E).
5. Remove arbor screw (E) Fig. 42, by turning screw clockwise with wrench (supplied), while at the same time, pressing in on arbor lock (F) Fig. 43, to keep the arbor from turning. Remove outside blade flange (G) Fig. 42, and saw blade (H) Fig. 41. **DO NOT REMOVE INSIDE BLADE FLANGE.**
6. Attach the new saw blade **MAKING CERTAIN TEETH OF SAW BLADE ARE POINTING DOWN AT THE FRONT**, and attach outside blade flange (G) Fig. 42. Check to see that the flats on outside blade flange are engaged with flats on arbor shaft.
7. Thread arbor screw (E) Fig. 42, into saw arbor by turning screw (E) counterclockwise as far as possible by hand. Then tighten arbor screw (E) with wrench supplied while at the same time pressing in on arbor lock (F) Fig. 43, to keep arbor from turning.
8. Rotate arbor cover (C) Fig. 42, and lower guard (D) to the front and tighten screw (A) Fig. 41 that was loosened in **STEP 3**.

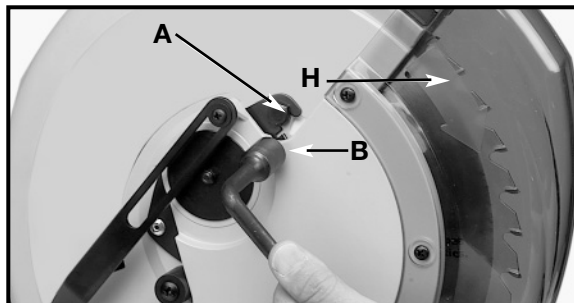


Fig. 41

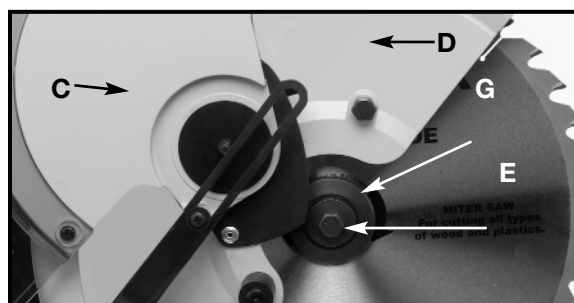


Fig. 42

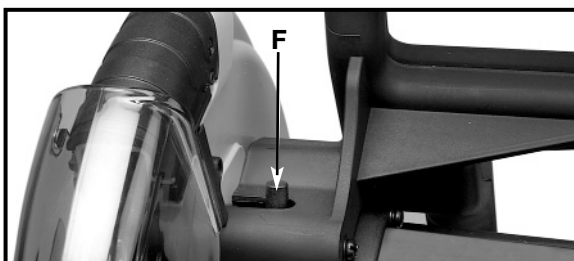


Fig. 43

BRUSH INSPECTION AND REPLACEMENT

⚠ WARNING BEFORE INSPECTING BRUSHES, DISCONNECT THE MACHINE FROM THE POWER SOURCE.

Brush life varies, depends on the load on the motor. Check the brushes after the first 50 hours of use of a new machine, or after a new set of brushes has been installed.

After the first check, examine them after about 10 hours of use, until replacement is necessary.

The brush holders (A) Fig. 44, are located on the motor housing opposite each other. Fig. 45, illustrates one of the brushes removed for inspection. When the carbon on either brush (B) is worn to 3/16" in length, or if either spring or shunt wire (C) is burned or damaged in any way, replace both brushes. If the brushes are found serviceable after removing, reinstall them in the same position.

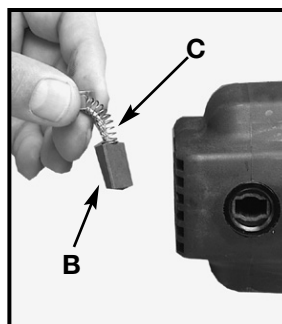


Fig. 45

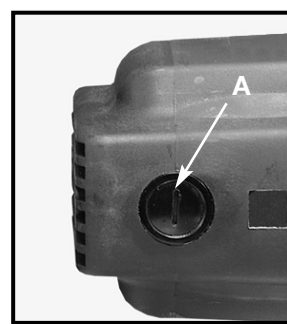


Fig. 44

KEEP TOOL CLEAN

Periodically blow out all air passages with dry compressed air. Clean all plastic parts with a soft damp cloth. NEVER use solvents to clean plastic parts. They could possibly dissolve or otherwise damage the material.

▲WARNING WEAR SAFETY GLASSES WHILE USING COMPRESSED AIR.

FAILURE TO START

Should your tool fail to start, check to make sure the prongs on the cord plug are making good contact with the outlet. Also, check for blown fuses or open circuit breakers in the line.

SERVICE



PARTS, SERVICE OR WARRANTY ASSISTANCE

All Delta Machines and accessories are manufactured to high quality standards and are serviced by a network of Porter-Cable • Delta Factory Service Centers and Delta Authorized Service Stations. To obtain additional information regarding your Delta quality product or to obtain parts, service, warranty assistance, or the location of the nearest service outlet, please call 1-800-223-7278 (In Canada call 1-800-463-3582).

ACCESSORIES

A complete line of accessories is available from your Delta Supplier, Porter-Cable • Delta Factory Service Centers, and Delta Authorized Service Stations. Please visit our Web Site www.deltamachinery.com for a catalog or for the name of your nearest supplier.

▲WARNING Since accessories other than those offered by Delta have not been tested with this product, use of such accessories could be hazardous. For safest operation, only Delta recommended accessories should be used with this product.

WARRANTY



Two Year Limited New Product Warranty

Delta will repair or replace, at its expense and at its option, any new Delta machine, machine part, or machine accessory which in normal use has proven to be defective in workmanship or material, provided that the customer returns the product prepaid to a Delta factory service center or authorized service station with proof of purchase of the product within two years and provides Delta with reasonable opportunity to verify the alleged defect by inspection. For all refurbished Delta product, the warranty period is 180 days. Delta may require that electric motors be returned prepaid to a motor manufacturer's authorized station for inspection and repair or replacement. Delta will not be responsible for any asserted defect which has resulted from normal wear, misuse, abuse or repair or alteration made or specifically authorized by anyone other than an authorized Delta service facility or representative. Under no circumstances will Delta be liable for incidental or consequential damages resulting from defective products. This warranty is Delta's sole warranty and sets forth the customer's exclusive remedy, with respect to defective products; all other warranties, express or implied, whether of merchantability, fitness for purpose, or otherwise, are expressly disclaimed by Delta.

NOTES

PORTER-CABLE • DELTA SERVICE CENTERS (CENTROS DE SERVICIO DE PORTER-CABLE • DELTA)

Parts and Repair Service for Porter-Cable • Delta Machinery are Available at These Locations
(Obtenga Refaccion de Partes o Servicio para su Herramienta en los Siguientes Centros de Porter-Cable • Delta)

ARIZONA

Phoenix 85013-2906
4501 N. 7th Ave.
Phone: (602) 279-6414
Fax: (602) 279-5470

CALIFORNIA

Ontario 91761 (Los Angeles)
3949A East Guasti Road
Phone: (909) 390-5555
Fax: (909) 390-5554

San Diego 92111
7290 Clairemont Mesa Blvd.
Phone: (858) 279-2011
Fax: (858) 279-0362

San Leandro 94577 (Oakland)
3039 Teagarden Street
Phone: (510) 357-9762
Fax: (510) 357-7939

COLORADO

Denver 80223
700 West Mississippi Ave.
Phone: (303) 922-8325
Fax: (303) 922-0245

FLORIDA

Davie 33314 (Miami)
4343 South State Rd. 7 (441)
Unit #107
Phone: (954) 321-6635
Fax: (954) 321-6638

Tampa 33634
4909 West Waters Ave.
Phone: (813) 884-0434
Fax: (813) 888-5997

GEORGIA

Forest Park 30297 (Atlanta)
5442 Frontage Road,
Suite 112
Phone: (404) 608-0006
Fax: (404) 608-1123

ILLINOIS

Addison 60101 (Chicago)
400 South Rohlwing Rd.
Phone: (630) 424-8805
Fax: (630) 424-8895

KANSAS

Overland Park 66214
9201 Quivira Road
Phone: (913) 495-4330
Fax: (913) 495-4378

MARYLAND

Elkridge 21075 (Baltimore)
7397-102 Washington Blvd.
Phone: (410) 799-9394
Fax: (410) 799-9398

MASSACHUSETTS

Franklin 02038 (Boston)
Franklin Industrial Park
101E Constitution Blvd.
Phone: (508) 520-8802
Fax: (508) 528-8089

MICHIGAN

Madison Heights 48071 (Detroit)
30475 Stephenson Highway
Phone: (248) 597-5000
Fax: (248) 597-5004

MINNESOTA

Eden Prairie 55344
9709 Valley View Road
Phone: (952) 884-9191
Fax: (952) 884-3750

MISSOURI

St. Louis 63146
11477 Page Service Drive
Phone: (314) 997-9100
Fax: (314) 997-9183

NEW YORK

Flushing 11365-1595 (N.Y.C.)
175-25 Horace Harding Expwy.
Phone: (718) 225-2040
Fax: (718) 423-9619

NORTH CAROLINA

Charlotte 28270
9129 Monroe Road, Suite 115
Phone: (704) 841-1176
Fax: (704) 708-4625

OHIO

Columbus 43229
1948 Schrock Road
Phone: (614) 895-3112
Fax: (614) 895-3187

Parma Heights OH 44130
6485 Pearl Road
Phone: (440) 842-9100
Fax: (440) 884-3430

OREGON

Portland 97230
14811 North East Airport Way
Phone: (503) 255-6556
Fax: (503) 255-6543

PENNSYLVANIA

Willow Grove 19090
(Philadelphia)
520 North York Road
Phone: (215) 658-1430
Fax: (215) 658-1433

TEXAS

Carrollton 75006 (Dallas)
1300 Interstate 35 N, Suite 112
Phone: (972) 446-2996
Fax: (972) 446-8157

Houston 77022-2122
536 East Tidwell Rd.
Phone: (713) 692-7111
Fax: (713) 692-1107

WASHINGTON

Auburn 98001(Seattle)
3320 West Valley HWY, North
Building D, Suite 111
Phone: (253) 333-8353
Fax: (253) 333-9613

Authorized Service Stations are located in many large cities. Telephone **800-438-2486** or **731-541-6042** for assistance locating one. Parts and accessories for Porter-Cable•Delta products should be obtained by contacting any Porter-Cable•Delta Distributor, Authorized Service Center, or Porter-Cable•Delta Factory Service Center. If you do not have access to any of these, call **800-223-7278** and you will be directed to the nearest Porter-Cable•Delta Factory Service Center. Las Estaciones de Servicio Autorizadas están ubicadas en muchas grandes ciudades. Llame al **800-438-2486** ó al **731-541-6042** para obtener asistencia a fin de localizar una. Las piezas y los accesorios para los productos Porter-Cable•Delta deben obtenerse poniéndose en contacto con cualquier distribuidor Porter-Cable•Delta, Centro de Servicio Autorizado o Centro de Servicio de Fábrica Porter-Cable•Delta. Si no tiene acceso a ninguna de estas opciones, llame al **800-223-7278** y le dirigirán al Centro de Servicio de Fábrica Porter-Cable•Delta más cercano.

CANADIAN PORTER-CABLE • DELTA SERVICE CENTERS

ALBERTA

Bay 6, 2520-23rd St. N.E.
Calgary, Alberta
T2E 8L2
Phone: (403) 735-6166
Fax: (403) 735-6144

BRITISH COLUMBIA

8520 Baxter Place
Burnaby, B.C.
V5A 4T8
Phone: (604) 420-0102
Fax: (604) 420-3522

MANITOBA

1699 Dublin Avenue
Winnipeg, Manitoba
R3H 0H2
Phone: (204) 633-9259
Fax: (204) 632-1976

ONTARIO

505 Southgate Drive
Guelph, Ontario
N1H 6M7
Phone: (519) 767-4132
Fax: (519) 767-4131

QUÉBEC

1515 ave.
St-Jean Baptiste, Suite 160
Québec, Québec
G2E 5E2
Phone: (418) 877-7112
Fax: (418) 877-7123

1447, Begin
St-Laurent, (Montréal),
Québec
H4R 1V8
Phone: (514) 336-8772
Fax: (514) 336-3505

The following are trademarks of PORTER-CABLE • DELTA (Las siguientes son marcas registradas de PORTER-CABLE • DELTA S.A.) (Les marques suivantes sont des marques de fabricant de la PORTER-CABLE • DELTA): Auto-Set®, BAMMER®, B.O.S.S.®, Builder's Saw®, Contractor's Saw®, Contractor's Saw II™, Delta®, DELTACRAFT®, DELTAGRAM™, Delta Series 2000™, DURATRONIC™, Emc2™, FLEX®, Flying Chips™, FRAME SAW®, Grip Vac™, Homecraft®, INNOVATION THAT WORKS®, Jet-Lock®, JETSTREAM®, 'kickstand®, LASERLOC®, MICRO-SET®, Micro-Set®, MIDI LATHE®, MORTEN™, NETWORK™, OMNIJIG®, POCKET CUTTER®, PORTA-BAND®, PORTA-PLANE®, PORTER-CABLE®&(design), PORTER-CABLE®PROFESSIONAL POWER TOOLS, PORTER-CABLE REDEFINING PERFORMANCE™, Posi-Matic®, Q-3®&(design), QUICKSAND®&(design), QUICKSET™, QUICKSET II®, QUICKSET PLUS™, RIPTIDE™&(design), SAFE GUARD II®, SAFE-LOC®, Sanding Center®, SANDTRAP®&(design), SAW BOSS®, Sawbuck™, Sidekick®, SPEED-BLOC®, SPEEDMATIC®, SPEEDTRONIC®, STAIR EASE®, The American Woodshop®&(design), The Lumber Company®&(design), THE PROFESSIONAL EDGE®, THE PROFESSIONAL SELECT®, THIN-LINE™, TIGER®, TIGER CUB®, TIGER SAW®, TORQBUSTER®, TORQ-BUSTER®, TRU-MATCH™, TWIN-LITE®, UNIGUARD®, Unifence®, UNIFEEDER™, Unihead®, Uniplane™, Unirip®, Unisaw®, Univise®, Versa-Feeder®, VERSA-PLANE®, WHISPER SERIES®, WOODWORKER'S CHOICE™.

Trademarks noted with ™ and ® are registered in the United States Patent and Trademark Office and may also be registered in other countries. Las Marcas Registradas con el signo de ™ y ® son registradas por la Oficina de Registros y Patentes de los Estados Unidos y también pueden estar registradas en otros países.

PC7.2-0105-149

Free Manuals Download Website

<http://myh66.com>

<http://usermanuals.us>

<http://www.somanuals.com>

<http://www.4manuals.cc>

<http://www.manual-lib.com>

<http://www.404manual.com>

<http://www.luxmanual.com>

<http://aubethermostatmanual.com>

Golf course search by state

<http://golfingnear.com>

Email search by domain

<http://emailbydomain.com>

Auto manuals search

<http://auto.somanuals.com>

TV manuals search

<http://tv.somanuals.com>