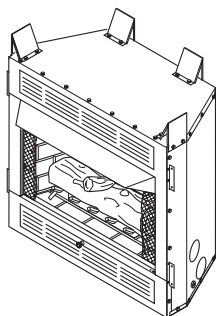


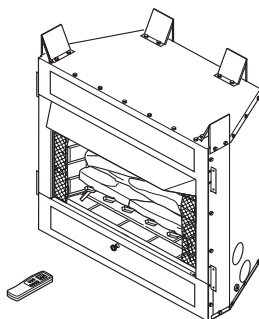


## UNVENTED (VENT-FREE) FIREPLACE OWNER'S OPERATION AND INSTALLATION MANUAL



We recommend that our products be installed and serviced by professionals who are certified in the U.S. by NFI (National Fireplace Institute).

[www.nficertified.org](http://www.nficertified.org)



### MANUALLY CONTROLLED MODELS

**NATURAL GAS**  
(V)L32(HN, LHN)  
(V)L36(EN, LEN)

**PROPANE/LP GAS**  
(V)L32(HP, LHP)  
(V)L36(EP, LEP)

### REMOTE CONTROL READY MODELS

**NATURAL GAS**  
(V)L36(ZNR, LZNR)  
(V)L42(ZNR, LZNR)

**PROPANE/LP GAS**  
(V)L36(ZPR, LZPR)  
(V)L42(ZPR, LZPR)

**WARNING:** If the information in this manual is not followed exactly, a fire or explosion may result causing property damage, personal injury or loss of life.

- Do not store or use gasoline or other flammable vapors and liquids in the vicinity of this or any other appliance.
- **WHAT TO DO IF YOU SMELL GAS**
  - Do not try to light any appliance.
  - Do not touch any electrical switch; do not use any phone in your building.
  - Immediately call your gas supplier from a neighbor's phone. Follow the gas supplier's instructions.
  - If you cannot reach your gas supplier, call the fire department.
- Installation and service must be performed by a qualified installer, service agency or the gas supplier.

Save this manual for future reference.

For more information, visit [www.desatech.com](http://www.desatech.com)

Download from [www.Somanuals.com](http://www.Somanuals.com). All Manuals Search And Download.

**WARNING: Improper installation, adjustment, alteration, service or maintenance can cause injury or property damage. Refer to this manual for correct installation and operational procedures. For assistance or additional information consult a qualified installer, service agency or the gas supplier.**

**WARNING: FOR USE ONLY WITH A LISTED DECORATIVE TYPE UNVENTED ROOM HEATER. DO NOT BUILD A WOOD FIRE.**

**This appliance may be installed in an aftermarket,\* permanently located, manufactured (mobile) home, where not prohibited by local codes.**

**This appliance is only for use with the type of gas indicated on the rating plate. This appliance is not convertible for use with other gases.**

**\* Aftermarket: Completion of sale, not for purpose of resale, from the manufacturer**

**State of Massachusetts:** The installation must be made by a licensed plumber or gas fitter in the Commonwealth of Massachusetts.

Sellers of unvented propane or natural gas-fired supplemental room heaters shall provide to each purchaser a copy of 527 CMR 30 upon sale of the unit.

Vent-free gas products are prohibited for bedroom and bathroom installation in the Commonwealth of Massachusetts.

## TABLE OF CONTENTS

Safety Information .....	3	Troubleshooting .....	29
Local Codes .....	4	Specifications .....	33
Product Features .....	4	Wiring Diagram .....	33
Locating Firebox .....	5	Service Hints .....	34
Product Specifications .....	5	Technical Service .....	34
Air For Combustion and Ventilation .....	7	Replacement Parts .....	34
Installation .....	9	Accessories .....	35
Operating Fireplace .....	21	Illustrated Parts Breakdown and Pars List .....	36
Inspecting Burners .....	27	Warranty Information .....	Back Page
Cleaning and Maintenance .....	28		

## SAFETY INFORMATION

**⚠ WARNING:** This product contains and/or generates chemicals known to the state of California to cause cancer or birth defects or other reproductive harm.

**IMPORTANT:** Read this owner's manual carefully and completely before trying to assemble, operate or service this heater. Improper use of this heater can cause serious injury or death from burns, fire, explosion, electrical shock and carbon monoxide poisoning.

**⚠ DANGER:** Carbon monoxide poisoning may lead to death!

**Carbon Monoxide Poisoning:** Early signs of carbon monoxide poisoning resemble the flu, with headaches, dizziness or nausea. If you have these signs, the heater may not be working properly. **Get fresh air at once!** Have heater serviced. Some people are more affected by carbon monoxide than others. These include pregnant women, people with heart or lung disease or anemia, those under the influence of alcohol and those at high altitudes.

**Natural and Propane/LP Gas:** Natural and propane/LP gases are odorless. An odor-making agent is added to the gas. The odor helps you detect a gas leak. However, the odor added to the gas can fade. Gas may be present even though no odor exists. Make certain you read and understand all warnings. Keep this manual for reference. It is your guide to safe and proper operation of this heater.

**⚠ WARNING:** Any change to this heater or its controls can be dangerous.

**⚠ WARNING:** Do not use a blower insert, heat exchanger insert or other accessory not approved for use with this heater.

**⚠ WARNING:** Do not allow fans to blow directly into the fireplace. Avoid any drafts that alter burner flame patterns. Ceiling fans can create drafts that alter burner flame patterns. Altered burner patterns can cause sooting.

Due to high temperatures, the appliance should be located out of traffic and away from furniture and draperies.

Do not place clothing or other flammable material on or near the appliance. Never place any objects on the heater.

Fireplace front and screen become very hot when running fireplace. Keep children and adults away from hot surfaces to avoid burns or clothing ignition. Fireplace will remain hot for a time after shutdown. Allow surfaces to cool before touching.

Carefully supervise young children when they are in the room with fireplace. When using the optional hand-held remote accessory, keep selector switch in the OFF position to prevent children from turning on burners with remote.

You must operate this fireplace with the fireplace screen and hood in place. Make sure fireplace screen and hood are in place before running heater.

Keep the appliance area clear and free from combustible materials, gasoline and other flammable vapors and liquids.

## SAFETY INFORMATION

### Continued

1. This appliance is only for use with the type of gas indicated on the rating plate. This appliance is not convertible for use with other gases.
2. Do not place propane/LP supply tank(s) inside any structure. Locate propane/LP supply tank(s) outdoors (propane/LP units only).
3. If you smell gas
  - shut off gas supply
  - do not try to light any appliance
  - do not touch any electrical switch; do not use any phone in your building
  - immediately call your gas supplier from a neighbor's phone. Follow the gas supplier's instructions
  - if you cannot reach your gas supplier, call the fire department
4. This fireplace shall not be installed in a bedroom or bathroom.
5. Do not use this fireplace as a wood-burning fireplace. Use only the logs provided with the fireplace.
6. Do not add extra logs or ornaments such as pine cones, vermiculite or rock wool. Using these added items can cause sooting. Do not add lava rock around base. Rock and debris could fall into the control area of fireplace.
7. To prevent the creation of soot, follow the instructions in *Cleaning and Maintenance*, page 28.
8. Before using furniture polish, wax, carpet cleaner or similar products, turn heater off. If heated, the vapors from these products may create a white powder residue within burner box or on adjacent walls or furniture.
9. This fireplace needs fresh air ventilation to run properly. This fireplace has an Oxygen Depletion Sensing (ODS) safety shutoff system. The ODS shuts down the fireplace if enough fresh air is not available. See *Air for Combustion and Ventilation*, page 7. If fireplace keeps shutting off, see *Troubleshooting*, page 29.
10. Do not run fireplace
  - where flammable liquids or vapors are used or stored
  - under dusty conditions
11. Do not use this fireplace to cook food or burn paper or other objects.
12. Do not use fireplace if any part has been exposed to or under water. Immediately call a qualified service technician to inspect the fireplace and to replace any part of the control system and any gas control which has been under water.
13. Do not operate fireplace if any log is broken. Do not operate fireplace if a log is chipped (dime-sized or larger).
14. Turn fireplace off and let cool before servicing. Only a qualified service person should service and repair fireplace.
15. Operating fireplace above elevations of 4,500 feet could cause pilot outage.
16. To prevent performance problems in propane/LP units, do not use propane/LP fuel tanks of less than 100 lbs. capacity (propane/LP units only).
17. Provide adequate clearances around air openings.

## LOCAL CODES

Install and use fireplace with care. Follow all local codes. In the absence of local codes, use the latest edition of *The National Fuel Gas Code ANSI Z223.1/NFPA 54\**.

\*Available from:

American National Standards Institute, Inc.  
1430 Broadway  
New York, NY 10018  
National Fire Protection Association, Inc.  
Batterymarch Park  
Quincy, MA 02269

**Note:** Where listed vented decorative logs are required, thermostat operation is not permitted.

## PRODUCT FEATURES

### OPERATION

This firebox is designed for use with approved ANSI Z21.11.2 decorative type unvented room heaters. (Physical size limitations apply. Refer to minimum firebox requirements supplied with log heater.) It requires no outside venting or chimney making installation easy and inexpensive. When used without the blower, the firebox requires no electricity making it ideal for emergency backup heat.

### BLOWER ACCESSORY

The circulating models will accept a rotary type fan (model BK) accessory. The blower circulates heated air from the firebox into the room. Use of blower is optional.

### REFRACTORY BRICK LINER

Your firebox may feature a concrete refractory brick liner. As with all concrete liners, this liner may develop slight cracks when exposed to heat. These cracks will not affect the performance of the fireplace or vent-free gas logs.

# LOCATING FIREBOX

## PLANNING

Plan where you will install the firebox. This will save time and money later when you install the firebox. Before installation, consider the following:

1. Where the firebox will be located. Allow for wall and ceiling clearances (see *Installation Clearances*, page 9).

2. Everything needed to complete installation.
3. These models CANNOT be installed in a bedroom unless the maximum Btu rating of the installed vent-free log set is less than 10,000 Btu/hr.
4. Proper air for combustion and ventilation (page 7).

# PRODUCT SPECIFICATIONS

## 32" MODELS

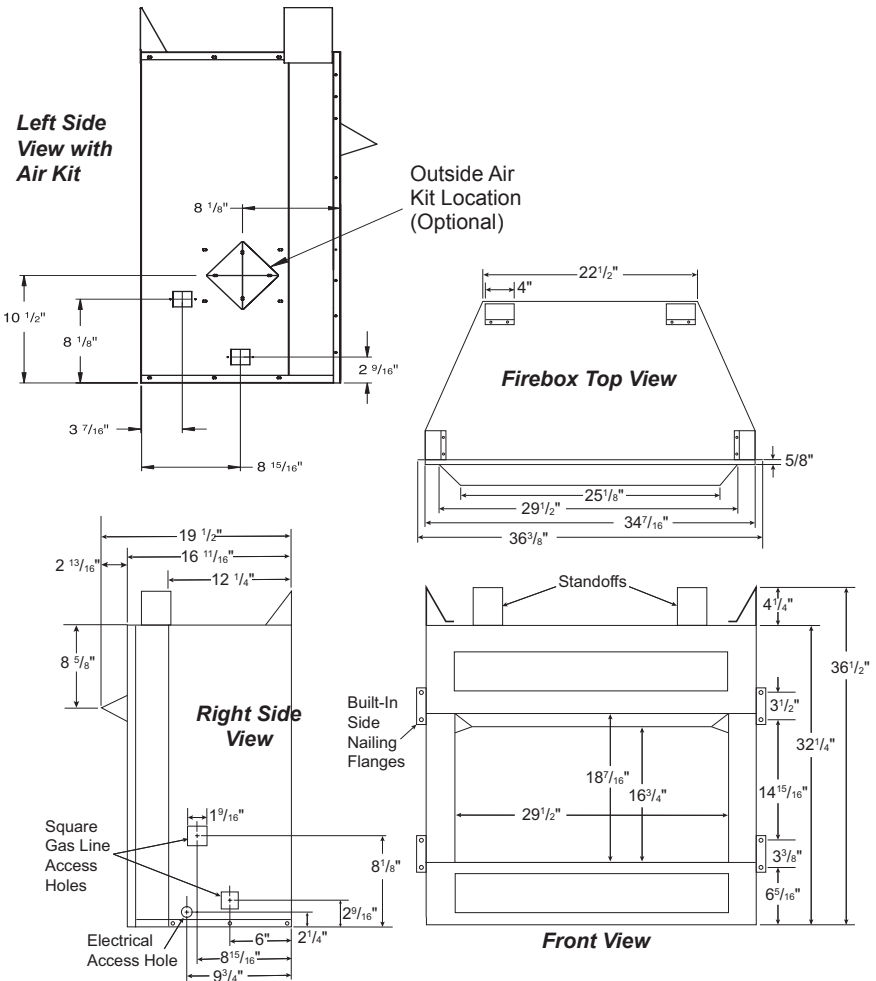


Figure 1 - Firebox Dimensions (32" Models)

# PRODUCT SPECIFICATIONS

Continued

## 36" AND 42" MODELS

Note: If only one dimension is shown, the dimension is the same for both 36" and 42" models.

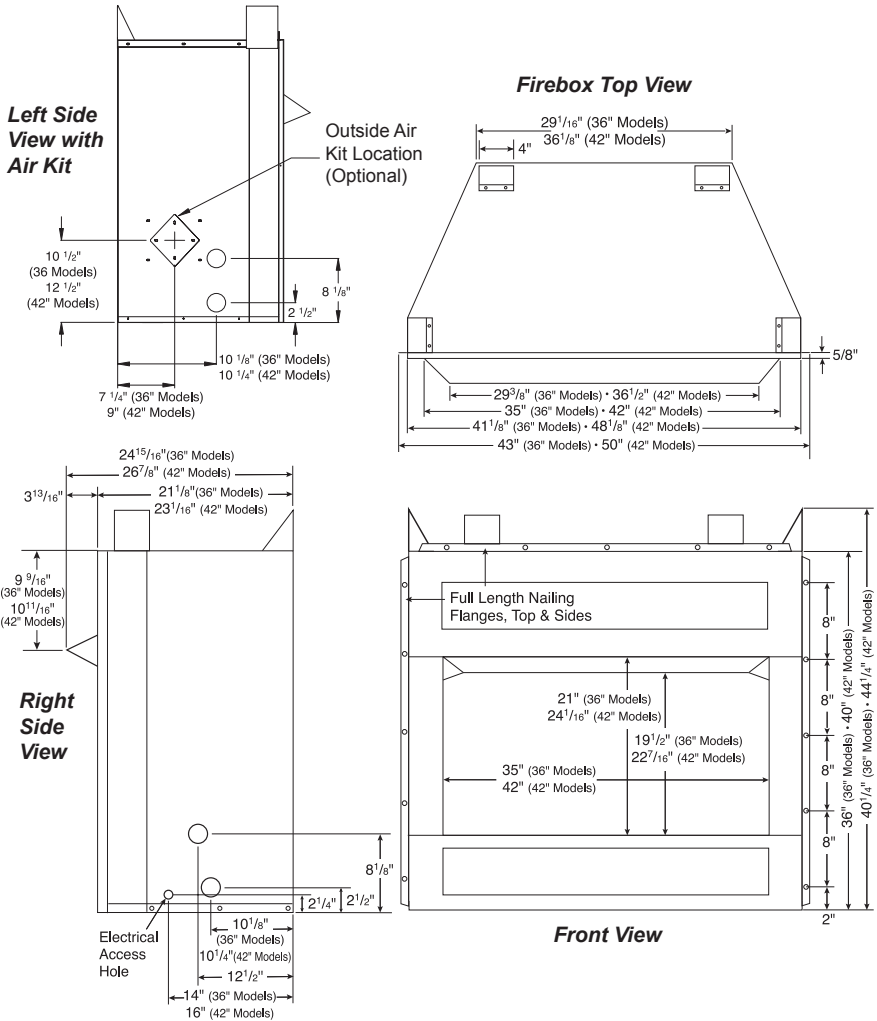


Figure 2 - Firebox Dimensions (36" and 42" Models)

## AIR FOR COMBUSTION AND VENTILATION

**⚠ WARNING:** This firebox shall not be installed in a confined space or unusually tight construction unless provisions are provided for adequate combustion and ventilation air. Read the following instructions to insure proper fresh air for this and other fuel-burning appliances in your home.

Today's homes are built more energy efficient than ever. New materials, increased insulation and new construction methods help reduce heat loss in homes. Home owners weather strip and caulk around windows and doors to keep the cold air out and the warm air in. During heating months, home owners want their homes as airtight as possible.

While it is good to make your home energy efficient, your home needs to breathe. Fresh air must enter your home. All fuel-burning appliances need fresh air for proper combustion and ventilation.

Exhaust fans, fireboxes, clothes dryers and fuel burning appliances draw air from the house to operate. You must provide adequate fresh air for these appliances. This will insure proper venting of vented fuel-burning appliances.

### PROVIDING ADEQUATE VENTILATION

The following are excerpts from *National Fuel Gas Code, ANSI Z223.1/NFPA 54, Section 5.3, Air for Combustion and Ventilation*.

All spaces in homes fall into one of the three following ventilation classifications:

1. Unusually Tight Construction
2. Unconfined Space
3. Confined Space

The information on page 7 through 9 will help you classify your space and provide adequate ventilation.

#### Unusually Tight Construction

The air that leaks around doors and windows may provide enough fresh air for combustion and ventilation. However, in buildings of unusually tight construction, you must provide additional fresh air.

Unusually tight construction is defined as construction where:

- a. walls and ceilings exposed to the outside atmosphere have a continuous water vapor retarder with a rating of one perm ( $6 \times 10^{-11}$  kg per pa-sec- $m^2$ ) or less with openings gasketed or sealed and
- b. weather stripping has been added on openable windows and doors and
- c. caulking or sealants are applied to areas such as joints around window and door frames, between sole plates and floors, between wall-ceiling joints, between wall panels, at penetrations for plumbing, electrical and gas lines and at other openings.

If your home meets all of the three criteria above, you must provide additional fresh air. See *Ventilation Air From Outdoors*, page 9.

If your home does not meet all of the three criteria above, proceed to *Determining Fresh-Air Flow for Firebox Location*.

#### Confined and Unconfined Space

The *National Fuel Gas Code, ANSI Z223.1/NFPA 54* defines a confined space as a space whose volume is less than 50 cubic feet per 1,000 Btu per hour ( $4.8 \text{ m}^3$  per kw) of the aggregate input rating of all appliances installed in that space and an unconfined space as a space whose volume is not less than 50 cubic feet per 1,000 Btu per hour ( $4.8 \text{ m}^3$  per kw) of the aggregate input rating of all appliances installed in that space. Rooms communicating directly with the space in which the appliances are installed\*, through openings not furnished with doors, are considered a part of the unconfined space.

\* Adjoining rooms are communicating only if there are doorless passageways or ventilation grills between them.

### DETERMINING FRESH-AIR FLOW FOR HEATER LOCATION

#### Determining if You Have a Confined or Unconfined Space

Use this work sheet to determine if you have a confined or unconfined space.

**Space:** Includes the room in which you will install heater plus any adjoining rooms with doorless passageways or ventilation grills between the rooms.

# AIR FOR COMBUSTION AND VENTILATION

## Continued

- Determine the volume of the space (length x width x height).

Length x Width x Height = \_\_\_\_\_ cu. ft.  
(volume of space)

**Example:** Space size 22 ft. (length) x 18 ft. (width) x 8 ft. (ceiling height) = 3168 cu. ft. (volume of space)

If additional ventilation to adjoining room is supplied with grills or openings, add the volume of these rooms to the total volume of the space.

- Multiply the space volume by 20 to determine the maximum Btu/Hr the space can support.

\_\_\_\_\_ (volume of space) x 20 = (Maximum Btu/Hr the space can support)

**Example:** 3168 cu. ft. (volume of space) x 20 = 63,360 (maximum Btu/Hr the space can support)

- Add the Btu/Hr of all fuel burning appliances in the space.

Vent-free heater	_____ Btu/Hr
Gas water heater*	_____ Btu/Hr
Gas furnace	_____ Btu/Hr
Vented gas heater	_____ Btu/Hr
Gas fireplace logs	_____ Btu/Hr
Other gas appliances* +	_____ Btu/Hr
<b>Total</b>	<b>= _____ Btu/Hr</b>

\* Do not include direct-vent gas appliances. Direct-vent draws combustion air from the outdoors and vents to the outdoors.

**Example:**

Gas water heater	_____	40,000	Btu/Hr
Vent-free heater	+	39,000	Btu/Hr
<b>Total</b>	=	79,000	Btu/Hr

- Compare the maximum Btu/Hr the space can support with the actual amount of Btu/Hr used.

\_\_\_\_\_ Btu/Hr (maximum the space can support)  
\_\_\_\_\_ Btu/Hr (actual amount of Btu/Hr used)

**Example:** 63,360 Btu/Hr (maximum the space can support)

79,000 Btu/Hr (actual amount of Btu/Hr used)

The space in the above example is a confined space because the actual Btu/Hr used is more than the maximum Btu/Hr the space can support. You must provide additional fresh air. Your options are as follows:

- Rework worksheet, adding the space of an adjoining room. If the extra space provides an unconfined space, remove door to adjoining room or add ventilation grills between rooms. See *Ventilation Air From Inside Building*.
- Vent room directly to the outdoors. See *Ventilation Air From Outdoors*, page 9.
- Install a lower Btu/Hr heater, if lower Btu/Hr size makes room unconfined.

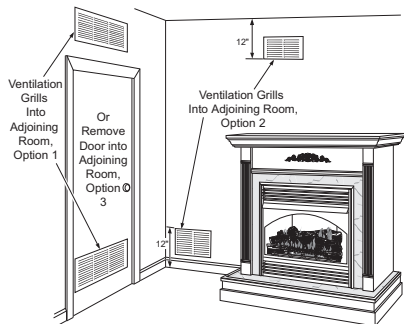
If the actual Btu/Hr used is less than the maximum Btu/Hr the space can support, the space is an unconfined space. You will need no additional fresh air ventilation.

**⚠ WARNING:** If the area in which the heater may be operated is smaller than that defined as an unconfined space or if the building is of unusually tight construction, provide adequate combustion and ventilation air by one of the methods described in the *National Fuel Gas Code, ANSI Z223.1/NFPA 54 Section 5.3* or applicable local codes.

## VENTILATION AIR

### Ventilation Air From Inside Building

This fresh air would come from an adjoining unconfined space. When ventilating to an adjoining unconfined space, you must provide two permanent openings: one within 12" of the ceiling and one within 12" of the floor on the wall connecting the two spaces (see options 1 and 2, Figure 4). You can also remove door into adjoining room (see option 3, Figure 3). Follow the *National Fuel Gas Code, ANSI Z223.1/NFPA 54, Section 5.3, Air for Combustion and Ventilation* for required size of ventilation grills or ducts.



**Figure 3 - Ventilation Air from Inside Building**



# AIR FOR COMBUSTION AND VENTILATION

*Continued*

## Ventilation Air From Outdoors

Provide extra fresh air by using ventilation grills or ducts. You must provide two permanent openings: one within 12" of the ceiling and one within 12" of the floor. Connect these items directly to the outdoors or spaces open to the outdoors. These spaces include attics and crawl spaces. Follow the *National Fuel Gas Code, ANSI Z223.1/NFPA 54, Section 5.3, Air for Combustion and Ventilation* for required size of ventilation grills or ducts.

**IMPORTANT:** Do not provide openings for inlet or outlet air into attic if attic has a thermostat-controlled power vent. Heated air entering the attic will activate the power vent.

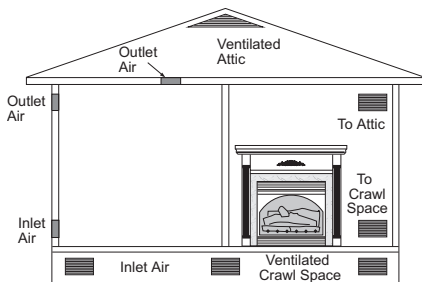


Figure 4 - Ventilation Air from Outdoors

## INSTALLATION

**WARNING:** A qualified service person must install firebox. Follow all local codes.

**WARNING:** Never install the firebox

- in a bedroom or bathroom\*
- in a recreational vehicle
- where curtains, furniture, clothing or other flammable objects are less than 42 inches from the front, top or sides of the firebox

- in high traffic areas
- in windy or drafty areas
- \* Unless the installed log set is rated at 10,000 Btu/Hr or less.

**CAUTION:** Log heaters installed in this firebox create warm air currents. These currents move heat to wall surfaces next to firebox. Installing firebox next to vinyl or cloth wall coverings or operating firebox where impurities (such as, but not limited to, tobacco smoke, aromatic candles, cleaning fluids, oil or kerosene lamps, etc.) in the air exist, may discolor walls or cause odors.

**IMPORTANT:** Vent-free gas log heaters add moisture to the air. Although this is beneficial, installing firebox in rooms without enough ventilation air may cause mildew to form from too much moisture. See *Air for Combustion and Ventilation*, page 7.

**IMPORTANT:** Make sure the firebox is level. If firebox is not level, log set will not work properly.

**Note:** Your firebox is designed to be used in zero clearance installations. Wall or framing material can be placed against any exterior surface on the rear, sides, top or bottom of your firebox, except where standoff spacers are integrally attached. If standoff spacers are attached to your firebox, these spacers can be placed directly against wall or framing materials. Use the dimensions shown for rough opening to create the easiest installation.

Use dimensions shown for rough openings to create the easiest installation (see *Built-In Firebox Installation*, page 11).

## INSTALLATION CLEARANCES

**WARNING:** Maintain the minimum clearances. If you can, provide greater clearances from floor, ceiling and adjoining wall.

Carefully follow these instructions. This will ensure safe installation.

### Minimum Wall and Ceiling Clearances (see Figure 5, page 10)

A. Clearances from the side of the fireplace cabinet to any combustible material and wall should follow diagram in Figure 5, page 10.

**Example:** The face of a mantel, bookshelf, etc. is made of combustible material and protrudes 3 1/2" from the wall. This combustible material must be 4" from the side of the fireplace cabinet (see Figure 5, page 10).

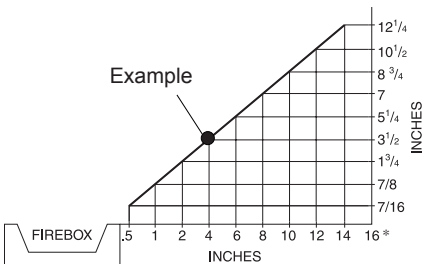
## INSTALLATION

### Continued

- B. Clearances from the top of the firebox opening to the ceiling should not be less than 42 inches.
- C. When the firebox is installed on carpeting or other combustible material, other than wood flooring, the firebox should be installed on a metal or wood panel extending the full width and depth of the enclosure.
- D. Clearances from the bottom of firebox to the floor is 0 inches.

These fireboxes can be installed as freestanding units against a wall with the approved, optional cabinet mantels (see *Accessories*, page 35) or as a built-in unit. The clearances are the same for either installation method.

**CAUTION:** Do not install the firebox directly on carpet or vinyl.



\*Minimum 16 inches from Side Wall

**Figure 5 - Minimum Clearance for Combustible to Wall**

### Mantel Clearances for Built-In Installation

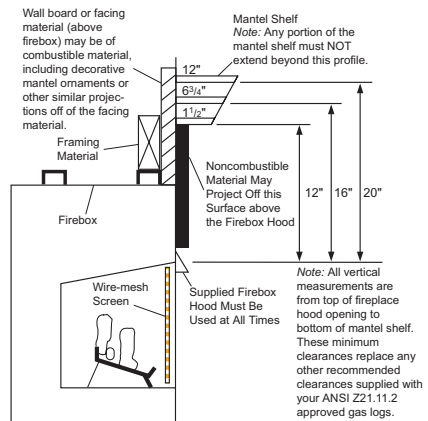
If placing custom mantel above built-in firebox, you must meet the minimum allowable clearance between mantel shelf and top of firebox opening shown in Figure 6. These are the minimum allowable mantel clearances for a safe installation. Use larger clearances wherever possible to minimize the heating of objects and materials placed on the mantel.

**CAUTION:** Do not allow the vent-free gas log heater to touch or extend beyond the fireplace screen.

**NOTICE:** Surface temperatures of adjacent walls and mantels become hot during operation. Walls and mantels above the firebox may become hot to the touch. If installed properly, these temperatures meet the requirement of the national product standard. Follow all minimum clearances shown in this manual.

**NOTICE:** If your installation does not meet the minimum clearances shown, you must do one of the following:

- raise the mantel to an acceptable height
- remove the mantel



**Figure 6 - Minimum Mantel Clearances for Built-In Installation**

### BUILT-IN FIREBOX INSTALLATION

Built-in installation of this firebox involves installing firebox into a framed-in enclosure. This makes the front of firebox flush with wall. Optional brass trim accessories are available (see *Accessories*, page 35). The brass trim will extend past sides of firebox approximately 1/2 inch. This will cover the rough edges of the wall opening. If installing a mantel above the firebox, you must follow the clearances shown in Figure 6. Follow these instructions to install the firebox in this manner.

# INSTALLATION

## Continued

1. Frame in rough opening. The firebox framing should be constructed of 2 x 4 lumber or heavier. Use dimensions in Table 1 and rough opening layout in Figure 7a. Adjust framing so that firebox flushes with finished wall surface. If installing in a corner, use dimensions in Figures 7b, 7c and 7d for rough opening.
2. Install gas piping to firebox location (see *Connecting to Gas Supply*, page 16.) **IMPORTANT:** If installing blower accessory (circulating models with louvers only), see *Hard-Wiring Firebox*, page 15.
3. Carefully set firebox in front of rough opening with back of firebox inside wall opening. **IMPORTANT:** If installing a perimeter trim kit, see instructions included with trim accessory. You must install shoulder screws from trim kit now.
4. Carefully insert firebox into rough opening.
5. Attach firebox to wall studs using nails or wood screws through holes in nailing flange (see Figure 8).
6. If using an optional perimeter trim kit, install the trim after final finishing and/or painting of wall. See instructions included with trim accessory for attaching trim.
7. Install and properly test gas log heater. Follow installation instructions included with the vent-free gas log heater that is being installed.

**IMPORTANT:** When finishing your firebox, combustible materials such as wall board, gypsum board, sheet rock, drywall, plywood, etc. may be butted up next to the sides and top of the firebox. Combustible materials should never overlap the firebox front facing.

**WARNING:** Do not allow any combustible materials to overlap the firebox front facing.

**IMPORTANT:** Noncombustible materials such as brick, tile, etc. may overlap the front facing, but should never cover any necessary openings like louvered slots.

**Table 1**

Rough Opening Dimensions for Built-in Installation			
Model	Front Width (Inside to Inside)	Height	Depth (Min.)
32"	34 <sup>7</sup> / <sub>8</sub> "	36 <sup>3</sup> / <sub>4</sub> "	16 <sup>1</sup> / <sub>4</sub> "
36"	41 <sup>1</sup> / <sub>2</sub> "	40 <sup>1</sup> / <sub>2</sub> "	20 <sup>3</sup> / <sub>4</sub> "
42"	48 <sup>5</sup> / <sub>8</sub> "	44 <sup>1</sup> / <sub>2</sub> "	22 <sup>5</sup> / <sub>8</sub> "

**WARNING:** Do not allow noncombustible materials to cover any necessary openings like louvered slots.

**WARNING:** Use only noncombustible mortar or adhesives when overlapping the front facing with noncombustible facing material.

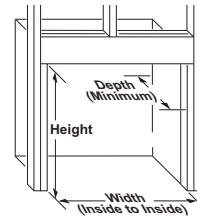


Figure 7a

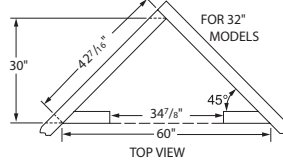


Figure 7b

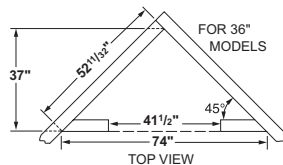


Figure 7c

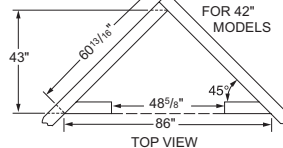
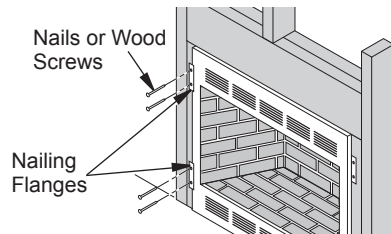


Figure 7d

**Figure 7 - Rough Opening for Installing in Wall**



**Figure 8 - Attaching Firebox to Wall Studs**

# INSTALLATION

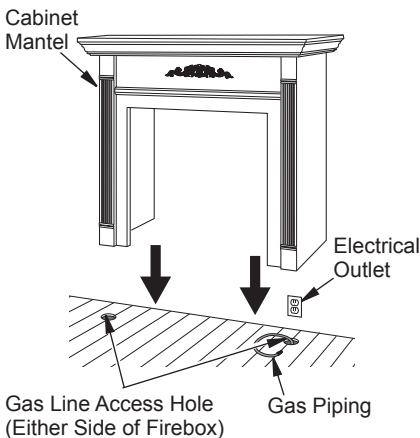
*Continued*

## INSTALLING FIREBOX USING OPTIONAL ACCESSORY MANTELS

**⚠ WARNING: A qualified service person must install firebox. Follow all local codes.**

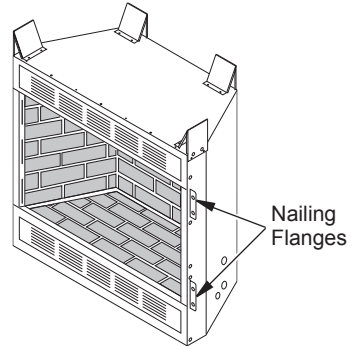
This firebox may be installed using a cabinet mantel accessory against a wall in your home. The firebox and cabinet mantel can be installed directly on the floor. A trim kit is included with the mantel accessories.

1. Assemble cabinet mantel accessory and the trim kit. Assembly instructions are included with each accessory.
2. If using an optional blower accessory (circulating models only), install a properly grounded, 120 volt three-prong electrical outlet at firebox location if an outlet is not there. If possible, locate outlet so cabinet mantel will cover it when installed (see Figure 9).
3. Install gas piping to firebox location. See *Connecting to Gas Supply*, page 15. You may have to cut an access hole in the floor or wall to run gas line to firebox. Make sure to locate access hole so cabinet mantel will cover it when installed (see Figure 9).
4. Place cabinet mantel on floor in desired location. Make sure mantel is flush against wall.
5. Break off nailing flanges with hammer or pliers (32" models only, see Figure 10).

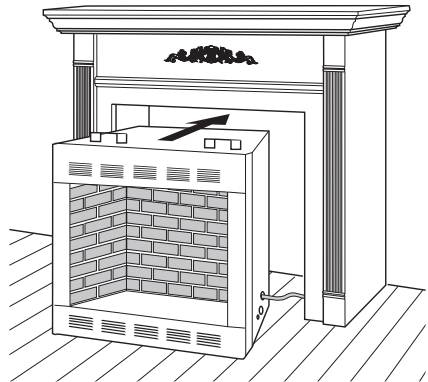


**Figure 9 - Installing Cabinet Mantel**

6. Install the trim kit furnished with mantel. See instruction sheet included with the mantel now.
7. If installing an optional blower accessory (circulating models only), see *Installing Optional Blower Accessories*, page 13.
8. Carefully insert firebox into cabinet mantel. Be careful not to scratch firebox, cabinet mantel, flooring, etc. when installing (see Figure 11).
9. Install and properly test gas log heater. Follow installation instructions included with the vent-free gas log heater that is being installed.



**Figure 10 - Location of Nailing Flanges (Two on Each Side), 32" Model Shown (Model May Vary From Illustration)**



**Figure 11 - Inserting Firebox Into Cabinet Mantel (Model May Vary From Illustration)**

# INSTALLATION

*Continued*

## INSTALLING OPTIONAL BLOWER ACCESSORIES

**NOTICE:** The firebox identification label (including model number, serial number, clearances, etc.) is located in the right side screen pocket area on the front of the firebox. See Figure 25, page 15.

**NOTICE:** If a log set is installed in the firebox, disconnect log set from gas supply and remove from firebox. Contact a qualified service person to do this.

*Note:* Appearance of firebox may vary depending on model.

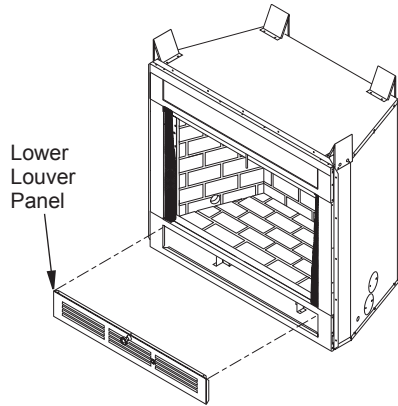
The blower accessory option for use in the vent-free fireboxes is model BK. Model BK is a rotary squirrel cage type blower with magnetic attachment and variable speed control.

The blower is installed by removing the lower face panel. To remove the lower face panel, pull the left and right latches toward the center of the appliance until they are disengaged from their locator holes (see Figure 12).

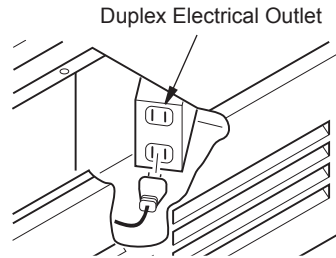
Models with louvered front panels can also be removed by inserting fingertips between slots and gently pulling out. DO NOT FORCE. The panels are actually held in place by means of a retention dimple embossed on the edge of removable panels.

**WARNING:** If there is a duplex electrical outlet installed in the right side of the bottom of the fireplace base area (see Figure 13), be sure that the electrical power to the outlet is turned off before proceeding with blower installation. Failure to do this may result in serious injury.

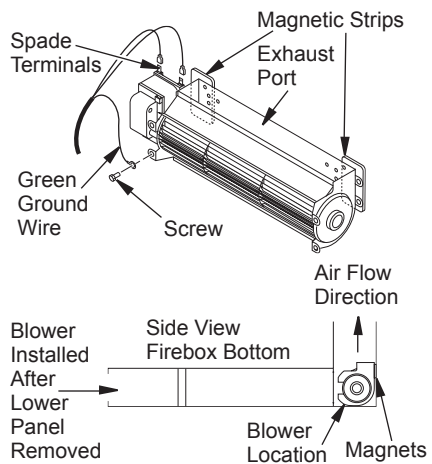
1. Attach the power cord to the blower motor by firmly pushing the two female terminals at the end of the power cord onto the two spade terminals on the blower motor (see Figure 14).



**Figure 12 - Accessing Blower Compartment (Controls Not Shown for Clarity)**



**Figure 13 - Accessing Duplex Electrical Outlet Installed in Bottom Right Side of Firebox**

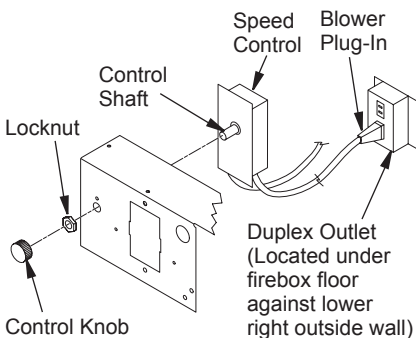


**Figure 14 - Blower Model BK**

## INSTALLATION

### Continued

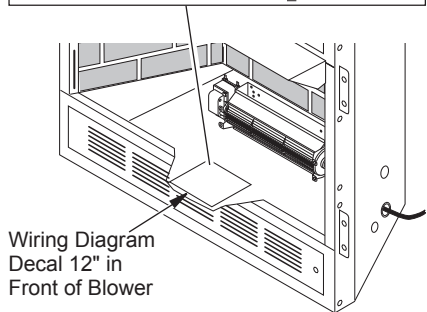
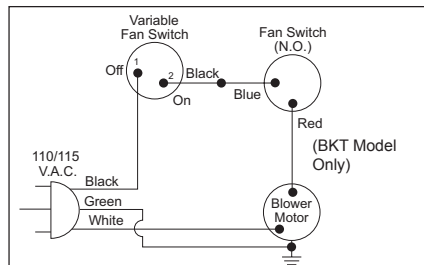
- Attach green ground wire from power cord to blower housing using screw provided (see Figure 14, page 13). Tighten screws securely with a phillips screwdriver.
- Place the blower against the lower rear wall of the firebox outer wrapper with the exhaust port directed upward. Depending on your model, you may have to carefully route the blower assembly past the controls and brackets and position the blower inside the back opening. The blower will be held in position against the back wall by the magnets incorporated onto the blower housing (see Figure 14, page 13).
- Be certain that all wire terminals are securely attached to terminals on blower motor and that the screw retaining the green ground wire is tight.
- Mount speed control box by placing plastic control shaft through bottom hole on speed control bracket. Top screw head on control box will fit inside top hole on bracket (see Figure 15). Secure speed control to bracket with lock nut by pushing and turning lock nut with pliers clockwise until it is tight against bracket.
- Place control knob, provided, onto control shaft (see Figure 15).
- Check to make sure power cord is completely clear of blower wheel and there are no foreign objects in blower wheel. Also, double check all wire leads and make sure wire routing is not pinched or in a precarious position. Correct accordingly.



**Figure 15 - Attaching Speed Control to Firebox with Panel Louvers**

**CAUTION: Never touch the blower wheel while in operation.**

- Turn on power to duplex outlet if previously turned off per warning on page 13.
- Plug in blower power cord to duplex outlet (see Figure 15, page 13).
- Turn blower on and check for operation. Turn blower off by turning knob fully counterclockwise before continuing.
- Peel off backing paper and stick supplied wiring diagram decal on firebox bottom approximately 12" in from of blower (see Figure 16).
- Replace all panels and/or brick bottom panel if previously removed.



**Figure 16 - Location of Wiring Diagram Decal (Model May Vary From Illustration)**

# INSTALLATION

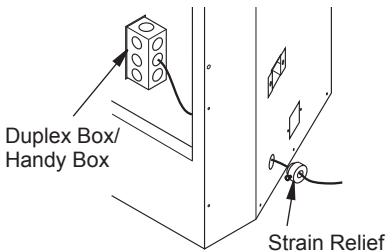
*Continued*

## HARD-WIRING FIREBOX

**NOTICE: A qualified electrician must connect electrical wiring to duplex outlet for built-in installation. Follow all local codes. In absence of local codes follow *The National Electric Code ANSI/NFPA 70.***

The "Handy Box" with duplex outlet is provided in the firebox located in the lower right base area.

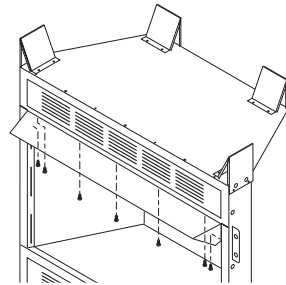
1. Remove screw holding duplex outlet cover to handy box. Remove duplex outlet.
2. Route electrical cable through strain relief and handy box (see Figure 17).
3. Connect electrical cable to duplex outlet. Match wire colors to those on duplex outlet. Be sure to connect the ground wire.
4. Place duplex outlet back into handy box and secure with screws. Replace outlet cover.



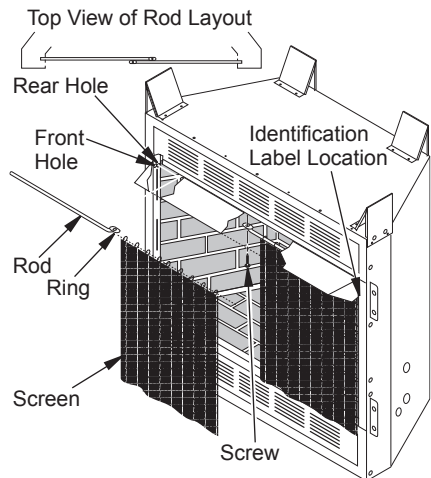
**Figure 17 - Hard-Wiring Firebox**

## INSTALLING FIREPLACE HOOD AND SCREEN

1. Attach hood to firebox using screws provided (see Figure 18).
2. Insert each rod through all rings located at top of screen.
3. Insert first rod into rear hole in left side of firebox. Fasten rod to rear hole near center of firebox using #10 x 3/8" Phillips screw provided (see Figure 19).
4. Insert other rod into front hole on right side of firebox and fasten using remaining Phillips screw.



**Figure 18 - Screw and Hood Placement (Model May Vary From Illustration)**



**Figure 19 - Installing Fireplace Screen (Model May Vary From Illustration)**

# INSTALLATION

*Continued*

## CONNECTING TO GAS SUPPLY

**⚠ WARNING:** This appliance requires a 1/2" NPT (National Pipe Thread) inlet connection to the pressure regulator.

**⚠ WARNING:** A qualified service person must connect heater to gas supply. Follow all local codes.

**⚠ CAUTION:** Never connect propane/LP fireplace directly to the propane/LP supply. This heater requires an external regulator (not supplied). Install the external regulator between the heater and propane/LP supply.

**⚠ WARNING:** Never connect natural gas fireplace to private (non-utility) gas wells. This gas is commonly known as wellhead gas.

### Installation Items Needed

Before installing heater, make sure you have the items listed below.

- external regulator (supplied by installer)
- piping (check local codes)
- sealant (resistant to propane/LP gas)
- equipment shutoff valve \*
- test gauge connection \*
- sediment trap
- tee joint
- pipe wrench
- approved flexible gas line with gas connector (if allowed by local codes) (not provided)

\* A CSA design-certified equipment shutoff valve with 1/8" NPT tap is an acceptable alternative to test gauge connection. Purchase the optional CSA design-certified equipment shutoff valve from your dealer. See *Accessories*, page 35.

For propane/LP units, the installer must supply an external regulator. The external regulator will reduce incoming gas pressure. You must reduce incoming gas pressure to between 11 and 14 inches of water. If you do not reduce incoming gas pressure, heater regulator damage could occur. Install external regulator with the vent pointing down as shown in Figure 20. Pointing the vent down protects it from freezing rain or sleet.

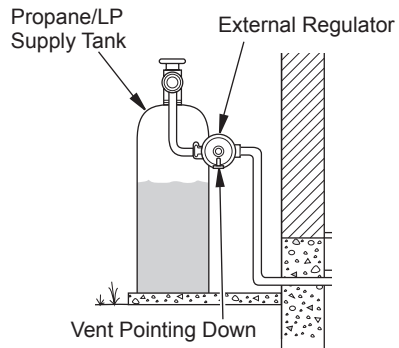
**⚠ CAUTION:** Use only new, black iron or steel pipe. Internally-tinned copper tubing may be used in certain areas. Check your local codes. Use pipe of 1/2" diameter or greater to allow proper gas volume to heater. If pipe is too small, undue loss of volume will occur.

Installation must include an equipment shutoff valve, union and plugged 1/8" NPT tap. Locate NPT tap within reach for test gauge hook up. NPT tap must be upstream from heater (see Figure 21 or 22, page 17, depending on your model).

**IMPORTANT:** Install equipment shutoff valve in an accessible location. The equipment shutoff valve is for turning on or shutting off the gas to the appliance.

Apply pipe joint sealant lightly to male NPT threads. This will prevent excess sealant from going into pipe. Excess sealant in pipe could result in clogged heater valves.

**⚠ WARNING:** Use pipe joint sealant that is resistant to liquid petroleum (LP) gas.



**Figure 20 - External Regulator with Vent Pointing Down**



# INSTALLATION

## Continued

We recommend that you install a sediment trap in supply line as shown in Figures 21 and 22, depending on your model. Locate sediment trap where it is within reach for cleaning. Install in piping system between fuel supply and heater. Locate sediment trap where trapped matter is not likely to freeze. A sediment trap traps moisture and contaminants. This keeps them from going into heater controls. If sediment trap is not installed or is installed wrong, heater may not run properly.

**CAUTION:** Avoid damage to regulator. Hold gas regulator with wrench when connecting it to gas piping and/or fittings (Variable Manually-Controlled Models Only).

**CAUTION:** Avoid damage to gas control. Hold gas control with wrench when connecting it to gas piping and/or fittings (Remote-Ready Models Only).

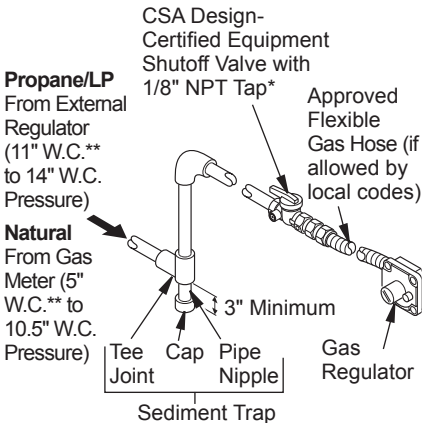


Figure 21 - Attaching Flexible Gas Line to Control Valve (Manually-Controlled Models)

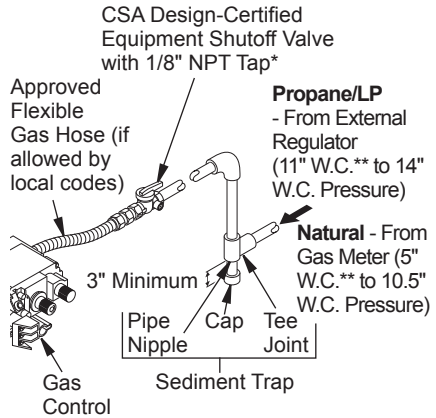


Figure 22 - Attaching Flexible Gas Line to Control Valve (Remote-Ready Models)

\* Purchase the optional CSA design-certified equipment shutoff valve from your dealer. See *Accessories*, page 35.

\*\*Minimum inlet pressure for purpose of input adjustment

## CHECKING GAS CONNECTIONS

**WARNING:** Test all gas piping and connections, internal and external to unit, for leaks after installing or servicing. Correct all leaks at once.

**WARNING:** Never use an open flame to check for a leak. Apply a noncorrosive leak detection fluid to all joints. Bubbles forming show a leak. Correct all leaks at once.

**CAUTION:** Make sure external regulator has been installed between propane/LP supply and heater. See guidelines under *Connecting to Gas Supply*, page 16.

# INSTALLATION

*Continued*

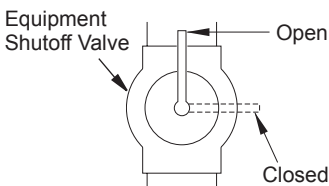
## PRESSURE TESTING GAS SUPPLY PIPING SYSTEM

### Test Pressures In Excess Of 1/2 PSIG (3.5 kPa)

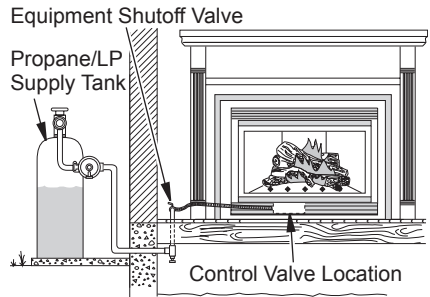
1. Disconnect appliance with its appliance main gas valve (control valve) and equipment shutoff valve from gas supply piping system. Pressures in excess of 1/2 psig will damage heater regulator.
2. Cap off open end of gas pipe where equipment shutoff valve was connected.
3. Pressurize supply piping system by either opening propane/LP supply tank valve for propane/LP gas or opening main gas valve located on or near gas meter for natural gas or using compressed air.
4. Check all joints of gas supply piping system. Apply noncorrosive leak detection fluid to all joints. Bubbles forming show a leak.
5. Correct all leaks at once.
6. Reconnect heater and equipment shutoff valve to gas supply. Check reconnected fittings for leaks.

### Test Pressures Equal To or Less Than 1/2 PSIG (3.5 kPa)

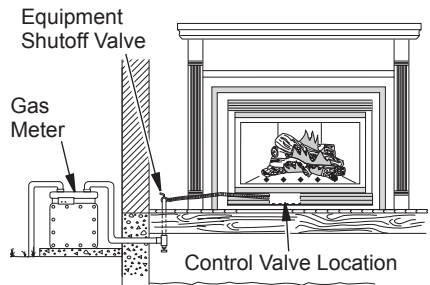
1. Close equipment shutoff valve (see Figure 23).
2. Pressurize supply piping system by either opening propane/LP supply tank valve for propane/LP gas or opening main gas valve located on or near gas meter for natural gas or using compressed air.
3. Check all joints from gas meter to equipment shutoff valve for natural gas or propane/LP supply to equipment shutoff valve for propane/LP (see Figure 24 and 25). Apply noncorrosive leak detection fluid to all joints. Bubbles forming show a leak.
4. Correct all leaks at once.



**Figure 23 - Equipment Shutoff Valve**



**Figure 24 - Checking Gas Joints (Propane/LP Gas Only)**



**Figure 25 - Checking Gas Joints (Natural Gas Only)**

## PRESSURE TESTING HEATER GAS CONNECTIONS

1. Open equipment shutoff valve (see Figure 23).
2. Open main gas valve located on or near gas meter for natural gas or open propane/LP supply tank valve.
3. Make sure control knob of heater is in the OFF position.
4. Check all joints from equipment shutoff valve to control valve (Manually-Controlled Models) or to gas control (Remote-Ready Models) (see Figures 24 and 25). Apply noncorrosive leak detection fluid to all joints. Bubbles forming show a leak.
5. Correct all leaks at once.
6. Light heater (see *Operating Fireplace*, page 21). Check all other internal joints for leaks.
7. Turn off heater (see *To Turn Off Gas to Appliance*, page 23 for Manually-Controlled Models or page 25 for Remote-Ready Models).

# INSTALLATION

*Continued*

## INSTALLING LOGS

(Models (V)L32HN, (V)L32LHN,  
(V)L32HP and (V)L32LHP)

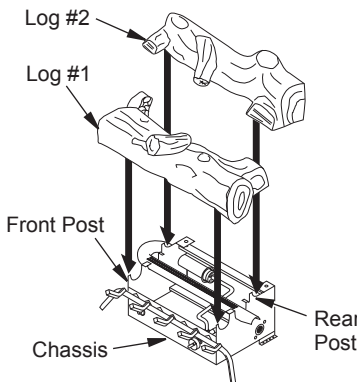
**⚠ WARNING:** Failure to position the parts in accordance with these diagrams or failure to use only parts specifically approved with this heater may result in property damage or personal injury.

**⚠ CAUTION:** After installation and periodically thereafter, check to ensure that no flame comes in contact with any log. With the heater set to HI, check to see if flames contact any log. If so, reposition logs according to the log installation instructions in this manual. Flames contacting logs will create soot.

### Vintage Oak Two-Piece Log Set

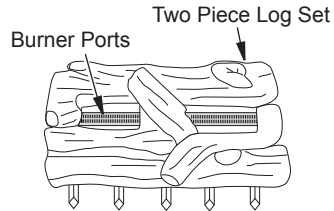
It is very important to install these logs exactly as instructed. Do not modify logs. Only use logs supplied with heater.

1. Place front log on top of the grate and over front posts on chassis (see Figure 26).



**Figure 26 - Installing Vintage Oak Two-Piece Log Set**

2. Place rear log on rear of chassis (see Figure 26). Slide log forward so that it sits against rear posts on chassis. **IMPORTANT:** Make sure logs do not cover any burner ports (see Figure 27).
3. Place lava rock around base of heater if desired.



**Figure 27 - Installing Vintage Oak Two-Piece Log Set (Top View)**

## INSTALLING LOGS

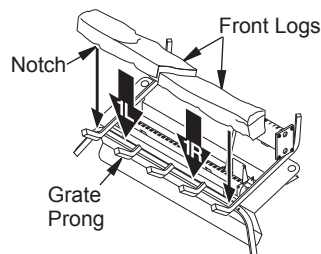
Models L36(EN, LEN, EP, LEP) and  
VL36(EN, LEN, EP, LEP)

**⚠ WARNING:** Failure to position the parts in accordance with these diagrams or failure to use only parts specifically approved with this heater may result in property damage or personal injury.

It is very important to install these logs exactly as instructed. Do not modify logs. Only use logs supplied with heater.

**Note:** Your appliance may vary from model shown but log placement will be the same.

1. Place front logs (1L and 1R) on top of grate. Make sure notches in bottom of logs fit over grate prongs (see Figure 28).
2. Rest bottom of center log (#2) behind metal posts on front burner (see Figure 29, page 20). Make sure grooves in bottom of log fit over grate. Bring log forward against metal posts.

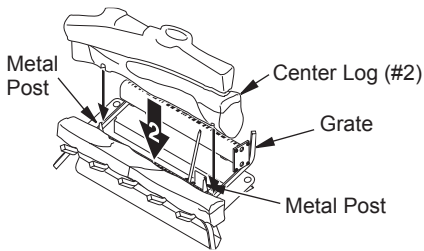


**Figure 28 - Installing Front Logs**

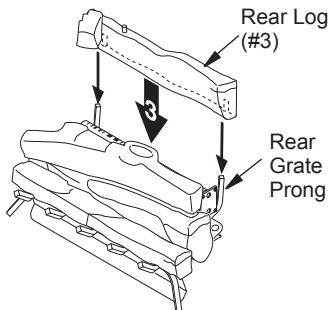
## INSTALLATION

*Continued*

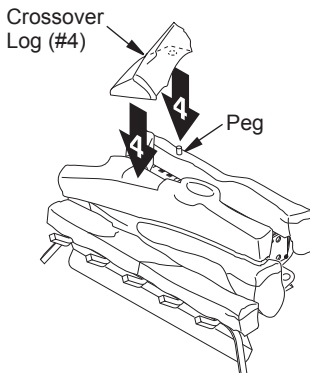
- Slide groove on back of rear log against the rear grate prongs. Make sure the peg on the log is on top (see Figure 30).
- Place the crossover log on the rear and middle logs. Make sure peg on rear log is in the hole in bottom of crossover log. The crossover log should fit in cutout of middle log (see Figure 31).



**Figure 29 - Installing Center Log**



**Figure 30 - Installing Rear Log (#3)**



**Figure 31 - Installing Crossover Log (#4)**

## INSTALLING LOGS

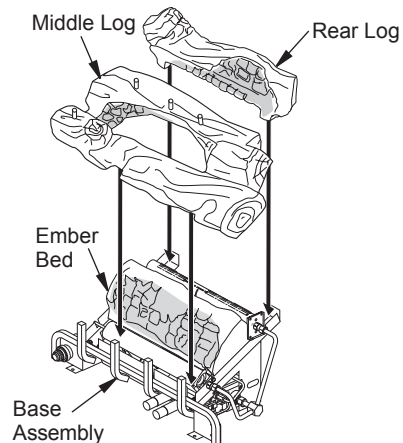
Models (V)L36(ZNR, LZNR, ZPR, LZPR)  
and (V)L42(ZNR, LZNR, ZPR, LZPR)

**⚠ WARNING:** Failure to position the parts in accordance with these diagrams or failure to use only parts specifically approved with this heater may result in property damage or personal injury.

Each log is marked with a number. These numbers will help you identify the log when installing. It is very important to install these logs exactly as instructed. Do not modify logs. Only use logs supplied with heater.

**Note:** Your appliance may vary from model shown but log placement will be the same.

- Place ember bed in center of the base assembly as shown in Figure 32.
- Rest rear log in back corner sections of base assembly as shown in Figure 32. Make sure log is completely vertical and not leaning in toward burner where the flame will touch the log.
- Position middle log as shown in Figure 32 making sure the grooves in the bottom of the log fit over the grate prongs. This log will rest on top of the bottom log.

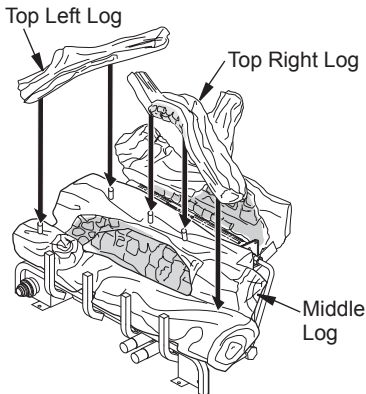


**Figure 32- Installing Ember Bed, Rear and Middle Logs**

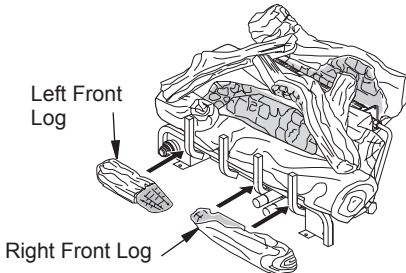
## INSTALLATION

*Continued*

- Place top right log onto pins of middle log (see Figure 32, page 20). The bottom of the top log will rest on the middle log as shown in Figures 33 and 34.
- Place top left log on middle log as shown in Figure 33.
- Place right and left front logs against grate as shown in Figure 34 to hide the controls.



**Figure 33 - Installing Top Logs**



**Figure 34 - Installing Front Logs**

## OPERATING FIREPLACE

### MANUALLY-CONTROLLED MODELS

**FOR YOUR SAFETY  
READ BEFORE LIGHTING**

**⚠ WARNING:** If you do not follow these instructions exactly, a fire or explosion may result causing property damage, personal injury or loss of life.

- This appliance has a pilot which must be lighted by hand. When lighting the pilot, follow these instructions exactly.
- BEFORE LIGHTING** smell all around the appliance area for gas. Be sure to smell next to the floor because some gas is heavier than air and will settle on the floor.  
**WHAT TO DO IF YOU SMELL GAS**
  - Do not try to light any appliance.
  - Do not touch any electric switch; do not use any phone in your building.
  - Immediately call your gas supplier from a neighbor's phone. Follow the gas supplier's instructions.
  - If you cannot reach your gas supplier, call the fire department.
- Use only your hand to push in or turn the gas control knob. Never use tools. If the knob will not push in or turn by hand, don't try to repair it, call a qualified service technician or gas supplier. Force or attempted repair may result in a fire or explosion.
- Do not use this appliance if any part has been under water. Immediately call a qualified service technician to inspect the appliance and to replace any part of the control system and any gas control which has been under water.

# OPERATING FIREPLACE

Continued

## LIGHTING INSTRUCTIONS


### ⚠ WARNING:

- If fireplace has glass doors, never operate this heater with glass doors closed. If you operate heater with doors closed, heat buildup inside fireplace will cause glass to burst. Make sure there are no obstructions across openings of fireplace.
- You must operate this heater with a fireplace screen in place. Make sure fireplace screen is closed before running heater.


**NOTICE:** During initial operation of new heater, burning logs will give off a paper-burning smell. Orange flame will also be present. Open damper or window to vent smell. This will only last a few hours.

**Note:** Home owners generally prefer to operate their heater with the chimney damper closed. This will put all the heat into the room. However, there may be times you will desire the full flames of the High heat setting but will find the heat output excessive. You can open the chimney damper (if you have one) fully or partially to release some of the heat.

⚠ **WARNING:** Damper handle will be hot if heater has been running.

1. STOP! Read the safety information in column 2, page 21.
2. Make sure equipment shutoff valve is fully open.
3. Press in and turn control knob clockwise  to the OFF position.

4. Wait five (5) minutes to clear out any gas. Then smell for gas, including near the floor. If you smell gas, STOP! Follow "B" in the safety information in column 1. If you don't smell gas, go to the next step.

5. Press in control knob and turn counter-clockwise  to the PILOT position. Keep control knob pressed in for five (5) seconds (see Figure 35).

**Note:** You may be running this heater for the first time after hooking up to gas supply. If so, the control knob may need to be pressed in for 30 seconds or more. This will allow air to bleed from the gas system.


6. With control knob pressed in, press and release ignitor button. This will light pilot. The pilot is attached to the front burner. If needed, keep pressing ignitor button until pilot lights.

**Note:** If pilot does not light, contact a qualified service person or gas supplier for repairs. Until repairs are made, light pilot with match. To light pilot with match, see *Manual Lighting Procedure*, page 23.

7. Keep control knob pressed in for 30 seconds after lighting pilot. After 30 seconds, release control knob.

• If control knob does not pop out when released, contact a qualified service person or gas supplier for repairs.

**Note:** If pilot goes out, repeat steps 3 through 7.

8. Push in and turn control knob counter-clockwise  to the HI position. Both burners should light. Set control knob to desired setting.

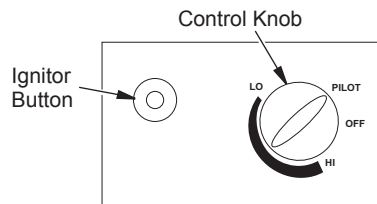


Figure 35 - Control Knob and Ignitor Button Location

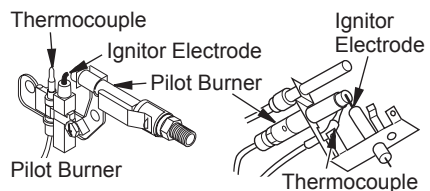



Figure 36- Pilots

## OPERATING FIREPLACE

*Continued*

### VARIABLE CONTROL OPERATION




The variable control valve can be set to any heat setting and flame height desired, by simply turning the control knob until that setting is attained. Even the lowest setting provides realistic flames and glowing embers from two burners. Selecting higher settings produces greater heat output. This results in increased heating comfort.

 **WARNING: Do not operate heater between locked positions.**



 **CAUTION: Do not try to adjust heating levels by using the equipment shutoff valve.**

### TO TURN OFF GAS TO APPLIANCE

#### Shutting Off Heater

1. Press in and turn control knob clockwise  to the HI position.
2. Turn the control knob clockwise  to the PILOT position.
3. Press in control knob and turn clockwise  to the OFF position.

#### Shutting Off Burners Only (pilot stays lit)


1. Turn the control knob clockwise  to the HI position.
2. Press in and turn control knob clockwise  to the PILOT position.

### MANUAL LIGHTING PROCEDURE

1. Follow steps 1 through 5 under *Lighting Instructions*, page 22.
2. Depress control knob and light pilot with match.
3. Keep control knob pressed in for 30 seconds after lighting pilot. After 30 seconds, release control knob. Now follow step 8, column 2, page 22.

### REMOTE-READY MODELS

#### FOR YOUR SAFETY READ BEFORE LIGHTING

 **WARNING: If you do not follow these instructions exactly, a fire or explosion may result causing property damage, personal injury or loss of life.**

- A. This appliance has a pilot which must be lighted by hand. When lighting the pilot, follow these instructions exactly.
- B. BEFORE LIGHTING smell all around the appliance area for gas. Be sure to smell next to the floor because some gas is heavier than air and will settle on the floor.  
**WHAT TO DO IF YOU SMELL GAS**
  - Do not try to light any appliance.
  - Do not touch any electric switch; do not use any phone in your building.
  - Immediately call your gas supplier from a neighbor's phone. Follow the gas supplier's instructions.
  - If you cannot reach your gas supplier, call the fire department.
- C. Use only your hand to push in or turn the gas control knob. Never use tools. If the knob will not push in or turn by hand, don't try to repair it, call a qualified service technician or gas supplier. Force or attempted repair may result in a fire or explosion.
- D. Do not use this appliance if any part has been under water. Immediately call a qualified service technician to inspect the appliance and to replace any part of the control system and any gas control which has been under water.

# OPERATING FIREPLACE

Continued

## LIGHTING INSTRUCTIONS

### ⚠ WARNING

- If fireplace has glass doors, never operate this heater with glass doors closed. If you operate heater with doors closed, heat buildup inside fireplace will cause glass to burst. Make sure there are no obstructions across openings of fireplace.
- You must operate this heater with a fireplace screen in place. Make sure fireplace screen is closed before running heater.

**NOTICE:** During initial operation of new heater, burning logs will give off a paper-burning smell. Orange flame will also be present. Open damper or window to vent smell. This will only last a few hours.

**Note:** Home owners generally prefer to operate their heater with the chimney damper closed. This will put all the heat into the room. However, there may be times you will desire the full flames of the HI heat setting but will find the heat output excessive. You can open the chimney damper (if you have one) fully or partially to release some of the heat.

**⚠ WARNING:** Damper handle will be hot if heater has been running.

1. STOP! Read the safety information, starting in column 2.
2. Make sure equipment shutoff valve is fully open.
3. Set selector switch in the OFF position.
4. Press in and turn control knob clockwise to the OFF position (see Figure 37).

**⚠ WARNING:** Burners will come on automatically within one minute when the selector switch is in the ON position after the pilot is lit.

5. Wait five (5) minutes to clear out any gas. Then smell for gas, including near the floor. If you smell gas, STOP! Follow “B” in the safety information, starting in column 2, page 23. If you don’t smell gas, go to the next step.
6. Press in and turn control knob counter-clockwise to the PILOT position. Press in control knob for five (5) seconds (see Figure 37).

**Note:** You may be running this heater for the first time after hooking up to gas supply. If so, the control knob may need to be pressed in for 30 seconds or less. This will allow air to bleed from the gas system.

7. With control knob pressed in, press and release ignitor button. This will light pilot. The pilot is attached to the front burner. If needed, keep pressing ignitor button until pilot lights.
8. Keep control knob pressed in for 30 seconds after lighting pilot. After 30 seconds, release control knob.

• If control knob does not pop out when released, contact a qualified service person or gas supplier for repairs.

**Note:** If pilot goes out, repeat steps 4 through 8.

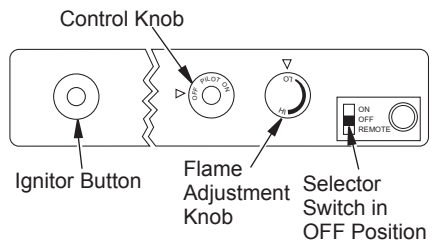



Figure 37 - Control Knob and Ignitor Button Location



# OPERATING FIREPLACE

*Continued*

9. Slightly push in and turn control knob counterclockwise  to the ON position.
10. Wait one minute and switch selector switch to the ON position to light burners. Note: AUTO is only functional when using GWMT1 or GWMS2 optional accessories.

**CAUTION:** Do not try to adjust heating levels by using the equipment shutoff valve.

**WARNING:** Make sure the selector switch is in the OFF position when you are away from home for long periods of time. Heater will come on automatically with selector switch in the ON position.

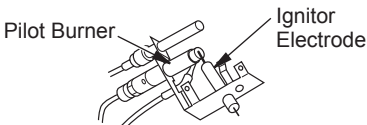


Figure 38 - Propane/LP Pilot (Pilots may vary by model)

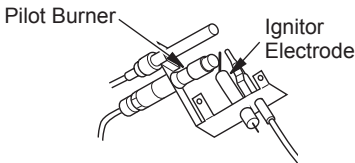




Figure 39 - Natural Pilot (Pilots may vary by model)

## TO TURN OFF GAS TO APPLIANCE

### Shutting Off Heater

1. Turn control knob clockwise  to the OFF position.
- 2a. Set selector switch in the OFF position.
- 2b. If Using Optional Hand-Held Remote: Set selector switch in the OFF position to prevent draining battery.

**Shutting Off Burners Only (pilot stays lit)**  
You may shut off the burners and keep the pilot lit by doing one of the following:

1. Turn control knob clockwise  to the PILOT position.
2. Use remote control manual OFF button.
3. Set selector switch in the OFF position.

## MANUAL LIGHTING PROCEDURE

1. Follow steps 1 through 6 under *Lighting Instructions*, page 24.
2. Depress control knob and light pilot with match.
3. Keep control knob pressed in for 30 seconds after lighting pilot. After 30 seconds, release control knob. Now follow steps 9 and 10 under *Lighting Instructions*, column 1.

## OPTIONAL HAND-HELD REMOTE OPERATION

**Note:** All remote control accessories must be purchased separately (see *Accessories*, page 35). Follow instructions included with the remote control.

**NOTICE:** You must light the pilot before using the hand-held remote control unit. See *Lighting Instructions* on page 24.

After lighting, let pilot flame burn for about one minute. Turn control knob to ON position. Adjust flame adjustment knob anywhere between HI and LO. Slide the selector switch to the REMOTE position (see Figure 40). **Note:** The burner may light if hand-held remote was on when selector switch was last turned off. You can now turn the burner on and off with the hand-held remote control unit.

**IMPORTANT:** Do not leave the selector switch in the REMOTE or ON position when the pilot is not lit. This will drain the battery.

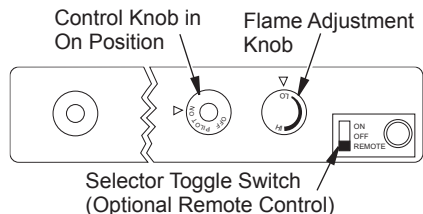


Figure 40 - Setting the Selector switch, Control Knob and Flame Adjustment Knob for Remote Operation

# OPERATING FIREPLACE

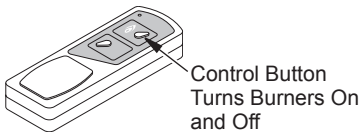
*Continued*

## ON/OFF SERIES (MODEL GHRCB)

Hold the control button on the hand-held remote until burner turns on. Hold the control button again until burner turns off (see Figure 41).

To Lock press both buttons on hand-held remote control until light stops flashing. Hand-held remote control is now locked. If the fire is on it will be turned off automatically. In the locked state, the light will not light up when any button is pressed.

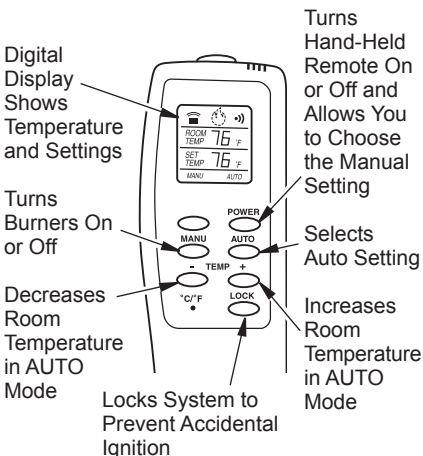
To Unlock press both buttons together on hand-held remote control until the light stops flashing. The hand-held remote is now unlocked.



**Figure 41 - On/Off Hand-Held Remote Control Unit (GHRCB)**

## THERMOSTAT SERIES (MODEL GHRCTB)

The hand-held remote can be operated using either the manual mode (MANU) or thermostatic mode (AUTO) (see Figure 42). To select Fahrenheit/Centigrade mode display, carefully press the °C/°F mode button with the end of a paper clip or similar blunt object.



**Figure 42 - Thermostat Hand-Held Remote Control Unit (GHRCTB)**

### Manual Mode

1. Press the POWER and LOCK buttons together to turn on the hand-held remote control.
2. Press the MANU button to turn on the fireplace.
3. Press the POWER and LOCK buttons together to turn off the fireplace.

### Auto (Thermostatic) Mode

1. Press the POWER and LOCK buttons together to turn on the hand-held remote control.
2. Press AUTO button to select this mode.
3. Set the desired room temperature by pressing the TEMP + or - buttons.
4. Press the POWER and LOCK buttons together to turn off the fireplace

**Note:** Do not leave the hand-held remote in the AUTO mode close to the fireplace. The radiant heat from the fireplace will turn off the fireplace. Ideally, place the hand-held remote in the center of the room facing towards the fireplace.

**Note:** Do not hold the hand-held remote for a long time. Body temperature will affect its operation in the AUTO mode.

### Safety Features

When away from home for an extended period of time or as a child safety feature to prevent accidental ignition of the fireplace, the receiver ON/OFF/REMOTE switch should be in the OFF position.

### Auto Shutoff Feature

1. If the average room temperature exceeds 82 degrees Fahrenheit (28 degrees Centigrade), the hand-held remote control will perform a safety override and shut the fireplace off. This feature is not available in the MANU mode.
2. The receiver continuously receives signals from the hand-held remote to control the room temperature. If the hand-held remote is misplaced, obstructed or for any reason cannot transmit to the receiver, the receiver will shut off the fireplace after 8 minutes.

### Key Pad Lock Feature

This feature allows the user to lock/unlock the keypad on the hand-held remote in the MANU or AUTO mode to prevent inadvertent operation (i.e. children operating the hand-held remote control, etc.). The keypad is locked in either on or off. Press the POWER and LOCK buttons together to turn the unit on or off.

## INSPECTING BURNERS

Check pilot flame pattern and burner flame patterns often.

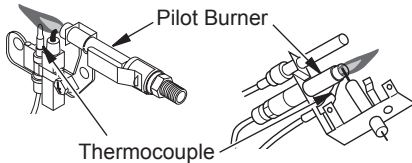
### PILOT FLAME PATTERN

Figure 43 shows a correct pilot flame pattern. Figure 44 shows an incorrect pilot flame pattern. The incorrect pilot flame is not touching the thermocouple. This will cause the thermocouple to cool. When the thermocouple cools, the heater will shut down.

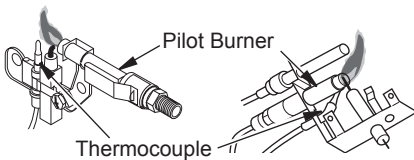
If pilot flame pattern is incorrect, as shown in Figure 44

- turn heater off (see *To Turn Off Gas to Appliance*, page 23 [Manually-Controlled Models] or page 25 [Remote-Ready Models])
- see *Troubleshooting*, page 29

**Note:** The pilot flame on natural gas units will have a slight curve, but flame should be blue and have no yellow or orange color.



**Figure 43 - Correct Pilot Flame Pattern**  
(Your pilot may vary from pilots shown)



**Figure 44 - Incorrect Pilot Flame Pattern**  
(Your pilot may vary from pilots shown)

### FRONT BURNER FLAME PATTERN

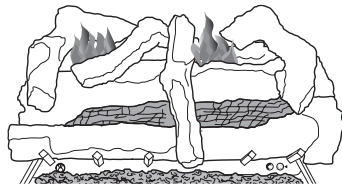
Figure 45 shows correct front burner flame pattern. Figure 46 shows incorrect front burner flame pattern. The incorrect burner flame pattern shows yellow tipping at top of blue flame.

**WARNING:** If yellow tipping occurs, your heater could produce increased levels of carbon monoxide. If front burner flame pattern shows yellow tipping, follow instructions at bottom of this page. Yellow flame on rear burner is normal.

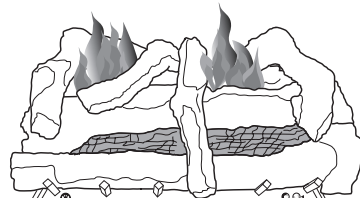
**NOTICE:** Do not mistake orange flames with yellow tipping. Dirt or other fine particles are burned by heater, causing brief patches of orange flame.

If front burner flame pattern is incorrect, as shown in Figure 46

- turn heater off (see *To Turn Off Gas to Appliance*, page 23 [Manually-Controlled Models] or page 25 [Remote-Ready Models])
- see *Troubleshooting*, page 29



**Figure 45 - Correct Front Burner Flame Pattern**



**Figure 46 - Incorrect Front Burner Flame Pattern**

## CLEANING AND MAINTENANCE

**⚠ WARNING:** Turn off heater and let cool before cleaning.

**⚠ CAUTION:** You must keep control areas, burners and circulating air passageways of heater clean. Inspect these areas of heater before each use. Have heater inspected yearly by a qualified service person. Heater may need more frequent cleaning due to excessive lint from carpeting, pet hair, bedding material, etc.

**⚠ WARNING:** Failure to keep the primary air opening(s) of the burner(s) clean may result in sooting and property damage.

### BURNER INJECTOR HOLDER AND PILOT AIR INLET HOLE

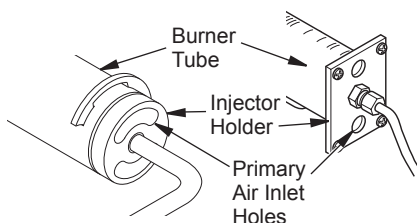
The primary air inlet holes allow the proper amount of air to mix with the gas. This provides a clean burning flame. Keep these holes clear of dust, dirt, lint and pet hair. Clean these air inlet holes prior to each heating season. Blocked air holes will create soot. We recommend that you clean the unit every three months during operation and have heater inspected yearly by a qualified service person.

We also recommend that you keep the burner tube and pilot assembly clean and free of dust and dirt. To clean these parts we recommend using compressed air no greater than 30 PSI. Your local computer store, hardware store or home center may carry compressed air in a can. You can use a vacuum cleaner in the blow position. If using compressed air in a can, please follow the directions on the can. If you don't follow directions on the can, you could damage the pilot assembly.

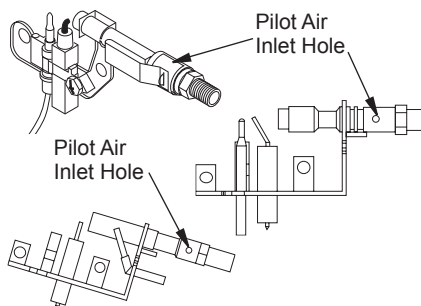
1. Shut off the unit, including the pilot. Allow the unit to cool for at least thirty minutes.
2. Inspect burner, pilot and primary air inlet holes on injector holder for dust and dirt (see Figure 47).
3. Blow air through the ports/slots and holes in the burner.

4. Check the injector holder located at the end of the burner tube again. Remove any large particles of dust, dirt, lint or pet hair with a soft cloth or vacuum cleaner nozzle.
5. Blow air into the primary air holes on the injector holder.
6. In case any large clumps of dust have now been pushed into the burner repeat steps 3 and 4.

Clean the pilot assembly also. A yellow tip on the pilot flame indicates dust and dirt in the pilot assembly. There is a small pilot air inlet hole about two inches from where the pilot flame comes out of the pilot assembly (see Figure 48). With the unit off, lightly blow air through the air inlet hole. You may blow through a drinking straw if compressed air is not available.



**Figure 47 - Injector Holder On Outlet Burner Tube (Burner will vary by model)**



**Figure 48 - Pilot Inlet Air Hole (Your pilot assembly may vary from pilots shown)**

### CLEANING LOGS

- If you remove logs for cleaning, refer to *Installing Logs*, page 19, to properly replace logs.
- Replace log(s) if broken or chipped (dime-sized or larger).

## TROUBLESHOOTING

 **WARNING: Turn off and unplug heater and let cool before servicing. Only a qualified service person should service and repair heater.**

 **CAUTION: Never use a wire, needle or similar object to clean ODS/pilot. This can damage ODS/pilot unit.**

*Note:* All troubleshooting items are listed in order of operation.

OBSERVED PROBLEM	POSSIBLE CAUSE	REMEDY
When ignitor button is pressed, there is no spark at ODS/pilot	1. Ignitor electrode not connected to ignitor cable	1. Reconnect ignitor cable
	2. Ignitor cable pinched or wet	2. Free ignitor cable if pinched by any metal or tubing. Keep ignitor cable dry
	3. Piezo ignitor nut is loose	3. Tighten nut holding piezo ignitor to base panel of log set. Nut is located behind base panel
	4. Broken ignitor cable	4. Replace ignitor cable
	5. Bad piezo ignitor	5. Replace piezo ignitor
	6. Ignitor electrode positioned wrong or broken	6. Replace pilot assembly for remote-ready units; Replace ignitor electrode for variable manually controlled units
When ignitor button is pressed, there is spark at ODS/pilot but no ignition	1. Gas supply turned off or equipment shutoff valve closed	1. Turn on gas supply or open equipment shutoff valve
	2. Control knob not in PILOT position	2. Turn control knob to PILOT position
	3. Control knob not pressed in while in PILOT position	3. Press in control knob while in PILOT position
	4. Air in gas lines when installed	4. Continue holding down control knob. Repeat igniting operation until air is removed
	5. Depleted gas supply (propane/LP only)	5. Contact local propane/LP gas company
	6. ODS/pilot is clogged	6. Clean ODS/pilot (see <i>Cleaning and Maintenance</i> , page 28) or replace ODS/pilot assembly
	7. Gas regulator setting is not correct	7. Replace gas regulator

---

## TROUBLESHOOTING

*Continued*

OBSERVED PROBLEM	POSSIBLE CAUSE	REMEDY
ODS/pilot lights but flame goes out when control knob is released	1. Control knob not fully pressed in	1. Press in control knob fully
	2. Control knob not pressed in long enough	2. After ODS/pilot lights, keep control knob pressed in 30 seconds
	3. Safety interlock system has been triggered	3. Wait one minute for safety interlock system to reset. Repeat ignition operation
	4. Equipment shutoff valve not fully open	4. Fully open equipment shutoff valve
	5. Pilot flame not touching thermocouple, which allows thermocouple to cool, causing pilot flame to go out. This problem could be caused by one or both of the following: A) Low gas pressure B) Dirty or partially clogged ODS/pilot	5. A) Contact local natural or propane/LP gas company  B) Clean ODS/pilot (see <i>Cleaning and Maintenance</i> , page 28) or replace ODS/pilot assembly
	6. Thermocouple connection loose at control valve	6. Hand tighten until snug, then tighten 1/4 turn more
	7. Thermocouple damaged	7. Replace pilot assembly
	8. Control valve damaged	8. Replace control valve
One or both burners do not light after ODS/pilot is lit	1. Inlet gas pressure is too low	1. Contact local natural or propane/LP gas company
	2. Burner orifice(s) clogged	2. Clean burner(s) (see <i>Cleaning and Maintenance</i> , page 28) or replace burner orifice(s)
	3. Mislocated crossover tube	3. Contact qualified service person
	4. Remote selector in OFF position (Remote-Ready Models Only)	4. Put remote selector in ON position
	5. Wire disconnected from gas control (Remote-Ready Models Only)	5. See <i>Wiring Diagram</i> , page 33
Delayed ignition of one or both burners	1. Manifold pressure is too low	1. Contact local natural or propane/LP gas company
	2. Burner orifice(s) clogged	2. Clean burner(s) (see <i>Cleaning and Maintenance</i> , page 28) or replace burner orifice(s)
	3. Mislocated crossover tube	3. Contact qualified service person

---

## TROUBLESHOOTING

*Continued*

OBSERVED PROBLEM	POSSIBLE CAUSE	REMEDY
Burner backfiring during combustion	<ol style="list-style-type: none"><li>1. Burner orifice is clogged or damaged</li><li>2. Damaged burner</li><li>3. Gas regulator defective</li></ol>	<ol style="list-style-type: none"><li>1. Clean burner (see <i>Cleaning and Maintenance</i>, page 28) or replace burner orifice</li><li>2. Replace damaged burner</li><li>3. Replace gas regulator</li></ol>
Yellow flame in front burner during burner combustion	<ol style="list-style-type: none"><li>1. Not enough air</li><li>2. Gas regulator defective</li></ol>	<ol style="list-style-type: none"><li>1. Check burner(s) for dirt and debris. If found, clean burner(s) (see <i>Cleaning and Maintenance</i>, page 28)</li><li>2. Replace gas regulator</li></ol>
Slight smoke or odor during initial operation	<ol style="list-style-type: none"><li>1. Residues from manufacturing processes and logs curing</li></ol>	<ol style="list-style-type: none"><li>1. Problem will stop after a few hours of operation</li></ol>
Heater produces a whistling noise when burners are lit	<ol style="list-style-type: none"><li>1. Turning control knob to HI position when burners are cold</li><li>2. Air in gas line</li><li>3. Air passageways on heater blocked</li><li>4. Dirty or partially clogged burner orifice(s)</li></ol>	<ol style="list-style-type: none"><li>1. Turn control knob to LO position and let warm up for a minute</li><li>2. Operate burners until air is removed from line. Have gas line checked by local natural or propane/LP gas company</li><li>3. Observe minimum installation clearances (see pages 9 through 11)</li><li>4. Clean burners (see <i>Cleaning and Maintenance</i>, page 28) or replace burner orifice(s)</li></ol>
White powder residue forming within burner box or on adjacent walls or furniture	<ol style="list-style-type: none"><li>1. When heated, vapors from furniture polish, wax, carpet cleaners, etc. turn into white powder residue</li></ol>	<ol style="list-style-type: none"><li>1. Turn heater off when using furniture polish, wax, carpet cleaners or similar products</li></ol>
Moisture/condensation noticed on windows	<ol style="list-style-type: none"><li>1. Not enough combustion/ventilation air</li></ol>	<ol style="list-style-type: none"><li>1. Refer to <i>Air for Combustion and Ventilation</i> requirements (page 7)</li></ol>

# TROUBLESHOOTING

Continued



**WARNING: If you smell gas**

- Shut off gas supply.
- Do not try to light any appliance.
- Do not touch any electrical switch; do not use any phone in your building.
- Immediately call your gas supplier from a neighbor's phone. Follow the gas supplier's instructions.
- If you cannot reach your gas supplier, call the fire department.

*IMPORTANT:* Operating heater where impurities in air exist may create odors. Cleaning supplies, paint, paint remover, cigarette smoke, cements and glues, new carpet or textiles, etc., create fumes. These fumes may mix with combustion air and create odors. These odors will disappear over time.

OBSERVED PROBLEM	POSSIBLE CAUSE	REMEDY
Remote does not function (Remote-Ready Models Only)	1. Battery is not installed. Battery power is low	1. Replace 9-volt batteries in receiver and hand-held remote
Heater produces a clicking/ticking noise just after burners are lit or shut off	1. Metal expanding while heating or contracting while cooling	1. This is common with most heaters. If noise is excessive, contact qualified service person
Heater produces unwanted odors	1. Heater burning vapors from paint, hair spray, glues, cleaners, chemicals, new carpet, etc. (See <i>IMPORTANT</i> statement above) 2. Low fuel supply (propane/LP only) 3. Gas leak. <b>See Warning statement at top of page</b>	1. Open window to ventilate room. Stop using odor causing products while heater is running 2. Refill supply tank (propane/LP only) 3. Locate and correct all leaks (see <i>Checking Gas Connections</i> , page 17)
Heater shuts off in use (ODS operates)	1. Not enough fresh air is available 2. Low line pressure 3. ODS/pilot is partially clogged	1. Open window and/or door for ventilation 2. Contact local natural or propane/LP gas company 3. Clean ODS/pilot (see <i>Cleaning and Maintenance</i> , page 28)
Gas odor even when control knob is in OFF position	1. Gas leak. <b>See Warning statement at top of page</b> 2. Control valve or gas control defective	1. Locate and correct all leaks (see <i>Checking Gas Connections</i> , page 17) 2. Replace control valve or gas control
Gas odor during combustion	1. Foreign matter between control valve and burner 2. Gas leak. <b>See Warning statement at top of page</b>	1. Take apart gas tubing and remove foreign matter 2. Locate and correct all leaks (see <i>Checking Gas Connections</i> , page 17)
Log set cycles to pilot, but room temperature drops to a lower than ideal level before log set comes back on	1. Hand-held remote control is too close to heater (Remote-Ready Models Only)	1. Move hand-held remote control unit farther away from the heater



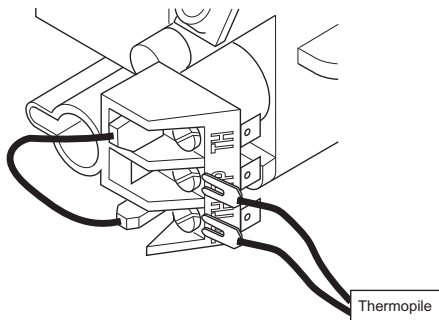
## SPECIFICATIONS

<b>Manually-Controlled Models</b>	<b>(V)L32(HN, LHN, HP, LHP)</b>	<b>(V)L36(EN, LEN, EP, LEP)</b>
Btu (Variable)	16,000/27,000	20,000/33,000
Type Gas	Propane/LP - Natural	Propane/LP - Natural
Ignition	Piezo	Piezo
Manifold Pressure	7.9" W.C. - 3.4" W.C.	7.9" W.C. - 3.4" W.C.
Inlet Gas Pressure (in. of water)		
Maximum	14" - 10.5"	14" - 10.5"
Minimum*	11" - 5"	11" - 5"
Shipping Weight	104 lbs.	184 lbs.
* For purpose of input adjustment		

<b>Remote-Ready Models</b>	<b>(V)L36(ZNR, LZNR, ZPR, LZPR)</b>	<b>(V)L42(ZNR, LZNR, ZPR, LZPR)</b>
Btu (Variable)	25,000/36,000	25,000/36,000
Type Gas	Propane/LP - Natural	Propane/LP - Natural
Ignition	Piezo	Piezo
Manifold Pressure	7.9" W.C. - 3.4" W.C.	7.9" W.C. - 3.4" W.C.
Inlet Gas Pressure (in. of water)		
Maximum	14" - 10.5"	14" - 10.5"
Minimum*	11" - 5"	11" - 5"
Shipping Weight	184 lbs.	224 lbs.
* For purpose of input adjustment		

## WIRING DIAGRAM

(REMOTE-READY MODELS ONLY)



---

## SERVICE HINTS

### When Gas Pressure Is Too Low

- pilot will not stay lit
- burners will have delayed ignition
- heater will not produce specified heat
- propane/LP gas supply may be low

You may feel your gas pressure is too low. If so, contact your local propane/LP or natural gas supplier.

## TECHNICAL SERVICE

You may have further questions about installation, operation or troubleshooting. If so, contact DESA's Technical Service Department at 1-866-672-6040. When calling please have your model and serial numbers of your heater ready.

You can also visit DESA's technical services web site at [www.desatech.com](http://www.desatech.com).

## REPLACEMENT PARTS

*Note:* Use only original replacement parts. This will protect your warranty coverage for parts replaced under warranty.

### PARTS UNDER WARRANTY

Contact authorized dealers of this product. If they can't supply original replacement part(s), call DESA's Technical Service Department at 1-866-672-6040.

When calling DESA, have ready

- your name
- your address
- model and serial numbers of your firebox
- how firebox was malfunctioning
- type of gas used (propane/LP or natural gas)
- purchase date

Usually, we will ask you to return the part to the factory.

### PARTS NOT UNDER WARRANTY

Contact authorized dealers of this product. If they can't supply original replacement part(s), call DESA at 1-866-672-6040 for referral information.

When calling DESA, have ready

- model number of your firebox
- the replacement part number

*Note:* The firebox identification label (including model number, serial number, clearances, etc.) is located on the right front edge of the firebox.

## ACCESSORIES

**NOTICE: All accessories may not be available for all fireplace models.**

Purchase these firebox accessories from your local dealer. If they can not supply these accessories, call DESA's Sales Department at 1-866-672-6040 for information. You can also write to the address listed on the back page of this manual.

### EQUIPMENT SHUTOFF VALVE GA5010

**All Models.** Equipment shutoff valve with 1/8" NPT tap.

### CLEANING KIT - GCK/CCK

**All Models.** Your vent-free gas appliance requires regular cleaning and maintenance to prevent performance problems. This kit gives you the tools and instructions to make it easy to clean all critical areas of your appliance.

### FIRE CRACKEL - CF6-A

Creates the sound of a real burning fire.

### BLOWER KIT

**BK** - Squirrel Cage Blower With Speed Control

### MANTELS

**GMC36FA** - 32" Corner Mantel - Walnut Stained

**GMC37UA** - 32" Corner Mantel - Unfinished

**GMC13FD** - 32" Cabinet Mantel - Oak Finish

**GMC11FD** - 32" Cabinet Mantel - Walnut Stained

**GMC12UD** - 32" Cabinet Mantel - Unfinished

**GM202FC** - 32" Corner Mantel - Oak Finish

**GM102WC** - 32" Cabinet Mantel - Painted White

**GMC8CU** - 32" Cabinet Mantel & Base - Unfinished, Exclusive

**GMC10CF** - 32" Cabinet Mantel & Base - Oak Finish, Exclusive

**GMC90F** - 32" Columned Cabinet Mantel & Base - Stained Oak

**GMC91U** - 32" Columned Cabinet & Base - Unfinished Birch

**GMC92F** - 32" Columned Cabinet & Base - Cherry Finished Birch

**GMC14U** - 36" Cabinet Mantel & Base - Unfinished

**GMC50W** - 36" Cabinet Mantel & Base - Painted White

**GMC55F** - 36" Cabinet Mantel & Base - Oak Stained Finish

**GMC56F** - 36" Corner Mantel & Base - Oak Stained Finish

*Note:* No 42" mantels offered at this time.

## BASES

**GC3333FC** - 32" Cabinet Base - Walnut Stained

**GC3334UC** - 32" Cabinet Base - Unfinished

**GC3335FC** - 32" Cabinet Base - Oak Finish

**G3010FC** - 32" Corner Base - Unfinished

**G3008FB** - 32" Corner Base - Walnut Stained

**G3009UB** - 32" Corner Base - Unfinished

**G3004WB** - 32" Cabinet Base - Painted White

## HOODS

**H36B** - 36" Hood - Brushed Brass

**H36P** - 36" Hood - Platinum

**H36PB** - 36" Hood - Polished Brass

**H42B** - 42" Hood - Brushed Brass

**H42P** - 42" Hood - Platinum

**H42PB** - 42" Hood - Polished Brass

## LOUVER TRIM

**LT32B** - 32" Louver Trim Kit - Brushed Brass

**LT32P** - 32" Louver Trim Kit - Platinum

**LT36B** - 36" Louver Trim Kit - Brushed Brass

**LT36P** - 36" Louver Trim Kit - Platinum

**LT42B** - 42" Louver Trim Kit - Brushed Brass

**LT42P** - 42" Louver Trim Kit - Platinum

## PERIMETER TRIM

**PT32** - 32" Perimeter Trim - Black

**PT32B** - 32" Perimeter Trim - Brushed Brass

**PT32PB** - 32" Perimeter Trim - Polished Brass

**PT32P** - 32" Perimeter Trim - Platinum

**PT36** - 36" Perimeter Trim - Black

**PT36B** - 36" Perimeter Trim - Brushed Brass

**PT36PB** - 36" Perimeter Trim - Polished Brass

**PT36P** - 36" Perimeter Trim - Platinum

**PT42** - 42" Perimeter Trim - Black

**PT42B** - 42" Perimeter Trim - Brushed Brass

**PT42PB** - 42" Perimeter Trim - Polished Brass

**PT42P** - 42" Perimeter Trim - Platinum

## RECEIVER AND HAND-HELD THERMOSTAT REMOTE CONTROL KIT - GHRCTB

**For all models.** Allows the gas log heater to be operated in a manually or thermostatically controlled mode. You can turn the gas log heater on and off without ever leaving the comfort of your easy chair.

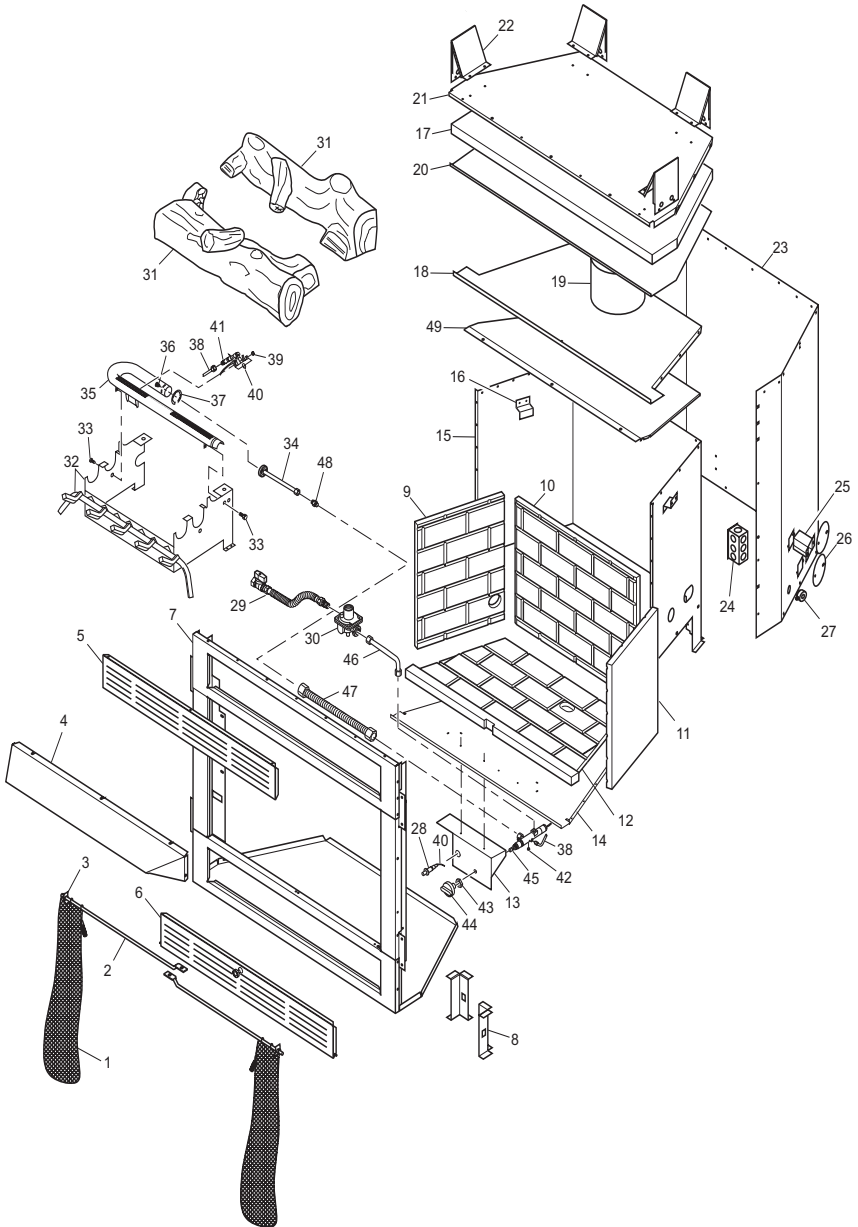
## RECEIVER AND HAND-HELD REMOTE CONTROL KIT - GHRCB

**For all models.** Allows the gas log heater to be turned on and off by using a hand-held remote control.

# ILLUSTRATED PARTS BREAKDOWN

## MANUAL MODELS

L32HN, L32LHN, L32HP, L32LHP, VL32HN, VL32LHN, VL32HP AND VL32LHP



## PARTS LIST

This list contains replaceable parts used in your firebox. When ordering parts, follow the instructions listed under *Replacement Parts* on page 34 of this manual.

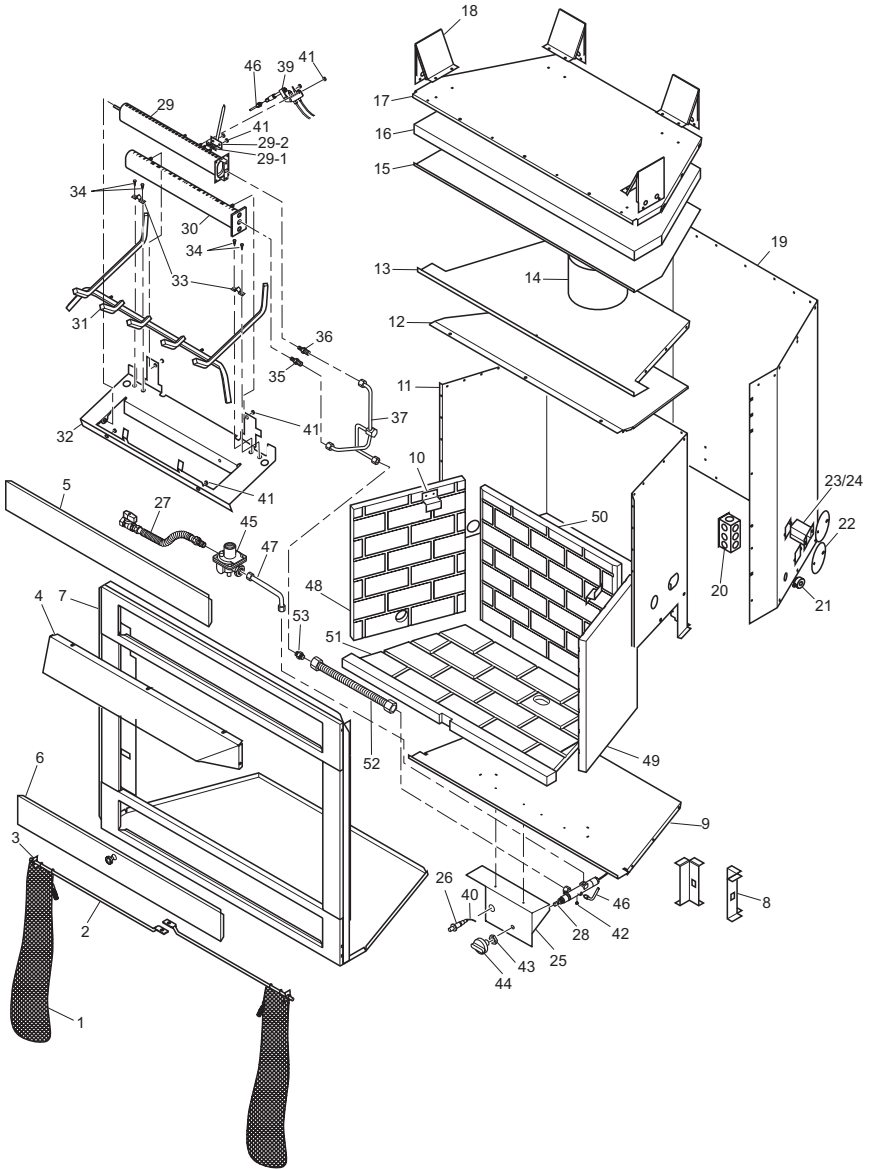
KEY NO.	PART NUMBER				DESCRIPTION	QTY.
	L32HN VL32HN	L32HP VL32HP	L32LHN VL32LHN	L32LHP VL32LHP		
1	108441-01	108441-01	108441-01	108441-01	Screen	2
2	108701-01	108701-01	108701-01	108701-01	Screen Rod	2
3	11418	11418	11418	11418	Push-On Nut	2
4	108414-01	108414-01	108414-01	108414-01	Deflector Hood	1
5	108423-01	108423-01	—	—	Face Top Panel (Black)	1
	—	—	108423-02	108423-02	Louver Face Top Panel	1
6	115314-01	115314-01	—	—	Face Bottom Assembly	1
	—	—	115314-04	115314-04	Louver Face Bottom Assy	1
7	**	**	**	**	Face Weldment	1
8	106683-01	106683-01	106683-01	106683-01	Firebox Support Leg	2
9	108434-01	108434-01	108434-01	108434-01	Left Refractory	1
10	108430-01	108430-01	108430-01	108430-01	Rear Refractory	1
11	108432-01	108432-01	108432-01	108432-01	Right Refractory	1
12	115262-01	115262-01	115262-01	115262-01	Bottom Refractory	1
13	116024-01	116024-01	116024-01	116024-01	Valve Bracket	1
14	**	**	**	**	Firebox Bottom	1
15	**	**	**	**	Firebox Surround	1
16	20027	20027	20027	20027	Refractory Retainer	2
17	**	**	**	**	Firebox Top Insulation	1
18	**	**	**	**	Firebox Top	1
19	108415-01	108415-01	108415-01	108415-01	Starter Pipe Collar	1
20	**	**	**	**	Insulation Pan	1
21	108403-03	108403-03	108403-03	108403-03	Fireplace Top	1
22	20280	20280	20280	20280	Top Spacer	4
23	**	**	**	**	Fireplace Surround	1
24	24353	24353	24353	24353	Handy Box Assy	2
25	108654-01	108654-01	108654-01	108654-01	Gas Conduit Left and Right Assy	2
26	21171	21171	21171	21171	Gas Knock-Out Cover	4
27	14123	14123	14123	14123	Strain Relief	1
28	14261	14261	14261	14261	Piezo Ignitor	1
29	14253	14253	14253	14253	Gas Line Flex w/Shut Off	1
30	098867-14	098867-10	098867-14	098867-10	Regulator	1
31	110397-01	110397-01	110397-01	110397-01	Two Piece Log Set	1
32	**	**	**	**	Painted Base Assembly	1
33	M11084-38	M11084-38	M11084-38	M11084-38	Hex Head Screw	2
34	116011-01	116011-01	116011-01	116011-01	Outlet Burner Tube	1
35	102963-01	102963-01	102963-01	102963-01	Burner	1
36	099056-20	099056-21	099056-20	099056-21	Burner Orifice Injector	1
37	102843-01	102843-01	102843-01	102843-01	Burner Clip	1
38	099387-05	099387-05	099387-05	099387-05	Pilot Tube	1
39	098249-01	098249-01	098249-01	098249-01	M5 Nut	2
40	098271-10	098271-10	098271-10	098271-10	Ignitor Cable	1
41	104285-01	104286-01	104285-01	104286-01	ODS Pilot	1
42	098276-01	098276-01	098276-01	098276-01	1/8" NPT Hex Head Plug	1
43	098508-01	098508-01	098508-01	098508-01	Valve Retainer Nut	1
44	098534-01	098534-01	098534-01	098534-01	Control Knob	1
45	102568-07	102568-08	102568-07	102568-08	Control Valve	1
46	116059-01	116059-01	116059-01	116059-01	Inlet Tube	1
47	111817-04	111817-04	111817-04	111817-04	Flexible Dormont T6-21 3/8	1
48	115998-01	115998-01	115998-01	115998-01	3/8" Compression Union	1
49	108413-01	108413-01	108413-01	108413-01	Shield Firebox Top	1
<b>PARTS AVAILABLE NOT SHOWN</b>						
	100563-01	100563-01	100563-01	100563-01	Warning Label	1
	101055-02	101055-02	101055-02	101055-02	Lighting Instruction Plate	1
	100639-01	100639-01	100639-01	100639-01	Caution Decal	1
	GA6060	GA6060	GA6060	GA6060	Lava Rock	1

\*\* Part shown is not field replaceable.

# ILLUSTRATED PARTS BREAKDOWN

## MANUAL MODELS

L36EN, L36LEN, L36EP, L36LEP, VL36EN, VL36LEN, VL36EP AND VL36LEP



## PARTS LIST

This list contains replaceable parts used in your firebox. When ordering parts, follow the instructions listed under *Replacement Parts* on page 34 of this manual.

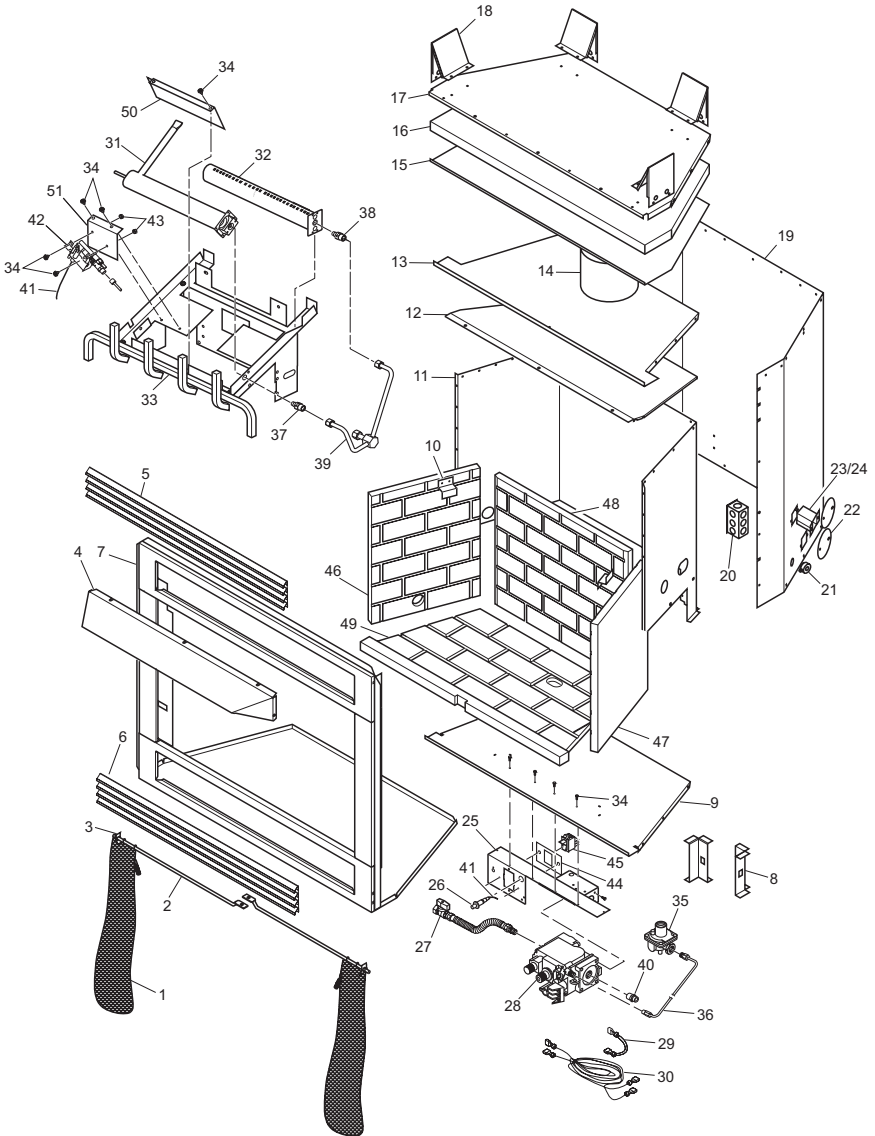
KEY NO.	PART NUMBER				DESCRIPTION	QTY.
	L36EN VL36EN	L36LEN VL36LEN	L36EP VL36EP	L36LEP VL36LEP		
1	12116	12116	12116	12116	Screen	2
2	106691-01	106691-01	106691-01	106691-01	Screen Rod	2
3	11418	11418	11418	11418	Push-On Nut	2
4	107944-01	107944-01	107944-01	107944-01	Deflector Hood	1
5	106651-01	—	106651-01	—	Top Panel, Smooth	1
	—	106684-01	—	106684-01	Top Panel	1
6	115314-02	—	115314-02	—	Bottom Panel Assy, Smooth	1
	—	115314-07	—	115314-07	Bottom Panel Assy	1
7	**	**	**	**	Face Weldment	1
8	106683-01	106683-01	106683-01	106683-01	Firebox Support Leg	2
9	**	**	**	**	Firebox Bottom	1
10	20027	20027	20027	20027	Refractory Retainer	2
11	**	**	**	**	Firebox Surround	1
12	**	**	**	**	Firebox Top Shield	1
13	**	**	**	**	Firebox Top	1
14	106687-01	106687-01	106687-01	106687-01	Damper Can Collar	1
15	**	**	**	**	Insulation Pan	1
16	**	**	**	**	Fireplace Top Insulation	1
17	**	**	**	**	Fireplace Top	1
18	20280	20280	20280	20280	Top Spacer	4
19	**	**	**	**	Fireplace Surround	1
20	24353	24353	24353	24353	Handy Box Assy	2
21	14123	14123	14123	14123	Strain Relief	1
22	21171	21171	21171	21171	Gas Knock-Out Cover	4
23	21379	21379	21379	21379	Gas Conduit	1
24	21380	21380	21380	21380	Gas Conduit	1
25	116024-01	116024-01	116024-01	116024-01	Valve Bracket	1
26	14261	14261	14261	14261	Piezo Ignitor	1
27	14253	14253	14253	14253	Gas Line Flex w/Shut Off	1
28	102568-05	102568-05	102568-06	102568-06	Gas Control Valve	1
29	101330-05	101330-05	101330-05	101330-05	Front Burner Assembly	1
29-1	101008-01	101008-01	101008-01	101008-01	Crossover Burner Bracket	1
29-2	101007-01	101007-01	101007-01	101007-01	Crossover Burner	1
30	109824-02	109824-02	109824-02	109824-02	Rear Burner Assembly	1
31	**	**	**	**	Grate Assembly	1
32	115401-01	115401-01	115401-01	115401-01	Base Pan	1
33	108138-01	108138-01	108138-01	108138-01	Saddle Bracket	2
34	M11084-38	M11084-38	M11084-38	M11084-38	Screw	4
35	101004-11	101004-11	101004-01	101004-01	Rear Burner Injector	1
36	101004-08	101004-08	101004-02	101004-02	Front Burner Injector	1
37	116009-01	116009-01	116009-01	116004-01	Outlet Burner Tube	1
38	M11084-26	M11084-26	M11084-26	M11084-26	Screw	4
39	103042-01	103042-01	099059-02	099059-02	ODS Pilot	1
40	098271-01	098271-01	098271-01	098271-01	Ignitor Cable	1
41	098249-01	098249-01	098249-01	098249-01	Nut	8
42	098276-01	098276-01	098276-01	098276-01	1/8" NPT Hex Head Plug	1
43	098508-01	098508-01	098508-01	098508-01	Valve Retainer Nut	1
44	098534-01	098534-01	098534-01	098534-01	Control Knob	1
45	098867-09	098867-09	098867-10	098867-10	Regulator	1
46	099387-05	099387-05	099387-05	099387-05	Pilot Tube	1
47	116059-01	116059-01	116059-01	116059-01	Inlet Tube	1
48	See page 42	See page 42	See page 42	See page 42	Left Refractory	1
49	See page 42	See page 42	See page 42	See page 42	Right Refractory	1
50	See page 42	See page 42	See page 42	See page 42	Rear Refractory	1
51	See page 42	See page 42	See page 42	See page 42	Bottom Refractory	1
52	111817-04	111817-04	111817-04	111817-04	Flexible Dormont T6-21 3/8	1
53	115998-01	115998-01	115998-01	115998-01	3/8" Compression Union	1
PARTS AVAILABLE NOT SHOWN						
	100563-01	100563-01	100563-01	100563-01	Warning Label	1
	103877-01	103877-01	103877-01	103877-01	Lighting Instruction Plate	1
	100639-01	100639-01	100639-01	100639-01	Caution Decal	1
	GA6060	GA6060	GA6060	GA6060	Lava Rock	1

\*\* Part shown is not field replaceable.

# ILLUSTRATED PARTS BREAKDOWN

## REMOTE-READY MODELS

L36ZNR, L36LZNR, L36ZPR, L36LZPR, L42ZNR, L42LZNR, L42ZPR, L42LZPR, VL36ZNR, VL36LZNR, VL36ZPR, VL36LZPR, VL42ZNR, VL42LZNR, VL42ZPR AND VL42LZPR





## PARTS LIST

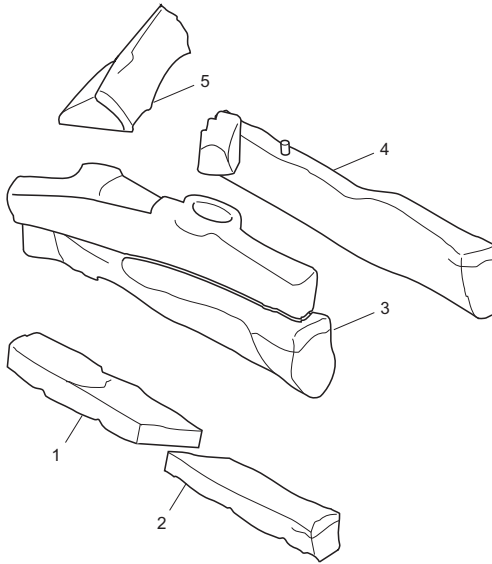
This list contains replaceable parts used in your firebox. When ordering parts, follow the instructions listed under *Replacement Parts* on page 34 of this manual.

KEY NO.	PART NUMBER		DESCRIPTION	QTY.
	(V)L36ZNR/PR (V)L36LZNR/PR	(V)L42ZNR/PR (V)L42LZNR/PR		
1	12116	12116	Screen	2
2	106691-01	106691-01	Screen Rod	2
3	11418	11418	Push-On Nut	2
4	107944-01	107944-01	Deflector Hood	1
5	115312-01	115312-03	Top Rolled Louver Panel	1
6	115313-01	115313-03	Bottom Rolled Louver Panel	1
7	**	**	Face Weldment	1
8	106683-01	106683-01	Firebox Support Leg	2
9	**	**	Firebox Bottom	1
10	20027	20027	Refractory Retainer	2
11	**	**	Firebox Surround	1
12	**	**	Firebox Top Shield	1
13	**	**	Firebox Top	1
14	106687-01	106687-01	Damper Can Collar	1
15	**	**	Insulation Pan	1
16	**	**	Fireplace Top Insulation	1
17	**	**	Fireplace Top	1
18	20280	20280	Top Spacer	4
19	**	**	Fireplace Surround	1
20	24353	24353	Handy Box Assy	2
21	14123	14123	Strain Relief	1
22	21171	21171	Gas Knock-Out Cover	4
23	21379	21379	Gas Conduit	1
24	21380	21380	Gas Conduit	1
25	107741-04	107741-04	Valve Bracket	1
26	14261	14261	Piezo Ignitor	1
27	14253	14253	Gas Line Flex w/Shut Off	1
28	103781-01	103781-01	Gas Control Valve (NG)	1
	103781-02	103781-02	Gas Control Valve (LP)	1
29	108005-01	108005-01	Wire Harness	1
30	108005-02	108005-02	Wire Harness	1
31	112465-02	112465-02	Front Ramp Burner	1
32	113242-02	113242-03	Rear Ramo Burner	1
33	**	**	Grate Assembly	1
34	M11084-26	M11084-26	Screw	12
35	099918-02	099918-02	Pilot Regulator (NG Only)	1
36	099387-12	099387-12	Pilot Tube (NG)	1
	099387-14	099387-14	Pilot Tube (NG)	1
	099387-03	099387-03	Pilot Tube (LP)	1
37	101004-08	101004-08	Front Burner Injector (NG)	1
	101004-06	101004-06	Front Burner Injector (LP)	1
38	101004-04	101004-04	Rear Burner Injector (NG)	1
	101004-02	101004-02	Rear Burner Injector (LP)	1
39	112708-01	112708-01	Burner Tube	1
40	098264-02	098264-02	Male Fitting	1
41	098271-01	098271-01	Ignitor Cable	1
42	103779-01	103779-01	ODS Pilot (NG)	1
	103778-01	103778-01	ODS Pilot (LP)	1
43	098249-01	098249-01	Nut	2
44	103587-01	103587-01	Switch Plate	1
45	14579	14579	Switch	1
46	See Page 43	See Page 43	Left Refractory	1
47	See Page 43	See Page 43	Right Refractory	1
48	See Page 43	See Page 43	Rear Refractory	1
49	See Page 43	See Page 43	Bottom Refractory	1
50	112782-02	112782-02	Air Deflector Bracket	1
51	112713-03	112713-03	Pilot Bracket	1
<b>PARTS AVAILABLE NOT SHOWN</b>				
	100563-01	100563-01	Warning Label	1
	103877-01	103877-01	Lighting Instruction Plate	1
	100639-01	100639-01	Caution Decal	1
	GA6060	GA6060	Lava Rock	1

\*\* Part shown is not field replaceable.

# ILLUSTRATED PARTS BREAKDOWN AND PARTS LIST

LOG SETS FOR MODELS L36EN, L36LEN, L36EP, L36LEP, VL36EN, VL36LEN, VL36EP AND VL36LEP

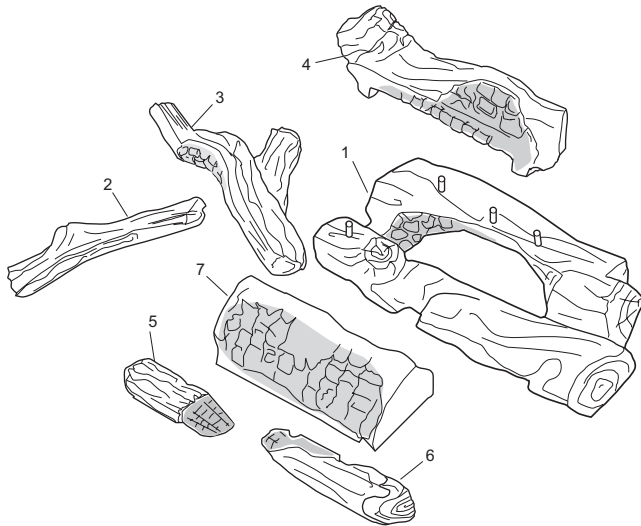


KEY NO.	LOG PART NUMBERS	DESCRIPTION	QTY
1	110314-01	Front Left Log	1
2	110314-02	Front Right Log	1
3	110314-03	Middle Log	1
4	110314-04	Rear Log	1
5	110314-05	Crossover Log	1

KEY NO.	REFRACTORY PART NUMBERS FROM PAGE 39				DESCRIPTION	QTY.
	L36EN L36EP	L36LEN L36LEP	VL36EN VL36EP	VL36LEN VL36LEP		
48	106658-02	106658-02	106658-01	106658-01	Left Refractory	1
49	106659-02	106659-02	106659-01	106659-01	Right Refractory	1
50	106660-02	106660-02	106660-01	106660-01	Rear Refractory	1
51	114999-02	114999-02	114999-01	114999-01	Bottom Refractory	1

# ILLUSTRATED PARTS BREAKDOWN AND PARTS LIST

LOG SETS FOR MODELS L36ZNR, L36LZNR, L36ZPR, L36LZPR, VL36ZNR, VL36LZNR, VL36ZPR, VL36LZPR, L42ZNR, L42LZNR, L42ZPR, L42LZPR, VL42ZNR, L42LZNR, VL42ZPR AND VL42LZPR



KEY NO.	LOG PART NUMBERS		DESCRIPTION	QTY
	(V)L36 MODELS	(V)L42 MODELS		
1	114984-01	114984-08	Middle Log	1
2	114984-02	114984-09	Left Top Log	1
3	114984-03	114984-10	Right Top Log	1
4	114984-04	114984-11	Rear Log	1
5	114984-05	114984-05	Left Control Cover Log	1
6	114984-06	114984-06	Right Control Cover Log	1
7	114984-07	114984-07	Ember Bed	1

KEY NO.	REFRACTORY PART NUMBERS FROM PAGE 41				DESCRIPTION	QTY.
	L36ZNR/PR L36LZNR/PR	VL36ZNR/PR VL36LZNR/PR	L42ZNR/PR L42LZNR/PR	VL42ZNR/PR VL42LZNR/PR		
46	106658-02	106658-01	107812-02	107812-01	Left Refractory	1
47	106659-02	106659-01	107814-02	107814-01	Right Refractory	1
48	106660-02	106660-01	107816-02	107816-01	Rear Refractory	1
49	114999-02	114999-01	115263-02	115263-01	Bottom Refractory	1

# WARRANTY INFORMATION

## KEEP THIS WARRANTY

Model _____
Serial No. _____
Date Purchased _____

Always specify model and serial numbers when communicating with the factory.

We reserve the right to amend these specifications at any time without notice. The only warranty applicable is our standard written warranty. We make no other warranty, expressed or implied.

### LIMITED WARRANTY VENT-FREE FIREPLACE

DESA warrants this product to be free from defects in materials and components for four (4) years from the date of first purchase, provided that the product has been properly installed, operated and maintained in accordance with all applicable instructions. To make a claim under this warranty the Bill of Sale or cancelled check must be presented.

This warranty is extended only to the original retail purchaser. This warranty covers the cost of part(s) required to restore this heater to proper operating condition and an allowance for labor when provided by a DESA Authorized Service Center. Warranty part(s) MUST be obtained through authorized dealers of this product and/or DESA who will provide original factory replacement parts. Failure to use original factory replacement parts voids this warranty. The heater MUST be installed by a qualified installer in accordance with all local codes and instructions furnished with the unit.

This warranty does not apply to parts that are not in original condition because of normal wear and tear or parts that fail or become damaged as a result of misuse, accidents, lack of proper maintenance or defects caused by improper installation. As with all concrete liners, this liner may develop slight cracks when exposed to heat. This cracking is considered normal. Travel, diagnostic cost, labor, transportation and any and all such other costs related to repairing a defective heater will be the responsibility of the owner.

TO THE FULL EXTENT ALLOWED BY THE LAW OF THE JURISDICTION THAT GOVERNS THE SALE OF THE PRODUCT; THIS EXPRESS WARRANTY EXCLUDES ANY AND ALL OTHER EXPRESSED WARRANTIES AND LIMITS THE DURATION OF ANY AND ALL IMPLIED WARRANTIES, INCLUDING WARRANTIES OF MERCHANTABILITY AND FITNESS FOR A PARTICULAR PURPOSE TO FOUR (4) YEARS ON ALL COMPONENTS FROM THE DATE OF FIRST PURCHASE; AND DESA'S LIABILITY IS HEREBY LIMITED TO THE PURCHASE PRICE OF THE PRODUCT AND DESA SHALL NOT BE LIABLE FOR ANY OTHER DAMAGES WHATSOEVER INCLUDING INDIRECT, INCIDENTAL OR CONSEQUENTIAL DAMAGES.

Some states do not allow a limitation on how long an implied warranty lasts or an exclusion or limitation of incidental or consequential damages, so the above limitation on implied warranties or exclusion or limitation on damages may not apply to you.

This warranty gives you specific legal rights and you may also have other rights that vary from state to state.

For information about this warranty write:



2701 Industrial Drive  
P.O. Box 90004  
Bowling Green, KY 42102-9004  
[www.desatech.com](http://www.desatech.com)



115254 01  
NOT A UPC

115254-01  
Rev. A  
11/04

## Free Manuals Download Website

<http://myh66.com>

<http://usermanuals.us>

<http://www.somanuals.com>

<http://www.4manuals.cc>

<http://www.manual-lib.com>

<http://www.404manual.com>

<http://www.luxmanual.com>

<http://aubethermostatmanual.com>

Golf course search by state

<http://golfingnear.com>

Email search by domain

<http://emailbydomain.com>

Auto manuals search

<http://auto.somanuals.com>

TV manuals search

<http://tv.somanuals.com>