

DEWALT Industrial Tool Company, P.O. Box 158, 626 Hanover Pike, Hampstead, MD 21074

Printed in Italy (MAY96-1)

Form No. 154716

Copyright © 1996

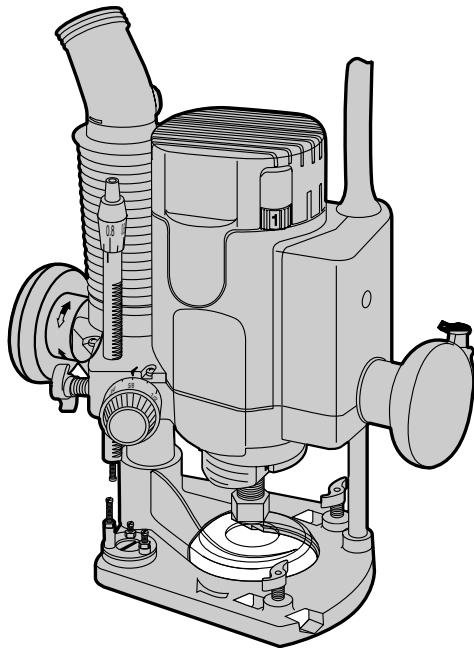
**INSTRUCTION MANUAL
GUIDE D'UTILISATION
MANUAL DE INSTRUCCIONES**

INSTRUCTIVO DE OPERACIÓN, CENTROS DE SERVICIO Y PÓLIZA DE GARANTÍA. **ADVERTENCIA:** LEASE ESTE INSTRUCTIVO ANTES DE USAR EL PRODUCTO. SI TIENE DUDAS, POR FAVOR LLAME.

DEWALT®

**DW621
Plunge 2 HP Router
Toupie à course plongeante de 2 HP
Rebajadora de columnas de 2 HP**

IF YOU HAVE ANY QUESTIONS OR COMMENTS ABOUT THIS
OR ANY DEWALT TOOL, CALL US TOLL FREE AT:
1-800-4-DEWALT (1-800-433-9258)



General Safety Rules

WARNING! Read and understand all instructions. Failure to follow all instructions listed below may result in electric shock, fire and/or serious personal injury.

SAVE THESE INSTRUCTIONS

WORK AREA

- **Keep your work area clean and well lit.** Cluttered benches and dark areas invite accidents.
- **Do not operate power tools in explosive atmospheres, such as in the presence of flammable liquids, gases, or dust.** Power tools create sparks which may ignite the dust or fumes.
- **Keep bystanders, children, and visitors away while operating a power tool.** Distractions can cause you to lose control.

ELECTRICAL SAFETY

- **Double insulated tools are equipped with a polarized plug (one blade is wider than the other.) This plug will fit in a polarized outlet only one way. If the plug does not fit fully in the outlet, reverse the plug. If it still does not fit, contact a qualified electrician to install a polarized outlet. Do not change the plug in any way.** Double insulation eliminates the need for the three wire grounded power cord and grounded power supply system.
- **Avoid body contact with grounded surfaces such as pipes, radiators, ranges and refrigerators.** There is an increased risk of electric shock if your body is grounded.
- **Don't expose power tools to rain or wet conditions.** Water entering a power tool will increase the risk of electric shock.
- **Do not abuse the cord. Never use the cord to carry the tools or pull the plug from an outlet. Keep cord away from heat, oil, sharp edges or moving parts. Replace damaged cords immediately.** Damaged cords increase the risk of electric shock.
- **When operating a power tool outside, use an outdoor extension cord marked "W-A" or "W."** These cords are rated

for outdoor use and reduce the risk of electric shock. When using an extension cord, be sure to use one heavy enough to carry the current your product will draw. An undersized cord will cause a drop in line voltage resulting in loss of power and overheating. The following table shows the correct size to use depending on cord length and nameplate ampere rating. If in doubt, use the next heavier gage. The smaller the gage number, the heavier the cord.

Volts		Total Length of Cord in Feet			
		0-25	26-50	51-100	101-150
240V		0-50	51-100	101-200	201-300
Ampere Rating		AWG			
More Than	Not more Than				
0	- 6	18	16	16	14
6	- 10	18	16	14	12
10	- 12	16	16	14	12
12	- 16	14	12	Not Recommended	

PERSONAL SAFETY

- **Stay alert, watch what you are doing and use common sense when operating a power tool. Do not use tool while tired or under the influence of drugs, alcohol, or medication.** A moment of inattention while operating power tools may result in serious personal injury.
- **Dress properly. Do not wear loose clothing or jewelry. Contain long hair. Keep your hair, clothing, and gloves away from moving parts.** Loose clothing, jewelry, or long hair can be caught in moving parts.
- **Avoid accidental starting. Be sure switch is off before plugging in.** Carrying tools with your finger on the switch or plugging in tools that have the switch on invites accidents.
- **Remove adjusting keys or switches before turning the tool on.** A wrench or key that is left attached to a rotating part of the tool may result in personal injury.
- **Do not overreach. Keep proper footing and balance at all times.** Proper footing and balance enables better control of the tool in unexpected situations.

- **Use safety equipment. Always wear eye protection.** Dust mask, non-skid safety shoes, hard hat, or hearing protection must be used for appropriate conditions.

TOOL USE AND CARE

- **Use clamps or other practical way to secure and support the workpiece to a stable platform.** Holding the work by hand or against your body is unstable and may lead to a loss of control.
- **Do not force tool. Use the correct tool for your application.** The correct tool will do the job better and safer and the rate for which it is designed.
- **Do not use tool if switch does not turn it on or off.** Any tool that cannot be controlled with the switch is dangerous and must be repaired.
- **Disconnect the plug from the power source before making any adjustments, changing accessories, or storing the tool.** Such preventative safety measures reduce the risk of starting the tool accidentally.
- **Store idle tools out of reach of children and other untrained persons.** Tools are dangerous in the hands of untrained users.
- **Maintain tools with care. Keep cutting tools sharp and clean.** Properly maintained tools, with sharp cutting edges are less likely to bind and are easier to control.
- **Check for misalignment or binding of moving parts, breakage of parts, and any other condition that may affect the tools operation. If damaged, have the tool serviced before using.** Many accidents are caused by poorly maintained tools.
- **Use only accessories that are recommended by the manufacturer for your model.** Accessories that may be suitable for one tool, may become hazardous when used on another tool.

SERVICE

- **Tool service must be performed only by qualified repair personnel.** Service or maintenance performed by unqualified personnel could result in a risk of injury.
- **When servicing a tool, use only identical replacement parts. Follow instructions in the Maintenance section of this manual.** Use of unauthorized parts or failure to follow Maintenance Instructions may create a risk of electric shock or injury.

Additional Safety Rules

- **Hold tool by insulated gripping surfaces when performing an operation where the cutting tool may contact hidden wiring or its own cord.** Contact with a "live" wire will make exposed metal parts of the tool "live" and shock the operator.
- **Keep handles dry, clean, free from oil and grease.** It is recommended to use rubber gloves. This will enable better control of the tool.
- The label on your tool may include the following symbols.
- The label on your tool may include the following symbols.
 - Vvolts
 - Aamperes
 - Hzhertz
 - Wwatts
 - minminutes
 - ~alternating current
 - — —direct current
 - n_0 no load speed
 -Class II Construction
 - .../minrevolutions or reciprocation per minute
 - ⊕earthing terminal
 - ⚠safety alert symbol

Motor

Be sure your power supply agrees with nameplate marking. 120 AC means your tool may be operated only with alternating current and never with direct current. Voltage decrease of more than 10% will cause loss of power and overheating. All tools are factory tested; if this tool does not operate, check the power supply.

Bit Installation and Removal**TURN OFF AND UNPLUG ROUTER**

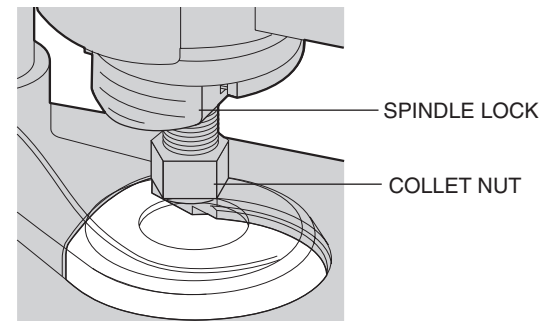
NOTE: Always snap the collet firmly into the collet nut, (past the retainer spring) before installing a bit.

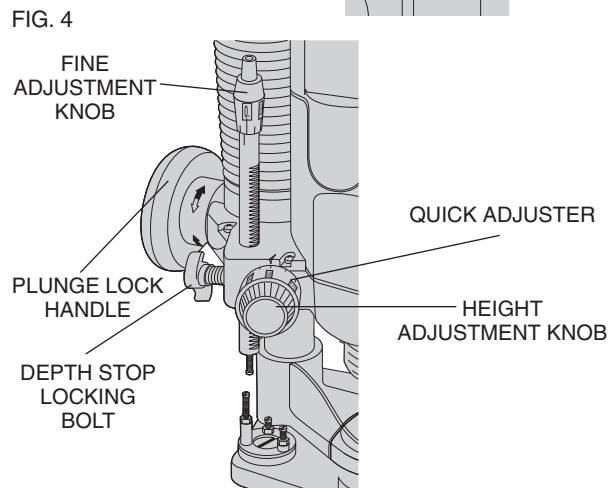
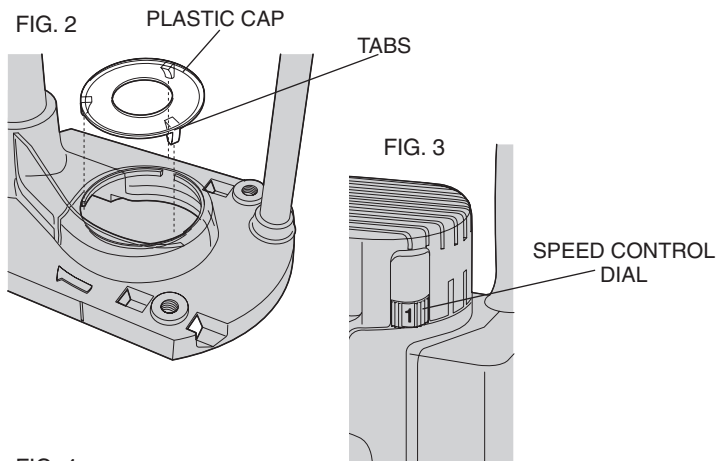
Use the supplied wrench and the spindle lock as necessary to loosen (counterclockwise) the collet nut, (Fig. 1).

Insert the round shank of the desired router bit into the loosened collet as far as it will go and then pull it out about 1/16". Hold the spindle shaft by depressing the spindle lock button, while firmly tightening the collet nut with the wrench provided.

Your router has a unique locking system for retaining the bit. When removing a bit, the collet nut must be loosened with the wrench. The

FIG. 1





collet nut will turn approximately 3/4 of a turn and then become tight again. At this point the bit can't be removed. Using the same procedure, loosen the nut a second time. This lifts the collet and makes it easy to remove the bit.

NOTE: Your router is equipped with a clear plastic cap over the cutting area. This cap assists with dust extraction. When installing a router bit over 1-1/8" in diameter, ensure the plastic cap is removed or positioned above the cutting portion of the bit (Fig. 2). To remove the cap, push it from the bottom of the router. To re-install the cap, align the tabs (Fig. 2) and snap it into place.

Collets

NEVER TIGHTEN THE COLLET ON THIS TOOL WITHOUT FIRST INSTALLING A ROUTER BIT IN IT. TIGHTENING AN EMPTY COLLET CAN DAMAGE THE COLLET.

To change collet sizes, unscrew the collet assembly, as described above. The collet and the collet nut are connected. Do not attempt to remove the collet from the collet nut.

Controls

ELECTRONIC SPEED CONTROL DIAL

The speed of your router is variable. Use the electronic speed control (Fig. 3) dial to produce uniform cutting results in wood, plastics and aluminum. Use the lower settings (1-3) for large diameter cutters and the higher settings for small diameter cutters. See Table A for more information.

Adjusting the Depth of Cut

QUICK ADJUSTMENT USING RACK AND PINION HEIGHT ADJUSTMENT (FIG. 4)

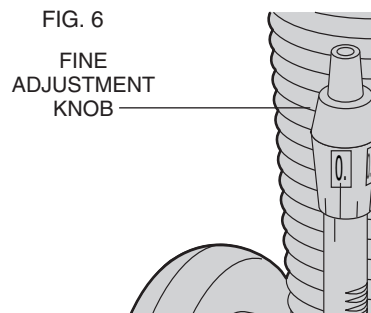
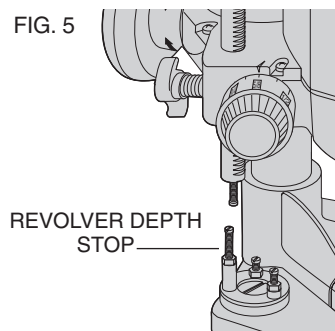
- 1) UNPLUG THE ROUTER. It may be necessary to remove the plastic cap before making adjustments.

- 2) Unlock the plunge lock handle.
- 3) Lower the router carriage until the cutter is in contact with the workpiece
- 4) Tighten the plunge lock handle by turning it clockwise.
- 5) Turn the height adjustment knob counterclockwise until it hits the revolver depth stop (Fig. 5).
- 6) Set the quick adjuster to zero, by turning the inner ring knob clockwise.
- 7) Adjust the depth of cut by rotating the height adjust knob clockwise to the desired depth of cut. The adjustment range is indicated by the arrow.
- 8) Tighten the plunge limiter by turning the depth stop bolt clockwise.

TRIPLE DEPTH ADJUSTMENT USING THE REVOLVER DEPTH STOP (FIG. 5)

The revolver depth stop can be used to set three different depths. This is useful for deep cuts, performed in steps.

- 1) Place a depth template between the depth stop and the revolver depth stop to adjust the exact cutting depth.
- 2) If required, set all three screws.



FINE ADJUSTMENT (FIG. 6)

Use the fine adjuster when not using a depth template, or if the depth of cut needs readjustment.

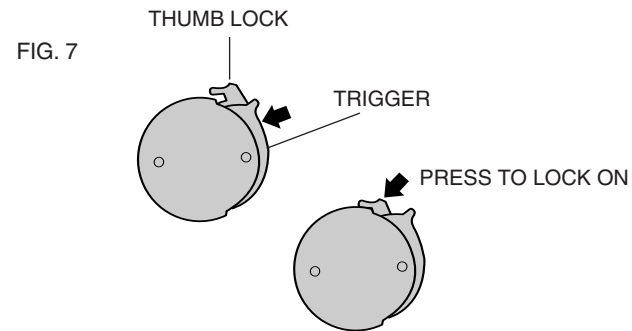
- 1) Adjust the depth of cut as described above.
- 2) Set the fine adjuster to zero using the inner ring. Hold the top portion while setting the lower ring to zero.
- 3) Rotate the fine adjuster to the required position. Graduations are on the top of the fine adjustment knob.

Lock-On/Lock-Off Switch (Fig. 7)

The lock-on/lock-off switch is located in the handle on the right side. The router is normally locked-off.

To start the router, press the thumb lock and squeeze the trigger. To lock the switch on, squeeze the trigger, press the thumb lock forward and release the trigger. To turn the router off, release the switch. If the tool is locked-on, press the trigger again and release the switch.

NOTE: Loosen the plunge limiter and allow the router carriage to return to its rest position before switching off.



Operation

After setting the cutting depth as described, locate the router such that the bit is directly over the place you will be cutting. With the router running, lower the unit smoothly down into the workpiece. (DO NOT JAM THE ROUTER DOWN). When the tool reaches the pre-set depth, tighten the plunge lock. When you have finished routing, loosen the plunge lock and let the spring lift the router directly out of the workpiece.

NOTE: Always feed the router opposite to the direction in which the cutter is rotating.

Direction Of Feed

Figs. 8 and 9 show proper direction of feed for some typical cuts.

Mold the outside edge of a piece of stock by a) mold the end grain, left to right, b) do the straight grain side moving left to right, c) finish the other end grain side, and d) do the remaining straight grain edge.

The direction of feed is important in router usage. Be sure the cutter is rotating into the stock by moving left to right on outside edges and clockwise on inside cuts.

Dust Collection and Extraction

TO SET THE ROUTER FOR DUST EXTRACTION:

1. Unplug router from power supply.
2. If required, insert the dust extraction hose adapter into the dust extraction port (Fig. 10).
2. Slip the end of any standard vacuum cleaner tube into the hose adapter.
3. When using dust extraction, be sure that the vacuum cleaner is out of the way and secure so that it will not tip over or interfere with the router or workpiece. The vacuum hose and power cord must also be positioned so that they don't interfere with the router or

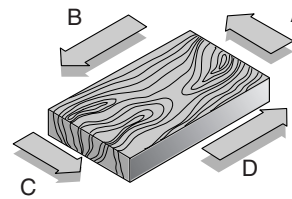


FIG. 8

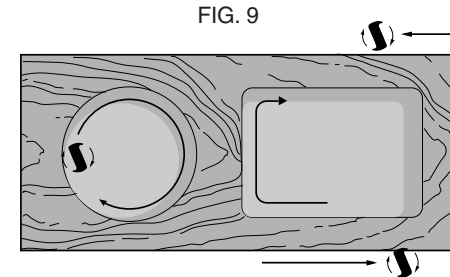


FIG. 9

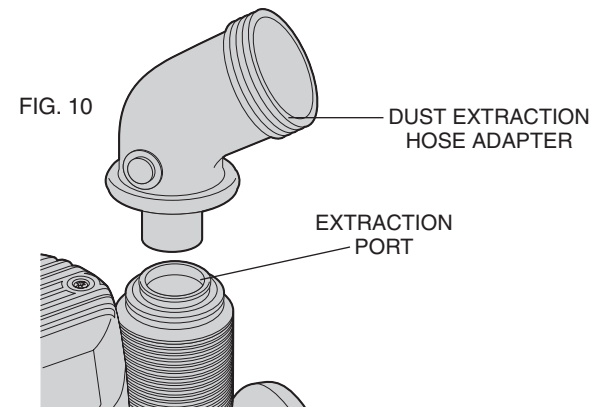


FIG. 10

workpiece. If the vacuum cleaner or vacuum hose cannot be positioned properly, it should be removed.

4. Turn on vacuum cleaner before router.
5. Empty the vacuum cleaner as necessary.

NOTE: The router comes with a clear plastic removable guard over the cutting area. Do not attempt to plunge cut through the plastic guard. The guard is used to assist the dust collection.

Your router includes a dust extraction cap. Be sure it is in place over the dust extraction port if you are not using a vacuum.

Maintenance

CLEANING & LUBRICATION

Use only mild soap and damp cloth to clean the tool. Never let any liquid get inside the tool; never immerse any part of the tool into a liquid.

NOTE: Use only a DRY cloth to wipe the plunge rods. These rods require no lubrication. Lubricants attract dust, reducing the performance of your tool.

Accessories

Use only accessories that are recommended by the manufacturer for your model. Accessories that may be suitable for one tool, may become hazardous when used on another tool. Recommended accessories for use with your tool are available at extra cost from your local dealer or authorized service center. If you need assistance in locating any accessory for your tool, contact:

DeWALT Industrial Tool Company
626 Hanover Pike, P.O. Box 158
Hampstead, MD. 21074-0158
1-800-4-DEWALT (1-800-433-9258)

CAUTION: The use of any other accessory not recommended for use with this tool could be hazardous.

Important

To assure product SAFETY and RELIABILITY, repairs, maintenance and adjustment should be performed by authorized service centers or other qualified service organizations, always using identical replacement parts

Full Warranty

DeWALT heavy duty industrial tools are warranted for one year from date of purchase. We will repair, without charge, any defects due to faulty materials or workmanship. Arrangements have been made with the Industrial Tool Division of Black & Decker to provide warranty repairs for DeWALT tools. Please return the complete unit, transportation prepaid, to any Black & Decker Industrial Service Center or Authorized Service Station listed under "Tools, Electric" in the yellow pages. This warranty does not apply to accessories or damage caused where repairs have been made or attempted by others. This warranty gives you specific legal rights and you may have other rights which vary in certain states or provinces.

In addition to the warranty, DeWalt tools are covered by our:

30 DAY NO RISK SATISFACTION GUARANTEE

If you are not completely satisfied with the performance of your DeWALT heavy duty industrial tool, simply return it to the participating seller within 30 days for a full refund. Please return the complete unit, transportation prepaid. Proof of purchase may be required.



See 'Tools-Electric'
–Yellow Pages–
for Service & Sales

Table A

Your router is equipped with constant speed cutting—as you load the router, the selected cutting speed does not slow down during normal use. The electronic control governs the motor and gives you a consistent finish to your work. Only under very heavy loading will the speed of the unit fall below the governed speed.

To set the router speed (from 8,000 rpm to 24,000 rpm) rotate the speed control wheel shown in Fig. 3. The higher the number the higher the speed. Consult the table below to help select the proper speed for your application.

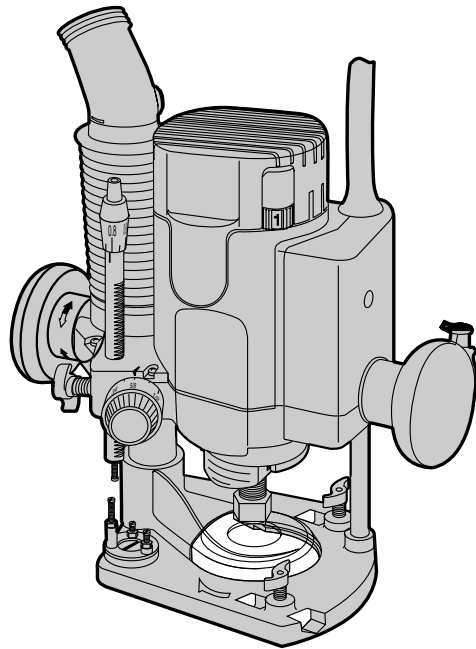
SPEED SELECTION CHART							
Material	Cutter Diam.	Electronic Control Settings					
		Setting 1 8,000 rpm	Setting 2 12,000 rpm	Setting 3 14,000 rpm	Setting 4 18,000 rpm	Setting 5 21,000 rpm	Setting 6 24,000 rpm
Model # DW621							
Hardwood, e.g., oak	Small (1/2")	–	–	O	X	XX	X
	Medium (1/2"-1 1/8")	–	–	O	XX	X	-
	Large (over-1 1/8")	X	XX	O	–	–	-
Softwood, e.g., pine	Small (1/2")	–	–	O	X	XX	XX
	Medium (1/2"-1 1/8")	–	O	X	XX	XX	XX
	Large (over-1 1/8")	X	XX	O	–	–	-
Plastic-laminated chipboard	Small (1/2")	–	–	O	X	XX	XX
	Medium (1/2"-1 1/8")	–	O	X	XX	XX	XX
	Large (over-1 1/8")	O	XX	X	–	–	-
Plastics/ Solid Surface	Small (1/2")	–	O	X	X	XX	XX
	Medium (1/2"-1 1/8")	–	O	XX	XX	X	X
	Large (over-1 1/8")	X	XX	O	–	–	-

This table can serve only as a guide, since wood was a living material. Within the same species of timber hardness and density vary. Speed settings are approximate.

KEY: XX very good X good O Satisfactory – not recommended

POUR TOUT RENSEIGNEMENT SUPPLÉMENTAIRE SUR CET OUTIL OU TOUT AUTRE OUTIL DEWALT, COMPOSER SANS FRAIS LE NUMÉRO :

1 800 4-DEWALT (1 800 433-9258)



RÈGLES DE SÉCURITÉ GÉNÉRALES

AVERTISSEMENT! Vous devez lire et comprendre toutes les instructions. Le non-respect, même partiel, des instructions ci-après entraîne un risque de choc électrique, d'incendie et/ou de blessures graves.

CONSERVEZ CES INSTRUCTIONS.

AIRE DE TRAVAIL

- **Veillez à ce que l'aire de travail soit propre et bien éclairée.** Le désordre et le manque de lumière favorisent les accidents.
- **N'utilisez pas d'outils électriques dans une atmosphère explosive, par exemple en présence de liquides, de gaz ou de poussières inflammables.** Les outils électriques créent des étincelles qui pourraient enflammer les poussières ou les vapeurs.
- **Tenez à distance les curieux, les enfants et les visiteurs pendant que vous travaillez avec un outil électrique.** Ils pourraient vous distraire et vous faire faire une fausse manoeuvre.

SÉCURITÉ ÉLECTRIQUE

- **Les outils à double isolation sont équipés d'une fiche polarisée (une des lames est plus large que l'autre), qui ne peut se brancher que d'une seule façon dans une prise polarisée. Ne modifiez pas la fiche de l'outil.** La double isolation élimine le besoin d'un cordon d'alimentation à trois fils avec mise à la terre ainsi que d'une prise de courant mise à la terre.
- **Évitez tout contact corporel avec des surfaces mises à la terre (tuyauterie, radiateurs, cuisinières, réfrigérateurs, etc.).** Le risque de choc électrique est plus grand si votre corps est en contact avec la terre.
- **N'exposez pas les outils électriques à la pluie ou à l'eau.** La présence d'eau dans un outil électrique augmente le risque de choc électrique.
- **Ne maltraitez pas le cordon. Ne transportez pas l'outil par son cordon et ne débranchez pas la fiche en tirant sur le**

cordon. N'exposez pas le cordon à la chaleur, à des huiles, à des arêtes vives ou à des pièces en mouvement. Remplacez immédiatement un cordon endommagé. Un cordon endommagé augmente le risque de choc électrique.

- **Lorsque vous utilisez un outil électrique à l'extérieur, employez un prolongateur pour l'extérieur marqué «W-A» ou «W».** Ces cordons sont faits pour être utilisés à l'extérieur et réduisent le risque de choc électrique. S'assurer que le cordon de rallonge est en bon état. Lorsqu'on se sert d'un cordon de rallonge, s'assurer qu'il est de calibre approprié pour la tension nécessaire au fonctionnement de l'outil. L'utilisation d'un cordon de calibre inférieur occasionne une baisse de tension entraînant une perte de puissance et la surchauffe. Le tableau suivant indique le calibre approprié selon la longueur du cordon et les mentions de la plaque signalétique de l'outil. En cas de doute, utiliser un cordon de calibre supérieur. Le chiffre indiquant le calibre est inversement proportionnel au calibre du cordon.

Calibre minimal des cordons de rallonge						
Tension		Longueur totale du cordon en pieds				
120 V		0-25	26-50	51-100	101-150	
240 V		0-50	51-100	101-200	201-300	
Intensité (A)		Calibre moyen de fil (AWG)				
Au moins	Au plus					
0	- 6	18	16	16	14	
6	- 10	18	16	14	12	
10	- 12	16	16	14	12	
12	- 16	14	12	Non recommandé		

SÉCURITÉ DES PERSONNES

- **Restez alerte, concentrez-vous sur votre travail et faites preuve de jugement. N'utilisez pas un outil électrique si vous êtes fatigué ou sous l'influence de drogues, d'alcool ou de médicaments.** Un instant d'inattention suffit pour entraîner des blessures graves.
- **Habillez-vous convenablement. Ne portez ni vêtements flottants ni bijoux. Confinez les cheveux longs. N'approchez jamais les cheveux, les vêtements ou les gants des pièces en**

mouvement. Des vêtements flottants, des bijoux ou des cheveux longs risquent d'être happés par des pièces en mouvement.

- **Méfiez-vous d'un démarrage accidentel. Avant de brancher l'outil, assurez-vous que son interrupteur est sur ARRÊT.** Le fait de transporter un outil avec le doigt sur la détente ou de brancher un outil dont l'interrupteur est en position MARCHE peut mener tout droit à un accident.
- **Enlevez les clés de réglage ou de serrage avant de démarrer l'outil.** Une clé laissée dans un pièce tournante de l'outil peut provoquer des blessures.
- **Ne vous penchez pas trop en avant. Maintenez un bon appui et restez en équilibre en tout temps.** Une bonne stabilité vous permet de mieux réagir à une situation inattendue.
- **Utilisez des accessoires de sécurité. Portez toujours des lunettes ou une visière.** Selon les conditions, portez aussi un masque antipoussière, des bottes de sécurité antidérapantes, un casque protecteur et/ou un appareil antibruit.

UTILISATION ET ENTRETIEN DES OUTILS

- **Immobilisez le matériau sur une surface stable au moyen de brides ou de toute autre façon adéquate.** Le fait de tenir la pièce avec la main ou contre votre corps offre une stabilité insuffisante et peut amener un dérapage de l'outil.
- **Ne forcez pas l'outil. Utilisez l'outil approprié à la tâche.** L'outil correct fonctionne mieux et de façon plus sécuritaire. Respectez aussi la vitesse de travail qui lui est propre.
- **N'utilisez pas un outil si son interrupteur est bloqué.** Un outil que vous ne pouvez pas commander par son interrupteur est dangereux et doit être réparé.
- **Débranchez la fiche de l'outil avant d'effectuer un réglage, de changer d'accessoire ou de ranger l'outil.** De telles mesures préventives de sécurité réduisent le risque de démarrage accidentel de l'outil.
- **Rangez les outils hors de la portée des enfants et d'autres personnes inexpérimentées.** Les outils sont dangereux dans les mains d'utilisateurs novices.

- **Prenez soin de bien entretenir les outils. Les outils de coupe doivent être toujours bien affûtés et propres.** Des outils bien entretenus, dont les arêtes sont bien tranchantes, sont moins susceptibles de coincer et plus faciles à diriger.
- **Soyez attentif à tout désalignement ou coincement des pièces en mouvement, à tout bris ou à toute autre condition préjudiciable au bon fonctionnement de l'outil. Si vous constatez qu'un outil est endommagé, faites-le réparer avant de vous en servir.** De nombreux accidents sont causés par des outils en mauvais état.
- **N'utilisez que des accessoires que le fabricant recommande pour votre modèle d'outil.** Certains accessoires peuvent convenir à un outil, mais être dangereux avec autre.

RÉPARATION

- **La réparation des outils électriques doit être confiée à un réparateur qualifié.** L'entretien ou la réparation d'un outil électrique par un amateur peut avoir des conséquences graves.
- **Pour la réparation d'un outil, n'employez que des pièces de rechange d'origine. Suivez les directives données à la section «Réparation» de ce manuel.** L'emploi de pièces non autorisées ou le non-respect des instructions d'entretien peut créer un risque de choc électrique ou de blessures.
- **Tenez l'outil par ses surfaces de prise isolées pendant toute opération où l'outil de coupe pourrait venir en contact avec un câblage dissimulé ou avec son propre cordon.** En cas de contact avec un conducteur sous tension, les pièces métalliques à découvert de l'outil transmettraient un choc électrique à l'utilisateur.

Mesures de sécurité additionnelles

- **Ne le saisir que par ses poignées en plastique afin de se protéger des secousses électriques que provoqueraient le contact de la lame avec un fil sous tension. Lorsqu'on scie dans les murs, les planchers ou tout autre endroit où peuvent se trouver des fils sous**

- tension, ne pas toucher à tout composant métallique de l'outil.**
- **S'assurer que les poignées sont toujours propres, sèches et libres de toute tache d'huile ou de graisse.** Il est recommandé de porter des gants de caoutchouc. On améliore de la sorte la maîtrise de l'outil.
- Les symboles suivants peuvent se trouver sur l'étiquette de l'outil.



Vvolts
Aampères
Hzhertz
Wwatts
minminutes
~courant alternatif
— — — —courant continu
n_0 sous vide
construction de classe II
.../mintours ou courses à la minute
borne de mise à la terre

FIG. 1

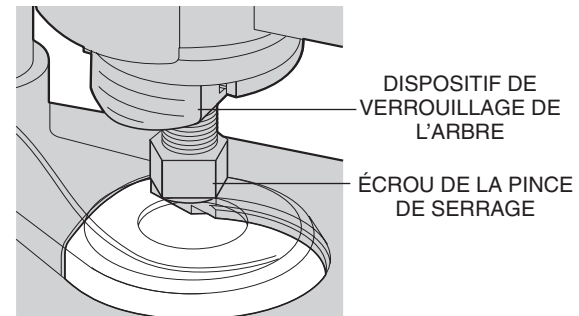


FIG. 2 COUVERCLE EN PLASTIQUE

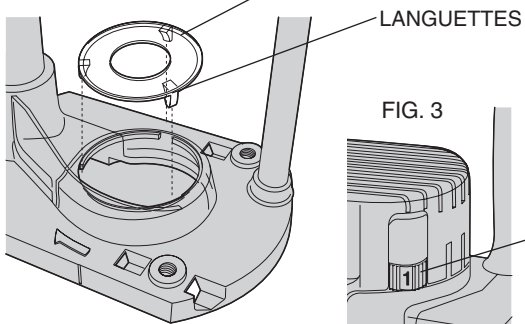


FIG. 3

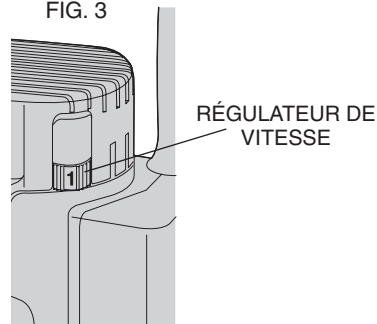
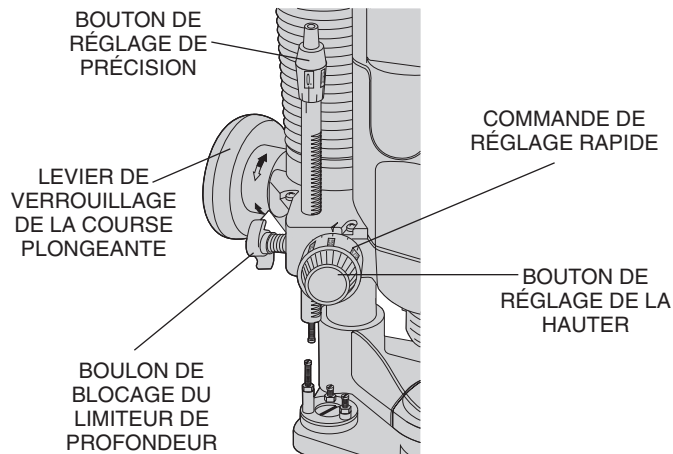


FIG. 4



Moteur

Veiller à ce que la tension d'alimentation soit conforme aux exigences de la plaque signalétique de l'outil.

La mention 120 volts c.a. signifie que l'outil fonctionne seulement sur une alimentation en courant alternatif et jamais en courant continu.

Une baisse de tension de plus de 10 p. 100 entraîne une perte de puissance et la surchauffe. Tous les outils sont essayés avant de quitter l'usine. Lorsque celui-ci refuse de fonctionner, vérifier la source de courant électrique.

Installation et retrait des fraises

METTRE LA TOUPIE HORS TENSION ET LA DÉBRANCHER.

NOTE : Toujours enclencher la pince de serrage fermement dans l'écrou (au-delà du ressort de retenue) avant d'installer une fraise.

Se servir au besoin de la clé fournie et du dispositif de verrouillage pour desserrer (dans le sens antihoraire) l'écrou de la pince de serrage (fig. 1).

Insérer à fond la tige ronde de la fraise voulue dans la pince de serrage, puis la retirer d'environ 1.5 mm (1/16 po). Retenir l'arbre de l'outil en enfonceant le bouton de verrouillage de l'arbre, tout en serrant fermement l'écrou de la pince de serrage avec la clé fournie.

La toupie comporte un système de verrouillage unique afin de retenir la fraise. Lorsqu'on retire cette dernière, il faut desserrer l'écrou de la pince de serrage à l'aide de la clé. L'écrou de la pince de serrage tourne d'environ 3/4 de tour, puis il se resserre. On ne peut alors plus retirer la fraise. Procéder de la même façon et desserrer l'écrou une deuxième fois. On soulève alors la pince de serrage, ce qui facilite le retrait de la fraise.

NOTE : Il y a un couvercle en plastique transparent au-dessus de la zone de coupe de la toupie. Celui-ci facilite le dépoussiérage. Lorsqu'on installe une fraise d'un diamètre de plus de 28 mm (1 1/8 po), s'assurer de retirer au préalable le couvercle ou de placer

ce dernier au-dessus de la section tranchante de la fraise (fig. 2). Pour enlever le couvercle, le pousser hors du dessous de la toupie. Pour le remettre en place, aligner les languettes (fig. 2) et l'enclencher en place.

Pincés de serrage

NE JAMAIS SERRER LA PINCE DE L'OUTIL AVANT D'Y AVOIR INSTALLÉ UNE FRAISE AU PRÉALABLE. LE SERRAGE D'UNE PINCE VIDE RISQUE DE L'ENDOMMAGER.

Lors qu'on installe une fraise de dimension différente, desserrer la pince de la façon décrite précédemment. La pince de serrage et l'écrou sont reliés. Ne pas tenter de retirer la pince de l'écrou.

Commandes

RÉGULATEUR DE VITESSE ÉLECTRONIQUE

La toupie est munie d'un régulateur de vitesse (fig. 3). S'en servir pour couper uniformément le bois, les plastiques et l'aluminium. Se servir des basses vitesses (de 1 à 3) avec les grosses fraises et des vitesses élevées, avec les petites fraises. Consulter le tableau A.

Réglage de la profondeur de coupe

RÉGLAGE RAPIDE À L'AIDE DE LA COMMANDE DE RÉGLAGE DE LA HAUTEUR À PIGNON ET CRÉMAILLÈRE (FIG. 4)

- 1) DÉBRANCHER LA TOUPIE. Il peut être nécessaire de retirer le couvercle en plastique avant de régler la profondeur de coupe.
- 2) Déverrouiller le levier de verrouillage de la course plongeante.
- 3) Abaisser le chariot de la toupie jusqu'à ce que la fraise entre en contact avec la surface à ouvrir.
- 4) Serrer le limiteur de la course plongeante en le faisant tourner dans le sens horaire.
- 5) Faire tourner le bouton de réglage de la hauteur dans le sens

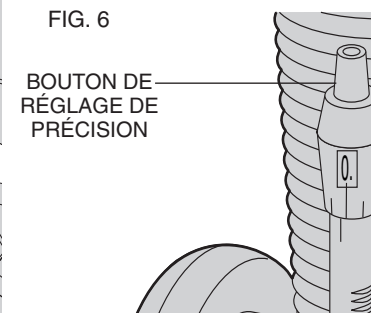
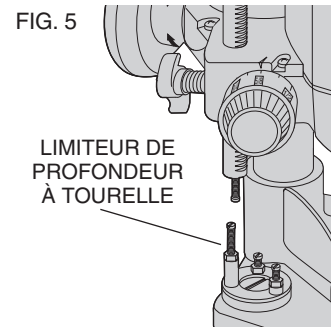
antihoraire jusqu'à ce qu'il frappe le limiteur de profondeur à tourelle (fig. 5).

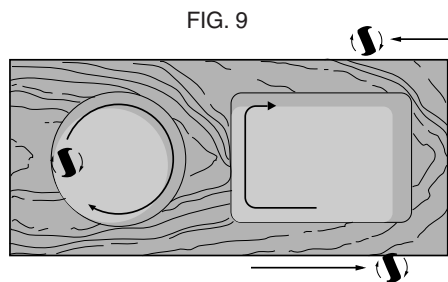
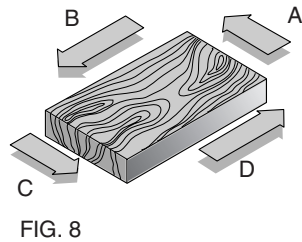
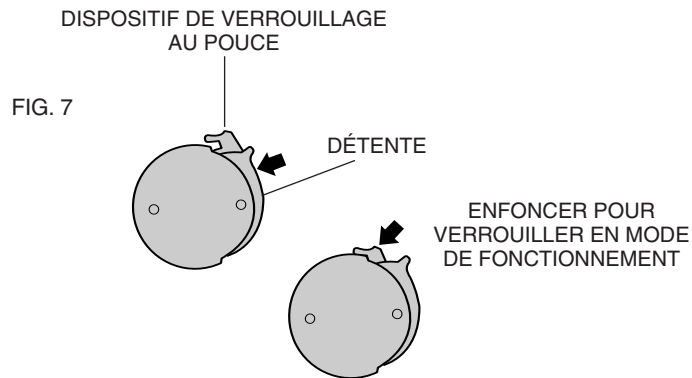
- 6) Régler la commande de réglage rapide à zéro en faisant tourner le bouton à bague intérieure dans le sens horaire.
- 7) Régler la profondeur de coupe en faisant tourner le bouton de réglage de la hauteur dans le sens horaire jusqu'à la profondeur voulue. La flèche indique la plage de réglage.
- 8) Serrer le limiteur de la course plongeante, en faisant tourner dans le sens antihoraire le boulon du limiteur de profondeur.

TRIPLE RÉGLAGE DE LA PROFONDEUR À L'AIDE DU LIMITEUR DE PROFONDEUR À TOURELLE (FIG. 5)

Le limiteur de profondeur à tourelle permet de régler trois profondeurs de coupe différentes. Il s'agit d'une fonction des plus pratiques pour effectuer des coupes profondes en plusieurs étapes.

- 1) Placer un modèle de la profondeur entre le limiteur et le limiteur de profondeur à tourelle afin de régler la profondeur de coupe exacte.
- 2) Le cas échéant, régler les trois vis.





RÉGLAGE DE PRÉCISION (FIG. 6)

Se servir du réglage de précision lorsqu'on n'utilise pas de modèle de profondeur ou lorsqu'il faut régler de nouveau la profondeur de coupe.

- 1) Régler la profondeur de coupe de la manière décrite précédemment.
- 2) Régler la commande de précision à zéro à l'aide de la bague intérieure. Retenir la portion extérieure tout en réglant la portion intérieure à zéro.
- 3) Faire tourner la commande de précision à la position requise. Les calibres se trouvent sur la portion extérieure du bouton de réglage de précision.

Interrupteur verrouillable (fig. 7)

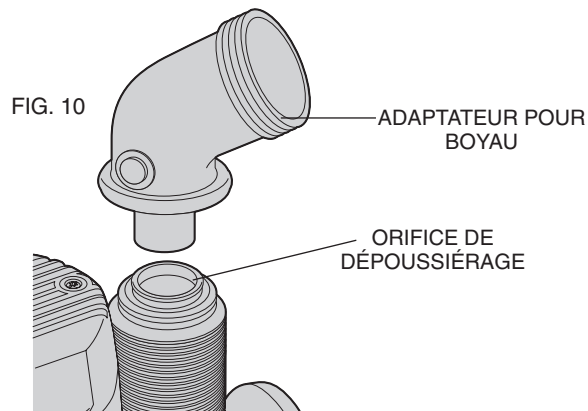
L'interrupteur verrouillable en mode de fonctionnement ou d'arrêt se trouve dans la poignée du côté droit de l'outil. La toupie est normalement verrouillée en position d'arrêt.

Pour actionner la toupie, enfoncer le dispositif de verrouillage au pouce et la détente. Pour verrouiller l'outil en mode de fonctionnement, pousser le dispositif de verrouillage vers l'avant et relâcher la détente. Pour arrêter la toupie, relâcher l'interrupteur. Lorsque l'outil est verrouillé en mode de fonctionnement, appuyer de nouveau sur la détente et relâcher l'interrupteur.

NOTE : Desserrer le limiteur de la course plongeante et attendre que le chariot de la toupie retourne à sa position de repos avant d'arrêter la toupie.

Fonctionnement

Après avoir réglé la profondeur de coupe, placer la toupie de sorte que la fraise se trouve directement au-dessus de la surface à ouvrir. Lorsque la toupie fonctionne, l'abaisser doucement sur la surface. (NE PAS ABAISSER RAPIDEMENT LA TOUPIE.) Lorsque la toupie atteint la profondeur de coupe prédéterminée, serrer le dispositif de verrouillage de la course plongeante. À la fin des travaux, desserrer le



dispositif de verrouillage de la course plongeante et laisser le ressort remonter la toupie directement hors de la pièce.

NOTE : Toujours faire avancer la toupie dans le sens opposé à celui de rotation de la fraise.

Sens d'alimentation

Les figures 8 et 9 montrent le sens approprié d'alimentation pour des coupes typiques.

Ouvrir le rebord extérieur d'une pièce en a) ouvrant le grain du bout de gauche à droite, b) ouvrant le grain droit latéral de gauche à droite, c) en finissant l'autre grain du bout et d) en ouvrant le grain latéral qui reste.

le sens d'alimentation est important lorsqu'on se sert d'une toupie. s'assurer que la fraise tourne dans la pièce en se déplaçant de gauche à droite sur les rebords extérieurs et dans le sens horaire, sur les rebords intérieurs.

Dépoussiérage

PRÉPARATION DE LA TOUPIE POUR LE DÉPOUSSIÉRAGE

1. Débrancher la toupie de la source d'alimentation électrique.
2. Le cas échéant, insérer l'adaptateur pour boyau dans l'orifice de dépoussiérage (fig. 10).
2. Insérer l'extrémité d'un boyau d'aspirateur standard dans l'adaptateur.
3. Lorsqu'on utilise le système de dépoussiérage, s'assurer que l'aspirateur ne nuit pas et qu'il ne présente aucun risque de chute. Il faut également placer le boyau et le cordon de l'aspirateur de sorte qu'ils ne nuisent pas au bon fonctionnement de la toupie. Lorsque l'aspirateur ou le boyau nuisent au bon fonctionnement de la toupie, il vaut mieux ne pas s'en servir.
4. Mettre l'aspirateur en marche avant d'actionner la toupie.
5. Vider l'aspirateur au besoin.

NOTE : La toupie comporte un couvercle amovible en plastique transparent au-dessus de la zone de coupe. Ne pas effectuer de coupe en course plongeante à travers le couvercle. Ce protecteur facilite le dépoussiérage.

La toupie comprend un couvercle pour l'orifice de dépoussiérage. S'assurer qu'il est en place lorsqu'on ne se sert pas de l'orifice.

Accessoires

On peut se procurer les accessoires recommandés chez les détaillants et aux centres de service de la région. Pour trouver un accessoire, communiquer à l'adresse suivante.

DEWALT Industrial Tool Company
626 Hanover Pike, P.O. Box 158
Hampstead, MD. 21074-0158
É.-U.

MISE EN GARDE : L'utilisation de tout accessoire non recommandé peut être dangereuse.

Nettoyage et lubrification

Utiliser seulement du savon doux et un chiffon humide pour nettoyer l'outil. Ne laisser aucun liquide s'infiltrer dans l'outil et ne jamais immerger ce dernier.

NOTE : Utiliser seulement un chiffon SEC pour essuyer les tiges de plongée. Il n'est pas nécessaire de les lubrifier. Les lubrifiants attirent la poussière, ce qui risque de minimiser le rendement de l'outil.

Important

Pour assurer la SÉCURITÉ D'EMPLOI et la FIABILITÉ de l'outil, n'en confier la réparation et les rajustements qu'à un centre de service ou à un atelier d'entretien autorisé n'utilisant que les seules pièces de rechange identiques.

Garantie complète

Les outils industriels de service intensif DeWalt sont garantis pendant un an à partir de la date d'achat. Toute pièce d'un outil DeWalt qui s'avérerait défectueuse en raison d'un vice de matière ou de fabrication sera réparée ou remplacée sans frais. Selon une entente convenue entre DeWalt et Black & Decker Canada Inc., la Division des outils industriels de Black & Decker Canada Inc. s'engage à effectuer les réparations couvertes par la présente garantie. Il suffit de retourner l'outil port payé à l'un des centres de service d'outils industriels Black & Decker ou à tout autre atelier d'entretien d'outils industriels accrédité, inscrits à la rubrique «Outils électriques» des Pages Jaunes. DeWalt n'assume aucune responsabilité pour les avaries dues au mauvais usage, à une manoeuvre négligente, ou aux réparations tentées ou effectuées par des tiers. Les modalités de la présente garantie donnent des droits légaux spécifiques. L'utilisateur peut également se prévaloir d'autres droits selon l'état ou la province qu'il habite.

En outre, les produits DeWalt sont couverts par la garantie suivante.

GARANTIE DE SATISFACTION DE 30 JOURS OU ARGENT REMIS

Si, pour quelque raison que ce soit, l'outil industriel de service intensif DeWalt ne donne pas entière satisfaction, il suffit de le retourner port payé, avec tous les accessoires, dans les 30 jours au vendeur participant. On peut exiger une preuve d'achat pour recevoir un remboursement.

Imported by / Importé par
Black & Decker Canada Inc.
100 Central Ave.
Brockville (Ontario) K6V 5W6

Voir la rubrique "Outils électriques"
des Pages Jaunes
pour le service et les ventes.



tableau A

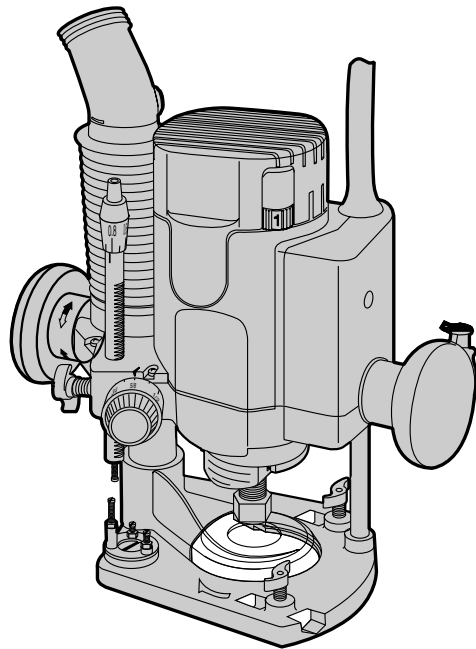
La toupie comporte un régulateur de vitesse. Ainsi, la charge sur la toupie ne ralentit pas la vitesse choisie dans des conditions d'utilisation normales. Le régulateur de vitesse agit sur le moteur afin de procurer un fini uniforme à la surface ouvrée. Seule une charge très lourde ralentira la vitesse de l'outil. Pour régler la vitesse de la toupie (de 8 000 à 24 000 trs/min), faire tourner le régulateur de vitesse illustré à la figure 3. Plus le chiffre choisi est élevé, plus la vitesse l'est. Consulter le tableau plus bas pour déterminer la vitesse appropriée à la tâche.

TABLEAU DE SÉLECTION DES VITESSES							
Material	Diam. (outil de coupe)	Réglages électroniques					
		Réglage 1 8 000 tr/min	Réglage 2 12,000 tr/min	Réglage 3 14,000 tr/min	Réglage 4 18,000 tr/min	Réglage 5 21,000 tr/min	Réglage 6 24,000 tr/min
Model # DW621							
Bois dur (p. ex., le chêne)	Petit*	–	–	O	X	XX	X
	Moyen**	–	–	O	XX	X	-
	Grand***	X	XX	O	–	–	-
Bois mou (p. ex., le pin)	Petit*	–	–	O	X	XX	XX
	Moyen**	–	O	X	XX	XX	XX
	Grand***	X	XX	O	–	–	-
Aggloméré plastifié	Petit*	–	–	O	X	XX	XX
	Moyen**	–	O	X	XX	XX	XX
	Grand***	O	XX	X	–	–	-
Plastique/surface solide	Petit(1/2")	–	O	X	X	XX	XX
	Moyen**	–	O	XX	XX	X	X
	Grand***	X	XX	O	–	–	-

Ce tableau n'est offert qu'à titre indicatif, puisque le bois est une matière vivante. Puisque la dureté et la densité de divers bois de même espèce peut varier, les réglages de vitesses sont approximatifs.

LÉGENDE : XX – très bon; X = bon; O = satisfaisant; - = non recommandé

*Petit : 12,7 mm (1/2 po)
 **Moyen : 12,7 à 3,2 mm (_ à 1-1/8 po)
 ***Grand : plus de 3,2 mm (1-1/8 po)



⚠ Reglas generales de seguridad

¡ADVERTENCIA! Lea y comprenda todas las instrucciones. No hacerlo puede originar riesgos de choque eléctrico, incendio y lesiones personales de gravedad.

CONSERVE ESTAS INSTRUCCIONES

AREA DE TRABAJO

- **Conserve su área de trabajo limpia y bien iluminada.** Las bancas amontonadas y las zonas oscuras propician los accidentes.
- **No opere herramientas eléctricas en atmósferas explosivas, como en presencia de líquidos, gases o polvos inflamables.** Las herramientas eléctricas producen chispas que pueden originar la ignición de los polvos o los vapores.
- **Conserve a observadores, niños y visitantes alejados mientras opera una herramienta eléctrica.** Las distracciones pueden ocasionar que pierda el control.

SEGURIDAD ELECTRICA

- **Las herramientas con doble aislamiento están equipadas con una clavija polarizada (con una pata más ancha que la otra.) Esta clavija se acoplará únicamente en una toma de corriente polarizada de una manera. Si la clavija no se acopla al contacto, inviértala. Si aún así no se ajusta, comuníquese con un electricista calificado para que le instalen una toma de corriente polarizada apropiada.** El doble aislamiento elimina la necesidad de cables con tres hilos y sistemas de alimentación con conexión a tierra.
- **Evite el contacto corporal con superficies aterrizadas tales como tuberías, radiadores, hornos y refrigeradores.** Hay un gran riesgo de choque eléctrico si su cuerpo hace tierra.
- **No exponga las herramientas eléctricas a la lluvia o a condiciones de mucha humedad.** El agua que se introduce en

Español

las herramientas aumenta el riesgo de descargas eléctricas.

- **No maltrate el cable. Nunca tome el cable para transportar una herramienta ni para desconectarla de la toma de corriente. Consérvelo alejado de calor aceite, bordes afilados o piezas móviles. Cambie inmediatamente los cables dañados.** Los cables dañados aumentan el riesgo de choque eléctrico.
- **Cuando opere una herramienta eléctrica a la intemperie, utilice una extensión marcada "W-A" o "W".** Estas extensiones están clasificadas para uso a la intemperie y para reducir el riesgo de choques eléctricos.
- **Cuando utilice una extensión, asegúrese de emplear una con el calibre suficiente para soportar la corriente necesaria para su herramienta.** Una extensión con calibre inadecuado causará una caída en el voltaje de la línea resultando en pérdida de potencia y sobrecalentamiento. La tabla siguiente muestra el calibre correcto para usarse, relativo a la longitud de la extensión y el amperaje mencionado en la placa de identificación. Si tiene dudas, utilice el calibre siguiente. Mientras más pequeño sea el número del calibre, mayor será su capacidad.

Calibre mínimo para cordones de extensión						
Volts		Longitud total del cordón en metros				
120V		0-7,6	7,6-15,2	15,2-30,4	30,4-45,7	
240V		0-15,2	15,2-30,4	30,4-60,9	60,9-91,4	
AMPERAJE				Calibre	del	cordón
Más de	No más de					AWG
0	- 6	18	16	16	14	
6	- 10	18	16	14	12	
10	- 12	16	16	14	12	
12	- 16-	14	12	No recomendado		

SEGURIDAD PERSONAL

- **Esté alerta concéntrese en lo que está haciendo. Recorra al sentido común cuando opere una herramienta eléctrica. No opere ninguna herramienta si se encuentra fatigado o bajo la**

influencia de drogas, alcohol o medicamentos. Un momento de desatención mientras se operan herramientas eléctricas puede ocasionar lesiones graves.

- **Vístase de manera adecuada. No tenga puestas ropas o artículos de joyería flojos. Cubra su cabello si lo tiene largo. Conserve su cabello, sus ropas y guantes alejados de las piezas móviles.** Las piezas de vestir flojas, las joyas y el cabello largo pueden resultar atrapados por las piezas móviles.
- **Evite el encendido accidental. Asegúrese que el interruptor esté en posición de apagado antes de conectar.** Sostener una herramienta con el dedo en el interruptor o conectarla sin fijarse si el interruptor está en posición de encendido propicia los accidentes.
- **Retire las llaves de ajuste antes de encender la herramienta.** Una llave que se deja en una pieza giratoria puede ocasionar lesiones personales.
- **No se sobreextienda. Conserve siempre los pies bien apoyados, al igual que el equilibrio.** La posición correcta de los pies y el equilibrio permiten controlar mejor la herramienta en situaciones inesperadas.
- **Utilice equipo de seguridad. Siempre utilice protección en los ojos.** Se deben utilizar mascarillas contra polvo, zapatos antiderrapantes, casco o protectores para los oídos para tener las condiciones apropiadas.

USO Y CUIDADOS DE LA HERRAMIENTA

- **Conserve los mangos secos, limpios y libres de aceite y grasa.** Es recomendable utilizar guantes de goma, esto le permitirá controlar mejor la herramienta.
- **Utilice prensas u otros medios prácticos para asegurar y apoyar la pieza de trabajo en una plataforma estable.** Sujetar las piezas con la mano o contra su cuerpo es inestable y puede originar la pérdida de control.
- **No utilice la herramienta si el interruptor no enciende y apaga.** Cualquier herramienta que no pueda controlarse por medio del

interruptores peligrosa y debe reemplazarse.

- **Desconecte la clavija de la toma de corriente antes de hacer cualquier ajuste, cambio de accesorios o de guardar la herramienta.** Tales medidas de seguridad preventivas reducirán el riesgo de que la herramienta se encienda accidentalmente.
- **Guarde las herramientas fuera del alcance de los niños y de otras personas no capacitadas.** Las herramientas son peligrosas en manos de personas no capacitadas.
- **Cuide sus herramientas. Conserve las herramientas de corte afiladas y limpias.** Las herramientas que reciben un mantenimiento adecuado, con piezas de corte afiladas, difícilmente se atascan y son más fáciles de controlar.
- **Verifique la alineación de las piezas móviles, busque fracturas en las piezas y cualesquiera otras condiciones que puedan afectar la operación de las herramientas. Si está dañada, lleve su herramienta a servicio antes de usarla de nuevo.** Muchos accidentes se deben a herramientas con mantenimiento pobre.
- **Solamente use accesorios que el fabricante recomiende para su modelo de herramienta.** Los accesorios que estén diseñados para una herramienta, pueden volverse peligrosos cuando se emplean con otra.



SERVICIO

- **El servicio a las herramientas lo debe efectuar únicamente personal calificado.** El servicio o mantenimiento realizado por personal no calificado puede originar riesgos de lesiones.
- **Cuando efectúe servicio a una herramienta, utilice únicamente refacciones idénticas. Siga las instrucciones de la sección de Mantenimiento de este manual.** El empleo de piezas no autorizadas o no seguir las instrucciones de mantenimiento puede originar riesgos de choque eléctrico o lesiones.
- **Tome la herramienta por las superficies aislantes de sujeción cuando realice una operación en que la herramienta de corte pueda hacer contacto con cables ocultos o con su propia**

extensión. El contacto con un cable "vivo" hará que las partes metálicas de la herramienta queden "vivas" y descarguen hacia el operador.

Reglas adicionales de seguridad

- **Sujétela solamente por las superficies aislantes para evitar el choque eléctrico si corta un cable vivo.** Cuando corte en muros, pisos o dondequiera que pueda encontrarse con cables eléctricos vivos, ¡NO TOQUE NINGUNA PARTE METALICA DE LA HERRAMIENTA!
- **Conserve los mangos secos, limpios y libres de aceite y grasa. Se recomienda** emplear guantes de goma. Esto le brindará mayor control sobre la herramienta.
- La etiqueta de su herramienta debe incluir los siguientes símbolos.

Vvolts
Aamperes
Hzhertz
Wwatts
minminutos
~corriente alterna
----corriente directa
n_0velocidad sin carga
construcción Clase II
.../minrevoluciones o reciprocaciones por minuto
terminales de conexión a tierra

Motor

Asegúrese que su alimentación de corriente concuerde con la marcada en la placa de identificación.

120 volts AC, significa que su herramienta está diseñada para operar con corriente alterna, nunca con corriente directa.

Disminuciones en el voltaje mayores al 10% causarán pérdida de

potencia y sobrecalentamiento. Todas las herramientas se prueban en la fábrica. Si esta herramienta no funciona, revise la alimentación de corriente.

Instalación y remoción de cuchillas

APAGUE Y DESCONECTE LA REBAJADORA.

NOTA: Siempre coloque firmemente la boquilla en la tuerca de la boquilla (más allá del resorte de retén) antes de instalar una cuchilla. Utilice la llave suministrada y oprima el botón de seguro de la flecha para aflojar (en sentido contrario a las manecillas del reloj) la tuerca de la boquilla, como se muestra en la figura 1.

Inserte el vástago cilíndrico de la cuchilla que desee tanto como sea posible en la boquilla una vez aflojada, a continuación tire de la cuchilla aproximadamente 1,5 mm (1/16"). Sujete la flecha mientras oprime el seguro al tiempo que aprieta firmemente tuerca de la boquilla con la llave.

Su rebajadora cuenta con un sistema único que le permite asegurarla para retener la cuchilla. Cuando quite una cuchilla, la tuerca de la boquilla debe aflojarse con la llave. La tuerca de la boquilla girará aproximadamente 3/4 de vuelta y se apretará otra

FIG. 1

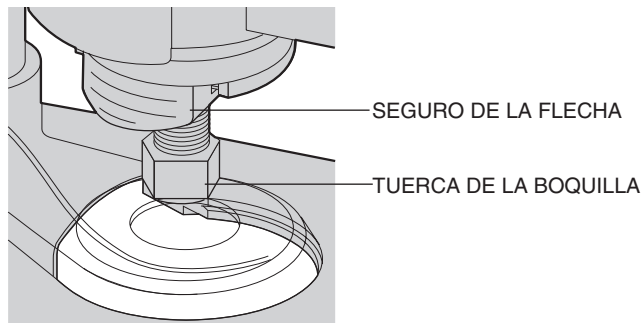


FIG. 2 TAPA DE PLASTICO OREJAS

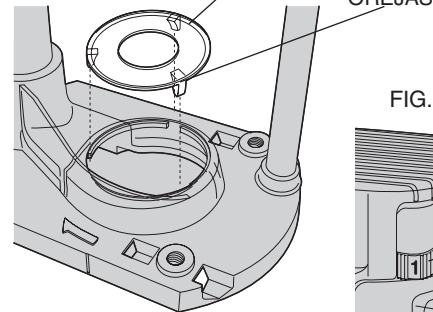


FIG. 3

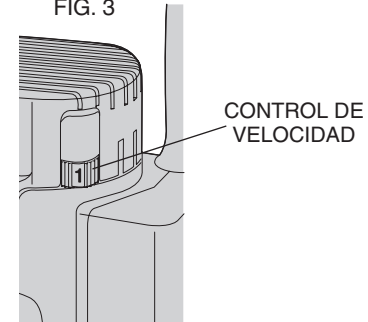


FIG. 4

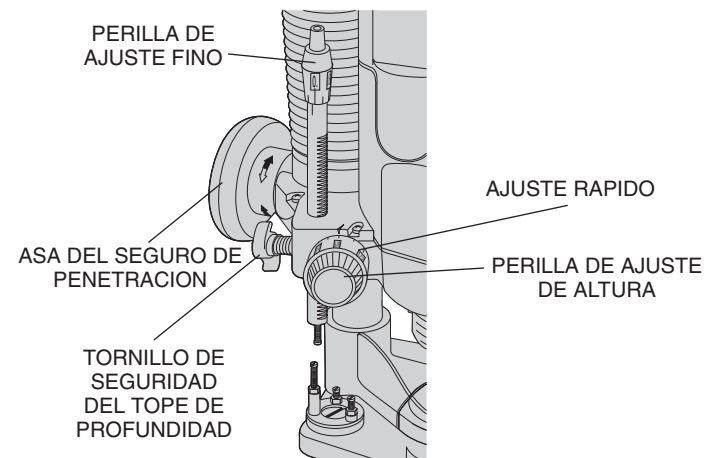


FIG. 5

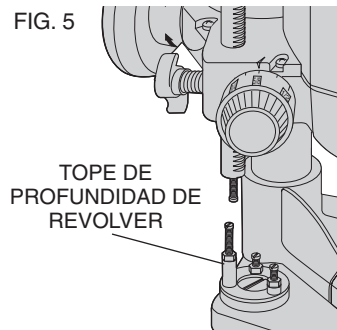
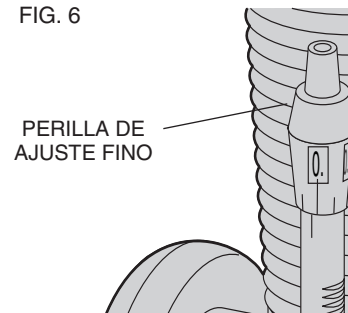


FIG. 6



vez. En este punto la cuchilla no puede removerse. Con el mismo procedimiento, afloje la tuerca por segunda vez. Esto levantará la boquilla y hará muy fácil la remoción de la cuchilla.

NOTA: Su rebajadora está equipada con una tapa de plástico transparente sobre el área de corte. Esta tapa le asiste para la extracción de polvo. Cuando instale una cuchilla de más de 28 mm (1-1/8") de diámetro, asegúrese de quitar la tapa de plástico o colóquela por arriba de la porción afilada de la cuchilla (fig. 2). Para quitar la tapa, empújela desde abajo de la rebajadora. Para instalarla de nuevo, haga coincidir las orejas (fig. 2) y presiónelas en su sitio.

Boquillas

NUNCA APRIETE LA BOQUILLA DE ESTA HERRAMIENTA SIN ANTES HABER INSTALADO UNA CUCHILLA. APRETAR UNA BOQUILLA VACIA PUEDE DAÑARLA

Para cambiar tamaños de boquilla, destornille el montaje de la boquilla, como se describió anteriormente. La boquilla y la tuerca de la boquilla están conectadas. No intente separar la boquilla de la tuerca.

Controles

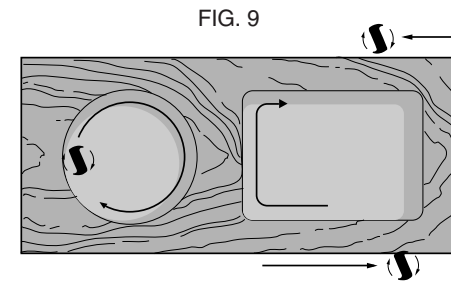
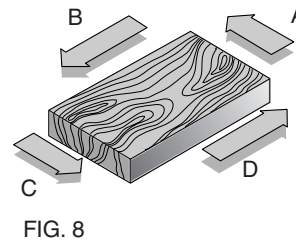
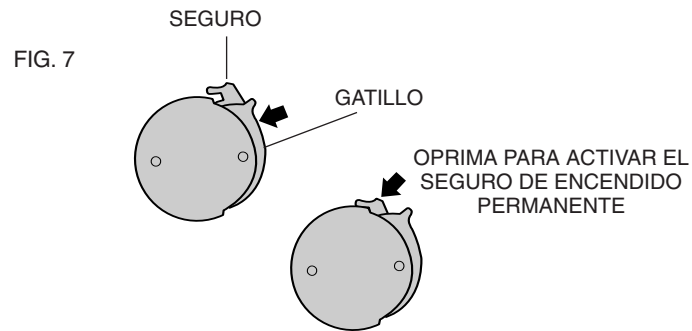
CONTROL ELECTRONICO DE VELOCIDAD

Su rebajadora tiene velocidad variable. utilice el control electrónico de velocidad (fig. 3) para producir cortes uniformes en madera, plásticos y aluminio. Utilice las posiciones bajas (1-3) para cuchillas de diámetros grandes y las posiciones altas para cuchillas de diámetro pequeño. Consulte el cuadro A para obtener mayor información.

Ajuste de la profundidad de corte

AJUSTE RAPIDO UTILIZANDO EL AJUSTE DE ALTURA DE PIÑÓN Y CREMALLERA (FIG. 4)

- 1) DESCONECTE LA REBAJADORA. Puede ser necesario quitar la tapa de plástico antes de hacer ajustes.
- 2) Quite el seguro del mango de penetración
- 3) Baje el carro de la rebajadora hasta que la cuchilla haga contacto con la pieza de trabajo.
- 4) Apriete el limitador de penetración girándolo en sentido a las manecillas del reloj.
- 5) Gire la perilla de ajuste de altura en sentido contrario a las manecillas del reloj hasta que haga contacto con el tope de profundidad de revólver (fig. 5).
- 6) Coloque el ajuste rápido en cero, girando la perilla del aro interior en el sentido de las manecillas del reloj.
- 7) Ajuste la profundidad de corte girando la perilla de ajuste de altura en el sentido de las manecillas del reloj hasta que obtenga la profundidad deseada. El rango de ajuste se indica con la flecha.
- 8) Apriete el limitador de penetración girando el tornillo del tope de profundidad en el sentido de las manecillas del reloj.



AJUSTE TRIPLE DE PROFUNDIDAD CON EL TOPE DE PROFUNDIDAD DE REVÓLVER (FIG. 5)

El tope de profundidad de revólver se puede emplear para ajustar tres profundidades diferentes, realizando los pasos.

- 1) Coloque una plantilla entre el tope de profundidad y el tope de profundidad de revólver para ajustar la profundidad de corte exacta.
- 2) En caso que se requiera, ajuste los tres tornillos.

AJUSTE FINO (FIG. 6)

Utilice el ajuste fino cuando no emplee una plantilla de profundidad, o si necesita reajustar la profundidad de corte.

- 1) Ajuste la profundidad de corte como se describió anteriormente.
- 2) Coloque el ajuste fino en cero con el aro interior. sujete la porción superior mientras coloca el aro interior en cero.
- 3) Gire el ajuste fino a la posición requerida. Las graduaciones están en la parte superior de la perilla de ajuste fino.



Interruptor con seguro de encendido/seguro de apagado (Fig. 7)

El interruptor con seguro de encendido/seguro de apagado se encuentra en el mango hacia el lado derecho. La rebajadora normalmente se encuentra con el seguro de apagado activado.

Para encender la rebajadora, presione el botón con el pulgar y oprima el gatillo. Para asegurar la herramienta en posición de encendido, oprima el gatillo, presione el botón hacia adelante y suelte el gatillo. Para apagar la rebajadora, libere el interruptor. Si la herramienta se encuentra asegurada en posición de encendido, oprima de nuevo el gatillo y suelte el interruptor.

NOTA: Afloje el limitador de penetración y permita que el carro de la rebajadora regrese a su posición de descanso antes de apagar el interruptor.

Operación

Después de fijar la profundidad de corte como se describió, coloque la rebajadora de modo que la cuchilla quede exactamente arriba del sitio en que desea cortar. Con la rebajadora en funcionamiento, baje lentamente la unidad hacia la pieza de trabajo. (NO ATORE LA REBAJADORA ABAJO.) Cuando la herramienta alcance la profundidad preseleccionada, apriete el seguro de penetración. Cuando haya terminado de rebajar, afloje el seguro de penetración y permita que el resorte levante la rebajadora directamente hacia afuera de la pieza de trabajo.

NOTA: Siempre alimente la rebajadora en dirección opuesta al movimiento de rotación de la cuchilla.

Dirección de alimentación

Las figuras 8 y 9 muestran la dirección de alimentación apropiada para algunos tipos de corte básicos.

Recorte el borde exterior de una pieza de desperdicio de la siguiente

manera: (a), rebaje un extremo a contrahilo, de izquierda a derecha, (b) recorte al hilo de izquierda a derecha; (c) rebaje el extremo contrario a contra hilo, y (d) rebaje el lado restante al hilo.

El sentido de alimentación es muy importante en el manejo de las rebajadoras. Asegúrese que la cuchilla esté girando en contacto con la pieza moviendo de izquierda a derecha en los bordes exteriores y en el sentido de las manecillas del reloj en el caso de cortes interiores.

Recolección y extracción de polvo

PARA AJUSTAR LA REBAJADORA PARA EXTRACCION DE POLVO:

1. Desconecte la rebajadora de la toma de corriente.
2. Si se requiere, inserte el adaptador de manguera para extracción de polvo en el puerto de extracción de polvo (fig. 10).
3. Deslice el extremo de cualquier tubo de aspiradora estándar en el adaptador para manguera.
4. Cuando utilice la extracción de polvo, asegúrese que la aspiradora esté fuera del camino y que usted no tropezará con ella ni interferirá con la rebajadora o la pieza de trabajo. La manguera de la aspiradora y el cable eléctrico deben colocarse de manera que igual no interfieran. Si la aspiradora o la manguera no se pueden colocar correctamente, deben retirarse.
5. Encienda la aspiradora antes que la rebajadora.
6. Vacíe la aspiradora con la frecuencia necesaria.

NOTA: la rebajadora viene con una guarda de plástico transparente desmontable sobre la zona de corte. No intente cortar a través de la guarda de plástico. Es útil para la recolección de polvo.

Su rebajadora incluye una tapa para extracción de polvo. Asegúrese que esté colocada sobre el puerto de extracción de polvo si no utiliza una aspiradora.

Accesorios

Dispone usted de los accesorios recomendados para su herramienta con cargo adicional con su distribuidor local o en los centros de servicio autorizado. Si necesita usted ayuda para encontrar algún accesorio, haga por favor contacto con:

DeWalt Industrial Tool Company
626 Hanover Pike, P.O. Box 158
Hampstead, MD 21074-0158

PRECAUCION: El uso de cualquier accesorio no recomendado para emplearse con esta herramienta puede ser peligroso.

Limpieza y lubricación

Utilice únicamente jabón suave y un trapo húmedo para limpiar la herramienta. Nunca permita que ningún líquido se introduzca en la herramienta; nunca sumerja ninguna parte de la herramienta en ningún líquido.

NOTA: Utilice únicamente un trapo SECO para limpiar las columnas. Estas columnas no requieren lubricación. los lubricantes atraen polvo, afectando el funcionamiento de su herramienta.

Importante

Para garantizar la SEGURIDAD y la CONFIABILIDAD del producto, las reparaciones, el mantenimiento y los ajustes deberán ser realizados en los centros de servicio autorizado u otras organizaciones calificadas de servicio, que empleen siempre refacciones idénticas.

Garantía Completa

Las herramientas industriales DeWalt están garantizadas durante un año a partir de la fecha de compra. Repararemos, sin cargos, cualquier falla debida a material o mano de obra defectuosos. Hemos hecho arreglos con la División de Herramientas Industriales de Black & Decker para que hagan las reparaciones en garantía a las herramientas DeWalt. Por favor regrese la unidad completa, con el transporte pagado, a cualquier Centro de Servicio para Herramientas Industriales de Black & Decker o a las estaciones de servicio autorizado enlistadas bajo "Herramientas Eléctricas" en la Sección Amarilla. Esta garantía no se aplica a los accesorios ni a daños causados por reparaciones efectuadas por terceras personas. Esta garantía le otorga derechos legales específicos, y usted puede tener otros derechos que pueden variar de estado a estado.

En adición a la garantía, las herramientas DeWalt están amparadas por nuestra:

GARANTIA DE SATISFACCION SIN RIESGO POR 30 DIAS

Si usted no se encuentra completamente satisfecho con el desempeño de su herramienta industrial DeWalt, sencillamente devuélvala a los vendedores participantes durante los primeros 30 días después de la fecha de compra para que le efectúen un reembolso completo. Por favor regrese la unidad completa, con el transporte pagado. Se puede requerir prueba de compra.

Para servicio y ventas consulte
"HERRAMIENTAS ELECTRICAS"
en la sección amarilla.



IMPORTADOR: BLACK & DECKER S.A. DE C.V.
BOSQUES DE RADIATAS NO. 42
BOSQUES DE LAS LOMAS, 05120 MEXICO,
D.F.
TEL 326-7100

Table A

Su rebajadora está equipada con velocidad de corte constante, al aumentar la carga, la velocidad seleccionada no disminuye bajo condiciones normales de uso. El control electrónico gobierna al motor y le proporciona un acabado consistente para su trabajo. Solamente bajo cargas muy pesadas la velocidad de la unidad puede disminuir.

Para ajustar la velocidad de la rebajadora (de 8,000 rpm a 24,000 rpm) gire la perilla de control de velocidad mostrado en la figura 3. Mientras mayor sea el número, mayor será la velocidad. Consulte la tabla que sigue para ayudarse a seleccionar la velocidad apropiada para su aplicación.

TABLA DE SELECCIÓN DE VELOCIDADES							
Material	Diámetro de cuchilla	Ajuste de control electrónico					
		Posición 1 8 000 rpm	Posición 2 12,000 rpm	Posición 3 14,000 rpm	Posición 4 18,000 rpm	Posición 5 21,000 rpm	Posición 6 24,000 rpm
Modelo # DW621							
Madera dura, pe. encino	Pequeña (1/2")	–	–	O	X	XX	X
	Mediana (1/2"-11/8")	–	–	O	XX	X	-
	Grande (más de 1 1/8")	X	XX	O	–	–	-
Madera suave, pe. pino	Pequeña (1/2")	–	–	O	X	XX	XX
	Mediana (1/2"-11/8")	–	O	X	XX	XX	XX
	Grande (más de 1 1/8")	X	XX	O	–	–	-
Aglomerado c/laminado plástico	Pequeña (1/2")	–	–	O	X	XX	XX
	Mediana (1/2"-11/8")	–	O	X	XX	XX	XX
	Grande (más de 1 1/8")	O	XX	X	–	–	-
Plástico/superficie sólida	Pequeña (1/2")	–	O	X	X	XX	XX
	Mediana (1/2"-11/8")	–	O	XX	XX	X	X
	Grande (más de 1 1/8")	X	XX	O	–	–	-

Este vector puede servir solamente como guía, puesto que la madera era un material vivo. Dentro de la misma especie de la dureza y de la densidad de la madera varíe. Las configuraciones de la velocidad son aproximadas.

Llave : XX – muy bueno; X = bon; O = satisfactorio; - =No recomendado

Español

Free Manuals Download Website

<http://myh66.com>

<http://usermanuals.us>

<http://www.somanuals.com>

<http://www.4manuals.cc>

<http://www.manual-lib.com>

<http://www.404manual.com>

<http://www.luxmanual.com>

<http://aubethermostatmanual.com>

Golf course search by state

<http://golfingnear.com>

Email search by domain

<http://emailbydomain.com>

Auto manuals search

<http://auto.somanuals.com>

TV manuals search

<http://tv.somanuals.com>