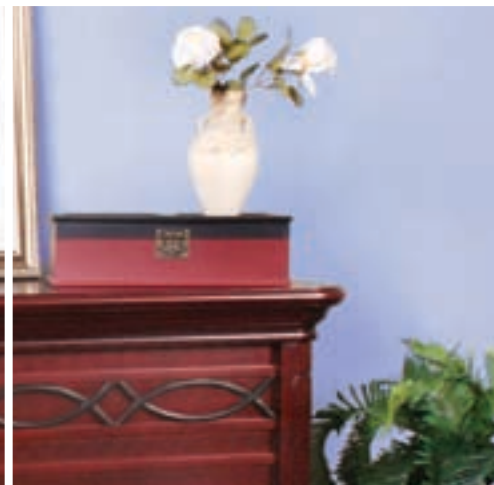
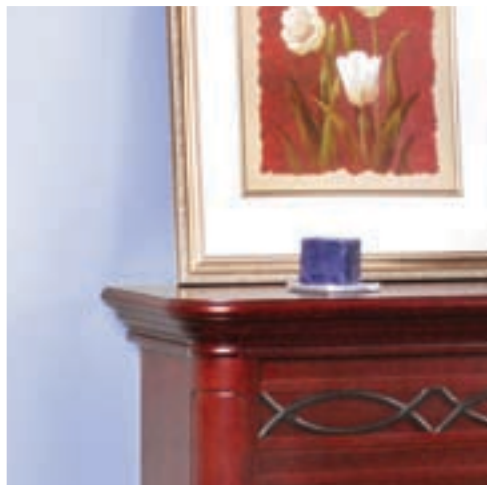


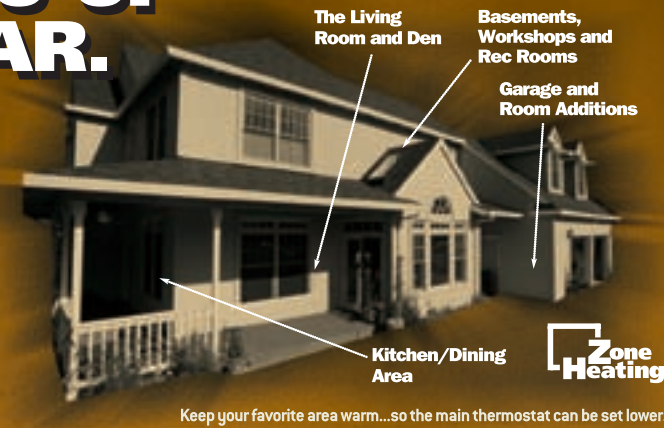


**Vent-Free  
Gas &  
Electric  
Hearth**

*Comfort Glow*



# ZONE HEATING CAN SAVE YOU UP TO \$312 A YEAR.

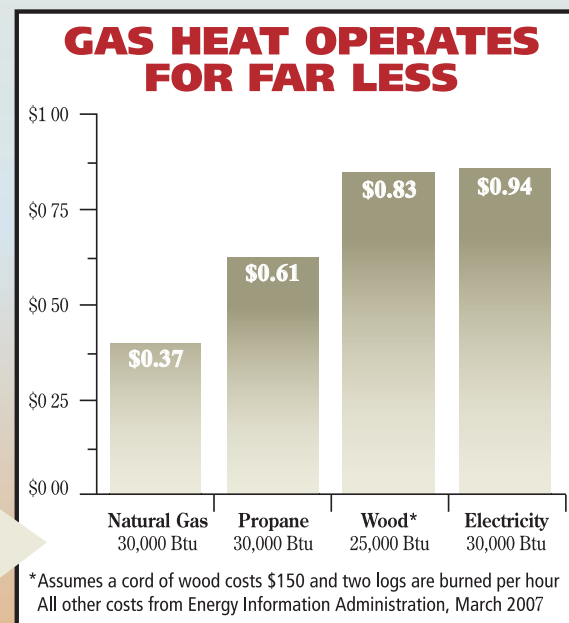


Keep your favorite area warm...so the main thermostat can be set lower.

By providing extra heat to a “zone”—family room, dining room, den or other area—you can set your main thermostat lower, producing remarkable energy savings.

With zone heating, you save 3% on your energy bill for every 1°-thermostat set-back. That's 15% for every 5°! Your savings can total \$312\* annually.

\* Cost savings based on a 5° thermostat set-back. Calculations established on average natural gas/propane heating costs published by U.S. Department of Energy.

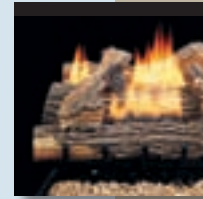


**GAS IS STILL A BETTER VALUE THAN WOOD OR ELECTRICITY!**



## Electric Fireplaces and Stoves 4

Ideal for any season, new LED flame. Approved for use in any room of the home. Easy operation - Great value - Unparalleled beauty.



## Vent-Free Gas Logs 6

Beauty of wood fire - without the work. No mess from ashes. 99% heating efficiency.



## Vent-Free Fireboxes 9

Easily installed. Choose your favorite gas logs.



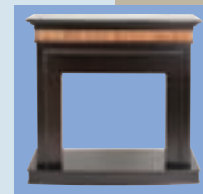
## Mini & Compact Vent-Free Fireplaces 12

Space saving heater that can be installed virtually anywhere. Easily and inexpensively installed. Provides 3 times more heat than vented gas logs or wood.



## 32" Full-Size Vent-Free Fireplace Systems 14

Easily installed, ready-made combination of gas logs and firebox. 99% heating efficiency.



## Accessories 16

Choose among our beautiful selection of cabinet mantels to frame your electric or gas fireplace.



## Vent-Free Gas Stoves 21

Heat wherever you want it. Traditional appearance. Fine craftsmanship and design.

## Fireplace Planning Guide 22

*Comfort Glow*  
**Electric Fireplaces**  
 New LED Patented Flame!



CGEF26B Shown with W26LC Mantel

**26" Compact Electric**

- Convenient embedded remote storage
- Top LED control panel to quickly view settings
- Back light highlights the logs, barks and ember bed beauty
- Brick liners for increased realism

**Hassle free installation, operation and maintenance!**

- Plug and play
- Easy to carry handles
- No bulbs to replace
- Remote allows independent adjustment of heat, flames and ember bed with four settings each: high, medium, low or off



CGEF23B Shown with W21AOS MANTEL

**23" Mini Electric**

- Fits anywhere !

- Random flame appearance
- Undulating glowing ember bed
- Natural looking logs
- Energy efficient: Less energy spent in LED lights, more devoted to heat
- 5,000 BTUs
- Elegant design: Looks great whether it's on or off
- U.S. Patent no. 7,219,456



CGEF32D Shown with W32MF Mantel

*Comfort Glow*  
**Electric Fireplaces**  
 New LED patented flame!

**32" Electric**

- Convenient embedded remote storage
- Top LED control panel to quickly view settings
- Back light highlights the logs, barks and ember bed beauty
- Brick liners for increased realism

**Electric Stoves**  
**Easy and Inexpensive to Install**

An electric stove will enhance your decor and provide an economical way to reduce the expensive operating cost of central heating.



CGESS



CGESBMRA

MINI ELECTRIC FIREPLACE	MODEL #	SIZE	DESCRIPTION	BTU OUTPUT	SHIPPING WEIGHT
	CGEF23B	23"	Mini Electric Fireplace with Heater, LED Flame, Glass Front, and Remote Control	5,000	38 lbs.
COMPACT ELECTRIC FIREPLACE	CGEF26B	26"	Compact Electric Fireplace with Heater, LED Flame, Glass Front, and Remote Control	5,000	60 lbs.
32" FULL-SIZE ELECTRIC FIREPLACE	CGEF32D	32"	Electric Fireplace with Heater, LED Flame, Glass Front, and Remote Control	5,000	90 lbs.

\* For cabinet mantels and other accessories, see F-18 – F-20. For product dimensions, please see F-22, F-23.

ELECTRIC STOVES	MODEL #	DESCRIPTION	BTU OUTPUT	SHIPPING WEIGHT
	CGESBMRA	Electric Stove, Black, Glass Door, Heater On/Off, Heat Adjustment, Remote Control Included	5,000	55 lbs.
	CGESS	Small Electric Stove, Grey, Heater On/Off	5,000	32.5 lbs.

*Comfort Glow*

## Vent-Free Gas Log Heaters

### A Size And Control For Every Need...

**Variable Manually**

**Controlled Models –**

Allow the user to choose any heat setting and flame height they desire by simply turning a control knob.

**Thermostatically**

**Controlled Models –**

The heat output and flame height modulate automatically from high to low settings, or pilot in order to maintain a consistent room temperature.

**Hand-Held Remote**

**Control Ready Models –**

Optional on/off and thermostatic control kits available.



### River Canyon Oak

- Three full size logs with accents
- The innovative dual slanted burner system that offers a superior glowing ember bed and dancing yellow flames.
- Three light-weight fiber ceramic logs feature realistic wood texture.
- “Auto-light” push button ignition
- Includes thermostatic remote control

### Heat For Pennies An Hour

Clean Burning Design Allows You To Operate The Logs Vent-Free With The Fireplace Damper Closed.

Versatile installation options install in any masonry, UL listed solid fuel burning fireplace or universal vent-free firebox certified by CSA/AGA or UL.

MINIMUM FIREBOX SIZES			FRONT WIDTH		REAR WIDTH AT 13" DEPTH	
LOG SIZE	HEIGHT	DEPTH	GLOW MODELS	YELLOW FLAME MODELS	GLOW MODELS	YELLOW FLAME MODELS
18"	17"	13"	20"	24"	14"	20"
24"	17"	13"	26"	28"	18"	21"
30"	17"	13"	32"	34"	22"	24"

*Comfort Glow*

## Vent-Free Gas Log Heaters



### White Mountain Oak

Features state-of-the-art “Turn-Down Control.” No other vent-free gas log looks this good... and lets you stay cozy! You can lower heat output to 10,000 Btu so the room never overheats.

The White Mountain Oak log features a triple burner design and is packed with powerful performance including a unique 75% heat turn-down and independent burner control with multiple heat settings. This realistic three-dimensional log look features random dancing yellow flame pattern, beautiful glowing ember bed and a decorative cast iron grate.



### Biltmore Split Oak

- Full size logs with accents
- Dual burner provides dancing yellow flames, even at the lowest settings
- Concrete logs feature deep bark texture and realistic split areas



### Seasonal Oak

- Four full-size logs with accents
- Single burner provides dancing yellow flames
- 4 unique log arrangements – a look for each season



**PRODUCT SPECIFICATIONS** – Check website (www.ComfortGlowHeat.com) for latest product specifications.

**RIVER CANYON OAK MODELS – SUPER GLOW WITH YELLOW FLAME DESIGN – CERAMIC FIBER LOGS**

LOG SIZE	FUEL TYPE	MODEL #	HEATING SETTING (BTU/HR.)		AVG. LENGTH OF OPERATION W/ 100 LB. PROPANE TANK		HEATING CAPACITY (SQ. FT)	CARTON DIMENSIONS (WxHxD)	SHIPPING WEIGHT
			LOW	HIGH	ON LOW SETTING	ON HIGH SETTING			
24"	Natural Gas	CRB3624NR	25,000	36,000	86+ hrs.	59+ hrs.	1,200	26" x 21 1/4" x 14"	34 lbs.
	Propane/LP Gas	CRB3624PR							

**WHITE MOUNTAIN OAK MODELS – SUPER GLOW DESIGN – CERAMIC FIBER LOGS**

LOG SIZE	FUEL TYPE	MODEL #	HEATING SETTING (BTU/HR.)		AVG. LENGTH OF OPERATION W/ 100 LB. PROPANE TANK		HEATING CAPACITY (SQ. FT)	CARTON DIMENSIONS (WxHxD)	SHIPPING WEIGHT
			LOW	HIGH	ON LOW SETTING	ON HIGH SETTING			
24"	Natural Gas	CSG3924NT	10,000	39,000	216+ hrs.	55+ hrs.	1,300	26" x 22 3/4" x 14"	36 lbs.
	Propane/LP Gas	CSG3924PT							
24"	Natural Gas	CSG3924NR	10,000	39,000	216+ hrs.	55+ hrs.	1,300	26" x 22 3/4" x 14"	36 lbs.
	Propane/LP Gas	CSG3924PR							

**BILTMORE SPLIT OAK MODELS – YELLOW FLAME DESIGN – CONCRETE LOGS**

LOG SIZE	FUEL TYPE	MODEL #	HEATING SETTING (BTU/HR.)		AVG. LENGTH OF OPERATION W/ 100 LB. PROPANE TANK		HEATING CAPACITY (SQ. FT)	CARTON DIMENSIONS (WxHxD)	SHIPPING WEIGHT
			LOW	HIGH	ON LOW SETTING	ON HIGH SETTING			
18"	Natural Gas	CCL3018NTA	16,000	30,000	135+ hrs.	72+ hrs.	1,000	22 1/4" x 21 1/4" x 14"	61 lbs.
	Propane/LP Gas	CCL3018PTA							
24"	Natural Gas	CCL3924NTA	20,000	39,000	108+ hrs.	55+ hrs.	1,300	26" x 21 1/4" x 14"	66 lbs.
	Propane/LP Gas	CCL3924PTA							
24"	Natural Gas	CCL3924NRA	20,000	39,000	108+ hrs.	55+ hrs.	1,300	26" x 21 1/4" x 14"	66 lbs.
	Propane/LP Gas	CCL3924PRA							
30"	Natural Gas	CCL3930NRA	20,000	39,000	108 hrs.	55 hrs.	1,300	30 1/4" x 21 1/4" x 14"	70 lbs.
	Propane/LP Gas	CCL3930PRA							

**SEASONAL OAK MODELS – YELLOW FLAME DESIGN – CONCRETE LOGS**

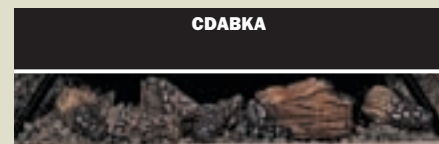
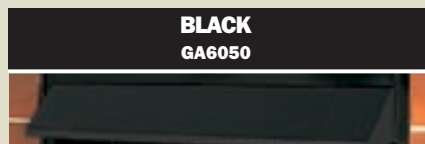
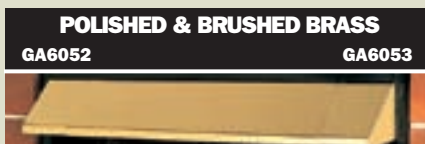
LOG SIZE	FUEL TYPE	MODEL #	HEATING SETTING (BTU/HR.)		AVG. LENGTH OF OPERATION W/ 100 LB. PROPANE TANK		HEATING CAPACITY (SQ. FT)	CARTON DIMENSIONS (WxHxD)	SHIPPING WEIGHT
			LOW	HIGH	ON LOW SETTING	ON HIGH SETTING			
18"	Natural Gas	CRL2718NA	16,000	27,000	135+ hrs.	80+ hrs.	925	22 1/4" x 21 1/4" x 14"	48 lbs.
	Propane/LP Gas	CRL2718PA							
24"	Natural Gas	CRL3124NA	16,000	31,500	135+ hrs.	68+ hrs.	1,050	26" x 21 1/4" x 14"	52 lbs.
	Propane/LP Gas	CRL3124PA							

\* See page 19 for Gas Log Heater Accessories.

**FIREPLACE HOOD ACCESSORIES**

A fireplace hood accessory may be required to deflect heat away from the mantel shelf. Fits fireplace openings from 28" to 48" wide. Installs easily with glass doors or to the lintel of the fireplace opening. Refer to owners manual for more details.

Optional Decorative Ash Bed/Control Cover Kit includes five log pieces featuring realistic bark, split and charred areas plus a matching control cover.



*Comfort Glow*

**32" Vent-Free Fireboxes**

Your vent-free firebox can be placed against a wall by using one of the optional mantels.

**Create Your Own Vent-Free Gas Fireplace**



+



+



=



**Oakridge**

**CGFB32CB**

Shown with custom mantel - not available.

**Easy And Inexpensive to Install**

- No chimney or venting required
- Install against or recess into any wall accessible to a gas line
- As low as 1/3 the cost of wood burning fireplace

† See Page 18 for cabinet mantels

**Great Value... Firebox Features:**

- Full size zero-clearance 32" firebox
- Fiber ceramic brick liner
- Black hood
- Wire mesh fireplace screen
- Vent-free gas logs must be purchased separately



*Comfort Glow*

## 32" Vent-Free Fireboxes

Your vent-free firebox can be placed against a wall by using one of the optional mantels.

### Pair Your Firebox\* With A Comfort Glow Vent-Free Gas Log\*\*

\*All Comfort Glow Fireboxes are approved as Universal Fireboxes and can be paired with any manufacturer's ANSI Z21.11.2 approved vent-free gas log (physical size limitations apply). 36" Fireboxes can be paired with any size Comfort Glow log. The 32" Firebox will accept any 18" or 24" model.

\*\* All Logs Sold Separately.



CGFB32CB



Cumberland

CUVF36C Shown with W36AUA Mantel (Custom Finish) and Biltmore Split Oak Logs (Sold separately)

*Comfort Glow*

## 36" Vent-Free Fireboxes

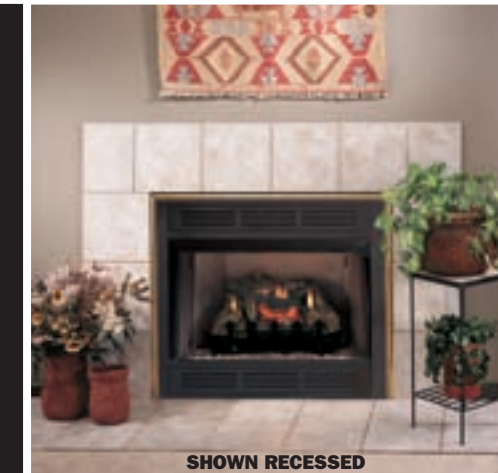
Your vent-free firebox can be placed against a wall by using one of the optional mantels.



CUVF36C

### Great Value... Firebox\* Features:

- Zero-clearance firebox
- Herringbone fireplace brick liner
- Black hood
- Wire mesh fireplace screen
- Optional mantels with brass trim featuring full hearth base available
- Vent-free gas logs must be purchased separately



SHOWN RECESSED

### Upgradeable Louver, Panel and Trim Options

Customize your firebox with black, brushed brass, polished brass, or platinum finished louver, filigree panel and perimeter trim options. Smooth face panel available for custom installation. See Page 19 & 20 for accessories.

\*All Comfort Glow Fireboxes are approved as Universal Fireboxes and can be paired with any manufacturer's ANSI Z21.11.2 approved vent-free gas log (physical size limitations apply). 36" Fireboxes can be paired with any size Comfort Glow vent-free log. The 32" Firebox will accept any 18" or 24" model.

### WHITE MOUNTAIN OAK LOGS



### RIVER CANYON OAK LOGS



### SEASONAL OAK LOGS



### BILTMORE SPLIT OAK



PRODUCT SPECIFICATIONS – Check website (www.ComfortGlowHeat.com) for latest product specifications.

32" FIREBOX = 18" OR 24" LOG	MODEL #	SIZE	DESCRIPTION	SHIP. WEIGHT
	CGFB32CB	32"	Circulating Louvered Firebox includes Black Hood, Red Ceramic Fiber Brick Liner and Wire Mesh Fireplace Screen	63 lbs.
	HFL300	32"	White Brick Liner Accessory	
36" FIREBOX = 24" OR 30" LOG	MODEL #	SIZE	DESCRIPTION	SHIP. WEIGHT
	CUVF36C	36"	Circulating Louvered Firebox includes Black Hood, Herringbone Brick Liner and Floor, Wire Mesh Fireplace Screen, Duplex Outlet	184 lbs.

\* For product dimensions, please see F-23. Please see F-20 for blower accessories.

*Comfort Glow*

## Vent-Free Fireplace Systems

### Includes:

- Zero-clearance firebox
- High efficiency vent-free logs
- 10,000 Btus
- Ideal for bedroom  
(Check local codes)

**Chelsea**



**MINI FIREPLACE SYSTEM**  
CGMFN/CGMFP Shown with W21A0S Mantel

**Brookhill**



**SINGLE COMPACT FIREPLACE SYSTEM**  
CGCFN/CGCFP Shown with GMC61D Mantel

*Comfort Glow*

## Vent-Free Fireplace Systems

### Add a Compact Fireplace System to Your Home Instantly!

- Thermostatically controlled;  
modulates flames and heat  
output automatically
- Provides 3 times more heat than  
vented gas logs or wood



### Easy And Inexpensive to Install

- No chimney or venting required
- Heater may be recessed or paired  
with a cabinet or corner mantel  
and base.

### Easy Economical Heat... Even During Power Outages

- Requires no electricity to operate
- Optional cabinet and corner  
mantels feature a hearth base  
and black trim

**Concord**



**DUAL COMPACT FIREPLACE SYSTEM**  
CDCFNRA/CDCFPRA Shown with W26ME Mantel



### Great Value... System Comes Complete

- Zero-clearance firebox
- High efficiency vent-free logs
- Thermostatic controls modulate  
flames and heat output automatically
- Can be operated with optional  
hand-held remotes
- Optional mantels with black trim  
featuring full hearth base available
- Deeper firebox features larger view-  
ing area with two levels of dancing  
yellow flames

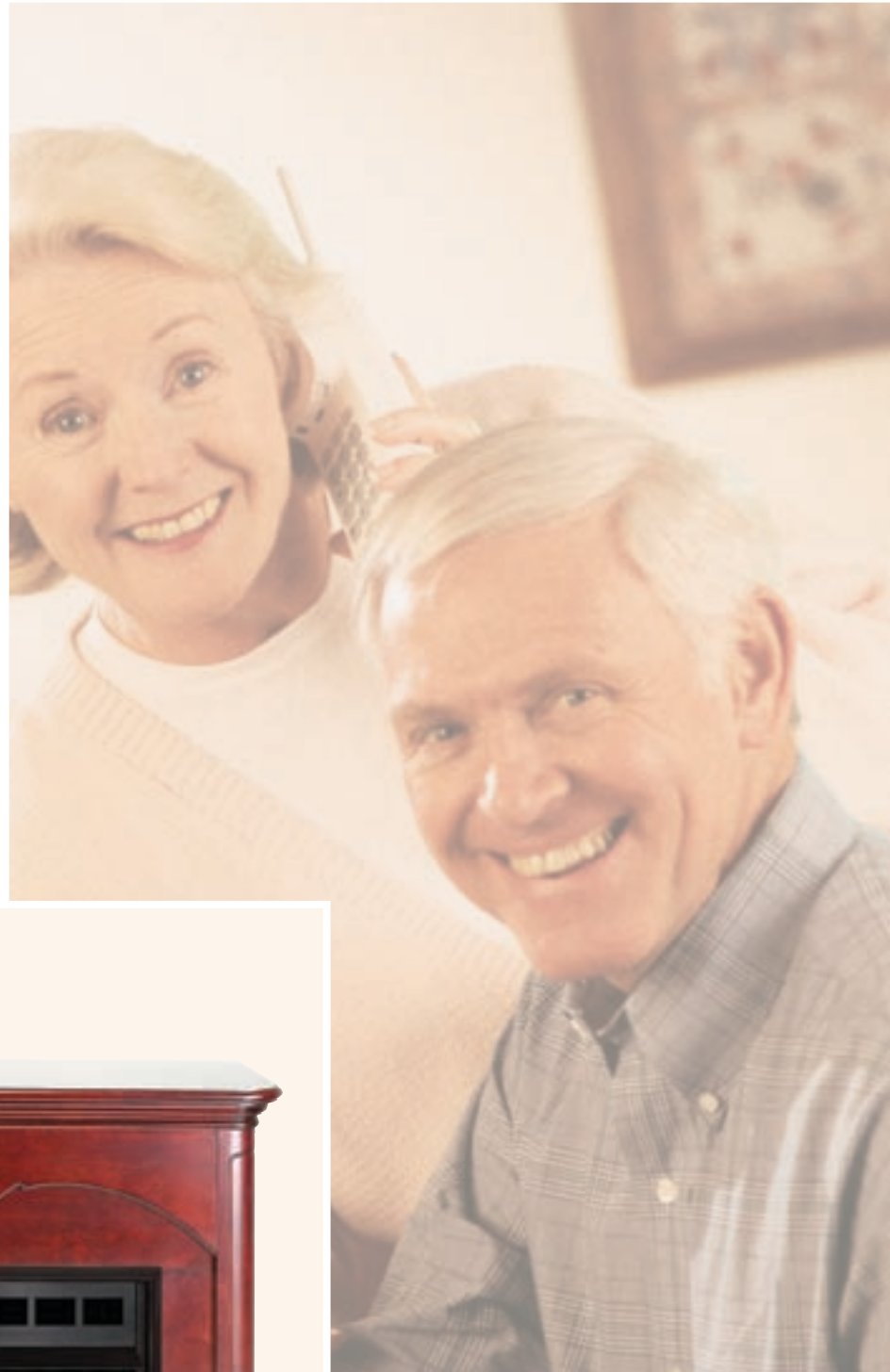
† See PageS 16 to 20 for cabinet mantels

*Comfort Glow*

## Remote Control Vent-Free 32" Gas Fireplace Systems

### Remote Control Fireplace System Includes:

- Zero-clearance firebox
- Vent-free gas logs
- Hand-held thermostatic remote control



### Westerly



**REMOTE CONTROL VENT-FREE FIREPLACE - CGEFP33NRC/CGEFP33PRC Shown with W32CC Mantel**

The remote senses the room temperature and modulates the flame to maintain the room to your comfort level.



**CGCFTN Shown with W26LC Mantel**

*Comfort Glow*

## Vent-Free Fireplace Systems



**PRODUCT SPECIFICATIONS** – Check website ([www.ComfortGlowHeat.com](http://www.ComfortGlowHeat.com)) for latest product specifications.

MODEL #	FUEL TYPE	OPERATION	GAS CONNECTION	HEAT (BTU/HR) LOW TO HIGH	AVG. LENGTH OF OPERATION W/100 LB. PROPANE CYLINDER	PRODUCT DIMENSIONS (WxHxD)	SHIPPING WEIGHT
<b>MINI FIREPLACE SYSTEM</b>							
CGMFN	Natural	Manual	3/8" Female Flare	10,000	N/A	20 1/2" x 23 3/4" x 10 1/2"	35 lbs.
CGMFP	Propane/LP				215+ hrs.		
<b>SINGLE BURNER FIREPLACE SYSTEM</b>							
CGCFTN	Natural	Thermostat	3/8" Female Flare	14,000 to 26,000	N/A	26" x 25 1/2" x 8 1/4"	40 lbs.
CGCFTP	Propane/LP				154+ hrs. on low/83+ hrs. on high		
<b>DUAL BURNER FIREPLACE SYSTEM</b>							
CDCFNRA	Natural	Remote Control Ready	3/8" Female Flare	17,000 to 26,000	N/A	26" x 25 1/2" x 13"	57 lbs.
CDCFPRA	Propane/LP				127+ hrs. on low/83+ hrs. on high		

<b>32" FIREPLACE SYSTEM</b>							
MODEL #	DESCRIPTION	FUEL TYPE	COMFORT SETTING	BTU OUTPUT	GAS CONNECTION	PRODUCT DIMENSIONS (WxHxD)	SHIPPING WEIGHT
CGEFP33NRC	Zero-Clearance Firebox with Yellow Flame Gas Logs	Natural	From Low to High	20,000 to 33,000	3/8" Female Flare	Outside Firebox 34 3/8" x 32 1/4" x 16 1/2"	122 lbs.
CGEFP33PRC	Featuring Pro Flame Thermostatic Remote (included)	Propane/LP					
<b>ACCESSORIES</b>							
Model #	Description					Outside Dimensions (WxHxD)	Shipping Weight
PT32PB	32" Perimeter Trim Kit - Polished Brass					N/A	2 lbs.
PT32	32" Perimeter Trim Kit - Black					N/A	2 lbs.
PT32B	32" Perimeter Trim Kit - Brushed Brass					N/A	2 lbs.
PT32P	32" Perimeter Trim Kit - Platinum					N/A	2 lbs.
G8005	Ceramic Fiber Fireplace Brick Liner Accessory					N/A	6 lbs.
GA3650TB	Blower, Thermostatically Controlled					N/A	5 lbs.
GA3750A	Blower, Variable Speed					N/A	5 lbs.
GA3555	Outlet Kit w/ Cover (For Hard Wiring Blower in Recessed Fireplaces)					N/A	2 lbs.
CCK	Cleaning Kit for Routine Consumer Maintenance					N/A	2 lbs.
CIKA	Gas Appliance Installation Kit					N/A	2 lbs.
LPA6100	Two-Stage LP Regulator with Cover					N/A	2 lbs.

For specifications on all Comfort Glow fireplaces, see the Fireplace Planning Guide, F-22, F-23.



*Comfort Glow*  
**Mantels and Accessories**



MODEL #	SIZE	WALL/CORNER	FINISH
<b>TRADITIONAL</b>			
W21A0S	21"	Wall	Light Oak
C21A0SA	21"	Corner	Light Oak
W21APA	21"	Wall	White
C21APA	21"	Corner	White



MODEL #	SIZE	WALL/CORNER	FINISH
<b>TRADITIONAL</b>			
GMC61D	26" Slim Line	Wall	Espresso
GMC61UD	26" Slim Line	Wall	Unfinished
GMC63D	26" Slim Line	Corner	Espresso
GMC63UD	26" Slim Line	Corner	Unfinished



MODEL #	SIZE	WALL/CORNER	FINISH
<b>TRADITIONAL</b>			
CMA204FA	26"	Wall	Oak
CMA208FB	26"	Corner	Oak
CMA210W	26"	Wall	White



MODEL #	SIZE	WALL/CORNER	FINISH
<b>TRADITIONAL</b>			
CMA306FA	32"	Wall	Oak



MODEL #	SIZE	WALL/CORNER	FINISH
<b>TRADITIONAL</b>			
W32A0SA	32"	Wall	Light Oak
C32A0SA	32"	Corner	Light Oak
C32AUA	32"	Corner	Unfinished
W32AUA	32"	Wall	Unfinished
GMC55FA	36"	Wall	Light Oak
GMC56FA	36"	Corner	Light Oak
W36AUA	36"	Wall	Unfinished
C36AUA	36"	Corner	Unfinished



**HRC201 HRC101**

<b>REMOTE CONTROLS</b>	
MODEL #	DESCRIPTION
HRC101	Receiver and hand held on/off control remote kit for gas log heaters and CDCNRA/CDCPRA dual burner fireplaces
HRC201	Receiver and hand held thermostat control remote kit for gas log heaters and CDCNRA/CDCPRA dual burner fireplaces

**26" Face Kits for Units pg F-15**



**DFK26P1**  
Victorian Design  
Finishes: Platinum (shown),  
Hammered Copper



**DFK26C2**  
Classic Design  
Finishes: Platinum,  
Hammered Copper (shown)

MODEL #	SIZE	WALL/CORNER	FINISH
<b>COTTAGE</b>			
WD26CPA	26"	Wall	White



MODEL #	SIZE	WALL/CORNER	FINISH
<b>GEORGIAN</b>			
GMC80FB	26"	Wall	Light Oak
GMC83FB	26"	Corner	Light Oak
GMC90FA	32"	Wall	Light Oak



MODEL #	SIZE	WALL/CORNER	FINISH
<b>MISSION</b>			
WD26GOSA	26"	Wall	Dark Oak
W32GOSA	32"	Wall	Dark Oak



MODEL #	SIZE	WALL/CORNER	FINISH
<b>CLASSIC</b>			
C32HSA	32"	Corner	Dark Oak



MODEL #	SIZE	WALL/CORNER	FINISH
<b>ARCHED</b>			
CMA310F	32"	Wall	Cherry



MODEL #	SIZE	WALL/CORNER	FINISH
<b>NEO-CLASSICAL</b>			
W32KPA	32"	Wall	White



*Comfort Glow*  
**Mantels and Accessories**

**Perimeter Trim**



**Manual Blowers**



**BK - Variable Speed, Magnetic, Manual Blower**



**BK3 - Variable Speed, Magnetic Manual Control Blower**

*Comfort Glow*

## Mantels and Accessories

### New Designs

- Furniture grade finish
- Easy to assemble
- Best mantels in the industry
- Great Price



### Two Looks To Choose From!

Each Metropolitan mantel includes two easily interchangeable sets of panel reeds: light and dark, to match or contrast the mantel.



*Comfort Glow*

## Mantels and Accessories

**PRODUCT SPECIFICATIONS** – Check website (www.ComfortGlowHeat.com) for latest product specifications.

MODEL #	DESCRIPTION	PRODUCT DIMENSIONS (WXHXD)	SHIPPING WEIGHT
<b>21" MINI MANTELS</b>			
<b>MINI GAS AND MINI 23" ELECTRIC FIREPLACES</b>			
W21APA	21" Wall Mantel, White, Traditional Design	32 7/8" x 35" x 13 1/2"	56 lbs.
C21APA	21" Corner Mantel, White, Traditional Design	32 7/8" x 35" x 23 7/8"	55 lbs.
W21AOS	21" Wall Mantel, Light Oak Stain, Traditional Design	38" x 35" x 16 7/8"	67 lbs.
C21AOSA	21" Corner Mantel, Light Oak Stain, Traditional Design	32 7/8" x 35" x 23 7/8"	55 lbs.
<b>26" COMPACT MANTELS</b>			
<b>SINGLE BURNER AND ELECTRIC COMPACT FIREPLACE ONLY</b>			
GMC61UD	26" Wall Mantel, Unfinished, Traditional Design	47 1/2" x 40" x 16 1/4"	88 lbs.
GMC63UD	26" Corner Mantel, Unfinished, Traditional Design	47 1/8" x 40" x 31 3/4"	87 lbs.
CMA208FB	26" Corner Mantel, Oak Stain, Traditional Design	47 3/8" x 42 3/4" x 29 1/2"	93 lbs.
GMC61D <b>NEW</b>	26" Wall Mantel, Espresso, Slim Line Traditional Design	47 1/2" x 40" x 16 1/4"	88 lbs.
GMC63D <b>NEW</b>	26" Corner Mantel, Espresso, Slim Line Traditional Design	47 1/8" x 40" x 31 3/4"	87 lbs.
WD26CPA	26" Wall Mantel, White, Cottage Design	45 1/2" x 42 1/4" x 19 1/2"	81 lbs.
<b>SINGLE, DUAL BURNER AND ELECTRIC COMPACT FIREPLACE</b>			
CMA204FA	26" Wall Mantel, Oak Stain, Traditional Design	47 1/2" x 42 3/4" x 20 1/4"	95 lbs.
CMA21OW	26" Wall Mantel, White, Traditional Design	47 1/2" x 42 3/4" x 20 1/4"	95 lbs.
GMC80FB	26" Wall Mantel, Light Oak Stain, Georgian Design	50 1/4" x 42" x 22"	119 lbs.
GMC83FB	26" Corner Mantel, Light Oak Stain, Georgian Design	50 1/2" x 42" x 33 1/2"	115 lbs.
WD26GOSA	26" Wall Mantel, Dark Oak Stain, Mission Design	51 1/2" x 40 1/2" x 22 1/4"	102 lbs.
W26LC <b>NEW</b>	26" Wall Mantel, Cherry, Louis Philippe Design	46 1/2" x 42 3/4" x 17 1/4"	102 lbs.
W26ME <b>NEW</b>	26" Wall Mantel, Espresso, Metropolitan Design	45 1/2" x 45 1/2" x 18 1/8"	113 lbs.
<b>32" MANTELS</b>			
W32AUA	32" Wall Mantel, Unfinished, Traditional Design	58 1/2" x 49" x 24 1/2"	185 lbs.
W32AOSA	32" Wall Mantel, Light Oak Stain, Traditional Design	58 1/2" x 49" x 24 1/2"	185 lbs.
C32AUA	32" Corner Mantel, Unfinished, Traditional Design	60 1/8" x 53" x 35 7/8"	165 lbs.
C32AOSA	32" Corner Mantel, Light Oak Stain, Traditional Design	60 1/8" x 53" x 35 7/8"	165 lbs.
CMA310F	32" Wall Mantel, Cherry, Arched Design	57 1/2" x 49" x 24 3/8"	131 lbs.
CMA306FA	32" Wall Mantel, Light Oak Stain, Traditional Design w/ Dentil Molding	55" x 49 3/4" x 25 5/8"	160 lbs.
C32HSA	32" Corner Mantel, Dark Oak Stain, Classic Design	60 3/8" x 53" x 38 1/2"	145 lbs.
W32KPA	32" Wall Mantel, White, Neo-Classical Design	61 7/8" x 55 1/8" x 22 1/4"	185 lbs.
GMC90FA	32" Wall Mantel, Light Oak Stain, Georgian Design	55" x 48 1/2" x 25 1/2"	150 lbs.
W32GOSA	32" Wall Mantel, Dark Oak Stain, Mission Design	62 3/4" x 47 1/4" x 26"	184 lbs.
W32MF <b>NEW</b>	32" Wall Mantel, Fruitwood, Metropolitan Design	54" x 52 1/8" x 20 5/8"	145 lbs.
W32CC <b>NEW</b>	32" Wall Mantel, Cherry, Chateau Design	55 1/4" x 52 1/8" x 19 5/8"	144 lbs.
<b>36" MANTELS</b>			
W36AUA	36" Wall Mantel, Unfinished, Traditional Design	61 1/4" x 56" x 30 1/2"	200 lbs.
GMC55FA	36" Wall Mantel, Light Oak Stain, Traditional Design	61 1/4" x 56" x 30 1/2"	194 lbs.
C36AUA	36" Corner Mantel, Unfinished, Traditional Design	61 1/4" x 56" x 42 1/2"	160 lbs.
GMC56FA	36" Corner Mantel, Light Oak Stain, Traditional Design	61 1/4" x 56" x 42 1/2"	156 lbs.

\* Some Assembly Required \*\* All mantels include a full hearth base and all 26, 32 and 36 inch mantels include a black perimeter trim kit.

*Comfort Glow*

# Mantels and Accessories

**PRODUCT SPECIFICATIONS** – Check website (www.ComfortGlowHeat.com) for latest product specifications.

MODEL #	DESCRIPTION	PRODUCT DIMENSIONS (WXHXD)	SHIPPING WEIGHT
<b>26" COMPACT ACCESSORIES</b>			
<b>SINGLE AND DUAL BURNER ACCESSORIES</b>			
DFK26P1	Compact Face Kit, Platinum Finish, Victorian Design	N/A	5 lbs.
DFK26C1	Compact Face Kit, Hammered Copper Finish, Victorian Design	N/A	5 lbs.
DFK26P2	Compact Face Kit, Platinum Finish, Classic Design	N/A	5 lbs.
DFK26C2	Compact Face Kit, Hammered Copper Finish, Classic Design	N/A	5 lbs.
GA7092	2-Piece Brass Accent Trim*	N/A	2 lbs.
GA6094	3-Piece Firebox Perimeter Brass Trim (Covers Unfinished Edges Around Firebox)	N/A	2 lbs.
GAP6094	3-Piece Firebox Platinum Perimeter Trim (Covers Unfinished Edges Around Firebox)	N/A	2 lbs.
GAB6094	3-Piece Firebox Black Perimeter Trim (Covers Unfinished Edges Around Firebox)	N/A	2 lbs.
GA6095	4-Piece Firebox Perimeter Brass Trim (For Recessed Installations, Covers Unfinished Edges Around Firebox)	N/A	2 lbs.
GA3450TA	Thermostatically Controlled Blower	N/A	2 lbs.
CCK	Cleaning Kit for Routine Consumer Maintenance	N/A	2 lbs.
CIKA	Gas Appliance Installation Kit	N/A	2 lbs.
LPA6100	Two-Stage LP Regulator with Cover	N/A	2 lbs.
<b>DUAL BURNER ACCESSORIES ONLY</b>			
HFL200	Dual Burner Compact Fireplace Brick Liner, Standard Brick Pattern (Aged Almond)	N/A	6.0 lbs.
HFL201	Dual Burner Compact Fireplace Brick Liner, Standard Brick Pattern (Aged Red)	N/A	6.0 lbs.

MODEL #	DESCRIPTION	PRODUCT DIMENSIONS (WXHXD)	SHIPPING WEIGHT
<b>32" ACCESSORIES</b>			
PT32	32" Perimeter Trim Kit - Black	N/A	2 lbs.
PT32B	32" Perimeter Trim Kit - Brushed Black	N/A	2 lbs.
PT32PB	32" Perimeter Trim Kit - Polished Brass	N/A	2 lbs.
PT32P	32" Perimeter Trim Kit - Platinum	N/A	2 lbs.
HFL300	Ceramic Fiber Fireplace Brick Liner Accessory	N/A	6 lbs.
GA3650TB*	Blower, Thermostatically Controlled. * For Westerly Only	N/A	5 lbs.
GA3750A*	Blower, Variable Speed. * For Westerly, Oakridge Only	N/A	5 lbs.
GA3555	Outlet Kit w/ Cover (For Hard Wiring Blower in Recessed Fireplaces)	N/A	1 lb.
CCK	Cleaning Kit for Routine Consumer Maintenance	N/A	2 lbs.
CIKA	Gas Appliance Installation Kit	N/A	2 lbs.
LPA6100	Two-Stage LP Regulator with Cover	N/A	2 lbs.

MODEL #	DESCRIPTION	PRODUCT DIMENSIONS (WXHXD)	SHIPPING WEIGHT
<b>36" ACCESSORIES</b>			
BK	On/Off Manual (Squirrel Cage) Blower	N/A	5 lbs.
BK3	Variable Speed Manual Blower	N/A	5 lbs.
ELK36	36" Premium Extruded Louver Kit, Black	N/A	5 lbs.
ELK36PB	36" Premium Extruded Louver Kit, Polished Brass	N/A	5 lbs.
ELK36B	36" Premium Extruded Louver Kit, Brushed Brass	N/A	5 lbs.
ELK36P	36" Premium Extruded Louver Kit, Platinum	N/A	5 lbs.
FP36	Custom 36" Black Filigree Panel Kit	N/A	5 lbs.
FP36B	Custom 36" Brushed Brass Filigree Panel Kit	N/A	5 lbs.
FP36P	Custom 36" Platinum Filigree Panel Kit	N/A	5 lbs.
FP36PB	Custom 36" Polished Brass Filigree Panel Kit	N/A	5 lbs.
SP36	36" Clean Face Panel	N/A	5 lbs.
PT36	36" Perimeter Trim, Black	N/A	3 lbs.
PT36B	36" Perimeter Trim, Brushed Brass	N/A	3 lbs.
PT36PB	36" Perimeter Trim, Polished Brass	N/A	3 lbs.
PT36P	36" Perimeter Trim, Platinum	N/A	3 lbs.

MODEL #	DESCRIPTION	ASSEMBLED PRODUCT DIMENSIONS	SHIPPING WEIGHT
<b>ACCESSORIES FOR ALL GAS LOG HEATERS</b>			
GA6050	Black Fireplace Hood	4" x 28" to 48"	5.25 lbs.
GA6052	Polished Brass Fireplace Hood	4" x 28" to 48"	5.25 lbs.
GA6053	Brushed Brass Fireplace Hood	4" x 28" to 48"	5.25 lbs.
GA6060	Volcanic Rock (Order when additional rock is desired)	N/A	2 lbs.
HRC101	Receiver and Hand-Held On/Off Remote Control Kit (1-pack)	N/A	2 lbs.
HRC201	Receiver and Hand-Held Thermostat Remote Control Kit (1-pack)	N/A	8 lbs.
CDABKA	Decorative Ash Bed/Control Cover Kit	N/A	18 lbs.
CCK	Cleaning Kit for Routine Consumer Maintenance	N/A	2 lbs.
CIKA	Gas Appliance Installation Kit	N/A	2 lbs.
LPA6100	Two-Stage LP Regulator with Cover	N/A	2 lbs.
GWMT1	Thermostat Wall Switch	N/A	1 lb.

## Newcastle



The Newcastle is patterned after an American style stove popular in the early to mid 1800's. It features dual operating doors for an open fireplace look.

- Thermostat control automatically modulates the heat output and flame height from 16,000 to 30,000 Btu, in order to maintain a consistent room temperature.

- Porcelain reflective back creates a third set of "flames".

- Heats up to 1,000 square feet.

## Burlington

**Yellow Flames Create A Real Wood Fire Appearance**

- Thermostat control automatically modulates heat output low to high and pilot
- Heats up to 800 sq. ft.

**Complete System Includes:**

- Full-size gas logs, dual burner, concealed controls and brass accent trim

**Beautiful stove that can be installed virtually anywhere... Easily and Inexpensively!**

The pedestal stove offers beautiful styling....a bayfront stove body with brass accent trim, realistic logs and active yellow flames.

**Low Cost Installation**

- No venting required



**PRODUCT SPECIFICATIONS** – Check website

(www.ComfortGlowHeat.com) for latest product specifications.

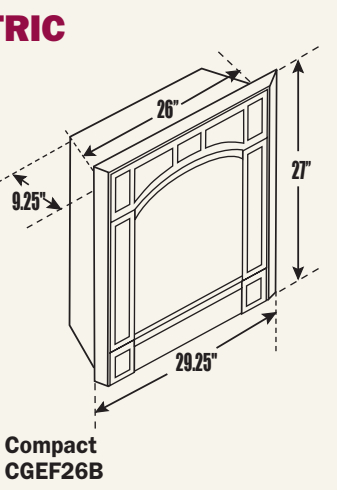
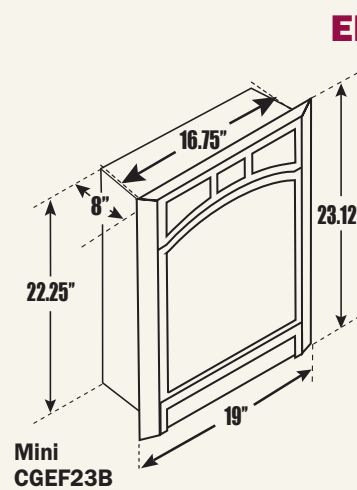
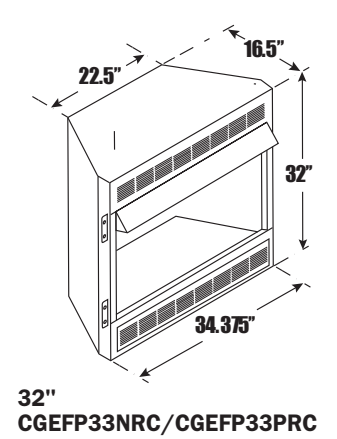
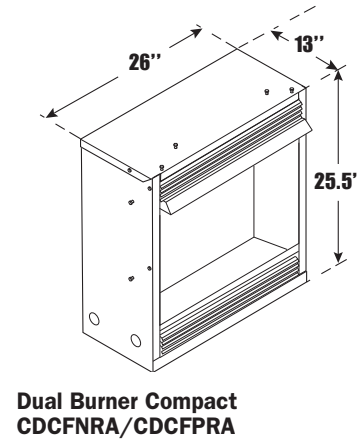
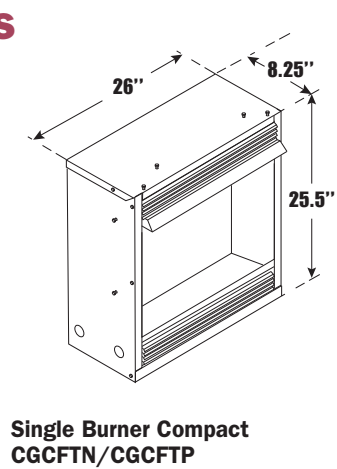
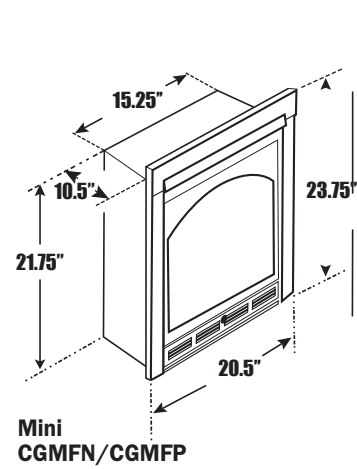
<b>CAST IRON STOVES</b>						
MODEL #	FUEL TYPE	DESCRIPTION	HEAT (BTU/HR LOW TO HIGH)	AVG. LENGTH OF OPERATION W/100 LB. PROPANE CYLINDER	PRODUCT DIMENSIONS (WxHxD)	SHIPPING WEIGHT
CSBNT*	Natural	Charcoal Black	16,000 to 30,000	N/A	26" x 26 7/8" x 16 1/4"	239 lbs.
CSBPT*	Propane/LP			135+ hrs. on low/72 hrs. on high		

\* No Blowers Available.

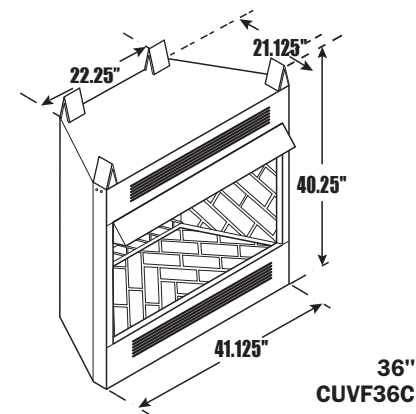
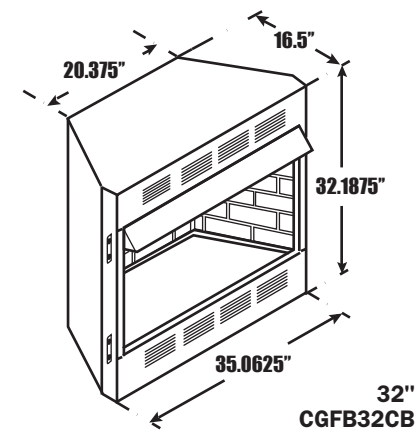
<b>PEDESTAL STOVE</b>							
MODEL #	FUEL TYPE	OPERATION	GAS CONNECTION	HEAT (BTU/HR LOW TO HIGH)	AVG. LENGTH OF OPERATION W/100 LB. PROPANE CYLINDER	PRODUCT DIMENSIONS (WxHxD)	SHIPPING WEIGHT
S26NTA	Natural	Thermostat	1/2" NPT	20,000 to 26,000	N/A	27 1/4" x 28" x 17 1/4"	80 lbs.
S26PTA	Propane/LP				107+ hrs. on low/82+ hrs. on high		
MODEL #	DESCRIPTION					PRODUCT DIMENSIONS (WxHxD)	SHIPPING WEIGHT
GA3750A	Variable Speed Manual Control Blower -For Burlington Stove Only (S26NTA/PTA)					N/A	4 lbs.
CCK	Cleaning Kit for Routine Consumer Maintenance					N/A	2 lbs.
CIKA	Gas Appliance Installation Kit					N/A	2 lbs.
LPA6100	Two-Stage LP Regulator with Cover					N/A	2 lbs.
GC10SPA	Stove Hearth Base, Oak Stained Veneer (Can be used with all stoves) Check Local Codes For Requirements					35 3/4" x 4" x 30 1/2"	25 lbs.

*Comfort Glow*

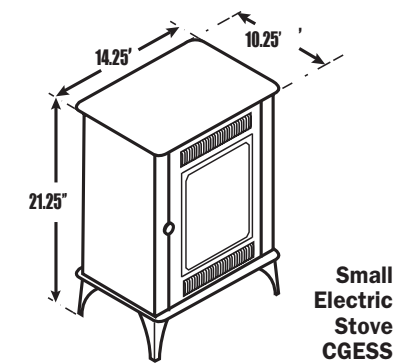
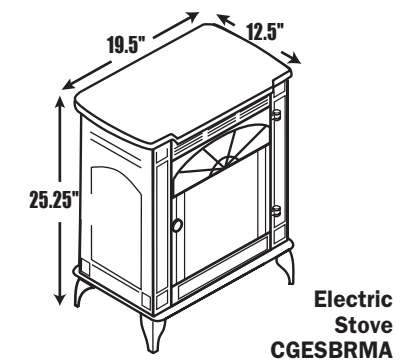
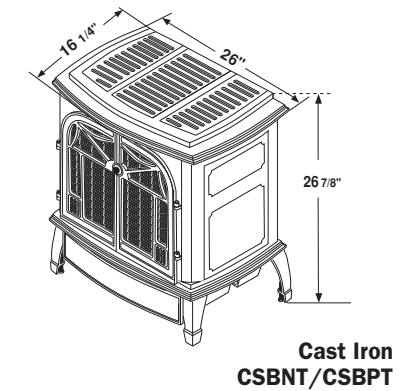
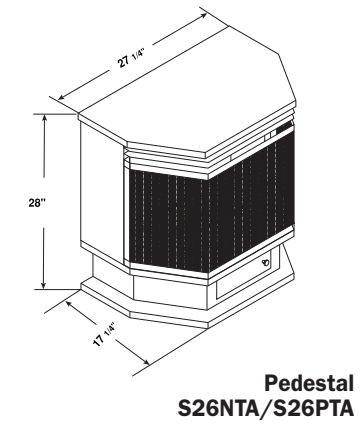
# Fireplace Planning Guide



## FIREBOXES



## STOVES



*Comfort Glow*

# Fireplace Planning Guide



All measurements are estimates. Check actual products for size.

## Electric Fireplaces

Page  
**4-5**



## Vent-Free Fireplace Systems

Page  
**12-15**



## Mantels & Accessories

Page  
**16-20**



## Vent-Free Gas Log Heaters

Page  
**6-8**



# Vent-Free Gas & Electric Hearth Products

## Vent-Free Fireboxes

Page  
**9-11**



## Vent-Free Gas Stoves

Page  
**21**



### IMPORTANT

Installation must be done by qualified service persons.  
Read Owner's Manual before using.  
Check local codes and ordinances for permitted uses.  
Vent-free gas products are prohibited for bedroom and bathroom installation in Massachusetts.  
All products approved for manufactured (mobile) home installation.  
We reserve the right to amend product specifications without notice.  
Operating heater at very high elevations could cause nuisance outages.  
Use with adequate air (ventilation) only. Humidifies while it heats. Provides water vapor in the area heated.  
Refer to owner's manual for specifics.  
Product cannot be converted between fuel types.  
The only warranty we offer is our standard warranty. Please read the warranty for any limitations or disclaimers.  
All parts have a limited four year warranty.  
Stainless Steel burners carry a limited five year warranty. All accessories have a one year warranty.

**DESA**  
HEATING PRODUCTS

Printed in USA  
© 2007 DESA Heating Products  
**FA6345-0607**

## Free Manuals Download Website

<http://myh66.com>

<http://usermanuals.us>

<http://www.somanuals.com>

<http://www.4manuals.cc>

<http://www.manual-lib.com>

<http://www.404manual.com>

<http://www.luxmanual.com>

<http://aubethermostatmanual.com>

Golf course search by state

<http://golfingnear.com>

Email search by domain

<http://emailbydomain.com>

Auto manuals search

<http://auto.somanuals.com>

TV manuals search

<http://tv.somanuals.com>