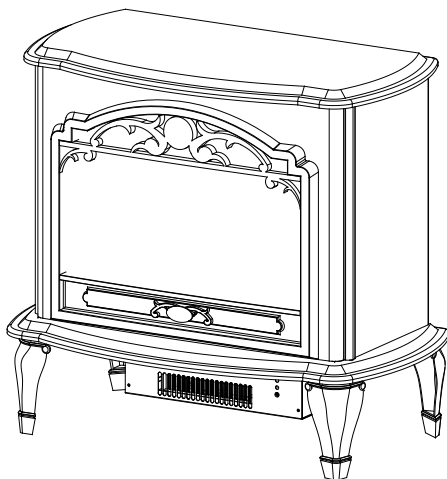


# Owner's Manual

---

Model Numbers:  
**TDS8515**  
**CDS8515**



Serial Number \_\_\_\_\_

Model Number \_\_\_\_\_

Part Number \_\_\_\_\_

Quality checked by:

Valued Customer,

Thank you and congratulations for purchasing a Dimplex electric stove. Over the years, valuable memories will occur around the warmth and comfort of your stove. Thank you for allowing our product to be the backdrop for those special moments.

## QUICK REFERENCE GUIDE

1. Before using the stove verify:
  - Are the circuit breakers for the unit on?
  - Are the light bulbs loose? (To check, follow the instructions for replacing the light bulbs under the maintenance section of this manual)
2. The heater may emit a slight, harmless odor when first used. This odor is a normal condition caused by the initial heating of internal heater parts.
3. The information regarding the model of your unit can be found on the rating plate. See Page 6 for an illustration on how to locate the rating plate.
4. If you have any questions or concerns regarding the operation of your stove, contact Dimplex customer service at 1-888-DIMPLEX (1-888-346-7539)

# CONTENTS

Important Instructions . . . . .	Page 4
Model and Serial Number Information. . . . .	Page 6
Stove Installation . . . . .	Page 7
Operation. . . . .	Page 7
Maintenance . . . . .	Page 11
Warranty . . . . .	Page 14

**! NOTE:** This equipment has been tested and found to comply with the limits for Class B digital device, pursuant to part 15 of the FCC Rules. These limits are designed to provide reasonable protection against harmful interference in a residential installation. This equipment generates, uses and can radiate radio frequency energy and, if not installed and used in accordance with the instructions, may cause harmful interference to radio or television reception, which can be determined by turning the equipment off and on, the user is encouraged to try to correct the interference by one or more of the following measures:

- Reorient or relocate the receiving antenna.
- Increase the separation between the equipment and the receiver.
- Connect the equipment into an outlet on a circuit different from that to which the receiver is connected.
- Consult the dealer or an experienced radio/TV technician for help.

Operation is subject to the following two conditions: (1) this device may not cause interference and (2) this device must accept any interference, including interference that may cause undesired operation of the device.

# IMPORTANT INSTRUCTIONS

## Retain this User's Guide for Future Reference

When using electrical appliances, basic precautions should always be followed to reduce the risk of fire, electric shock, and injury to persons, including the following:

1. Read all instructions before using the stove.
2. The heater is hot when in use. To avoid burns, do not let bare skin touch hot surfaces. The trim around the heater outlet becomes hot during heater operation. Keep combustible materials, such as furniture, pillows, bedding, papers, clothes, and curtains at least 3 feet (0.9 m) from the front of the unit.

**CAUTION: High Temperature, keep electrical cords, drapery, and other furnishings at least 3 feet (0.9 m) from the front of the heater and away from the side and rear.**

3. Extreme caution is necessary when any heater is used by or near children or invalids and whenever the unit is left operating and unattended.
4. Always unplug the stove when not in use.
5. Do not operate any unit with a damaged cord or plug, or if the heater has malfunctioned, or if the stove has been dropped or damaged in any manner. Return heater to authorized service facility for examination, electrical or mechanical adjustment, or repair.
6. Do not use outdoors.
7. The stove is not intended for use in bathrooms, laundry areas and similar indoor locations. Never locate heater where it may fall into a bathtub or other water container.
8. Do not run the cord under carpeting. Do not cover cord with throw rugs, runners, or the like. Arrange cord away from traffic area and where it will not be tripped over.
9. To disconnect the unit, turn the controls off, then remove the plug from the outlet.
10. Do not insert or allow foreign objects to enter any ventilation or exhaust opening as this may cause an electric shock or fire, or damage to the heater.
11. To prevent a possible fire, do not block air intake or exhaust in any manner. Do not use on soft surfaces, like a bed, where openings may become blocked.
12. All electrical heaters have hot and arcing or sparking parts inside. Do not use in areas where gasoline, paint, or flammable liquids are used or stored or where the unit will be exposed to flammable vapors.

13. Do not modify the stove. Use it only as described in this manual. Any other use not recommended by the manufacturer may cause fire, electric shock or injury to persons.
14. To reduce the risk of electric shock, this appliance has a polarized plug (one blade is wider than the other). This plug will fit in a polarized outlet only one way. If the plug does not fit fully in the outlet, reverse the plug. If it still does not fit, contact a qualified electrician to install the proper outlet. Do not change the plug in any way. Avoid the use of an extension cord. Extension cords may overheat and cause a risk of fire. If you must use an extension cord, the cord must be No. 14 AWG minimum size and rated no less than 1875 Watts.
15. Do not burn wood or other materials in the stove.
16. Do not strike the clear door panel.
17. Always use a certified electrician should new circuits or outlets be required.
18. Always use properly grounded, fused and polarized outlets.
19. Disconnect all power supply before performing any cleaning, maintenance or relocation of the unit.
20. When transporting or storing the unit and cord, keep in a dry place, free from excessive vibration and store so as to avoid damage.



**CAUTION**  
RISK OF ELECTRIC SHOCK  
DO NOT OPEN  
NO USER-SERVICEABLE PARTS INSIDE

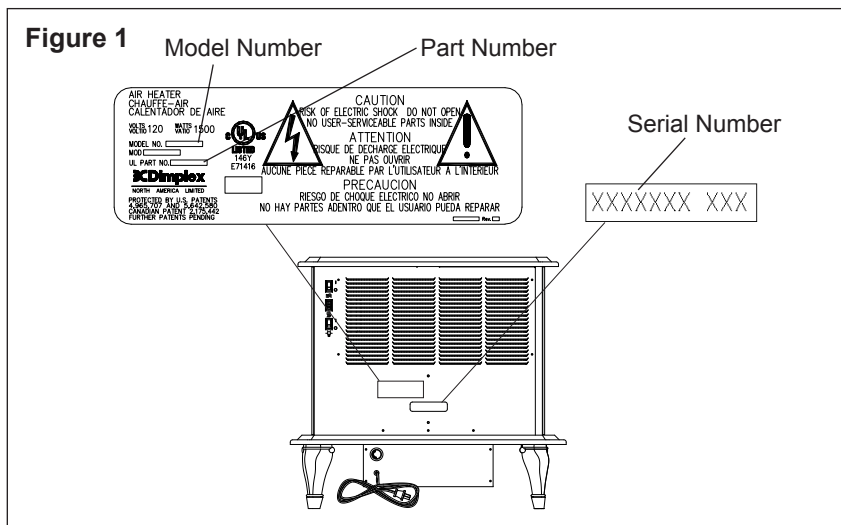


## SAVE THESE INSTRUCTIONS

- ! NOTE:** Procedures and techniques that are considered important enough to emphasize.
- ⚠ CAUTION:** Procedures and techniques which, if not carefully followed, will result in damage to the equipment.
- ⚠ WARNING:** Procedures and techniques which, if not carefully followed, will expose the user to the risk of fire, serious injury, illness or death.

## Model and Serial Number Information

If you have any questions about our products please have the product model and serial numbers available upon calling Dimplex customer service. To locate the model and serial number see below (Figure 1).



## Stove Installation

**! NOTE:** A 15 Amp, 120 Volt circuit is required. A dedicated circuit is preferred but not essential in all cases. A dedicated circuit will be required if, after installation, the circuit breaker trips or fuse blows on a regular basis when the heater is operating. Additional appliances on the same circuit may exceed the current rating of the circuit breaker.

**⚠ WARNING:** Ensure the power cord is not installed so that it is pinched or against a sharp edge and ensure that the power cord is stored or secured to avoid tripping or snagging to reduce the risk of fire, electric shock or injury to persons.

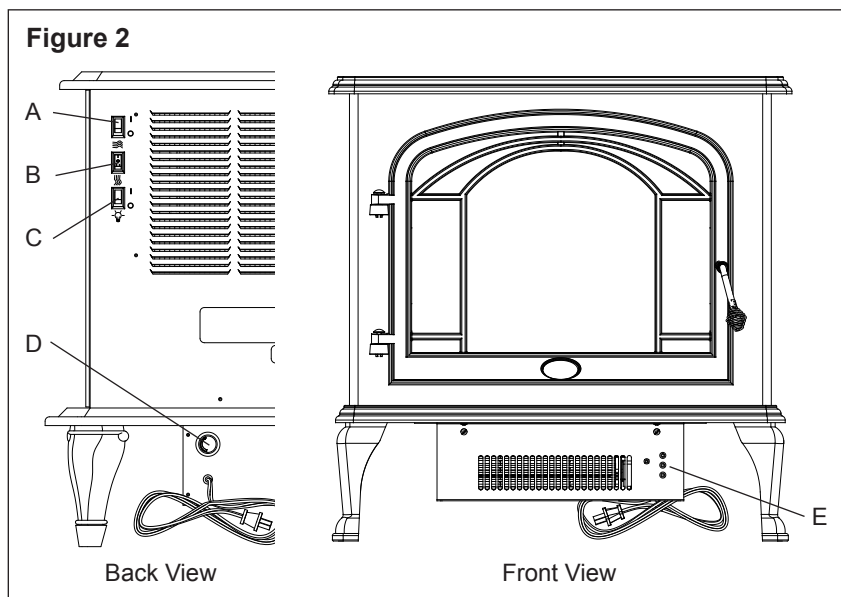
Construction and electrical outlet wiring must comply with local building codes and other applicable regulations to reduce the risk of fire, electric shock and injury to persons.

Do not attempt to wire your own new outlets or circuits. To reduce the risk of fire, electric shock or injury to persons, always use a licensed electrician.

1. Make sure the unit's Main ON/OFF switch is switched OFF (refer to operating instruction section).
2. Plug the unit into a 15 Amp/120 Volt outlet. If the cord does not reach, you may use an extension cord rated for a minimum of 1875 Watts.

## **Operation**

To access the controls, go to the back of the stove (Figure 2).



### **A. Main Power ON/OFF Switch**

The Main Power ON/OFF Switch supplies power to all unit functions (flame, Purifire™, and heater).

## B. Manual Selection Switch

To choose between flame effect setting, flame effect with Purifire™ setting, and flame effect with Purifire™ and heat setting.

Pressing the switch up (“ I ” position) has the same effect as the ON button on the remote control and pressing the switch down (“ II ” position) has the same effect as the OFF button of the remote control.

Pressing the switch up once activates Level 1, twice activates Level 2, three times activates Level 3. Pressing the switch down turns the electric stove OFF.

Level 1: The flame effect is turned on and the first red indicator is activated.

Level 2: The flame effect remains on, the Purifire™ is activated, and the first and second red indicator lights are activated.

Level 3: The flame effect and Purifire™ remain on, the heater is activated, and all three red indicator lights are activated.

## C. Interior Light ON/OFF Switch

The Interior Light On/Off Switch supplies power to the interior light.

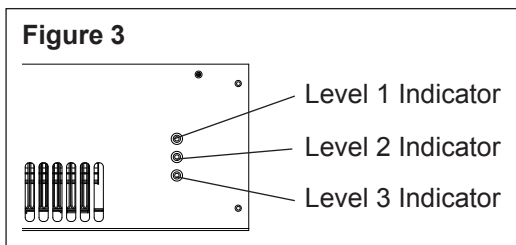
## D. Heater Thermostat Control

To adjust the temperature to your individual requirements, turn the thermostat control clockwise all the way to turn on the heater. When the room reached the desired temperature, turn the thermostat knob counter clockwise until you hear a click. Leave in this position to maintain the room temperature at this setting. For additional heat, turn clockwise until you hear the click again and the heater will turn on.

## E. LED Indicators

Indicates the current function of the stove (Figure 3).

**! NOTE:** The heater may emit a slight, harmless odor when first used. This odor is a normal condition caused by initial heating





of internal heater parts and will not occur again.

## Resetting the Temperature Cutoff Switch

This unit is equipped with a thermostat which controls the temperature of the room. It does this by turning the heater on and off. The heater is protected with a safety device to prevent overheating. Should the heater overheat, an automatic cut out will turn the heater off and it will not come back on without being reset. It can be reset by switching the Main ON/OFF Switch to OFF and waiting five (5) minutes before switching the unit back on.

**⚠ CAUTION:** If you need to continuously reset the heater, unplug the unit and call your local dealer.

## Remote Control Usage

The stove is supplied with a radio frequency remote control. This remote control has a range of approximately 50 feet (15.25 m). It does not have to be pointed at the stove and can pass through most obstacles (including walls). It is supplied with one of 243 independent frequencies to prevent interference with other units. The frequency designation is indicated on the back of the transmitter (Figure 4).

The remote control operates the stove levels sequentially. The level is increased every time the ON button on the transmitter is pressed. The stove can be turned off at any point by pressing the OFF button on the remote control transmitter.

Level 1: The flame effect is turned on and the first red indicator is activated.

Level 2: The flame effect remains on, the Purifire™ is activated, and the first and second red indicator lights are activated.

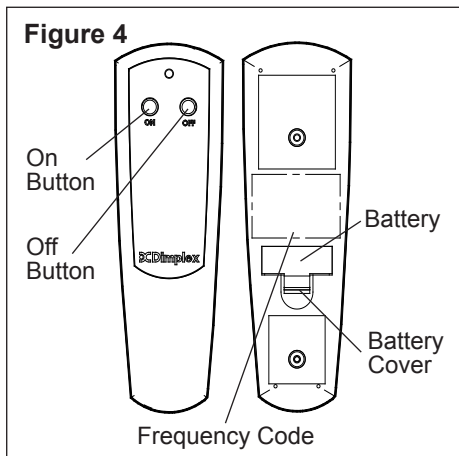
Level 3: The flame effect and Purifire™ remain on, the heater is activated, and all three red indicator lights are activated.

**! NOTE:** When the stove is turned on by transmitter the stove will start with flames only. The level can be increased every time the ON button on the transmitter is pressed.

## Remote Control Initialization

Follow these steps for remote control initialization and if required, re-initialization:

1. Ensure that power is supplied through the main service panel.
2. Access the manual controls.
3. Locate manual controls.
4. Activate main power switch.
5. Press and hold the side of the Manual Selection Switch marked "I" for five (5) seconds (red indicator light will flash).
6. Press the ON button located on the remote control transmitter. This will synchronize the remote control transmitter and receiver.



## Battery Replacement

To replace the battery:

1. Slide battery cover open on the hand held transmitter (Figure 4).
2. Correctly install one (1) 12 Volt (A23) battery in the battery holder.
3. Close the battery cover.

## Maintenance

**⚠ WARNING:** Disconnect power before attempting any maintenance or cleaning to reduce the risk of fire, electric shock or damage to persons.

## Light Bulb Replacement

**⚠ WARNING:** Allow at least five (5) minutes for light bulbs to cool off before touching bulbs to avoid accidental burning of skin.

Light bulbs need to be replaced when you notice a dark section of the flame or when the clarity and detail of the log exterior disappears.

There is one (1) bulb under the top panel for generating the interior light and two (2) bulbs under the log set which generate the flames and embers.

**Tool Requirements:** Slot screwdriver

### **Helpful Hints**

It is a good idea to replace all light bulbs at one time if they are close to the end of their rated life. Group replacement will reduce the number of times you need to open the unit to replace light bulbs.

### **Upper Light Bulb Requirements**

Quantity of one (1) 15 Watt candelabra E12 small base 120 Volt.

**Do not exceed 15 Watts.**

### **Upper Bulb Replacement**

1. Remove the two (2) screws at the upper corners of the back panel. Lift the back end of the top to clear the brackets and pull back. Lift top carefully, and place to the side of the stove (Figure 5).

**Caution should be taken as the top mounting brackets may scratch the finish.**

2. Remove the burnt bulb by pushing in and turning counter-clockwise.
3. Replace the upper light bulb.
4. Reassemble in the reverse order as above.

### **Lower Light Bulb Requirements**

Quantity of three (3) 35 Watt Halogen Quartz lamps, 120 Volt, G9 base.

**Do not exceed 35 Watts per bulb.**

### **Lower Bulb Replacement**

1. Gently place stove on its back on a flat surface.
2. Remove thermostat knob.
3. Remove the heater cover retaining screws located on the bottom of the stove (Figure 6) and lower heater and light assembly out onto the floor.

- Remove the burnt out bulb(s) by pulling straight out of socket. If bulbs are difficult to remove from socket move the bulb from side to side while pulling being careful not to damage the light socket.
- Replace the lower light bulbs.
- Reassemble in the reverse order as above.

### Purifire™ Filter

The Purifire™ filter supplied in your stove is reusable and washable. The filter should be cleaned or replaced on average once a year. To clean the filter gently tap filter on a hard surface to dislodge any loose dirt or debris, and then clean with water. No soap or cleaning products are recommended. The filter size is 20 inches x 10 inches x 1 inch, rated at MERV 10. If using an after market filter follow the manufacturers recommended replacement instructions.

#### To replace filter (Figure 7):

- Remove the two (2) screws at the upper corners of the back panel.
- Lift the back end of the top to clear the brackets and pull back.
- Lift top carefully, and place to the side of the stove.

Figure 5

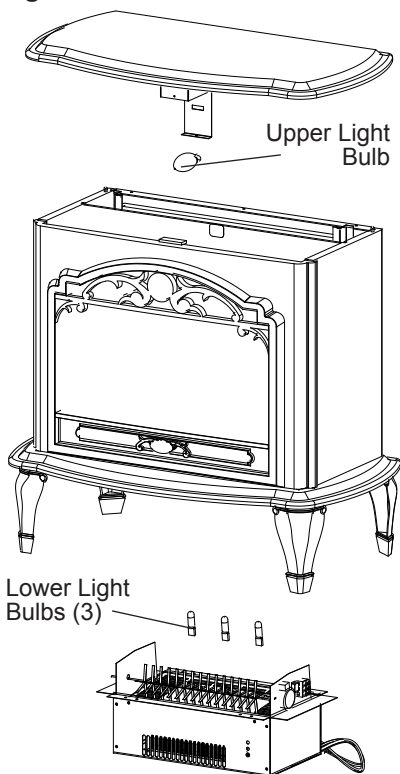
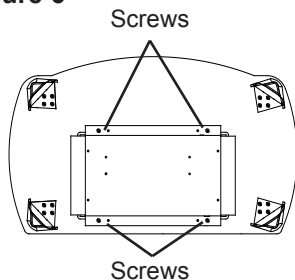


Figure 6



**Caution should be taken as the top mounting brackets may scratch the finish.**

4. Slide filter out of air filter bracket.
5. Reassemble in reverse order as above.

## Glass Cleaning

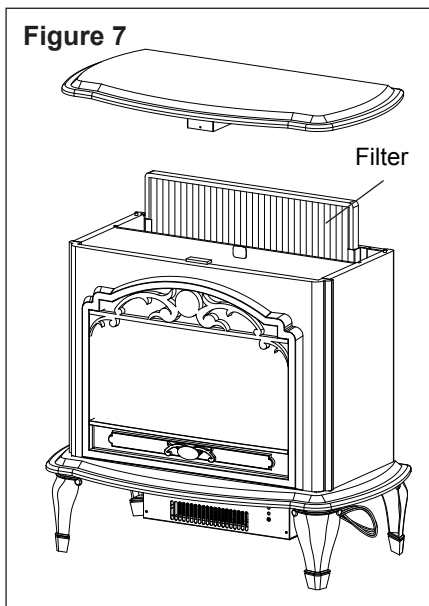
The glass is cleaned in the factory during the assembly operation. During shipment, installation, handling, etc., the clear door may collect dust particles; these can be removed by dusting lightly with a clean dry cloth.

To remove fingerprints or other marks, the clear door can be cleaned with a damp cloth. The clear door should be completely dried with a lint free cloth to prevent water spots.

**CAUTION:** Do not use abrasive cleaners on glass surface or spray liquids directly onto any surface.

## Stove Surface Cleaning

Use a cloth dampened with warm water only to clean painted surfaces of the electric stove. Do not use abrasive cleaners.



# One Year Limited Warranty

## *Products to which this limited warranty applies*

This limited warranty applies to the following models of your newly purchased Dimplex electric stove **TDS8515TC and CDS8515** and to newly purchased Dimplex stove surrounds (mantels) and trims. This limited warranty applies only to purchases made in any province of Canada *except* for Yukon Territory, Nunavut, or Northwest Territories or in any of the 50 States of the USA (and the District of Columbia) *except* for Hawaii and Alaska. This limited warranty applies to the original purchaser of the product only and is not transferable.

## *Products excluded from this limited warranty*

Light bulbs and Purifire™ filters are not covered by this limited warranty and are the sole responsibility of the owner/purchaser. Products purchased in Yukon Territory, Nunavut, Northwest Territories, Hawaii, or Alaska are not covered by this limited warranty. Products purchased in these States, provinces, or territories are sold AS IS without warranty or condition of any kind (including, without limitation, any implied warranties or conditions of merchantability or fitness for a particular purpose) and the entire risk of as to the quality and performance of the products is with the purchaser, and in the event of a defect the purchaser assumes the entire cost of all necessary servicing or repair.

## *What this limited warranty covers and for how long*

Products covered by this limited warranty have been tested and inspected prior to shipment and, subject to the provisions of this warranty, Dimplex warrants such products to be free from defects in material and workmanship for a period of 12 months from the date of the first purchase of such product.

The limited 12 month warranty period also applies to any implied warranties that may exist under applicable law. Some jurisdictions do not allow limitations on how long an implied warranty lasts, so the above limitation may not apply to the purchaser.

## *What this limited warranty does not cover*

This limited warranty does not apply to products that have been repaired (except by Dimplex or its authorized service representatives) or otherwise altered. This limited warranty does further not apply to defects resulting from misuse, abuse, accident, neglect, incorrect installation, improper maintenance or handling, or operation with an incorrect power source.

## *What you must do to get service under this limited warranty*

Defects must be brought to the attention of Dimplex Technical Service by contacting Dimplex at 1-888-DIMPLEX (1-888-346-7539), or 1367 Industrial Road, Cambridge Ontario, Canada N1R 7G8. Please have proof of purchase, catalogue/model and serial numbers available when calling. Limited warranty service requires a proof of purchase of the product.

## *What Dimplex will do in the event of a defect*

In the event a product or part covered by this limited warranty is proven to be defective

in material or workmanship during the 12 month limited warranty period you have the following rights:

- Dimplex will in its sole discretion either repair or replace such defective product or part without charge. If Dimplex is unable to repair or replace such product or part, or if repair or replacement is not commercially practicable or cannot be timely made, Dimplex may, in lieu of repair or replacement, choose to refund the purchase price for such product or part.
- Limited warranty service will be performed solely by dealers or service agents of Dimplex authorized to provide limited warranty services.
- Dimplex will not be responsible for, and the limited warranty services shall not include, any expense incurred for installation or removal of the product or part (or any replacement product or part) or any labour or transportation costs. Such costs shall be the purchaser's responsibility.

*What Dimplex and its dealers and service agents are also not responsible for:*

IN NO EVENT WILL DIMPLEX, OR ITS DIRECTORS, OFFICERS, OR AGENTS, BE LIABLE TO THE PURCHASER OR ANY THIRD PARTY, WHETHER IN CONTRACT, IN TORT, OR ON ANY OTHER BASIS, FOR ANY INDIRECT, SPECIAL, PUNITIVE, EXEMPLARY, CONSEQUENTIAL, OR INCIDENTAL LOSS, COST, OR DAMAGE ARISING OUT OF OR IN CONNECTION WITH THE SALE, MAINTENANCE, USE, OR INABILITY TO USE THE PRODUCT, EVEN IF DIMPLEX OR ITS DIRECTORS, OFFICERS, OR AGENTS HAVE BEEN ADVISED OF THE POSSIBILITY OF SUCH LOSSES, COSTS OR DAMAGES, OR IF SUCH LOSSES, COSTS, OR DAMAGES ARE FORESEEABLE. IN NO EVENT WILL DIMPLEX, OR ITS OFFICERS, DIRECTORS, OR AGENTS BE LIABLE FOR ANY DIRECT LOSSES, COSTS, OR DAMAGES THAT EXCEED THE PURCHASE PRICE OF THE PRODUCT.

SOME JURISDICTIONS DO NOT ALLOW THE EXCLUSION OR LIMITATION OF INCIDENTAL OR CONSEQUENTIAL DAMAGES, SO THE ABOVE LIMITATION OR EXCLUSION MAY NOT APPLY TO THE PURCHASER.

*How State and Provincial law apply*

This limited warranty gives you specific legal rights, and you may also have other rights which vary from jurisdiction to jurisdiction. The provisions of the United Nations Convention on Contracts for the Sale of Goods shall not apply to this limited warranty or the sale of products covered by this limited warranty.



**Dimplex North America Limited**  
1367 Industrial Road • Cambridge ON  
Canada N1R 7G8

**Dimplex®**

1-888-346-7539 • [www.dimplex.com](http://www.dimplex.com)

© 2010 Dimplex North America Limited

## Free Manuals Download Website

<http://myh66.com>

<http://usermanuals.us>

<http://www.somanuals.com>

<http://www.4manuals.cc>

<http://www.manual-lib.com>

<http://www.404manual.com>

<http://www.luxmanual.com>

<http://aubethermostatmanual.com>

Golf course search by state

<http://golfingnear.com>

Email search by domain

<http://emailbydomain.com>

Auto manuals search

<http://auto.somanuals.com>

TV manuals search

<http://tv.somanuals.com>