

•Cooker Hood

CHIM60
CHIM70
CHIM90
CHIM101
CHIM110

Installation & User's instructions



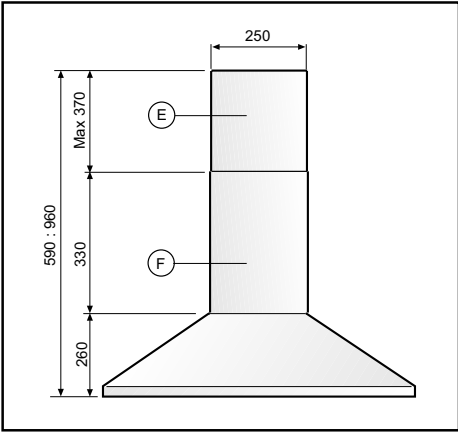


Fig.1

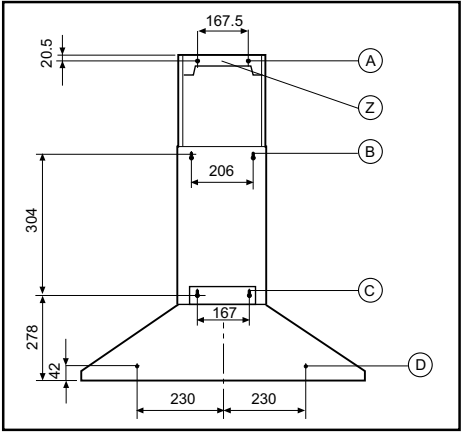


Fig.3

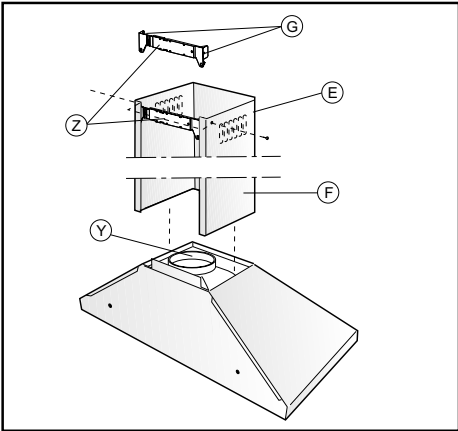


Fig.2

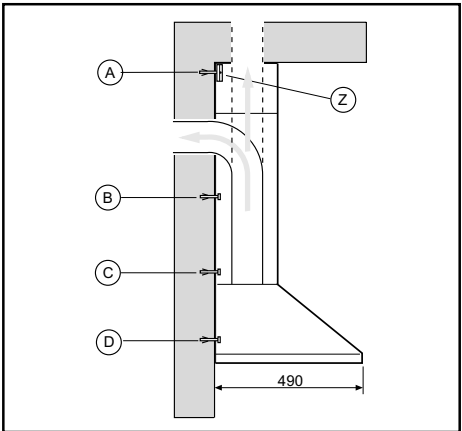


Fig.4

• Your new Belling Cooker Hood

Dear Customer

These instructions are designed to help you know your new cooker hood quickly and to achieve the best possible results.

It is most important that this instruction book should be retained with the appliance for future reference. Should the appliance be sold or transferred to another owner, or should you move house and leave the appliance, always ensure that the book is supplied with the appliance in order that the new owner can be acquainted with the functioning of the appliance and the relevant warnings. Please ensure that you have read the whole instruction book before using the appliance and that you follow the recommendations.

Warnings

These warnings are provided in the interest of safety. Please read carefully before installing or using the appliance.

1. Keep children away from the product.
2. Any installation work must be undertaken by a competent person and installed in accordance with the current IEE regulations.
3. It is dangerous to alter the specification or modify the product in any way.
4. If this appliance is to be connected to a ventilation system, it should not be joined with a ventilation system from any other appliance.
5. The product should be serviced by an authorised Belling service engineer and only genuine Belling spare parts should be used.

• General information

This instruction book applies to the following models:

CHIM60
CHIM70
CHIM90
CHIM101
CHIM110

This cooker hood is guaranteed and will give lasting service. The guarantee is only applicable if the hood has been installed in accordance with these instructions. The cooker hood has been designed for use fixed directly onto a wall. The hood can be used to extract odours to the outside or to recirculate the air within the kitchen after passing through a cleansing charcoal filter. Charcoal filters are supplied as an optional extra, please phone Belling Spares department on 0844 815 3745 and quote part number CHT28.

The hood is convertible to either function.

Belling disclaims any liability for any damage or injury caused as a result of not following the installation & user instructions.

Warning: This hood is designed for domestic use only.

When used in the extraction mode the cooker hood ducting must not be connected to a flue which is used for exhausting fumes from appliances supplied with energy other than electric, such as a central heating flue or a water heater flue.

If the room where the cooker hood is to be used contains a fuel burning appliance such as a central heating boiler, then its flue must be of the room sealed or balanced flue type. If other types of flue or appliances are fitted, ensure there is adequate ventilation in the room.

All installations must comply with local authority requirements for the discharge of exhaust air.

• **Positioning**

When installed above a cooking appliance the distance between the surface of the appliance hotplate and the lower grill of the hood must not be less than 65cm (25½”).

This appliance is suitable for ceiling heights of approximately 225cm (7’5”) and 262cm (8’7”) depending on the installation. If you have a ceiling greater than this height please ring our spares department on 0844 815 3745 for the tall ceiling kit (see Optional Extras).

Do not fit above a cooker with a high level grill.

The distance between adjoining wall cabinets and the worktop must not be less than 40cm (15¾”).

If the cooker hood is installed for use above a gas appliance then the provision for ventilation must be in accordance with the Gas Safety (Installation and Use) Regulations and the relevant building regulations.

Warning: The fan motor of this cooker hood incorporates a thermal cut-out which will operate if the cooker hood is installed below the minimum recommended height or the motor overheats. If the cut-out operates. Switch off the cooker hood and allow the motor to cool, the cutout will then reset itself.

• **Unpacking**

Care should be taken when unpacking the cooker hood to ensure that the outlet flange, screws and wall plugs, literature pack etc. are retained with the hood.

- **Components**

The hood consists of :

- 1 hood body complete with controls and lights
- 1 complete telescopic flue
- 1 connecting flange **Y**.
- 1 bracket **Z** to fix the flue unit to the wall
- 1 bag containing screws and documents

• Installation Instructions

• Wall fitting

The cooker hood may be fitted to any rigid vertical surface. All the fittings supplied are to be found in the polythene bag.

Important: Before installation, check the wall to which the cooker hood is to be fitted, for electric cables, water or gas pipes before drilling. If it is necessary to fix the hood to a hollow construction, plaster or partition structure, suitable fittings (not included) must be used.

• Mounting the hood to the wall

Drill 8 holes (**B, C, D**) respecting the distances indicated (Fig. 3) and the holes **A** using the bracket **Z** as template. Fix the bracket **Z** to the wall (Fig. 3).

Hang the hood on the wall using the holes **C** (Fig. 3). After having levelled the appliance finally secure the hood to the wall using the holes **D**.

• Internal Exhausting

Screw the connecting flange **Y** to the exhaust fan unit on the hood body (Fig. 2). Insert the upper flue **E** into the lower flue **F** with the slots facing upwards. Pull out the upper flue as far as the bracket **Z** and fix it with the screws provided.

Charcoal filters are used to purify the air which will be recycled into the room. The filters cannot be washed or regenerated and must be replaced every 4 months.

The charcoal filters are supplied as an optional extra, please phone Belling Spares department on 0844 815 3745 and quote part number CHT28.

Saturation of the activated charcoal depends on more or less extensive use of the hood, the type of kitchen and the regularity of cleaning the grease filter. The air is recycled into the room through the slots in the flue **E**.

• External Exhausting

Fix the connecting flange **Y** (Fig. 2). By means of a connection pipe of 120 mm internal diameter, connect the flange **Y** to the outlet opening. Insert the upper flue **E** into the lower flue **F** with the slots facing downwards (Fig. 2).

Fix the lower flue to the wall using the previously drilled holes **B** (Fig. 3). Pull out the upper flue as far as the bracket **Z** and fix it with the screws provided.

• Electrical Connection

Before connecting to the mains supply ensure that the voltage is as stated on the rating plate inside the cooker hood.

Warning: This appliance is fully insulated and must not be earthed.

The appliance comes with a 2 core mains cable and should be permanently connected to the electricity supply via a double pole switched fused spur outlet with a minimum contact clearance of 3mm in both poles.

Installation must comply with the latest IEE regulations and must be carried out by a competent person.

The cooker hood must be protected by a 3-amp fuse.

• Use and Maintenance

It is advisable to switch the cooker hood on a few minutes before cooking starts and that it be left on for about 15 minutes after cooking is completed to exhaust all the odours.

On the front of the hood there are:

1. Cooker hood On indicator light
2. On/off switch
3. 3 buttons to adjust the motor speed
4. An on/off switch for the light.

Good functioning of the hood depends on the regularity with which maintenance operations are carried out, in particular the anti-grease filters and the activated charcoal filter. The anti-grease filters have the function of holding back grease particles suspended in the air, and are thus subject to clogging with time depending on the frequency of use of the appliance.

Clean the filters every 2 months by carrying out the following operations:

- Remove the filters from the hood and wash them with warm soapy water.
- Rinse in lukewarm water and leave them to dry.
- The filters may also be washed in the dishwasher.

The aluminium panels may be subject to colour alterations after washing. This is natural over time and will not affect the performance of the appliance.

If filters are not cleaned regularly, there may be a risk of them catching fire.

Frequently clean off any deposits on the fan and other surfaces, using warm soapy water.

• Replacement of the standard lamp

WARNING!! DISCONNECT FROM MAINS BEFORE CHANGING LAMP

Note: The bulb is not covered by the guarantee as it is a consumable item.

Lamps are available from our spares department, please ring 0844 815 3745 and quote part no.CHT15

1. Switch off the light on the top of the appliance.
2. Release the grease filters to gain access to the bulbs.
3. Replace bulb (40W SES).
4. Refit filters.

• Replacement of the Halogen Lamp

WARNING!! DISCONNECT FROM MAINS BEFORE CHANGING LAMP

Note: The bulb is not covered by the guarantee as it is a consumable item.

Lamps are available from our spares department, please ring 0844 815 3745 and quote part no.CHT265A

To replace the halogen lamp, carefully prise off the cover and remove complete with the lamp glass.

Put in the new lamp taking care not to touch the glass with fingers and replace lamp glass and cover.

• Do's and Don'ts

Do take extra care when frying

Do clean grease filters and hood regularly

Do change charcoal filters regularly

Don't leave naked flames under the cooker hood

Don't leave frying pans unattended during use as overheated fat may catch fire

Don't flambé cook under the cooker hood

Don't try to check the filters when the hood is in operation.

Don't touch the lamp after prolonged use of the appliance.

• If your cooker hood doesn't work

Check the power supply and fuse

Is the hood switched on?

Has the hood become too hot and switched itself off?

If hood is still not working call for service

This appliance conforms to the following EEC directives

Low Voltage Directive

73/23/EEC

93/68/EEC

Electromagnetic Compatibility

89/336/EEC

92/31/EEC

93/68/EEC



• Optional extras

Please quote the following part number if you require a ducting or tall ceiling kit.

Filter		CHT28
Ducting Kit	Short	CHIM100004 (1m)
Ducting Kit	Long	CHIM100004A (3m)
Tall ceiling kit	Green	CHIM110002
Tall ceiling kit	Black (Satin)	CHIM60001
Tall ceiling kit	Black (Matt)	CHIM110001
Tall ceiling kit	Stainless Steel	CHIM601002
Tall ceiling kit	Aluminium	CHIM70001

• Calling for Service

Please contact your retailer in the first instance. If you experience difficulty contact Belling Appliances (After Sales Division)

Remember that you may be charged for the visit (even during the guarantee period) if nothing is found to be wrong with the appliance, so always check the instructions in case you have missed anything.

Belling Appliances After Sales Division (Service)

Tel: 0844 815 3746 (all calls will be charged at local rate)

Before contacting a service agent, please note the following details about your cooker:

Model Number

Serial Number

Date of Purchase

Also note your Postcode

In order to provide a complete service history for your cooker please ask the service engineer to record the appropriate details in the chart below.

Date	Nature of Fault	Parts replaced or repaired	Authorised stamp or signature



Belling Appliances Ltd.

Stoney Lane, Prescott, Merseyside L35 2XW

PART No. CHIM110001 Issue 1: 01/2002

Free Manuals Download Website

<http://myh66.com>

<http://usermanuals.us>

<http://www.somanuals.com>

<http://www.4manuals.cc>

<http://www.manual-lib.com>

<http://www.404manual.com>

<http://www.luxmanual.com>

<http://aubethermostatmanual.com>

Golf course search by state

<http://golfingnear.com>

Email search by domain

<http://emailbydomain.com>

Auto manuals search

<http://auto.somanuals.com>

TV manuals search

<http://tv.somanuals.com>