

eureka!

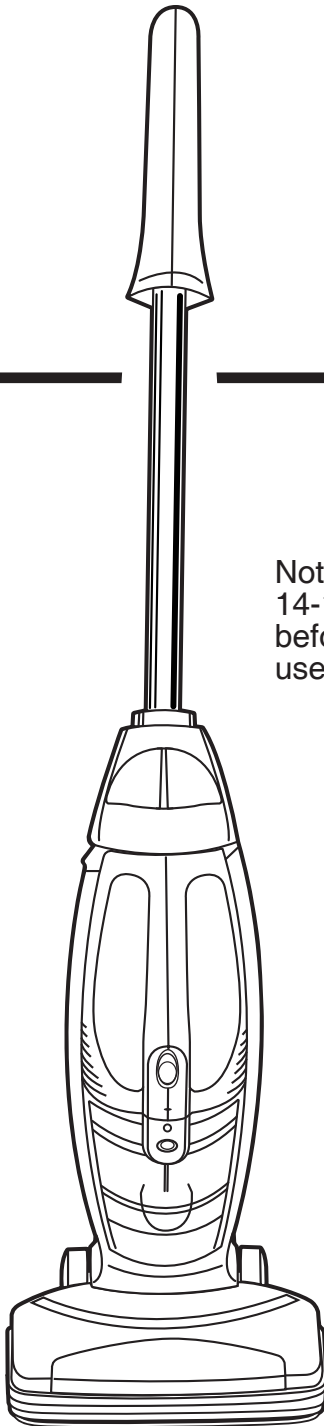
Invented for the way you clean™

easyclean 2-in-1

Combi-Vac with Detachable Hand Vac

Household Type

Owner's Guide Model Series 100-110



Note: Charge 14-16 hours before first use.

IMPORTANT

Do not return this product to the store. Call 1-800-282-2886* Monday - Friday, 8 am to 7:30 pm CST and 10 am to 6:30 pm Saturday or visit our web site, www.eureka.com for any of the following:

- assembly problems
- replacement of broken or missing items
- to order replacement parts and accessories
- to locate the nearest Eureka Warranty Station

*En Mexico llame al (55) 5343-4384

www.eureka.com

PLEASE RETAIN

We suggest you record the model, type and serial numbers below. They are located on the silver rating plate on your cleaner. For prompt and complete service information, always refer to these numbers when inquiring about service.

Model & Type _____

Serial No. _____

It is also important to keep your receipt as proof of date of purchase.

Index

Important Safeguards	2
Service Information	2
Battery Disposal.....	3
Assembly	3
Use.....	4
Accessories.....	5
Dust Cup.....	6
Filter	6
Brush Roll	6
Problem Solving.....	7
Warranty	8
Customer Order Form.....	9

GENERAL INFORMATION

The cordless vacuum cleaner is the answer for quick, convenient, and easy cleanups. Grab the cleaner for little tasks rather than using a larger cleaner.

Charge for 14-16 hours before first use. Batteries could lose charge in shipping.

It is best to charge the batteries when temperatures are between 32°F (0°C) and 104°F (40°C). Other temperatures could damage batteries.

While charging, the charger may become warm to the touch. This is a normal condition and does not indicate a problem.

Service Information

The instructions in this booklet serve as a guide to routine maintenance. For additional service information telephone our toll free number for the nearest Eureka Authorized Warranty Station.

USA: 1-800-282-2886

Mexico: (55) 5343-4384

Canada: 1-800-282-2886

www.eureka.com

If you prefer, you can write to Electrolux Home Care Products North America, Customer Service, P.O. Box 3900, Peoria, IL 61612, USA. In Canada, write to Electrolux Home Care Products Canada, 5855 Terry Fox Way, Mississauga, Ontario L5V 3E4. Refer to The Eureka Warranty for complete service information.

DO NOT OIL. The motor has lubrication and has a permanent seal.



IMPORTANT SAFEGUARDS

When using an electrical appliance, basic precautions should always be followed, including the following:

READ ALL INSTRUCTIONS BEFORE USING THIS VACUUM CLEANER.

WARNING

To reduce the risk of fire, electric shock, or injury:

- Do not use outdoors or on wet surfaces.
- Do not operate the vacuum cleaner or charger that has been damaged in any way. If vacuum cleaner is not working as it should, has been dropped, damaged, left outdoors, or dropped into water, return it to a service center.
- To avoid excessive heat and damage to the unit or batteries, do not operate the vacuum cleaner while charging.
- Do not allow to be used as a toy. Close attention is necessary when used by or near children.
- Use only as described in this manual.
- Use only the charger provided to recharge; Model No. KA12D150020033U for 120 volt.
- Do not pull or carry the charger by cord, use cord as a handle, close a door on cord, or pull cord around sharp edges or corners. Keep cord away from heated surfaces.
- Do not use extension cords or outlets with inadequate current carrying capacity.
- Do not unplug by pulling on cord. To unplug, grasp the charger, not the cord.
- Do not handle charger or vacuum cleaner with wet hands.
- **DO NOT MUTILATE OR INCINERATE BATTERIES AS THEY WILL EXPLODE AT HIGH TEMPERATURES.**
- Leaks from battery cells can occur under extreme usage or temperature conditions. If the liquid gets on the skin (1) wash quickly with soap and water or (2) neutralize with a mild acid such as lemon juice or vinegar. If the liquid gets into the eyes, flush them immediately with clean water for a minimum of 10 minutes. Seek medical attention.
- The terminal on the vacuum cleaner should be kept free and clean of objects. While there is no shock hazard from the terminal, a burn could occur if metal objects are inserted into the terminal area.
- This vacuum cleaner creates suction. Keep hair, loose clothing, fingers, and all parts of body away from openings and moving parts.
- Do not pick up anything that is burning or smoking, such as cigarettes, matches, or hot ashes.
- Do not use without a filter in place. When servicing the unit, never put fingers or other objects into the fan chamber in case the unit would accidentally be turned on.
- Use extra care when cleaning on stairs.
- Do not use to pick up flammable or combustible liquids such as gasoline, or use in areas where they may be present.
- Charge unit indoors in a cool, dry area not exposed to the weather to avoid electrical shock and/or cleaner damage.
- Keep your work area well lit.
- Unplug electrical appliances before vacuuming them.

SAVE THESE INSTRUCTIONS



Important Battery Disposal Information - Call 1-800-822-8837

Nickel-Metal Hydride Batteries

Your vacuum cleaner contains nickel-metal hydride batteries. To protect our environment, properly dispose of the vacuum when the batteries no longer hold a charge. A municipal waste will not dispose of the product with battery intact. Remove the batteries by cutting the connector wires one by one before you discard the appliance. Do not dispose of batteries with your regular household trash. Remove the batteries and take or send it to your nearest Eureka Warranty Service Station.

To learn the address of the nearest factory service center call 1-800-282-2886.

CAUTION: Do not short circuit or dispose of in fire.

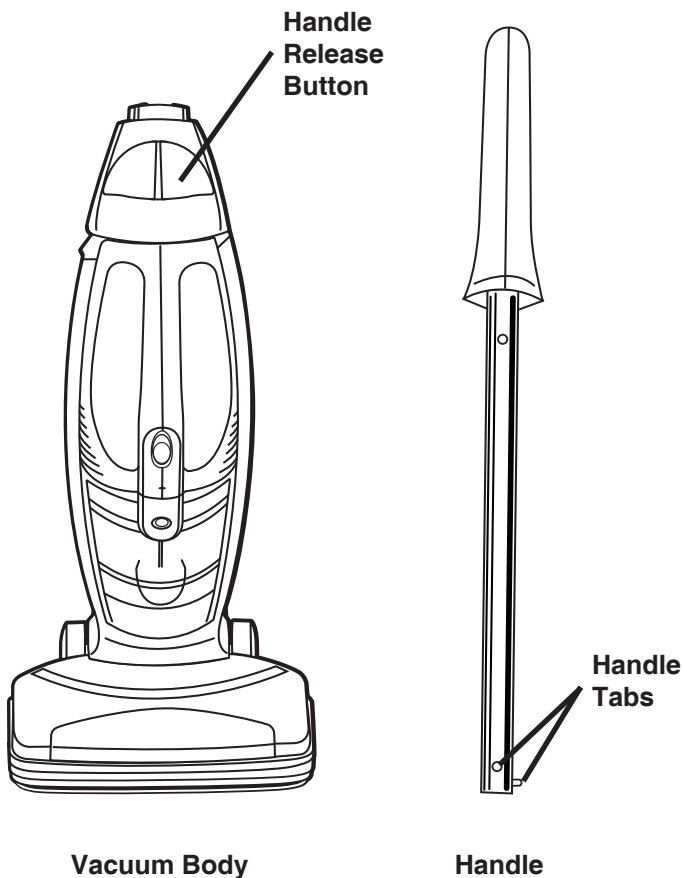
How To Assemble

CAUTION: Assemble the cleaner completely before plugging into an electrical outlet.

CAUTION: Moving parts, stay clear of brush roll when plugging in. Make sure brush roll is clear of moving parts when plugging in.

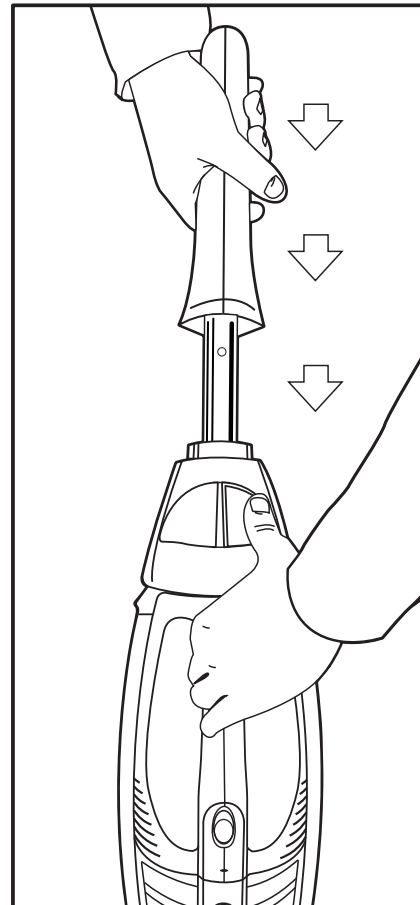
NOTE: Features may vary by model yet all parts assemble the same.

Step A Unpack Body of Vacuum and Handle



1. Remove vacuum body and handle from carton. Locate the handle release button on body and the handle tabs on handle.

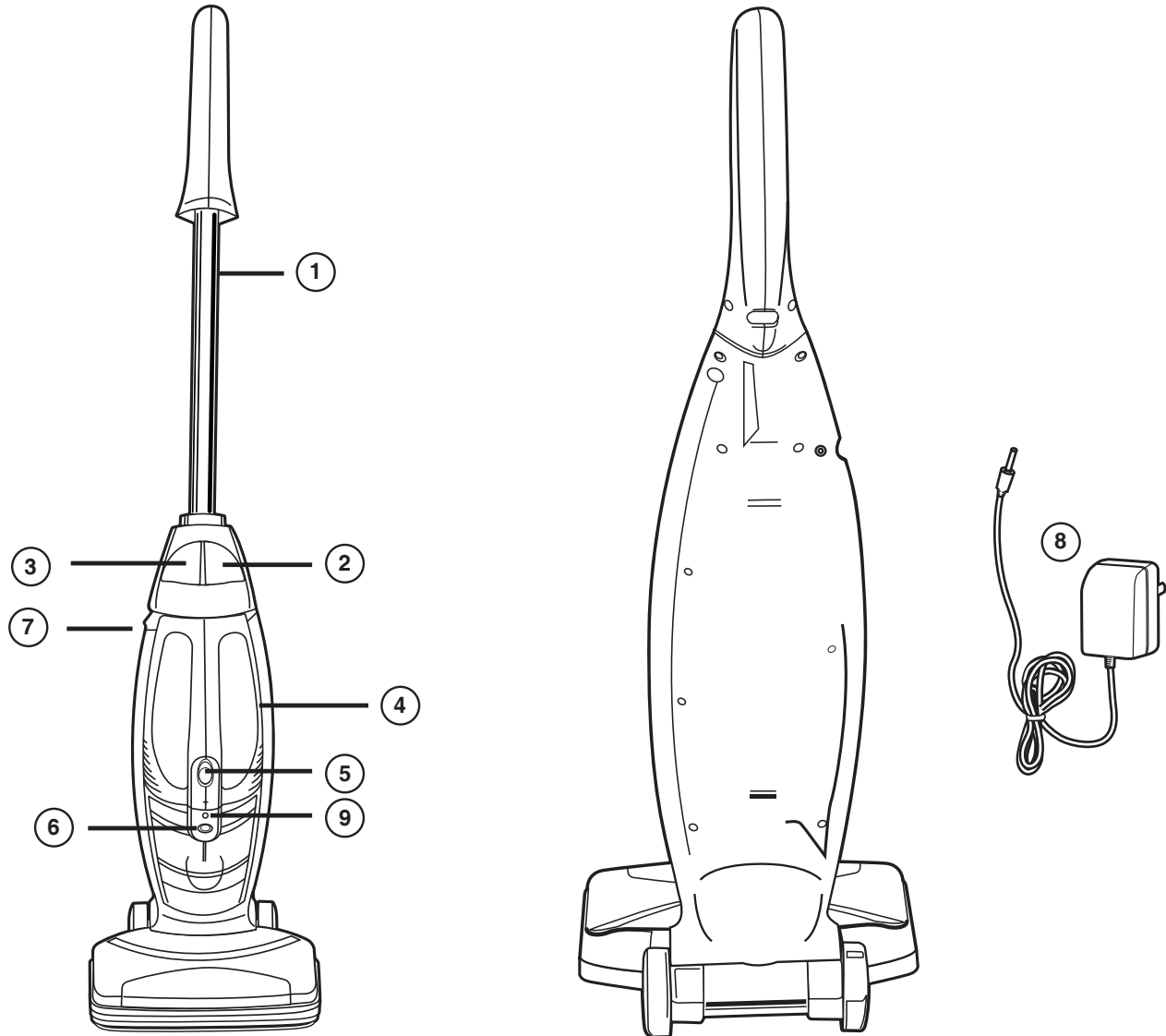
Step B Attach Handle



2. Position handle above vacuum body. Line up the handle tabs to the notches in the opening at the top of the vacuum body.
3. Press down on the handle release button as shown above. Slide the handle down into the unit, until it clicks into place.

How To Use

CAUTION: Do not plug in cleaner until you understand all controls and features.



1. **Telescoping Handle.** The handle has two positions, all the way up or all the way down.
2. **Handle Release Button.** Push in on this button when you want to raise or lower the handle.
3. **Hand Vac Release Button.** Push in on this button to release hand vac from body.
4. **Crevice Tool.** The crevice tool is stored in the body of the vacuum behind the dust cup.
5. **Three Position On/Off Switch.** O = Off, I = Suction and IIIII = suction with brush roll.
6. **Dust Cup Release Button.** Push in on this button to release dust cup from hand vac.

7. **Charger Inlet.** To charge unit, insert charger connector into cleaner.
8. **Charger Connector.** After connecting to cleaner, plug charger into 120V outlet to charge cleaner.
9. **Charging Light.** The light will come on when the unit is charging.

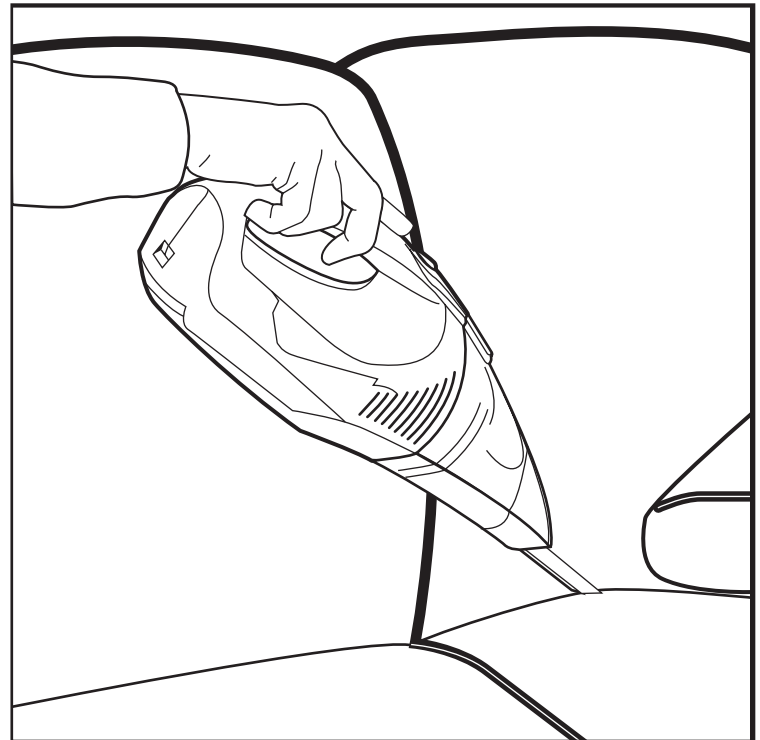
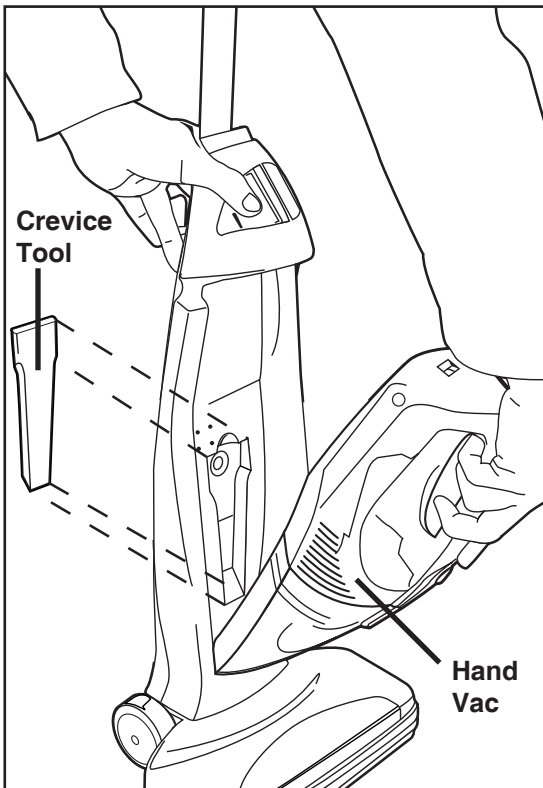
Charge the Batteries

Note: Charge the batteries for 14-16 hours before first use. A cleaner may lose charge in shipment. The charger plug may become warm, however, this is not a cause for concern.

Note: If the batteries are completely discharged, the charging light may not shine until there is sufficient charge in the batteries to provide power.

You may leave the cleaner on constant charge so it is always ready to use. Unplug only if it will not be in use for several weeks at a time.

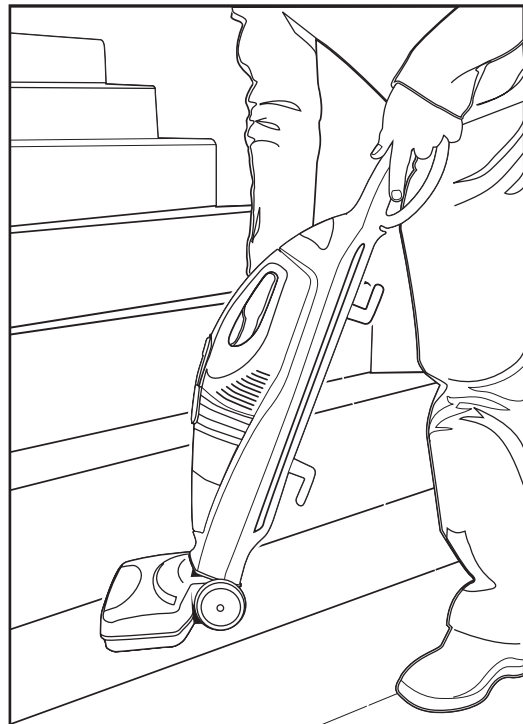
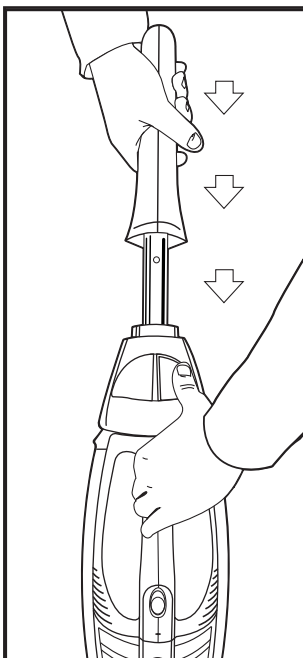
How To Use Accessories



1. To remove the hand vac from the base, push in on the hand vac release button, and tilt hand vac out of base as shown above.

2. The crevice tool is stored in the base behind the hand vac (see fig. 1). Pull crevice tool away from the base and put the wide end into the end of the hand vac nozzle. (See above) The crevice tool is used to clean corners, baseboards, between cushions.

3. To use as a stair vac, collapse handle. Push in on the handle release button and push handle down into unit. See below.



CAUTION: Use extra care when cleaning on stairs.

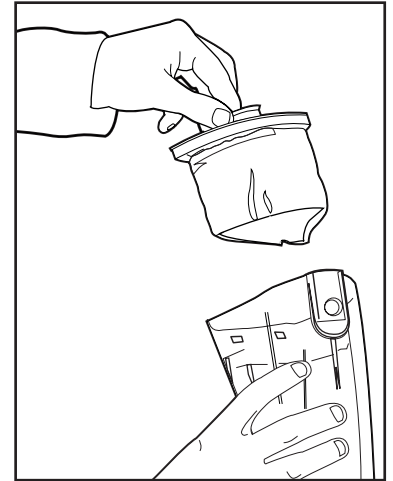
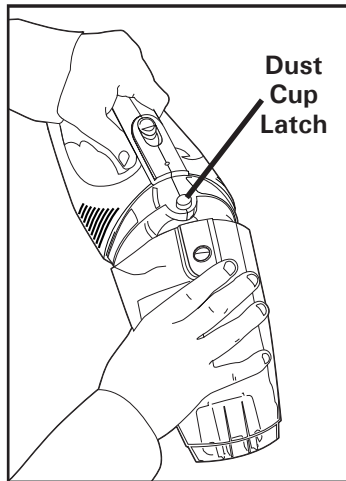
How To Maintain

The instructions in this booklet serve as a guide to routine maintenance. To keep the cleaner operating at top efficiency empty the dust cup and clean the filter after each use.

Empty Dust Cup

CAUTION: Turn off the switch.

1. Remove hand vac from the base unit.
2. Push in on dust cup latch and pull dust cup from handle section.
3. Remove dust cup filter from dust cup. Shake and brush the dust and dirt from filter.



4. Shake contents of dust cup into a waste container.



5. Replace **dry** dust cup filter in dust cup and reassemble following above directions in reverse.

NOTE: Replace a dirty or torn filter.

6. Dust cup may be cleaned with warm water and mild detergent. Wipe dry, do not put dust cup in dishwasher.

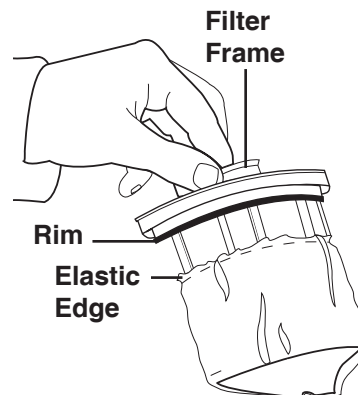
Cleaning and Replacing Dust Cup Filter, PN 62406

Pull filter off of filter frame.

Shake and brush the dust and dirt from filter. If desired, launder filter by hand in warm water using a mild detergent.

NOTE: Air dry thoroughly before returning to use.

To put filter on filter frame, pull and stretch the elastic edge of filter up and over the rim on the filter frame.



Correct Installation

NOTE: If filter is not properly installed, dirt and dust will go past the filter and this can damage the cleaner motor.

Clean Brush Roll

The brush roll turns to sweep and comb the carpet nap. Keep the brush roll free from hair and threads so it will continue cleaning.

PROBLEM SOLVING

NOTE: Turn off the switch and unplug the electrical cord before servicing.

PROBLEM	CAUSE	SOLUTION
Cleaner will not run.	<input type="checkbox"/> Battery Low	<input type="checkbox"/> Charge Battery
Does not clean the carpet or floor.	<input type="checkbox"/> Dust Cup and Filter <input type="checkbox"/> Brush Roll <input type="checkbox"/> Intake Nozzle <input type="checkbox"/> Battery Low	<input type="checkbox"/> Empty the dust cup and clean or replace the filter. Hint: If picking up fine dust, the dust cup may <u>not</u> look full but a fine substance tends to reduce suction when it blocks the airflow through the filter. <input type="checkbox"/> Be sure dust cup is properly installed in hand vac. <input type="checkbox"/> Clean hair and thread from bristles and end cap area. <input type="checkbox"/> Remove hand vacuum from base and look for blockage in the air path from the floor nozzle to the hand vacuum. Lay the stick vacuum flat and use a screwdriver to pull the blockage up and out of the air path. Reattach the hand vacuum; turn the unit on to clear any remaining debris. Remove hand vacuum and recheck for additional clogs. Repeat above steps if needed. <input type="checkbox"/> Charge Battery
No suction.	<input type="checkbox"/> Filter <input type="checkbox"/> Intake Nozzle	<input type="checkbox"/> Clean or replace the filter. Hint: If picking up fine dust, the dust cup may <u>not</u> look full, but a fine substance tends to reduce suction when it blocks the airflow through the filter. <input type="checkbox"/> Remove hand vacuum from base and look for blockage in the air path from the floor nozzle to the hand vacuum. Lay the stick vacuum flat and use a screwdriver to pull the blockage up and out of the air path. Reattach the hand vacuum; turn the unit on to clear any remaining debris. Remove hand vacuum and recheck for additional clogs. Repeat above steps if needed.
Noise from brush roll area.	<input type="checkbox"/> Brush Roll	<input type="checkbox"/> Remove and clean debris from brush roll area. <input type="checkbox"/> Clean hair and threads from brush roll.
Brush roll not turning.	<input type="checkbox"/> Brush Roll <input type="checkbox"/> Power Switch <input type="checkbox"/> Hand Vacuum Not Secured	<input type="checkbox"/> Remove and clean debris from brush roll area. <input type="checkbox"/> Clean hair and threads from brush roll. <input type="checkbox"/> Switch has three positions; off (O), suction only (I) and suction with brush roll (III). <input type="checkbox"/> Remove hand vacuum from base. Reinstall into base by pushing firmly until hand vac locks into place.
How to maintain brush roll.	<input type="checkbox"/> Brush Roll Area <input type="checkbox"/> Brush Roll Belt	<input type="checkbox"/> Remove and clean debris from brush roll area. <input type="checkbox"/> Clean hair and threads from brush roll. <input type="checkbox"/> Do not attempt to lubricate the bearings in the brush roll. They are permanently lubricated at the factory. <input type="checkbox"/> The brush roll belt is a cogged design that should not require replacement.
Cleaner only runs a short time	<input type="checkbox"/> Low Battery Charge	<input type="checkbox"/> Charge Battery.
Battery will not charge	<input type="checkbox"/> Charger Not Connected to Power Supply	<input type="checkbox"/> Plug in charger, check for Charge battery light. <input type="checkbox"/> Check electrical outlet.

THE EUREKA LIMITED WARRANTY

What This Warranty Covers

Your Eureka cleaner is warranted to be free from all defects in material and workmanship in normal household use for a period of one year. The warranty is granted only to the original purchaser and members of his or her immediate household. The warranty is subject to the following provisions:

What This Warranty Does Not Cover

- Parts of the cleaner that require replacement under normal use, such as disposable dust bags, filters, drive belts, light bulbs, brushroll bristles, impellers and cleaning.
- Damages or malfunctions caused by negligence, abuse, or use not in accordance with the Owner's Guide.
- Defects or damages caused by unauthorized service or the use of other than Genuine Eureka parts.

What Eureka Will Do

Eureka will, at its option, repair or replace a defective cleaner or cleaner part that is covered by this warranty. As a matter of warranty policy, **Eureka will not refund the consumer's purchase price.**

Warranty Registration

Please fill out and return the warranty registration card accompanying your cleaner.

Obtaining Warranty Service

To obtain warranty service you must return the cleaner or cleaner part along with "proof of purchase" to any Eureka Authorized Warranty Station.

For the location of the nearest Eureka Authorized Warranty Station or for service information visit www.eureka.com, or telephone toll free:

USA: 1-800-282-2886

Mexico: 55-5343-4384

Canada: 1-800-282-2886

www.eureka.com

If you prefer, you can write to Electrolux Home Care Products North America, P.O. Box 3900, Peoria, Illinois 61612, USA. In Canada write to Electrolux Home Care Products Canada, 5855 Terry Fox Way, Mississauga, Ontario L5V 3E4.

If it is necessary to ship the cleaner outside your community to obtain warranty repair, you must pay the shipping charges to the Eureka Authorized Warranty Station.

Return shipping charges will be paid by the Warranty Station. When returning parts for repair, please include the model, type, and serial number from the data plate on the cleaner.

Further Limitations and Exclusions

Any warranty that may be implied in connection with your purchase or use of the cleaner, including any warranty of Merchantability or any warranty for Fitness For A Particular Purpose is limited to the duration of this warranty. Some states do not allow limitations on how long an implied warranty lasts, so the above limitations may not apply to you.

Your relief for the breach of this warranty is limited to the relief expressly provided above. In no event shall the manufacturer be liable for any consequential or incidental damages you may incur in connection with your purchase or use of the cleaner. Some states do not allow the exclusion or limitation of incidental or consequential damages, so the above limitation or exclusion may not apply to you.

This warranty gives you specific legal rights. You may also have other rights, which may vary by state.

eureka!

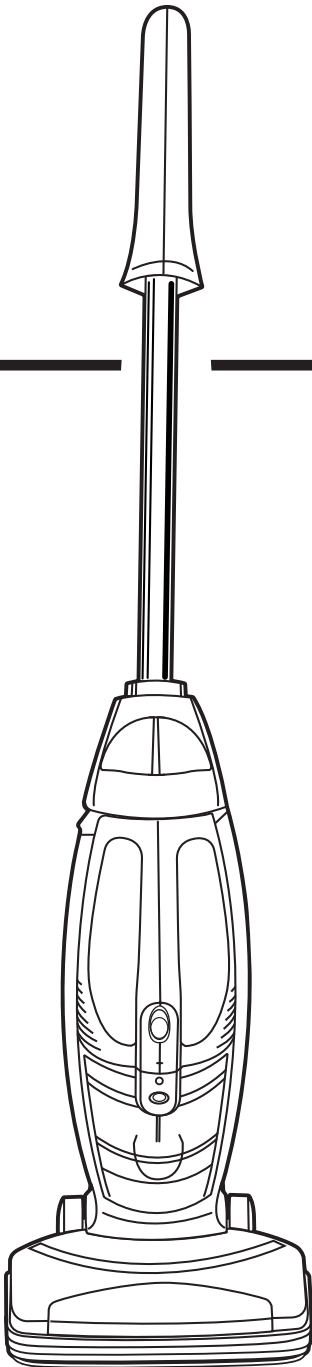
Invented for the way you clean™

easyclean 2-in-1

Aspiradora "Combi-Vac"
Con mango aspiradora demano

tipo doméstico

Guía del propietario
Modelo de la serie 100-110



Nota:
Cárguela
durante 14
a 16 horas
antes de
usarla por
primera vez.

IMPORTANTE

No devuelva este producto al negocio donde lo compró. Llame al 1-800-282-2886* de lunes a viernes, 8 am a 7:30 pm (hora estándar central), sábados de 10 am a 6:30 pm, o visite nuestro sitio de internet, por cualquiera de las siguientes razones:

- problemas de ensamblaje
- reposición de ítemes rotos o faltantes
- para ordenar repuestos y accesorios
- para averiguar la dirección del Centro de Garantía de Eureka más cercano

*En Mexico llame al (55) 5343-4384

GUARDE LA INFORMACIÓN SIGUIENTE

Le sugerimos que registre el modelo, el tipo y el número de serie de la aspiradora en los espacios suministrados más abajo. Encontrará esta información en la placa de datos plateada que tiene la aspiradora. Cuando necesite obtener información completa y rápida en cuanto al servicio de esta aspiradora, remítase a estos números.

Modelo y tipo _____

Número de serie _____

También es importante guardar el recibo para tener prueba de la fecha de compra.

www.eureka.com

Índice

Importante para su seguridad	2
Información sobre servicio de reparaciones	2
El desecho de baterías	3
Armado	3
Uso	4
Accesorios	5
Cepillo circular	6
Recipiente para polvo	6
Filtro	6
Resolviendo Problemas	7
Garantía	8

INFORMACIÓN GENERAL

La aspiradora sin cable es la solución para limpiar rápida, cómoda y fácilmente. Para tareas pequeñas, use esta aspiradora en lugar de un artefacto grande.

Cárguela durante 14 a 16 horas antes de usarla por primera vez. Las baterías pueden perder carga durante el transporte.

Es mejor cargarlas a temperaturas entre 32°F (0°C) y 104°F (40°C). Otras temperaturas pueden dañar las baterías. Durante el carga, el cargador puede calentarse al tacto. Esto es

Información sobre servicio de reparaciones y partes

Las instrucciones de este folleto sirven como guía para el mantenimiento de rutina. Para información adicional sobre el servicio, llame a nuestro número telefónico gratuito a fin de conocer la dirección del Centro de Garantía Autorizado de Eureka más cercano.

EE.UU.: 1-800-282-2886

México: (55) 5343-4384

Canadá: 1-800-282-2886

www.eureka.com

Si lo prefiere, puede dirigirse por escrito a Electrolux Home Care Products North America, Customer Service, P.O. Box 3900, Peoria, Illinois, 61612, USA. En Canadá, diríjase a Electrolux Home Care Products Canada, 5855 Terry Fox Way, Mississauga, Ontario L5V 3E4. Para obtener la información completa sobre el servicio, refiérase a la Garantía de Eureka.



NO LA LUBRIQUE. El motor tiene lubricación y un sello permanente.

IMPORTANTE PARA SU SEGURIDAD

Hay precauciones básicas a seguir siempre que se usa un aparato eléctrico, incluyendo las siguientes:

LEA TODAS LAS INSTRUCCIONES ANTES DE USAR ESTA ASPIRADORA.

PRECAUCIÓN

Para reducir el riesgo de incendios, electrocución o lesiones:

- No utilice la aspiradora a la intemperie ni en superficies húmedas.
- Si la aspiradora se dañó de alguna manera, no la ponga en funcionamiento ni la cargue. Si la aspiradora no funciona de manera adecuada, se ha caído, dañado, dejado a la intemperie o mojado, devuélvala a un centro de servicio.
- Para evitar calor excesivo y daños a la unidad o las baterías, no ponga a funcionar la aspiradora durante la recarga.
- No permita que se utilice la aspiradora como juguete. Preste especial atención cuando es utilizada por o cerca de niños.
- Utilícela solamente según se indica en este manual.
- Use sólo el cargador suministrado para recargar; el Modelo No. KA12D150020033U para 120 voltios.
- No jale la aspiradora ni la transporte jalando el cable, no utilice el cable como mango, no cierre una puerta sobre el cable ni lo jale alrededor de bordes o esquinas cortantes. Mantenga el cable lejos de superficies calientes.
- No utilice cables alargadores ni tomacorrientes con capacidad de conducción incorrecta.
- No jale el cable para desenchufar la aspiradora. Para desenchufarla aspiradora, jale el enchufe, no el cable.
- No manipule el cargador o la aspiradora con las manos húmedas.
- **NO ROMPA NI INCINERE LAS BATERÍAS. PUEDEN EXPLOTAR A ALTAS TEMPERATURAS.**
- Se pueden producir fugas de las celdas de las baterías en condiciones extremas de uso o a altas temperaturas. Si el líquido entra en contacto con la piel, (1) lave enseguida la zona afectada con agua y jabón o (2) neutralícelo con un ácido débil tal como jugo de limón o vinagre. Si el líquido entra en contacto con los ojos, lávelos inmediatamente con agua limpia durante 10 minutos como mínimo. Busque atención médica.
- La terminal de la aspiradora debe mantenerse libre de obstáculos u objetos. Aunque no exista peligro de electrocución en la terminal, pueden producirse quemaduras si se insertan objetos metálicos en el área de la misma.
- Esta aspiradora produce succión. Mantenga el cabello, la ropa suelta, los dedos y todas las partes de su cuerpo lejos de las aberturas y de las partes móviles.
- No recoja objetos calientes o humeantes, como cigarrillos, fósforos o cenizas calientes.
- No utilice la aspiradora si el filtro no está colocado en su sitio. Cuando se efectúe el servicio de la unidad, nunca coloque los dedos u otros objetos en la cámara del ventilador. La unidad podría encenderse accidentalmente.
- Tenga extremada precaución cuando aspire en escaleras.
- No utilice la aspiradora para recoger líquidos inflamables o combustibles, como gasolina, ni la utilice en lugares en los que puedan estar presentes estos líquidos.
- Recargue la unidad en un área cerrada, fresca y seca, sin exponerla a la intemperie para evitar choques eléctricos y/o daños a la aspiradora.
- Mantenga el área de trabajo bien iluminada.
- Desenchufe todos los electrodomésticos antes de limpiarlos con la aspiradora.

GUARDE ESTAS INSTRUCCIONES



Información importante sobre el desecho de baterías – Llame al 1-800-822-8837

Baterías de níquel-cadmio

Su aspiradora contiene baterías híbridas de hidruro metálico de níquel. Para proteger su entorno, extraiga las baterías de la aspiradora para desecharlas ya no se puedan recargar. Un basurero municipal no desecha productos con baterías intactas. Para retirar las baterías, corte uno por uno los cables del conector, antes de deshacerse del aparato. No deseche las baterías en un cesto de basura. Retire las baterías y llévelas o envíelas a la Estación de Servicio Eureka más cercana.

Para conocer la dirección del centro de servicio de la fábrica más cercano, llame al 1-800-282-2886.

PRECAUCIÓN: No provoque cortocircuitos ni arroje al fuego.

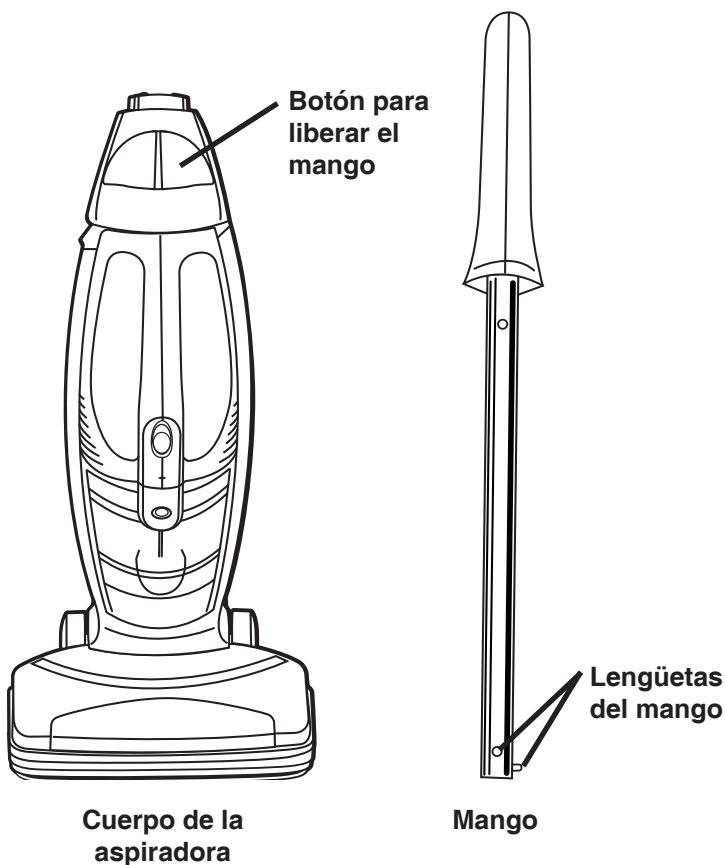
Como armarla

PRECAUCIÓN: Arme completamente la aspiradora antes de enchufarla a un toma corriente.

PRECAUCIÓN: Partes móviles, mantenga su distancia del cepillo circular cuando la enchufa. Asegurese, que el cepillo circular mantenga su distancia, de las partes móviles, cuando la enchufa.

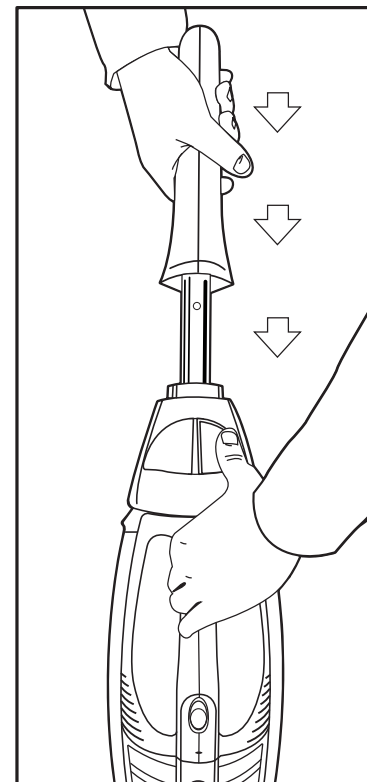
NOTA: Las características pueden variar según el modelo pero todas las partes se arman de la misma manera.

Paso A Desempaque el cuerpo de la aspiradora y el mango



1. Saque de la caja el cuerpo de la aspiradora y el mango. Localice el botón para liberar el mango en el cuerpo y las lengüetas del mango en el mango.

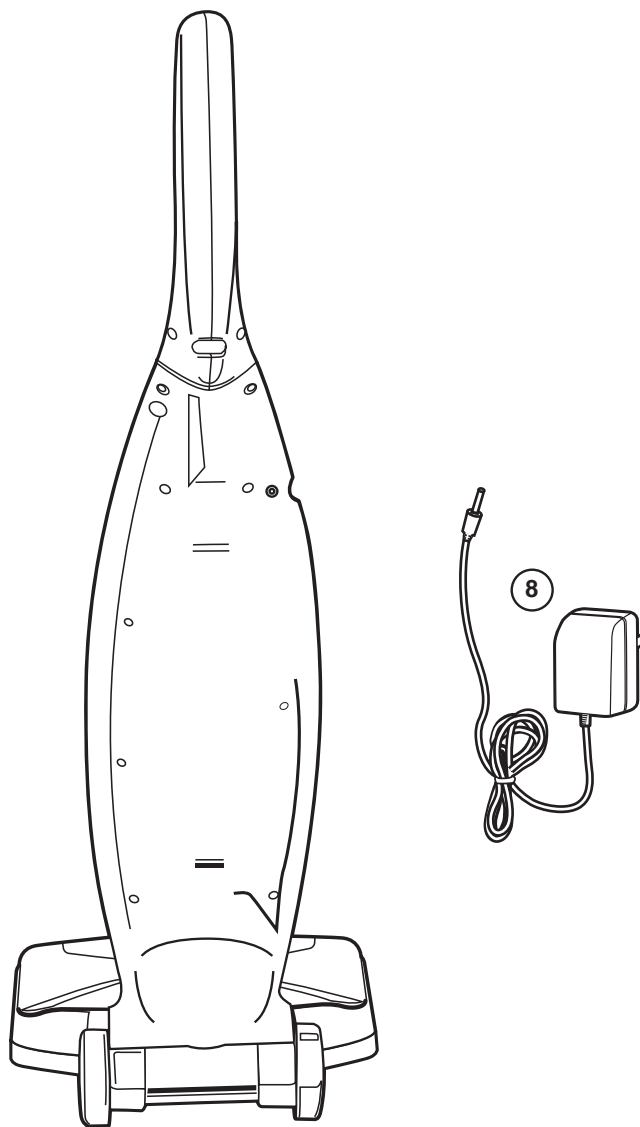
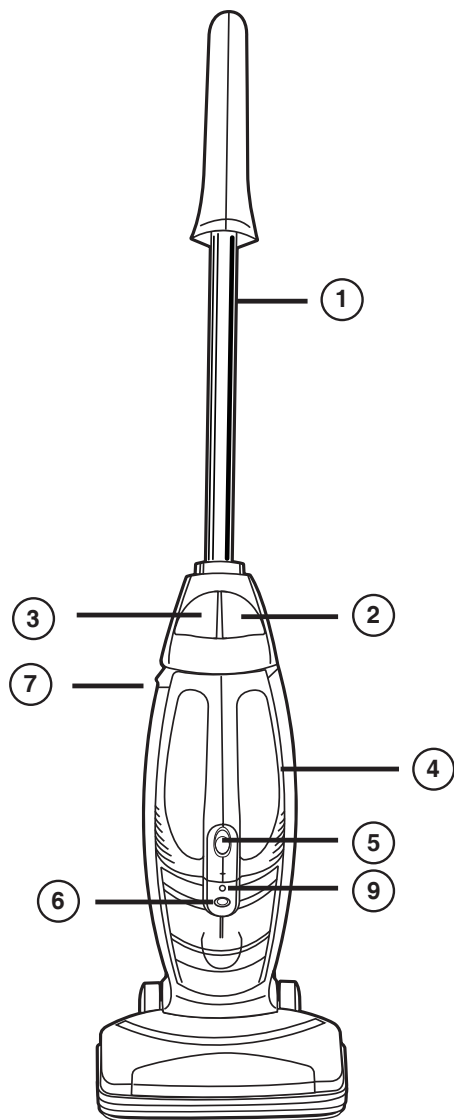
Paso B Acople el mango



2. Posicione el mango sobre el cuerpo de la aspiradora. Alinee las lengüetas del mango con las muescas en la abertura en la parte superior del cuerpo de la aspiradora.
3. Presione el botón para liberar el mango como lo indica la ilustración. Deslice el mango hacia abajo dentro de la aspiradora hasta que encaje en su lugar.

Como usarla

PRECAUCIÓN: No enchufe la aspiradora hasta haber entendido todos los controles y características.



1. **Mango telescópico.** El mango tiene dos posiciones, levantado completamente o bajado completamente.
2. **Botón para liberar el mango.** Presione hacia adentro este botón cuando quiere subir o bajar el mango.
3. **Botón para liberar la aspiradora manual.** Presione hacia adentro este botón para liberar la aspiradora manual del cuerpo.
4. **Utensilio para hendiduras.** El utensilio para hendiduras está almacenado en el cuerpo de la aspiradora detrás del recipiente para polvo.
5. **Interruptor con tres posiciones.** O = Apagado, I = Succión. IIIII = Succión con el cepillo circular.
6. **Botón para liberar el recipiente para polvo.** Presione este botón hacia adentro para liberar el recipiente para polvo de la aspiradora manual.

7. **Toma del cargador.** Para cargar la unidad, inserte el conector del cargador en la aspiradora.
8. **Conector del cargador.** Después de conectarlo a la aspiradora, conecte el cargador a una toma de corriente de 120 voltios para recargar la aspiradora.
9. **Luz de carga.** La luz se enciende cuando la unidad se está recargando.

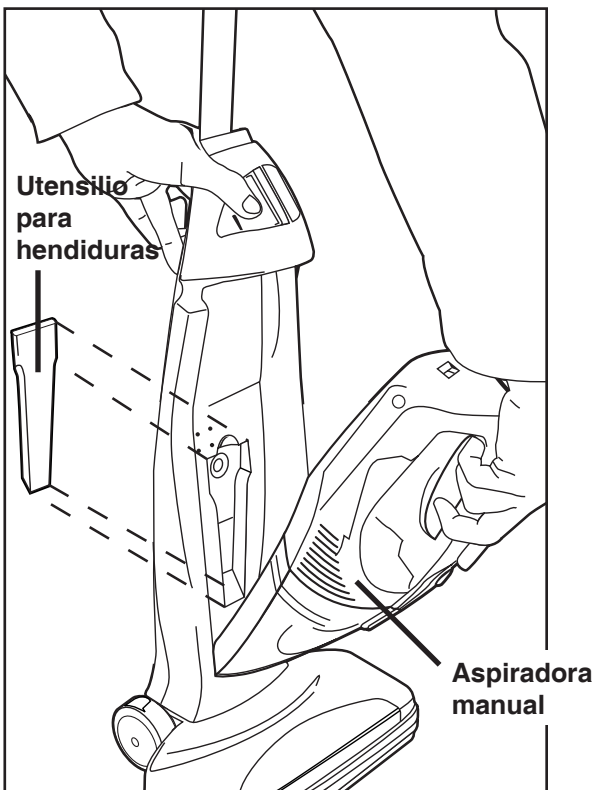
Cargue las Baterías

Nota: Recargue las baterías durante 14 a 16 horas antes del primer uso. La aspiradora podría perder carga durante el envío. El conector del cargador podría calentarse, sin embargo esto no es motivo de preocupación.

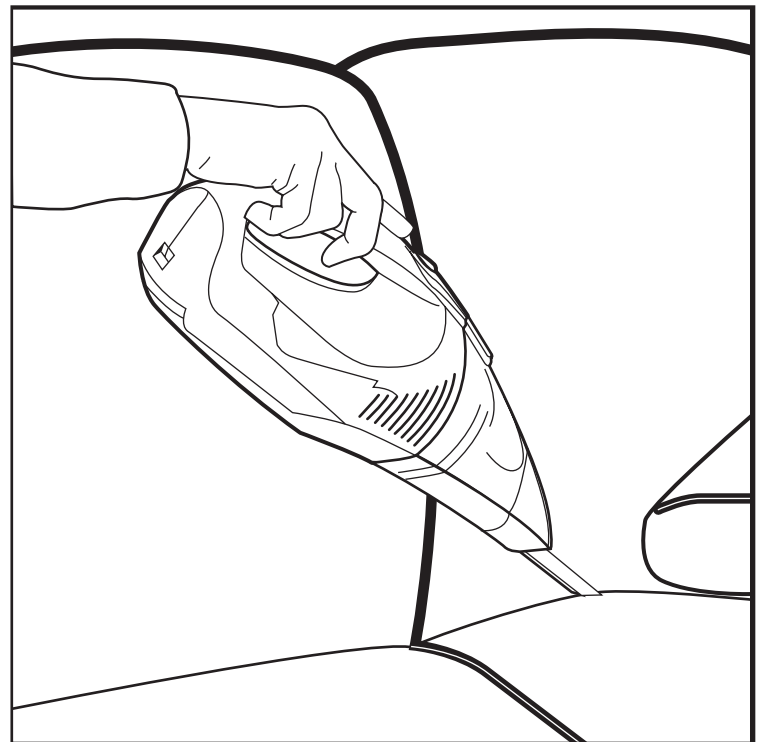
Nota: Si las baterías están totalmente descargadas, la luz de carga puede no encenderse hasta que haya suficiente carga en las baterías como para alimentarla.

Deberá dejar la aspiradora en recarga constante de modo que siempre esté lista para utilizarla. Desenchúfela sólo si no se usará durante varias semanas consecutivas.

Como usar los accesorios

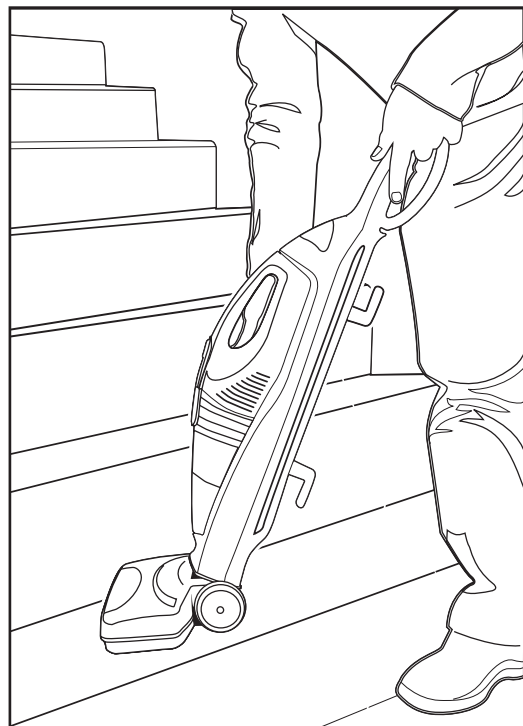
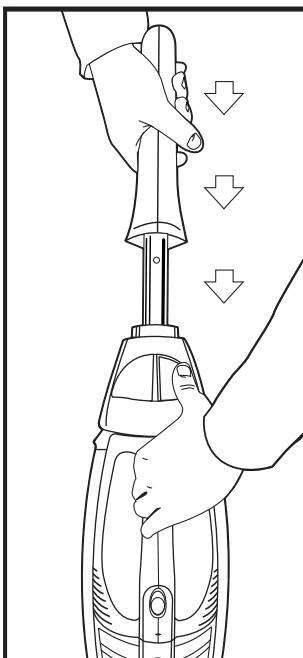


1. Para extraer la aspiradora manual de su base, presione el botón de desbloqueo de la aspiradora de mano e incline la aspiradora manual para extraerla de la base como se ilustra arriba.



2. El utensilio para hendiduras se guarda en la base detrás de la aspiradora manual (vea la fig. 1). Jale el utensilio para hendiduras hacia afuera de la base y coloque el extremo ancho en el extremo de la boquilla de la aspiradora manual. (Vea la ilustración de arriba.) El utensilio para hendiduras se utiliza para limpiar rincones, zócalos, entre cojines.

3. Para usarla como aspiradora de escalones, baje el mango hasta abajo. Presione el botón para liberar el mango y baje el mango dentro de la unidad. Vea la siguiente ilustración.



PRECAUCIÓN: Tenga especial cuidado al limpiar escalones.

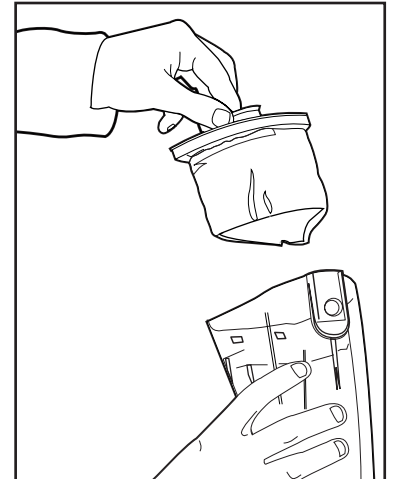
Cómo hacerle mantenimiento

Las instrucciones en este manual son una guía para el mantenimiento rutinario. A fin de mantener un rendimiento óptimo de la aspiradora vacíe el recipiente para polvo y límpie el filtro después de cada uso.

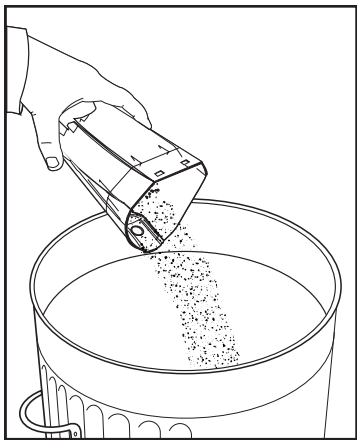
Vacíe el recipiente para polvo.

PRECAUCIÓN: Apague el interruptor.

1. Saque la aspiradora manual de la base.
2. Presione hacia adentro el pestillo del recipiente para polvo y saque el recipiente para polvo de la sección del mango.
3. Quite el filtro del recipiente para polvo. Sacuda o cepille el polvo y la suciedad del filtro.



4. Sacuda el contenido del recipiente para polvo vaciándolo en un bote de basura.



5. Vuelva a colocar en el recipiente para polvo y el filtro seco que va en el recipiente para polvo y vuelva a armar siguiendo las indicaciones dadas, pero en sentido contrario.

NOTA: Cambie el filtro si está sucio o roto.

6. El recipiente para polvo puede ser limpiado con agua tibia y un detergente suave. Séquelo con una toalla, no coloque el recipiente para polvo en el lavaplatos.

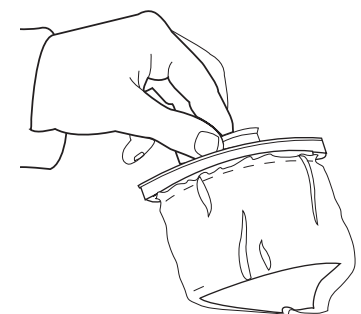
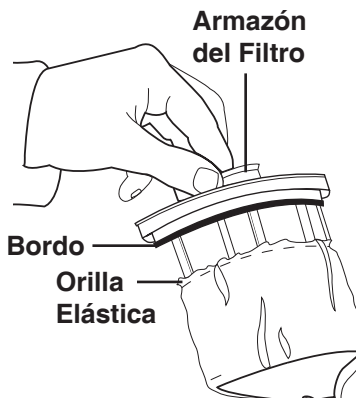
Limpieza y Reemplazo del Filtro del Recipiente para Polvo, PN 62406

Saque el filtro de su armazón.

Sacuda o cepille el polvo y la suciedad del filtro. Si desea, lave el filtro a mano en agua tibia usando un detergente suave.

NOTA: Séquelo completamente al aire antes de volver a colocarlo.

Para poner el filtro en su armazón, jale y estire la orilla elástica del filtro por encima del borde del armazón del filtro.



Instalación Correcta

NOTA: Si el filtro no es instalado adecuadamente, el polvo y la suciedad penetraran el filtro y esto puede dañar el motor de la aspiradora.

Límpie el cepillo circular

El cepillo circular gira para barrer y peinar la lanilla de la alfombra. Mantenga el cepillo circular libre de cabello o hilos a fin de que siga limpiando.

RESOLVIENDO PROBLEMAS

NOTA: Apague el interruptor de corriente y desenchufe el cordón eléctrico antes de hacerle mantenimiento a su aspiradora.

PROBLEMA	CAUSA	SOLUCION
El motor no arranca.	<input type="checkbox"/> Enchufe eléctrico	<input type="checkbox"/> Empuje bien el enchufe dentro del toma corriente.
No limpia la alfombra o el piso.	<input type="checkbox"/> Recipiente para polvo y filtro <input type="checkbox"/> Cepillo circular <input type="checkbox"/> Boquilla de entrada <input type="checkbox"/> Batería con poca carga	<input type="checkbox"/> Vacíe y limpie el recipiente para polvo o cambie el filtro. Sugerencia: Si aspira polvo fino, el recipiente para polvo quizá no parezca lleno pero cualquier sustancia fina tiende a reducir la succión cuando bloquea el paso del aire por el filtro. <input type="checkbox"/> Asegúrese de que el recipiente para polvo esté instalado correctamente en la aspiradora manual. <input type="checkbox"/> Quite cabellos e hilos de las cerdas y del área del capacete. <input type="checkbox"/> Quite la aspiradora manual de la base y revise para ver si hay alguna obstrucción en el paso del aire desde la boquilla del piso hasta la aspiradora manual. Ponga el cuerpo de la aspiradora en posición horizontal y use un destornillador para sacar hacia arriba la obstrucción del paso del aire. Vuelva a acoplar la aspiradora manual, prenda la aspiradora para quitar cualquier basura que haya quedado. Quite la aspiradora manual y vuelva a chequear para ver si hay más obstrucciones. Repita dichos pasos si fuera necesario. <input type="checkbox"/> Cargue la batería
No hay succión.	<input type="checkbox"/> Filtro <input type="checkbox"/> Boquilla de entrada	<input type="checkbox"/> Limpie o cambie el filtro. Sugerencia: Si aspira polvo fino, el recipiente para polvo quizá no parezca lleno pero cualquier sustancia fina tiende a reducir la succión cuando bloquea el paso del aire por el filtro. <input type="checkbox"/> Quite la aspiradora manual de la base y revise para ver si hay alguna obstrucción en el paso del aire desde la boquilla del piso hasta la aspiradora manual. Ponga el cuerpo de la aspiradora en posición horizontal y use un destornillador para sacar hacia arriba la obstrucción del paso del aire. Vuelva a acoplar la aspiradora manual, prenda la aspiradora para quitar cualquier basura que haya quedado. Quite la aspiradora manual y vuelva a chequear para ver si hay más obstrucciones. Repita dichos pasos si fuera necesario.
Ruido en el área del cepillo circular.	<input type="checkbox"/> Cepillo circular	<input type="checkbox"/> Quite el cepillo y limpie la basura del área del cepillo circular. <input type="checkbox"/> Quite cabellos e hilos del cepillo circular.
Cepillo circular no gira.	<input type="checkbox"/> Cepillo circular <input type="checkbox"/> Interruptor de corriente <input type="checkbox"/> Bloqueo incorrecto de la aspiradora de mano	<input type="checkbox"/> Quite el cepillo y limpie la basura del área del cepillo circular. <input type="checkbox"/> Quite cabellos e hilos del cepillo circular. <input type="checkbox"/> El interruptor tiene tres posiciones: apagado (O), succión únicamente (I) y succión con el cepillo circular (III). <input type="checkbox"/> Quite la aspiradora manual de la base. Vuelva a instalarla en la base presionando firmemente hasta que la aspiradora manual se traba en su lugar.
Como hacerle mantenimiento al cepillo circular.	<input type="checkbox"/> Área del cepillo circular <input type="checkbox"/> Correa del cepillo circular	<input type="checkbox"/> Quite el cepillo y limpie la basura del área del cepillo circular. <input type="checkbox"/> Quite cabellos e hilos del cepillo circular. <input type="checkbox"/> No intente lubricar los cojinetes en el cepillo circular. Tienen lubricación permanente de fábrica. <input type="checkbox"/> La correa del cepillo circular es un modelo dentado que no debiera requerir ser cambiado.
La aspiradora sólo funciona por un lapso breve.	<input type="checkbox"/> Baja carga de la batería	<input type="checkbox"/> Cargue la batería
La batería no se carga.	<input type="checkbox"/> Cargador no conectado al tomacorriente	<input type="checkbox"/> Conecte el cargador, revise la luz de carga de la batería. <input type="checkbox"/> Verifique la toma eléctrica. batería.

GARANTÍA LIMITADA DE EUREKA

Qué cubre esta garantía

Se garantiza su aspiradora Eureka contra todos los defectos de material y mano de obra durante el uso doméstico normal por un período de un año. La garantía se otorga solamente al comprador original y a los miembros inmediatos de su hogar. La garantía está sujeta a las siguientes estipulaciones:

Qué no cubre esta garantía

- Partes de la aspiradora que es necesario reemplazar durante el uso normal, tales como bolsas para polvo descartables, filtros, correas motrices, bombillas de luz y cerdas del cepillo giratorio.
- Partes de la aspiradora que es necesario reemplazar durante el uso normal, tales como bolsas para polvo descartables, filtros, correas motrices, bombillas de luz y cerdas del cepillo giratorio.
- Defectos o daños causados por servicios no autorizados o el uso de repuestos que no sean partes Eureka legítimas.

Qué hará Eureka

La compañía Eureka, a opción de la misma, reparará o reemplazará una aspiradora o parte defectuosa que esté cubierta por esta garantía. En cumplimiento de la política de la garantía, **Eureka no reembolsará al consumidor el precio de compra.**

Registro de la garantía

Llene y envíe en devolución la tarjeta de registro de garantía que acompaña a su aspiradora.

Cómo obtener el servicio de garantía

Para obtener el servicio de garantía, debe devolver la aspiradora o la parte de la misma junto con el comprobante de compra a cualquier Centro de Garantía Autorizado de Eureka.

Para conocer la dirección del Centro de Garantía Autorizado de Eureka más cercano o para obtener información sobre el servicio, visite www.eureka.com o llame gratuitamente al:

EE.UU.: 1-800-282-2886

México: 55-5343-4384

Canadá: 1-800-282-2886

www.eureka.com

Si lo prefiere, puede dirigirse por escrito a Electrolux Home Care Products North America, Customer Service, P.O. Box 3900, Peoria, Illinois, 61612, USA. En Canadá, diríjase a Electrolux Home Care Products Canada, 5855 Terry Fox Way, Mississauga, Ontario L5V 3E4.

Si fuera necesario despachar la aspiradora fuera de su comunidad para obtener la reparación por garantía, debe pagar los cargos de despacho al Centro de Garantía Autorizado de Eureka.

El Centro de Garantía pagará los cargos de despacho de devolución. Cuando envíe partes para reparación, incluya el modelo, el tipo y el número de serie que figuran en la placa de datos de la aspiradora.

Limitaciones y exclusiones adicionales

Cualquier garantía implícita relacionada con su compra o uso de la aspiradora, incluida cualquier garantía de comerciabilidad o de aptitud para un propósito determinado se limita a la duración de esta garantía. En algunos estados no se permiten limitaciones a la duración de las garantías implícitas, por lo tanto las limitaciones anteriores pueden no aplicarse en su caso.

Su compensación por el incumplimiento de esta garantía se limita a la compensación descrita anteriormente. Bajo ninguna circunstancia el fabricante será legalmente responsable por los daños y perjuicios consecuentes o incidentales que usted pueda sufrir debido a la compra o uso de esta aspiradora. En algunos estados no se permite la exclusión o limitación de daños y perjuicios consecuentes o incidentales, por lo tanto la limitación o exclusión anterior puede no aplicarse en su caso.

Esta garantía le otorga derechos legales específicos. Usted puede tener además otros derechos que varían de un estado a otro.



For orders in U.S.
Para pedidos en los EE.UU.

PARTS ORDER FORM



For faster service, visit us Online
Para obtener un servicio más rápido,
haga los pedidos por Internet

WWW.EUREKA.COM



By Phone:
Por Teléfono:

1-800-282-2886

HOURS: Call Monday-Friday, 8 am-7:30 pm CST. Saturday and Sunday, 10 am-6:30 pm CST. (Please call the same number for answers to problems or questions in the USA and Canada)

HORARIOS: Llame de lunes a viernes de 8 am a 7:30 pm CST y sábados y domingos de 10 am a 6:30 pm CST. (Llame a este mismo número para consultas o preguntas en EE.UU. y Canadá)

Genuine Eureka Accessories, Bags, Belts and Filters
Accesorios, bolsas, correas y filtros legítimos Eureka

Part No.	Qty.	Price (usd)*	Total
N° de parte	Cant.	Precio (usd)*	Total

FILTER ASSEMBLY	61518	\$2.99				
CONJUNTO DE FILTRO						
FILTER SUPPORT	61508	\$1.99				
SOPORTE DE FILTRO						
CREVICE TOOL	61509	\$2.99				
ACCESORIO PARA RINCONES						

FILTER ASSEMBLY	61518	\$2.99				
CONJUNTO DE FILTRO						
FILTER SUPPORT	61508	\$1.99				
SOPORTE DE FILTRO						
CREVICE TOOL	61509	\$2.99				
ACCESORIO PARA RINCONES						

TOTAL: *prices subject to change without notice	A					
TOTAL: *precios sujetos a modificación sin previo aviso	B					
TAX: (add state tax and local taxes as required by law)	C					
IMPUESTOS: (agregar el impuesto estatal y los impuestos locales según las leyes)	D					
POSTAGE AND HANDLING CHARGE (within USA)						
GASTOS DE ENVÍO (dentro de EE.UU.)						
TOTAL ENCLOSED (A + B + C = D)						
TOTAL INCLUIDO (A + B + C = D)						

Be sure to include your model, type and serial numbers.
These numbers may be found on the rating plate.
Asegúrese de incluir los números de modelo, tipo y serie.
Estos números se encuentran en la placa de datos.

MODEL NUMBER TYPE

SERIAL NUMBER NUMERO DE SERIE

Simply fill out this Order Form. Please be sure to include your phone number.
Llene simplemente este formulario de pedido. Asegúrese de incluir su número telefónico.

SHIP TO: / ENVIAR A:

Name / Nombre

Address / Dirección

City / Ciudad

State / Estado

Zip Code / Código Postal

Telephone (Very Important) / Teléfono (Muy Importante)

ACCT. NUMBER / NUMERO DE CUENTA

EXPIRATION DATE / FECHA DE VENCIMIENTO

VISA MC DC AMEX

Check or money order. Do not send currency.
Cheque o giro postal. No envíe dinero en efectivo.

SIGNATURE (full name as shown on acct.)

FIRMA (nombre completo como aparece en la cuenta)

PAYABLE TO: / PAGADERO A:

Electrolux Home Care Products, Inc.
P.O. Box 3900
Peoria, IL 61612

GARANTIE LIMITEE EUREKA

Couverture de cette garantie

Votre aspirateur Eureka est couvert par une garantie pièces et main d'oeuvre pour un période de un an; ce dans des conditions d'usage domestique normal seulement. La garantie est agréée seulement à l'acheteur original et aux membres de sa famille immédiate. Le garantie est sujette aux dispositions suivantes :

- Les pièces de l'aspirateur qui nécessitent d'être remplacées sous l'utilisation normale, telles que les sacs de poussière jetables, les filtres, les courroies d'entraînement, les ampoules, les poils du cylindre brosseur, les turbines et les nettoyeurs.
- Les dommages ou défauts causés par la négligence, l'abus ou l'utilisation non-conforme au manuel d'utilisateur.
- Les défauts ou les dommages causés par une réparation non autorisée ou l'utilisation d'autres pièces que les pièces authentiques Eureka.

Ce que Eureka fera

Eureka pourra, à sa discrétion, réparer ou remplacer un aspirateur défectueux ou une pièce d'aspirateur défectueuse qui est couvert par sa garantie. Selon les termes de cette garantie,

Eureka ne remboursera pas le prix d'achat du client.

Enregistrement de la garantie

Veillez compléter et retourner la carte d'enregistrement de la garantie venant avec l'aspirateur.

Obtention des services de garantie

Pour obtenir les services de la garantie, vous devez retourner l'aspirateur ou la pièce de l'aspirateur accompagné de votre "preuve d'achat" à un centre de garantie agréé Eureka.

Pour le centre de garantie agréé Eureka le plus près de chez vous ou pour des informations sur le service, visitez notre site Web au www.eureka.com ou téléphonez sans frais le :

ETATS-UNIS : 1-800-282-2886

Mexique : 55-5343-4384

Canada : 1-800-ww.eureka.com

www.eureka.com

Si vous préférez, vous pouvez écrire à Electrolux Home Care Products North America, Service Division, C.P. 3900, Peoria, Illinois, 61612, Etats-Unis Au Canada, écrivez à Electrolux Home Care Products Canada, 5855 Terry Fox Way, Mississauga, Ontario, L5V 3E4

S'il est nécessaire d'envoyer l'aspirateur à l'extérieur de votre communauté pour obtenir des services de réparations, vous devez payer les frais de transport au centre de garantie agréé Eureka. Les frais de transport de retour seront payés par le centre de garantie. Lors du retour des pièces pour la réparation, veuillez inclure le modèle, le type et le numéro de série de la plaque signalétique sur l'aspirateur. Restrictions et exclusions supplémentaires

Toute garantie pouvant être implicite concernant votre achat ou l'utilisation de votre aspirateur, incluant toute garantie de qualité marchande ou toute garantie pour l'adaptation à un usage particulier est limitée à la durée de cette garantie. Quelques Etats ne permettent pas de restrictions sur la durée d'une garantie implicite, les restrictions ci-hautes pourraient alors ne pas s'appliquer.

Vos recours pour non-respect de cette garantie sont formellement limités aux conditions décrites ci-haut. En aucun cas le fabricant ne sera tenu responsable pour tous dommages, corrélés ou indirects qui pourraient survenir relativement à votre achat ou l'utilisation de l'aspirateur. Certains Etats n'autorisent pas l'exclusion ou la limitation de dommages corrélés ou indirects, ainsi les limitations et les exclusions ci-dessus pourraient ne pas s'appliquer. Cette garantie vous donne des droits légaux particuliers. Vous pouvez également avoir d'autres droits, qui pourraient différer selon l'Etat.

RÉSOLUTION DES PROBLÈMES

REMARQUE : Mettez l'aspirateur sur arrêt et débranchez-le cordon électrique avant tout travail d'entretien.

PROBLÈME :	CAUSE :	SOLUTION :
Le moteur ne marche pas.	<input type="checkbox"/> La fiche électrique <input type="checkbox"/> Le collecteur à poussière et le filtre	<input type="checkbox"/> Insérer bien la fiche dans la prise. <input type="checkbox"/> Vidier le collecteur à poussière et nettoyer ou remplacer le filtre. Conseils : Si vous aspirez de la poussière fine, les filtres peuvent ne pas avoir l'air sale mais une tendance à réduire l'aspiration quand elle bloque le débit d'air à travers le filtre. <input type="checkbox"/> S'assurer que le collecteur à poussière est correctement placé dans l'aspirateur portable. <input type="checkbox"/> Enlever les cheveux et les fils des poils du rouleau-brosse et de la zone de la capsule. <input type="checkbox"/> Retirer l'aspirateur portable de la base et chercher un blocage éventuel dans le passage de l'air du suceur du parquet à l'aspirateur portable. Poser à plat l'aspirateur sur le sol et utiliser une tournevis pour soulever le blocage et l'enlever du passage de l'air. Rattacher l'aspirateur portable ; remettre l'appareil en marche pour enlever tous débris qui peuvent rester dans l'appareil. Retirer l'aspirateur portable pour révéler pour des blocages supplémentaires. Répéter les étapes ci-dessus si nécessaire. <input type="checkbox"/> Pile déchargée
L'aspirateur ne nettoie pas la moquette ou le plancher.	<input type="checkbox"/> Le collecteur à poussière <input type="checkbox"/> Le rouleau-brosse <input type="checkbox"/> Le suceur	<input type="checkbox"/> Nettoyer ou remplacer le filtre. Conseils : Si vous n'avez pas de la poussière fine, les filtres peuvent ne pas avoir l'air sale mais une tendance à réduire le débit d'air à travers le filtre. <input type="checkbox"/> Retirer l'aspirateur portable de la base et chercher un blocage éventuel dans le passage de l'air du suceur du parquet à l'aspirateur portable. Poser à plat l'aspirateur sur le sol et utiliser une tournevis pour soulever le blocage et l'enlever du passage de l'air. Rattacher l'aspirateur portable ; remettre l'appareil en marche pour enlever tous débris qui peuvent rester dans l'appareil. Retirer l'aspirateur portable pour révéler pour des blocages supplémentaires. Répéter les étapes ci-dessus si nécessaire.
Manque d'aspiration.	<input type="checkbox"/> Le filtre <input type="checkbox"/> Le suceur	<input type="checkbox"/> Retirer l'aspirateur portable de la base et chercher un blocage éventuel dans le passage de l'air du suceur du parquet à l'aspirateur portable. Poser à plat l'aspirateur sur le sol et utiliser une tournevis pour soulever le blocage et l'enlever du passage de l'air. Rattacher l'aspirateur portable ; remettre l'appareil en marche pour enlever tous débris qui peuvent rester dans l'appareil. Retirer l'aspirateur portable pour révéler pour des blocages supplémentaires. Répéter les étapes ci-dessus si nécessaire.
Un bruit qui émane de la zone du rouleau-brosse.	<input type="checkbox"/> Le rouleau-brosse	<input type="checkbox"/> Enlever et nettoyer les débris de la zone du rouleau-brosse. <input type="checkbox"/> Enlever les cheveux et les fils du rouleau-brosse.
Le rouleau-brosse ne tourne pas.	<input type="checkbox"/> Le rouleau-brosse <input type="checkbox"/> L'interrupteur <input type="checkbox"/> L'aspirateur portable n'est pas bien fixé.	<input type="checkbox"/> Enlever et nettoyer les débris de la zone du rouleau-brosse. <input type="checkbox"/> Enlever les cheveux et les fils du rouleau-brosse. <input type="checkbox"/> L'interrupteur a trois positions ; arrêt (O), aspiration (I) et aspiration avec le rouleau-brosse (III). Retirer l'aspirateur portable de la base. Le réinstaller dans la base en poussant avec fermeté jusqu'à ce qu'il soit bien bloqué en place.
L'entretien du rouleau-brosse	<input type="checkbox"/> La zone du rouleau-brosse	<input type="checkbox"/> Enlever et nettoyer les débris de la zone du rouleau-brosse. <input type="checkbox"/> Enlever les cheveux et les fils du rouleau-brosse. <input type="checkbox"/> Ne pas tenter de lubrifier les paliers qui se trouvent dans le rouleau-brosse. Ils ont été lubrifiés à vie à l'usine. <input type="checkbox"/> La courroie du rouleau-brosse est un type à dent d'engrenage qui ne demanderait pas d'être remplacée.
L'aspirateur ne fonctionne que brièvement	<input type="checkbox"/> Charge de la pile trop faible	<input type="checkbox"/> Chargez la pile
La pile ne charge pas	<input type="checkbox"/> Chargeur non connecté au secteur	<input type="checkbox"/> Branchez le chargeur, assurez-vous que le voyant de charge est allumé. <input type="checkbox"/> Vérifiez la prise de courant.

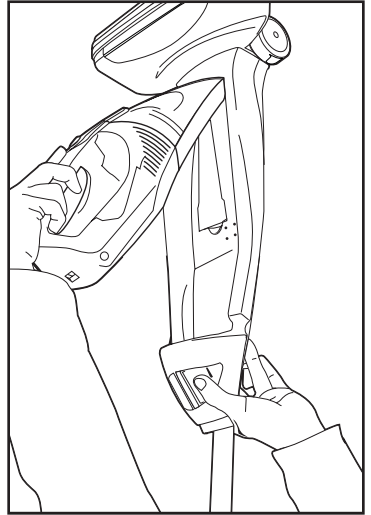
Entretien

Les instructions de ce livret vous serviront de guide pour l'entretien de routine. Pour permettre à l'aspirateur d'opérer efficacement, videz le collecteur à poussière et nettoyez le filtre après chaque usage.

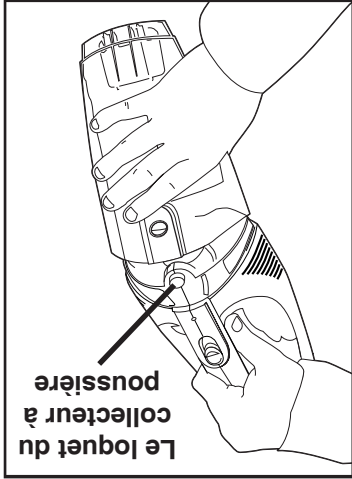
Vider le collecteur à poussière

ATTENTION : Éteignez l'appareil en appuyant sur l'interrupteur.

1. Retirez l'aspirateur portable de la base de l'appareil.

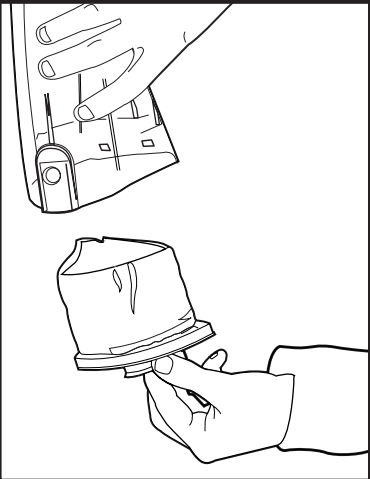


2. Appuyez sur le loquet du collecteur à poussière et retirez le collecteur à poussière du manche.

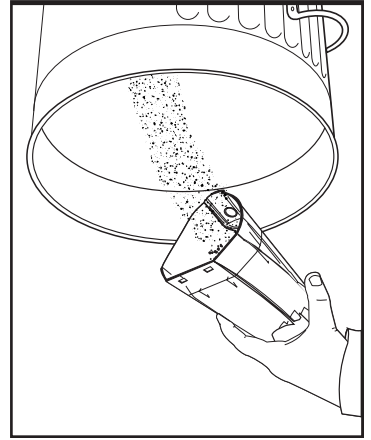


Le loquet du collecteur à poussière

3. Enlevez le filtre du collecteur à poussière. Secouez et brossez la poussière et la saleté du filtre.



4. Videz en secouant le contenu du collecteur à poussière dans une poubelle.



5. Remettez le filtre sec dans le collecteur à poussière et rassemblez en suivant les indications ci-dessus dans le sens inverse.

REMARQUE : Remplacez un filtre sale ou déchiré.

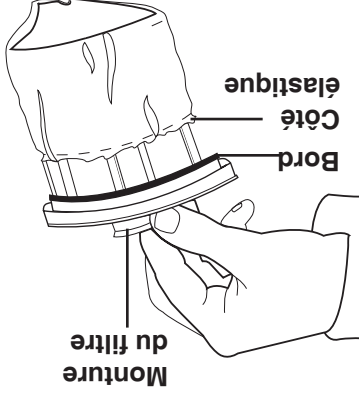
6. Le collecteur à poussière peut être nettoyé avec de l'eau tiède et un détergent doux. Séchez-le en le poussant dans le lave-vaisselle.

Nettoyage et remplacement du filtre du collecteur à poussière, PN 62406

Retirez le filtre de sa monture. Si vous le désirez, lavez le filtre à la main dans de l'eau tiède en utilisant un détergent doux.

REMARQUE : Séchez complètement à l'air avant de l'utiliser de nouveau.

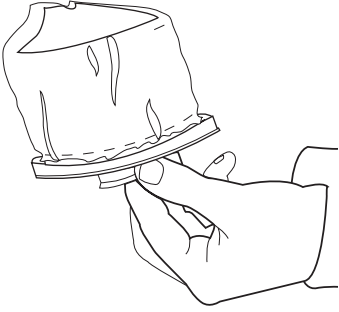
Pour mettre le filtre sur la monture, étirez le côté élastique du filtre pour le placer sur le bord de la monture du filtre.



Monture du filtre

Bord élastique

Installation correcte

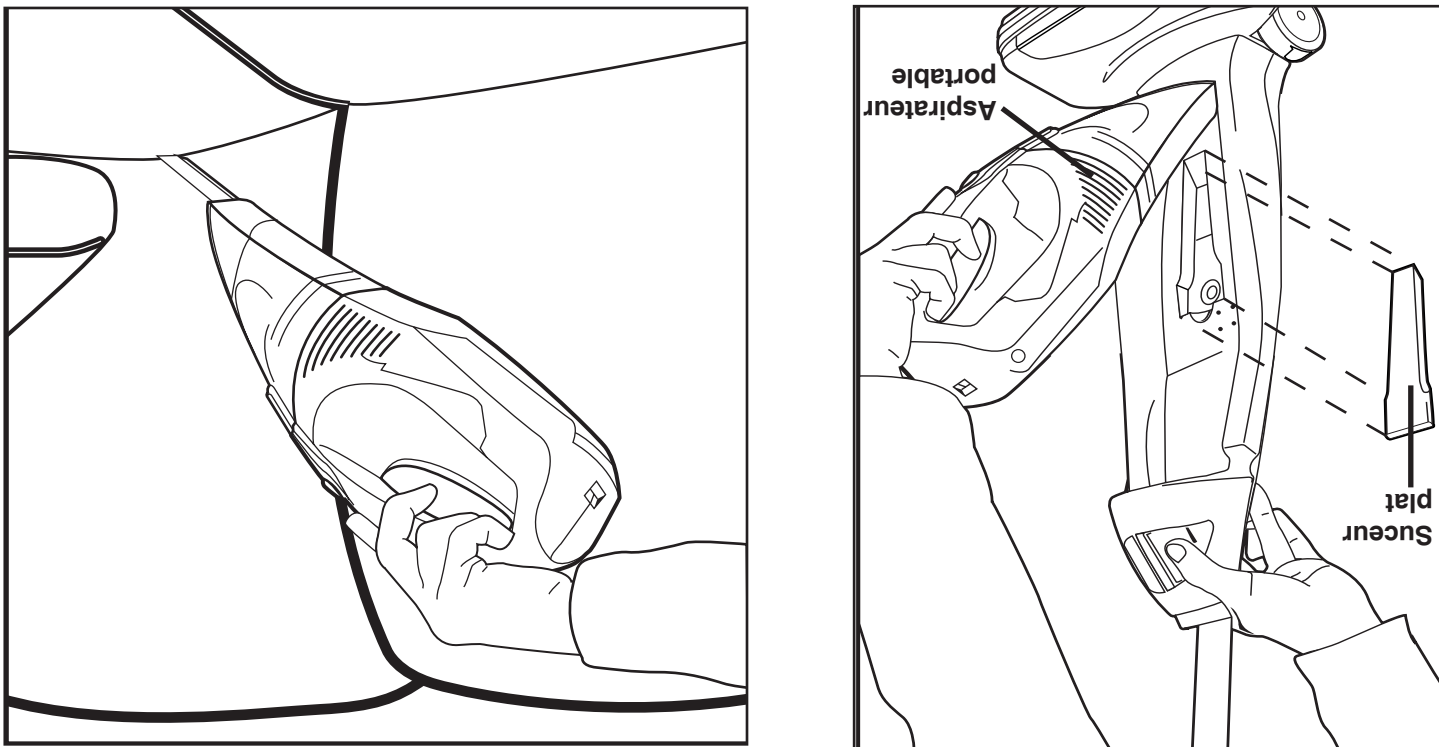


REMARQUE : Si le filtre n'est pas correctement installé, la saleté et la poussière traverseront le filtre et cela peut endommager le moteur de l'aspirateur.

Nettoyer le rouleau-brosse

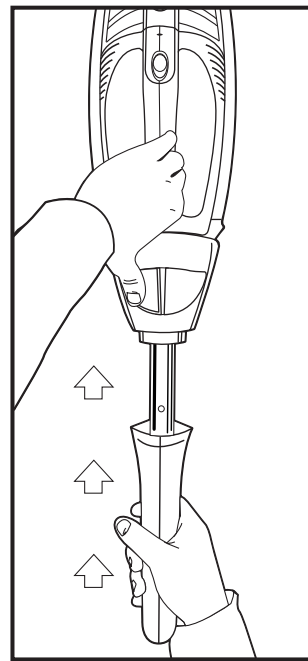
Le rouleau-brosse tourne et peigne la laine de la moquette. Gardez le rouleau-brosse libre des cheveux et des fils afin qu'il continue à nettoyer.

Comment utiliser les accessoires

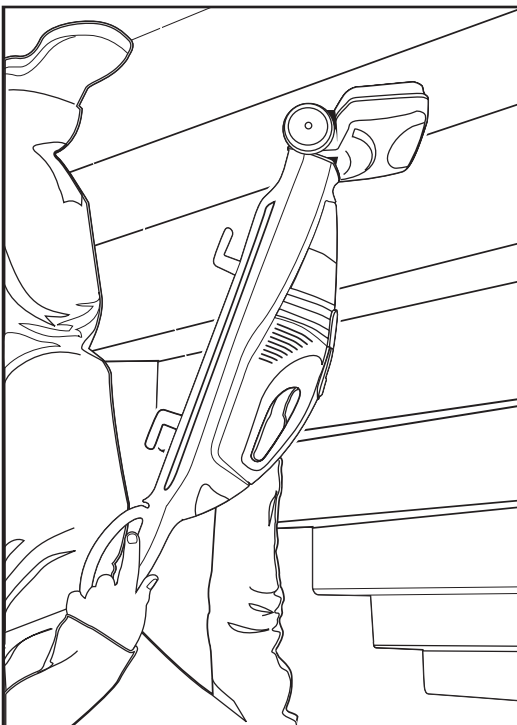


1. Pour détacher l'aspirateur portable de la base, appuyez sur le bouton de déclenchement, inclinez l'aspirateur portable et retirez-le de la base tel que démontré ci-dessus.

2. Le suceur plat est rangé dans la base derrière l'aspirateur portable (voir fig. 1). Retirez le suceur plat de la base et mettez le bout large dans le bout du suceur de l'aspirateur portable. (Voir dessin ci-dessus.) Le suceur plat est utilisé pour nettoyer les coins, les plinthes, entre les coussins.



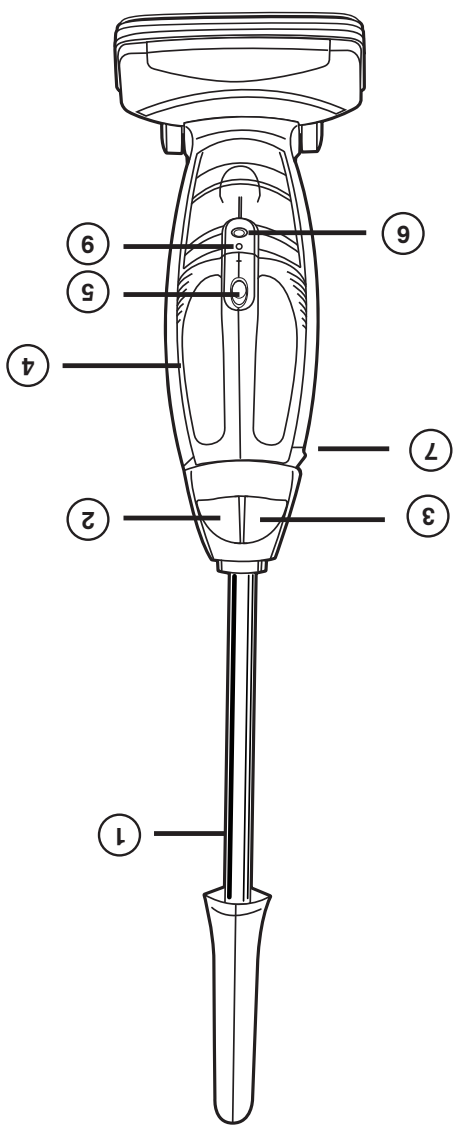
3. Pour l'utiliser en vue de nettoyer les escaliers, faites entrer le manche et poussez le manche dans l'appareil. Voir dessin ci-dessus.



ATTENTION : User de plus de prudence lors du nettoyage des escaliers.

Mode d'emploi

ATTENTION : Ne branchez pas l'aspirateur jusqu'à ce que vous compreniez tous les boutons de contrôle et toutes les pièces.



1. **Le manche télescopique.** Le manche a deux positions : haut et bas.

2. **Le bouton de déclenchement du manche.** Appuyez sur ce bouton quand vous voulez monter ou baisser le manche.

3. **Le bouton de déclenchement de l'aspirateur portable.** Appuyez sur ce bouton pour libérer l'aspirateur portable du corps.

4. **Le suceur plat.** Le suceur plat est rangé dans le corps de l'aspirateur derrière le collecteur à poussière.

5. **L'interrupteur à trois positions.** O = Arrêt, I = Aspiration et IIIII = Aspiration avec rouleau-brosse.

6. **Le bouton de déclenchement du collecteur à poussière.** Appuyez sur ce bouton pour libérer le collecteur à poussière de l'aspirateur portable.

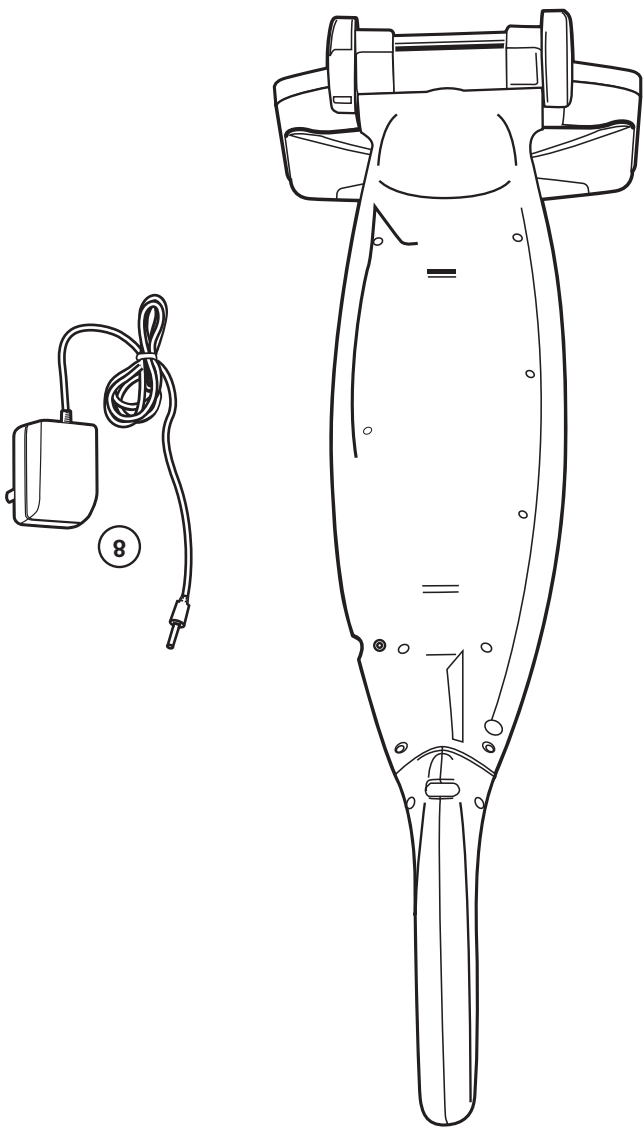
Charger les Piles

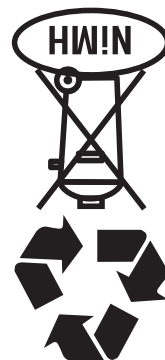
Note : vous devez charger les piles pendant 14 à 16 heures avant la première utilisation. L'appareil peut se décharger lors de l'expédition. La prise du chargeur peut devenir chaude. Toutefois, il ne faut pas s'en inquiéter.

Remarque : Si la pile est complètement déchargée, il est possible que le voyant de charge ne s'allume pas tant que la charge dans les piles n'est pas suffisante pour fournir une alimentation.

Vous pouvez laisser l'aspirateur en charge permanente de manière à ce qu'il soit toujours prêt à l'utilisation. Ne le déchargez pas s'il doit rester inutilisé plusieurs semaines d'affilée.

7. **Entrée du chargeur.** To charge unit, insert Charger/Plug into cleaner.
8. **Connecteur du chargeur.** Après avoir connecté le chargeur à l'aspirateur, branchez-le dans une prise de courant de 120 volts pour recharger l'appareil.
9. **Voyant de charge.** Une lumière s'allumera lorsque l'unité est en mode chargement.





Renseignements importants sur l'évacuation de la pile – Appeler le 1-800-822-8837

Piles au nickel-cadmium

L'aspirateur contient de piles nickel métal hydrure (NiMH). Afin de protéger notre environnement, jetez ou éliminez l'aspirateur de manière appropriée lorsque les piles ne sont plus rechargeables. Les décharges municipales n'accepteront pas d'éliminer des piles qui fonctionnent toujours. Retirez les piles en coupant les fils du connecteur un par un avant de recycler l'appareil. Ne jetez pas les piles avec vos ordures ménagères. Retirez les piles et apportez-les ou envoyez-les à l'atelier autorisé pour l'application de la garantie Eureka le plus près de chez vous.

Pour obtenir l'adresse du centre d'entretien-dépannage d'usine le plus proche, appelez le : 1-800-282-2886.
ATTENTION : ne court-circuitiez pas l'appareil et ne le jetez pas au feu.

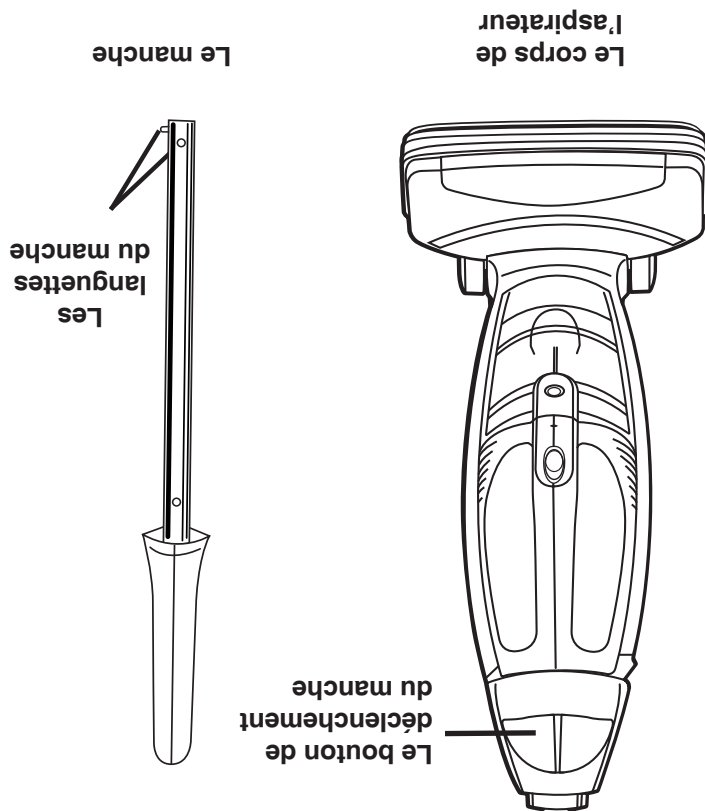
Assemblage

ATTENTION : Assemblez l'aspirateur complètement avant de le brancher à une prise électrique.

ATTENTION : Pièces mobiles : Eloignez-vous du rouleau-brosse quand vous branchez l'aspirateur. Assurez-vous que le rouleau-brosse soit éloigné de tout ce qui bouge quand vous branchez l'appareil.

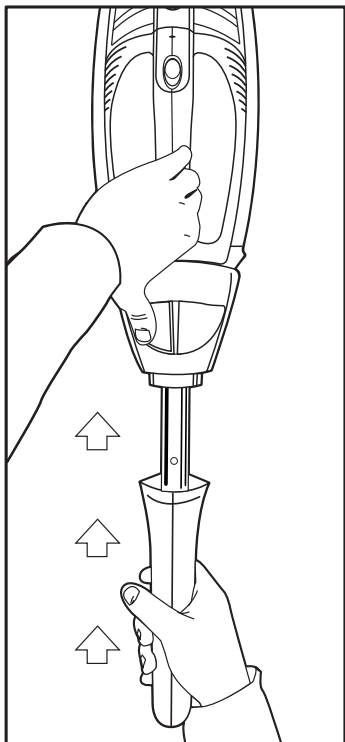
REMARQUE : Les caractéristiques peuvent varier selon le modèle, cependant le mode d'assemblage reste le même.

Étape A Déballer le corps de l'aspirateur et le manche



1. Retirez de la boîte le corps de l'aspirateur et le manche. Repérez le bouton de déclenchement du manche sur le corps et les languettes du manche sur le manche.

Étape B Attacher le manche



2. Placez le manche au dessus du corps de l'aspirateur. Alignez les languettes du manche avec les rainures dans l'ouverture sur le haut du corps de l'aspirateur.

3. Appuyez sur le bouton de déclenchement du manche tel que montré ci-dessus. Glissez le manche dans l'appareil jusqu'à ce qu'il se mette en place après le dé clic.

CONSEILS DE SÉCURITÉ

Lors de l'utilisation d'un appareil électrique, quelques précautions élémentaires doivent être observées, incluant les suivantes :

LISEZ TOUTES LES INSTRUCTIONS AVANT D'UTILISER

VOTRE ASPIRATEUR.

AVERTISSEMENT

Pour réduire le risque d'incendie, d'électrocution ou de lésions :

- Ne pas utiliser en plein air ou sur des surfaces humides.
- Ne pas faire fonctionner l'aspirateur ou le chargeur s'il a été endommagé de quelque façon que ce soit. Si l'aspirateur ne fonctionne pas normalement, s'il a fait une chute, s'il est endommagé, s'il a été laissé en plein air ou s'il a été immergé dans l'eau, le retourner à un centre de service après-vente.
- Pour éviter le surchauffage ou des dommages à l'unité ou aux piles, n'utilisez pas l'aspirateur lorsque celui-ci est en mode chargement.
- Ne pas autoriser qu'on s'en serve comme d'un jouet. Il faut se montrer très attentif quand l'appareil est utilisé par des enfants ou à proximité de ceux-ci.
- N'utiliser que de la façon décrite dans le présent manuel.
- Utilisez uniquement le chargeur fourni pour la recharge; no de modèle KA12D150020033U pour 120 volts.
- Ne pas tirer ou transporter le chargeur par le cordon, ne pas utiliser le cordon en guise de poignée, ne pas refermer une porte sur le cordon et ne pas tirer le cordon autour d'arêtes tranchantes ou de coins. Tenez le cordon à l'écart des surfaces chauffées.
- Ne pas utiliser de rallonge ou de prise ayant une intensité de courant admissible inadéquate.
- Ne pas débrancher le cordon. Pour débrancher, saisissez le chargeur et non sur le cordon.
- Ne pas manipuler le chargeur ou l'aspirateur avec les mains mouillées.
- NE PAS UTILISER OU INCINÉRER LES PILES, CELLES-CI ÉTANT SUSCEPTIBLES D'EXPLOSER À HAUTE TEMPÉRATURE.
- Les cellules des piles peuvent fuir dans des conditions d'utilisation ou de température extrêmes. Si le liquide entre en contact avec la peau (1), lavez rapidement à l'eau savonneuse ou (2) neutralisez avec un acide doux tel du jus de citron ou du vinaigre. Si le liquide entre en contact avec les yeux, les baigner immédiatement avec de l'eau propre pendant un minimum de 10 minutes. Consulter un médecin.
- La borne de l'aspirateur doit être propre et exempt d'objets. Bien que le bornier ne présente aucun risque d'électrocution, une brûlure peut se produire si l'on introduit un objet métallique aux alentours du bornier.
- Le présent aspirateur engendre une aspiration. Maintenir la chevelure, les vêtements, les doigts et toutes les parties du corps à l'écart des ouvertures et des pièces en mouvement.
- Ne rien ramasser qui soit en train de brûler ou de fumer, telles des cigarettes, des allumettes ou des cendres chaudes.
- Ne pas utiliser s'il n'y a pas de filtre en place. Lors des interventions d'entretien-dépannage de l'appareil, ne jamais introduire les doigts ou de quelconques objets dans le compartiment du ventilateur au cas où l'appareil se mettrait spontanément en service.
- Faire preuve d'un surcroît de prudence quand on nettoie des escaliers.
- Ne pas aspirer des liquides inflammables ou combustibles, telle l'essence, ou utiliser dans des lieux où de tels liquides sont présents.
- Rechargez l'unité à l'intérieur, dans un endroit frais, sec et à l'abri des intempéries afin de prévenir les décharges électriques ou l'endommagement de l'appareil.
- Veiller à ce que l'aire de travail soit bien éclairée.
- Débrancher les appareils électriques avant d'y passer l'aspirateur.

CONSERVEZ CES INSTRUCTIONS

Table des matières

Conseils de sécurité.....	2
Renseignements généraux.....	2
Disposition de batterie	3
Assemblage	3
Mode d'emploi.....	4
Accessoires.....	5
Rouleau-brosse.....	6
Collecteur à poussière	6
Filtre	6
Résolution des problèmes	7
Garantie	8
Bon de commande.....	9

Généralités

L'aspirateur sans fil est ce qu'il vous faut pour les petits nettoyage rapides et faciles. Servez-vous de cet aspirateur pour les petites tâches plutôt que d'utiliser un aspirateur de plus grande taille.

Chargez 14 à 16 heures avant la première utilisation.
Les piles peuvent se décharger en transit.

Il vaut mieux charger les piles quand la température est comprise entre 0°C (32°F) et 40°C (104°F). Une température hors de cette plage pourra endommager les piles. Pendant le chargement, le chargeur peut devenir chaud au toucher. Cela est normal et n'est pas un signe de problème.

Renseignements pour l'entretien

Les instructions contenues dans ce livret sont un guide en ce qui concerne l'entretien de routine. Pour des renseignements supplémentaires en ce qui concerne l'entretien, appelez notre station de garantie Eureka.

agrée.

E.-U. : 1-800-282-2886

Mexique : (55) 5343-4384

Canada : 1-800-282-2886

www.eureka.com

Si vous préférez, vous pouvez écrire à Electrolux Home

Care Products North America, Customer Service,

P.O. Box 3900, Peoria, Illinois, 61612, États-Unis Au

Canada, écrivez à Electrolux Home Care Products

Canada, 5855 Terry Fox Way, Mississauga, Ontario L5V

3E4. Consultez la garantie Eureka en ce qui concerne

l'ensemble des renseignements d'entretien.

NE PAS GRAISSER. Le moteur est lubrifié et scellé de façon permanente.



IMPORTANT

Ne rendez pas cet appareil au magasin. Appelez le 1-800-282-2886 du lundi au vendredi, de 8 heures à 19 heures 30, heure normale du Centre et de 10 heures à 18 heures 30 le samedi ou visitez notre site Web, www.eureka.com pour les situations ci-dessous :

- problèmes d'assemblage
 - remplacement des pièces cassées ou manquantes
 - pour commander des pièces et des accessoires de rechange
 - pour savoir l'adresse de l'atelier autorisé pour l'application de la garantie Eureka le plus proche de votre maison
- * En Mexico llame al (55) 5343-4384

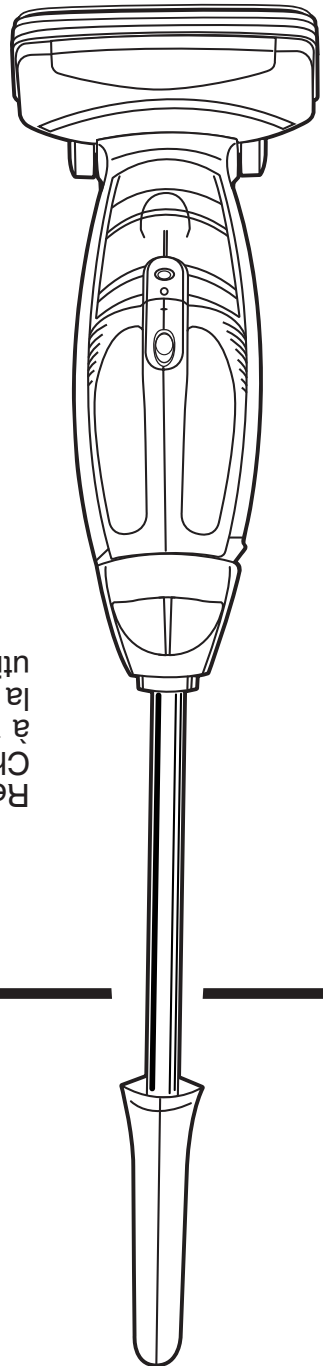
www.eureka.com

VEUILLEZ CONSERVER CES NUMÉROS ET CE MANUEL

Nous vous suggérons d'inscrire les numéros de modèle, de type et de série ci-dessous. Ils se trouvent sur la plaque signalétique, argent, de votre appareil. Pour obtenir un service après-vente rapide et complet, reportez-vous toujours à ces numéros :

Modèle et type _____
 N° de série _____

Il est aussi très important de garder votre reçu comme preuve pour la date d'achat.



Remarque :
 Chargez 14
 à 16 avant
 la première
 utilisation.

Free Manuals Download Website

<http://myh66.com>

<http://usermanuals.us>

<http://www.somanuals.com>

<http://www.4manuals.cc>

<http://www.manual-lib.com>

<http://www.404manual.com>

<http://www.luxmanual.com>

<http://aubethermostatmanual.com>

Golf course search by state

<http://golfingnear.com>

Email search by domain

<http://emailbydomain.com>

Auto manuals search

<http://auto.somanuals.com>

TV manuals search

<http://tv.somanuals.com>