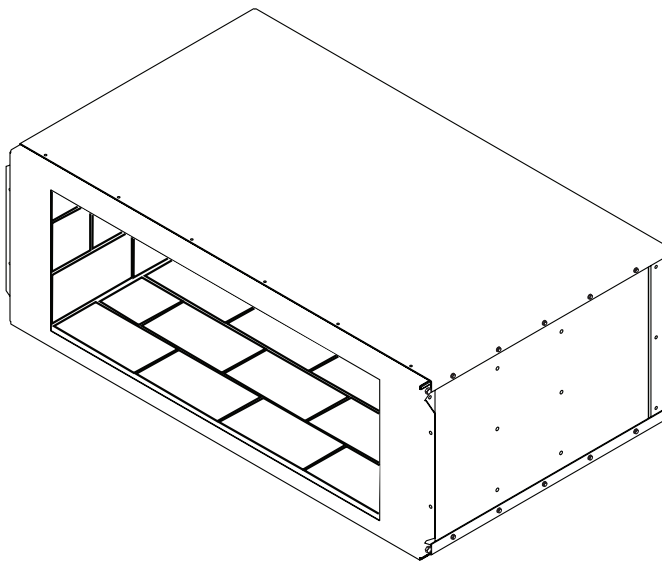




**FMI PRODUCTS, LLC**  
**INSTALLATION INSTRUCTIONS FOR**  
**UNDER HEARTH WOOD NOOK**  
**FIREPLACE ACCESSORY**



**MODELS DHS-36, DHS-42, DHS-50, DHS-36I, DHS-42I AND DHS-50I**

**⚠ WARNING: Improper installation, adjustment, alteration, service or maintenance can cause injury or property damage. Refer to these instructions for correct installation procedures. For assistance or additional information consult a qualified installer and/or service agency.**

**⚠ WARNING: This is not a fireplace. It is not intended for burning wood.**

**This appliance may be installed in an aftermarket\*, permanently located, manufactured (mobile) home, where not prohibited by local codes.**

**\*Aftermarket: Completion of sale, not for purpose of resale from manufacturer**

Save this manual for future reference

Download from [Www.Somanuals.com](http://www.Somanuals.com). All Manuals Search And Download.

# TABLE OF CONTENTS

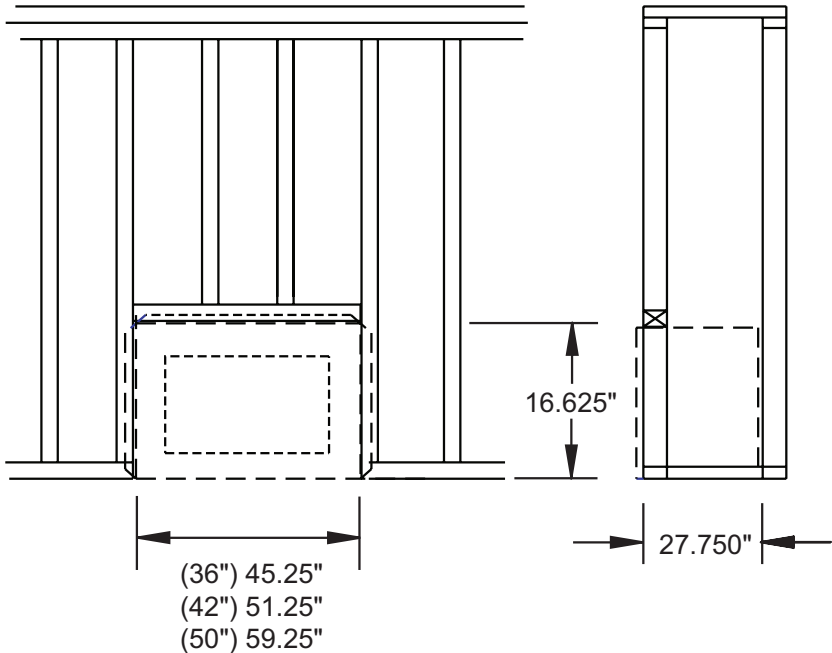
Introduction.....	2	Grouting Instructions .....	7
Framing and Installation .....	2	Warranty.....	Back Cover
Brick Installation .....	3		

## INTRODUCTION

The masonry wood nook is a hearth accessory intended to compliment the masonry series woodburning fireplaces with firebrick liner.

## FRAMING AND INSTALLATION

1. Frame opening for fireplace using dimensions shown in Figure 1.
2. Set wood nook directly in front of opening and slide unit back until the nailing flanges touch side framing.
3. Check level of wood nook and shim with sheet metal if necessary.



*Figure 1 - Minimum Installation Dimensions*

## BRICK INSTALLATION

**IMPORTANT:** Installation of brick should be done before wood nook is placed in a permanent location. Top panel and front face must be removed prior to installing bricks (see Figure 2). Bricks are packaged in three separate boxes. These boxes are labeled by sections of firebox.

### HDS-36

Box # 1 - Left and Right Panel

Box # 2 - Bottom Panel

Box # 5 - Rear Panel

### DHS-42

Box # 1 - Left and Right Panel

Box # 3 - Bottom Panel

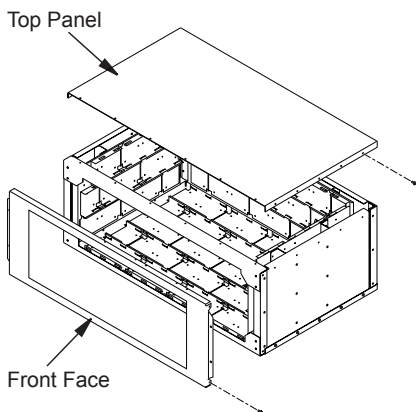
Box # 6 - Rear Panel

### DHS-50

Box # 1 - Left and Right Panel

Box # 4 - Bottom Panel

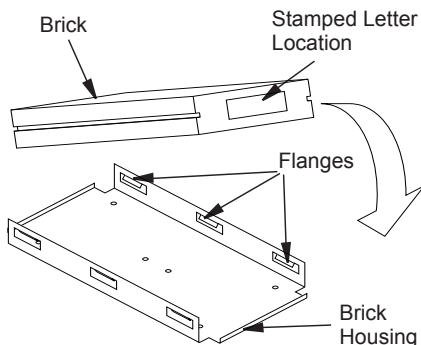
Box # 7 - Rear Panel



**Figure 2 - Panel and Front Face Removal**

Each brick housing is stamped with a letter (full size bricks are not stamped). These will help identify brick when installing. It is important to install these bricks exactly as instructed. Install bricks one section at a time starting with hearth (bottom) panel followed by rear panel and lastly sides panel (see Figure 3, Figure 4, page 4, or Figure 5, page 5, depending on your model). It is important to install bricks in this sequence.

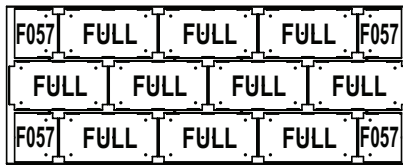
Press Brick firmly into brick housing until it snaps. Groove line on side of brick will come in contact with flange on brick housing. This secures brick into housing (see Figure 3).



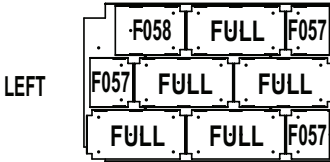
**Figure 3 - Installing Brick into Housing**

# BRICK INSTALLATION

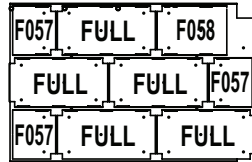
Continued



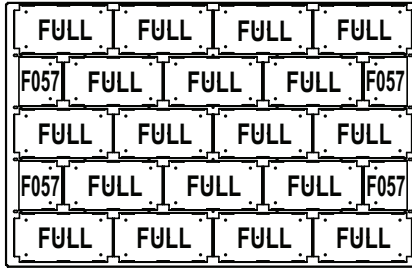
REAR



LEFT



RIGHT



BOTTOM

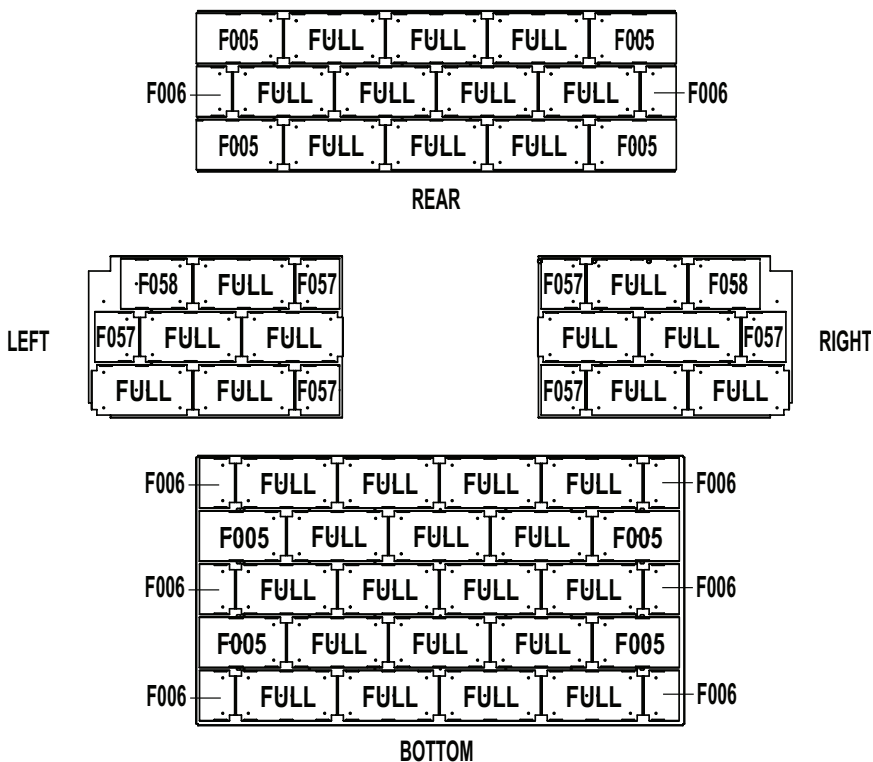
REAR PANEL			LEFT AND RIGHT PANEL			BOTTOM PANEL		
RED	IVORY	QTY	RED	IVORY	QTY	RED	IVORY	QTY
FULL (112140-01)	FULL (112140-05)	10	FULL (112140-01)	FULL (112140-05)	5	FULL (112140-01)	FULL (112140-05)	19*
F057R	F057W	4	F057R	F057W	3	F057R	F057W	4
			F058R	F058W	1			

\*Includes extra brick

Figure 4 - Brick Placement Chart for DHS-36

# BRICK INSTALLATION

Continued



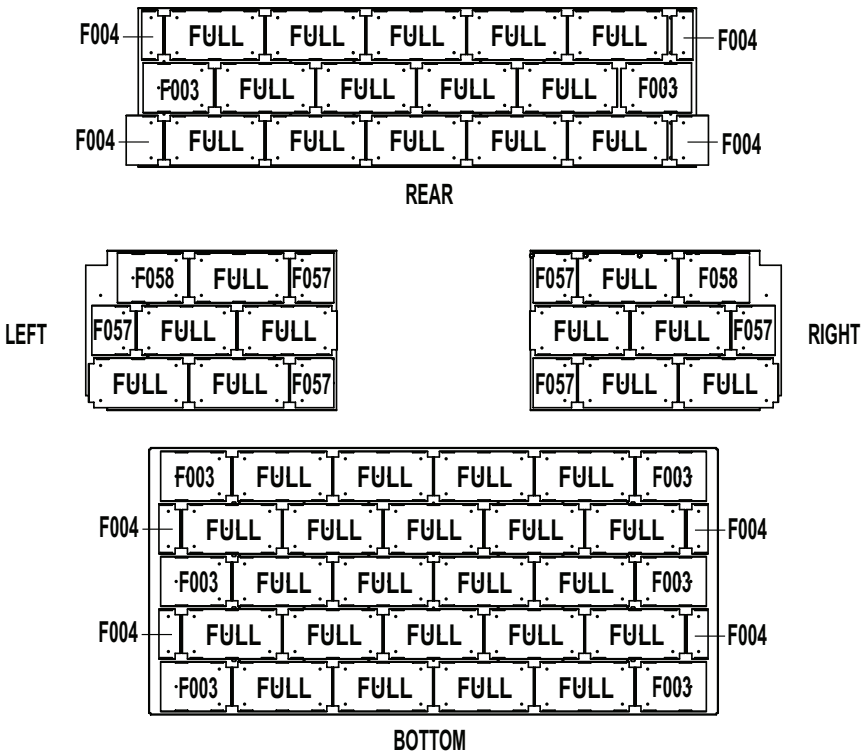
REAR PANEL			LEFT AND RIGHT PANEL			BOTTOM PANEL		
RED	IVORY	QTY	RED	IVORY	QTY	RED	IVORY	QTY
FULL (112140-01)	FULL (112140-05)	10	FULL (112140-01)	FULL (112140-05)	5	FULL (112140-01)	FULL (112140-05)	19*
F005R	F005W	4	F057R	F057W	3	F005R	F005W	4
F006R	F006W	2	F058R	F058W	1	F006R	F006W	6

\*Includes extra brick

Figure 5 - Brick Placement Chart for DHS-42

# BRICK INSTALLATION

Continued



REAR PANEL			LEFT AND RIGHT PANEL			BOTTOM PANEL		
RED	IVORY	QTY	RED	IVORY	QTY	RED	IVORY	QTY
FULL (112140-01)	FULL (112140-05)	14	FULL (112140-01)	FULL (112140-05)	5	FULL (112140-01)	FULL (112140-05)	22*
F003R	F003W	2	F057R	F057W	3	F003R	F003W	6
F004R	F004W	4	F058R	F058W	1	F004R	F004W	4

\*Includes extra brick

Figure 6 - Brick Placement Chart for DHS-50

# GROUTING INSTRUCTIONS

## Material Provided:

Part No.	Description	Qty.
117213-01	Bag, Cement 9 pounds	2
117215-01	Bag, Sand 9 pounds	2

## Materials Required:

(Available at a home improvement or masonry store)

- Piping (grout) bag
- Joints striker
- Heavy duty mixing bucket
- Trowel

1. In a heavy duty mixing bucket, pour in seven (7) cups water then add 4.5 lbs (half of one bag provided) of sand and 4.5 lbs of cement. Mix together well using power drill with mixing wand attachment.
2. The overall length of piping bag should be about 16". If bag is longer than 16" do not fill piping bag all the way. This will make the bag easier to handle. Put 2 to 3 cups of grout mixture into piping bag making sure smaller opening is downward and over a moist towel to avoid spilling. Place a wet towel over bucket making sure it is directly on surface of grout mixture. This will keep mixture moist and not dry out before use.
3. Moisten brick surface with damp sponge or spray bottle just prior to application. when bricks are wet, any excess grout mixture that might have gotten onto the brick will easily wipe off.
4. Begin grouting by first doing a "filler pass". This is done by filling the joint about 3/4 full with the grout mixture. It is important to work with 6 bricks at a time so that the grout doesn't set up before striking.
5. Next complete "finish pass" around 6 bricks with filler pass. This is done by slowly filling in remainder of joint with a thick amount of grout mixture. Mixture should be a little higher than brick surface.

6. Using a trowel, remove excess grout mixture by moving trowel in the direction of the joint. Grout mixture in joint should now be flush with brick surface.
7. Using a joint striker, force grout mixture into joint an sweep back and forth until grout is smooth and round. If grout becomes too shallow add more grout mixture with piping bag and strike again.
8. Continue procedure around each group of 6 bricks until an entire panel is finished.
9. Using trowel, scrape in direction of joints to remove any grout that may have collected around bricks during striking. If desired, take a moist sponge and lightly sweep over bricks to remove any grout that may have gotten on the bricks. DO NOT PRESS HARD OR RUB IN A CIRCULAR MOTION. This will press grout into brick and turn brick a different color.



**Figure 7 - Grouting**

# WARRANTY

## KEEP THIS WARRANTY

Model (located on product or identification tag) \_\_\_\_\_

Serial No. (located on product or identification tag) \_\_\_\_\_

Date Purchased \_\_\_\_\_

Keep receipt for warranty verification.

Always specify model and serial numbers when communicating with the factory.

The only warranty applicable is our standard written warranty. We make no other warranty, expressed or implied.

### LIMITED WARRANTY

FMI PRODUCTS, LLC warrants this product to be free from defects for a lifetime, provided that the product has been properly installed, maintained and operated in accordance with FMI PRODUCTS, LLC's warnings and instructions.

To make a claim under this warranty the bill of sale must be presented.

This warranty is extended only to the original retail purchaser. This warranty covers the cost of part(s) required to restore this product to proper operating condition and an allowance for labor when provided by a FMI PRODUCTS, LLC Authorized Service Center or a provider approved by FMI PRODUCTS, LLC. Warranty parts must be obtained through authorized dealers of this product and/or FMI PRODUCTS, LLC who will provide original factory replacement parts. Failure to use original factory replacement parts voids this warranty. This product must be installed by a qualified installer in accordance with all local codes and instructions furnished with the unit.

This warranty does not apply to parts that are not in original condition because of normal wear and tear, or parts that fail or become damaged as a result of misuse, accidents, lack of proper maintenance or defects caused by improper installation. Travel, diagnostic cost, labor, transportation and any and all such other costs related to repair will be the responsibility of the owner.

TO THE FULL EXTENT ALLOWED BY THE LAW OF THE JURISDICTION THAT GOVERNS THE SALE OF THE PRODUCT; THIS EXPRESS WARRANTY EXCLUDES ANY AND ALL OTHER EXPRESSED WARRANTIES AND LIMITS THE DURATION OF ANY AND ALL IMPLIED WARRANTIES, INCLUDING WARRANTIES OF MERCHANTABILITY AND FITNESS FOR A PARTICULAR PURPOSE TO A lifetime FROM THE DATE OF FIRST PURCHASE; AND FMI PRODUCTS, LLC'S LIABILITY IS HEREBY LIMITED TO THE PURCHASE PRICE OF THE PRODUCT AND FMI PRODUCTS, LLC SHALL NOT BE LIABLE FOR ANY OTHER DAMAGES WHATSOEVER INCLUDING INDIRECT, INCIDENTAL OR CONSEQUENTIAL DAMAGES.

Some states do not allow limitations on how long an implied warranty lasts or the exclusion or limitation of incidental or consequential damages, so the above limitation or exclusion may not apply to you.

This warranty gives you specific legal rights, and you may also have other rights which vary from state to state.

For information about this warranty contact:

  
**FMI PRODUCTS, LLC**  
2701 S. Harbor Blvd.  
Santa Ana, CA 92704  
1-866-328-4537  
[www.fmiproducts.com](http://www.fmiproducts.com)

120114-01  
Rev. C  
03/11



## Free Manuals Download Website

<http://myh66.com>

<http://usermanuals.us>

<http://www.somanuals.com>

<http://www.4manuals.cc>

<http://www.manual-lib.com>

<http://www.404manual.com>

<http://www.luxmanual.com>

<http://aubethermostatmanual.com>

Golf course search by state

<http://golfingnear.com>

Email search by domain

<http://emailbydomain.com>

Auto manuals search

<http://auto.somanuals.com>

TV manuals search

<http://tv.somanuals.com>