

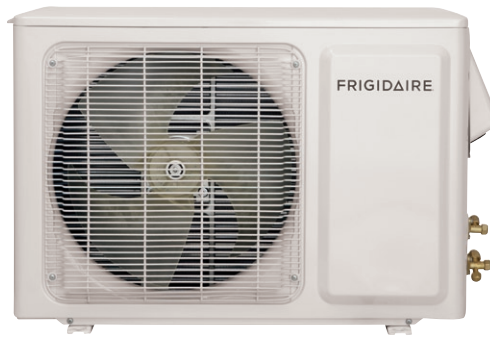
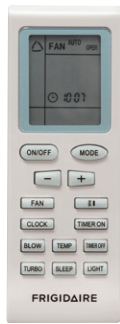
Home Comfort

FRS22PYS1

Ductless Mini-Split
Air Conditioner/Heat Pump



FRS22PYW2¹ Indoor



FRS22PYC2¹ Outdoor

Signature Features

Effortless™ Temperature Control

Our air conditioners maintain the preset room temperature, so you will remain comfortable at all times.

Remote Control

Allows you to precisely control the temperature and fan speed from across the room.

Ready-Select™ Controls

Easily select options with the touch of a button.

Effortless™ Clean Filter

Our anti-microbial filter cleans the air, removing harmful bacteria.

Product Dimensions Evaporator (Indoor) Model

| | |
|--------|-----------|
| Height | 12-7/16" |
| Width | 39-11/16" |
| Depth | 8-5/8" |

Product Dimensions Condenser (Outdoor) Model

| | |
|--------|---------|
| Height | 31-1/8" |
| Width | 36-1/4" |
| Depth | 14-5/8" |

More Easy-To-Use Features

Energy and Cost Savings

A split system helps avoid the energy losses that normally come with ductwork. This loss can amount to up to 40% due to leaks, tears and long lengths.

Inverter Technology

Allows the unit to maintain room temperatures while operating at a lower and quieter speed.

Multi-Speed Fan

Features three different fan speeds, for more cooling flexibility.

Sleep Mode

Quiet operation keeps you cool without keeping you awake. Plus, Sleep Mode gradually increases room temperature after being activated.

Quickly Cools

Turbo Mode for that quick cool-down when you first turn it on

Comfort Control Design

Easily control the direction of your cool air, wherever your unit is.

Effortless™ Restart

Automatically resumes operating at its previous settings when power is restored to your unit.

Heat Pump

Our versatile unit offers the capability and capacity to provide the heat required to hold the desired temperature.

24 Hour On/Off Timer

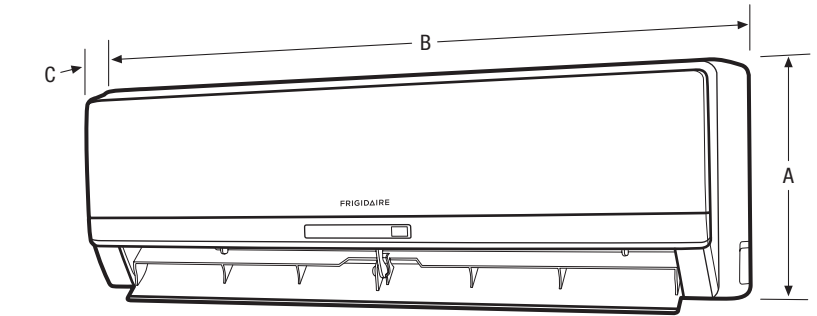


ENERGY STAR®

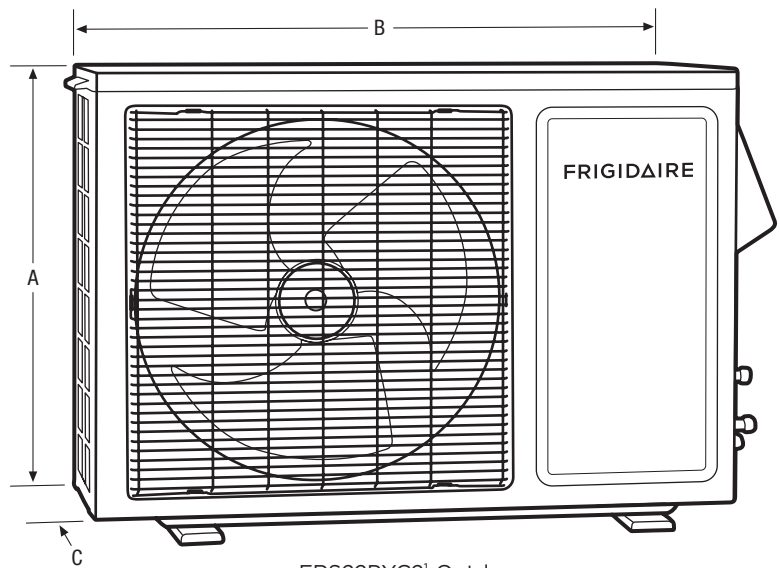
| Performance | BTUs |
|-------------|--------|
| Cool | 21,500 |
| Heat | 26,600 |

¹Photo may not represent actual model.

| | |
|---------------------------------------|------------------------|
| Model Numbers | |
| System Model Number | FRS22PYS1 |
| Indoor Unit Part Number | FRS22PYW2 |
| Outdoor Unit Part Number ¹ | FRS22PYC2 |
| Performance | |
| BTU (Cool) | 21,500 |
| BTU (Heat Pump) | 26,600 |
| Cooling Area (Sq. Ft.) | 1,430 |
| SEER (Air Conditioner) | 18 |
| HSPF (Heat Pump) | 10.2 |
| Inverter Technology | Yes |
| Electrical | |
| Volts | 230/208 |
| Amps (Cool) Indoor/Outdoor | 0.5/7.9 |
| Watts (Cool) Indoor/Outdoor | 38/1,835 (320-2,530) |
| Amps (Heat) Indoor/Outdoor | 0.5/12.3 |
| Watts (Heat) Indoor/Outdoor | 38/2,800 (340-2,800) |
| Fuse (Amps) Indoor/Outdoor | 3.15/25 |
| Features | |
| Controls | Ready-Select™ Controls |
| Fan Speeds (Cool/Fan/Heat) | 4/3/4 |
| Low Voltage Start-Up | Yes |
| Turbo Fan | Yes |
| Auto Fan | Yes |
| Energy Saver | Yes |
| Sleep Mode | Yes |
| 24 Hour On/Off Timer | Yes |
| Remote Control | Full-Function |
| Air CFM (High/Med/Low) Indoor | 276/242/107 |
| Air Direction Control (Vert./Horz.) | Yes/Yes |
| Air Discharge (Full-Width) | Bottom |
| Filter Type | Antimicrobial Mesh |
| Filter Access | Slide-Out |
| Air Direction Control - Horizontal | Manual |
| Air Direction Control - Vertical | Swing |
| dB (Indoor) (High/Med/Low) | 44/40/35 |
| dB (Outdoor) | 56 |
| Warranty ² | Yes |
| Included Accessories | |
| Drain Kit (Outdoor Unit) | Yes |
| Installation Plate (Indoor Unit) | Yes |
| Line Set (Indoor Unit) | Yes |
| Remote Holder (Indoor Unit) | Yes |
| Certifications | |
| ENERGY STAR® | Yes |
| Performance | ARI |
| Specifications | |
| Refrigerant | R410a |
| Shipping Weight (Approx.) | 132 |



FRS22PYW2¹ Indoor



FRS22PYC2¹ Outdoor

NOTE: For planning purposes only. Always consult local and national electric codes. Refer to Product Installation Guide for detailed installation instructions on the web at frigidaire.com.



| Product Dimensions | |
|---------------------|-----------|
| Indoor - | |
| A - Height | 12-7/16" |
| B - Width | 39-11/16" |
| C - Depth | 8-7/8" |
| Max. Wall Thickness | 18" |
| Outdoor - | |
| A - Height | 31-1/8" |
| B - Width | 36-1/4" |
| C - Depth | 14-5/8" |

¹Illustration may not represent actual model.

All refrigeration and electrical work must be performed by a certified and licensed refrigeration technician for full parts and labor warranty validation. Insulated line sets and control wires are required and available for Frigidaire split systems in 16.4 ft. length. Each line set is equipped with flare nuts on both ends. Each system requires one line set for each indoor unit installed.

Accessories information available on the web at frigidaire.com

FRIGIDAIRE

USA • 10200 David Taylor Drive • Charlotte, NC 28262 • 1-800-FRIGIDAIRE • frigidaire.com
 CANADA • 5855 Terry Fox Way • Mississauga, ON L5V 3E4 • 1-800-265-8352 • frigidaire.ca

FRS22PYS1 07/10

Download from www.Sematerials.com. All Manuals Search And Download.

Specifications subject to change. Printed in the U.S.A.

Ductless Mini-Split System Air Conditioners Servicer Technical Data Sheet

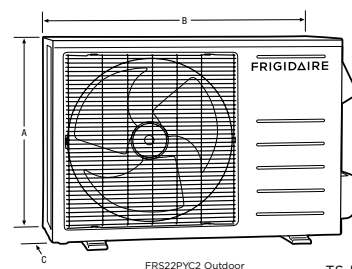
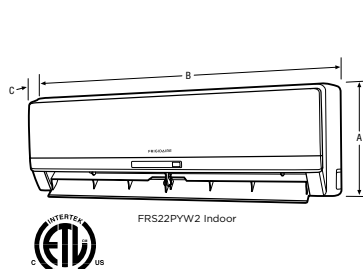
FRIGIDAIRE®

FRS22PYS1

| POWER | |
|-------------------------|----------------------------|
| Circuit Amps | 14.0/12.8 A |
| Maximum Fuse Size | 25 A |
| CAPACITIES | |
| Cooling | 21500 Btu |
| Amps | 9.05/8.19 A |
| Watts | 1790 W |
| Min/Max Cooling | 9600/25000 Btu |
| SEER | 18 |
| EER | 12 |
| Low Ambient Temperature | 5° F ≤ T ≤ 115° F |
| Voltage/Frequency/Phase | 208V\230V /60Hz/1P |
| Dehumidification | 5.28PT/H |
| INDOOR UNIT | |
| Sound Rating | 48/44/40/35dB (A) |
| Net Weight | 35.27 lb |
| Shipping Weight | 46.3 lb |
| Dimensions (H x W x D) | 12.4" x 39.68" x 8.622" |
| Full Loaded Amps | 0.47 A |
| Number of Fan Speeds | 4 |
| Fan Type | cross flow |
| RPM at High Speed) | 1400 rpm |
| Motor Watts | 35 W |
| Full Loaded Amps | 0.45 A |
| Coil Type | aluminum fin & copper tube |
| Fin Type | window |
| Pipe Type | inner-wing |
| Fin Rows (FPI) | 2 |
| Tube Diameter | ϕ 7.15 mm (9/32") |
| Drain Connection Size | ϕ 16 mm (5/8") |
| FEATURES | |
| Controls | microprocessor |
| Remote Control | lcd wireless |
| Temperature Control | 16-30° C |
| Timer | 24 hr |
| Air Louvers | 3 pieces |
| Horizontal | manual |
| Vertical | swing |
| Low Voltage Restart | built-in |
| Self-Diagnosis | yes |
| Quiet Operation | no |
| Air Filter | washable, anti-mold |
| COMPRESSOR | |
| | C-6RZ146H1A |
| Controls | twin rotary DC inverter |
| Remote Control | 8.4 A |
| Temperature Control | 41 A |

| REFRIGERANT SYSTEM | |
|-------------------------------|-----------------------------|
| Refrigerant | R410A |
| Ounces | 63.49 |
| Control | electric expansion valve |
| Lineset | 16.4 ft |
| Maximum Height | 49.2 ft |
| Maximum Line length | 98.43 ft |
| Discharge Vapor Line (od) | ϕ 6 mm (1/4") |
| Suction (od) | ϕ 16 mm (5/8") |
| OUTDOOR UNIT | |
| Sound rating | ≤ 56 dB (A) |
| Net Weight | 119.04 lb |
| Shipping Weight | 132.27 lb |
| Dimensions (H x W x D) | 27.56" x 35.04" x 13.38" |
| Recommended Fuse | 25 A |
| Minimum Amps | 14 A |
| Running Current | 14.0/12.8 A |
| Fan Type | Axial |
| Fan Diameter/Number of Speeds | 20.47"-2 |
| Drive Type | dc motor |
| Motor Watts | 90 W |
| Number of Poles and RPM | 2-780/500 rpm |
| CFM (High) | 2500 |
| Coil Type | aluminum fin & copper tube |
| Fin Type | flat |
| Pipe Type | innergroove copper |
| Fin Rows (FPI) | 2 |
| Tube Size | ϕ 7.15 mm (9/32") |
| OPERATING RANGE | |
| | Indoor Air |
| | intake temp |
| Cooling | 90° F db/wb 41° F db/wb |
| Heating | 81° F db/wb 32° F db/wb |
| | Outdoor Air |
| | intake temp |
| Cooling | 115° F db/wb 41° F db/wb |
| Heating | 75° F db/wb 5° F db/wb |
| HEATING | |
| Total Capacity (BTU) | 26000 Btu |
| HSPF | 10.2 |
| Amps | 14.0/12.8 A |
| Max Amps | 14.0/12.8 A |
| Power Inputs | 2750 W |
| Back Up Strip Heater | n/a |
| Outdoor Sound Rating | ≤ 56 dB (A) |

| PRODUCT DIMENSIONS | |
|---------------------|-----------|
| Indoor - | |
| A - Height | 12-7/16" |
| B - Width | 39-11/16" |
| C - Depth | 8-7/8" |
| Max. Wall Thickness | 18" |
| Outdoor - | |
| A - Height | 31-1/8" |
| B - Width | 36-1/4" |
| C - Depth | 14-5/8" |



Ductless Mini-Split System Air Conditioners Submittal Sheet

FRIGIDAIRE®

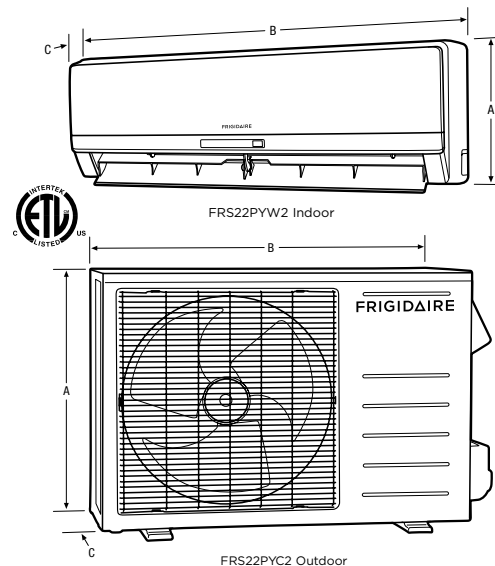
FRS22PYS1

Job: _____ Reference: _____ Construction: _____
 Location: _____ Approval: _____ Unit Number: _____
 Engineer: _____ Date: _____ Drawing Number: _____
 Submitted to: _____ Submitted by: _____

| | |
|-------------------------|-------------------------|
| POWER | |
| Circuit Amps | 14.0/12.8 A |
| Maximum Fuse Size | 25 A |
| CAPACITIES | |
| Cooling | 21500 Btu |
| Amps | 9.05/8.19 A |
| Watts | 1790 W |
| Min/Max Cooling | 9600/25000 Btu |
| SEER | 18 |
| EER | 12 |
| Low Ambient Temperature | 5° F ≤ T ≤ 115° F |
| Voltage/Frequency/Phase | 208V\230V /60Hz/1P |
| Dehumidification | 5.28PT/H |
| INDOOR UNIT | |
| Sound Rating | 48/44/40/35dB (A) B60 |
| Net Weight | 35.27 lb |
| Shipping Weight | 46.3 lb |
| Dimensions (H x W x D) | 12.4" x 39.68" x 8.622" |
| Full Loaded Amps | 0.47 A |
| Number of Fan Speeds | 4 |
| Fan Type | cross flow |
| Motor Watts | 35 W |
| Full Loaded Amps | 0.45 A |
| COMPRESSOR | |
| Type | C-6RZ146H1A |
| Type | twin rotary DC inverter |
| Amps | 8.4 A |
| Locked Rotor Amps | 41 A |
| HEATING | |
| Total Capacity (BTU) | 26000 Btu |
| HSPF | 10.2 |
| Amps | 14.0/12.8 A |
| Max Amps | 14.0/12.8 A |
| Power Inputs | 2750 W |
| Back Up Strip Heater | n/a |
| Outdoor Sound Rating | ≤ 56 dB (A) |

| | |
|---------------------------|--------------------------|
| OUTDOOR UNIT | |
| Sound Rating | ≤ 56 dB (A) |
| Net Weight | 119.04 lb |
| Shipping Weight | 132.27 lb |
| Dimensions (H x W x D) | 27.56" x 35.04" x 13.38" |
| Recommended Fuse | 25 A |
| Minimum Amps | 14 A |
| Running Current | 14.0/12.8 A |
| Drive Type | dc motor |
| Motor Watts | 90 W |
| CFM (high) | 2500 |
| FEATURES | |
| Controls | microprocessor |
| Remote Control | lcd wireless |
| Temperature control | 16-30° C |
| Timer | 24 hr |
| Air Louvers | 3 pieces |
| Horizontal | manual |
| Vertical | swing |
| Low Voltage Restart | built-in |
| Self-Diagnosis | yes |
| Quiet Operation | no |
| Air Filter | washable, anti-mold |
| REFRIGERANT SYSTEM | |
| Refrigerant | R410A |
| Ounces | 63.49 |
| Lineset | 16.4 ft |
| Maximum Height | 49.2 ft |
| Maximum Line length | 98.43 ft |
| Discharge Vapor Line (od) | Φ 6 mm (1/4") |
| Suction (od) | Φ 16 mm (5/8") |

| | |
|---------------------------|-----------|
| PRODUCT DIMENSIONS | |
| Indoor - | |
| A - Height | 12-7/16" |
| B - Width | 39-11/16" |
| C - Depth | 8-7/8" |
| Max. Wall Thickness | 18" |
| Outdoor - | |
| A - Height | 31-1/8" |
| B - Width | 36-1/4" |
| C - Depth | 14-5/8" |



Free Manuals Download Website

<http://myh66.com>

<http://usermanuals.us>

<http://www.somanuals.com>

<http://www.4manuals.cc>

<http://www.manual-lib.com>

<http://www.404manual.com>

<http://www.luxmanual.com>

<http://aubethermostatmanual.com>

Golf course search by state

<http://golfingnear.com>

Email search by domain

<http://emailbydomain.com>

Auto manuals search

<http://auto.somanuals.com>

TV manuals search

<http://tv.somanuals.com>