

# Freestanding Range

CFEF3048LS

30" Electric



## Signature Features

### Ready-Select™ Controls

Select options or control cooking temperature with our easy-to-use controls.

### One-Touch Self Clean

Start the self-cleaning cycle with just the touch of a button.

### Large Capacity

Our large capacity oven gives you room to cook more at once.

### SpaceWise™ Expandable Element

Flexible element expands to your cooking needs.

## Product Dimensions

Height	47"
Width	29-7/8"
Depth	28-1/2"

## More Easy-To-Use Features

### Extra-Large Element

Our extra-large 12" element gives you space for larger pots and pans.

### Even Baking Technology

Our latest technology ensures even baking every time.

### Store-More™ Storage Drawer

Our convenient drawer gives you extra storage space in your kitchen.

### Quick Clean

For a quick, light oven cleaning.

### Extra-Large Window

Our extra-large oven window lets you easily see what's inside.

### Delay Start Baking Option

### Delay Clean

Set the oven to begin cleaning on your schedule.

### Hi/Lo Broil Option

Offers two-position broiling and variable temperature control for more control.

### Auto Shut-Off

As an extra safety measure, the oven will automatically shut off after 12 hours.

### Timed Cook Option

### Bright Lighting

Our bright lighting makes it easy to see what's inside.

### Attractive Stainless Steel Exterior

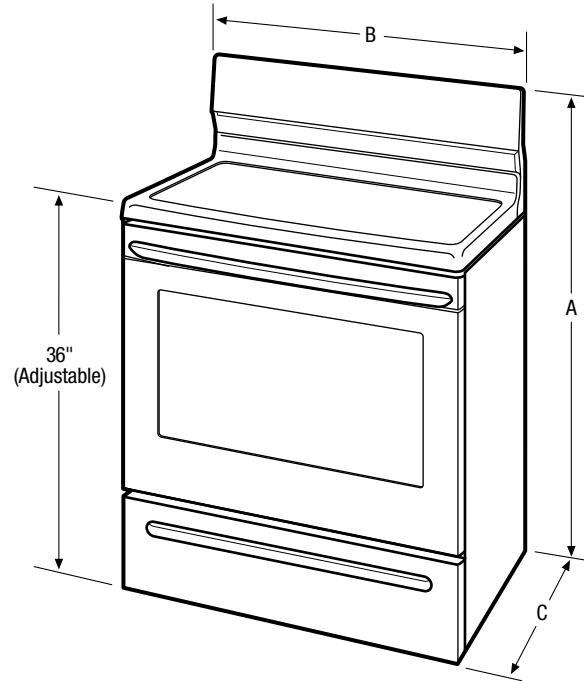
Available in:



Stainless  
(S)

Elements	Size	Watts
Right Front	12"	2,700
Right Rear	6"	1,200
Left Front	6"/9" Expandable	2,500
Left Rear	6"	1,200

<b>Features</b>	
Oven Control/Timing System	Ready-Select™ Controls
Surface Type	Black Ceramic Glass
Window	Extra-Large
Exterior Door Finish	Stainless Steel
Handle Design	Stainless Steel
Exterior Finish	Black
Convection System	
Cleaning System	Self Clean
Drawer Functionality	Storage
<b>Oven Controls</b>	
Bake	Yes
Broil	Low and High
Add-a-Minute	
Delay Bake	Yes
Self-Clean	Yes
Quick Clean Option	Yes
Delay Clean	Yes
Kitchen Timer	Yes
Timed Cook Option	Yes
Auto Oven Shutoff	12 Hours
<b>Cooktop Features</b>	
Right Front Element (Watts)	12" - 2,700
Right Rear Element (Watts)	6" - 1,200
Left Front Element (Watts)	6"/9" Expandable - 2,500
Left Rear Element (Watts)	6" - 1,200
Center Element (Watts)	
Drip Bowls	
Hot Surface Indicator Light	
<b>Oven Features</b>	
Capacity (Cu. Ft.)	5.3
Oven Light	Yes
Hidden Bake Element	
Rack Configuration	2 Standard
Even Baking System	Yes
Broiling System	Vari-Broil™ Hi/Lo
Bake Element/Broil Element (Watts)	2,600/3,000
<b>Specifications</b>	
Oven Interior (H x W x D)	21" x 24-3/8" x 19-1/8"
Power Supply Connection Location	Centerline Lower Rear
Voltage Rating	240V/208V
Connected Load (kW Rating) @ 240/208 Volts	12.5/9.5
Minimum Circuit Required (Amps)	40
Shipping Weight (Approx.)	140 Lbs.



NOTE: Always consult local and national electric codes. Refer to Product Installation Guide for detailed installation instructions on the web at [frigidaire.ca](http://frigidaire.ca).



Product Dimensions		Cutout Dimensions	
A - Height	47"	Height	36"
B - Width	29-7/8"	Width	30"
C - Depth	28-1/2"	Depth	24"
Depth with Door Open 90°	48-3/8"		

Accessories information available on the web at [frigidaire.ca](http://frigidaire.ca)

## Free Manuals Download Website

<http://myh66.com>

<http://usermanuals.us>

<http://www.somanuals.com>

<http://www.4manuals.cc>

<http://www.manual-lib.com>

<http://www.404manual.com>

<http://www.luxmanual.com>

<http://aubethermostatmanual.com>

Golf course search by state

<http://golfingnear.com>

Email search by domain

<http://emailbydomain.com>

Auto manuals search

<http://auto.somanuals.com>

TV manuals search

<http://tv.somanuals.com>