








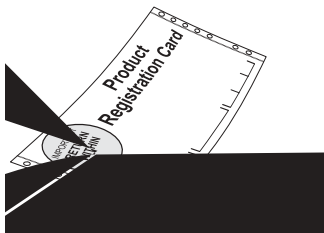
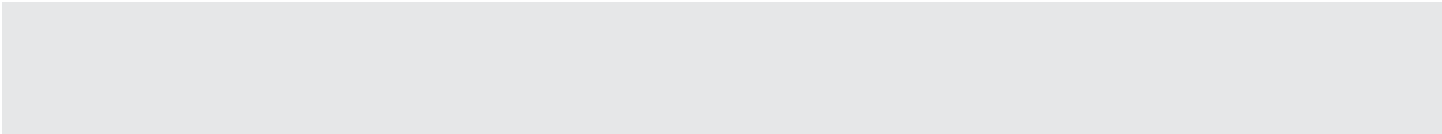
Use & Care Manual

Warm & Serve

Drawer

Welcome	2	
Important Safety Instructions ...	3-4	
Before Setting Control	4	
Setting Control	5	
Care & Cleaning	6	
Before You Call Solutions to Common Problems	7	
Warranty	8	

Visit the Frigidaire Web Site at:
<http://www.frigidaire.com>



Important Safety Instructions

**Read all instructions before using this appliance.
Save these instructions for future reference.**

This manual contains important safety symbols and instructions. Please pay attention to these symbols and follow all instructions given.

⚠ WARNING This symbol will help alert you to situations that may cause serious bodily harm, death or property damage.

⚠ CAUTION This symbol will help alert you to situations that may cause bodily injury or property damage.

- **Remove all tape and packaging wrap before using the appliance. Destroy the carton and plastic bags after unpacking the appliance.** Never allow children to play with packaging material.
- **Proper Installation—Be sure your appliance is properly installed and grounded by a qualified technician in accordance with the National Electrical Code ANSI/NFPA No. 70—latest edition in the U.S. A., or CSA C22.1, Part 1 in Canada, and local code requirements.** Install only per installation instructions provided in this manual.

Ask your dealer to recommend a qualified technician and an authorized repair service. Know how to disconnect the electrical power to the drawer at the circuit breaker or fuse box in case of an emergency.

- **User Servicing—Do not repair or replace any part of the appliance unless specifically recommended in the manuals.** All other servicing should be done only by a qualified technician to reduce the risk of personal injury and damage to the appliance.
- **Never modify or alter the construction of a drawer by removing panels, wire covers, locking plates, or any other part of the product.**

⚠ WARNING Stepping, leaning or sitting on the door or drawer can result in serious injuries and may also cause damage to the warmer drawer. Do not allow children to climb or play around the drawer. An open drawer, when hot, may cause burns.

• **Storage in or on Appliance—Flammable materials should not be stored in the drawer.** This includes paper, plastic and cloth items, such as cookbooks, plasticware and towels, as well as flammable liquids. Do not store explosives, such as aerosol cans, on or near the warmer drawer. Flammable materials may explode and result in fire or property damage.

• **Do not leave children alone. Children should not be left alone or unattended in the area where an appliance is in use.** They should never be allowed to sit or stand on any part of the appliance.

• **DO NOT TOUCH INTERIOR SURFACES OF THE WARMER DRAWER.** Surfaces may be hot even though they are dark in color. During and after use, do not touch, or let clothing or other flammable materials touch these areas until they have had sufficient time to cool.

• **Wear Proper Apparel—Loose-fitting or hanging**

⚠ WARNING

- All Warm and Serve Drawer can tip.
- Injury to persons could result.
- Install anti-tip device packed with warmer drawer.
- See installation instructions.

⚠ WARNING

To reduce the risk of tipping of the Warm & Serve Drawer, the drawer must be secured by properly installed anti-tip locking plates provided with the drawer. To check if the locking plates are installed properly, grasp the handle of the open drawer and see if the drawer will slide out of the opening. Refer to the installation instructions for proper locking plate installation.

⚠ WARNING Do not use the warmer drawer for storage.



Important Safety Instructions

⚠ WARNING Never use your appliance for warming or heating the room.

IMPORTANT INSTRUCTIONS FOR USING YOUR WARM & SERVE DRAWER

- **Protective Liners**—Do not use aluminum foil to line warmer drawer. Any other use of protective liners or aluminum foil may result in poor performance or damage to the appliance. Only use aluminum foil as recommended for baking if used as a cover placed on the food.
- **Glazed Cooking Utensils**—Only certain types of glass, glass/ceramic, ceramic, earthenware, or other glazed utensils are suitable for use without breaking due to the sudden change in temperature. Check the manufacturer's recommendations.
- **Use Care When Opening Warmer Drawer**—Stand to the side of the unit when opening the door of a hot drawer. Let hot air or steam escape before you remove or replace food in the warmer drawer.
- **Placement of Warmer Drawer Racks**—Always place rack in desired location while drawer is cool. If rack must be

moved while hot, use extreme caution. Use potholders and grasp the rack with both hands to reposition. Do not let potholders contact the hot element or interior of the warmer drawer. Remove all utensils from the rack before removing rack.

IMPORTANT INSTRUCTIONS FOR CLEANING YOUR WARM & SERVE DRAWER

- **Clean the drawer regularly to keep all parts free of grease that could catch fire.** Do not allow grease to accumulate. Greasy deposits could catch fire.
- **Kitchen cleaners/aerosols**—Always follow the manufacturer's recommended directions for use. Be aware that excess residue from cleaners and aerosols may ignite causing damage and/or injury.

IMPORTANT SAFETY NOTICE

The California Safe Drinking Water and Toxic Enforcement Act requires the Governor of California to publish a list of substances known to the state to cause cancer, birth defects or other reproductive harm, and requires businesses to warn customers of potential exposure to such substances.

SAVE THESE INSTRUCTIONS



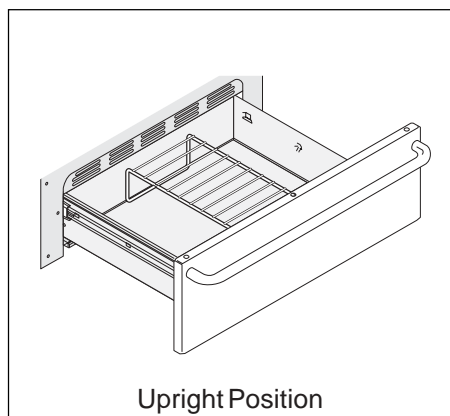
Before Setting Control

Arranging Warmer Drawer Rack Positions

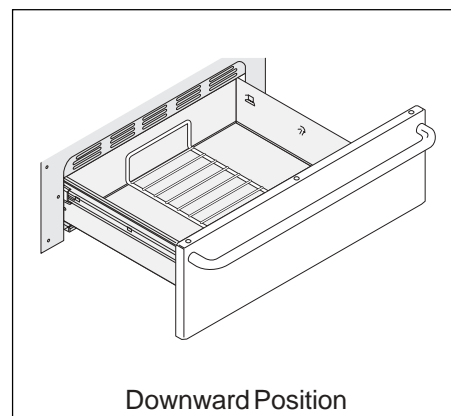
Set the warmer drawer rack in the vertical position as shown below.

The rack can be used in 2 ways:

- In the **upright position** to allow low profile food items to be placed both under and on top of the rack (for example, rolls or biscuits on top of the rack and a casserole dish under).
- In the **downward position** to allow you to place light weight food items and empty dishware (for example, rolls or pastries and dinner plates).



Upright Position



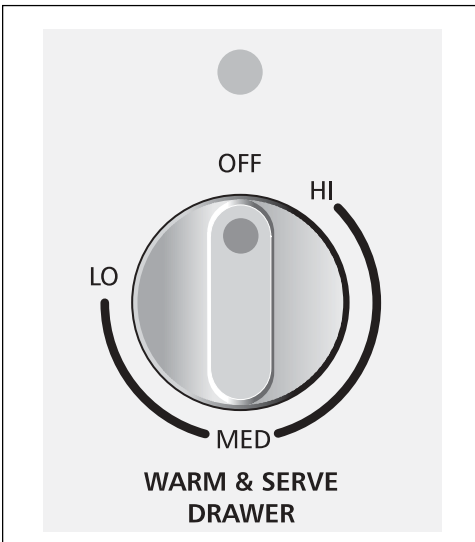
Downward Position

Setting Control



Use the warmer drawer to keep hot foods hot such as: vegetables, gravies, meats, casseroles, biscuits and rolls, pastries and heated dinner plates.

The warmer drawer is equipped with a catch which may require a small amount of force when opening and closing the drawer.



To Operate the Warmer Drawer

The purpose of the warmer drawer is to keep hot cooked foods at serving temperature. Always start with hot food. It is not recommended to heat cold food in the warmer drawer.

All food placed in the warmer drawer should be covered with a lid or aluminum foil to maintain moisture and softness. Do not cover crisp foods. **Do not use plastic wrap to cover food. Plastic may melt onto the drawer and be very difficult to clean.**

CAUTION Use only dishware, utensils and cookware recommended for oven use in the warmer drawer.

Always use potholders or oven mitts when removing food from the warmer drawer as cookware and plates will be hot.

Indicator Light

The indicator light is located above the thermostat control knob. It turns on when the control is set, and stays on until the control is turned off. Make sure indicator light is off when removing food from drawer.

To Set the Thermostat Control

The thermostat control knob is used to select the temperature of the warmer drawer. It is located at the right side of the warmer drawer in the open position. The temperatures are approximate, and are designated by HI, MED and LO. The control can be set to the three settings, or anywhere between.

1. To set the thermostat, push in and turn the knob to the desired setting.
2. For best results, preheat the drawer before adding food. An empty drawer will reach the LO setting in about 12 minutes, the MED setting in about 15 minutes, and the HI setting in about 18 minutes.
3. When done, turn the thermostat control to OFF.

Temperature Selection

Refer to the chart in the side column for recommended settings. If a particular food is not listed, start with the medium setting. If more crispness is desired, remove the lid or aluminum foil.

Most foods can be kept at serving temperatures by using the medium setting.

When a combination of foods are to be kept warm (for instance, a meat with 2 vegetables and rolls), use the high setting.

Refrain from opening the warmer drawer while in use to eliminate loss of heat from the drawer. Open only for adding or removing food.

To Warm Serving Bowls and Plates

Heat bowls and plates on the LO setting. Place empty dishes on the rack to raise them off drawer bottom. To further heat dishes or to heat fine china, check with the manufacturer for maximum heat tolerance.

Warmer Drawer Recommended Food Settings Chart

<u>Food Item</u>	<u>Setting</u>
Bacon	HI
Biscuits	MED
Casseroles	MED
Eggs	MED
Empty Dinner Plates	LO
Fish, Seafood	MED
Fried Foods	HI
Gravies, creams, sauces	MED
Ham	MED
Hamburger Patties	HI
Pancakes, Waffles	HI
Pastries	MED
Pies	MED
Pizza	HI
Pork Chops	HI
Potatoes (baked)	HI
Potatoes (mashed)	MED
Poultry	HI
Roasts (Beef, Pork, Lamb)	MED
Rolls, soft	LO
Rolls, hard	MED
Vegetables	MED



Care & Cleaning

Surfaces

Vinyl

How to Clean

Use hot, soapy water and a cloth. Dry with a clean cloth.

Plastic

Control Knobs, Control Panel

To remove control knob, turn to the OFF position; grasp firmly and pull straight off the shaft. Clean with a cloth soaked in soapy water. Rinse with a clean water and a dishcloth. Be sure to squeeze excess water from the cloth before wiping the panel; especially when wiping around the controls. Excess water in or around the controls may cause damage to the appliance. To replace knob after cleaning, line up the flat sides of both the knob and the shaft; then push the knob into place.

Stainless Steel

Drawer, Body Parts and Drawer Cavity

Cleaners made especially for stainless steel are recommended. Always follow the manufacturer's instructions. Be sure to rinse the cleaners. **Do not use cleaners with high concentrations of chlorides or chlorines.** Do not use harsh scrubbing cleaners. **DO NOT** clean the door gasket. The door gasket is essential for a good seal. Care should be taken not to rub, damage or remove the gasket.

Porcelain Enamel

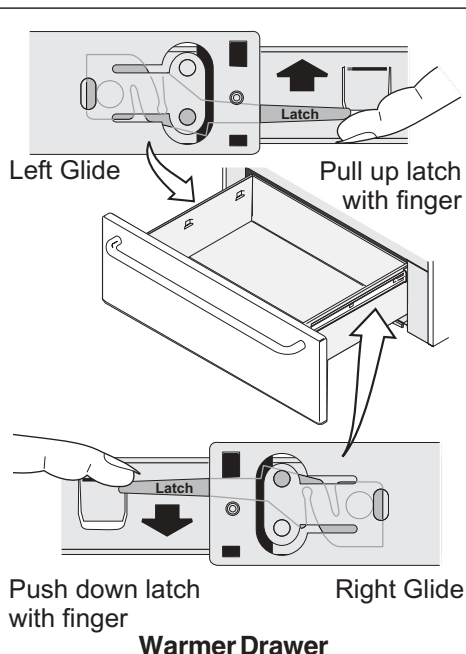
Drawer Liner, Body Parts and Drawer Cavity

Gentle scouring with a soapy scouring pad will remove most spots. Rinse with a 1:1 solution of clear water and ammonia. *If necessary*, cover difficult spots with an ammonia-soaked paper towel for 30 to 40 minutes. Rinse with clean water and a damp cloth, and then scrub with a soap-filled scouring pad. Rinse and wipe dry with a clean cloth. Remove all cleaners or the porcelain may become damaged during future heating. **DO NOT** use spray oven cleaners.

Warmer Drawer Rack

The rack may be removed for cleaning. Clean by using a mild, abrasive cleaner following manufacturer's instructions. Rinse with clean water and dry.

⚠ WARNING Turn the warmer drawer control knob to OFF before removing the drawer. **DO NOT** touch the warmer drawer element. The element may still be hot enough to cause burns, even if it is dark in color.



To Remove and Replace Warmer Drawer

To Remove Warmer Drawer:

1. **⚠ CAUTION** Turn power off before removing the warmer drawer.
2. Open the drawer to the fully opened position.
3. Locate the latches on both sides of the warmer drawer.
4. Pull up on the left glide latch and push down on the right glide latch.
5. Pull the drawer away from the appliance.
6. To clean warmer drawer, gently scour with a soapy scouring pad, this will remove most spots. Rinse with a 1:1 solution of clear water and ammonia. If necessary, cover difficult spots with an ammonia-soaked paper towel for 30 to 40 minutes. Rinse with clean water and a damp cloth. Remove all cleaners or the porcelain may become damaged during future heating. **DO NOT** use spray oven cleaners on the cooktop.

To Replace Warmer Drawer:

1. Align the glide latches on both sides of the drawer with the slots on the drawer.
2. Push the drawer back into the appliance.



⚠ WARNING **Electrical Shock Hazard** can occur and result in serious injury or death. Disconnect appliance from electric power before cleaning and servicing the warmer drawer.

Before you call
Solutions to Common Problems



OCCURRENCE

POSSIBLE CAUSE/SOLUTION

Drawer is not level.

Poor installation. Place a level on the cutout bottom. Make sure bottom is level.

Be sure cutout bottom is strong and stable enough to adequately support drawer (and wall oven, if applicable).

**Cannot move appliance easily.
Appliance must be accessible for service.**

Cabinets not square or are built in too tightly. Contact builder or installer to make appliance accessible.

Warmer drawer does not operate.

Make sure cord/plug is plugged tightly into outlet.

Service wiring is not complete. Contact your dealer, installing agent or authorized servicer.

Power outage. Check house lights to be sure. Call your local electric company for service.



Manual de uso y cuidado

Cajón Calentador

Bienvenido 2



**Instrucciones importantes
sobre la seguridad 3-4**



Antes de ajustar el control 4



Reglaje del control 5



Limpieza general 6



Antes de llamar
Soluciones de
Problemas Comunes 7



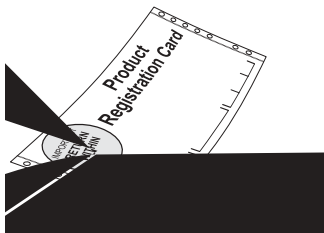
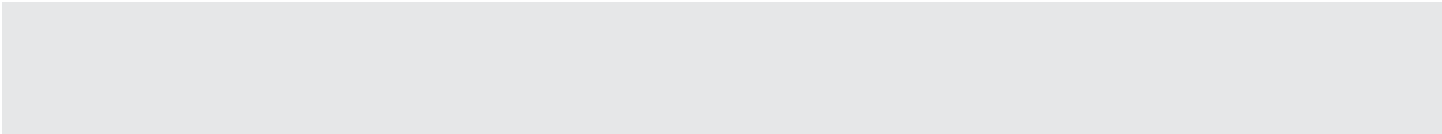
Garantía 8



Visite la página de Frigidaire en Internet:
<http://www.frigidaire.com>

INSTRUCCIONES

318201004 (0406) Rev. A



Instrucciones Importantes de seguridad



**Lea todas las instrucciones antes de usar este aparato.
Guarde estas instrucciones para consulta futura.**

Este manual contiene símbolos e instrucciones importantes sobre la seguridad. Enseguida, se da una breve explicación sobre el uso de estos símbolos. Por favor preste atención especial a estos símbolos y siga todas las instrucciones. Esta es una explicación breve del uso de estos símbolos.

⚠ ADVERTENCIA Este símbolo alerta acerca de situaciones que pueden provocar serios daños corporales, muerte o daños materiales.

⚠ PRECAUCION Este símbolo alerta acerca de situaciones que pueden provocar daños corporales o materiales.

- **Quite todas las cintas y todo el embalaje antes de usar el cajón calentador. Después de haberla desempacado destruya todo cartón de embalaje y las bolsas plásticas.** Nunca permita que los niños jueguen con el material de embalaje.
- **Instalación correcta—Asegúrese de que un técnico calificado instale y ponga a tierra su aparato correctamente y de acuerdo con la última edición del Código Nacional de Electricidad ANSI/NFPA No. 70, o en Canadá, el CSA Norma C22.1, Canadian Electrical CODE Part1, así como de acuerdo con los requisitos de los códigos locales.** Instale su aparato solamente de acuerdo a las instrucciones impartidas en este manual.

Pídale a su proveedor que le recomiende un técnico calificado, así como un servicio de reparación autorizado. Para los casos de emergencia, aprenda a desconectar el suministro eléctrico de su cajón calentador, ya sea sirviéndose del interruptor de circuito o de la caja de fusibles.

- **Servicio por parte del usuario—No repare ni reemplace ninguna parte del aparato a menos que los manuales así lo recomienden.** Solamente un técnico calificado puede ocuparse de todos los demás servicios; así se reducirá el riesgo de lesiones personales y de daños a el aparato.
- **Nunca modifique ni altere la construcción de un cajón calentador quitándole los paneles, los platinas de seguridad, ni cualquier parte del producto.**

⚠ ADVERTENCIA No se use el horno para almacenamiento de objetos.

⚠ ADVERTENCIA Escalar, apoyarse o sentarse sobre la puerta o cajón puede provocar lesiones de consideración y también puede dañarse el aparato. No permita que los niños se trepen sobre el cajón calentador o jueguen a su alrededor. Un cajón abierto, cuando caliente, puede causar quemaduras.

- **Almacenamiento dentro o sobre el aparato—No deben almacenarse materiales quemables en el cajón calentador.** Esto incluye artículos de papel, plástico y de tela, tales como libros de cocina, utensilios de plástico y toallas, así como líquidos quemables. No almacene explosivos, tales como latas de aerosol, cerca o encima del cajón calentador. Los materiales quemables pueden explotar y causar incendios o daños a la propiedad.
- **No deje a los niños solos. Nunca hay que dejar a los niños solos o desatendidos en el sitio en el que se está usando un aparato.** Nunca les permita sentarse o pararse en ninguna parte de un aparato.
- **NOTOQUE LAS SUPERFICIES INTERIORES DEL CAJÓN CALENTADOR.** Las áreas cercanas pueden calentarse lo suficiente como para causar quemaduras. Durante y después de su uso, no toque, ni permita que ningún tipo de tela o material quemable toquen estas áreas hasta que hayan tenido el tiempo necesario de enfriarse.
- **Póngase ropa adecuada—Nunca lleve puesta ropa suelta o prendas que cuelguen mientras esté usando el cajón calentador.** No deje que su ropa ni otros materiales quemables entren en contacto con superficies calientes.
- **Use solamente manoplas o agarraderas secas—Cuando se las pone sobre superficies calientes, las manoplas, o las agarraderas húmedas o mojadas, pueden causar quemaduras resultantes del vapor.** No deje que dichos protectores toquen los quemadores calientes ni las resistencias interiores del cajón calentador. Al asir utensilios calientes, no use toallas ni artículos de tela gruesos en lugar de una manopla o una agarradera.
- **No caliente envases de comida sin antes abrirlos—La presión resultante podría causar el estallido del envase y provocar lesiones.**
- **IMPORTANTE—No intente usar su cajón calentador cuando haya ocurrido una falla eléctrica. Si la corriente eléctrica falla, apague el aparato.** Si no se ha apagado el aparato y luego vuelve la corriente, el aparato comenzará a funcionar de nuevo. Entonces, la comida que se había dejado a calentar podría quemarse o echarse a perder.

⚠ ADVERTENCIA

- Todos los cajones calentadores pueden volcarse.
- Esto podría resultar en lesiones personales.
- Instale el dispositivo antivuelcos que se ha empacado junto con este cajón calentador.
- Lea las instrucciones de instalación.

⚠ ADVERTENCIA

Para reducir el riesgo de que se vuelque el cajón calentador, hay que asegurarlo adecuadamente colocándole los platinas de seguridad anti-vuelco que se proporcionan. Para comprobar si estos están instalados y en su lugar como se debe, tome el cajón por su manija y trate de tirarlo de su abertura. Siga las instrucciones de instalación que se dan al respecto.



Instrucciones Importantes de seguridad

⚠ ADVERTENCIA Nunca use su aparato para mantener un cuarto caliente ni para calentarlo.

INSTRUCCIONES IMPORTANTES PARA EL USO SU CAJÓN CALENTADOR

- **Revestimientos de protección**—No use hojas de aluminio para proteger el aparato. Solamente use hojas de aluminio como se recomienda para cocer, para cubrir el alimento. Otros usos de revestimientos protectores o hojas de aluminio puede resultar en el riesgo de choque eléctrico o incendio.
- **Utensilios de cocina vidriados**—Solamente ciertos tipos de vidrio, vitrocerámica, cerámica, barro y otros utensilios vidriados se pueden utilizar sin romperse a causa de cambios de temperatura súbitos. Vea las recomendaciones del fabricante.
- **Tenga cuidado cuando abre el cajón calentador**—Manténgase a un lado de el aparato cuando abre la puerta de un cajón calentador caliente. Deje que el aire caliente o el vapor escape antes de retirar comida del cajón calentador o al volver a meterla.
- **Colocación de las parrillas del cajón calentador.** Coloque siempre la parrilla en el sitio deseado, cuando esté frío. Si hay que mover las parrillas cuando el cajón calentador está caliente, hágalo con extrema precaución. Use manoplas o agarraderas, y tome la parrilla con ambas manos para colocarla donde desee. No deje que las agarraderas hagan contacto con la llama del quemador caliente o el interior de

éste. Saque todos los utensilios de la parrilla antes de retirarla.

INSTRUCCIONES IMPORTANTES PARA LA LIMPIEZA DE SU CAJÓN CALENTADOR

- **Limpe el cajón calentador regularmente para mantener todas sus partes libres de grasa y evitar que se enciendan.** No permita que la grasa se acumule. La grasa que se deposita en el ventilador puede encenderse.
- **Limpiadores y aerosoles**—Observe siempre las instrucciones de uso que recomiendan los fabricantes. Tome en cuenta el hecho que el exceso de residuos de limpiadores y aerosoles podría encenderse, lo cual a su vez podría provocar daños y/o lesiones.

ADVERTENCIA DE SEGURIDAD IMPORTANTE

El California Safe Drinking Water y Toxic Enforcement Act requiere al Gobierno de California de publicar una lista de sustancias conocidas por el estado como causa de cáncer, defectos de nacimiento u otros daños reproductivos, y requiere que se avisen los usuarios sobre la exposición eventual a sustancias.

GUARDE ESTAS INSTRUCCIONES



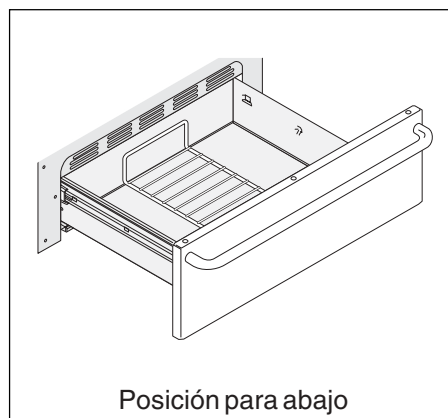
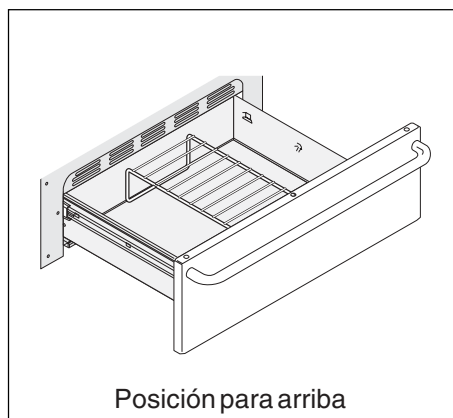
Antes de ajustar el control

Colocación de la parrilla del cajón calentador

Ponga la parrilla del cajón calentador en la posición vertical como se muestra abajo.

La parrilla se puede usar de dos maneras:

- En la **posición para arriba** para permitir la colocación de comidas pequeñas por debajo o por encima de la parrilla (por ejemplo, los panecillos o los bisquets por encima de la parrilla y un plato en cacerola por debajo).
- En la **posición para abajo** para permitir la colocación de comidas ligeras y la vajilla vacía (por ejemplo, los panecillos, los bollos y los platos).

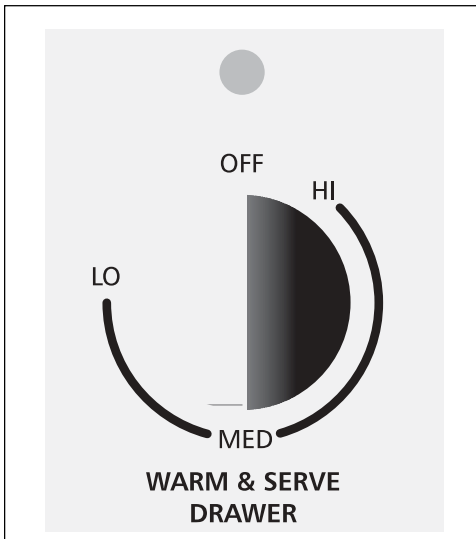


Reglaje del control



Use el cajón calentador para mantener calientes las comidas tales como: los vegetales, las salsas, las carnes, guisados, bisquets y panecillos, bollos y platos de comida.

El cajón calentador está equipado con un picaporte que puede requerir un esfuerzo extra al abrir y cerrar el cajón.



Para operar el cajón calentador

El propósito del cajón calentador es mantener las comidas cocinadas calientes a una temperatura para servir. Siempre comience con comida caliente. No se recomienda calentar la comida fría en el cajón calentador.

Toda la comida que se mete en el cajón calentador debe estar cubierta por una tapa o con papel de aluminio para mantener la humedad y el blandamiento. No cubra la comida crespas. **No utilice envolturas de plástico para cubrir la comida. El plástico puede derretirse en el cajón y dificultar la limpieza.**

⚠ PRECAUCION Utilice en el cajón calentador solamente vajilla y utensilios de cocina recomendados para uso en el horno.

Siempre utilice cogedores de hoyas y guantes para el horno cuando se saca la comida del cajón calentador ya que los utensilios y los platos estarán calientes.

Luz Indicadora

La luz indicadora se encuentra arriba del control del termostato. Se enciende cuando el control está puesto, y sigue encendida hasta que se apague el control. La luz indicadora no se encenderá durante el ciclo de autolimpieza.

Como reglar el control del termostato

El control del termostato se usa para seleccionar la temperatura del cajón calentador. Está ubicado en el lado derecho del interior del cajón calentador, cuando el cajón está abierto. Las temperaturas son aproximados y se designan por Alto (HI), Medio (MED) y Bajo (LO). Se puede colocar el control en cualquier de los tres ajustes, o a cualquier posición entre ellos.

1. Para reglar el termostato, oprima y gire la perilla al reglaje deseado.
2. Para los resultados mejores, precaliente el cajón antes de meter la comida. Un cajón vacío se calentará al ajuste LO en aproximadamente 12 minutos, al ajuste MED en aproximadamente 15 minutos, y el ajuste HI en aproximadamente 18 minutos.
3. Cuando se ha terminado, gire el control de temperatura a OFF.

Selección de temperatura

Consulte el diagrama en la columna al lado para los reglajes recomendados. Si una comida no consta en la lista, comience con el reglaje medio. Si se desea una textura más tostada, quite la tapa o el papel de aluminio.

La mayoría de las comidas pueden mantenerse a la temperatura para servir usando el reglaje medio.

Cuando una combinación de comidas se han de mantener calientes (por ejemplo, una carne con 2 vegetales y panecillos), utilice el reglaje HI.

No abra el cajón calentador sin necesidad mientras está en función para eliminar la pérdida de calor del cajón.

Para calentar platos y escudillas vacios para servir

Utilice el ajuste LO para calentar los platos y escudillas vacios antes de servir la comida. Ponga los platos vacios en la parrilla del cajón para que no se queden en contacto con el fondo del cajón. Para calentar los platos o la porcelana delicada, consulte con el fabricante para saber su tolerancia de calor máxima.



Limpieza general

Superficies

Cómo limpiarlas

Vinilo

Use agua caliente jabonosa y un paño. Seque con un paño limpio.

Plástico

Perilla de control, panel de control

Para quitar las perillas de control, ponga todos el control en OFF; quítelas tirando de cada una directamente hacia afuera de la espiga. Limpie usando agua caliente jabonosa y un paño. Enjuague con agua limpia y un paño. Asegúrese de exprimir el exceso de agua del paño antes de limpiar el panel; especialmente cuando se limpia alrededor de los controles. El exceso de agua alrededor de los controles puede dañar el aparato. Para reinstalar la perilla después de limpiar, haga coincidir el lado plano del interior de la perilla con el de la espiga. Luego, meta la perilla a presión en su lugar.

Acero inoxidable

Puerta

Se recomienda limpiadores fabricados especialmente para la limpieza de acero inoxidable. Siempre siga las instrucciones del fabricante. Asegúrese de que enjuague bien para quitar los limpiadores. **No use limpiadores con altas concentraciones de cloruros o cloro.** No use limpiadores ásperos. **NO** limpie la junta de la puerta. La junta de la puerta está hecho de un material tejido que es esencial para un sello bueno. Tenga cuidado de no refregar, dañar ni quitar la junta.

Porcelana esmaltada

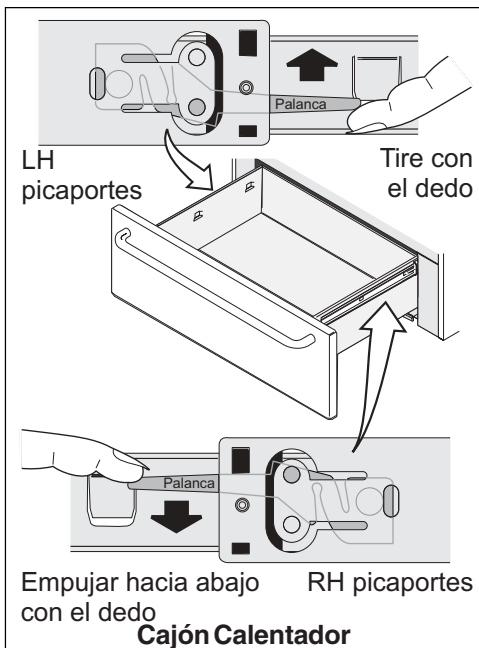
Revestimiento de la puerta, piezas de la unidad y el interior del cajón

Si se restriegan suavemente con una almohadilla enjabonada, se quitará la mayoría de las manchas. Enjuague con una solución que contenga partes iguales de agua limpia y amoníaco. De ser necesario, cubra las manchas difíciles con una toalla de papel empapada en amoníaco, déjela durante 30 a 40 minutos. Enjuague con agua limpia y un paño húmedo, y luego restriegue con una almohadilla rellena de jabón. Enjuague y seque con un paño limpio. Quite todo el limpiador porque la porcelana podría dañarse la próxima vez que se caliente. **NO** deben usarse rociadores para hornos.

Parrilla del cajón calentador

Se puede quitar la parrilla para la limpieza. Use un limpiador abrasivo suave para lavarla, siguiendo las instrucciones del fabricante. Enjuague con agua limpia y seque.

⚠ ADVERTENCIA Gire la perilla de control del cajón calentador hacia OFF antes de sacar el cajón. **NO** toque el elemento del cajón calentador. Es posible que el elemento esté bastante caliente para causar quemaduras, aún si no lo aparece.



Para quitar y reponer el cajón calentador

Para quitar el cajón calentador:

1. **⚠ ATENCION** Apague la estufa antes de sacar la gaveta calentadora.
2. Abra completamente la gaveta.
3. Localice los pestillos en cada lado del cajón calentador.
4. Ubique la palanca de la corredera a cada lado de la gaveta, tire de la palanca de la corredera del lado izquierdo y empuje hacia abajo en la palanca de la corredera del lado derecho (Ver Figura 1).
5. Tire de la gaveta para sacarla de la estufa.
6. Para limpiar el cajón, véase el diagrama de limpieza en la página 21.

Para volver a poner el cajón calentador:

1. Alinee los pestillos de los raíles en ambos lados del cajón con las ranuras en el cajón.
2. Empuje el cajón hasta que se quede en posición.



⚠ ADVERTENCIA Se puede provocar un choque eléctrico y ocasionar lesiones graves o fatales. Desconecte el suministro eléctrico del electrodoméstico antes de limpiar y efectuar el mantenimiento de la gaveta calentadora.

Antes de llamar

Soluciones de Problemas Comunes



PROBLEMA

CAUSA POSIBLE/SOLUCION

El cajón calentador no está nivelada.

Mala instalación. Ponga un nivel en la base de la abertura. Asegúrese de que la base está nivelada.

Asegúrese de que la base de la abertura es bastante fuerte y estable para soportar el cajón calentador (y un horno entegrado, si hay uno).

No se puede mover el aparato fácilmente. Debe tenerse acceso al cajón calentador para darle servicio.

Los armarios no están bien a escuadra o quedaron muy apretados. Llamar a un ebanista para corregir el problema.

El aparato no funciona en absoluto.

Asegúrese de que el cordón eléctrico/enchufe esté enchufado correctamente en su tomacorriente.

La instalación eléctrica no está completa. Llame a su representante o agente de servicio autorizado.

Falla de corriente. Verifique si se pueden encender las luces de la casa. Llame a la compañía de servicio eléctrico local.



GARANTIA LIMITADA

Su cajón calentador está protegido por esta garantía

	PERIODO DE GARANTÍA	LA EMPRESA, A TRAVÉS DE SUS CENTROS DE SERVICIO TÉCNICO AUTORIZADO	EL CONSUMIDOR ES RESPONSABLE DE:
GARANTÍA COMPLETA POR UN AÑO	Un año a partir de la fecha original de compra.	Pagará todos los costos de reparación o reemplazo de piezas de este aparato que tengan defectos en los materiales o en la mano de obra.	Usted deberá cancelar los costos de las visitas de servicio técnico que se describen en la sección RESPONSABILIDADES NORMALES DEL CONSUMIDOR.*
GARANTÍA LIMITADA (Para el Estado de Alaska)	Los periodos de tiempo especificados anteriormente	Se aplican todas las disposiciones de las garantías completas anteriores, así como las exclusiones enumeradas a continuación.	Costos de traslado del técnico a su hogar y a cualesquiera costos para recoger y entregar el aparato que sean necesarios por concepto de servicio técnico.

En los Estados Unidos, su aparato está garantizado por Electrolux Home Products North America. En Canadá, su aparato está garantizado por Electrolux Canada Corp. No autorizamos a nadie a cambiar ni ampliar ninguna de nuestras obligaciones estipuladas en esta garantía. Nuestras obligaciones en cuanto a servicio técnico y repuestos estipuladas en esta garantía deben ser llevadas a cabo por la empresa o un centro de servicio técnico autorizado por Electrolux Home Products North America.

*RESPONSABILIDADES NORMALES DEL CONSUMIDOR

Esta garantía solamente a los productos cubre de uso doméstico normal y el consumidor es responsable por lo siguiente:

1. Uso correcto del aparato de acuerdo con las instrucciones proporcionadas con el producto.
2. Instalación correcta por un técnico autorizado de acuerdo con las instrucciones proporcionadas con el aparato y conforme con las normativas locales de instalaciones eléctricas, de gas o plomería.
3. Conexión adecuada a una fuente de energía eléctrica con conexión a tierra y con el voltaje apropiado, cambio de fusibles fundidos, reparación de conexiones sueltas o defectos en el cableado del hogar.
4. Gastos de hacer accesible el aparato para el servicio técnico, como quitar la banda decorativa, gabinetes, anaqueles, etc., que no formaban parte del aparato cuando fue despachado desde la fábrica.
5. Daños al acabado después de la instalación.
6. Reemplazo de bombillas y/o tubos fluorescentes (en los modelos con estas características).

EXCLUSIONES

Esta garantía no cubre lo siguiente:

1. DAÑOS CONSECUENTES O INCIDENTALES, TALES COMO LOS DAÑOS A LA PROPIEDAD Y GASTOS INCIDENTALES RESULTANTES DE CUALQUIER INCUMPLIMIENTO DE ESTA GARANTÍA ESCRITA O CUALQUIER OTRA GARANTÍA IMPLÍCITA.

NOTAS: Algunos estados no permiten la exclusión o limitación de daños incidentales o consecuentes, por lo que la presente limitación o exclusión podría no aplicarse en su caso.

2. Visitas de servicio técnico que no se refieran a mal funcionamiento o defectos en la mano de obra o en los materiales, o que se refieran a aparatos que no tengan uso doméstico. El consumidor pagará por dichas visitas.
3. Daños causados por servicio técnico realizado por personal técnico que no sea de Electrolux Home Products North America ni esté autorizado por Electrolux Home Products North America; el uso de repuestos distintos a los repuestos genuinos de Electrolux Home Products, obtenidos de personas que no sean dichos técnicos de servicio; o causas externas como abuso, mal uso, suministro de energía inadecuado o hechos fortuitos.
4. Productos con los números de serie originales eliminados o alterados y que no puedan determinarse oportunamente.

Conserve la factura de compra, el recibo de entrega o cualquier otro registro de pago apropiado. La fecha de la factura determina el período de garantía, si se requiere servicio técnico. Si se realiza el servicio técnico, le conviene obtener y conservar todos los recibos. Esta garantía escrita le otorga ciertos derechos legales. Usted puede tener otros derechos que varían de acuerdo a la legislación estatal. El servicio técnico estipulado en esta garantía debe ser solicitado a través de Electrolux Home Products en el siguiente teléfono y dirección:

SI REQUIERE SERVICIO

Esta garantía es válida sólo en los 50 estados de EE.UU., en Puerto Rico, y Canadá. Las características o especificaciones descritas o ilustradas están sujetas a cambios sin previo aviso. Todas las garantías las otorga Electrolux Home Products North America o Electrolux Canada Corp.

2004_02

USA
800•944•9044
 Electrolux Home Products, Inc.
 P.O. Box 212378
 Augusta, GA 30917

Canada
866•294•9911 (English or French)
 Electrolux Canada Corp.
 6150 McLaughlin Road
 Mississauga, Ontario, Canada
 L5R 4C2

Manuel d'utilisation et d'entretien

Tiroir-réchaud

Bienvenue	2	
Mesures de sécurité importantes	3-4	
Avant le réglage de la commande	4	
Réglage de la commande	5	
Entretien et nettoyage	6	
Avant de faire appel au service après-vente Solutions aux problèmes communs	7	
Garantie	8	

Consultez notre site web Frigidaire à:
<http://www.frigidaire.com>



Bienvenue & Félicitations

Questions?

1-800-944-9044

(Etas-Unis)

1-866-294-9911

(Canada)

S'il vous plaît veuillez apposer ici le reçu de vente pour référence future

Félicitation pour l'achat de votre nouvel appareil! Chez **Electrolux Home Products**, Nous sommes très fières de nos produits et complètement dévoué a vous offrir le meilleur service possible. Votre satisfaction est notre première priorité.

Nous savon que vous allez apprécier votre nouvel appareil et Merci D'avoir choisi l'un de nos produits. Nous espérons que vous nous considérerez pour vos achats futurs.

S'IL VOUS PLAÎT LIRE SOIGNEUSEMENT ET CONSERVER CES INSTRUCTIONS

Ce manuel d'utilisation & d'entretien contient des instructions pour le fonctionnement général de votre appareil et des informations sur les caractéristiques de différents modèles. Il se peut que votre appareil n'aille pas toutes les caractéristiques décrites. Les illustrations ne sont que représentatives. Les illustrations sur votre appareil pourraient différer de ceux du manuel. Les instructions données dans ce guide ne couvrent pas toutes les conditions et situations possibles. Usez de bon sens et de prudence lors de l'installation, de l'emploi et de l'entretien de tout appareil ménager.

Enregistrez les numéros de modèle et de série de votre appareil pour référence future.

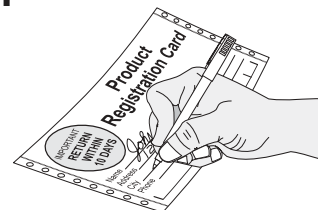
Numéro de modèle: _____

Numéro de série: _____

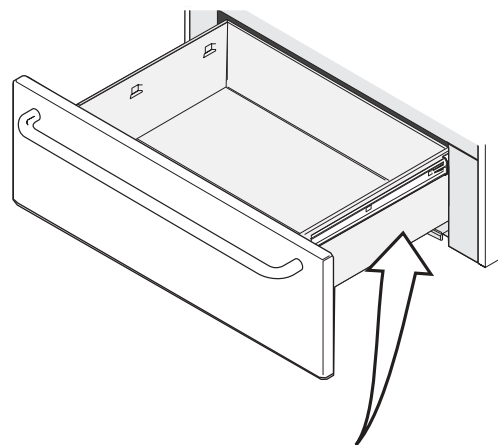
Date de l'achat: _____

Enregistrement de l'appareil

Enregistrez votre appareil La **CARTE D'ENREGISTREMENT** doit être remplie avec soin, puis signée et retournée à la compagnie Produits Electrolux Nord-Américains.



Emplacement de la Plaque de Série



Emplacement de la Plaque de Série

Mesures de sécurité importantes



Lisez toutes les directives avant d'utiliser l'appareil. Conservez ces directives pour référence future.

Ce guide contient des instructions et symboles de sécurité importants. Veuillez faire particulièrement attention à ces symboles et suivre les instructions données. Voici une brève explication de ces symboles.

⚠ AVERTISSEMENT Ce symbole vous prévient des situations qui risquent d'entraîner de graves blessures, la mort ou des dommages matériels.

⚠ MISE EN GARDE Ce symbole vous prévient des situations pouvant entraîner des blessures ou dommages matériels.

- **Enlevez tout le ruban et les matériaux d'emballage avant d'utiliser le tiroir-réchaud. Détruisez le cartonnage et les sacs en plastique après le déballage de l'appareil.** Ne laissez jamais les enfants jouer avec les matériaux d'emballage.
- **Installation: assurez-vous que l'appareil est correctement installé et mis à la terre par un technicien qualifié, conformément à la dernière édition de la norme ANSI/NFPA No. 70 dernière édition du National Electrical Code aux États-Unis, ou de la norme C22.1 de l'ACNOR, code canadien de l'électricité, partie 1, ainsi qu'aux codes de la région.** N'installez la cuisinière que selon les instructions d'installation fournies dans la documentation.
Demandez à votre marchand de vous recommander un technicien qualifié ainsi qu'un centre de réparation autorisé. Sachez comment couper le courant électrique qui alimente le tiroir-réchaud à la boîte de fusibles ou au coupe-circuit en cas d'urgence.
- **Entretien par l'utilisateur: ne réparez pas ou ne remplacez pas des pièces de l'appareil à moins d'une recommandation précise dans ce guide.** Toutes les réparations doivent être faites par un technicien qualifié, afin de réduire les risques de blessure et de dommage à l'appareil.
- **Ne modifiez jamais l'appareil, que ce soit en enlevant des panneaux, protège-fils, plaques de retenue ou toute autre pièce.**

⚠ AVERTISSEMENT Ne vous servez pas du tiroir-réchaud comme espace de rangement.

⚠ AVERTISSEMENT Il y a risque de blessures pour les personnes ou de dommages pour le tiroir de monter, de s'appuyer dessus ou de s'asseoir sur la porte ou dans le tiroir. Ne laissez pas les enfants grimper sur le tiroir-réchaud ou jouer autour. Un tiroir ouvert, s'il est chaud, peut causer des brûlures.

- **Rangement dans ou sur l'appareil: ne rangez pas dans le tiroir-réchaud des matériaux inflammables,** ceci comprend les papiers, plastiques, tissus, livres de cuisine, objets en plastique et torchons, ainsi que les liquides inflammables. Ne rangez pas sur ou près du tiroir des produits comme les produits en aérosol, qui risquent d'exploser et d'entraîner un incendie ou des dégâts matériels.
- **Ne laissez pas les enfants seuls: ne les laissez pas seuls ou sans surveillance dans un lieu où un appareil fonctionne.** Ne les laissez jamais s'asseoir ou se tenir debout sur une pièce quelconque de l'appareil.
- **NE TOUCHEZ PAS LES SURFACES INTÉRIEURES DU TIROIR-RÉCHAUD.** Les surfaces peuvent être suffisamment chaudes même si leur couleur est foncée. Pendant et après toute utilisation, ne touchez pas et ne laissez pas les vêtements ou autres produits inflammables venir en contact avec ces zones, à moins qu'elles aient eu le temps de se refroidir.
- **Portez des vêtements appropriés: ne portez jamais de vêtements amples ou flottants en utilisant cet appareil.** Ne laissez pas les matériaux inflammables et les vêtements venir en contact avec des surfaces chaudes.
- **N'utilisez que des mitaines isolantes sèches: des mitaines mouillées ou humides en contact avec des surfaces chaudes peuvent causer des brûlures par la vapeur.** Ne laissez pas les mitaines isolantes toucher les éléments chauds. Ne vous servez pas d'un torchon ni d'un chiffon à la place d'une mitaine.
- **Ne réchauffez pas des contenants non ouverts: l'accumulation de pression peut faire exploser le contenant et causer des blessures.**
- **IMPORTANT: n'essayez pas de faire fonctionner le tiroir-réchaud lors d'une panne de courant. En cas de panne, mettez toujours les commandes du tiroir à arrêt.** Sinon, lorsque le courant reviendra, l'appareil se mettra à fonctionner de nouveau et la nourriture laissée sans surveillance pourrait se gâter.

⚠ AVERTISSEMENT

- Tous les tiroir-réchauds peuvent se renverser.
- Il peut en résulter des blessures.
- Installez les plaques de retenues fournies avec l'appareil.
- Voyez les instructions d'installation.

⚠ AVERTISSEMENT

Pour réduire le risque de renversement du tiroir-réchaud, celui-ci doit être correctement fixé par des plaques de retenue, fournies avec l'appareil. Pour vérifier si ces plaques de retenue sont correctement installées, prenez et tirez sur la poignée de tiroir en essayant de la faire sortir de l'ouverture. Reportez-vous aux instructions d'installation pour bien savoir comment installer les plaques de retenue.



Mesures de sécurité importantes

⚠ AVERTISSEMENT N'utilisez jamais votre appareil pour réchauffer ou chauffer une pièce.

INSTRUCTIONS IMPORTANTES POUR L'UTILISATION DU TIROIR-RÉCHAUD

- **Revêtements protecteurs:** n'utilisez pas de papier d'aluminium pour recouvrir l'intérieur du tiroir. Tout autre usage de revêtement protecteur ou de papier d'aluminium peut causer une baisse de performance ou endommager l'appareil. Utilisez uniquement le papier d'aluminium tel que recommandé pour la cuisson; il sert à recouvrir les aliments.
- **Ustensiles de cuisson en poterie:** seuls certains types d'ustensiles en verre/céramique, céramique, poterie, peuvent être utilisés sans se casser par suite d'un changement brusque de température. Vérifiez les recommandations du fabricant.
- **Soyez prudent en ouvrant le tiroir-réchaud:** tenez-vous sur le côté de l'appareil pour ouvrir la porte d'un tiroir chaud. Laissez la vapeur ou l'air chaud s'échapper avant de placer ou d'enlever la nourriture.
- **Emplacement des grilles du tiroir-réchaud.** Placez toujours les grilles à l'endroit voulu lorsque le tiroir est froid. Si la grille doit être déplacée alors que le tiroir est chaud, soyez extrêmement prudent. Servez-vous de gants isolants et saisissez la grille des deux mains pour la remettre en place. Ne laissez pas les gants entrer en contact avec l'élément ou

l'intérieur du tiroir-réchaud. Enlevez tous les ustensiles déposés sur la grille avant de la déplacer.

INSTRUCTIONS DE NETTOYAGE IMPORTANTES

- **Nettoyez régulièrement le tiroir pour que toutes ses pièces soient libres de graisse risquant de s'enflammer.** Maintenez propres les filtres à graisse et les hottes d'évacuation propres. Ne laissez pas la graisse s'y accumuler. Les dépôts de graisse dans le ventilateur pourraient s'enflammer.
- **Produits de nettoyage/produits en aérosol** — Toujours suivre les recommandations du fabricant. Ne pas oublier que tout dépôt laissé par les produits de nettoyage ou les produits en aérosol peuvent s'enflammer et causer des dommages ou des blessures.

AVIS DE SÉCURITÉ IMPORTANT

Le décret Californien de régulation des déchets toxiques et de la qualité de l'eau potable demande au Gouverneur de la Californie de rendre publique l'énumération des substances causant le cancer, les malformations congénitales ou autres dommages de reproduction connues à l'état, et exige que les entreprises avertissent leurs clients des risques potentiels d'exposition à ces substances.

CONSERVEZ CES INSTRUCTIONS



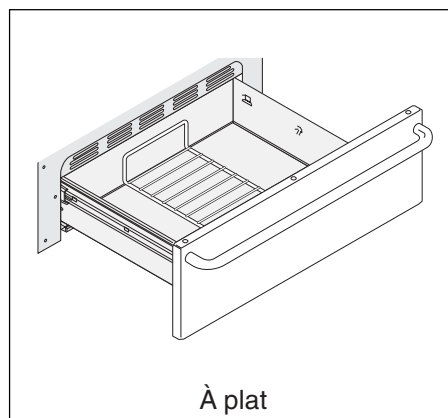
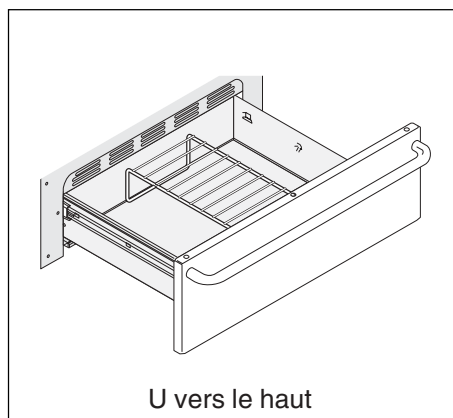
Avant le réglage de la commande du tiroir-réchaud

Disposition de la grille du tiroir-réchaud

Disposez la grille du tiroir-réchaud comme illustré ci-dessous.

La grille peut être utilisée de 2 façons :

- Grille en **U vers le haut** pour permettre de disposer des aliments de moindre dimension sur et sous la grille (par exemple, petits pains ou biscuits sur la grille et casserole en dessous).
- Grille **à plat** sur le fond pour permettre de disposer des aliments de moindre poids et la vaisselle vide (par exemple, petits pains ou pâtisseries et assiettes à dîner).



Réglage de la commande du tiroir-réchaud



Utilisez le tiroir-réchaud pour garder les aliments chauds comme : les légumes, sauces, viandes, casseroles, biscuits et petits pains, pâtisseries et assiettes à dîner chaudes.

Le tiroir-réchaud est équipé d'un loquet qui peut exiger assez d'effort pour ouvrir et fermer le tiroir.

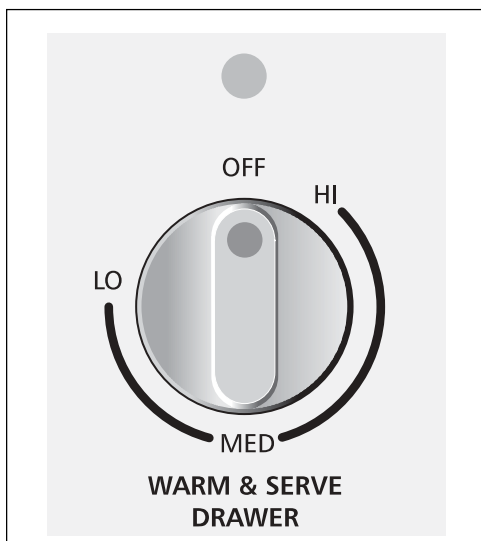


Tableau des réglages recommandés pour le tiroir-réchaud

<u>Aliments</u>	<u>Réglage</u>
Rôtis (Boeuf, Porc, Agneau)	MED
Côtes de porc	HI
Bacon	HI
Hamburger	HI
Volaille	HI
Sauces	MED
Plats en casseroles	MED
Oeufs	MED
Aliments frits	HI
Légumes	MED
Pizza	HI
Biscuits	MED
Petits pains, mous	LO
Petits pains, durs	MED
Pâtisseries	MED
Assiettes à dîner vides	LO
Poisson, fruits de mer	MED
Jambon	MED
Crêpes, gaufres	HI
Tartes	MED
Patates (cuites au four)	HI
Patates en purée	MED

Pour faire fonctionner le tiroir-réchaud

Le tiroir-réchaud a pour fonction de conserver les aliments chauds à la température de service. Commencez toujours avec des mets chauds. Il n'est pas recommandé de chauffer des aliments froids dans le tiroir-réchaud.

Tous les aliments placés dans le tiroir-réchaud doivent être recouverts d'un couvercle ou d'une feuille de papier d'aluminium pour conserver leur humidité et les garder tendres. Ne couvrez pas les aliments croustillants. **N'utilisez pas de plastique pour recouvrir les aliments. Le plastique risque de fondre dans le tiroir et d'être très difficile à nettoyer.**

Utilisez seulement la vaisselle, les ustensiles et plats à cuisiner recommandés pour cuisson au four dans le tiroir-réchaud.

⚠ MISE EN GARDE Utilisez toujours des poignées ou des mitaines pour four pour retirer les aliments du tiroir-réchaud car les ustensiles et plats s'y trouvant sont chauds.

Témoin lumineux

Le témoin lumineux est situé au dessus de la commande du thermostat. Il s'allume lorsque la commande est réglée et reste allumé jusqu'à ce qu'on l'éteigne. Assurez-vous que le témoin lumineux soit éteint lorsque les aliments sont retirés du tiroir.

Réglage de la commande du thermostat

La commande du thermostat est utilisée pour sélectionner la température du tiroir-réchaud. Elle est située du côté droit du tiroir-réchaud et devient visible en ouvrant le tiroir. Les températures sont approximatives et désignées par HAUT (HI), MOYEN (MED) et BAS (LO). La commande peut être réglée à un de ces réglages ou à tout autre réglage entre ces repères.

1. Pour régler le thermostat, appuyez sur le bouton et tournez-le au réglage désiré.
2. Pour de meilleurs résultats, préchauffez le tiroir avant d'ajouter les aliments. Un tiroir vide atteindra la température du réglage BAS (LO) en 12 minutes environ, le réglage MOYEN (MED) prendra environ 15 minutes alors que le réglage HAUT (HI) atteindra sa température en 18 minutes.
3. Lorsque vous aurez terminé, tournez le bouton de commande thermostat à OFF (ARRÊT).

Sélection de température

Référez-vous au tableau dans la colonne ci-contre pour les réglages recommandés. Si un aliment n'est pas énuméré, commencez par le réglage moyen. Si vous préférez que l'aliment soit plus croustillant, enlever le couvercle ou le papier d'aluminium qui le recouvre.

La plupart des aliments peuvent être conservés aux températures de service en utilisant le réglage moyen.

Lorsqu'une combinaison d'aliments doit être gardée au chaud, utilisez le réglage élevé (HI) (par exemple, de la viande avec 2 légumes et petits pains).

Évitez d'ouvrir le tiroir-réchaud pendant qu'il fonctionne afin d'éliminer la perte de chaleur.

Pour réchauffer les bols et assiettes de service

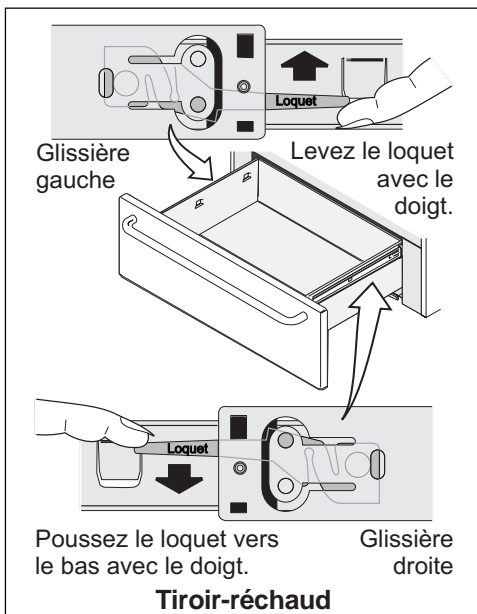
Réglez le chauffage à BAS (LO) pour réchauffer les bols et assiettes. Placez les plats vides sur la grille pour qu'ils ne touchent pas le fond du tiroir. Vérifiez auprès du fabricant pour déterminer le degré de chaleur que peuvent tolérer les articles en porcelaine.



Nettoyage général

Surfaces	Méthodes de nettoyage
Vinyle	Utilisez de l'eau chaude savonneuse et un chiffon. Séchez à l'aide d'un chiffon propre.
Plastique Bouton de commande, panneau de commande	Tournez le bouton de commande à OFF (ARRÊT) avant de le retirer. Serrez-le fermement et tirez-le tout droit hors de l'axe. Nettoyez en suivant les directives qui figurent ci-dessus. Rincez à l'eau claire à l'aide d'un chiffon. Essorez le chiffon avant d'essuyer le panneau (surtout pour essuyer le contour des commandes). Tout excédent d'eau à l'intérieur ou autour des commandes peut endommager l'appareil. Pour replacer le bouton après l'avoir nettoyé, alignez le plat dans la cavité du bouton avec le plat de l'axe et poussez le bouton en place.
Acier inoxydable Porte	Les nettoyeurs conçus spécialement pour l'acier inoxydable sont recommandés. Rincez tout résidu de nettoyeur. N'utilisez pas de produit de nettoyage comportant des concentrations élevées de chlore ou de chlorures. N'utilisez pas de produit de récurage agressif. NE PAS nettoyer le joint de la porte. Le joint est essentiel à l'étanchéité de la porte. Il faut prendre soin de ne pas frotter, endommager ni retirer le joint.
Émail Revêtement de la porte, pièces du châssis, et l'intérieur de la cavité du tiroir-réchaud	L'utilisation délicate d'un tampon à récurer savonneux permet d'enlever la plupart des taches. Rincez à l'aide d'une solution contenant des parts égales d'eau claire et d'ammoniaque. <i>Au besoin</i> , couvrez les taches tenaces d'un essuie-tout imbibé d'ammoniaque pendant 30 à 40 minutes. Rincez avec de l'eau claire et un chiffon, puis frottez délicatement avec un tampon à récurer savonneux. Rincez et séchez à l'aide d'un chiffon propre. Retirez toute trace de nettoyeur sans quoi l'émail pourrait être endommagé par la chaleur. NE PAS utiliser de nettoyeur en aérosol pour four.
Grille du tiroir-réchaud	La grille peut être retirée pour être nettoyée. Si vous l'enlevez, nettoyez-la avec un nettoyeur abrasif doux en suivant les instructions du fabricant. Rincez-la à l'eau propre et asséchez-la.

⚠ AVERTISSEMENT Tournez le bouton de commande du tiroir-réchaud à OFF (ARRÊT) avant de retirer le tiroir. **Ne touchez pas** à l'élément du tiroir-réchaud. L'élément peut être encore chaud et causer des brûlures même s'il est de couleur foncée.



Pour retirer et replacer le tiroir-réchaud

Pour enlever le tiroir-réchaud:

1. **⚠ ATTENTION** Interrompez le courant avant d'enlever le tiroir-réchaud.
2. Ouvrez complètement le tiroir.
3. Localisez les loquets des deux côtés du tiroir-réchaud.
4. Levez le loquet de la glissière gauche et poussez vers le bas le loquet de la glissière droite.
5. Enlevez le tiroir de l'appareil.
6. Pour nettoyer le tiroir-réchaud, utilisez délicatement un tampon à récurer savonneux pour enlever les taches. Rincez à l'aide d'une solution contenant des parts égales d'eau claire et d'ammoniaque. *Au besoin*, couvrez les taches tenaces d'un essuie-tout imbibé d'ammoniaque pendant 30 à 40 minutes. Rincez avec de l'eau claire et un chiffon, puis frottez délicatement avec un tampon à récurer savonneux. Rincez et séchez à l'aide d'un chiffon propre. Retirez toute trace de nettoyeur sans quoi l'émail pourrait être endommagé par la chaleur. **NE PAS** utiliser de nettoyeur en aérosol pour four sur la surface de cuisson.

Pour replacer le tiroir-réchaud :

1. Alignez les loquets des glissières des deux côtés du tiroir avec les guides du tiroir.
2. Poussez le tiroir dans l'appareil.



⚠ AVERTISSEMENT Risque de choc électrique pouvant occasionner des blessures graves ou la mort. Débranchez l'appareil du courant électrique avant le service d'entretien ou avant d'enlever ou de replacer le tiroir-réchaud.

Avant de faire appel au service après-vente

Solutions aux problèmes communs



INCIDENT

CAUSE POSSIBLE ET SOLUTION

Le tiroir-réchaud n'est pas à niveau.

Mauvaise installation. Déposez un niveau à bulle sur le plancher du découpage du tiroir-réchaud. Vérifiez si le fond du découpage est de niveau.

Assurez-vous que le plancher du découpage est solide et capable de supporter adéquatement le tiroir-réchaud (en plus du four encastré si applicable).

On ne peut pas déplacer l'appareil facilement. L'appareil doit être accessible pour l'entretien.

Les armoires ne sont pas d'équerre ou le découpage est trop petit. Communiquez avec le constructeur ou l'installateur afin de rendre l'appareil accessible.

Rien ne fonctionne.

Assurez-vous que le cordon d'alimentation est correctement raccordé.

Le branchement n'est pas achevé. Communiquez avec votre détaillant, l'installateur ou l'agent de service autorisé.

Panne de courant. Vérifiez les lumières de la maison pour être sûr qu'il s'agit bien d'une panne. Communiquez avec votre fournisseur d'électricité pour rétablir le service.



GARANTIE LIMITEE

Votre tiroir-réchaud est protégé par cette garantie

	PÉRIODE DE GARANTIE	PAR L'ENTREMISE DE NOS PRÉPOSÉS À L'ENTRETIEN AUTORISÉS:	RESPONSABILITÉ DU CLIENT
GARANTIE COMPLÈTE DE UN ANS	Un an à partir de la date d'achat.	tout les frais de réparation ou de remplacement de toute pièce de cet appareil présentant des défauts de matériaux ou de fabrication.	Le coût des visites d'un réparateur pour des items classés sous la liste RESPONSABILITÉS NORMALES DU CLIENT .*
GARANTIE LIMITEE (Applicable dans l'état d'Alaska uniquement)	Les périodes de temps indiquées ci-dessus.	Toutes les dispositions de la garantie complète indiquées ci-dessus et les exclusions indiquées ci-dessous s'appliquent	Les coûts de déplacement du réparateur et de transport de l'appareil requis pour effectuer les réparations.

Aux États-Unis, votre appareil est garanti par Produits Electrolux Nord-Américains. Au Canada, votre appareil est garanti par Electrolux Canada Corp. Nous n'autorisons aucune personne à modifier ou à ajouter quelle qu'obligation que ce soit à cette garantie. Nos obligations concernant les réparations ou les pièces couvertes par cette garantie doivent être effectuées par Produits Electrolux Nord-Américains ou par un dépositaire de service autorisé de Produits Electrolux Nord-Américains.

*RESPONSABILITÉS NORMALES DU CLIENT

Cette garantie s'applique uniquement aux produits utilisés à des fins domestiques et le client est responsable pour les items inclus dans la liste ci-dessous :

1. Une utilisation appropriée de l'appareil conformément aux instructions fournies avec le produit.
2. Une installation appropriée par un dépositaire de service autorisé conformément aux instructions fournies avec l'appareil et à tous les codes locaux de plomberie, d'électricité et/ou de gaz.
3. Un branchement approprié à une prise de courant avec mise à la terre et à une tension suffisante, ainsi que le remplacement des fusibles grillés, la réparation des branchements défectueux ou défectueux.
4. Les coûts pour rendre l'appareil accessible pour les réparations, comme l'enlèvement de garnitures, d'armoires, d'étagères, etc., qui ne faisaient pas partie de l'appareil à sa sortie de l'usine.
5. Les dommages au fini après l'installation.
6. Le remplacement des ampoules électriques et/ou des tubes fluorescents (sur les modèles qui présentent ces caractéristiques).

EXCLUSIONS

Cette garantie ne couvre pas :

1. LES DOMMAGES INDIRECTS OU CONSÉCUTIFS, COMME LES DOMMAGES À LA PROPRIÉTÉ OU LES FRAIS CONSÉCUTIFS RÉSULTANT D'UN MANQUEMENT DE QUELLE QUE NATURE QUE CE SOIT DE CETTE GARANTIE ÉCRITE OU DE TOUTE AUTRE GARANTIE IMPLICITE.
REMARQUE : Certains états ou provinces ne permettent pas l'exclusion ou la limitation des dommages indirects ou consécutifs, il est donc possible que cette limitation ne s'applique pas à votre cas.
2. Les appels de service non reliés à un mauvais fonctionnement ou à une défaillance de matériaux ou de fabrication ou pour les appareils qui ne servent pas à des fins domestiques. Le client devra assumer les frais de ces appels de service.
3. Les dommages causés par un entretien effectué par un dépositaire non autorisé par Produits Electrolux Nord-Américains; l'utilisation de pièces autres que les pièces authentiques de Produits Electrolux Nord-Américains ou obtenues par une personne autre qu'un dépositaire autorisé ou encore des causes extérieures comme une utilisation abusive, un mauvais usage, une alimentation électrique inadéquate ou une catastrophe naturelle.
4. Les produits dont les numéros de série d'origine ont été enlevés ou effacés et qui ne peuvent être lus.

SI VOUS AVEZ BESOIN DE SERVICE

Garder votre facture, le bordereau de livraison ou toute autre preuve de versement effectué. La date de la facture indique le début de la période de garantie dans l'éventualité où une réparation serait requise. Il est dans votre intérêt de demander et de conserver tous les reçus. Cette garantie écrite vous donne des droits légaux spécifiques. Il est possible que vous ayez également d'autres droits qui varient selon les régions. Les services couverts par cette garantie doivent être obtenus en contactant Produits Electrolux Nord-Américains:

Cette garantie ne s'applique qu'aux 50 états des États-Unis, Puerto Rico, et Canada. Les caractéristiques du produit décrites ou illustrées sont sujettes à des modifications sans préavis. Toutes les garanties sont émises par Produits Electrolux Nord-Américains ou par Electrolux Canada Corp.

2004_02

USA
1•800•944•9044
 Produits Electrolux
 Nord-Américains
 P.O. Box 212378
 Augusta, GA 30917

Canada
1•866•294•9911
 Produits Electrolux
 Nord-Américains
 802, boul. L'Ange-Gardien
 L'Assomption, Québec
 J5W 1T6

Free Manuals Download Website

<http://myh66.com>

<http://usermanuals.us>

<http://www.somanuals.com>

<http://www.4manuals.cc>

<http://www.manual-lib.com>

<http://www.404manual.com>

<http://www.luxmanual.com>

<http://aubethermostatmanual.com>

Golf course search by state

<http://golfingnear.com>

Email search by domain

<http://emailbydomain.com>

Auto manuals search

<http://auto.somanuals.com>

TV manuals search

<http://tv.somanuals.com>