



# Slide-In Ranges

FFES3005L W/B

30" Electric



## Product Dimensions

Height (Adjustable)	35-5/8" - 36-5/8"
Width	30"
Depth	28-5/16"

## More Easy-To-Use Features

### Hi/Lo Broil Option

Offers two-position broiling and variable temperature control for more control.

### Color-Coordinated Oven Door with Large Window

Stylish look with a large window makes it easy to check on what's cooking without opening the door.

### Timed Cook Option

### Electronic Kitchen Timer

### Auto Preheat

### Bright Lighting

Our bright lighting makes it easy to see what's inside.

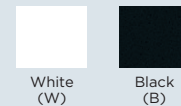
### Manual Clean Oven

### Chrome Drip Bowls

A.D.A. Compliant<sup>1</sup>

Sabbath Mode (Star-K® Certified)

## Available in:



## Signature Features

### Ready-Select™ Controls

Easily select options or control cooking temperature with our easy-to-use controls.

### Large Capacity

Our large capacity oven gives you room to cook more at once.

### Even Baking Technology

Our latest technology ensures even baking every time.

### Store-More™ Storage Drawer

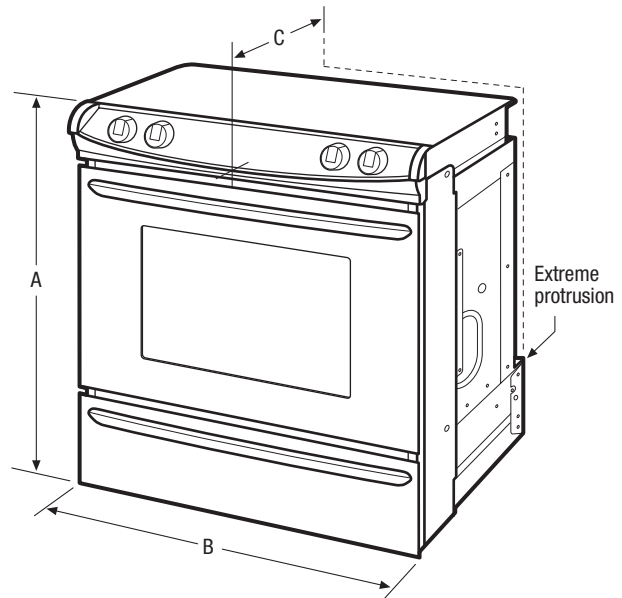
Our convenient drawer gives you extra storage space in your kitchen.

Elements	Size	Watts
Right Front	8"	2,600
Right Rear	6"	1,500
Left Front	6"	1,500
Left Rear	8"	2,600

<sup>1</sup>When properly installed, meets the appliance standards in the Americans with Disabilities Act and the Architectural Barriers Act Accessibility Guidelines as published by the United States Access Board on June 23, 2004, as amended August 5, 2005.

Features	
Oven Control/Timing System	Ready-Select™ Controls
Surface Type	Color-Coordinated Porcelain
Window	Large
Exterior Door Finish	Color-Coordinated
Handle Design	Color-Coordinated
Exterior Finish (Side Panels)	Color-Coordinated
Convection System	
Oven Cleaning System	Manual Clean
Drawer Functionality	Storage
Oven Controls	
Bake	Yes
Broil	Low and High
Add-a-Minute	
Delay Bake	
Self Clean	
Quick Clean Option	
Delay Clean	
Kitchen Timer	Yes
Timed Cook Option	Yes
Auto Oven Shutoff	
Cooktop Features	
Right Front Element (Watts)	8" - 2,600
Right Rear Element (Watts)	6" - 1,500
Left Front Element (Watts)	6" - 1,500
Left Rear Element (Watts)	8" - 2,600
Center Element (Watts)	
Hot Surface Indicator Light	
Coil Cooktop/Drip Bowls	Yes/Chrome
Oven Features	
Capacity (Cu. Ft.)	4.2
Oven Light	1
Hidden Bake Element	
Rack Configuration	2 Standard
Even Baking System	Yes
Broiling System	Vari-Broil™ Hi/Lo
Bake Element/Broil Element (Watts)	2,750 / 3,400
Optional Accessories	
Rear Filler Kit - White (W) / Black (B)	(W) PN # 901193-9011 (B) PN # 901193-9010
Side Panel Kit - White (W) / Black (B)	(W) PN # 903074-9011 (B) PN # 903074-9010
Backguard Kit - White (W) / Black (B)	(W) PN # 903046-9011 (B) PN # 903046-9010
Side Trim Kit - White (W) / Black (B)	(W) PN # 903075-9011 (B) PN # 903075-9010
Certifications	
A.D.A. Compliant <sup>1</sup>	Yes
Sabbath Mode (Star-K® Certified)	Yes
Specifications	
Oven Interior (H x W x D)	16-1/2" x 24-1/8" x 18-1/32"
Power Supply Connection Location	Left Bottom Rear
Voltage Rating	240V / 208V / 60Hz
Connected Load (kW Rating) @ 240/208 Volts	11.2 / 8.4
Amps @ 240/208 Volts	46.6 / 40.4
Minimum Circuit Required (Amps)	40
Shipping Weight (Approx.)	155 Lbs.

<sup>1</sup>When properly installed, meets the appliance standards in the Americans with Disabilities Act and the Architectural Barriers Act Accessibility Guidelines as published by the United States Access Board on June 23, 2004, as amended August 5, 2005.



NOTE: For planning purposes only. Always consult local and national electric codes. Refer to Product Installation Guide for detailed installation instructions on the web at [frigidaire.com](http://frigidaire.com).



Product Dimensions	
A - Height (Adjustable)	35-5/8" - 36-5/8"
B - Width	30"
C - Depth	28-5/16"
Depth with Door Open 90°	45-1/2"

Cutout Dimensions	
Height (min.)	35-7/8"
Height (max.)	36-5/8"
Width (min.)	29-15/16"
Width (max.)	30-1/16" *
Depth (min.)	21-3/4"
Depth (max.)	22-1/8" **

\*Cutout and countertop cutout width should match.  
\*\*24" with optional backguard installed.

Accessories information available on the web at [frigidaire.com](http://frigidaire.com)

## Free Manuals Download Website

<http://myh66.com>

<http://usermanuals.us>

<http://www.somanuals.com>

<http://www.4manuals.cc>

<http://www.manual-lib.com>

<http://www.404manual.com>

<http://www.luxmanual.com>

<http://aubethermostatmanual.com>

Golf course search by state

<http://golfingnear.com>

Email search by domain

<http://emailbydomain.com>

Auto manuals search

<http://auto.somanuals.com>

TV manuals search

<http://tv.somanuals.com>