

# *Frigidaire*

## Factory Parts Catalog

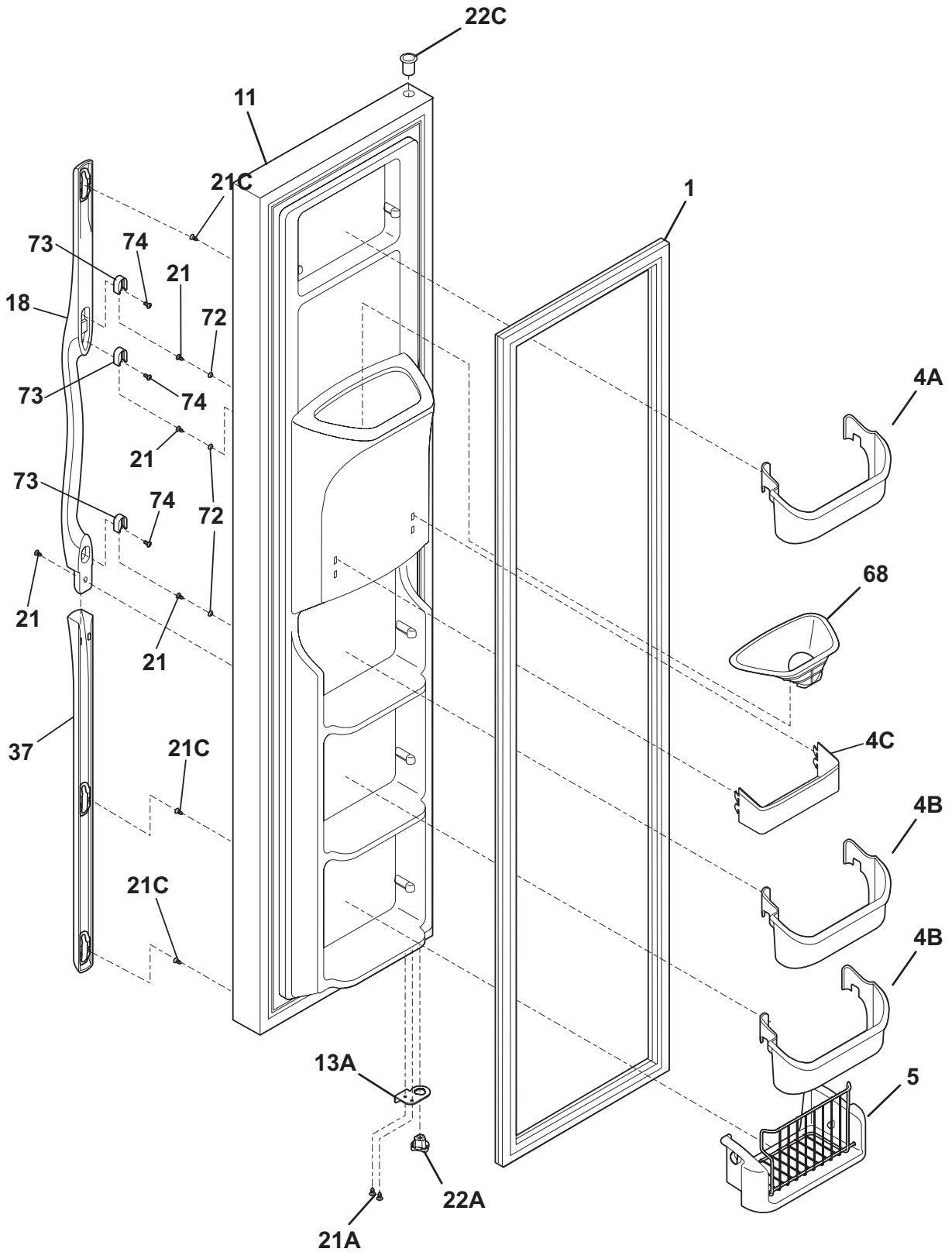
Product No.	GLHS68EESB0	GLHS68EESB3	GLHS68EESB5
Series	R134a Gallery	R134a Gallery	R134a Gallery
Color	stain/blk	stain/blk	stain/blk
Volts	115	115	115
Wiring Diagram	241622001	241660401	241660401
Owner's Guide	241622401	241622401	241622401
Market	North America	North America	North America
Energy Guide	241649206	241649206	241649206
Service Data Sheet	240389620	240389623	240389623

### **SIDE-BY-SIDE REFRIGERATOR**

Model No.  
**GLHS68EE**

Publication No.  
**5995439576**  
05/06/15  
(EN/SERVICE/DCS)  
357

**FREEZER DOOR**



**N58FCFEFA2**

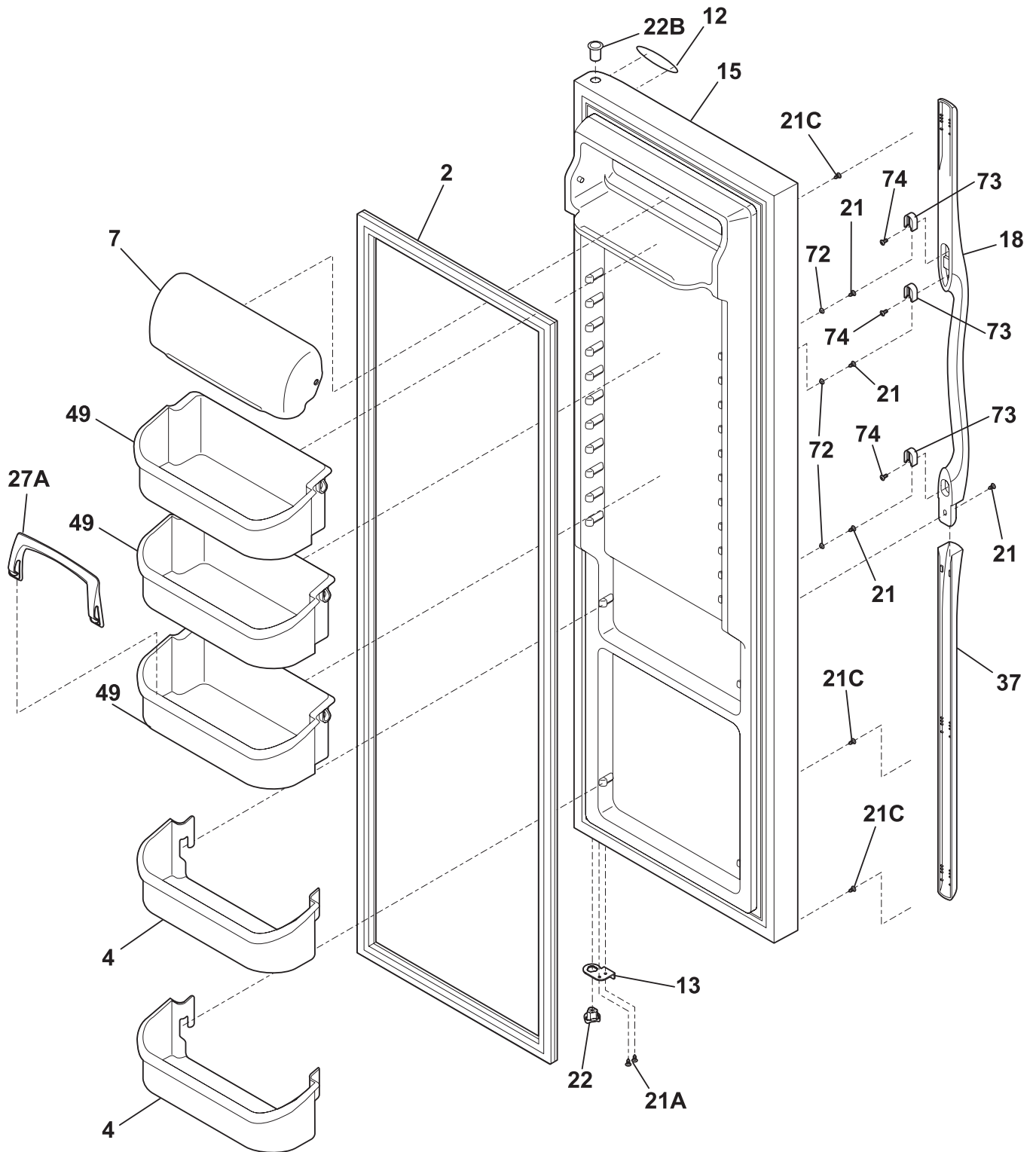
## FREEZER DOOR

---

*Model Index:* A GLHS68EES (GLHS68EESB0)  
 B GLHS68EES (GLHS68EESB3)  
 C GLHS68EES (GLHS68EESB5)

POS. NO	PART NO.		DESCRIPTION
1 #	240390606	A - -	Gasket-frzr door, black, magnetic
1 #	241569806	- B C	Gasket-frzr door, black, magnetic
4A	240334201	A B C	Bin-door, frzr-upper
4B	240351601	A B C	Bin-door
4C	240351701	A B C	Bin-door, frzr-dispenser
5	241545005	A B C	Bin-tilt out, tilt-out
11	241615109	A B -	Door-frzr, stainless, complete assy
11	240554283	- - C	Door-frzr, stainless, complete assy
13A	240581906	A B C	Door Stop, black, frzr
18	240359108	A B C	Handle-door, black, LH
21	218781100	A B C	Screw, pan head, 8-18 x 0.625
21A	240598401	A B C	Screw, 10-32 x 1/2
21C	240521302	A B C	Screw, #8-18 x 3/4
22A	240328204	A B C	Bearing-hinge(frz), black, closer
22C	240328404	A B C	Bearing-hinge, black, upper
37	240359203	A B C	Trim-handle, 30.13", black, lower
68	241525101	A B C	Chute-ice
72	240421701	A B C	Button-handle mtg, dovetail
73	218396700	A B C	Block-handle mtg, dovetail
74	215503200	A B C	Screw, cr pan hd, 10-16 x 0.500
*	240352102	A B C	Connector-water, straight
*	240552102	A B C	Harness-wiring, door
*	5303918256	A B C	Dispenser heater kit

REFRIGERATOR DOOR



N58RCCBBC5

---

**REFRIGERATOR DOOR**


---

*Model Index:* A GLHS68EES (GLHS68EESB0)  
 B GLHS68EES (GLHS68EESB3)  
 C GLHS68EES (GLHS68EESB5)

POS. NO	PART NO.		DESCRIPTION
2	240390605	A - -	Gasket-refr door, black, magnetic
2 #	241569805	- B C	Gasket-refr door, black, magnetic
4	240323002	A B C	Bin-door, pseudo, bottom
7	240326203	A B C	Door-dairy
12	240449710	A B C	Nameplate
13	240581905	A B C	Door Stop, black, ref
15	241534537	A B -	Door-refr, stainless, complete assy
15	241534513	- - C	Door-refr, stainless, complete assy
18	240359103	A B C	Handle-door, black, RH
21	218781100	A B C	Screw, pan head, 8-18 x 0.625
21A	240598401	A B C	Screw, 10-32 x 1/2
21C	240521302	A B C	Screw, #8-18 x 3/4
22	240328203	A B C	Bearing-hinge, black, closer
22B	240328404	A B C	Bearing-hinge, black, upper
27A	240396102	A B C	Retainer, tall bottle
37	240359203	A B C	Trim-handle, 30.13", black, lower
49	240430311	A B C	Bin-door, gallon
72	240421701	A B C	Button-handle mtg, dovetail
73	218396700	A B C	Block-handle mtg, dovetail
74	215503200	A B C	Screw, cr pan hd, 10-16 x 0.500

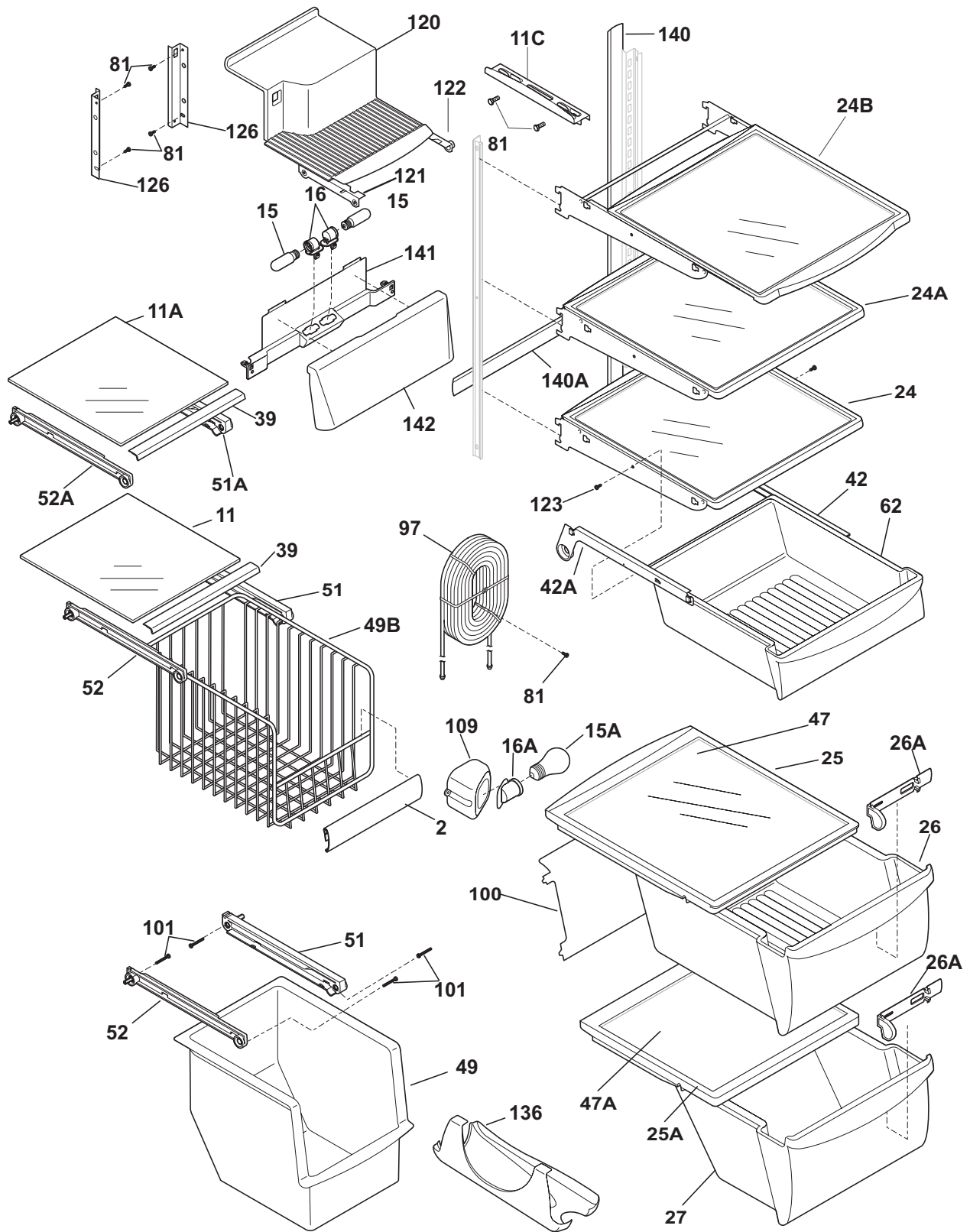


**CABINET**

*Model Index:* A GLHS68EES (GLHS68EESB0)  
 B GLHS68EES (GLHS68EESB3)  
 C GLHS68EES (GLHS68EESB5)

POS. NO	PART NO.		DESCRIPTION
10	240435908	A B C	Cover-air duct
10A	240475907	A B C	Cover-evap coil, lower
11	5303208309	A B C	Plug-hole, factory test
14	240505801	A B C	Switch, light/lamp
14A	241547901	A B C	Switch-light/lamp, frzr door
21C	218252200	A B C	Screw, #8 truss hd, 10-32CA x 0.500
22	240457702	A B C	Plate-door closer
23	240402701	A B C	Screw-#10-32 x 1/4 flat hd
28	240335501	A B C	Bolt-roller adj, hex washer head, 1/4-20 x 4.020, (2), special
30	241603701	A B C	Bracket-lower hinge, ref
30A	241603702	A B C	Bracket-lower hinge
37	240337603	A B C	Trim-cabinet corner, black, (2)
38	240327201	A B C	Bracket-upper hinge
40	240327007	A B C	Cover-upper hinge, black
41	241550801	A B C	Grommet-shelf mtg, 1.40" long
41*	241550701	A B C	Grommet-shelf mtg, .96" long
42	240578901	A B C	Screw-hinge mtg, hex head, 1/4-20 x 5/8
43	240335003	A B C	Roller Assy, adjustable, front, (2)
45	241500301	A B C	Screw, hex washer head, 8-18AB x 0.500
47	240349402	A B C	Channel-shelf mtg, side, (2)
58	218781100	A B C	Screw, pan head, 8-18 x 0.625
66	5304424968	A B C	Damper Cover Assy
66*	240518802	A B C	Pin-push, push-in, plastic
72	240324406	A B C	Grille/Kickplate, black
81	5308016566	A B C	Screw, hex washer head, 8-15A x 0.625, low profile
82	5304418225	A B C	Roller, compressor base, rear, (2)
83	5303316859	A B C	Rivet, flat head, 1/4 OD x 1-3/4, roller pin
89	241574602	A B C	Cover access
90	218249808	A B C	Seal-coil cover
92	216850900	A B C	Screw, hex washer hd, 1/4 x 7/8, hinge mtg
100	240423701	A B C	Support, crisper cover, front, (4)
100*	240350802	A B C	Support, crisper cover, rear, (4)
*	240396801	A B C	Clamp, tube/wiring, nylon, black/natural
*	240479601	A B C	Plug, button, cab liner holes, (2)
*	240481601	A B C	Shim-lower hinge
*	5303305345	A B C	Paint, touch-up, black

**SHELVES**



**N58SKDJBD1**

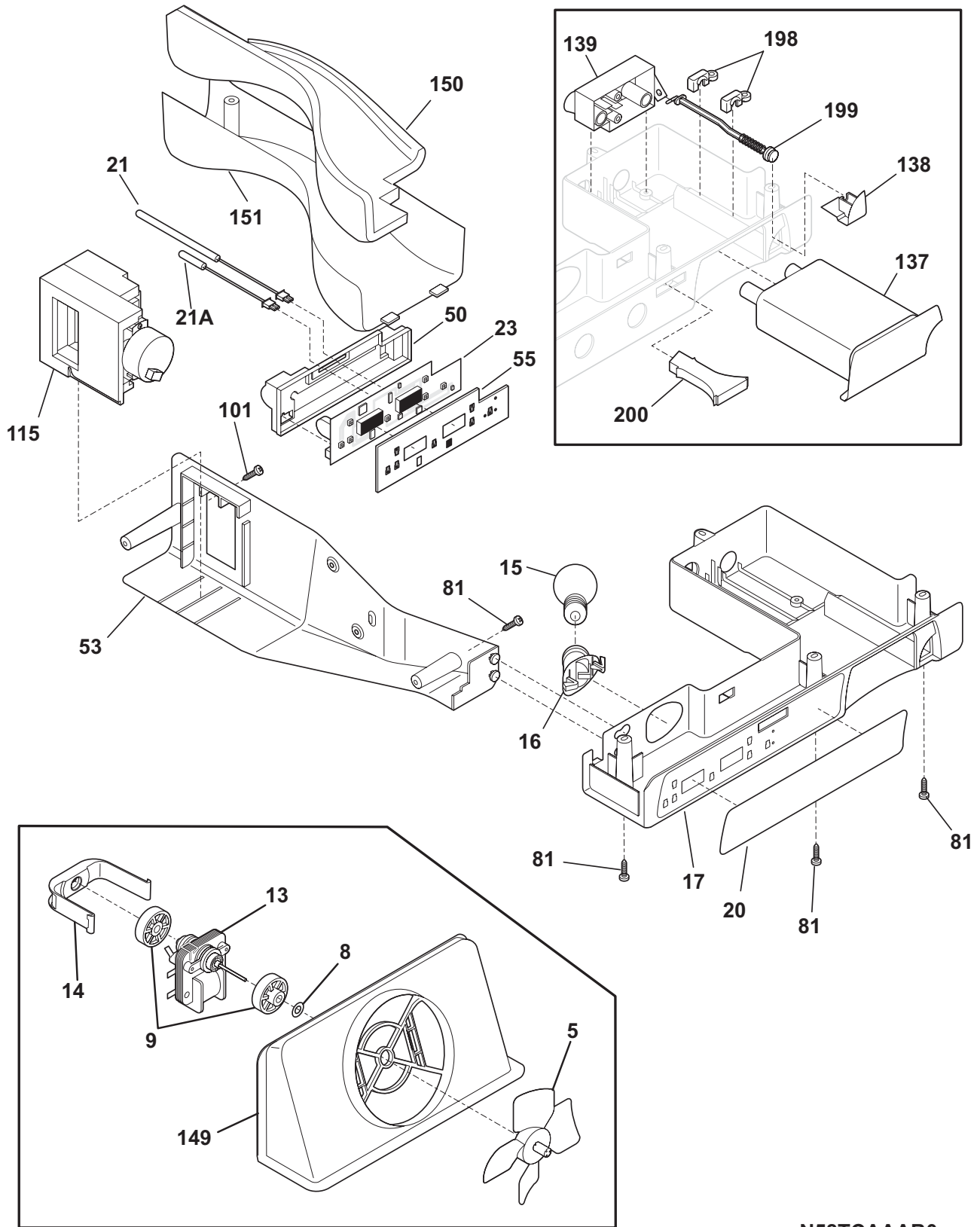


**SHELVES**

*Model Index:* A GLHS68EES (GLHS68EESB0)  
 B GLHS68EES (GLHS68EESB3)  
 C GLHS68EES (GLHS68EESB5)

POS. NO	PART NO.		DESCRIPTION
2	241510604	A B C	Trim-basket
11	240350668	A B C	Shelf-freezer, glass, lower
11A	240350667	A B C	Shelf-freezer, glass, upper
11C	240324101	A B C	Shelf-pizza
15	241552801	A B C	Light Bulb
15A	241555401	A B C	Light Bulb
16	240590401	A B C	Socket-light
16A*	241537502	A B C	Harness-wiring
16A#	241513901	A B C	Socket-light
24	240355203	A B C	Shelf-"Spill-Safe", fixed
24A	240355205	A B C	Shelf-"Spill-Safe", fixed
24B	240350106	A B C	Shelf-"Spill-Safe", cantilever, sliding
25	240350702	A B C	Cover-crisper pan, upper
25*	240362101	A B C	Clip-slide, cover-crisper
25A	240350902	A B C	Cover-crisper pan, lower
26	240351020	A B C	Pan-crisper, upper
26*	240349801	A B C	Clip-slide, pan-crisper
26A	240362201	A B C	Control-humidity
27	240351218	A B C	Pan-crisper, lower
39	240367602	A B C	Trim-shelf, front
42	240356501	A B C	Track, meat pan hanger, RH
42A	240349701	A B C	Hanger-meat pan, LH
42A*	240349901	A B C	Block-meat pan rail, LH
42A*	240350001	A B C	Spring-meat pan rail
47	240350602	A B C	Insert-pan cover, glass
47A	240350603	A B C	Insert-pan cover, glass
49	240564401	A B C	Basket-sliding
49B	240530504	A B C	Basket-sliding, upper, full
51	240343002	A B C	Hanger-basket, RH
51A	240395502	A B C	Hanger-basket, RH
52	240343102	A B C	Hanger-basket, LH
52A	240395602	A B C	Hanger-basket, LH
62	240342817	A B C	Pan-meat
81	5308016566	A B C	Screw, hex washer head, 8-15A x 0.625, low profile
97	240545303	A B C	Water Tank Assy, coiled tubing, front filter
100	240326302	A B C	Cover-water tank
101	218493100	A B C	Screw, hex washer head, 8-18AB x 1-3/4
109	240351301	A B C	Base-crisper light socket
120	241559001	A B C	Shelf-ice cream
121	241561001	A B C	Rail-ice cream shelf, LH
122	241561201	A B C	Rail-ice cream shelf, RH
123	215005100	A B C	Screw, hanger/r/r mtg, 8-10 x 0.438
126	241630701	A B C	Channel, auger mtg, LH
126	241630702	A B C	Channel, auger mtg, RH
136	240424501	A B C	Dispenser-can, white
140	240430501	A B C	Channel, wtr tube cover
140A	240430503	A B C	Channel, wtr tube cover
141	240585404	A B C	Bracket-light socket
142	240582701	A B C	Shield-light, deli pan

**CONTROLS**



**N58TCAAAB0**

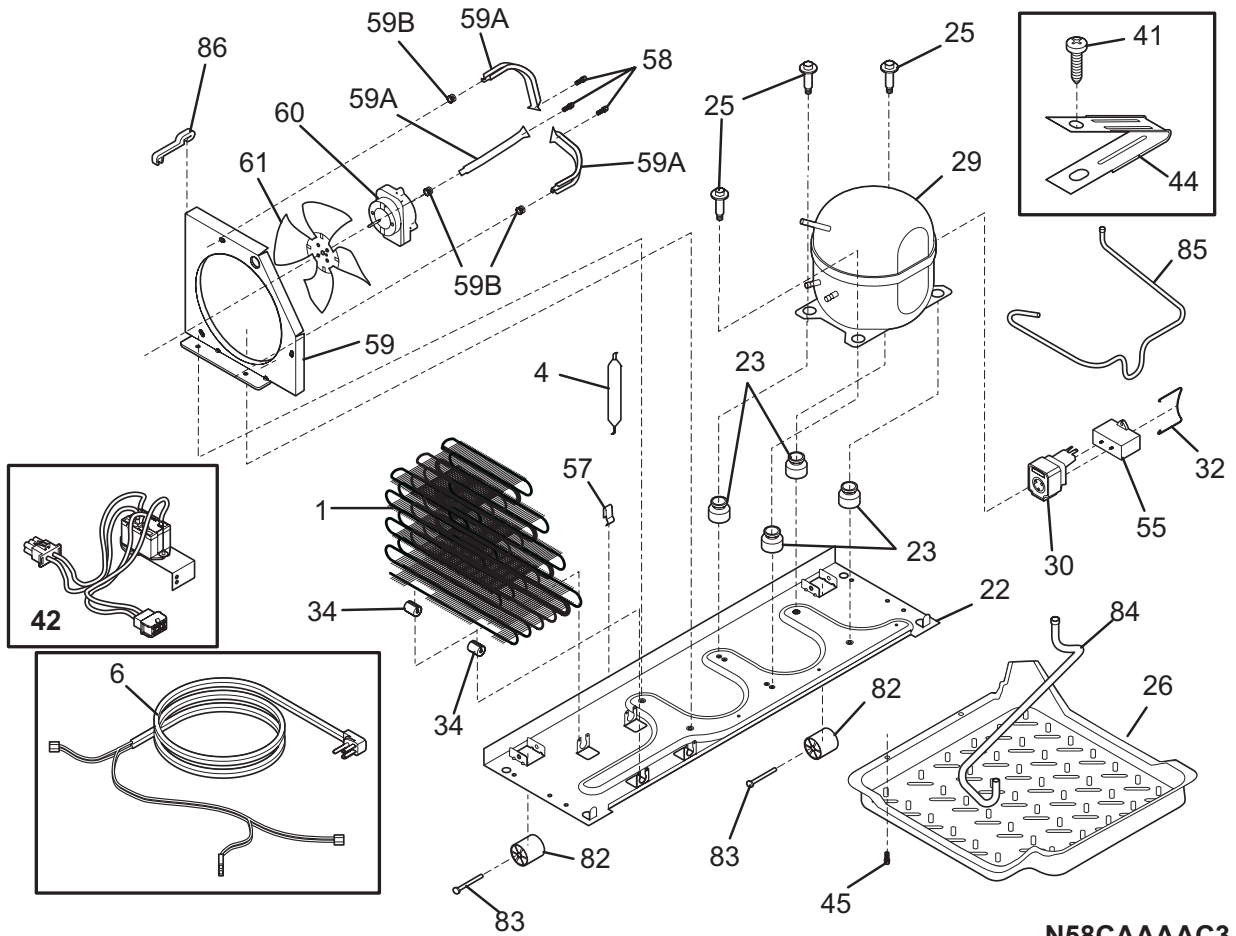
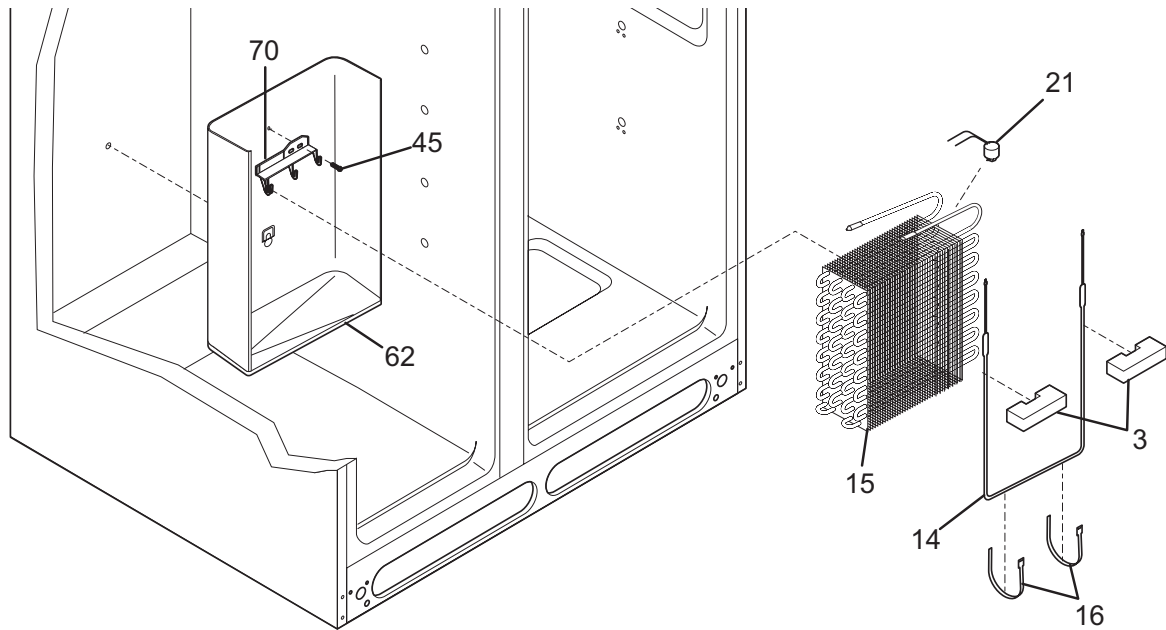
## CONTROLS

---

*Model Index:*    **A** GLHS68EES (GLHS68EESB0)  
                           **B** GLHS68EES (GLHS68EESB3)  
                           **C** GLHS68EES (GLHS68EESB5)

POS. NO	PART NO.		DESCRIPTION
5 #	5308000010	A B C	Fan Blade, red, evaporator fan
8	215474201	A B C	Washer, "slinger", nylon, evap fan shaft
9	241563601	A B C	Bushing-motor mtg, (2)
13	240369702	A B C	Motor-evap fan
14	241517701	A B C	Clip, evap fan motor
15	241555401	A B C	Light Bulb
16 #	241513901	A B C	Socket-light
17	241608801	A B C	Box-control, front
17*	241628701	A B C	Harness-wiring, control box
20	241603902	A B C	Label-control box
21	241608401	A B C	Thermistor-refr
21A	241608501	A B C	Thermistor-frzr
23 #	241591817	A B C	Control, electronic
23*	5303001259	A B C	Screw-timer mtg, pan hd, 6-20 x 0.438, (2)
50	241609001	A B C	Housing-control
53	241608901	A B C	Box-control
55	241609101	A B C	Cover-housing
81	5308016566	A B C	Screw, hex washer head, 8-15A x 0.625, low profile
101	241637201	A B C	Screw-Hex HD #8AB X 1 3/4
115	241600902	A B C	Damper Assy, w/seal
137	240396401	A B C	Filter, water, carbon cassette, front, with o'rings
137*	240396701	A B C	Bypass, water filter, Optional Part
138	240397301	A B C	Button-filter release
139	240396002	A B C	Base-water filter
139*	240526901	A B C	O-ring, wtr filter base
149	241563501	A B C	Shroud-fan orifice
149*	241528306	A B C	Seal, shroud
150	241505101	A B C	Insulation-water tube cover
151	241505001	A B C	Cover-water tube
198	240397401	A B C	Retainer
199	240397501	A B C	Rod
199*	240398401	A B C	Spring-filter release rod
200	240397601	A B C	Light Pipe
*	3205266	A B C	Edge Protector, wiring harness

**SYSTEM**



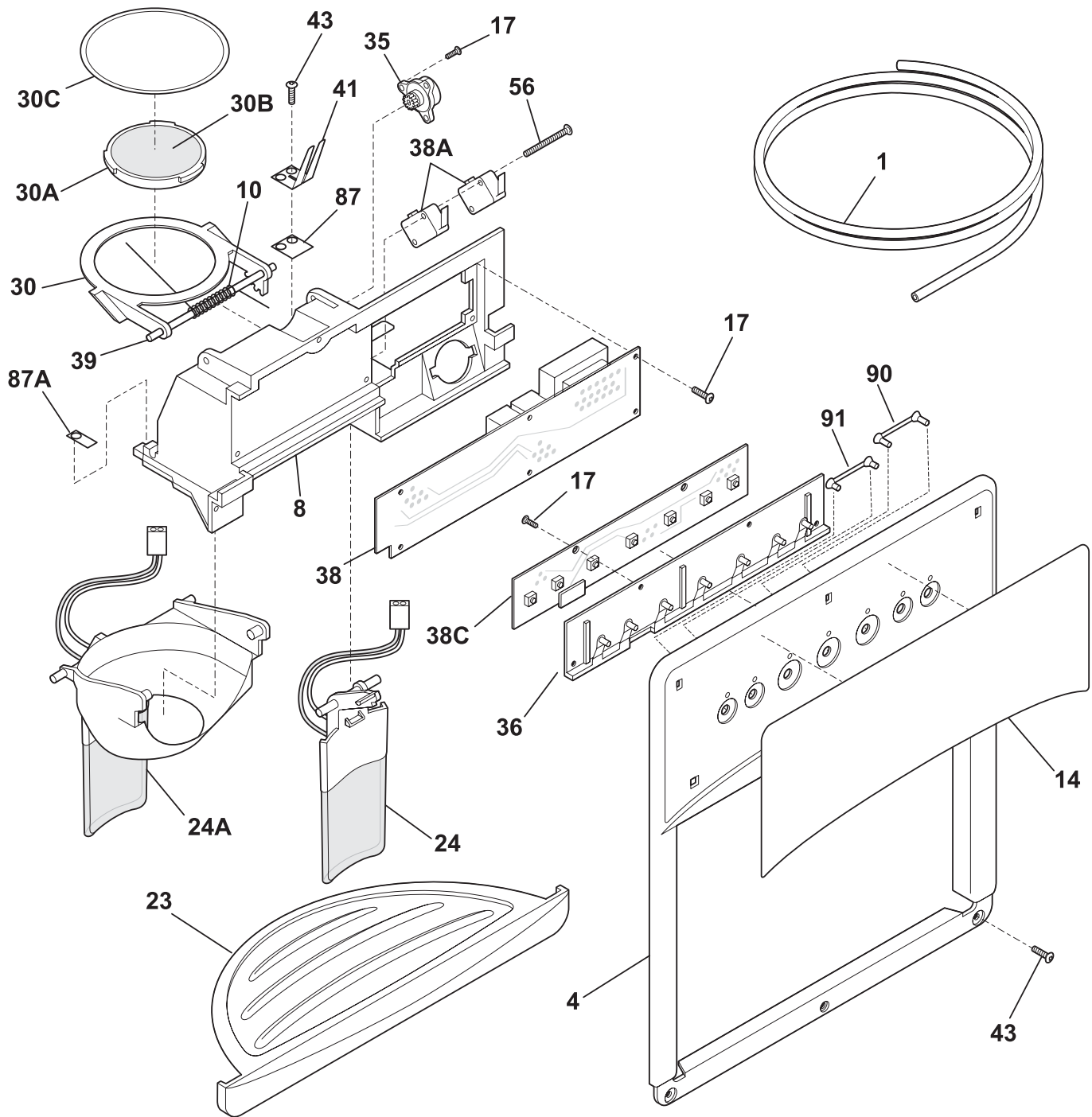
**N58CAAAC3**

**SYSTEM**

*Model Index:* A GLHS68EES (GLHS68EESB0)  
 B GLHS68EES (GLHS68EESB3)  
 C GLHS68EES (GLHS68EESB5)

POS. NO	PART NO.		DESCRIPTION
1	240333603	A B C	Condenser
3	218679607	A B C	Block-evap coil, styrofoam, (2)
4 #	218944001	A B C	Drier-filter, R134a System
6	241586801	A B C	Harness-wiring, machine compt
6*	240449601	A B C	Harness-wiring
6*	241628701	A B C	Harness-wiring, control box
14 #	5303918253	A B C	Defrost Heater Kit
15 #	5303918284	A B C	Evaporator Kit
16	5308000110	A B C	Strap-evap/heater, aluminum, (2)
21	5303918214	A B C	Thermostat-defrost, kit
22	240330008	A B C	Base-compressor mtg
22*	218252200	A B C	Screw, #8 truss hd, 10-32CA x 0.500
23	218513300	A B C	Grommet-compr mtg, (4)
25	240491501	A B C	Screw-compressor mtg, 1/4-28 x 1.16, shoulder, typ CF
26	241637401	A B C	Pan-defrost
29	5303918314	A B C	Compressor, w/o electricals
30 #	241527803	A B C	Starter-TSD
32	241527901	A B C	Clamp, elec cont mtg, compressor
34	240405201	A B C	Grommet, rubber, black, cond tube/wire
41	240555001	A B C	Screw-#8-32 X 3/8
42 #	241661201	- B C	Relay
44	215174700	A B C	Clamp-service cord, strain relief, galv steel
45	5308016566	A B C	Screw, hex washer head, 8-15A x 0.625, low profile
55	218909915	A B C	Capacitor-run, 220 VAC, 15 microfarad
57	240542601	A B C	Clip-wiring harness
58	218897002	A - -	Screw, hex washer head, 8-32 x 0.375
58	240569201	- B C	Screw, 8-18 x 0.500
59	5304430246	A - -	Bracket-cond motor assy
59	240315502	- B C	Shroud-cond fan
59*	240346701	A B C	Tape-foam seal, shroud
59*	240359401	A B C	Screw-fan shroud, (2)
59A	240346501	- B C	Bracket-support, cond mtr, (3)
59B	240346601	- B C	Grommet-bracket, (3)
60 #	240525402	A - -	Motor, condenser fan
60 #	241584301	- B C	Motor-condenser fan
61	240524101	A - -	Fan Blade, galv steel, condenser fan
61	241639501	- B C	Blade-condenser fan
62	240429402	A B C	Trough-drain
70	218990801	A B C	Bracket-evap/cvr mtg
82	5304418225	A B C	Roller, compressor base, rear, (2)
83	5303316859	A B C	Rivet, flat head, 1/4 OD x 1-3/4, roller pin
84	5304421068	A B C	Tube-drain, lower
85	240553501	A B C	Tube-connector, suction
86	240409302	A B C	Spacer-cond tube, black
*	5303918222	A B C	Hot Tube Repair Kit, service
* #	5303918213	A B C	Heat Exchanger Kit, suction line

ICE & WATER DISPENSER



N58XEAAA0

---

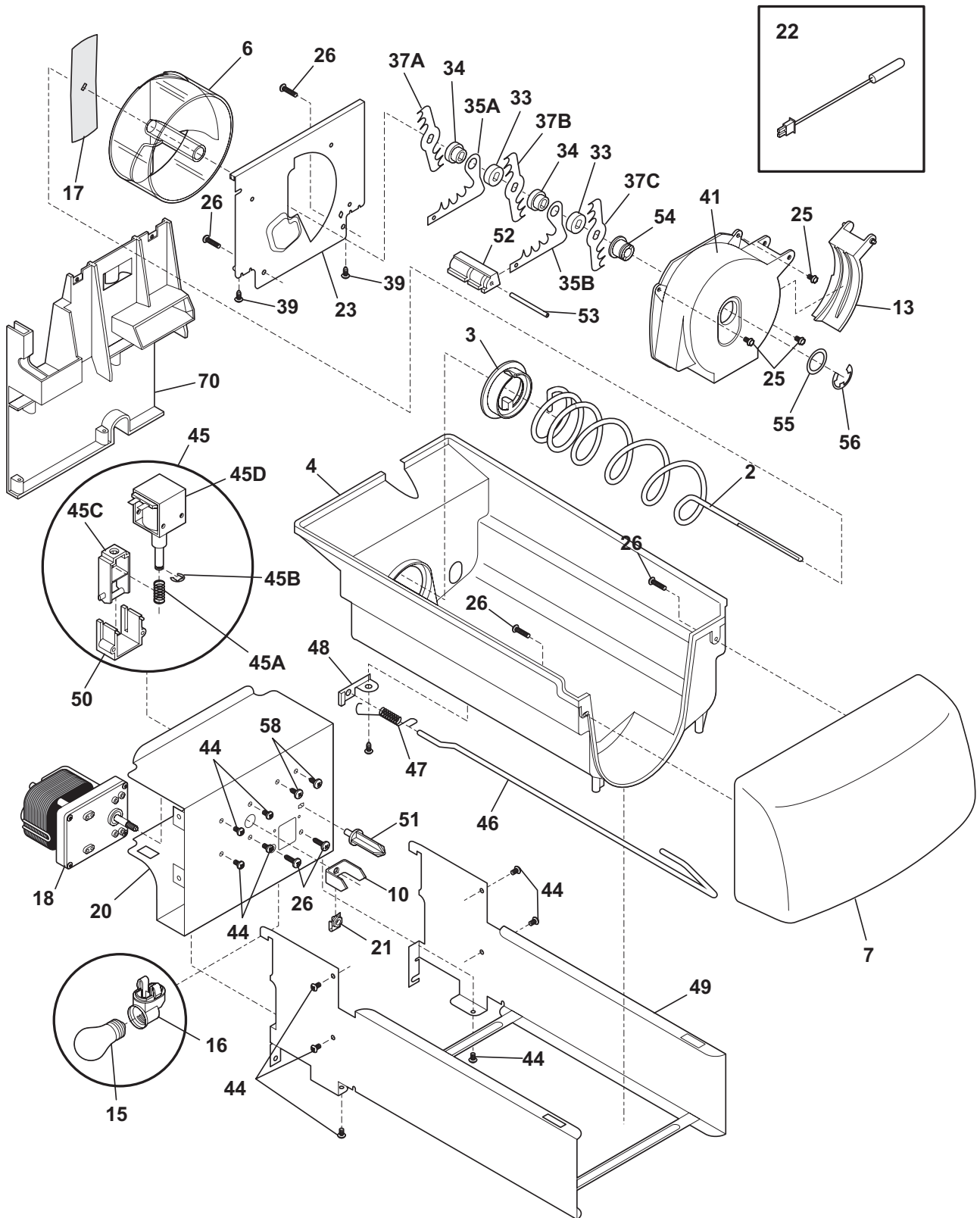
**ICE & WATER DISPENSER**


---

*Model Index:* A GLHS68EES (GLHS68EESB0)  
 B GLHS68EES (GLHS68EESB3)  
 C GLHS68EES (GLHS68EESB5)

POS. NO	PART NO.		DESCRIPTION
1	218976409	A B C	Tube-water-DOOR
1*	218976901	A B C	Tube-water inlet, inlet valve, to ice maker
1*	218976903	A B C	Tube-water inlet, inlet valve, to filter
1*	218976907	A B C	Tube-water inlet, valve to door
1*	240561701	A B C	Seal-water inlet, inlet valve, to ice maker
4	5304422012	A B C	Cover-module, black
8	5304424549	A B C	Module-dispenser
10	5304426649	A B C	Spring-torsion
14	240323972	A B C	Label-module cover, black
17	5304421619	A B C	Screw
23	240323603	A B C	Drip Tray, black
24	5304433613	A B C	Actuator-water, black
24A	5304433610	A B C	Actuator-ice, black
30	5304421628	A B C	Door Assy-ice chute
30A	5304421624	A B C	Door center
30B	5304421625	A B C	Insulation-door
30C	5304421629	A B C	Door seal
35	5304421620	A B C	Damper-rotary
36	5304421824	A B C	Carrier
38	5304433619	A B C	Board-power
38A#	5304421617	A B C	Switch-micro, single pole, double throw
38C	5304433818	A B C	Board-control
38C*	5304430811	A B C	Harness-ribbon cable
39	5304421627	A B C	Pin-hinge
41	5304421829	A B C	Spring-actuator
43	215296300	A B C	Screw, plask h/l, #6 x 3/8
43*	240363401	A B C	Screw-#8-18 X 1/2, #6 hd plask
56	5304421830	A B C	Screw-micro switch, pan head
87	5304421622	A B C	Bearing Plate
87A	5304421621	A B C	Bearing Plate
90	5304421831	A B C	Light Pipe, reflector
91	5304421850	A B C	Light Pipe, reflector, short
*	5303918256	A B C	Dispenser heater kit
*	5304426535	A B C	Insulator-electrical

ICE CONTAINER



N58YDAAAC0



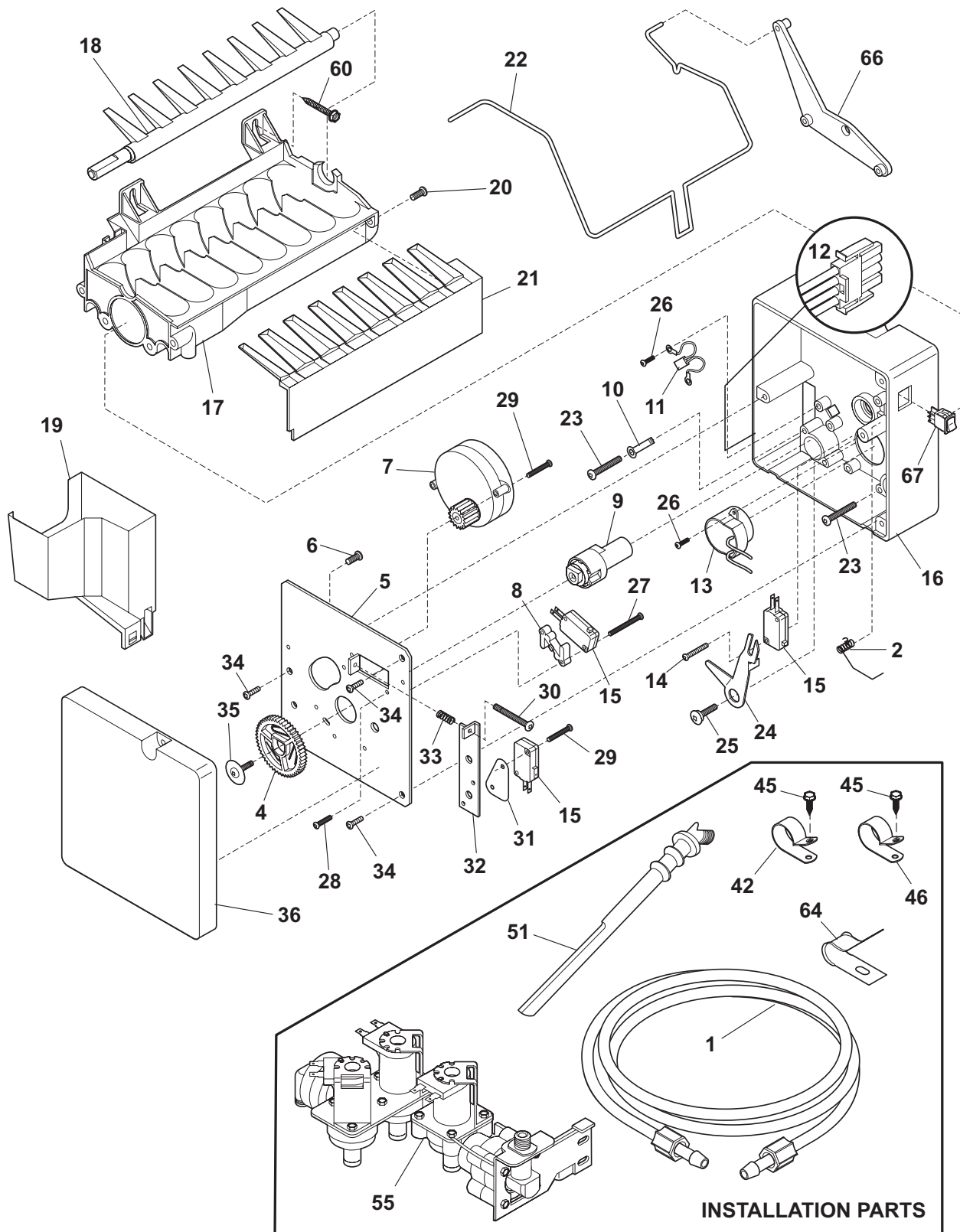
## ICE CONTAINER

---

*Model Index:* A GLHS68EES (GLHS68EESB0)  
 B GLHS68EES (GLHS68EESB3)  
 C GLHS68EES (GLHS68EESB5)

POS. NO	PART NO.		DESCRIPTION
2	5304428402	A B C	Auger-ice
3	5304404343	A B C	Cam-drive
4	241561301	A B C	Container-ice, bucket only
6	5304404346	A B C	Drum-ice disp
7	241561401	A B C	Front-ice container
10	241624801	A B C	Bar-drive
13	5304404359	A B C	Gate
15	241555401	A B C	Light Bulb
16	241559801	A B C	Socket-light
17	5304404345	A B C	Drive Blade
18 #	5304420654	A B C	Motor-auger
18*	241578401	A B C	Wiring Harness, auger motor
20	5304404332	A B C	Cover-motor
21	215285100	A B C	Nut-drive
22	240597201	A B C	Sensor
23	5304404347	A B C	Plate-front
25	5304404362	A B C	Screw, hex washer head, 8-32T x 0.375
26	5304420654	A B C	Screw-thermo/sprt, 4-24 x 0.375, (4)
33	5304404351	A B C	Spacer
34	5304404349	A B C	Spacer
35A	5304404353	A B C	Fixed Blade, round
35B	5304404352	A B C	Fixed Blade, square
37A	5304404348	A B C	Blade, crusher #1
37B	5304404350	A B C	Blade, crusher #2
37C	5304404356	A B C	Blade, crusher #3
39	5304404365	A B C	Screw
41	5304404358	A B C	Housing-crusher
44	218359200	A B C	Screw, pan head, 8-32 x 0.250
45 #	5304404333	A B C	Solenoid Assy
45A	5304406816	A B C	Spring-solenoid
45B	5304406817	A B C	E-Ring-solenoid
45C	5304406818	A B C	Actuator-solenoid
45D	5304406819	A B C	Solenoid
46	5304404341	A B C	Control Rod
47	5304404342	A B C	Spring-control rod
48	5304404340	A B C	Bracket-control rod
48*	5304404364	A B C	Screw-bracket
49	5304404329	A B C	Rail Assy
50	5304404334	A B C	Guide-solenoid
51	5304404336	A B C	Rotation Stop
52	5304404354	A B C	Spacer-fixed blades
53	5304404355	A B C	Pin-spiral, fixed blades
54	5304404357	A B C	Nut-auger
55	5304404360	A B C	Washer
56	5304404361	A B C	E-ring
58	5304404331	A B C	Screw-solenoid
70	241561502	A B C	Plate-mounting
70*	215005100	A B C	Screw, hanger/rlr mtg, 8-10 x 0.438
70*	241551601	A B C	Screw, hex head, 8-18B x 0.875
*	241561601	A B C	Ice Container Assy, w/moving parts

ICE MAKER



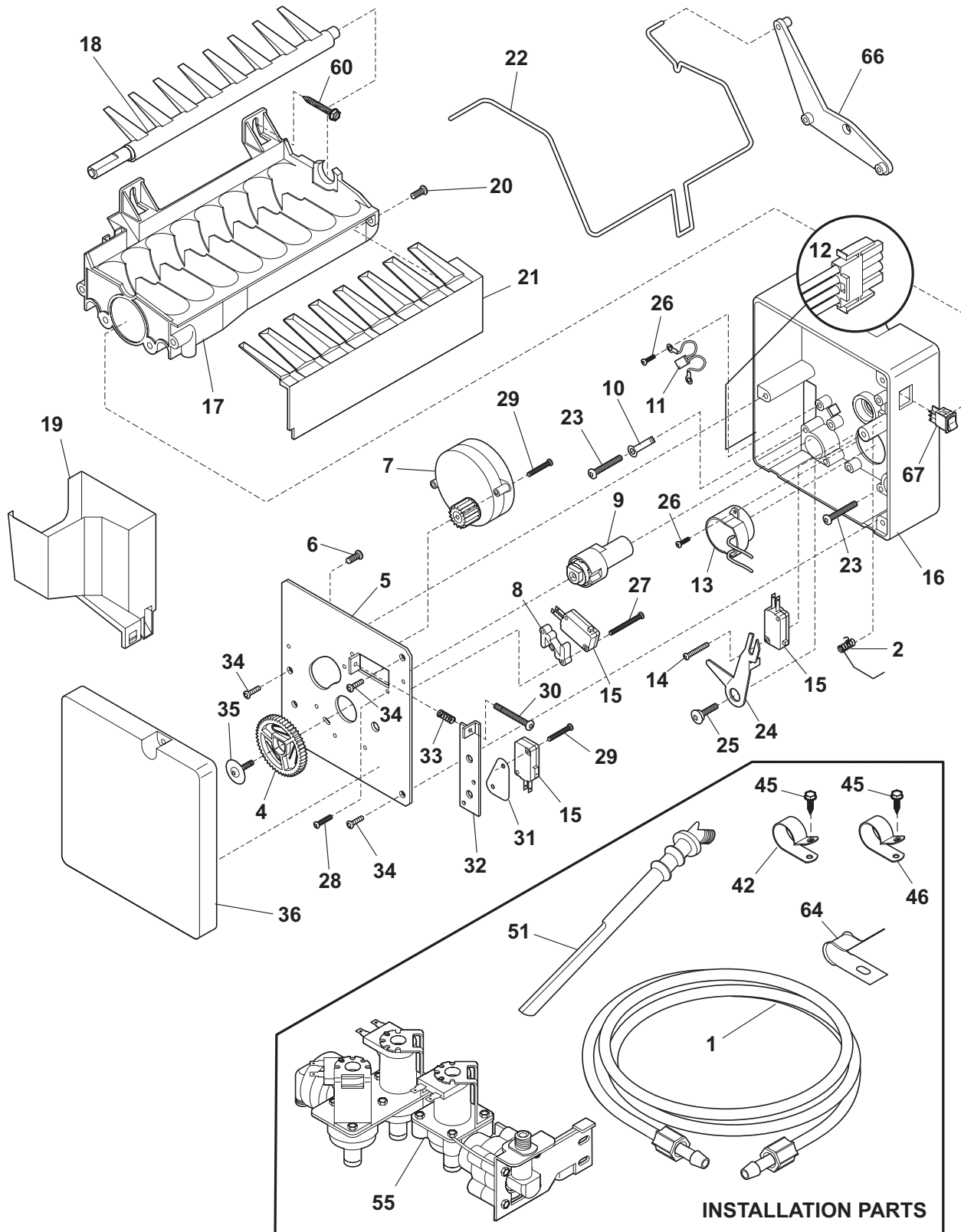
N58I115T

## ICE MAKER

*Model Index:*    **A** GLHS68EES (GLHS68EESB0)  
                           **B** GLHS68EES (GLHS68EESB3)  
                           **C** GLHS68EES (GLHS68EESB5)

POS. NO	PART NO.		DESCRIPTION
1	218976409	A B C	Tube-water-DOOR
1*	218976901	A B C	Tube-water inlet, inlet valve, to ice maker
1*	218976903	A B C	Tube-water inlet, inlet valve, to filter
1*	218976907	A B C	Tube-water inlet, valve to door
1*	240561701	A B C	Seal-water inlet, inlet valve, to ice maker
2	5304436616	A B C	Spring, torsion
4	3206301	A B C	Gear
5	5304436604	A B C	Plate-mounting
6	3206305	A B C	Screw-ground wire, 8-32 x 0.250
7 #	5304436619	A B C	Motor-ice maker
8	3206312	A B C	Spacer-hold switch
9	5304436610	A B C	Detent
10	3206315	A B C	Clamp
11 #	5304436618	A B C	Thermal Cutoff, ICE MAKER, complete assy
12	5304436614	A B C	Harness-wiring
13	5304436613	A B C	Thermostat, ICE MAKER
14	5304420652	A B C	Screw, 4 x 0.750, switch mtg.
15 #	3206324	A B C	Switch, (3)
16	5304436609	A B C	Housing, control
17 #	5304436617	A B C	Mold-ice maker, with heater
18	5304436607	A B C	Ejector-ice
18*#	240352601	A B C	Wiring Harness, internal, with plug
19	5304436606	A B C	Cup-water inlet
20	5304408581	A B C	Screw, 8-32 x 0.375
21	5304436608	A B C	Ice Stripper
22	5304436602	A B C	Shut-off Arm
23	5304408582	A B C	Screw, 8-32 x 0.875, mold-to-support, (3)
24	3206335	A B C	Lever Arm
25	3206336	A B C	Screw, 8-18 x 0.562, lever arm/sprt
26	5304420654	A B C	Screw-thermo/sprt, 4-24 x 0.375, (4)
27	3206338	A B C	Screw, 4-40 x 1.000, hold switch mtg, (2)
28	3206339	A B C	Screw-timing stop, 4-40 x 0.375
29	3206323	A B C	Screw, 4-24 x 0.750, (6)
30	3206341	A B C	Screw-timing adj, 8-32 x 1.000
31	3206342	A B C	Insulator
32	3206343	A B C	Plate-valve switch
33	5304436615	A B C	Spring-thermostat
34	5304420655	A B C	Screw, plazscrew, 8-10, (3)
35	5304408585	A B C	Screw
36	5304436605	A B C	Cover-ice maker
42	5303001199	A B C	Clamp-wiring harness, strain relief, galv steel
42*	218515402	A B C	Clip, (2), tube mtg.
45	5303001343	A B C	Screw, hex washer head, 8-15A x 0.500
46	5303001193	A B C	Clamp, .50 ID, steel, water tube
46*	5308000133	A B C	Clamp, nylon, .625 ID
51	241523503	A B C	Tube-water fill, extension
55 #	240531101	A B C	Valve-water, triple solenoid
55*	218709100	A B C	Screw, hex head, 10-32 x 0.500

ICE MAKER



N58I115T

---

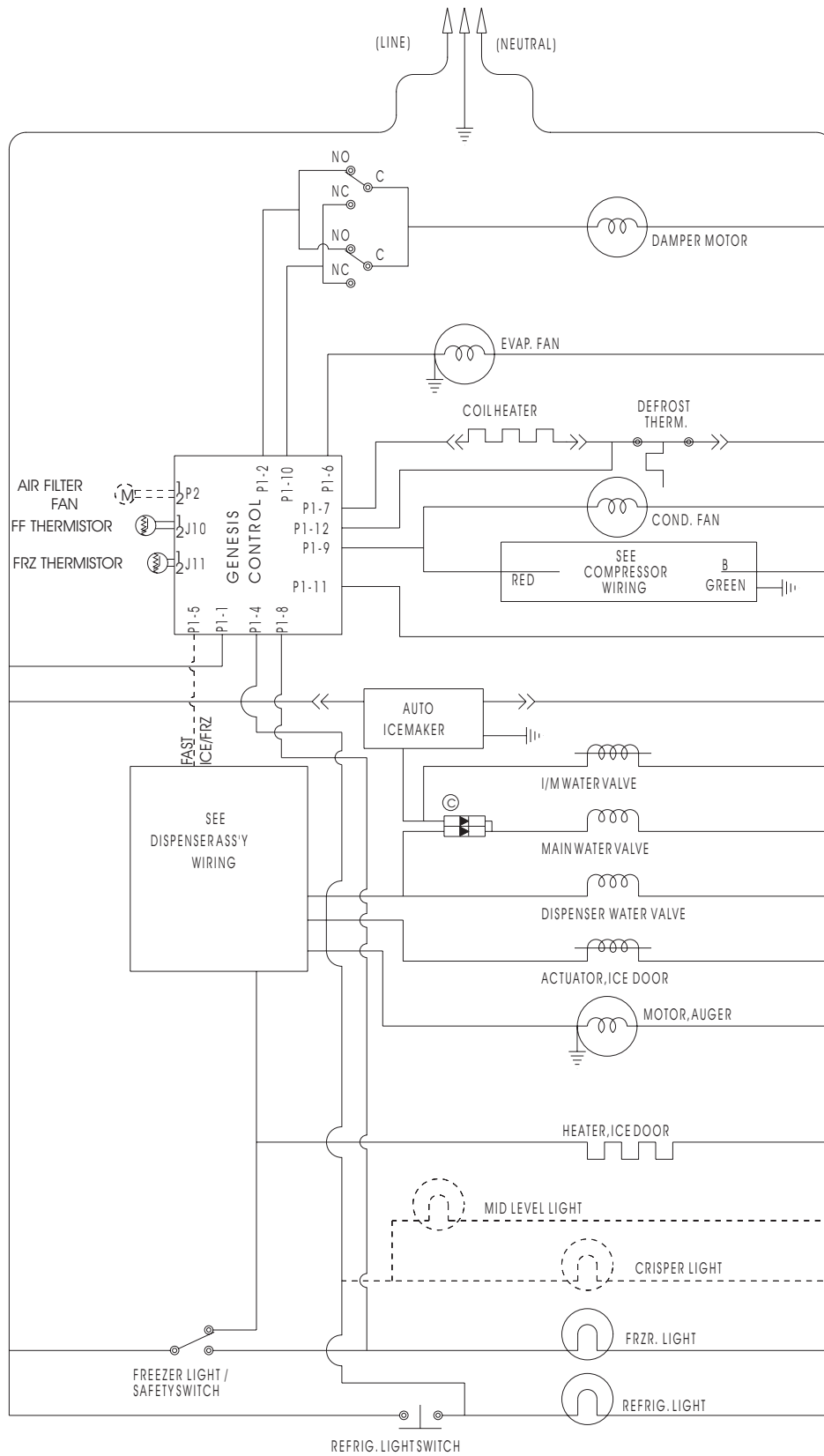
**ICE MAKER**


---

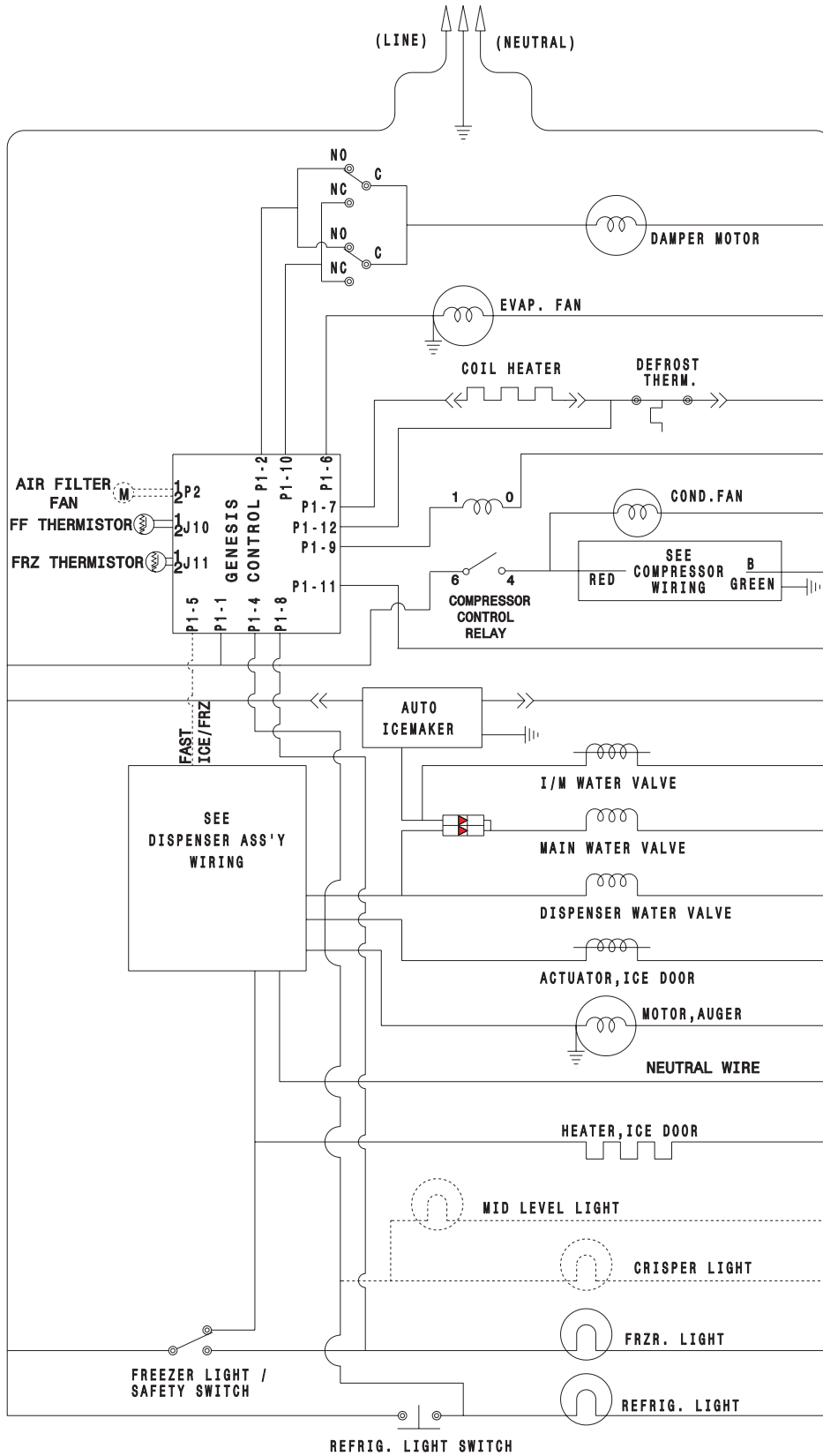
*Model Index:* A GLHS68EES (GLHS68EESB0)  
 B GLHS68EES (GLHS68EESB3)  
 C GLHS68EES (GLHS68EESB5)

POS. NO	PART NO.		DESCRIPTION
55*	240363601	A B C	Screw-shoulder
55*	240542901	A B C	Cap-water valve
60	5303207328	A B C	Screw, hex washer head, 8-15A x 1.000, (2)
64	5303001549	A B C	Clamp, 0.31 ID, steel, copper wtr line
66	5304436611	A B C	Bracket-ice maker
67	5304436612	A B C	Switch, on/off
*	218888001	A B C	Adapter-water supply, nut & sleeve, compression ftg
*	241583301	A B C	Deflector-air, ICE MAKER
*	241587401	A B C	Deflector-ice
*	241627701	A B C	Ice Maker, Radius Cube, 115 V, no instl parts

### WIRING SCHEMATIC



### WIRING SCHEMATIC

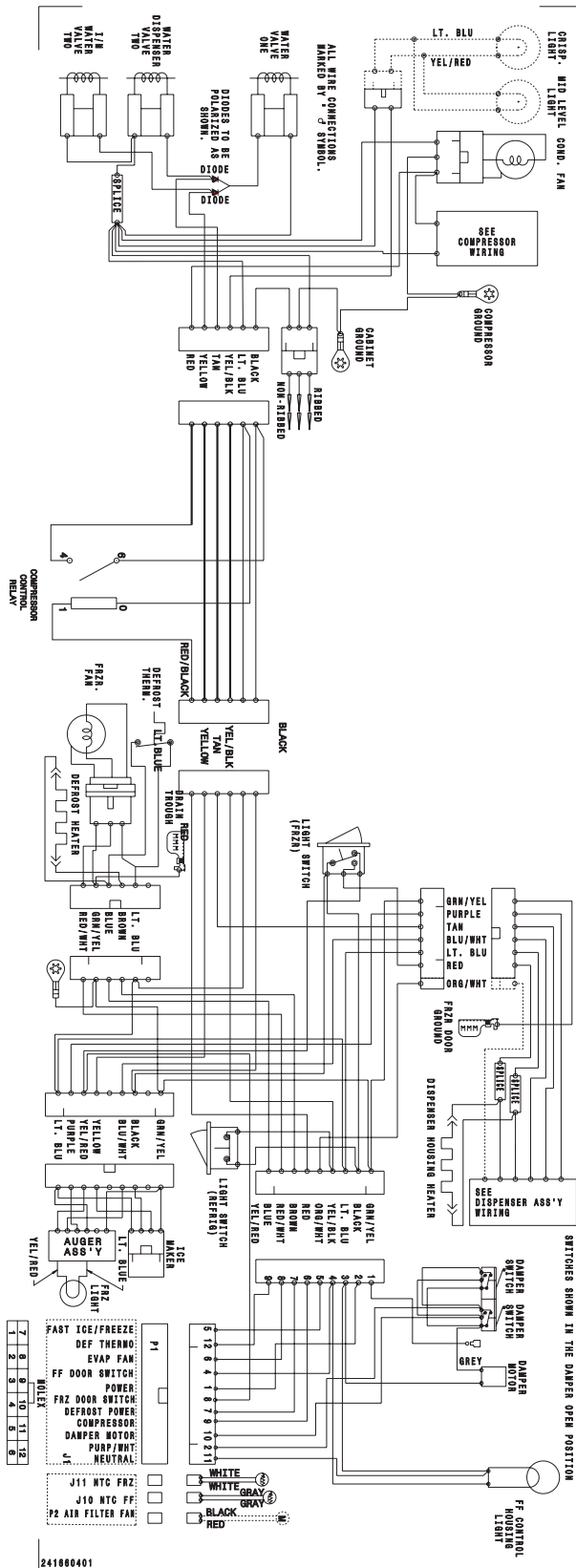


# Functional Parts  
\* Non-Illustrated Parts





WIRING DIAGRAM



# Functional Parts  
\* Non-Illustrated Parts

## Free Manuals Download Website

<http://myh66.com>

<http://usermanuals.us>

<http://www.somanuals.com>

<http://www.4manuals.cc>

<http://www.manual-lib.com>

<http://www.404manual.com>

<http://www.luxmanual.com>

<http://aubethermostatmanual.com>

Golf course search by state

<http://golfingnear.com>

Email search by domain

<http://emailbydomain.com>

Auto manuals search

<http://auto.somanuals.com>

TV manuals search

<http://tv.somanuals.com>