

FUJIOH

Operation Manual RANGE HOOD

MODEL: BUF-06P

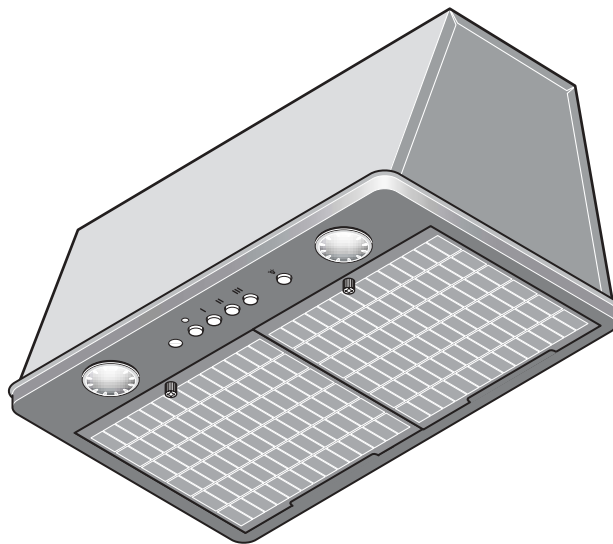


TABLE OF CONTENTS

Safety Instructions	2
Name of Parts	4
Operating the Range Hood	4
How to Use	5
Care and Maintenance	6
Disassembling	7
Cleaning	7
Re-assembling	7
Replacing the Light Bulb	8
Requesting Service	9
Prior to Requesting Service	9
Inspection Label	9
Specifications	10
Circuit Diagram	10
Parts List	11
Limited Product Warranty	12

READ AND SAVE THESE INSTRUCTIONS.

Keep this manual in a convenient place for future reference.

FUJI INDUSTRIAL CO., LTD.


1U02 1282


SAFETY INSTRUCTIONS

Before installation and operation, read these instructions carefully and use this product only in the manner described by the manufacturer in the operation manual.

The signal words shown below are used to alert you to potential personal injury and property damage hazards. There are three hazard classifications based on potentially dangerous situations.

Obey all safety instructions that show these symbols to avoid possible injury, death and property damage.

 **WARNING:** WARNING indicates a potentially hazardous situation which, if not avoided, could result in death or serious injury.

 **CAUTION:** CAUTION indicates a potentially hazardous situation which, if not avoided, may result in minor or moderate injury.

CAUTION: CAUTION used without the safety alert symbol indicates a potentially hazardous situation which, if not avoided, may result in property damage.

WARNING

1. TO REDUCE THE RISK OF FIRE, ELECTRIC SHOCK, OR INJURY TO PERSONS, OBSERVE THE FOLLOWING:



- a) Use this unit only in the manner intended by the manufacturer. If you have questions, contact the manufacturer.
- b) Before servicing or cleaning the unit, switch power off at service panel and lock the service disconnecting means to prevent power from being switched on accidentally. When the service disconnecting means cannot be locked, securely fasten a prominent warning device, such as a tag, to the service panel.

2. TO REDUCE THE RISK OF A RANGE TOP GREASE FIRE:



- a) Never leave surface units unattended at high settings. Boilovers cause smoking and greasy spillovers that may ignite. Heat oils slowly on low or medium settings.
- b) Always turn hood ON when cooking at high heat or when flambeing foods (i.e. Crepes Suzette, Cherries Jubilee, Peppercorn Beef Flambe).
- c) Clean ventilating fans frequently. Grease should not be allowed to accumulate on fan or filter.
- d) Use proper pan size. Always use cookware appropriate for the size of the surface element.

3. TO REDUCE THE RISK OF INJURY TO PERSONS IN THE EVENT OF A RANGE TOP GREASE FIRE, OBSERVE THE FOLLOWING:



- a) SMOTHER FLAMES with a close-fitting lid, cookie sheet, or metal tray, then turn off the burner. BE CAREFUL TO PREVENT BURNS. If the flames do not go out immediately, EVACUATE AND CALL THE FIRE DEPARTMENT.
- b) NEVER PICK UP A FLAMING PAN - you may be burned.
- c) DO NOT USE WATER, including wet dishcloths or towels - a violent steam explosion will result.
- d) Use an extinguisher ONLY if:
 - 1) You have a class ABC extinguisher, and know how to operate it.
 - 2) The fire is small and contained in the area where it started.
 - 3) The fire department is being called.
 - 4) You can fight the fire with your back to an exit.



4. Do not place any electrical parts in water or spray water on them. Such a situation could result in fire or electrical shock.










5. In the situation of a potential gas leakage, do not switch the unit on and off as it could result in a gas explosion.



6. Do not attempt to modify or repair this product. Refer all servicing to qualified personnel, otherwise it may result in fire, electric shock, or injury.

CAUTION

- | | |
|---|---|
|  | 1. For general ventilating use only. Do not use to exhaust hazardous or explosive material and vapors. |
|  | 2. To reduce the risk of fire and to properly exhaust air, be sure to duct air outside. Do not vent exhaust air into spaces within walls, ceilings or into attics, crawl spaces or garages. |
|  | 3. Read specification label on this product for further information and requirements. |
|  | 4. Switch power off at the service panel when you won't be using the range hood for a long period. If you do not do so, damage to the electrical insulation may result. |
|  | 5. Fasten the filter and other parts securely. Incorrect attachment may result in personal injury or damage to property. |
|  | 6. Do not use a commercially sold filter or filter cover on the filter part as it may affect its performance and cause trouble. |
|  | 7. To protect hands from injury from the edges of the sheet metal, wear working gloves while servicing. |

NOTE: *The safety instructions are explained with the following pictographic symbols.*

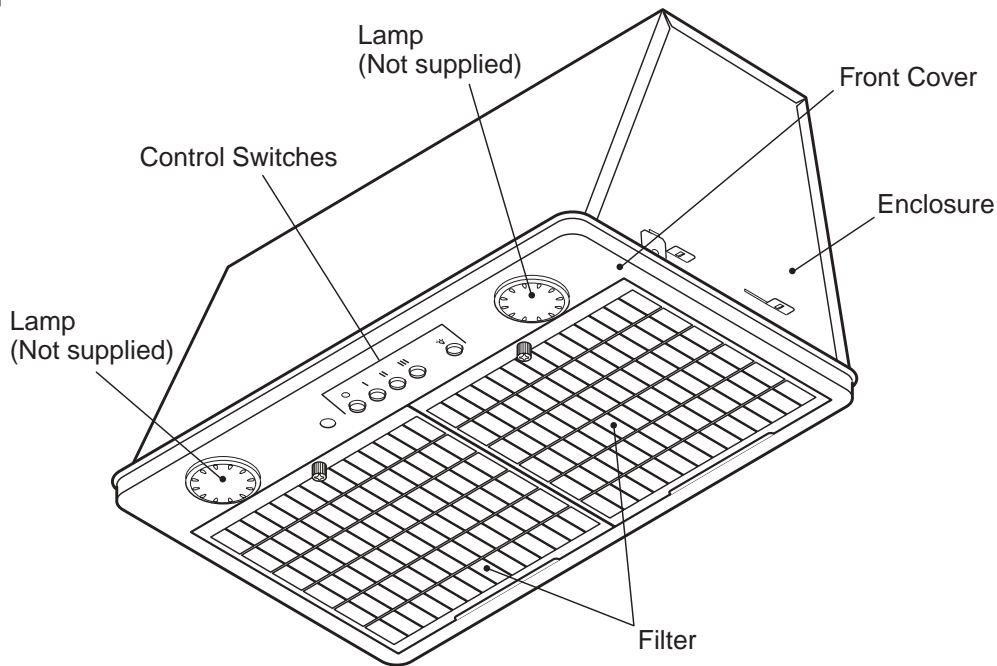


⊘ : means prohibition. It indicates actions, if any, that mustn't be done.

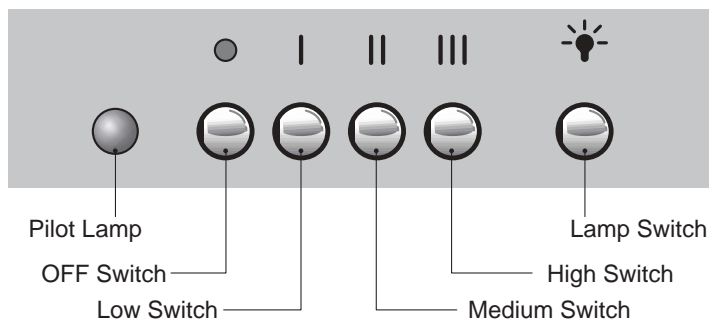


● : means forcible execution. It indicates actions, if any, that must be done.

name of parts



● Control Switches



operating the Range Hood

The range hood has five control switch buttons on its front cover.

1 Push one of the switches (I, II, III) according to your cooking need. The fan will start rotating.

I (Low) _____ In case of light cooking

II (Medium) _____ Usual position

III (High) _____ In case of heavy cooking

2 To stop the fan, just push the ● button.

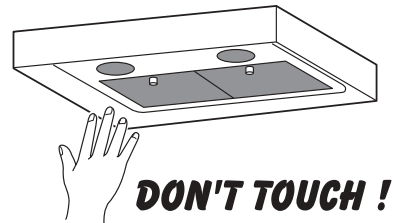
3 Push the ✨ button if you want to turn the light on. To turn it off, push the button again.

how to use

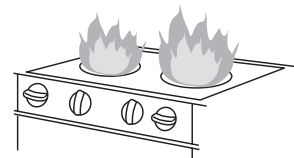
Before operation, make sure that the screws of the filters are tightened securely.

CAUTION

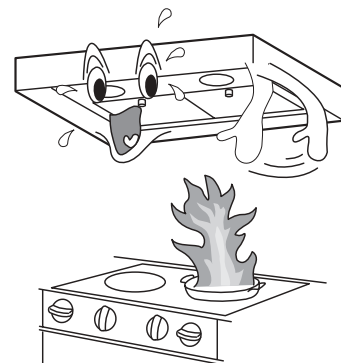
- During cooking, do not touch the filters or their screws. If the filters are attached incorrectly, they may become detached and fall down.
- Do not touch the lamps or their peripheral areas when they are ON, or your hand may be burned as they get overheated.



- Do not use a gas range with nothing on the burners. Otherwise the range hood could become overheated and it might be a cause of failure.



- Stop running the range hood immediately if a fire occurs while cooking. Continued operation of the range hood will add intensity to the fire.



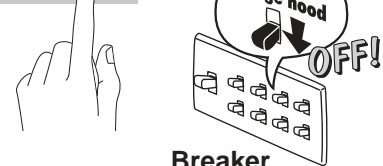
care and maintenance

Clean the range hood as many times as possible (especially, clean the filter once a month) as it becomes dirty and deteriorates in function if it's left unclean. For a family size of 4 to 5 people and cooking twice a day, clean the filter once every two weeks to avoid grease contamination and grease build-up, which is difficult to clean.

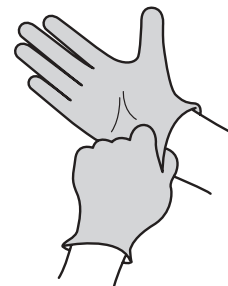
CAUTION

- Before replacing the light bulb or cleaning the range hood, be sure to set the lamp and off switches to the OFF position, then switch off the breaker of service panel.
- For safety, always wear working gloves, safety glasses or goggles while cleaning the filter, etc.
- Keep people away when cleaning to avoid injury from unexpected falling of filter or splashing of detergent.

Control Switches

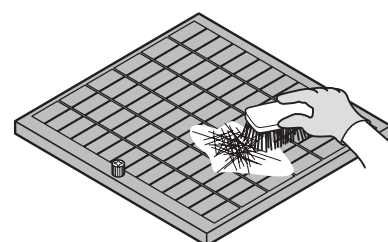
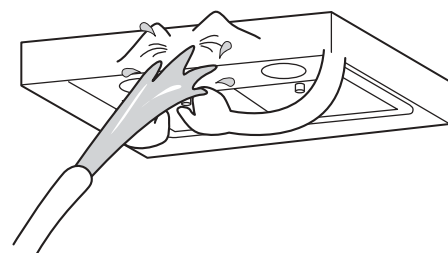


Breaker



CAUTION

- Do not splash water on the electric parts such as the switch or connectors. Do not use a spray type detergent to clean electric parts. It may cause trouble.
- Do not use solvents such as thinner, benzine or the like and polishing powder for cleaning the painted surfaces, face plates, etc. as these parts may become lusterless or scratched.
- Do not wash parts with a hard brush or the like for cleaning as they can cause damage.

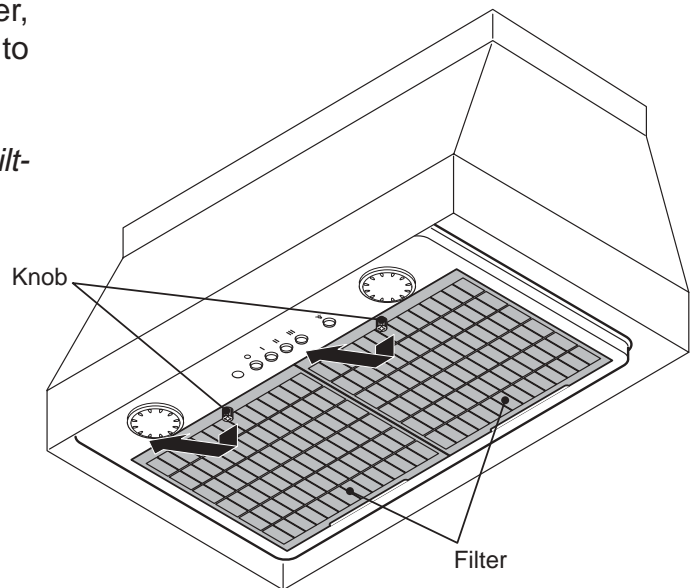


disassembling

Filter

First, remove the knob holding the filter, then slide it in the direction of the arrow to disengage from the catches.

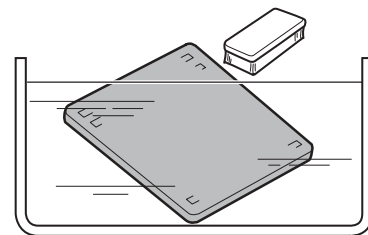
NOTE: As the filter may have grease built-up, be careful when removing it.



cleaning

1 Filter

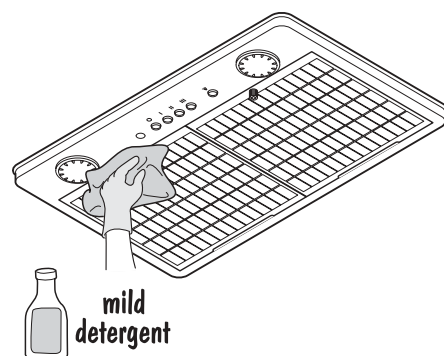
After immersing the filter in water with a mild detergent for 30 to 40 minutes, wash it with a toothbrush or the like to remove dirt. Clean the filter frequently to avoid grease contamination and grease build-up, which is difficult to clean.



2 Front Cover

After wiping the front cover off with a cloth immersed in a mild detergent, wipe off moisture thoroughly with a dry cloth.

NOTE: The stainless type of the front cover is clear coated to avoid greasy dirt. Be careful not to scour strongly when cleaning as it may be scratched or discolored.



re-assembling

Re-assembly will be done by following the opposite way of disassembly procedure described in Item "disassembling".

- (1) Make sure that the filter is fixed in the appropriate position firmly.
- (2) Make sure that there is no abnormal vibration sound when running.

replacing the light bulb

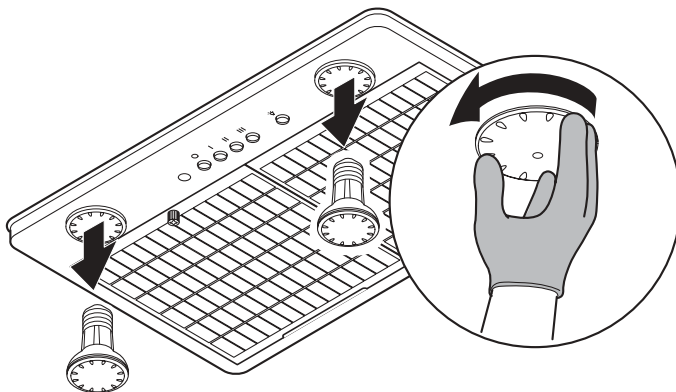
Two 50W halogen light bulbs can be installed in this range hood.

Prior to replacing the light bulb, purchase a halogen light bulb (PAR20 bulb, in the base diameter 26mm: medium base), rated 120V - 50W or below.

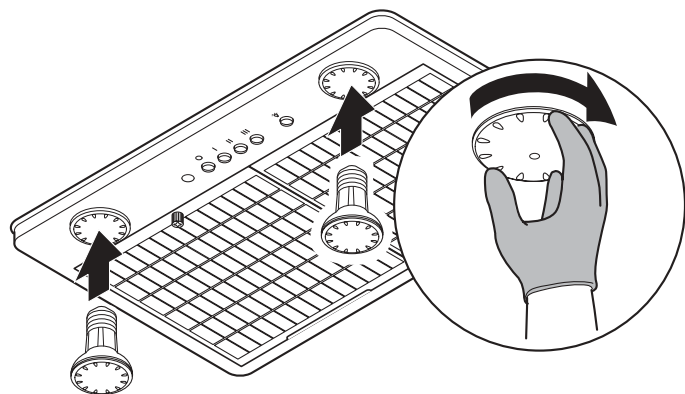
1 To remove the light bulb, turn it counter-clockwise. Then, replace the light bulb with a new one.

NOTE: When replacing the bulb, wait until it has cooled off before removing, or you may burn your hand.

● To remove the light bulb



● To install the light bulb



requesting service

prior to requesting service

Prior to requesting service, do the following check by yourself for common errors.

<i>Situation</i>	<i>Check</i>
Range Hood does not operate.	Is power switch on at the service panel?
Range Hood is noisier than usual or vibrating.	Is the filter contaminated by grease?
Lamp does not turn on.	Is the bulb broken? Is the bulb put in the socket correctly?

NOTE

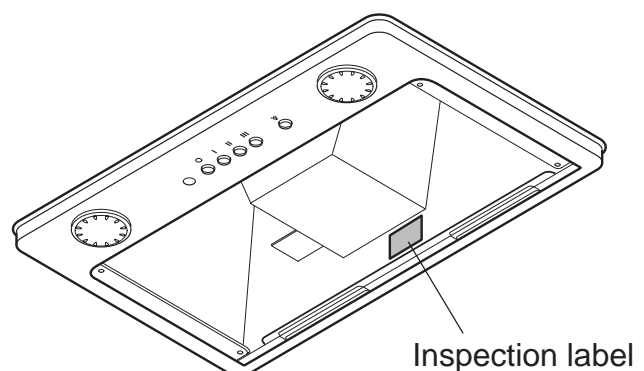
- *Service parts are kept at the manufacturer for a maximum of six years after ceasing the production of this model.*
- *Requesting service indirectly can be done through contacting the dealer who sold this range hood to you.*
- *When the range hood is not working normally even after checking common errors, please provide the following information to Fuji Industrial USA, Inc. (FIU).*

*Fuji Industrial USA, Inc. 16300 Christensen Rd., Ste 212
Seattle WA 98188-3403
Telephone: 1-888-547-9880
After Service Division Telephone: 1-866-FUJI IND
(1-866-385-4463)*

- Product ----- Range Hood*
- Model Number ----- BUF-06P*
- Serial Number*
- Date of purchase*
- What is the problem?*
- Owner's address*
- Owner's telephone number*
- Suggested date for service person's visit*

inspection label

The model number and serial number are indicated on the inspection label, which is attached to the inside of the Range Hood. Remove the filter to see it.



specifications

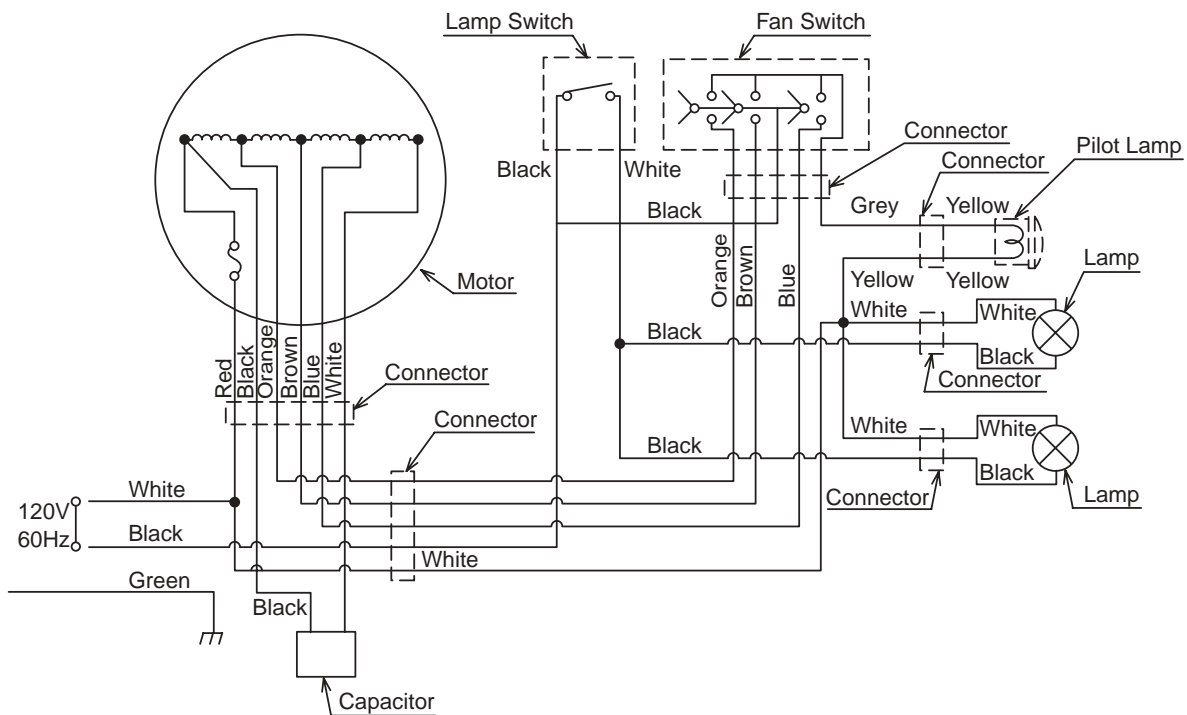
Refer to the following table.

Model	Voltage (V)	Frequency (Hz)	Speed	Power Consumption (W)	Air Flow (CMF)		Noise Level (dB)
					at 0 Pa	at 25 Pa	
BUF-06P	120	60	Hi	325	650	620	56.0
			Me	260	430	410	45.0
			Lo	220	230	210	32.0

NOTE

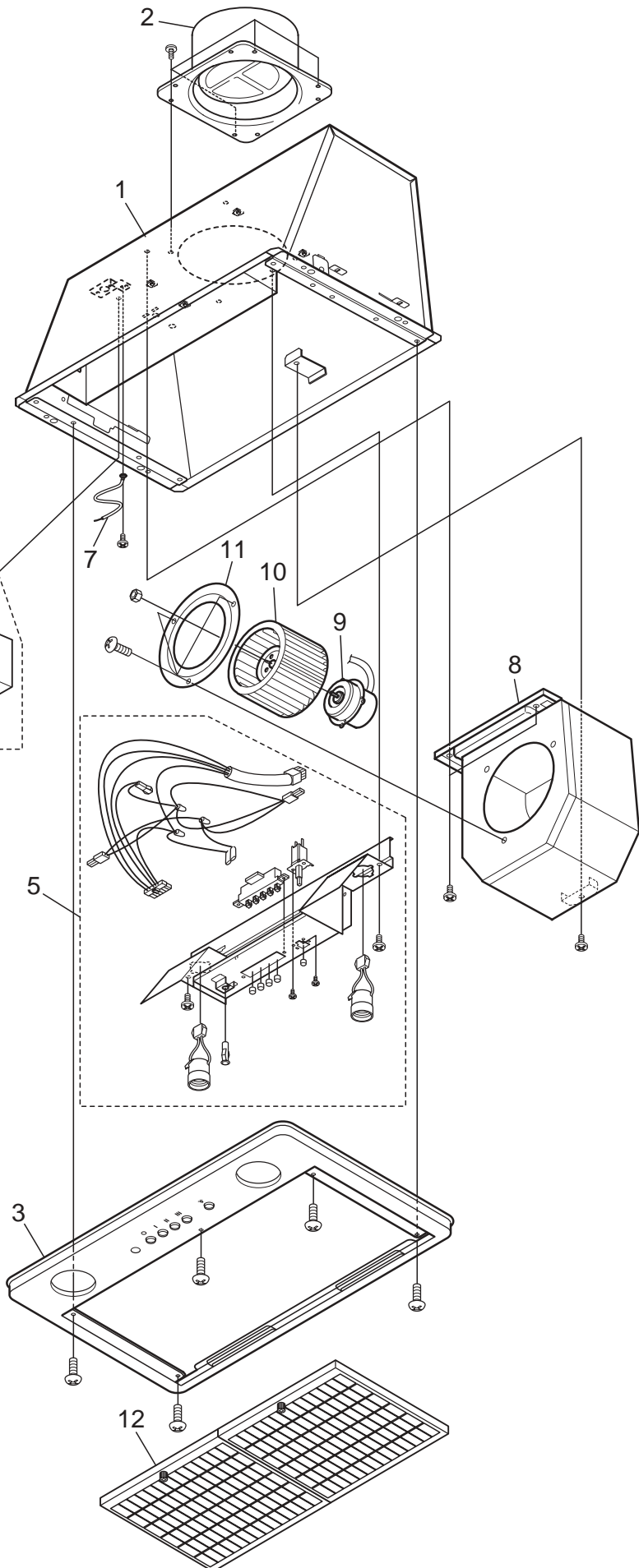
FUJI INDUSTRIAL CO., LTD. has measured airflow under HVI-916 and noise levels under Japanese Industrial Standard (JIS) C9603 items 8.8 and 8.9.

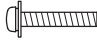

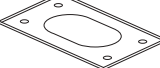
circuit diagram



parts list

No.	Parts Name
1	Enclosure
2	Exhaust Pipe Unit
3	Front Cover Front Cover (Clear Coated Stainless)
4	Wire Box Unit
5	Switch Box Unit
6	Wire Cover
7	Earth Wire Unit
8	Fan Unit Case
9	Motor
10	Sirocco Fan
11	Bellmouth
12	Filter
13	Attachment



Attachment	
Name of parts	Figure
Screw M5 × 30	 Four(4) Pieces
Nut with plate M5	 Four(4) Pieces
Mounting Bracket	 One(1) Piece

limited product warranty

The Fujioh product warranty is to the original purchaser (consumer) of its products only and is not transferable. Fujioh warrants that its products will be free from defects in materials or workmanship for a period of three years from the date of original purchase. THERE ARE NO OTHER WARRANTIES, EXPRESS OR IMPLIED, INCLUDING, BUT NOT LIMITED TO, IMPLIED WARRANTIES OF MERCHANTABILITY OR FITNESS FOR A PARTICULAR PURPOSE.

During this three year warranty period, Fujioh will, at its option, repair or replace, free of charge, any product or part that is found to be defective under normal use and service.

This warranty does not cover: (1) Normal maintenance and service; or (2) Any products or parts that have been subject to misuse, negligence, accident, improper maintenance or repair, faulty installation or installation not in accordance to recommended installation instructions. (3) Light Bulbs.

The duration of any implied warranty is also limited to the three year period as specified above for the express warranty. In that case above limitation may not apply to you.

FUJIOH'S OBLIGATION TO REPAIR OR REPLACE PRODUCT OR PARTS, AT FUJIOH'S OPTION, SHALL BE THE PURCHASER'S SOLE AND EXCLUSIVE REMEDY UNDER THIS WARRANTY. FUJIOH WILL NOT BE LIABLE FOR INDIRECT INCIDENTAL, CONSEQUENTIAL OR SPECIAL DAMAGES ARISING OUT OF OR IN CONNECTION WITH PRODUCT USE OR PERFORMANCE. Some states do not allow the exclusion of incidental or consequential damages. In that case the above limitation may not apply to you.

This warranty gives the original purchaser (consumer) specific legal rights, and there may also be other rights that vary from state. This warranty supersedes all prior warranties.

To qualify for warranty service, first; (1) Notify Fujioh at the address shown below or telephone: 1-888-547-9880; (2) Give the model number and part identification and; (3) Describe the nature of any defect in the product or part. At the time warranty service is requested, proof of purchase and evidence showing the original purchase date must be presented.

Keep this book and your sales slip together for future reference. You must provide proof of purchase or installation date for in-warranty service.

Write down the following information about your Range Hood to better help you obtain assistance or service if you ever need it. You will need to know your complete model number and serial number. You can find this information on the Inspection Label, located on your appliance as shown in the Operation Manual "REQUESTING SERVICE".

Dealer Name _____
Address _____
Phone Number _____
Model Number _____
Serial Number _____
Purchase Number _____

After Service Division

Telephone: 1-866-FUJI IND
(1-866-385-4463)

FUJIOH

Fuji Industrial USA, Inc.
16300 Christensen Rd., Ste-212 Seattle, WA 98188-3403
Telephone: 1-888-547-9880

1U02 1282

FUJIOH

Hotte D'aspiration MODE D'EMPLOI

MODÈLE: BUF-06P

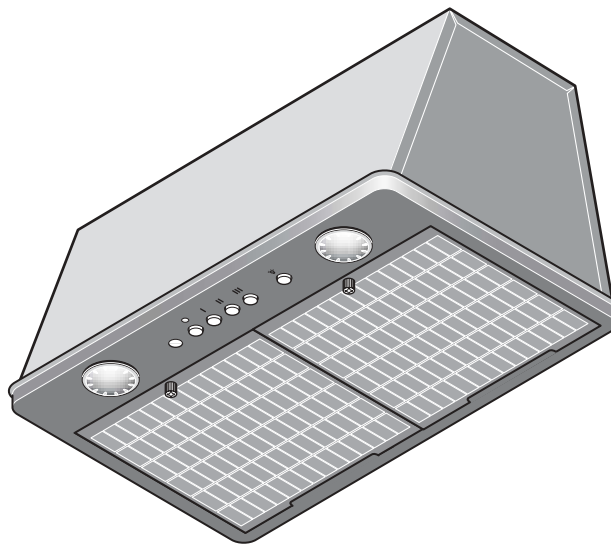


TABLE DES MATIÈRES

Instructions de sécurité	2
Nomenclature	4
Utilisation	4
Fonctionnement de la hotte d'aspiration	5
Entretien et maintenance	6
Démontage	7
Nettoyage	7
Remontage	7
Remplacement de l'ampoule	8
Recours au service après-vente	9
Avant de faire appel au SAV	9
Etiquette d'inspection	9
Fiche technique	10
Schéma de câblage	10
Liste des pièces	11
Garantie	12

LISEZ ET CONSERVEZ CES INSTRUCTIONS.

Conservez ce mode d'emploi dans un
endroit sûr pour référence ultérieure.

FUJI INDUSTRIAL CO., LTD.



1U02 1282

INSTRUCTIONS DE SÉCURITÉ







Lisez attentivement ces instructions avant d'installer et de faire fonctionner l'appareil et utilisez celui-ci uniquement de la manière indiquée par le fabricant dans le mode d'emploi.

Les termes ci-dessous sont utilisés pour vous avertir des blessures personnelles ou des dégâts pouvant être éventuellement occasionnés.








Les avertissements ont été classifiés en trois catégories sur la base de situations potentiellement dangereuses. Respectez les consignes de sécurité indiquées par ces symboles pour éviter les blessures, la mort ou les dégâts matériels.

-  **ATTENTION:** ATTENTION indique une situation potentiellement dangereuse qui, si elle n'est pas évitée, peut provoquer un décès ou des blessures graves.
-  **PRÉCAUTION:** PRECAUTION indique une situation potentiellement dangereuse qui, si elle n'est pas évitée, peut provoquer des blessures mineures ou légères.
- PRÉCAUTION:** PRECAUTION sans le symbole d'avertissement, indique une situation potentiellement dangereuse qui, si elle n'est pas évitée, peut provoquer des dégâts matériels.

ATTENTION

- | | |
|---|--|
|  | <p>1. POUR RÉDUIRE LES RISQUES D'INCENDIE, D'ÉLECTROCUTION OU DE BLESSURES PERSONNELLES, OBSERVEZ LES PRÉCAUTIONS SUIVANTES :</p> <p>a) Utilisez cet appareil uniquement de la manière indiquée par le fabricant. Si vous avez des questions, contactez le fabricant.</p> <p>b) Avant de réparer ou de nettoyer l'appareil, mettez-le hors tension sur le panneau de service et coupez le courant de rupture de service pour éviter que l'appareil ne soit remis sous tension accidentellement. Si le courant de rupture de service ne peut pas être coupé, fixez un moyen d'avertissement visible, comme une étiquette, sur le panneau de service.</p> |
|  | <p>2. POUR ÉVITER LA MISE À FEU DE L'HUILE SUR LA CUISINIÈRE :</p> <p>a) Ne laissez jamais les unités de surface sans surveillance sur grand feu. Les débordements peuvent provoquer de la fumée et des dépôts huileux qui peuvent s'enflammer. Chauffez l'huile sur feu doux ou moyen.</p> <p>b) Mettez toujours la hotte sous tension lorsque vous cuisinez à grand feu ou lorsque vous flambez un plat (par ex. Crêpes Suzette, Cerise jubilé, Steak au poivre flambé).</p> <p>c) Nettoyez fréquemment les ventilateurs. La graisse ne doit pas s'accumuler sur le ventilateur ou sur le filtre.</p> <p>d) Utilisez des casseroles de taille convenable. Utilisez toujours des ustensiles adaptés à la taille des éléments de surface.</p> |
|  | <p>3. POUR RÉDUIRE LES RISQUES DE BLESSURES PERSONNELLES EN CAS D'INCENDIE PROVOQUÉ PAR LA MISE À FEU DE L'HUILE SUR LA CUISINIÈRE, RESPECTEZ LES PRÉCAUTIONS SUIVANTES :</p> <p>a) ÉTOUFFEZ LES FLAMMES avec un couvercle bien adapté, une plaque à gâteaux ou un plateau métallique et éteignez ensuite le brûleur. VEILLEZ à ÉVITER LES BRÛLURES. Si les flammes ne s'éteignent pas immédiatement, ÉVACUEZ ET FAITES APPEL AUX SAPEURS-POMPIERS.</p> <p>b) NE SAISISSEZ JAMAIS UNE CASSEROLE EN FLAMMES, vous risqueriez d'être brûlé.</p> <p>c) N'UTILISEZ PAS D'EAU, y compris les chiffons ou serviettes mouillées, ceci pouvant provoquer une violente explosion de vapeur.</p> <p>d) Utilisez un extincteur UNIQUEMENT si :</p> <ol style="list-style-type: none">1) Vous possédez un extincteur de classe ABC et vous savez comment l'utiliser.2) Le feu est petit et circonscrit à la zone où il a débuté.3) Vous avez appelé les sapeurs-pompiers.4) Vous pouvez lutter contre l'incendie avec une sortie derrière vous. |
|  | <p>4. Ne placez pas de pièces électriques dans l'eau et ne vaporisez pas d'eau sur ces pièces. Ceci pourrait provoquer un incendie ou une électrocution.</p> |
|  | <p>5. En cas de fuite de gaz potentielle, ne mettez pas l'appareil sous et hors tension, ceci pouvant provoquer une explosion de gaz.</p> |
|  | <p>6. Ne tentez pas de modifier ou de réparer ce produit. Adressez-vous à un personnel qualifié pour toutes les réparations, pour éviter les incendies, électrocutions ou les blessures.</p> |

PRÉCAUTION

- | | |
|---|---|
|  | 1. Pour ventilation générale uniquement. Ne pas utiliser pour évacuer des substances ou des vapeurs dangereuses ou explosives. |
|  | 2. Pour réduire les risques d'incendie et pour évacuer correctement l'air, veillez à conduire l'air vers l'extérieur. N'évacuez pas l'air dans des espaces comportant des murs et des plafonds ou dans les greniers, les espaces confinés ou les garages. |
|  | 3. Lisez l'étiquette des spécifications de cet appareil pour des informations et renseignements supplémentaires. |
|  | 4. Mettez l'appareil hors tension sur le panneau de service si vous comptez ne pas utiliser la hotte pendant une période prolongée. L'isolation électrique peut être endommagée si vous ne le faites pas. |
|  | 5. Fixez correctement le filtre et les autres pièces. Une fixation incorrecte peut provoquer des blessures personnelles ou des dégâts matériels. |
|  | 6. N'utilisez pas de filtre ni de couvercle de filtre vendus dans le commerce sur la pièce de filtre car cela pourrait affecter ses performances et engendrer des problèmes. |
|  | 7. Mettez des gants de travail lorsque vous procédez aux réparations pour éviter de vous couper avec les bords des parties métalliques. |

REMARQUE : Les précautions de sécurité sont expliquées avec les pictogrammes suivants :

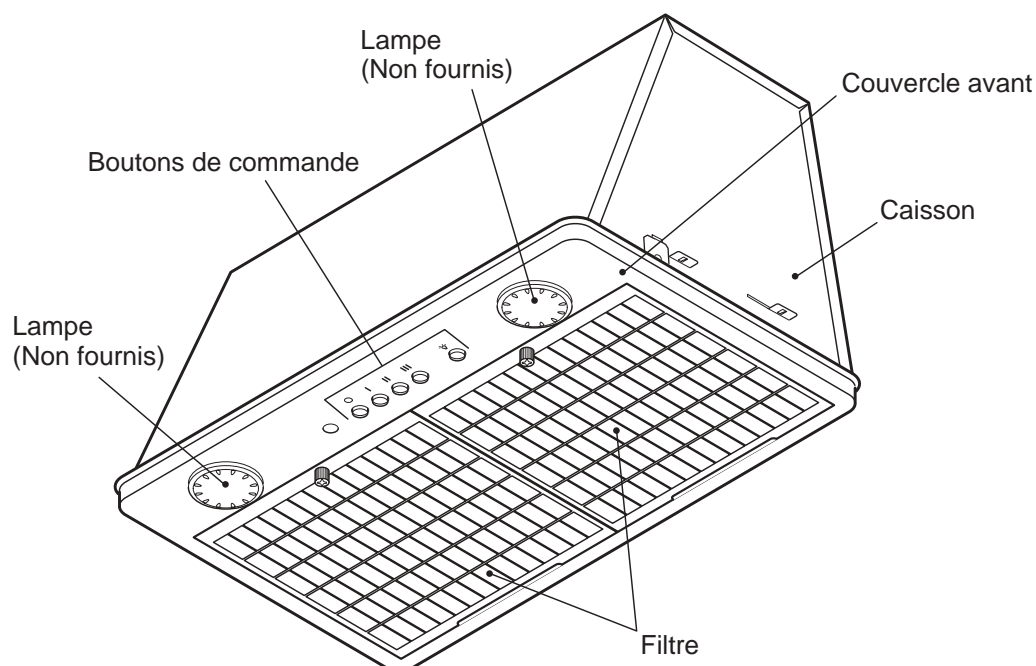


⊘ : signifie interdiction. Indique des actions qui ne doivent pas être effectuées.

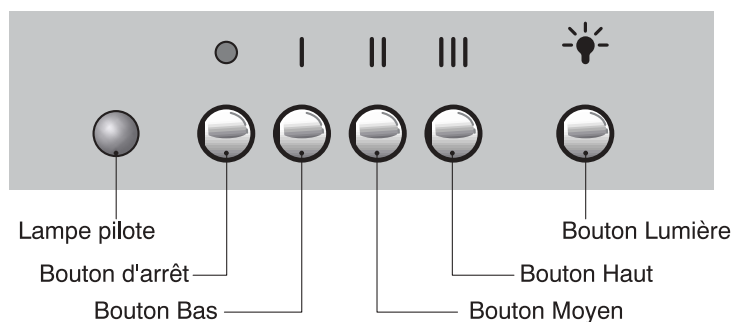


● : signifie exécution forcée. Indique des actions qui doivent être exécutées.

nomenclature



● Boutons de commande



fonctionnement de la hotte d'aspiration

La hotte d'aspiration comporte cinq boutons de commande et une lampe pilote sur le couvercle avant.

1 Appuyez sur le bouton du ventilateur **I** (Bas) ou **III** (Haut) qui convient à vos besoins en cuisson.

I (Bas) ————— Pour les préparations légères sans beaucoup de fumée

II (Moyen) ——— Position habituelle

III (Haut) ——— Pour les préparations dégageant beaucoup de fumée

2 Pour arrêter le ventilateur, appuyez simplement sur le bouton d'arrêt.

3 Appuyez sur le bouton Lumière si vous voulez allumer la lampe.

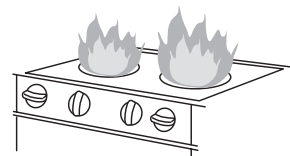
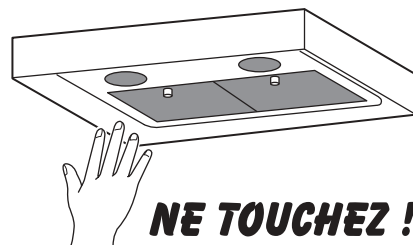
3 Pour éteindre, appuyez sur le bouton d'arrêt.

utilisation

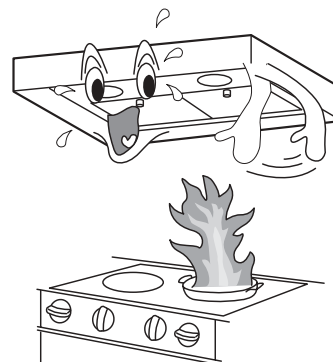
Avant l'utilisation, assurez-vous que les vis du filtre et du couvercle de lampe sont bien serrés à fond.

PRÉCAUTION

- Pendant la cuisson, ne touchez pas au filtre ni à ses vis. Si le filtre n'est pas fixé correctement, il risque de se desserrer et de tomber.
- Ne touchez pas les lampes ni les sections à l'entour lorsque les lampes sont allumées. Vous pourriez vous brûler car elles seront très chaudes.
- N'utilisez pas de fourneau à gaz sans rien mettre sur les brûleurs. La hotte d'aspiration pourrait surchauffer, ce qui pourrait provoquer une panne.



- Arrêtez immédiatement la hotte d'aspiration s'il se produit un feu lorsque vous cuisinez. L'intensité du feu augmentera si vous continuez à utiliser la hotte d'aspiration.



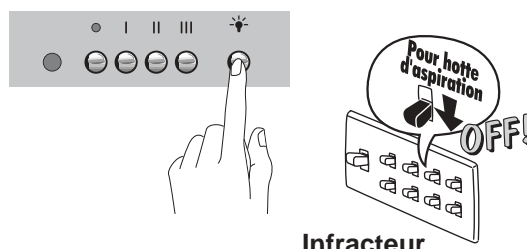
entretien et maintenance

Nettoyez la hotte d'aspiration le plus souvent possible (et en particulier le filtre une fois par mois), car elle se salit et devient moins performante si elle n'est pas entretenue. Pour une famille de 4 à 5 personnes et en cuisinant deux fois par jour, nettoyez le filtre une fois tous les quinze jours pour éviter la contamination et la formation d'une couche de graisse difficile à retirer par la suite.

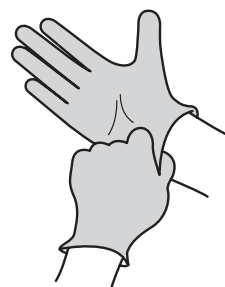
PRÉCAUTION

- Avant de remplacer l'ampoule ou de nettoyer la hotte d'aspiration, veillez à appuyer sur le bouton d'arrêt et à couper le disjoncteur du panneau de service.
- Par mesure de sécurité mettez des gants de travail et des lunettes de protection lorsque vous nettoyez le filtre, etc.
- Eloignez les personnes lorsque vous nettoyez pour éviter de blesser par la chute accidentelle du filtre ou l'éclaboussement de détergent.

Boutons de commande

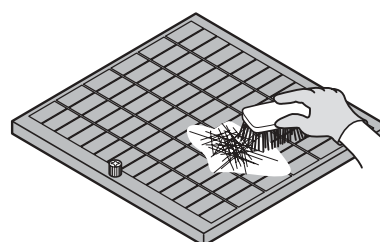
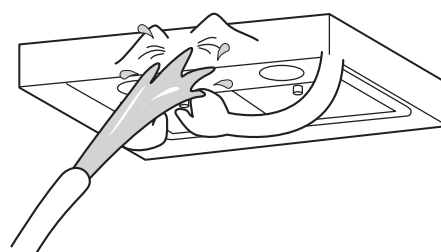


Infracteur



PRÉCAUTION

- N'éclaboussez pas les pièces électriques comme le moteur, les interrupteurs et les connecteurs avec de l'eau. N'utilisez pas de détergents en vaporisateur sur les pièces électriques car ceci peut provoquer des problèmes.
- N'utilisez pas de solvants comme un diluant, de la benzine ou un produit identique, ou de la poudre à récurer pour nettoyer les surfaces peintes, les plaques de surface, etc., car elles peuvent perdre leur brillant ou être tachées.
- Ne lavez pas les pièces avec une brosse dure pour les nettoyer car ceci risque de les endommager.

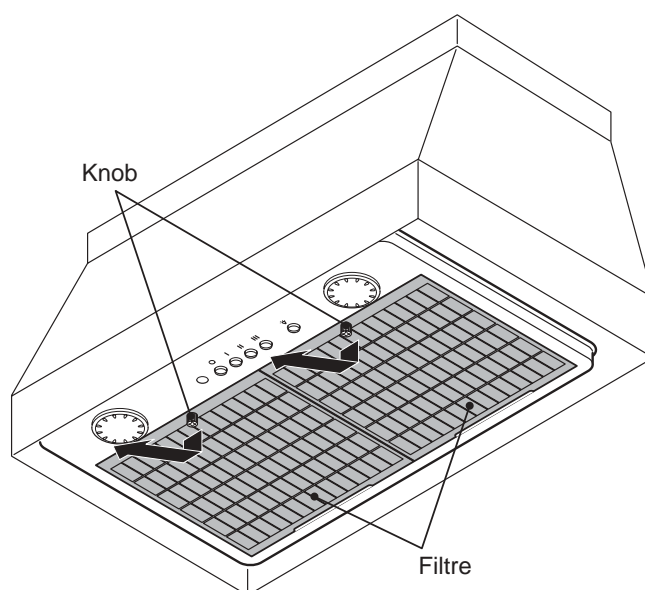


démontage

Filtre

Retirez tout d'abord le bouton fixant le filtre, puis déplacez-le dans le sens de la flèche pour le déloger des cliquets.

REMARQUE : Faites attention lorsque vous retirez le filtre car il peut comporter des dépôts de graisse.



nettoyage

1 Filtre

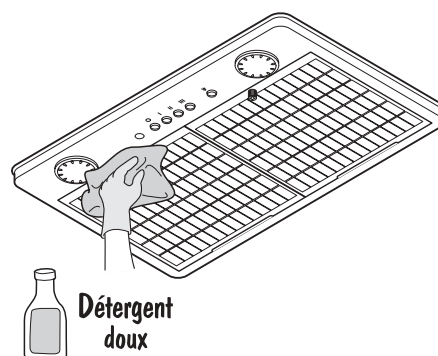
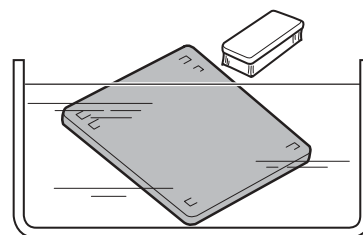
Après avoir immergé le filtre dans de l'eau avec un détergent doux pendant 30 à 40 minutes, lavez-le avec une brosse à dents ou un objet similaire pour retirer la saleté.

Nettoyez le filtre fréquemment de façon à éviter toute contamination par la graisse et toute accumulation de graisse, qui sont difficiles à nettoyer.

2

Après avoir essuyé le couvercle avant avec un chiffon imbibé d'un détergent doux, essuyez soigneusement avec un chiffon sec.

REMARQUE: Le couvercle avant de type acier inoxydable possède un revêtement transparent pour éviter toute salissure de graisse. Faites attention de ne pas le frotter trop fort lorsque vous le nettoyez, car vous pourriez le rayer ou le décolorer.



remontage

Le remontage se fait à l'inverse de la procédure de démontage décrite dans la section "démontage".

- (1) Assurez-vous que le filtre est bien en place dans sa position.
- (2) Assurez-vous qu'il n'y a pas de son de vibration anormal lorsque l'appareil fonctionne.

remplacement de l'ampoule

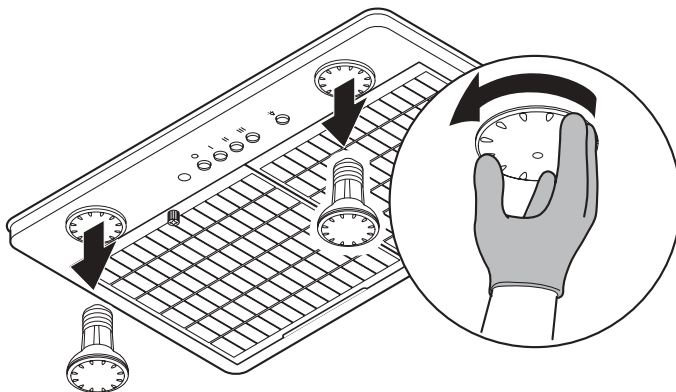
Vous pouvez installer deux ampoules a halogene de 50 W dans cette hotte d'aspiration.

Avant de remplacer l'ampoule, achetez une mini-ampoule halogene (avec diamètre de base de 17 mm, base moyen), de 120 V - 50 W ou moins.

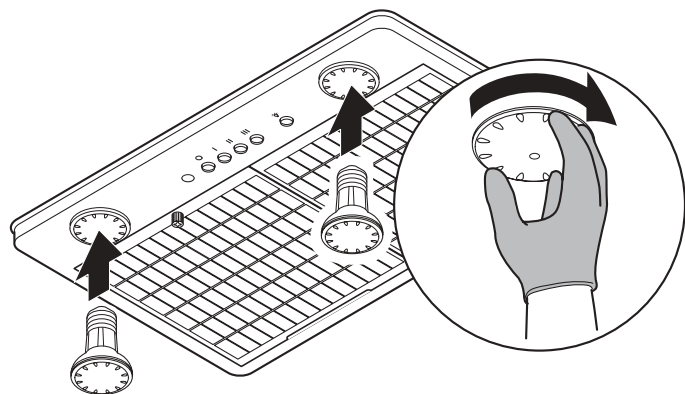
1 Pour retirer l'ampoule, tournez en dévissant Puis remplacez l'ampoule par une neuve.

REMARQUE: Lorsque vous echangez l'ampoule, attendez qu'elle ait refroidi avant de la retirer car sinon vous risquez de vous brûler les doigts.

● Pour retirer l'ampoule



● Pour installer l'ampoule



recours au service après-vente

avant de faire appel au SAV

Avant de faire appel au SAV, procédez vous-même aux vérifications suivantes pour les problèmes ordinaires.

<i>Situation</i>	<i>Vérification</i>
La hotte d'aspiration ne fonctionne pas.	L'interrupteur du panneau de service est-il sur Marche?
La hotte d'aspiration est plus bruyante que d'habitude ou elle vibre.	Le filtre est-il sali par la graisse?
La lampe ne s'allume pas.	L'ampoule est-elle cassée? L'ampoule est-elle mal insérée dans la douille?

REMARQUE

- Les pièces de service sont conservées chez le fabricant au minimum six ans après la fin de production du modèle.
- Vous pouvez demander indirectement une réparation en contactant le revendeur qui vous a vendu la hotte d'aspiration.
- Si la hotte d'aspiration ne fonctionne toujours pas correctement même après avoir vérifié les problèmes ordinaires, veuillez vous adresser à Fuji Industrial USA, Inc. (FIU).

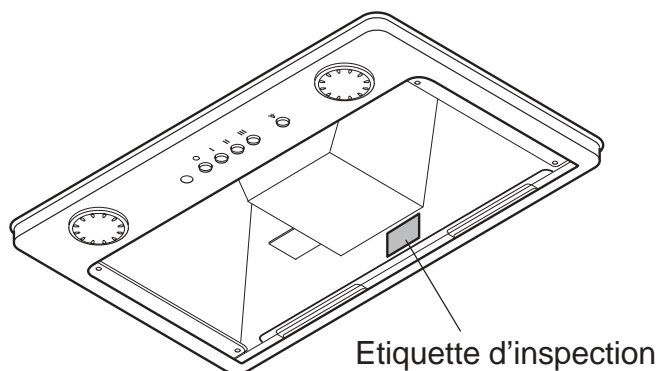
Fuji Industrial USA, Inc. 16300 Christensen Rd., Ste-212
Seattle, WA 98188-3403
Téléphone : 1-888-547-9880

Service après-vente Téléphone : 1-866-FUJI IND
(1-866-385-4463)

- Produit ----- Hotte d'aspiration
- Numéro de modèle ----- BUF-06P
- Date d'achat
- Quel est le problème?
- Nom du propriétaire
- Numéro de téléphone du propriétaire
- Date suggérée pour la visite du réparateur

étiquette d'inspection

Le numéro de modèle est indiqué sur l'étiquette d'inspection, qui est fixée sur le couvercle du châssis du ventilateur de la hotte d'aspiration. Retirez le filtre pour la voir.



fiche technique

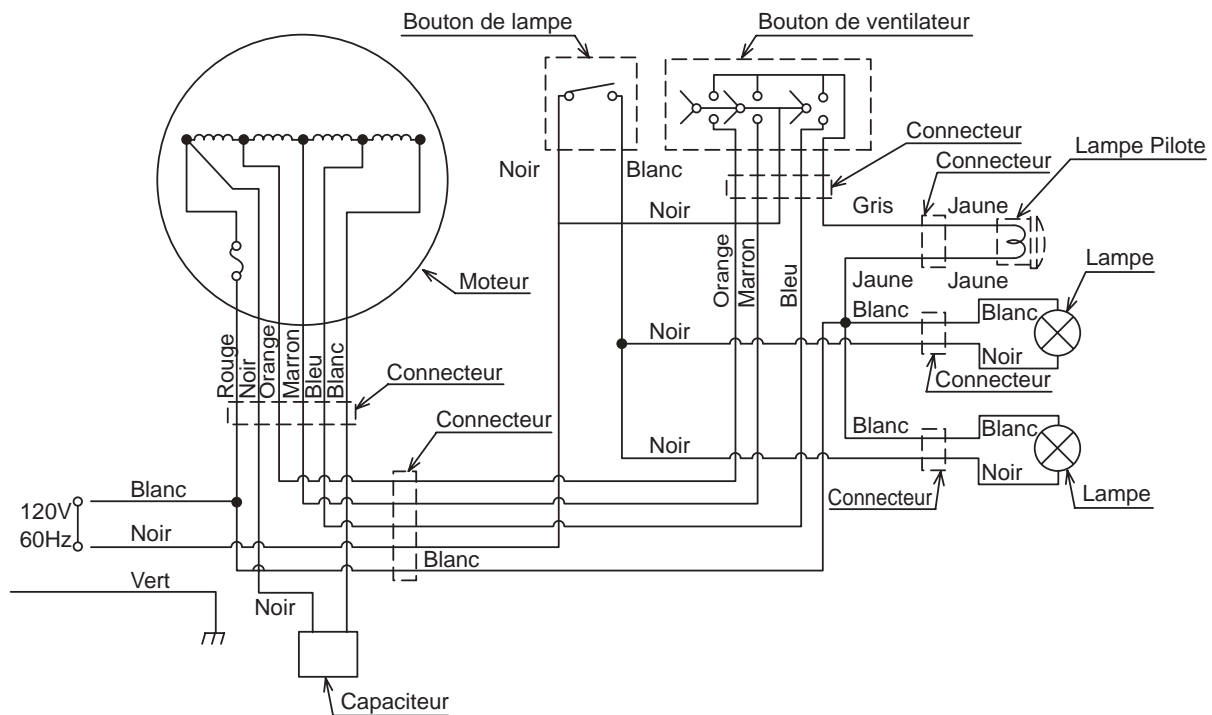
Reportez-vous au tableau suivant.

Modèle	Tension (V)	Fréquence (Hz)	Vitesse	Consommation électrique (W)	Flux d'air (CMF)		Niveau de bruit (dB)
					0 Pa	25 Pa	
BUF-06P	120	60	Hi	325	650	620	56.0
			Me	260	430	410	45.0
			Lo	220	230	210	32.0

REMARQUE

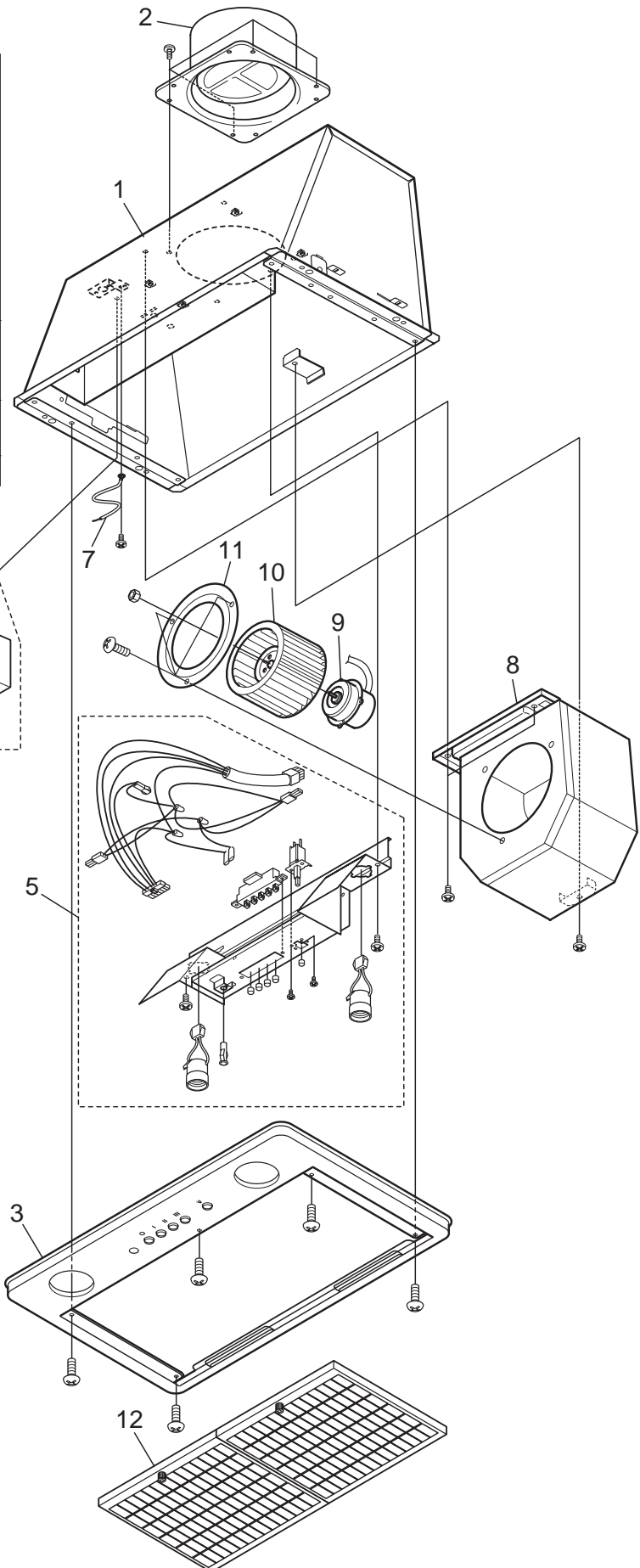
FUJI INDUSTRIAL CO., LTD. a mesuré le débit d'air selon HVI-916 et les niveaux de bruits conformément aux rubriques 8.8 et 8.9 des Normes industrielles japonaises (JIS) C9603.




schéma de câblage



liste des pièces

No.	Composant (pièce)
1	Caisson
2	Tuyau d'échappement
3	Couvercle avant
	Couvercle avant (Acier inoxydable à revêtement transparent)
4	Unité de boîte de câblage
5	Boîtier des commutateurs
6	Convercle de câblage
7	Fil de terre
8	Châssis du ventilateur
9	Moteur
10	Ventilateur
11	Evasement
12	Filtre
13	Pièces de fixation



Pièces de fixation	
Nom des pièces	Schéma
Vis M5 × 30	 Quatre(4)
Ecrous avec plaque M5	 Quatre(4)
Etrier de montage	 Une(1)

garantie limitée du produit

La garantie du produit Fujioh est destinée à l'acheteur d'origine (consommateur) de ses produits et n'est pas transférable. Fujioh garantit que ses produits sont exempts de défauts de matériels ou de main d'œuvre pendant une période de trois ans à partir de la date d'achat. IL N'Y A PAS D'AUTRES GARANTIES, EXPLICITES OU IMPLICITES, Y COMPRIS MAIS SANS SE LIMITER À DES GARANTIES IMPLICITES DE COMMERCIALITÉ OU DE CONVENANCE À UN OBJECTIF PARTICULIER.

Pendant cette période de garantie de trois ans, Fujioh réparera ou remplacera, selon son gré et gracieusement, tout produit ou pièce considérée comme défectueux pour l'usage et le service normal.

Cette garantie ne couvre pas : (1) la maintenance et les réparations normales; ou (2) tous les produits ou pièces qui ont été soumis à des utilisations erronées, des négligences, des accidents, un entretien ou des réparations inadéquates, une installation défectueuse ou une installation non conforme aux instructions recommandées. (3) ampoules.

La durée de toute garantie implicite est également limitée à une période de trois ans comme spécifié ci-dessus pour la garantie explicite. Dans ce cas, les limites indiquées ci-dessus peuvent ne s'appliquer pour vous.

L'OBLIGATION DE FUJIOH DE RÉPARER OU DE REMPLACER LE PRODUIT OU LES PIÈCES, À SON GRÉ, CONSTITUERA LE RECOURS UNIQUE ET EXCLUSIF DE L'ACHETEUR SOUS CETTE GARANTIE. FUJIOH NE SERA PAS TENU POUR RESPONSABLE DES DOMMAGES INDIRECTS, FORTUITS, CONSÉQUENTS OU SPÉCIAUX PROVENANT DE OU EN RELATION AVEC L'UTILISATION OU LES PERFORMANCES DE CE PRODUIT. Certains états ne permettent pas l'exclusion des dommages fortuits ou conséquents. Dans ce cas, les limites indiquées ci-dessus ne peuvent pas s'appliquer pour vous.

La présente garantie donne à l'acheteur initial (consommateur) des droits légaux spécifiques et également d'autres droits qui peuvent varier selon les états. Cette garantie annule toutes les garanties précédentes.

Pour être habilité au service de garantie, tout d'abord : (1) avisez Fujioh à l'adresse indiquée ci-dessus ou téléphonez au : 1-888-547-9880; (2) indiquez le numéro de modèle et le numéro d'identification de la pièce; (3) décrivez la nature du défaut du produit ou de la pièce. Au moment où le service de garantie est nécessaire, une preuve d'achat et la marque indiquant la date de l'achat initial devront être présentées.

Conservez cette brochure avec votre reçu à des fins de référence ultérieure. Vous devrez fournir un justificatif d'achat ou de la date d'installation lorsque vous voudrez faire jouer la garantie.

Ecrivez les informations suivantes relatives à votre hotte d'aspiration pour nous permettre de vous offrir la meilleure assistance et le meilleur service possibles. Vous devez connaître le numéro de modèle et le numéro de série en entier. Ils figurent sur l'étiquette d'inspection, qui se trouve sur l'appareil à l'endroit indiqué à la section "Réparations" dans le mode d'emploi.

Nom du magasin d'achat _____
Adresse _____
Numéro de téléphone _____
Numéro de modèle _____
Numéro de série _____
Numéro d'achat _____

Service après-vente

Téléphone : 1-866-FUJI IND
(1-866-385-4463)

FUJIOH

Fuji Industrial USA, Inc.

16300 Christensen Rd., Ste-212 Seattle, WA 98188-3403

Téléphone : 1-888-547-9880

1U02 1282

Free Manuals Download Website

<http://myh66.com>

<http://usermanuals.us>

<http://www.somanuals.com>

<http://www.4manuals.cc>

<http://www.manual-lib.com>

<http://www.404manual.com>

<http://www.luxmanual.com>

<http://aubethermostatmanual.com>

Golf course search by state

<http://golfingnear.com>

Email search by domain

<http://emailbydomain.com>

Auto manuals search

<http://auto.somanuals.com>

TV manuals search

<http://tv.somanuals.com>