

ES 500 Art. 4066

D Betriebsanleitung Elektro-Rasenlüfter	SK Návod na obsluhu Elektrický prevzdušňovač
GB Operating Instructions Electric Lawn Rake	GR Οδηγίες χρήσης Ηλεκτρικός εξαερωτής γραζόν
F Mode d'emploi Aérateur électrique	RUS Инструкция по эксплуатации Аэратор газонный электрический
NL Gebruiksaanwijzing Elektrische gazonbeluchter	SLO Navodilo za uporabo Električni prezračevalnik trate
S Bruksanvisning Elektrisk Gräsmatteluftare	HR Upute za uporabu Električni prozračivač
DK Brugsanvisning Elektrisk Plænelufter	SRB Uputstvo za rad BIH Električni aerator za travnjake
FI Käyttöohje Sähkökäyttöinen ilmastointilaite	UA Інструкція з експлуатації Аератор газонний електричний
N Bruksanvisning Elektrisk plenlufter	RO Instrucțiuni de utilizare Aerator electric
I Istruzioni per l'uso Arieggiatore elettrico	TR Kullanma Kılavuzu Elektro-Çim Havalandırıcı
E Instrucciones de empleo Aireador de césped eléctrico	BG Инструкция за експлоатация Електрическо гребло за трева
P Manual de instruções Arejador de relva eléctrico	AL Manual përdorimi Elektro-Ajrosës për Lëndina
PL Instrukcja obsługi Elektryczny aerator	EST Kasutusjuhend Elektriline murureha
H Használati utasítás Elektromos gyepszellőztető	LT Eksploatavimo instrukcija Elektrinis samanų grėblys
CZ Návod k obsluze Elektrický provzdušňovač	LV Lietošanas instrukcija Elektriskais zālāju grābeklis



Translation of the original German operating instructions.
Please read these operating instructions carefully and observe the notes given. Use these operating instructions to familiarise yourself with the Electric Lawn Rake, its proper use and the notes on safety.



For safety reasons, children under the age of 16 and people not familiar with these operating instructions must not use this Electric Lawn Rake. Persons with reduced physical or mental abilities may use the Electric Lawn Rake only if they are supervised or instructed by a responsible person.

→ Please keep these operating instructions in a safe place.

Contents:

1. Where to Use Your GARDENA Electric Lawn Rake	11
2. Safety Instructions	11
3. Function	13
4. Assembly	14
5. Operation	14
6. Maintenance	15
7. Trouble-Shooting	16
8. Storing Your Electric Lawn Rake	17
9. Accessories	18
10. Technical Data	18
11. Service/Warranty	18

1. Where to Use Your GARDENA Electric Lawn Rake

Intended use:

The GARDENA Electric Lawn Rake ES 500 is designed for aerating lawns and grassy areas in private domestic and hobby gardens. It is not designed for use in public facilities, parks, sporting grounds, on roads, in agriculture or forestry.

Compliance with these instructions provided by GARDENA is a prerequisite for using the Electric Lawn Rake correctly.

Please note:



Attention! To prevent injury, the Electric Lawn Rake must not be used for trimming bushes, hedges and shrubs. In addition, the Electric Lawn Rake must not be used for levelling irregularities in the soil.

2. Safety Instructions

→ Please observe the notes on safety on the Electric Lawn Rake.



WARNING!
→ Read instruction handbook!



DANGER!
Risk of injury!
→ Keep bystanders away!



Sharp prongs can cause injury!

- **Unplug from the mains before maintenance or if the mains lead is damaged.**
- **Keep mains connection lead away from the Electric Lawn Rake.**

Checks before each use:

- Inspect the Electric Lawn Rake before each use.
- Do not use the Electric Lawn Rake if safety devices (starter lever, safety interlock, rear flap, housing) are damaged or worn.
- Never operate the unit with the safety devices by-passed or missing.
- Note: Ensure that all nuts, bolts and screws are tight and that the Electric Lawn Rake is in good working order.

For safety reasons, allow all worn out and damaged parts to be exchanged by GARDENA Service or authorised specialist dealers.

- Inspect the area to be aerated before beginning work.
- Check the working area for foreign objects (e.g. stones, branches, string) and remove if necessary.

Proper use / Responsibility:



DANGER! Risk of injury!

The Electric Lawn Rake can cause serious injuries!

- **Keep hands and feet away from the aerator cylinder.**

You are responsible for the safety of the working area.

- Only use the Electric Lawn Rake for the purposes specified in these instructions.
- Only work when visibility is good.
- During use do not tip the unit and do not open the rear flap.
- Familiarise yourself with the surroundings of your working area. Check for possible risks which might be not audible due to the noise of the machine.
- Wear sturdy shoes and long trousers to protect your legs.
- Ensure you keep your feet a safe distance from the moving parts.
- Make sure that there are no other people (especially children) or animals anywhere near the working area.

- Always push the Electric Lawn Rake at a walking pace.
- Operating position: Ensure that you have a secure foothold when working.
- Be particularly careful if you change direction on a slope.

Attention! Take extra care when walking backwards. You may stumble!

- Do not use the Electric Lawn Rake if it is raining or in moist, wet conditions.
- Do not work close to the edge of swimming pools or garden ponds with the Electric Lawn Rake.
- Please observe any local restrictions relating to noise levels.

Electrical safety:

- Keep the extension cable away from the aerator cylinder!
- Never use the Electric Lawn Rake when it is raining.
- Please observe the prescribed local quiet times.
- The connecting/extension cable must be checked regularly for damage and signs of wear and tear.
- Disconnect the mains plug immediately if the connecting / extension cable is damaged or severed.
Never touch the mains connection cable before the mains plug has been removed from the socket.

The coupling socket for the extension cable must be waterproof for protection from water splashes or the connection sockets for extension cables must be made of rubber or be encased in rubber.

Only use extension cables authorised in accordance with HD 516.

- Ask your electrician.
- Only use approved extension cables with the correct load rating.
- Ask your electrician.

Attachment fittings must be used for extension cables.

For portable units, which are used outdoors, we recommend to use a residual-current device having a residual-current rating ≤ 30 mA.

In Switzerland use of a residual-current device is obligatory.

Interruptions of work:

Never leave the Electric Lawn Rake unattended at the working area.

- If you interrupt your work store the unit in a safe place. Disconnect the mains plug!
- When you interrupt work in order to go to another working area, always switch off the Electric Lawn Rake during transport. Put the wear compensation lever in the transport position.

If you come into contact with an obstruction during aerating:

1. Turn off the Electric Lawn Rake.
2. Remove the obstruction.
3. Check the Electric Lawn Rake for damage and have it repaired if necessary.

3. Function

Correct aerating:

The Electric Lawn Rake can be used for removing matting and moss in the lawn as well as for cutting flat-rooting ranks.

To maintain a well-cared-for lawn we recommend aerating every 4 – 6 weeks depending on the state of your lawn.

- First of all, mow your lawn to the length you require.
We particularly recommend this if the grass has grown tall (e.g. while you were away on holiday).

Recommendation: the shorter you mow your lawn, the easier it is to aerate, thus lessening the strain on the Electric Lawn Rake and increasing the lifetime of the aerator cylinder.

Remaining in one spot too long, or aerating if the ground is wet or too dry can damage the grass.

- For good results, guide the Electric Lawn Rake at an appropriate speed in strips as straight as possible across your lawn.
- To avoid leaving any gaps during aerating, the strips should touch.
- Always guide the Electric Lawn Rake at an even speed depending on the type of ground.
- When working on inclines always stand diagonally to the incline in a sturdy, safe stance. Do not work on extremely steep slopes.

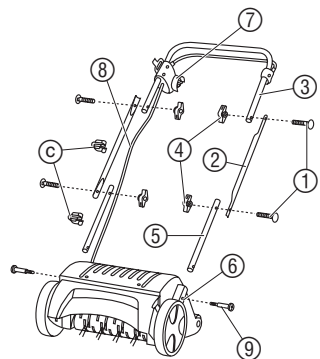
Danger of tripping!

To prevent tripping take particular care when moving backwards and when pulling the Electric Lawn Rake.

When aerating areas of very mossy lawn we recommend resowing the lawn after aerating. This helps the areas of lawn which were replaced by moss to regenerate more quickly.

4. Assembly

Assembling the handle:



1. Insert the two lower sections of the upright (5) (with the end with the round hole) in the mountings in the motor casing (6) and secure with the crosshead screws (9).
2. Insert the two locking bolts (1) from outside through the holes in the two central sections (2) of the upright and secure to the lower sections of the upright (5) with two wing nuts (4).
3. Screw the upper part of the upright with starting handle (3) to the central sections of the upright (2) with two more locking bolts (1) and the wing nuts (4).
This completes the assembly of the handle.

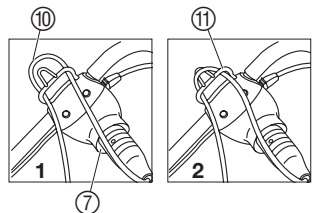
Warning: Fit the upper section of the upright with starting handle (3) in such a way that the plug (7) with the power cable (8) is on the right side (in direction of movement) (see fig.).

4. Attach connection cable (8) to the handle with the two cable clips (c).

! → Do not place the connecting cable (8) under strain during assembly.

5. Operation

Connecting extension cable:



1. Push connector of extension cable (10) on to the plug (7).
2. Draw a loop of the extension cable (10) through the cable strain relief device (11) 1 and suspend in position 2.
This prevents inadvertent disconnection of the plug and socket connection.
3. Insert extension cable (10) into a mains socket.

Starting Electric Lawn Rake:



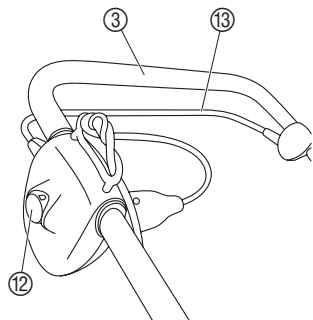
Danger of injury if the Electric Lawn Rake does not switch off automatically!

→ Do **not** remove or bridge safety devices fitted to the Electric Lawn Rake (e.g. by tying the starting lever to the upper handle)!

! **DANGER!** The Electric Lawn Rake does not stop immediately after the motor has been switched off:

- **Never** lift, tip or carry the Electric Lawn Rake with the motor running!
- **Never** start on solid ground (e.g. asphalt).
- **Always** maintain the safety distance between the aerator cylinder and the user as defined by the guide handle.

1. Place Electric Lawn Rake on flat grass surface.
2. Keep safety interlock (12) pressed down and pull starting lever (13) on the upper handle (3). *The Electric Lawn Rake starts.*
3. Release safety interlock (12).



When in operation, the extension cable (10) must always be guided in the direction you are working and to the side of the area to be worked on.

Always work away from the connection cable.

Blockage Protection: If the aerator cylinder is blocked, e.g. by a foreign body, immediately release the starting lever. If the blockage lasts longer than 10 seconds and the starting lever has not been released, blockage protection is activated. In this case immediately release the starting lever. The Lawn Rake can be switched on again after cooling down for approx. 1 minute.



DANGER OF INJURY!

If blockage protection is activated and the starting lever is not released, the Electric Lawn Rake starts again automatically after approx. 1 minute.

6. Maintenance



DANGER! The aerator cylinder can cause injuries!

- Prior to maintenance, unplug from the mains and wait until the Electric Lawn Rake drum has stopped.
- Wear working gloves for performing maintenance.

Cleaning Electric Lawn Rake:

The Electric Lawn Rake should be cleaned after each time it is used.

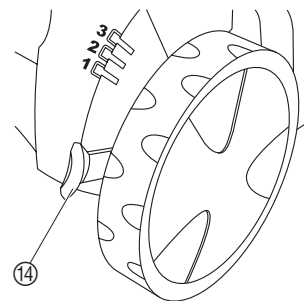


Risk of injury and physical damage!

- Do not clean Electric Lawn Rake under running water (particularly under high pressure).
- Do not use hard or pointed objects for cleaning the Electric Lawn Rake.

→ Remove grass and deposits from wheels, aerator cylinder and housing.

Adjusting for wear:



The Electric Lawn Rake is subject to wear in use due to the way in which it works. The more intensively the Electric Lawn Rake is used, the greater the wear on the spring tines. Hard or very dry ground accelerates wear as does excessive use of the Electric Lawn Rake.

If the results of your work with the Electric Lawn Rake become increasingly worse due to knife wear, the aerator cylinder can be adjusted twice.

The aerator cylinder has 4 adjustment positions:

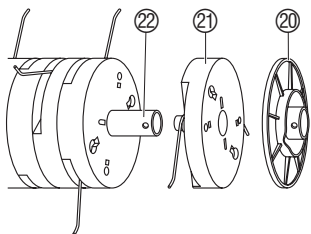
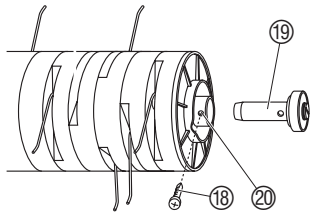
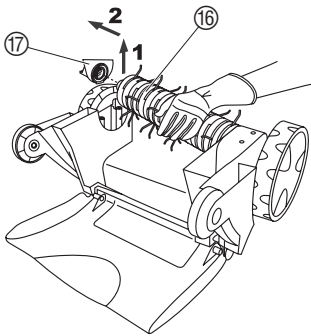
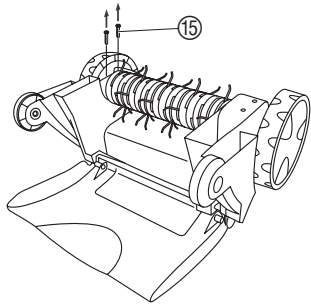
- **Transport position**
- **Aerating position 1**
- **Aerating position 2:**
If the springs are worn (the rake roller is lowered by 3 mm).
- **Setting 3:**
Second setting for worn springs (the rake roller is lowered by a further 3 mm).

Push wear compensation lever (14) gently away from the housing and move to the position required.

Note: Wear adjustment is not used for height adjustment. Adjustment of the aerator cylinder without visible wear can cause damage to the aerator cylinder or overload the motor.

7. Trouble-Shooting

Replacing spring tines:



⚠ DANGER! The aerator cylinder can cause injuries!
 → Prior to rectifying faults, unplug from the mains and wait until the aerator cylinder has stopped.
 → Wear working gloves when rectifying faults.

If the aerator cylinder is not yet worn but individual springs have broken, these must be replaced. Only original **GARDENA replacement springs** may be used.

• **Replacement spring tines for Electric Lawn Rake GARDENA ES 500 Art. 4094**

1. Unscrew two screws 15 on the underside of the housing.
2. Lift aerator cylinder 16 at an angle 1 and pull away the drive shaft 2.
3. Pull bearing shell 17 off the aerator cylinder 16.
4. Unscrew and remove screw 18 and draw out bearing bolt 19.
5. Remove cover plate 20 and spring elements 21 from the spring element holder 22.
6. Push new spring elements 21 and cover plate 20 on the spring element holder 22.
The bores on the cover plate 20 and the spring element holder 22 must lie on top of each other.
7. Push in bearing bolt 19 in such a way that all 3 bores (bearing bolt 19, cover plate 20 and spring element holder 22) are on top of each other.
8. Screw in screw 18.
9. Push aerator cylinder 16 on to the drive shaft.
10. Put bearing shell 17 on the aerator cylinder 16.
11. Screw bearing shell 17 on to the lower side of the housing with the screw 15 without tightening too much.

Problem	Possible Cause	Remedy
Abnormal noise, clattering in the unit	Foreign bodies on the aerator cylinder are hitting the Rake.	1. Switch off the rake, remove the mains plug from the socket and wait until the cylinder has stopped rotating. 2. Remove foreign bodies. 3. Check Rake immediately.
Whistling sound	Foreign bodies blocking the aerator cylinder.	→ Contact GARDENA Service.
Motor will not start	Cogged belt slipping.	→ Check cable.
	Faulty cable.	→ Contact your electrician.
	The conductor cross-section of the extension cable is possibly too low.	
Motor cuts out because reblocking protection has been activated	Blocked by foreign bodies.	1. Switch off the motor, remove the mains plug from the socket and wait until the Rake has stopped rotating. 2. Remove foreign bodies. 3. After approx. 1 minute switch on the Rake.
	Aerating depth too large (aerator cylinder has been adjusted for wear without wear to the knives).	1. Leave motor to cool down. 2. Set adjustment for wear correctly.
	The grass is too tall.	→ Mow the lawn before aerating (see 3. Function "Correct Aerating").
Aerating results are not satisfactory	Wear to the spring tines.	→ Adjust aerator cylinder (see Maintenance).
	Cog belt faulty.	→ Contact GARDENA Service.
	Lawn has grown too tall.	→ Mow the lawn before using the Electric Lawn Rake.



In the event of other faults please contact GARDENA Service. Repairs should only be carried out by GARDENA service centres or dealers authorised by GARDENA.

8. Storing Your Electric Lawn Rake

Storage:

To save space the Electric Lawn Rake can be folded up by releasing the wing nuts. **Take care during this process that the cable does not become trapped.**

→ Store the Electric Lawn Rake in a dry, closed room to which children cannot gain access.

Transport:

1. Switch off motor, unplug from the mains and wait until the aerator cylinder stops.
2. Move the wear compensation to the transport position and raise the Electric Lawn Rake when transporting it over sensitive surfaces, e.g. tiles.

Disposal:
(in accordance with
RL2002/96/EC)



The product must not be added to normal household waste.
It must be disposed of in line with local environmental regulations.

9. Accessories

GARDENA Collecting bag for Electric Lawn Rake ES 500

Art. No. 4065

10. Technical Data

Motor power consumption	500 W
Mains voltage	230 V
Mains frequency	50/60 Hz
Working speed of the aerator cylinder	2,250 r.p.m.
Aerating width	30 cm
Wear adjustments	3 x 3 mm (3 adjustments + transport)
Working area related emission characteristic value $L_{pA}^{1)}$	77 dB (A)
Noise level $L_{WA}^{2)}$	measured 89 dB (A) / guaranteed 91 dB (A)
Vibrations $a_{vhw}^{1)}$	$\leq 2.5 \text{ m/s}^2$

Measuring method according to ¹⁾ EN 60335-1 ²⁾ Directive 2000/14/EC

11. Service / Warranty

Warranty:

GARDENA guarantees this product for 2 years (starting from the date of purchase). This guarantee covers all serious defects of the unit that can be proved to be material or manufacturing faults. Under warranty we will either replace the unit or repair it free of charge if the following conditions apply:

- The unit must have been handled properly and in keeping with the requirements of the operating instructions.
- Neither the purchaser or a non-authorized third party have attempted to repair the unit.

The wearing parts, rake springs, are excluded from the warranty.

This manufacturer's guarantee does not affect the user's existing warranty claims against the dealer/ seller.

If a fault occurs with your Electric Lawn Rake, please return the faulty unit together with a copy of the receipt and a description of the fault, with postage paid to one of the GARDENA Service Centres listed on the back of these operating instructions.

D Produkthaftung

Wir weisen ausdrücklich darauf hin, dass wir nach dem Produkthaftungsgesetz nicht für durch unsere Geräte hervorgerufene Schäden einzustehen haben, sofern diese durch unsachgemäße Reparatur verursacht oder bei einem Teileaustausch nicht unsere originale GARDENA Teile oder von uns freigegebene Teile verwendet wurden und die Reparatur nicht vom GARDENA Service oder dem autorisierten Fachmann durchgeführt wird. Entsprechendes gilt für Ergänzungssteile und Zubehör.

GB Product Liability

We expressly point out that, in accordance with the product liability law, we are not liable for any damage caused by our units if it is due to improper repair or if parts exchanged are not original GARDENA parts or parts approved by us, and, if the repairs were not carried out by a GARDENA Service Centre or an authorised specialist. The same applies to spare parts and accessories.

F Responsabilité

Nous vous signalons expressément que GARDENA n'est pas responsable des dommages causés par ses appareils, dans la mesure où ces dommages seraient causés suite à une réparation non conforme, dans la mesure où, lors d'un échange de pièces, les pièces d'origine GARDENA n'auraient pas été utilisées, ou si la réparation n'a pas été effectuée par le Service Après-Vente GARDENA ou l'un des Centres SAV agréés GARDENA. Ceci est également valable pour tout ajout de pièces et d'accessoires autres que ceux préconisés par GARDENA.

NL Productaansprakelijkheid

Wij wijzen er nadrukkelijk op, dat wij op grond van de wet aansprakelijkheid voor producten niet aansprakelijk zijn voor schade ontstaan door onze apparaten, indien deze door onvakkundige reparatie veroorzaakt zijn, of er bij het uitwisselen van onderdelen geen gebruik gemaakt werd van onze originele GARDENA onderdelen of door ons vrijgegeven onderdelen en de reparatie niet door de GARDENA technische dienst of de bevoegde vakman uitgevoerd werd. Ditzelfde geldt voor extra-onderdelen en accessoires.

S Produktansvar

Tillverkaren är inte ansvarig för skada som orsakats av produkten om skadan beror på att produkten har reparerats felaktigt eller om, vid reparation eller utbyte, andra än Original GARDENA reservdelar har använts. Samma sak gäller för kompletteringsdelar och tillbehör.

DK Produktansvar

Vi gør udtrykkeligt opmærksom på, at vi i henhold til produktansvarsloven ikke er ansvarlige for skader forårsaget af vores udstyr, såfremt det sker på grund af uautoriserede reparationer eller hvis dele er skiftet ud og der ikke er anvendt originale GARDENA dele eller dele godkendt af os, eller hvis reparationerne ikke er udført af GARDENA-service eller en autoriseret fagmand. Det samme gælder for ekstra udstyr og tilbehør.

FI Tuotevastuu

Korostamme nimenomaan, että tuotevastuulain nojalla emme ole vastuussa laitteistamme johtuneista vahingoista, mikäli nämä ovat aiheutuneet epäasianmukaisesta korjauksesta tai osia vaihdettaessa ei ole käytetty alkuperäisiä GARDENA-varaosia tai hyväksymiämme osia ja korjauksen on suorittanut muu kuin GARDENA-huoltokeskus tai valtuuttamamme ammattihenkilö. Tämä pätee myös lisäosiin ja lisävarusteisiin.

I Responsabilità del prodotto

Si rende espressamente noto che, conformemente alla legislazione sulla responsabilità del prodotto, non si risponde di danni causati da nostri articoli se originati da riparazioni eseguite non correttamente o da sostituzioni di parti effettuate con materiale non originale GARDENA o comunque da noi non approvato e, in ogni caso, qualora l'intervento non venga eseguito da un centro assistenza GARDENA o da personale specializzato autorizzato. Lo stesso vale per le parti complementari e gli accessori.

E Responsabilidad de productos

Advertimos que conforme a la ley de responsabilidad de productos no nos responsabilizamos de daños causados por nuestros aparatos, siempre y cuando dichos daños hayan sido originados por arreglos o reparaciones indebidas, por recambios con piezas que no sean piezas originales GARDENA o bien piezas no autorizadas por nosotros, así como en aquellos casos en que la reparación no haya sido efectuada por un Servicio Técnico GARDENA o por un técnico autorizado. Lo mismo es aplicable para las piezas complementarias y accesorios.

P Responsabilidade sobre o produto

Queremos salientar que segundo a lei da responsabilidade do fabricante, nós não nos responsabilizaremos por danos causados pelo nosso equipamento, quando estes ocorrerem em decorrência de reparações inadequadas ou da substituição de peças por peças não originais da GARDENA, ou peças não autorizadas. A responsabilidade tornar-se-á nula também depois de reparações realizadas por oficinas não autorizadas pela GARDENA. Esta restrição valerá também para peças adicionais e acessórios.

Deutschland / Germany

GARDENA
Manufacturing GmbH
Central Service
Hans-Lorenser-Str. 40
89079 Ulm
Produktfragen:
(+49) 731 490-123
Reparaturen:
(+49) 731 490-290
service@gardena.com

Argentina

Husqvarna Argentina S.A.
Vera 745
(C1414A00) Buenos Aires
Phone: (+54) 11 4858-5000
diego.poggi@ar.husqvarna.com

Australia

Husqvarna Australia Pty. Ltd.
Locked Bag 5,
Central Coast BC, NSW 2252
Phone: 0061 24352 7400
customer.service@husqvarna.com.au

Austria / Österreich

Husqvarna Austria GmbH
Consumer Products
Industriezeile 36
4010 Linz
Phone: (+43) (0) 732/777 01 01-90
consumer.service@husqvarna.at

Belgium

GARDENA Belgium NV/SA
Leuvensesteenweg 555 B10
1930 Zaventem
Phone: (+32) 27 20 921 2
info@gardena.be

Brazil

Palash Importação
e Comércio Ltda
Rua São João do Araguaia, 338
Barueri – SP – CEP: 06409-060
Phone: (+55) 11 4198-9777
eduardo@palash.com.br

Bulgaria

Husqvarna Bulgaria Eood
72 Andrey Ijapchev Blvd.
1799 Sofia
Phone: 02/9 75 30 76

Canada

GARDENA Canada Ltd.
100 Summerlea Road
Brampton, Ontario L6T 4X3
Phone: (+1) 905 792 93 30
info@gardenacanada.com

Chile

Garden Chile S.A.
San Sebastián 2839
Ofic. 701 A
Las Condes - Santiago de Chile
Phone: (+56) 2 20 10 708
garfar_cl@yahoo.com

Costa Rica

Compania Exim
Euroiberoamericana S.A.
Apto Postal 1260
San José
Phone: (+506) 223 20 75
exim_euro@racsa.co.cr

Croatia

SILK ADRIA d.o.o.
Josipa Lončara 3
10090 Zagreb
Phone: (+385) 1 3794 580
silk.adria@zg.t-com.hr

Cyprus

FARMOKIPIKI LTD
P.O. Box 7098
74, Digeni Akrotia Ave.
1641 Nicosia
Phone: (+357) 22 75 47 62
condam@spidernet.com.cy

Czech Republic

GARDENA spol. s.r.o.
Tuřanka 115
CZ-62700 Brno
Phone: (+420) 548 217 777
gardena@gardenabrn.cz

Denmark

GARDENA
Husqvarna Consumer Outdoor
Products
Salgsafdelning Danmark
Box 9003
200 39 Malmö
info@gardena.dk

Estonia

Husqvarna Eesti OÜ
Consumer Outdoor Products
Kesk tee 10, Aaviku küla
Rae vald, Harju maakond 75305
kontakt.etj@husqvarna.ee

Finland

Oy Husqvarna Ab
Consumer Outdoor Products
Lautatarhankatu 8 B / PL 3
00581 HELSINKI
info@gardena.fi

France

Husqvarna France S.A.S.
9 – 11 allée des Pierres Mayettes
ZAC des Barbanniers
B.P. 99
92232 Gennevilliers cedex
Phone: (+33) 01 40 85 30 40
service.consommateurs@gardena.fr

Great Britain

Husqvarna UK Ltd
Preston Road
Aycliffe Industrial Park
Newton Aycliffe
Co Durham
DL5 6UP
info.gardena@husqvarna.co.uk

Greece

HUSQVARNA ΕΛΛΑΣ Α.Ε.Β.Ε.
Υπ/ια Ηφαίστου 33Α
Βι. Πε. Κορυπίου
19 400 Κορυπί Αττικής
Phone: (+30) 210 6620225 – 6
service@agrokpi.gr

Hungary

Husqvarna
Magyarország Kft.
Ezred u. 1 – 3
1044 Budapest
Phone: (+36) 80 20 40 33
gardena.gardena.hu

Iceland

Ö. Johnson & Kaaber
Tunguhalsi 1
110 Reykjavik
ooj@ojk.is

Ireland

McLoughlins RS
Unit 5
Northern Cross Business Park
North Road, Finglas
Dublin 11

Italy

GARDENA Italia S.p.A.
Via Santa Vecchia, 15
23868 Valmadrera (LC)
Phone: (+39) 0341.203.111
info@gardenaitalia.it

Japan

KAJUICHI co., Ltd.
Sumitomo Realty & Development
Kojimachi
BLDG., 8F
5 – 1 Nibanncyo, chiyoda-ku,
Tokyo 102-0084
Phone: (+81)-(0)3-3264-4721
m_ishihara@kaku-ichi.co.jp

Latvia

SIA „Husqvarna Latvija“
Consumer Outdoor Products
Bākūzu iela 6, Rīga, LV-1024
info@husqvarna.lv

Lithuania

UAB Husqvarna Lietuva
Consumer Outdoor Products
Ateities pl. 77C
LT-52104 Kaunas
centras@husqvarna.lt

Luxembourg

Magasins Jules Neuberg
39, rue Jacques Stas
Luxembourg-Gasperich 2549
Case Postale No. 12
Luxembourg 2010
Phone: (+352) - 40 14 01
api@neuberg.lu

Netherlands

GARDENA Nederland B.V.
Postbus 50176
1305 AD ALMERE
Phone: (+31) 36 521 00 00
info@gardena.nl

Neth. Antilles

Jonka Tuincentrum
Sta. Rosa Weg 196
P.O. Box 8200
Curaçao
Phone: (+599) 9 767 66 55
pgm@jonka.com

New Zealand

Husqvarna New Zealand Ltd.
PO Box 76437
Manukau City 2241
Phone: 0064 9 19202410
sales.nz@husqvarna.co.nz

Norway

GARDENA
Husqvarna Consumer Outdoor
Products
Salgskontor Norge
Kleiverveien 6
1540 Vesby
info@gardena.no

Poland

HUSQVARNA Poland Spółka z o.o.
ul. Wysockiego 15 b
03-371 Warszawa
Oddział w Szymanowie
Szymanów 9 d
05-532 Baniocha

Portugal

Husqvarna Portugal SA
Sintra Business Park
Edifício 1 - Fracção O G
Abrunheira
2710-089 Sintra
info@gardena.pt

Romania

MADEX INTERNATIONAL SRL
Șoseaua Odăii 117 – 123
Sector 1, București,
RO 013603
Phone: (+40) 21 352-7603 / 4 / 5 / 6
madox@gardena.ro

Russia / Россия

000 «Husqvarna»
Leningradskaya street, vladenie 93
Khimki Business Park
Building 2, 4th floor
141400 Moscow Region, Khimki
Phone: +7 (495) 797 26 70

Singapore

HY-RAY PRIVATE LIMITED
40 Jalan Pemimpin
#02-08 Tat Ann Building
Singapore 577185
Phone: (+65) 6253 2277
shiying@hyray.com.sg

Serbia

DOMEL d.o.o.
Savski Nasip 7
11070 Novi Beograd
Serbia
Phone: (+381) 11 2772 204
miroslav.jejina@domel.co.yu

Slovenia

GARDENA d.o.o.
Brodišče 15
1236 Trzin
Phone: (+386) 1 580 93 32
servis@gardena.si

South Africa

GARDENA
South Africa (Pty.) Ltd.
P.O. Box 11534
Vorna Valley 1686
Phone: (+27) 11 315 02 23
sales@gardena.co.za

Spain

Husqvarna Espana S.A.
C/Basauri, nº 6
La Florida
28023 Madrid
Phone: (+34) 91 708 05 00
(4 líneas)
atencioncliente@gardena.es

Sweden

GARDENA
Husqvarna Consumer Outdoor
Products
Försäljningskontor Sverige
Box 9003
20039 Malmö
info@gardena.se

Switzerland / Schweiz

Husqvarna Schweiz AG
Consumer Products
Industriestrasse 10
5506 Mägenwil
Phone: +41 (0) 62 887 37 00
info@gardena.ch

Turkey

GARDENA Dost Diş Ticaret
Müessesilik A.Ş.
Sanayi Çad. Adil Sok. No. 1
34873 Kartal – Istanbul
Phone: (+90) 216 38 93 939
info@gardena-dost.com.tr

Ukraine / Україна

ТОВ «Уксварна Україна»
Васильківська, 34, 204-F
03022, Київ
Тел.: (+38 044) 498 39 02
info@gardena.ua

USA

GARDENA Canada Ltd.
100 Summerlea Road
Brampton, Ontario L6T 4X3
Phone: (+1) 905 792 93 30
info@gardenacanada.com

4066-20.960.05/1209
© GARDENA Manufacturing GmbH
D-69070 Ulm
http://www.gardena.com

Free Manuals Download Website

<http://myh66.com>

<http://usermanuals.us>

<http://www.somanuals.com>

<http://www.4manuals.cc>

<http://www.manual-lib.com>

<http://www.404manual.com>

<http://www.luxmanual.com>

<http://aubethermostatmanual.com>

Golf course search by state

<http://golfingnear.com>

Email search by domain

<http://emailbydomain.com>

Auto manuals search

<http://auto.somanuals.com>

TV manuals search

<http://tv.somanuals.com>