

GS 1500 Art. 2575

- D** **Gebrauchsanweisung**
Gartensauger mit Häcksel- und Blasfunktion
-
- GB** **Operating Instructions**
Garden Vac with shredding and blowing facility
-
- F** **Mode d'emploi**
Aspirateur-souffleur
-
- NL** **Gebruiksaanwijzing**
Tuinruimer met versnipper- en blaasfunctie
-
- SCAN** **Bruksanvisning**
Løvsuger /-blåser med løvkutter og blåsefunksjon
-
- I** **Istruzioni per l'uso**
Soffia & Aspira con tritafoglie
-
- E** **Manual de instrucciones**
Aspirador de jardín con funciones de triturar y expulsar
-
- P** **Instruções de utilização**
Aspirador de jardim com retalhador e sopro

D

Bitte lesen Sie diese Gebrauchsanweisung vor Montage und Inbetriebnahme Ihres Gerätes sorgfältig.

Beim Lesen der Gebrauchsanweisung bitte die Umschlagseiten herausklappen.

Inhaltsverzeichnis	Seite
1. Technische Daten	6
2. Hinweise zur Gebrauchsanweisung	6
3. Ordnungsgemäßer Gebrauch	6
4. Montage des Gartensaugers	6
5. Inbetriebnahme	7
6. Wartung, Pflege und Aufbewahrung	8
7. Hinweise zur ordnungsgemäßen Benutzung/Sicherheitshinweise	9
Garantie	42

GB

Please read these operating instructions carefully before assembling and using the Garden Vac.

Unfold inside cover pages to read the operating instructions.

Contents	Page
1. Technical data	12
2. Operating instructions information	12
3. Product use	12
4. Assembly	12
5. Using the product	13
6. Maintenance, service, storage	14
7. Advice for proper use / Safety instructions	14
Guarantee	42

F

Nous vous remercions de bien vouloir lire attentivement ce mode d'emploi avant le montage et l'utilisation de votre appareil.

En dépliant les volets de la couverture, vous aurez sous les yeux une série d'illustrations permettant une meilleure compréhension de ce mode d'emploi.

Contenu	Page
1. Caractéristiques techniques	16
2. Informations sur le mode d'emploi	16
3. Domaine d'utilisation	16
4. Montage de l'aspirateur souffleur	16
5. Utilisation	17
6. Entretien et rangement	18
7. Précautions d'emploi et conseils de sécurité	19
Garantie	42

NL

Lees deze gebruiksaanwijzing voor de montage en ingebruikname van het apparaat zorgvuldig door.

Bij het lezen van de gebruiksaanwijzing de omslagzijden openslaan.

Inhoudsopgave	Pagina
1. Technische gegevens	21
2. Aanwijzingen bij de gebruiksaanwijzingen	21
3. Juiste gebruik	21
4. Montage van de tuinruimer	21
5. Ingebruikname	22
6. Verzorging, onderhoud en opslag	23
7. Aanwijzingen voor het juiste gebruik, veiligheidstips	24
Garantie	42

SCAN

Les nøye gjennom denne bruksanvisningen før du monterer og bruker maskinen. Brett ut utbrett-siden når du leser bruksanvisningene.

Innholdsbeskrivelse	Sida
1. Tekniske data	26
2. Merknader om bruksanvisningene	26
3. Forskriftsmessig bruk	26
4. Montering av løvsuger/en-blåseren	26
5. Bruk	27
6. Vedlikehold, pleie og oppbevaring	28
7. Merknader om forskriftsmessig bruk, sikkerhetsinstruks	28
Garanti	43

I

Prima di montare e mettere in uso l'attrezzo, leggere attentamente le istruzioni tenendo aperto il pieghevole per avere sott'occhio i disegni esplicativi.

Indice	Pagina
1. Dati tecnici	30
2. Avvertenze	30
3. Uso corretto	30
4. Montaggio	30
5. Messa in uso	31
6. Manutenzione	32
7. Norme d'uso e di sicurezza	32
Garanzia	43

E

Rogamos una atenta lectura del presente manual antes del montaje y la puesta en servicio.

Para la lectura, desdoble la portada.

Contenido	Página
1. Datos técnicos	34
2. Indicaciones para el manual de instrucciones	34
3. Uso correcto	34
4. Montaje del aspirador	34
5. Puesta en servicio	35
6. Mantenimiento, limpieza y conservación	36
7. Indicaciones para un correcto uso / Indicaciones de seguridad	36
Garantía	43

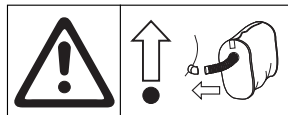
P

Leia atentamente estas instruções antes de montar ou utilizar este aspirador de jardim.

Para ler este manual de instruções, desdobre a capa.

Índice	Página
1. Dados técnicos	38
2. Informação sobre as instruções de operação	38
3. Utilização do produto	38
4. Montagem	38
5. Como operar com o produto	39
6. Manutenção, serviço, armazenamento	40
7. Conselhos para um uso correcto / Instruções de segurança	40
Garantia	43

Beachten Sie die Sicherheitshinweise auf dem Gerät:
 Please adhere to the following safety instructions:
 Veuillez observer les instructions de sécurité figurant sur l'appareil :
 Houdt u zich aan de veiligheidsvoorschriften op het apparaat:
 Følg de sikkerhetsinstruksjoner som står på maskinen:
 Attenzione ai simboli di sicurezza sull'attrezzo:
 Observen las indicaciones de seguridad en el aparato:
 Por favor siga atentamente as instruções de segurança fornecidas no aparelho:



Achtung! Im Modus Saugen darf der Gartensauger nie ohne Fangsack betrieben werden.
Attention! In vacuum mode never use the Garden Vac without catcher.

Attention! N'utilisez jamais l'aspirateur-souffleur en fonction aspirateur sans son sac de ramassage.
Let op! In de zuigtoestand mag de tuinruimer nooit zonder opvangzak gebruikt worden!

OBS! I sugestilling skal løvsuger/-blåser aldri benyttes uten oppsamlar.
Attenzione! Prima di usare l'attrezzo in modalità "aspira", montare sempre il sacco di raccolta.
¡Atención! En la modalidad de aspiración nunca utilizar el aparato sin el sacco-recogedor.
Atenção! No modo aspiração, não utilizar nunca a aspirador de jardim sem o respectivo saco.



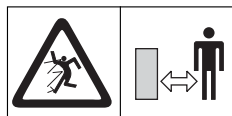
Achtung! Vor Inbetriebnahme Gebrauchs-anweisung lesen!
Warning! Read instruction handbook!
Attention! Merci de lire attentivement le mode d'emploi avant d'utiliser cet appareil!
Let op! Voor ingebruikname gebruiksaanwijzing doorlezen!

Advarsel! Les bruksanvisningen før maskinen tas i bruk!
Attenzione! Prima di mettere in funzione l'attrezzo, leggere attentamente le istruzioni per l'uso!
¡Atención! Antes de la puesta en marcha, lea el presente manual de instrucciones.
Atenção! Leia o Manual de instruções antes do uso!



Vor Regen und Nässe schützen!
 Do not use in rain or wet conditions!
Protégez l'appareil de la pluie et de l'humidité!
Niet aan vocht blootstellen!
Skal ikke utsettes for regn og fuktighet!

Non esporre l'attrezzo all'umidità o alla pioggia!
¡Proteja el aparato de la lluvia y la humedad!
Proteja o aparelho da chuva e da humidade!



Dritte aus dem Gefahrenbereich fernhalten!
Keep bystanders away!
Maintenez tout tiers hors de la zone de travail!
Zorg ervoor dat derden buiten de gevarezone blijven!

Hold uvedkommene personer på afstand fra faresonen!
Tenere lontano i terzi dalla zona di lavoro!
¡Mantenga a terceros fuera del área de trabajo!
Mantenha terceiros fora da área de perigo!



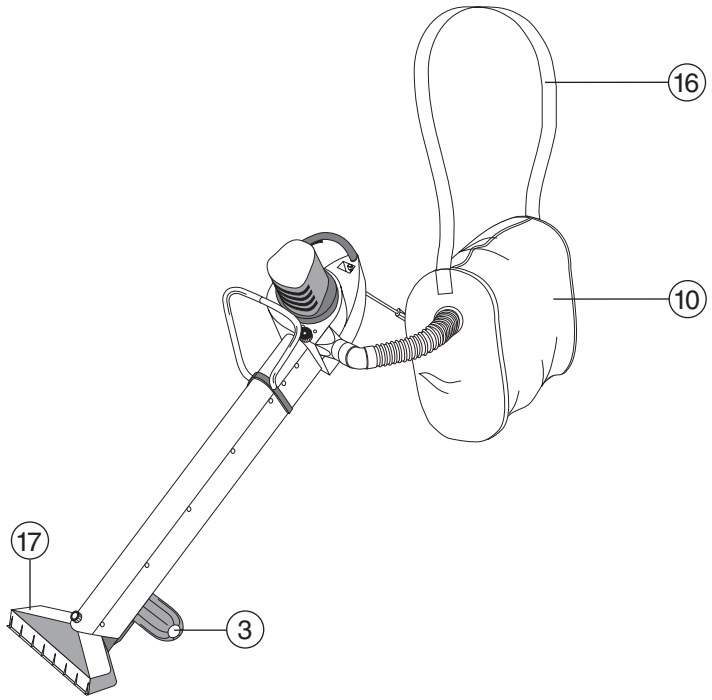
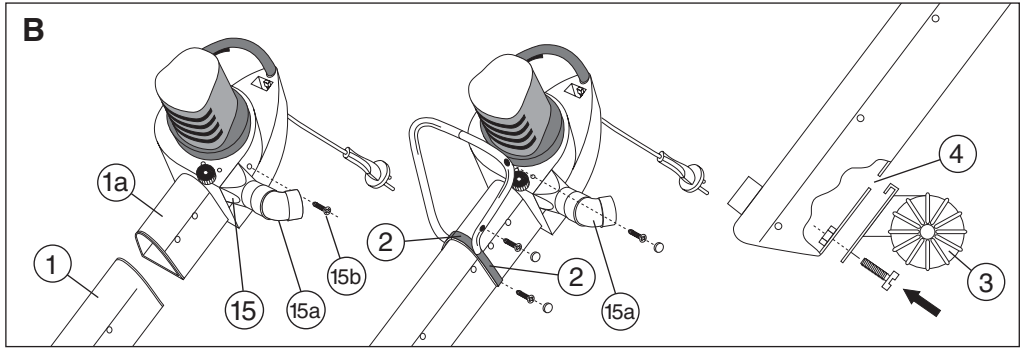
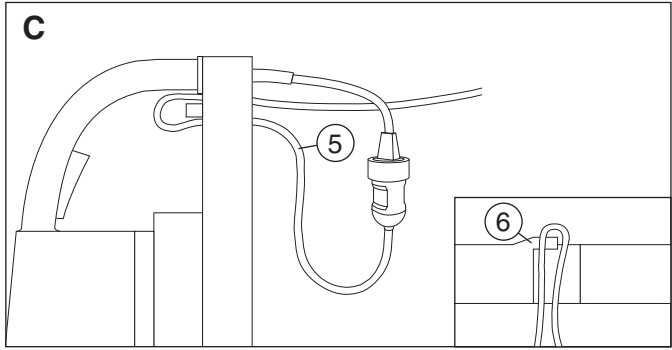
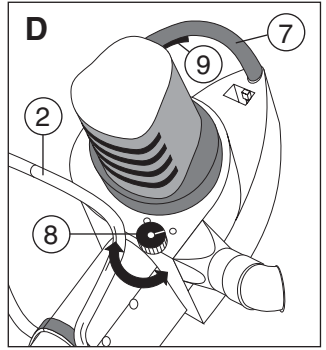
Bei Reinigungs-, Prüf- und Pflegearbeiten Netzstecker ziehen!
Before maintenance, disconnect the plug from the mains!
Lors du nettoyage, de la vérification et de l'entretien, débranchez l'appareil!
Voor alle werkzaamheden aan de tuinruimer, de stekker uit het stopcontact halen!

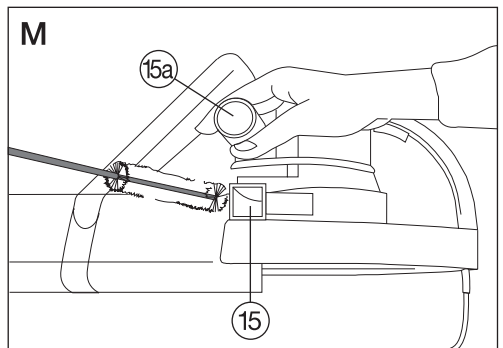
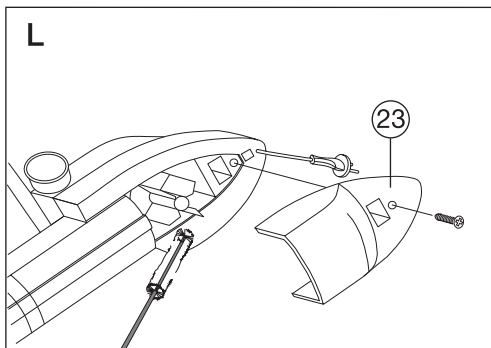
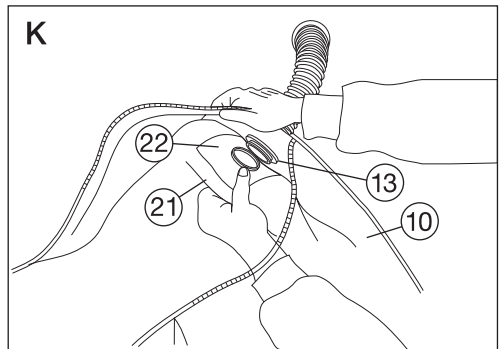
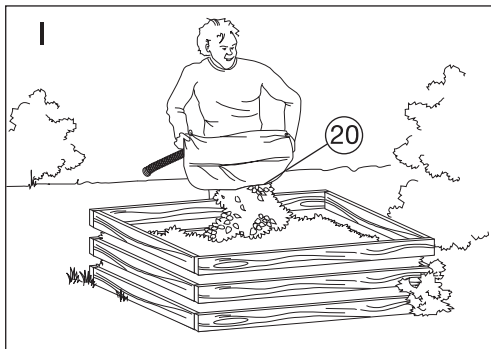
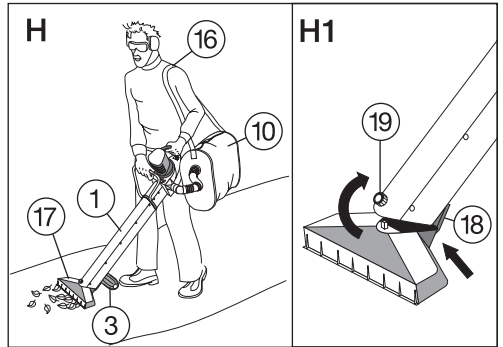
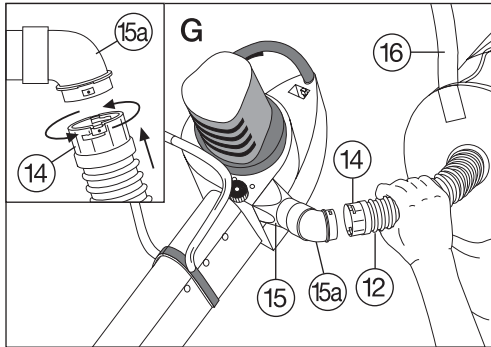
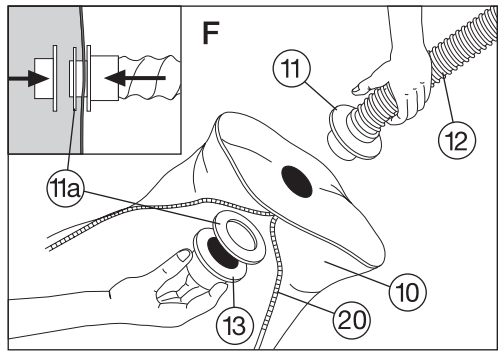
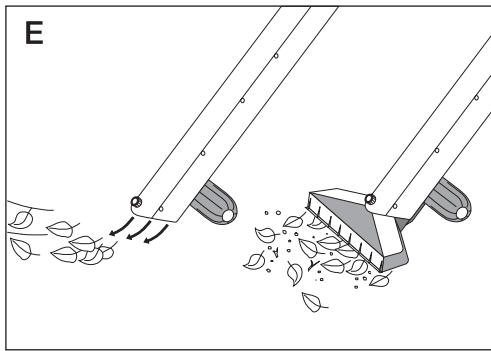
Trekk ut nettstøpslet når det skal utføres rengjørings-, kontroll- og tilsynsarbeider!
Prima di qualsiasi intervento di manutenzione, staccare la spina dalla corrente!
Para ejecutar trabajos de limpieza, control o de mantenimiento desenchufe el aparato.
Antes de qualquer operação de reparação desligue a ficha da tomada.



Augen- und Gehörschutz tragen!
Wear ear- and eye-protection!
Portez des lunettes de protection et protégez-vous du bruit!
Draag oog- en gehoorbescherming!

Bruk vernebriller og hørselsvern!
Indossare protezioni per occhi ed orecchie!
Mientras que utilice el aparato protéjese los ojos y el oído.
Use protecção para os ouvidos e olhos.

A**B****C****D**



GARDENA Garden Vac with shredding and blowing facility

1. Technical data

Motor – power consumption	1400 W (max. 1500 W)
Mains voltage	230 V
Frequency	50/60 Hz
Vacuum power	max. 12.5 m ³ /min.
Blow power	max. 260 km/h
Weight	approx. 4.5 kg
Contents of the catcher	70 l
Workplace related sound pressure level L_{pA} ¹⁾	92 dB(A)
Noise emission value L_{WA} ²⁾	measured 100 dB(A) / guaranteed 102 dB(A)
Hand/arm vibration a_{vhv} ¹⁾	< 2.5 ms ⁻²

Measuring method according to ¹⁾ EN 50144-1 ²⁾ directive 2000/14/EC

2. Operating instructions information

Please read and follow these operating instructions carefully. Familiarise yourself with the unit's features, its proper use and the safety instructions included.



For safety reasons children under the age of 16 or people who are not familiar with these operating instructions

should not use this Garden Vac.

Please keep these operating instructions in a safe place.

3. Product use

The GARDENA Garden Vac is designed for vacuuming and blowing leaves and dirt as well as for vacuum cleaning together with the dust filter in private gardens.

This Garden Vac is not designed for use in public facilities, parks,

sporting grounds, on roads, in agriculture or forestry.

It is essential to observe the manufacturer's operating instructions to ensure the unit's proper functioning. These instructions also contain advice for service, maintenance and repair.



Attention! For health and safety reasons the Garden Vac must not be used in areas with health-endangering dusts or for vacuuming wet materials.

4. Assembly (ill. B)

Contents check

The carton contains the following items:

- motor part of the Garden Vac
- vacuum tube
- connection angle
- tube runner
- surface vacuum tube
- catcher
- vacuum hose
- additional handle (two handle halves)
- 1 dust filter
- fixing parts (screws, nuts, caps)

- operating instructions
- counter ring

Fitting the vacuum tube

Before starting work, fit the vacuum tube (1) provided onto the vacuum tube connector of the unit (1a). Now slide the two handle halves of the additional handle (2) over the junction point of the vacuum tube (1) and vacuum tube connector (1a). Take care that the angled additional handle (2) faces towards the motor casing.

Secure the additional handle (2), using the three screws provided. Cover the bore holes with the caps.

Attention!

For safety reasons you should not disassemble the vacuum tube once assembled!

Fitting the tube runner

Lock the tube runner (3) provided by inserting it into the recess (4) of the vacuum tube (1). Secure it with the screw and nut provided.

Fitting the connection angle

Fit the connection angle (15a) onto the blow-off connecting piece (15) of the casing until it snaps in.

Attention!

For safety reasons the Garden Vac must not be operated without connection angle.

5. Using the product (ill. C-K)**5.1 Connecting the Garden Vac – cable lock / extension cable (ill. C)**

Loop the extension cable (5) and insert it into the cable lock (6). This prevents unintentional separation of the electrical connection. Then connect it to the mains cable.

5.2 Blow mode (ill. D/E)

With one hand hold the handle (7), with the other hand hold the additional handle (2). Select the blowing symbol (➡) on the control knob for mode selection (8). Push down and rotate the control knob. Ensure that it locks into the blow mode position.

To ensure best results in the blow mode, move the Garden Vac at a distance of 5 - 10 cm (2 - 4 in.) between vacuum tube and ground.

In the blow mode it is not necessary to mount the catcher. Start the Garden Vac by squeezing the trigger (9) located inside the handle (7). Release the trigger (9) to stop the Garden Vac.

5.3 Vacuum mode (ill. D-I)**Fitting the catcher (ill. F/G)**

To work in the vacuum mode, firstly fit the catcher (10). Insert the connecting piece (11) of the vacuum hose (12) from the outside into the round opening of the catcher (10). Then push the cellular ring (11a) onto the connecting piece (11) inside the catcher (ill. F). Push the counter ring (13) provided (with the broad collar first) from the inside of the catcher (10) onto the connecting piece (11) of the vacuum hose.

Listen for an audible snap-in!

To connect the connecting sleeve (14) with the connecting angle (15a), push the marking point of the connecting sleeve over the marking point of the connecting angle **until it stops**. Then turn the connecting sleeve of the hose until it snaps in.

To remove it again, turn the hose anti-clockwise and pull off the hose.

Hang the catcher with the shoulder strap (16) on the left part of your body. Adjust the shoulder strap to comfortable length. Ensure the catcher to be carried at around waist level.

Using the Garden Vac (ill. D/H)

Select the vacuum symbol (◀) on the control knob for mode selection (8). Push down and rotate the control knob. Ensure that it locks into the vacuum mode position.

The tube runner (3) at the base of the vacuum tube (1) allows easy guidance of the vacuum tube (1) on the ground.

The surface vacuum tube (17) makes vacuuming of leaves and dirt on larger areas possible.

The surface vacuum tube (17) is equipped with a roller at the bottom too, so that the Garden Vac can be e.g. easily moved over flagstones.

Fitting the surface vacuum tube (ill. H 1)

Attach the connector for the surface vacuum tube (18) to the vacuum tube (1). Secure the surface vacuum tube (17) with the orange locking screw (19).

Start the Garden Vac by squeezing the trigger (9) located inside the handle (7). Release the trigger (9) to stop the Garden Vac.

Emptying the catcher (ill. G/I)

If the vacuum power decreases, empty the catcher (10). Remove the vacuum hose (12) from the unit's connection angle (15a) and unzip (20) the upper part of the catcher. Thus the catcher (10) can be easily emptied.

Note: Do not dispose compostable material together with your household rubbish.

5.4 Vacuum cleaning (ill. K)

For using the Garden Vac as a vacuum cleaner, please fit the dust filter (21) provided. Unzip (20) the catcher (10) and insert the dust filter (21). Push the cardboard collar (22) onto the counter ring (13) inside the catcher (10).

Note: Insert the dust filter only in a dry catcher!


Zip up the catcher (10). Then connect the vacuum hose (12) to the connection angle (15a) (see point 5.3).

To use of the surface vacuum tube, follow the instructions given under point 5.3.

If the vacuum power decreases, empty or replace the dust filter (21), if necessary (see point 5.3, "Emptying the catcher"). Remove the dust filter (21).

⚠ When using the Garden Vac together with the dust filter, pick up only fine and dry materials.

Make sure that the dust filter does not get damaged.

 The safety devices installed onto the unit by the manufacturer must not

be removed or bypassed, e.g. by tying the trigger down to the handle. Otherwise you may

run the risk of serious injury as the unit will not stop automatically.

6. Maintenance, service, storage

6.1 Cleaning

Ensure regular cleaning of the Garden Vac!

To clean the vacuum tube (1), we recommend the use of a bottle brush, or similar.

Clean the casing of the Garden Vac with a soft dry cloth. **Never clean it under running water.**

Brush the catcher (10) of the Garden Vac after use.

6.2 Blockage (ill. L/M)

Deposits of leaves and fresh plant clippings may block up the Garden Vac. The Garden Vac may become blocked due to a bulky object picked up.

In this case the Garden Vac shuts off automatically.

To clear clogging or blockage, proceed as follows:

1. **Disconnect the mains plug!**
2. Unscrew the maintenance cover (23) and remove it.
3. Clean the vacuum chamber with a bottle brush, or similar.
4. If the Garden Vac becomes blocked within the blow-off


connecting piece (15), unscrew it using screw (15b) and clear the blockage.

6.3 Replacement dust filter

Please use only genuine GARDENA Dust Filters, Art. No. 5375 (each packaging includes two items).

Dust filters can be purchased from your GARDENA dealer or directly from the GARDENA Customer Service.

Never use spare parts or accessories which are not authorised by the manufacturer.

 **Attention! Always disconnect the mains plug before working on the Garden Vac (checking, cleaning, maintenance). Risk of injury!**

To avoid injury to persons and material damage: Never clean the Garden Vac with running water, in particular with water under high pressure.

Store the Garden Vac in a dry place where it is protected from frost.

The Garden Vac should be stored out of the reach of children.

If you have any problem with your Garden Vac, please contact our Customer Service or return the defective unit together with a short description of the problem and, if covered under guarantee, with a copy of the receipt, directly to one of the GARDENA Service Centres listed on the back of this leaflet.

We expressly point out that, in accordance with the product liability law, we are not liable for any damage caused by our units if it is due to improper repair or if parts exchanged are not original GARDENA parts or parts approved by us, and, if the repairs were not carried out by a GARDENA Service Centre or an authorised specialist. The same applies to spare parts and accessories.

Disposal:

(in accordance with EU-directive 2002/96/EC)



The equipment may not be disposed of as normal household refuse but must be disposed of in the technically correct manner.

7. Advice for proper use / Safety instructions

 **Inspect the unit before each use**

Do not use the unit, if safety devices (trigger; safety cover) are damaged or worn. Never bypass safety devices.

Make sure that there are no other people (especially children) or animals within/near the working area.

Inspect materials to be picked up before starting work.

Look out for foreign objects (e.g. stones) during work (blow mode).

Check the power cable regularly for damage and signs of wear and tear.

 **Use/Responsibility**

You are responsible for the safety in the working area.

Only use the Garden Vac for purposes specified in these operating instructions.

Take the precaution of wearing eye- and ear protection. Wear sturdy shoes and long trousers to protect your legs.

Keep fingers and feet away from the opening of the vacuum tube!

Ensure that you have secure foothold whilst working.


Attention! Take extra care when walking backwards. You may stumble.

Check the catcher regularly for damages and replace it properly, if necessary.



Interrupting work

Never leave the Garden Vac unattended in the working place. If you interrupt your work, store the Garden Vac in a safe place. Disconnect the mains plug!

If you interrupt work to get to another working area always switch off the Garden Vac during transport.  Environmental protection

Observe the local rest periods.

Never use the Garden Vac when it rains or in damp/wet areas.

Do not operate the Garden Vac in or near swimming pools as well as garden ponds.



Electrical safety

The Garden Vac must only be operated with undamaged power cable. If the power-/extension cable is damaged or cut, disconnect the mains plug immediately.

The socket of an extension cable should be waterproof.

Only use permitted extension cables. (For outdoor use: H07 RN-F; 3 - 1.5 mm² extension cable.) Ask your electrician.

For portable equipment used outdoors, we recommend the use of a residual-current device having a residual-current rating ≤ 30 mA.

In Switzerland use of a residual-current device is obligatory.

EU Certificate of Conformity

The undersigned

GARDENA Manufacturing GmbH · Hans-Lorenser-Str. 40 · D-89079 Ulm

hereby certifies that, when leaving our factory, the unit indicated below is in accordance with the harmonised EU guidelines, EU standards of safety and product specific standards.

This certificate becomes void if the unit is modified without our approval.

Description of the unit:

Garden Vac

Type: GS 1500

Art. No.: 2575

EU directives:

Machinery Directive 98/37/EC
Electromagnetic Compatibility
89/336/EC

Low Voltage Directive 73/23/EC
Directive 93/68/EC
Directive 2000/14/EC

Harmonised

European standards:

EN 292-1
EN 292-2
EN 60335-1
EN 60335-2-2

Noise level:

measured 100 dB (A)
guaranteed 102 dB (A)

Year of CE marking:

1996

Ulm, 12.09.2002

Thomas Heini
Technical Dept. Manager

D

Garantie

GARDENA gewährt für dieses Produkt 2 Jahre Garantie (ab Kaufdatum). Diese Garantieleistung bezieht sich auf alle wesentlichen Mängel des Gerätes, die nachweislich auf Material- oder Fabrikationsfehler zurückzuführen sind. Sie erfolgt durch die Ersatzlieferung eines einwandfreien Gerätes oder durch die kostenlose Reparatur des eingesandten Gerätes nach unserer Wahl, wenn folgende Voraussetzungen gewährleistet sind:

- Das Gerät wurde sachgemäß und laut den Empfehlungen in der Gebrauchsanweisung behandelt.
- Es wurde weder vom Käufer noch von einem Dritten versucht, das Gerät zu reparieren.

Die Verschleißteile Staubfilter und Häckselrad sind von der Garantie ausgeschlossen.

Diese Hersteller-Garantie berührt die gegenüber dem Händler/Verkäufer bestehenden Gewährleistungsansprüche nicht.

Im Servicefall schicken Sie bitte das defekte Gerät zusammen mit einer Kopie des Kaufbelegs und einer Fehlerbeschreibung frankiert an die auf der Rückseite angegebene Serviceadresse.

GB

Guarantee

GARDENA guarantees this product for 2 years (from date of purchase). This guarantee covers all serious defects of the unit that can be proved to be material or manufacturing faults. Under warranty we will either replace the unit or repair it free of charge if the following conditions apply:

- The unit must have been handled properly and in keeping with the requirements of the operating instructions.

- Neither the purchaser or a non-authorised third party have attempted to repair the unit.

The dust filter and shredding wheel are wearing parts and are not covered by the guarantee.

This manufacturer's guarantee does not affect the user's existing warranty claims against the dealer/seller.

In case of claim, please return the faulty unit together with a copy of the receipt and a description of the fault, with postage paid to one of the GARDENA Service Centres listed on the back of these operating instructions.

F

Garantie

GARDENA accorde pour cet appareil une garantie contractuelle de 2 ans à compter du jour de l'achat. Elle est assurée par le remplacement gratuit des pièces défectueuses ou de l'appareil. Le choix en étant laissé à la libre initiative de GARDENA. En tout état de cause s'applique la garantie légale couvrant toutes les conséquences des défauts ou vices cachés (article 1641 et suivants du Code Civil).

Pour que ces garanties soient valables, les conditions suivantes doivent être remplies :

- L'appareil a été manipulé de manière adéquate, suivant les instructions du mode d'emploi.
- Il n'y a eu aucun essai de réparation, ni par le client, ni par un tiers.

Le filtre-papier et la turbine broyeur, qui sont des pièces d'usure, sont exclus de la garantie.

Une intervention sous garantie ne prolonge pas la durée initiale de la garantie contractuelle.

Toutes les revendications dépassant le contenu de ce texte ne sont pas couvertes par la

garantie, quel que soit le motif de droit.

Pendant la période de garantie, le Service Après-Vente et les Centres SAV agréés effectueront, à titre payant, les réparations nécessaires par suite de manipulations erronées.

En cas de réclamation, veuillez envoyer le produit en port payé avec le bon d'achat et une description du problème, à l'adresse du Service Après-Vente figurant au verso.

NL

Garantie

GARDENA geeft op dit product 2 jaar garantie (vanaf de aankoopdatum). Deze garantie heeft betrekking op alle wezenlijke defecten aan het toestel, die aanwijsbaar op materiaal- of fabricagefouten berusten. Garantie vindt plaats door de levering van een vervangend apparaat of door de gratis reparatie van het ingestuurde apparaat, naar onze keuze, indien aan de volgende voorwaarden is voldaan:

- Het apparaat werd vakkundig en volgens de adviezen in de gebruiksaanwijzing behandeld.
- Noch de koper, noch een derde persoon heeft getracht het apparaat te repareren.

De aan slijtage onderhevige onderdelen stoffilter en hakselaarwiel vallen niet onder de garantie.

Deze garantie van de producent heeft geen betrekking op de ten aanzien van de handelaar/verkoper bestaande aansprakelijkheid.

In geval van reclamatie het defecte apparaat samen met de kassabon en een beschrijving van de storing gefrankeerd op naar het op de achterzijde aangegeven serviceadres opsturen.

Deutschland / Germany

GARDENA
Manufacturing GmbH
Service Center
Hans-Lorenser-Straße 40
D-89079 Ulm
Produktfragen:
(+49) 731 490- 123
Reparaturen:
(+49) 731 490-290
service@gardena.com

Argentina

Argensem® S.A.
Calle Colonia Japonesa s/n
(1625) Loma Verde
Escobar, Buenos Aires
Phone: (+54) 34 88 49 40 40
info@argensem.com.ar

Australia

Nylex Consumer Products
50-70 Stanley Drive
Somerton, Victoria, 3062
Phone: (+61) 1800 658 276
spare.parts@nylex.com.au

Austria / Österreich

GARDENA
Österreich Ges.m.b.H.
Stettnerweg 11-15
2100 Korneuburg
Tel.: (+43) 22 62 7 45 45 36
kundendienst@gardena.at

Belgium

GARDENA Belgium NV/SA
Sterrebeekstraat 163
1930 Zaventem
Phone: (+32) 2 720 92 12
Mail: info@gardena.be

Brazil

Palash Comércio e
Importação Ltda.
Rua Américo Brasiliense,
2414 - Chácara Sto Antonio
São Paulo - SP - Brasil -
CEP 04715-005
Phone: (+55) 11 5181-0909
eduardo@palash.com.br

Bulgaria

DENEX LTD.
2 Luis Ahalier Str. - 7th floor
Sofia 1404
Phone: (+359) 2 958 18 21
office@denex-bg.com

Canada

GARDENA Canada Ltd.
100 Summerlea Road
Brampton, Ontario L6T 4X3
Phone: (+1) 905 792 93 30
info@gardenacanada.com

Chile

Antonio Martinic y Cia Ltda.
Cassillas 272
Centro de Cassillas
Santiago de Chile
Phone: (+56) 2 20 10 708
garfar_ci@yahoo.com

Costa Rica

Compania Exim
Euroiberoamericana S.A.
Los Colegios, Moravia,
200 metros al Sur del Colegio
Saint Francis - San José
Phone: (+506) 297 68 83
exim_euro@racsa.co.cr

Croatia

KLIS d.o.o.
Stancecova 79
10419 Vukovina
Phone: (+385) 1 622 777 0
gardena@klis-irgovina.hr

Cyprus

FARMOKIPIKI LTD
P.O. Box 7098
74, Digeni Akritia Ave.
1641 Nicosia
Phone: (+357) 22 75 47 62
condam@spidernet.com.cy

Czech Republic

GARDENA spol. s r.o.
Řípská 20 a, č.p. 1153
627 00 Brno
Phone: (+420) 800 100 425
gardena@gardenabrnno.cz

Denmark

GARDENA Norden AB
Salgsafdeling Danmark
Box 9003
S-200 39 Malmö
info@gardena.dk

Finland

Habitec Oy
Martinkyläntie 52
01720 Vantaa

France

GARDENA
PARIS NORD 2
69, rue de la Belle Etoile
BP 57080
ROISSY EN FRANCE
95948 ROISSY CDG CEDEX
Tél. (+33) 0826 101 455
service.consommateurs@
gardena.fr

Great Britain

GARDENA UK Ltd.
27-28 Brenkley Way
Bleazard Business Park
Seaton Burn
Newcastle upon Tyne
NE13 6DS
info@gardena.co.uk

Greece

Agrokop
G. Psomadopoulos & Co.
33 A, Ilestou str. –
Industrial Area
194 00 Koropi, Athens
Phone: (+30) 210 66 20 225
service@agrokop.gr
www.agrokop.gr

Hungary

GARDENA
Magyarország Kft.
Késmárk utca 22
1158 Budapest
Phone: (+36) 80 20 40 33
gardena@gardena.hu

Iceland

Ö. Johnson & Kaaber
Tunguhalsi 1
110 Reykjavik
ooj@ojk.is

Ireland

Michael McLoughlin & Sons
Hardware Limited
Long Mile Road
Dublin 12

Italy

GARDENA Italia S.p.A.
Via Donizetti 22
20020 Lainate (Mi)
Phone: (+39) 02.93.94.79.1
info@gardenaitalia.it

Japan

KAKUICHI Co. Ltd.
Sumitomo Realty &
Development Kojimachi
BLDG., 8F
5-1 Nibanncyo, Chiyoda-ku
Tokyo 102-0084
Phone: (+81) 33 264 4721
m_ishihara@kaku-ichi.co.jp

Luxembourg

Magasins Jules Neuberg
Grand Rue 30
Boîte postale 12
L-2010 Luxembourg
Phone: (+352) 40 14 01
info@neuberg.lu

Netherlands

GARDENA Nederland B.V.
Postbus 50176
1305 AD ALMERE
Phone: (+31) 36 521 00 00
info@gardena.nl

Neth. Antilles

Jonka Enterprises N.V.
Sta. Rosa Weg 196
P.O. Box 8200
Curaçao
Phone: (+599) 9 767 66 55
pgm@jonka.com

New Zealand

NYLEX New Zealand Limited
Building 2, 118 Savill Drive
Mangere, Auckland
Phone: (+64) 9 270 1806
lena.chapman@nylex.com.au

Norway

GARDENA Norden AB
Salgskontor Norge
Karihaugveien 89
1086 Oslo
info@gardena.no

Poland

GARDENA Polska Sp. z o.o.
Szymanów 9 d
05-532 Baniocza
Phone: (+48) 22 727 56 90
gardena@gardena.pl

Portugal

GARDENA Portugal Lda.
Recta da Granja do Marquês
Edif. GARDENA Algueirão
2725-596 Mem Martins
Phone: (+351) 21 922 85 30
info@gardena.pt

Romania

MADEX INTERNATIONAL SRL
Soseaua Odaii 117-123,
Sector 1,
București, RO 013603
Phone: (+40) 21 352 76 03
madex@ines.ro

Russia / Россия

АО АМИДА ТТЦ
ул. Мосфильмовская 66
117330 Москва
Phone: (+7) 095 956 99 00
amida@col.ru

Singapore

Hy - Ray PRIVATE LIMITED
40 Jalan Pemimpin
#02-08 Tat Ann Building
Singapore 577185
Phone: (+65) 6253 2277
hyray@singnet.com.sg

Slovak Republic

GARDENA Slovensko, s.r.o.
Panónska cesta 17
851 04 Bratislava
Phone: (+421) 263 453 722
info@gardena.sk

Slovenia

Silk d.o.o.
Brodšiče 15
1236 Trzin
Phone: (+386) 1 580 93 00
gardena@silk.si

South Africa

GARDENA
South Africa (Pty.) Ltd.
P.O. Box 11534
Vorna Valley 1686
Phone: (+27) 11 315 02 23
sales@gardena.co.za

Spain

GARDENA IBERICA S.L.U.
C/ Basauri, nº 6
La Florida
28023 Madrid
Phone: (+34) 91 708 05 00
atencioncliente@gardena.es

Sweden

GARDENA Norden AB
Försäljningskontor Sverige
Box 9003
200 39 Malmö
info@gardena.se

Switzerland / Schweiz

GARDENA (Schweiz) AG
Bitzberg 1
8184 Bachenbülach
Phone: (+41) 848 800 464
info@gardena.ch

Turkey

GARDENA / Dost Diş Ticaret
Müessesilik A.Ş. Sanayi
Çad. Adil Sokak No. 1
Kartal - İstanbul
Phone: (+90) 216 38 93 939
info@gardena-dost.com.tr

Ukraine / Украина

ALTEST JSC
4 Petropavlivska Street
Petropavlivska
Borschahivka Town
Kyivo Svyatoslyn Region
08130, Ukraine
Phone: (+380) 44 459 57 03
upyr@altsest.kiev.ua

USA

Melnor Inc.
3085 Shawnee Drive
Winchester, VA 22604
Phone: (+1) 540 722-9080
service_us@melnor.com

2575-20.960.07/0606

© GARDENA
Manufacturing GmbH
D-89070 Ulm
http://www.gardena.com

Free Manuals Download Website

<http://myh66.com>

<http://usermanuals.us>

<http://www.somanuals.com>

<http://www.4manuals.cc>

<http://www.manual-lib.com>

<http://www.404manual.com>

<http://www.luxmanual.com>

<http://aubethermostatmanual.com>

Golf course search by state

<http://golfingnear.com>

Email search by domain

<http://emailbydomain.com>

Auto manuals search

<http://auto.somanuals.com>

TV manuals search

<http://tv.somanuals.com>