

Use and Care of Recirculation Hood Model JN327 and Ventilating Hood Models JV327, JV337 & JV347

IMPORTANT SAFETY INFORMATION

READ ALL INSTRUCTIONS BEFORE USING.

WARNING—TO REDUCE THE RISK OF FIRE, ELECTRIC SHOCK OR INJURY TO PERSONS, OBSERVE THE FOLLOWING:

- A. Use this unit only in the manner intended by the manufacturer. If you have any questions, contact the manufacturer.
- B. Before servicing or cleaning unit, switch power off at service panel and lock the service disconnecting means to prevent power from being switched on accidentally. When the service disconnecting means cannot be locked, securely fasten a prominent warning device, such as a tag, to the service panel.

CAUTION—For general ventilating use only. Do not use to exhaust hazardous or explosive materials and vapors.

When you get your new hood...

- Have it installed and properly grounded by a qualified technician in accordance with the installation instructions.
- Have the installer show you the location of the hood circuit breaker or fuse and mark it for easy reference.
- Take the time to read our suggestions for best use.

WARNING—TO REDUCE THE RISK OF FIRE, ELECTRIC SHOCK OR INJURY TO PERSONS, OBSERVE THE FOLLOWING:

- A. Installation work and electrical wiring must be done by qualified person(s) in accordance with all applicable codes and standards, including fire-rated construction.

- B. Sufficient air is needed for proper combustion and exhausting of gases through the flue (chimney) of fuel burning equipment to prevent back drafting. Follow the heating equipment manufacturer's guidelines and safety standards such as those published by the National Fire Protection Association (NFPA), and the American Society for Heating, Refrigeration and Air Conditioning Engineers (ASHRAE), and the local code authorities.

- C. When cutting or drilling into wall or ceiling, do not damage electrical wiring and other hidden utilities.

- D. Ducted fans must always be vented to the outdoors.

WARNING—To reduce the risk of fire, use only metal ductwork.

When using your hood...

- Never leave surface units unattended at high settings. Boilover causes smoking and greasy spillovers that may ignite and spread if hood is used. Use surface unit heat settings recommended by the manufacturer and adequate-size utensils.
- Never use your cooking appliance for warming or heating the room. The electrical wiring of your range hood may not withstand the resulting excessive heat.
- Keep the hood clean and clean grease filter or replace charcoal filter as recommended to maintain good venting and to avoid grease fires.

WARNING—TO REDUCE THE RISK OF A RANGE TOP GREASE FIRE:

- A. Never leave surface units unattended at high settings. Boilovers cause smoking and greasy spillovers that may ignite. Heat oils slowly on low or medium settings.
- B. Always turn hood ON when cooking at high heat or when cooking flaming foods.
- C. Clean ventilating fans frequently. Grease should not be allowed to accumulate on fan or filter.
- D. Use proper pan size. Always use cookware appropriate for the size of the surface element.

(continued next page)

IMPORTANT SAFETY INSTRUCTIONS (continued)

WARNING—TO REDUCE THE RISK OF INJURY TO PERSONS IN THE EVENT OF A RANGE TOP GREASE FIRE, OBSERVE THE FOLLOWING:*

- A. SMOTHER FLAMES** with a close-fitting lid, cookie sheet, or metal tray, then turn off the burner. **BE CAREFUL TO PREVENT BURNS.** If the flames do not go out immediately, **EVACUATE AND CALL THE FIRE DEPARTMENT.**
- B. NEVER PICK UP A FLAMING PAN—** You may be burned.
- C. DO NOT USE WATER,** including wet dishcloths or towels—a violent steam explosion will result.
- D. Use an extinguisher ONLY if:**
1. You know you have a Class ABC extinguisher, and you already know how to operate it.
 2. The fire is small and contained in the area where it started.
 3. The fire department is being called.
 4. You can fight the fire with your back to an exit.

*Based on "Kitchen Firesafety Tips" published by NFPA.

WARNING: The electrical wiring and fan motor in this range hood are not intended for use with, or provided with, a solid state speed control. Any such alteration from original factory wiring concept could result in damage to the unit and/or create an electrical safety hazard.

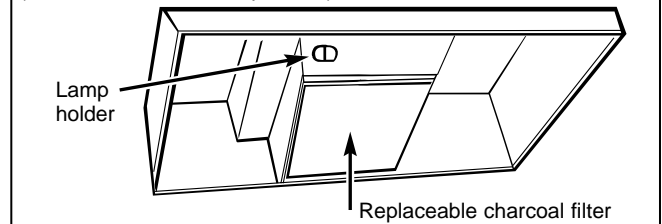
READ AND SAVE THESE INSTRUCTIONS

If You Need Service...

- **Do not attempt to repair or replace any part of your hood unless it is specifically recommended in this book.** All other servicing should be referred to a qualified technician.
- **Disconnect hood circuit breaker or fuse before performing any service.**

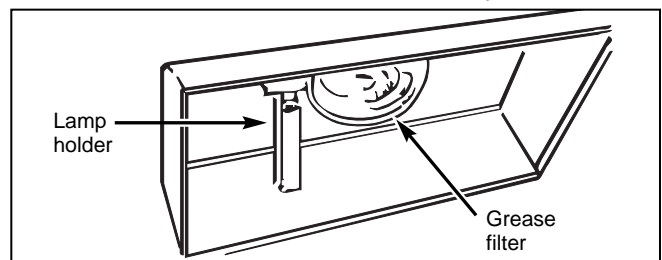
Models: JN327 & JV347—non-ducted installations only

(Model JV347 has a lamp cover.)



Your hood is equipped with a replaceable charcoal filter. When the fan is operated, air is drawn through the filter and discharged into the room through the hood.

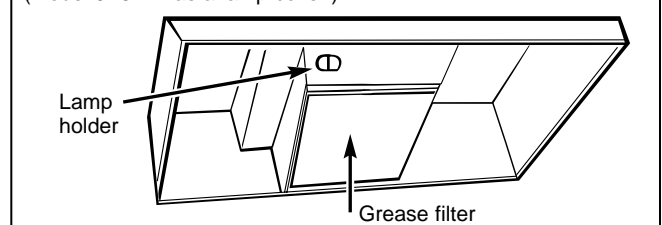
Model: JV327—ducted installations only



Your hood is equipped with a metal grease filter. When the fan is operated, air is drawn through the filter and discharged to the outside.

Models: JV337 & JV347—ducted installations only

(Model JV347 has a lamp cover.)

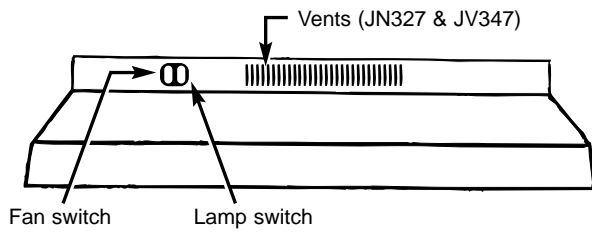


Your hood is equipped with a reusable metal grease filter. When the fan is operated, air is drawn through the filter and discharged to the outside.

CAUTION—before operating the hood:

- **Install the lamp bulb (not provided).** See the Lamp Replacement instructions.

To Operate



Lamp Switch Models: JN327, JV327, JV337

Press for OFF and ON.

Lamp Switch Model: JV347

Rotate clockwise, first position for NIGHT LIGHT, second position for BRIGHT LIGHT.

Fan Switch

Models: JN327, JV327, JV337

CENTER position OFF, DOWN position LOW SPEED, TOP position HIGH SPEED.

Model: JV347

Rotate Clockwise, FIRST position HIGH, SECOND position MEDIUM, THIRD position LOW.

Care and Cleaning

Replaceable Charcoal Filter—Used in non-ducted installations only.

Models: JN327, JV347—non-ducted installations only

The charcoal filter cannot be cleaned. It must be replaced.

DO NOT RINSE OR PLACE THE CHARCOAL FILTER IN A DISHWASHER.

The efficiency of your hood depends upon a clean filter. The frequency of filter replacement depends on hood use and the type of cooking you do. See replacement guidelines below for your non-ducted model installation. NEVER OPERATE THE HOOD WITHOUT THE FILTER IN PLACE.

When to replace the filter:

JN327 and JV347 (non-ducted installations only)—The filter should be replaced after 6 to 12 months. Order and replace with genuine GE part: WB02X10700.

To remove: Pull down on the center of the front edge of the filter. The filter will then slip out of the retaining tabs on the back.

To replace: Slip the back edge of the filter into the retaining tabs and push the front edge up until it snaps in place.

Reusable Metal Grease Filter—Used in ducted installations only.

Models: JV327, JV337, JV347—ducted installations only

The efficiency of your hood depends on a clean filter. Frequency of cleaning depends on hood use and the type of cooking you do. **HOWEVER, THE GREASE FILTER SHOULD BE CLEANED AT LEAST ONCE A MONTH. NEVER OPERATE THE HOOD WITHOUT THE FILTER IN PLACE.**

To remove: Pull down on the center of the front edge of the filter. The filter will then slip out of the retaining tabs on the back.

To clean: Soak and then agitate it in a hot water and detergent solution. Light brushing can be used to remove embedded dirt. Rinse, shake and let it dry before replacing.

To replace: Slip the back edge of the filter into the retaining tabs and push the front edge up until it snaps into place.

With careful handling, the metal filter will last for years. If a new replacement becomes necessary, order the part from your dealer. Order genuine GE part: WB02X8391.

Hood

Clean grease laden surfaces of the hood frequently. Use warm detergent solution. About 1 tablespoon of ammonia may be added to the water. **TAKE CARE TO NOT COME IN CONTACT WITH FILTERS AND OTHER NON-ENAMELED SURFACES.** The hood shell can be washed, rinsed and dried with a soft cloth.

CAUTION: Be certain when cleaning the hood surfaces you do not touch the lamp bulb with moist hands or cloth. A warm or hot lamp bulb may break if touched with a moist surface. **ALWAYS** let lamp cool **COMPLETELY** before cleaning around it.

Motor and Fan

To Clean Motor and Fan

1. DISCONNECT THE HOOD POWER SUPPLY AT THE HOUSEHOLD DISTRIBUTION PANEL BY REMOVING THE FUSE OR SWITCHING OFF THE CIRCUIT BREAKER.
2. Remove the filter.
3. Wipe the fan blade and motor with cloth, dampened only in ammonia and warm water solution.
4. Replace the filter.
5. Reconnect the hood power supply.

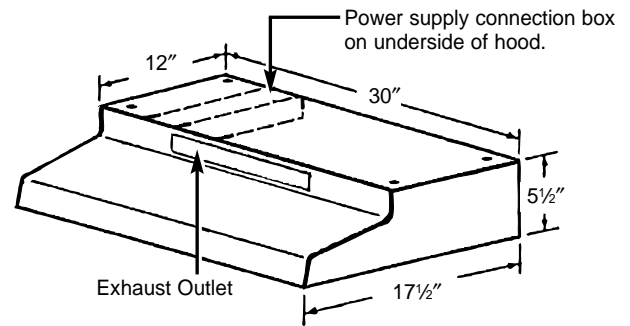
Installation Instructions for General Electric Hood

WARNING—TO REDUCE THE RISK OF FIRE, ELECTRIC SHOCK, OR INJURY TO PERSONS, OBSERVE THE FOLLOWING:

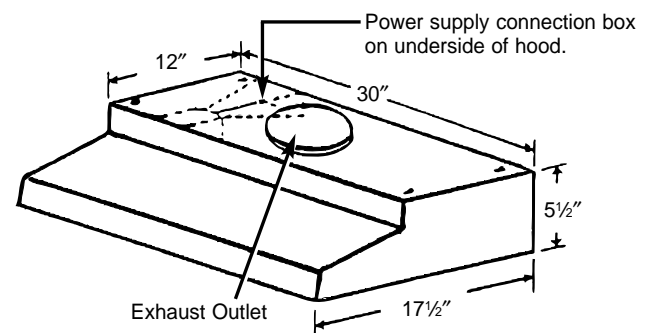
- A. Installation work and electrical wiring must be done by qualified persons(s) in accordance with all applicable codes and standards, including fire-rated construction.
- B. When cutting or drilling into wall or ceiling, do not damage electrical wiring and other hidden utilities.
- C. Ducted fans must always be vented to the outdoors.

WARNING—To reduce the risk of fire, use only metal ductwork.

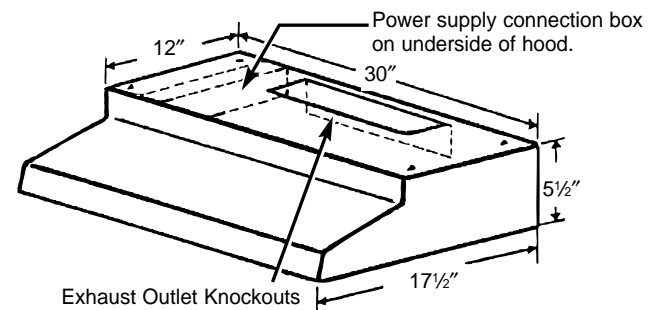
Important—Save for the local electrical inspector's use.



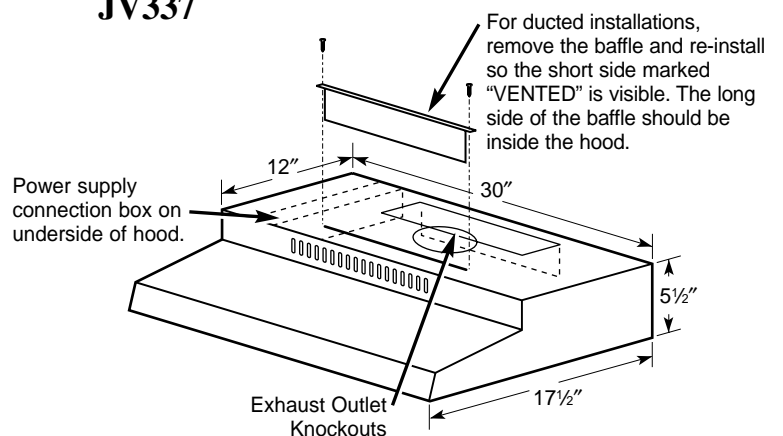
JN327



JV327



JV337



JV347

1. PREPARATION OF WALL CABINET AND WALL

NOTE: For easier installation make all hood and vent cutouts in the cabinet and wall before cabinet is permanently fastened in place. It is recommended that the power supply be brought into the hood from the wall below the cabinet as shown in Fig.1. However, an optional location is shown in Fig. 2, where the power supply enters the top of the hood by passing through the wall cabinet.

A. WALL CABINET WITH RECESSED BOTTOM:

Add the 2 required filler strips as shown in Fig. 3.

B. WALL CABINET WITH FLUSH BOTTOM: In some cases it may be necessary to provide clearance for the connection box cover mounting screw which extends slightly through the top of the hood. Clearance can be provided, if necessary, by carefully positioning the hood against the bottom of the cabinet and marking the screw position; clearance may then be provided by drilling a 1/4" hole in the cabinet bottom.

NOTE: Hood Model JV347 is shipped set up in the non-ducted configuration.

2. DUCT INSTALLATION

Model JV327 See Figs. 4 & 9

The hood has been designed to mate with a standard 7" round duct. (A round damper kit may be ordered. Order GE model number JXDA22.)*

A. If a rectangular duct is desired, a round to rectangular adapter must be used. Install a 4" minimum length of 7" round duct between the hood and adapter to obtain proper operation of the outlet damper.

B. If a 6" round duct is desired, a 7" to 6" reducer is required. Install a 4" minimum length of 7" round duct between the hood and adapter to obtain proper operation of the outlet damper.

CAUTION: Do not fasten the duct to the flange on the top of the hood with screws. The screws will interfere with the fan blade, damaging the motor.

FLUSH OR RECESSED BOTTOM CABINET

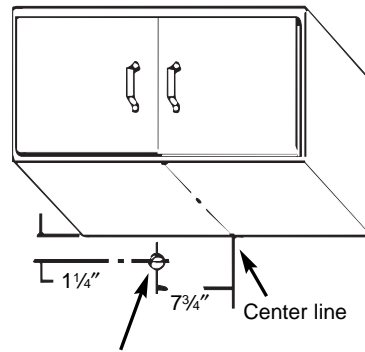


FIGURE 1

1 1/2" dia. clearance hole in wall for recommended power supply location

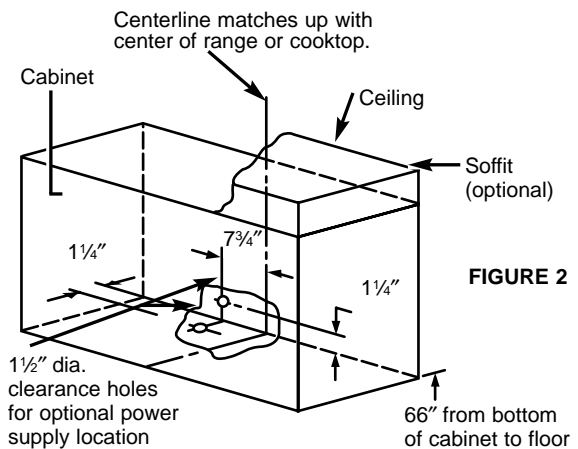


FIGURE 2

RECESSED BOTTOM

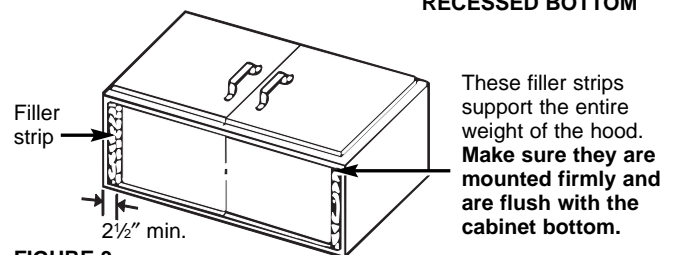


FIGURE 3

These filler strips support the entire weight of the hood. **Make sure they are mounted firmly and are flush with the cabinet bottom.**

Models JV337, JV347

Model JV347 ducted installation: Use the reusable metal grease filter (WB02X8391). Remove the baffle from the top of the hood. Re-install the baffle so the short side marked "VENTED" is visible. The long side of the baffle should be inside the hood.

The hood has been designed to mate with a standard 3 1/4" x 10" rectangular or 7" diameter round duct.

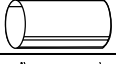


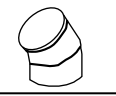
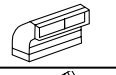
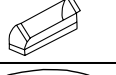

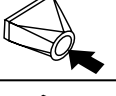
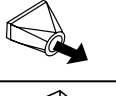
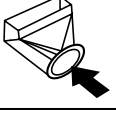
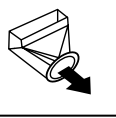
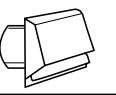
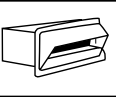

Rectangular Duct See Figs. 5, 6 & 10: The exhaust outlet can be installed as either the top or rear by removing the desired rectangular knockout. A rectangular damper is supplied with the hood.

Round Duct See Figs. 4 & 9: If round duct is desired, either of the following methods must be used:

1. Install a 4" minimum length of rectangular duct between the hood and adapter to obtain proper operating of the outlet damper, or
2. Remove the round knockout on the top of the hood. Drill an appropriate size hole in each of the three tabs. Using pliers, bend the three tabs perpendicular to the hood top. Insert the first piece of 7" diameter duct so the tabs are outside of the duct. Mark on the duct the locations of the holes in the tabs. Drill the appropriate size hole and, using screws, fasten the duct.

CAUTION: If rear or horizontal exhaust is to be used, care should be taken to align exhaust with space between 2 studs, or wall should be prepared at the time it is constructed, by leaving enough space between wall studs to accommodate exhaust.

MAXIMUM DUCT LENGTH: For satisfactory air movement (CFM) the total duct length should not exceed 65 equivalent feet of 3 1/4" x 10" rectangular duct. Equivalent feet are defined as total feet straight duct plus equivalent feet of elbows, transitions, wall caps, etc. Figure 7a shows the approximate equivalent feet of some typical round (6" dia.) duct elements and rectangular (3 1/4" x 10") duct elements.

| Duct Pieces | Equivalent Length | Number Used | Total Equivalent Length |
|---|-------------------|--------------|-------------------------|
|  6" round, straight | 5 | feet | |
|  3 1/4" x 10" straight | 2.5 | feet | |
|  6" 90° elbow | 8 | | |
|  6" 45° elbow | 6.5 | | |
|  3 1/4" x 10" 90° elbow | 8.5 | | |
|  3 1/4" x 10" 45° elbow | 7 | | |
|  3 1/4" x 10" 90° flat elbow | 24 | | |
|  6" round to 3 1/4" x 10" transition | 5.5 | | |
|  3 1/4" x 10" to 6" round transition | 4.5 | | |
|  6" round to 3 1/4" x 10" transition 90° elbow | 14.5 | | |
|  3 1/4" x 10" to 6" round transition 90° elbow | 11.5 | | |
|  6" round wall cap with damper | 34 | 6 w/o damper | |
|  3 1/4" x 10" wall cap with damper | 45 | 7 w/o damper | |
|  6" round roof cap | 30 | | |

* To order call: your local GE dealer, GE Service & Parts Center (see the telephone white pages) or the GE Answer Center, 1-800-626-2000.

FIGURE 7a

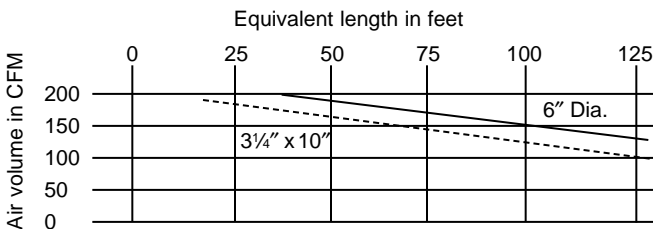


FIGURE 7b

Flush or recessed bottom cabinet

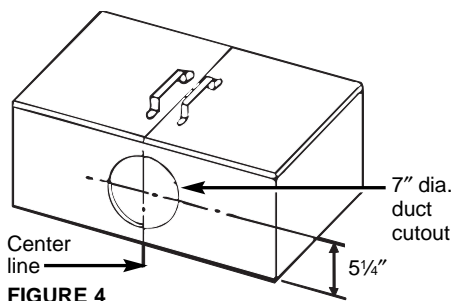


FIGURE 4

Flush or recessed bottom cabinet

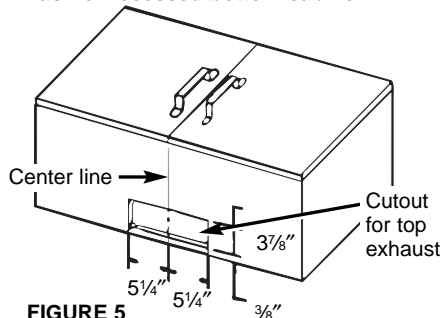


FIGURE 5

Flush or recessed bottom cabinet

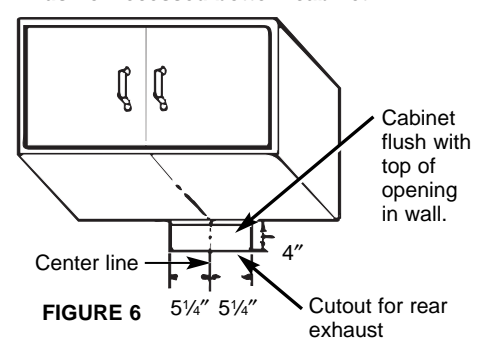


FIGURE 6

3. POWER SUPPLY

A. CIRCUIT VOLTAGE: This hood must be connected to a supply circuit of the proper voltage and frequency as specified on the rating plate. Wire size must conform to the requirements of the National Electrical Code or the prevailing local code for hoods of this rating. The rating plate is located on the rear wall of the hood.

B. FUSE RATING: 15 amps.

C. Unless otherwise specified by local codes, bring a 15 amp 2 wire circuit with ground to the area of the power supply connection box.

D. USE OF OPTIONAL TOP POWER SUPPLY: The power supply can be attached through the top knockout if desired, but only the top or back knockout shall be opened (See Figs. 8, 9 and 10).

Exhaust outlet connects to 3 1/4" x 10" rectangular duct; outlet has TOTAL ADJUSTMENT of 1 1/2" from side to side to simplify duct alignment.

NOTE: Exhaust outlet can be installed as either TOP or REAR by removing desired knockout. Insert a screwdriver under edge of knockout. Break tabs and remove knockout with pliers.

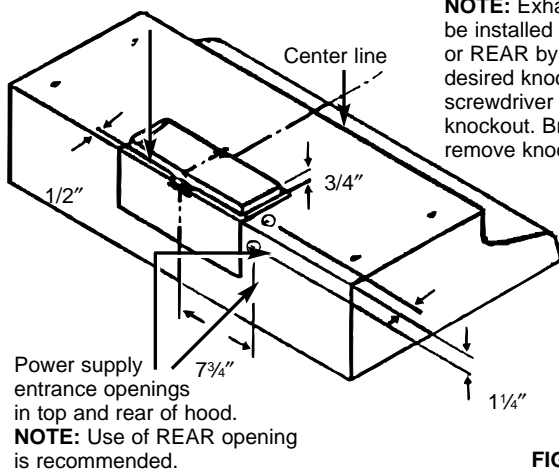


FIGURE 10

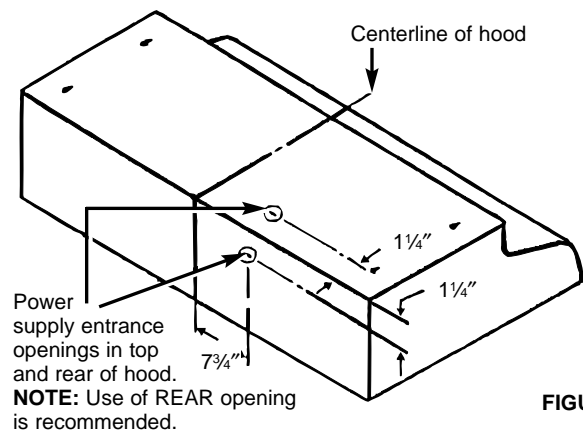


FIGURE 8

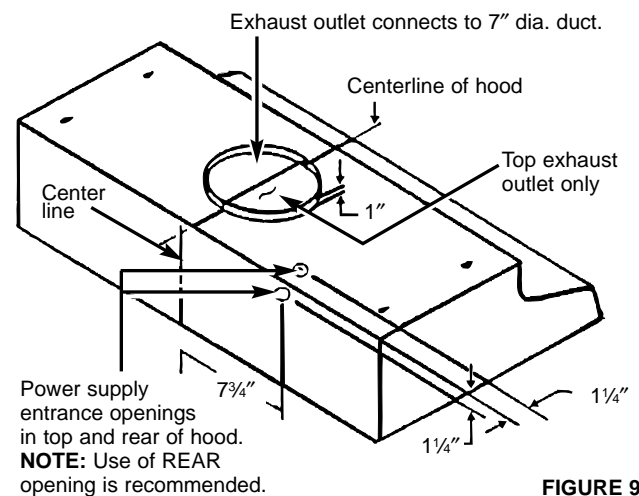


FIGURE 9

4. HOOD INSTALLATION

A. MECHANICAL

NOTE: When possible, it is more convenient to mount and wire the hood before the base cabinet is put in place.

1. Take out 1 screw and remove the power supply connection box cover located on the underside of the hood (See Fig. 13 Model: JV327) (See Fig. 12 Models: JN327, JV337 & JV347).
2. To locate the 4 mounting holes, position the hood carefully against the bottom of the wall cabinet and mark the screw positions through the keyhole slots in the hood. Drill 3/32" pilot holes for the mounting screws in the small end of the keyhole.
3. Partially drive the 4 mounting screws so that the heads of the screws extend 1/2" below the bottom of the cabinet. Raise the hood against the bottom of the cabinet, making sure that the heads of the mounting screws protrude through the hole section of the keyhole slots as shown in Fig. 11. Before tightening the mounting screws, attach the power supply cable to the hood. Then push the hood back against the wall and tighten the mounting screws.

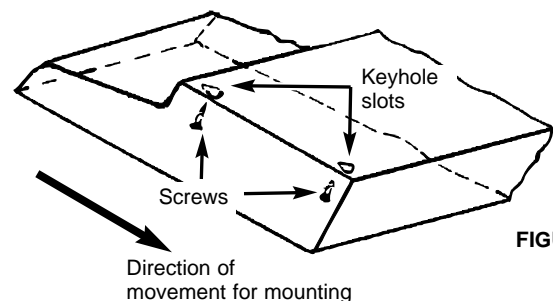


FIGURE 11

B. ELECTRICAL CONNECTION

1. Be sure the power supply is disconnected before making electrical connections.
2. Remove the connection box cover located on the left side of the fan unit.
3. Attach the power supply through the knockout hole in the back or top of the hood.
4. Connect the colored incoming power supply lead to the stripped black lead and connect the incoming white neutral lead to the stripped white lead in the connection box as shown in Figs. 12 and 13. Make connections in the hood in accordance with local codes.

WARNING: IMPROPER CONNECTION OF ALUMINUM HOUSE WIRING TO THESE COPPER LEADS CAN RESULT IN A SERIOUS PROBLEM. USE ONLY CONNECTORS DESIGNED FOR JOINING COPPER TO ALUMINUM AND FOLLOW THE MANUFACTURER'S RECOMMENDED PROCEDURE CLOSELY.

5. A ground lug is provided for proper grounding of the hood frame. It is recommended that the hood frame be grounded in accordance with National Electrical Code and local codes (see Figs. 12 and 13).
6. All electrical connections should be inspected carefully before the power is turned on to make certain that none have come loose during shipment.
7. Reinstall the connection box cover.
8. Install a lamp (not supplied with hood in the socket).
(CAUTION: Maximum wattage on the lamp should not exceed 60 watts.)

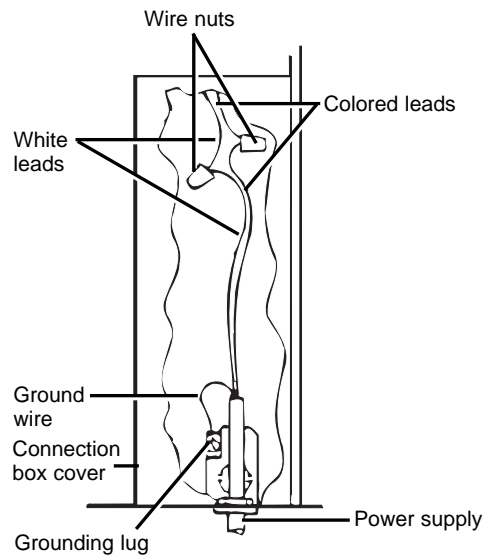


FIGURE 12

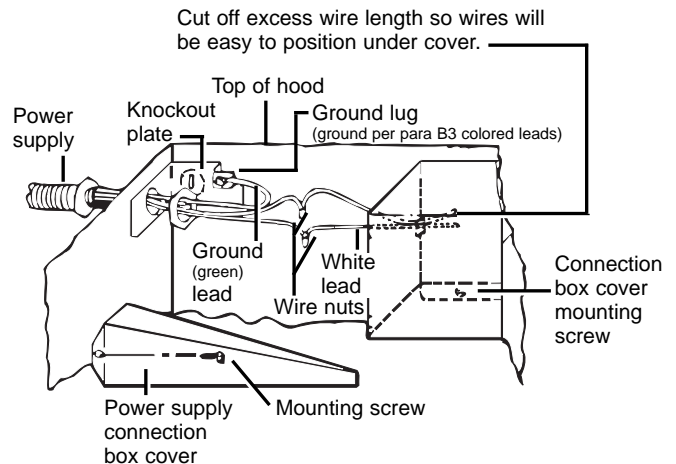


FIGURE 13

Lamp Replacement

Model JV347 has a lamp cover.

The lamp cover need not be removed for lamp removal or installation.

CAUTION: Let the lamp cool completely before removing. A warm or hot bulb may break if touched with a moist cloth or hand.

Remove the lamp and replace with an ordinary screw-base lamp bulb NOT MORE THAN 60 WATTS.

To remove the lamp cover, if desired:

- Press the sides with 2 fingers until the side prongs are released.
- Lift the lamp cover and slide toward you in one motion.

To replace the lamp cover:

- Insert the prong located at the end of the cover into the top opening.
- Gently push the cover up and press the sides to fit the side prongs into the side openings.
- Release and the cover will lock in position.

Questions?

Use This Problem Solver

| PROBLEM | POSSIBLE CAUSE |
|---|---|
| FAN DOES NOT OPERATE WHEN THE SWITCH IS ON | <ul style="list-style-type: none">• A fuse may be blown or a circuit breaker tripped. Replace fuse or reset circuit breaker. |
| FAN FAILS TO CIRCULATE AIR | <ul style="list-style-type: none">• Fan blade striking the hood shell.• Excessively soiled filter should be checked and corrected before using the hood again. |
| FAN OPERATES BUT MOVES AIR SLOWER THAN NORMAL | <ul style="list-style-type: none">• Check to be sure the filter is clean. If replacing the filter does not correct the problem, call for service. |
| FAN KEEPS GOING OFF AND ON | <ul style="list-style-type: none">• The motor is probably overheating and turning itself off. This can be harmful to the motor. Check to be sure the filter is clean. If off and on cycling continues, call for service. |

Help Us Help You...

Write down the model and serial numbers.

You'll find them on a label on the back wall of the hood. These numbers are also on the Consumer Product Ownership Registration Card that came with your hood. Before sending in this card, please write these numbers here:

Model Number

Serial Number

Use these numbers in any correspondence or service calls concerning your hood.

If You Need Service

To obtain service, see your warranty on the back page of this guide.

We're proud of our service and want you to be pleased. If for some reason you are not happy with the service you receive, here are steps to follow for further help.

FIRST, contact the people who serviced your appliance. Explain why you are not pleased. In most cases, this will solve the problem.

NEXT, if you are still not pleased, write all the details—including your phone number—to:

Manager, Customer Relations
GE Appliances
Appliance Park
Louisville, KY 40225

YOUR RANGE HOOD WARRANTY

Staple sales slip or cancelled check here. Proof of original purchase date is needed to obtain service under warranty.

WHAT IS COVERED

FULL ONE-YEAR WARRANTY

For one year from date of original purchase, we will provide, free of charge, parts and service labor in your home to repair or replace **any part of the hood** that fails because of a manufacturing defect.

This warranty is extended to the original purchaser and any succeeding owner for products purchased for ordinary home use in the 48 mainland states, Hawaii and Washington, D.C. In Alaska the warranty is the same except that it is LIMITED because you must pay to ship the product to the service shop or for the service technician's travel costs to your home.

All warranty service will be provided by our Factory Service Centers or by our authorized Customer Care[®] servicers during normal working hours.

Should your appliance need service, during warranty period or beyond, call 800-GE-CARES (800-432-2737).

WHAT IS NOT COVERED

- Service trips to your home to teach you how to use the product.
- Improper installation.

If you have an installation problem, contact your dealer or installer. You are responsible for providing adequate electrical, gas, exhausting and other connecting facilities as described in the Installation Instructions provided with the product.

- Replacement of the replaceable filters.
- Replacement of house fuses or resetting of circuit breakers.

- Failure of the product if it is used for other than its intended purpose or used commercially.
- Damage to product caused by accident, fire, floods or acts of God.

WARRANTOR IS NOT RESPONSIBLE FOR CONSEQUENTIAL DAMAGES.

Some states do not allow the exclusion or limitation of incidental or consequential damages, so the above limitation or exclusion may not apply to you. This warranty gives you specific legal rights, and you may also have other rights which vary from state to state. To know what your legal rights are in your state, consult your local or state consumer affairs office or your state's Attorney General.

Warrantor: General Electric Company

**If further help is needed concerning this warranty, write:
Manager—Customer Relations, GE Appliances, Louisville, KY 40225**

Part No. 164D3333P051-5

Pub No. 49-8809-5

945-0626-005

JN327

JV327

JV337

JV347

Printed in the United States

Free Manuals Download Website

<http://myh66.com>

<http://usermanuals.us>

<http://www.somanuals.com>

<http://www.4manuals.cc>

<http://www.manual-lib.com>

<http://www.404manual.com>

<http://www.luxmanual.com>

<http://aubethermostatmanual.com>

Golf course search by state

<http://golfingnear.com>

Email search by domain

<http://emailbydomain.com>

Auto manuals search

<http://auto.somanuals.com>

TV manuals search

<http://tv.somanuals.com>