

Use and Care of Ventilating Hood Models JV322J, JV324J, JV332J, JV334J, JV334R, JV335R, JV624J, JV634J, JV634R & JV635R

READ AND SAVE THESE INSTRUCTIONS

Important Safety Instructions

When you get your new hood...

- Have it installed and properly grounded by a qualified technician in accordance with the installation instructions.
- Have installer show you the location of the hood circuit breaker or fuse and mark it for easy reference.
- Take the time to read our suggestions for best use.

When using your hood...

- Due to the hood fan drawing power, special caution is needed to avoid spreading of possible flame from the cooking surface of your range.
- **Never leave surface units unattended at high heat settings.** Boilover causes smoking and greasy spillovers that may ignite and spread if hood is used. Use surface unit heat settings recommended by manufacturer and adequate-size utensils.
- **When flaming foods are under the hood, turn the fan off.** The fan, if operating, may spread the flame.
- **Never use your cooking appliance for warming, or heating the room.** The electrical wiring of your range hood may not withstand the resulting excessive heat.
- **Keep hood and grease filters clean** according to instructions to maintain good venting and to avoid grease fires.
- **DO NOT USE WATER ON GREASE FIRES. NEVER PICK UP A FLAMING PAN.** Smother flaming pan with well fitting lid, cookie sheet or flat tray, and, **IF YOU CAN DO SO WITHOUT GETTING BURNED**, immediately turn "OFF" the surface unit switch and hood. If there is danger of being burned, wait until **AFTER** flame has been reduced.

Flaming grease outside pan can be extinguished by baking soda, or, if available, a multi-purpose dry chemical or foam type fire extinguisher.

If you need service...

- **Do not attempt to repair or replace any part of your hood unless it is specifically recommended in this book.** All other servicing should be referred to a qualified technician.
- **Disconnect hood circuit breaker or fuse before performing any service.**

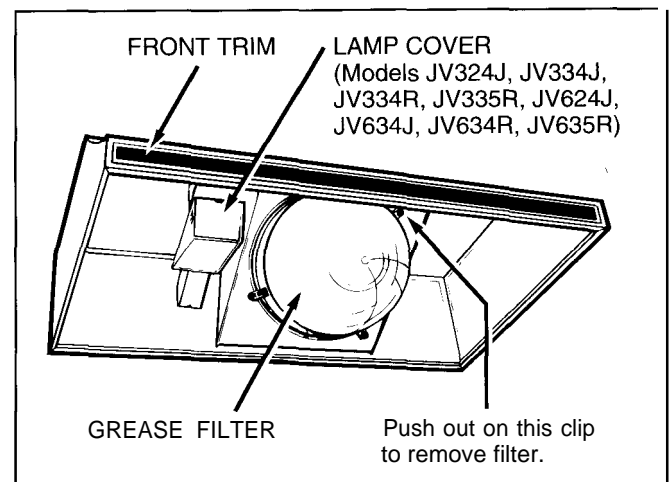
Write down the model and serial numbers.

You'll find them on a label on the back wall of the hood. These numbers are also on the Consumer Product Ownership Registration Card that came with your hood. Before sending in this card, please write these numbers here:

Model Number

Serial Number

Use these numbers in any correspondence or service calls concerning your hood.



Your hood is equipped with a metal grease filter. When the fan is operated, air is drawn through the filter and discharged to the outside.

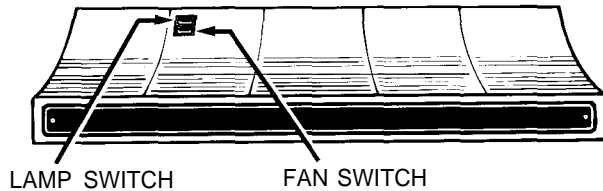
CAUTION—before operating the hood:

- Remove the Grease Filter. (See instructions on page 2.)
- Remove the wrappings from the filter.
- Install the lamp bulb (not provided). See Lamp Replacement instructions on page 2.
- Reinstall the Grease Filter. The hood must not be operated without the filter in place.
- Remove transparent protective film from the front trim (except Models JV322J and JV332J).

Turn the page for Operation and Maintenance instructions.

GE Quality Product

To Operate



Lamp Switch

For models JV322 and JV332, switch has OFF and ON positions. For other models, CENTER position OFF, LEFT position NIGHT LIGHT, RIGHT position BRIGHT LIGHT.

Fan Switch

CENTER position OFF, LEFT position LOW SPEED, RIGHT position HIGH SPEED.

To Maintain

Grease Filter

The efficiency of your hood depends on a clean filter. Frequency of cleaning depends on the type of cooking you do. **BUT GREASE FILTER SHOULD BE CLEANED AT LEAST ONCE A MONTH. NEVER OPERATE THE HOOD WITHOUT THE FILTER IN PLACE.**

To remove: Press outward on spring clip, pull down and snap out filter.

To clean: Soak and then agitate in a hot detergent solution. Light brushing may be used to remove imbedded soil. Rinse, shake and remove moisture before replacing.

With careful handling, the filter will last for years. If replacement becomes necessary, order part number WB02X2052 from your dealer.

To replace: Put the filter rim in and against two clips, push outward on the third clip and press filter upward into place.

Hood

Clean grease laden surfaces of the hood frequently. Use warm detergent solution. About 1 tablespoon of ammonia may be added to the water. **TAKE CARE TO NOT COME IN CONTACT WITH FILTERS AND OTHER NON-ENAMELED SURFACES.** The hood shell can be washed, rinsed and dried with a soft cloth.

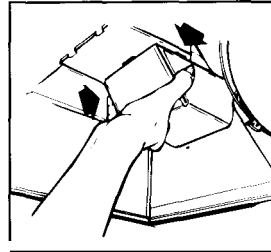
CAUTION: Be certain when cleaning hood surfaces you do not touch lamp bulb with moist hands or cloth. A warm or hot lamp bulb may break if touched with a moist surface. **ALWAYS** let lamp cool **COMPLETELY** before cleaning around it.

Motor and Fan

To Clean Motor and Fan

1. DISCONNECT THE HOOD POWER SUPPLY AT THE HOUSEHOLD DISTRIBUTION PANEL BY REMOVING THE FUSE OR SWITCHING OFF THE CIRCUIT BREAKER.
2. Remove filter.
3. Wipe fan blade and motor with cloth, dampened only in ammonia and warm water solution.
4. Replace filter.
5. Reconnect the hood power supply.

Lamp Replacement



Models JV324J, JV334J, JV334R, JV335R, JV624J, JV634J, JV634R and JV635R have a lamp cover.

The lamp cover need not be removed for lamp removal or installation.

CAUTION: Let lamp cool completely before removing. A warm or hot bulb may break if touched with a moist cloth or hand.

Remove lamp and replace with an ordinary screw-base lamp bulb **NOT MORE THAN 60 WATTS.**

To remove lamp cover, if desired:

- Press the sides with two fingers until the side prongs are released.
- Lift lamp cover and slide towards you in one motion.

To replace lamp cover:

- Insert prong located at end of cover into top opening.
- Gently push cover up and press sides to fit side prongs into the side openings.
- Release and cover will lock in position.

U.L. Requirement

WARNING: THE ELECTRICAL WIRING AND FAN MOTOR IN THIS RANGE HOOD ARE NOT INTENDED FOR USE WITH, OR PROVIDED WITH A SOLID STATE SPEED CONTROL. ANY SUCH ALTERATION FROM ORIGINAL FACTORY WIRING CONCEPT COULD RESULT IN DAMAGE TO THE UNIT AND/OR CREATE AN ELECTRICAL SAFETY HAZARD.



Questions? Use This Problem Solver

PROBLEM	POSSIBLE CAUSE AND REMEDY
FAN DOES NOT OPERATE WHEN THE SWITCH IS ON	• A fuse may be blown or a circuit breaker tripped. Replace fuse or reset circuit breaker.
FAN FAILS TO CIRCULATE AIR	• Fan blade striking the hood shell. • Excessively soiled filter should be checked and corrected before using the hood again.
FAN OPERATES BUT MOVES AIR SLOWER THAN NORMAL	• Check to be sure the filter is clean . If that does not correct the problem, call for service.
FAN KEEPS GOING OFF AND ON	• The motor is probably overheating and turning itself off. This can be harmful to the motor. Check to be sure the filter is clean . If off and on cycling continues, call for service.

**If you need more help...call, toll free:
GE Answer Center™
800.626.2000
consumer information service**

If You Need Service

To obtain service, see your warranty on the back page of this book.

We're proud of our service and want you to be pleased. If for some reason you are not happy with the service you receive, here are three steps to follow for further help.

FIRST, contact the people who serviced your appliance. Explain why you are not pleased. In most cases, this will solve the problem.

NEXT, if you are still not pleased, write all the details—including your phone number—to:

Manager, Consumer Relations
GE Appliances
Appliance Park
Louisville, KY 40225

FINALLY, if your problem is still not resolved, write:

Major Appliance Consumer Action Panel
20 North Wacker Drive
Chicago, IL 60606

YOUR RANGE HOOD WARRANTY

Save proof of original purchase date such as your sales slip or cancelled check to establish warranty period.

WHAT IS COVERED

FULL ONE-YEAR WARRANTY

For one year from date of original purchase, we will provide, free of charge, parts and service labor in your home to repair or replace **any part of the hood** that fails because of a manufacturing defect.

This warranty is extended to the original purchaser and any succeeding owner for products purchased for ordinary home use in the 48 mainland states, Hawaii and Washington, D.C. In Alaska the warranty is the same except that it is LIMITED because you must pay to ship the product to the service shop or for the service technician's travel costs to your home.

All warranty service will be provided by our Factory Service Centers or by our authorized Customer Care® servicers during normal working hours.

Should your appliance need service, during warranty period or beyond, call 1-800-GE-CARES (1-800-432-2737).

WHAT IS NOT COVERED

- Service trips to your home to teach you how to use the product.
- Read your Use and Care material,** If you then have any questions about operating the product, please contact your dealer or our Consumer Affairs office at the address below, or call, toll free:
- GE Answer Center™
800.626.2000
consumer information service
- Improper installation.
- If you have an installation problem, contact your dealer or installer. You are responsible for providing adequate electrical, gas, exhausting

and other connecting facilities as described in the Installation Instructions provided with the product.

- Replacement of house fuses or resetting of circuit breakers.
- Failure of the product if it is used for other than its intended purpose or used commercially.
- Damage to product caused by accident, fire, floods or acts of God.

WARRANTOR IS *NOT* RESPONSIBLE FOR CONSEQUENTIAL DAMAGES.

Some states do not allow the exclusion or limitation of incidental or consequential damages, so the above limitation or exclusion may not apply to you. This warranty gives you specific legal rights, and you may also have other rights which vary from state to state. To know what your legal rights are in your state, consult your local or state consumer affairs office or your state's Attorney General.

Warrantor: General Electric Company

**If further help is needed concerning this warranty, write:
Manager—Consumer Affairs, GE Appliances, Louisville, KY 40225**

Part No. 164D2588P114

Pub No. 49-8311

D-945-524-0

3-92 CG

JV322J JV334R JV634J
JV324J JV335R JV634R
JV332J JV624J JV635R
JV334J

Free Manuals Download Website

<http://myh66.com>

<http://usermanuals.us>

<http://www.somanuals.com>

<http://www.4manuals.cc>

<http://www.manual-lib.com>

<http://www.404manual.com>

<http://www.luxmanual.com>

<http://aubethermostatmanual.com>

Golf course search by state

<http://golfingnear.com>

Email search by domain

<http://emailbydomain.com>

Auto manuals search

<http://auto.somanuals.com>

TV manuals search

<http://tv.somanuals.com>