

16G353 Alternator Conversion Kit

3A1323C
EN

Converts ProMix 2KE Electronic Proportioner from an electric power supply to an air-powered alternator power supply. For professional use only.



Not approved for use in European explosive atmosphere locations.



Important Safety Instructions

Read all warnings and instructions in this manual and your separate ProMix 2KE manuals. Save these instructions.

For patent information, see www.graco.com/patents




						
<p>Converting the ProMix 2KE proportioner from a line power electric supply to an air-powered alternator power supply does not provide an intrinsically safe rating for the equipment.</p>						

Kit Parts

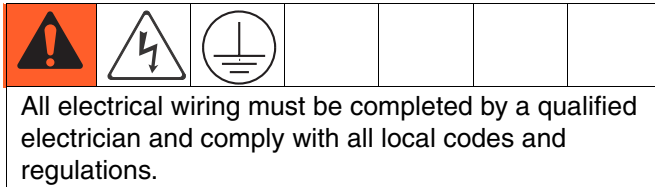
Ref.	Part	Description	Qty.
501	255728	MODULE, alternator	1
502	15W017	VALVE, safety	1
503	156971	FITTING, nipple, short	1
504	115841	ELBOW	1
505	115243	REGULATOR, air, 1/4 npt	1
506	113915	UNION, swivel	1
507	112307	ELBOW	1
508	104655	GAUGE, pressure	1
509	103833	SCREW, machine	4
510	100284	NUT, hex	1
511	15B090	WIRE, grounding	1
512	112514	FERRULE, not shown	1
513	---	TUBE, exhaust, black; 1/2 in. (13 mm) OD	3
514	---	TUBE, air; 3/8 in. (10 mm) OD	1
515	123278	CABLE, CAN; 10 ft (3.05 m)	1
516	16G374	CABLE, CAN, f x m; 2 ft (0.6 m)	1
517	15U531	CABLE, CAN, f x f; 2 ft (0.6 m)	1

Warnings

The following warnings are for the setup, use, grounding, maintenance, and repair of this equipment. The exclamation point symbol alerts you to a general warning and the hazard symbols refer to procedure-specific risks. When these symbols appear in the body of this manual, refer back to these Warnings. Product-specific hazard symbols and warnings not covered in this section may appear throughout the body of this manual where applicable.

 WARNING	
	<p>FIRE AND EXPLOSION HAZARD</p> <p>Flammable fumes, such as solvent and paint fumes, in work area can ignite or explode. To help prevent fire and explosion:</p> <ul style="list-style-type: none"> • Use equipment only in well ventilated area. • Eliminate all ignition sources; such as pilot lights, cigarettes, portable electric lamps, and plastic drop cloths (potential static arc). • Keep work area free of debris, including solvent, rags and gasoline. • Do not plug or unplug power cords, or turn power or light switches on or off when flammable fumes are present. • Ground all equipment in the work area. See Grounding instructions. • Use only grounded hoses. • Hold gun firmly to side of grounded pail when triggering into pail. • If there is static sparking or you feel a shock, stop operation immediately. Do not use equipment until you identify and correct the problem. • Keep a working fire extinguisher in the work area.
	<p>ELECTRIC SHOCK HAZARD</p> <p>This equipment must be grounded. Improper grounding, setup, or usage of the system can cause electric shock.</p> <ul style="list-style-type: none"> • Turn off and disconnect power at main switch before disconnecting any cables and before servicing equipment. • Connect only to grounded power source. • All electrical wiring must be done by a qualified electrician and comply with all local codes and regulations.

Remove the Electric Power Supply Components



1. Disconnect main power. Open the control box.
2. See FIG. 1. Disconnect the three input wires from the terminal block (TB). Pull the wires out of the control box and disconnect them at the main power supply panel.

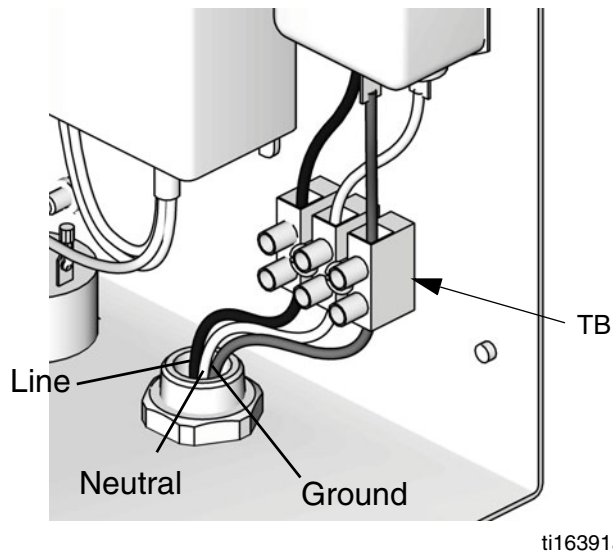


FIG. 1. Terminal Block Electrical Connections

3. See FIG. 2. Disconnect the power supply CAN cable (C) from the fluid control module (FCM).
4. Disconnect all wires from the power switch (P). Leave the switch in place to fill the knockout in the side of the control box.
5. Disconnect the power supply ground wire (GND) from the control box ground terminal (T).
6. Remove the screws (S) holding the power supply (PS), line filter (LF), and terminal block (TB) to the control box. Remove these parts.

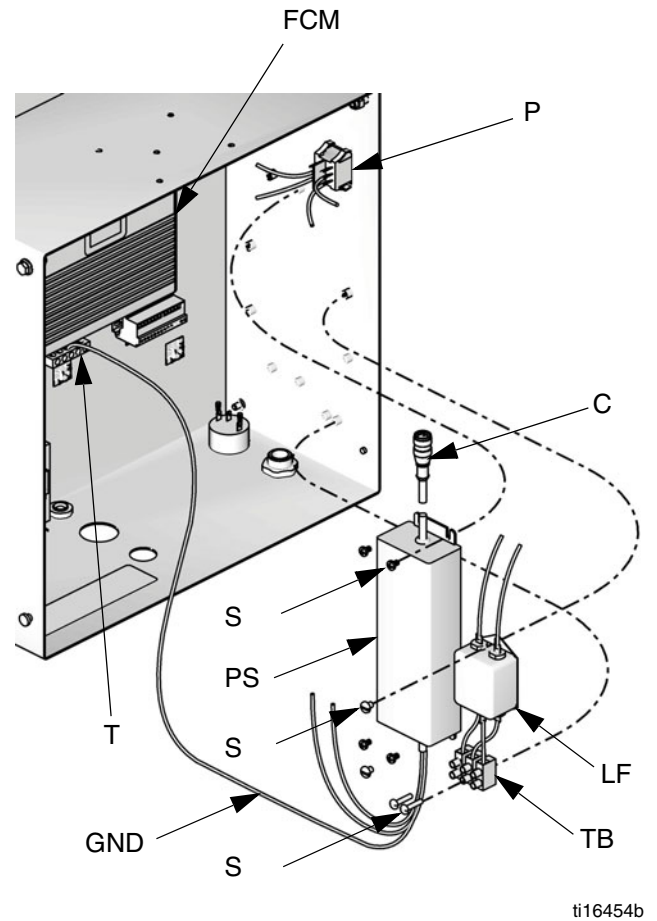


FIG. 2. Remove Power Supply Components

Install the Alternator

1. See FIG. 3. Mount the alternator module (501) to the control box using four screws (509).
2. Connect the alternator ground wire (511) to the control box ground terminal (T), using ferrule (512).

Install the Air Regulator

1. Remove the plug from the solenoid manifold (M). Screw the swivel union (506) into the manifold. See FIG. 3.
2. Assemble the air regulator gauge (508), fittings (503, 504, 507), and safety valve (502) to the regulator (505).
3. Screw the swivel union (506) onto the nipple (503) to secure the air regulator assembly to the solenoid manifold (M).
4. Connect the 3/8 in. (10 mm) OD air tube (514) between the elbow (504) of the air regulator assembly and the alternator air inlet fitting (F).
5. Connect the 1/2 in. (13 mm) OD air exhaust tube (513) to the alternator air exhaust fitting (E). Extend the tube out the bottom of the control box through port (G).

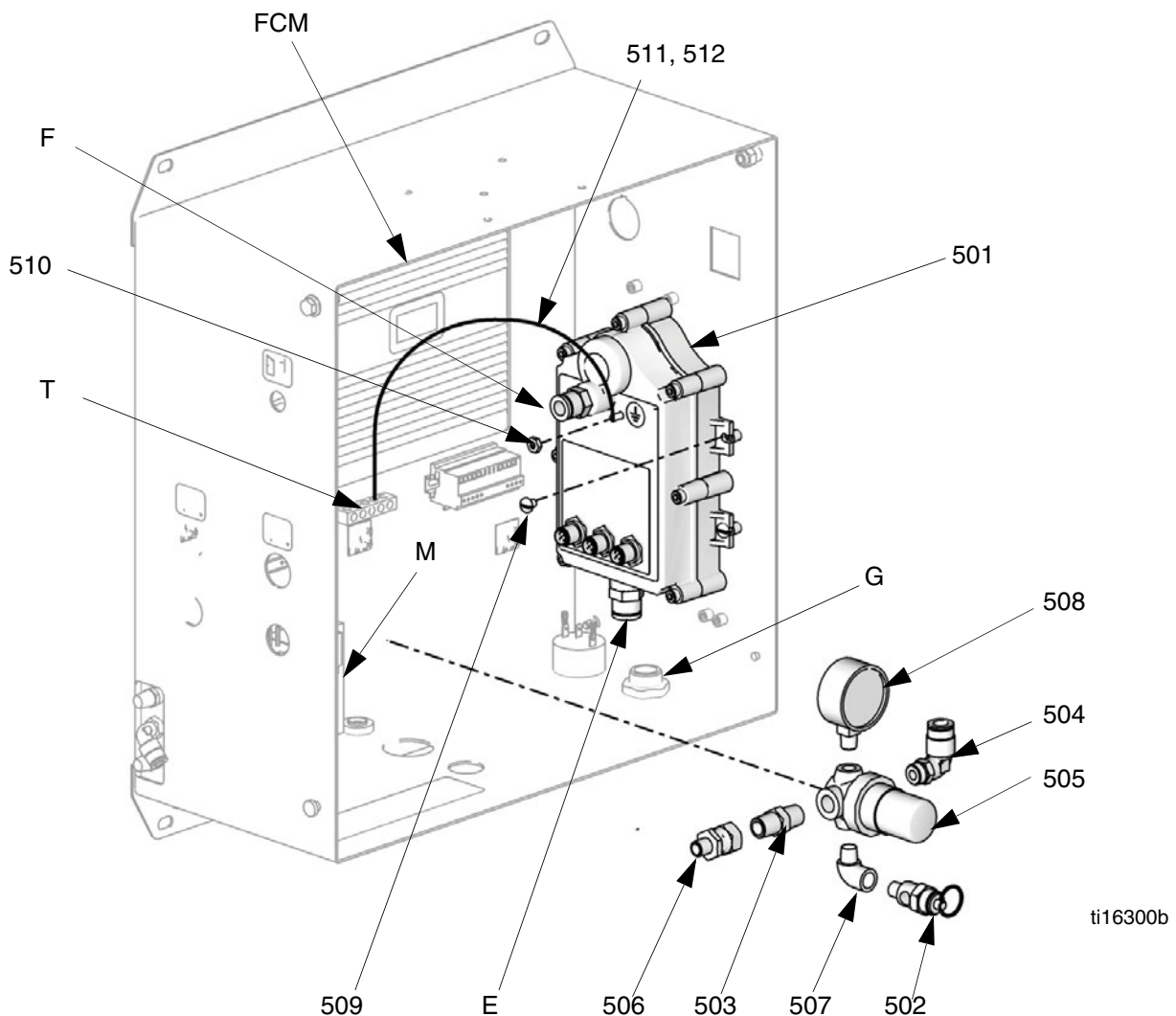


FIG. 3. Install Alternator Components

Install the Power CAN Cables

1. Connect cable (517) to J1 on the alternator and to J7 on the Fluid Control Module (FCM).
2. Connect cable (515) to J3 on the alternator and to J6 on the Display Module.
3. If your system includes a USB Module, connect cable (516) to J2 on the alternator and to P3 on the USB.
4. Close the Control Box. Restore power.
5. See your ProMix 2KE Operation manual for operating instructions.

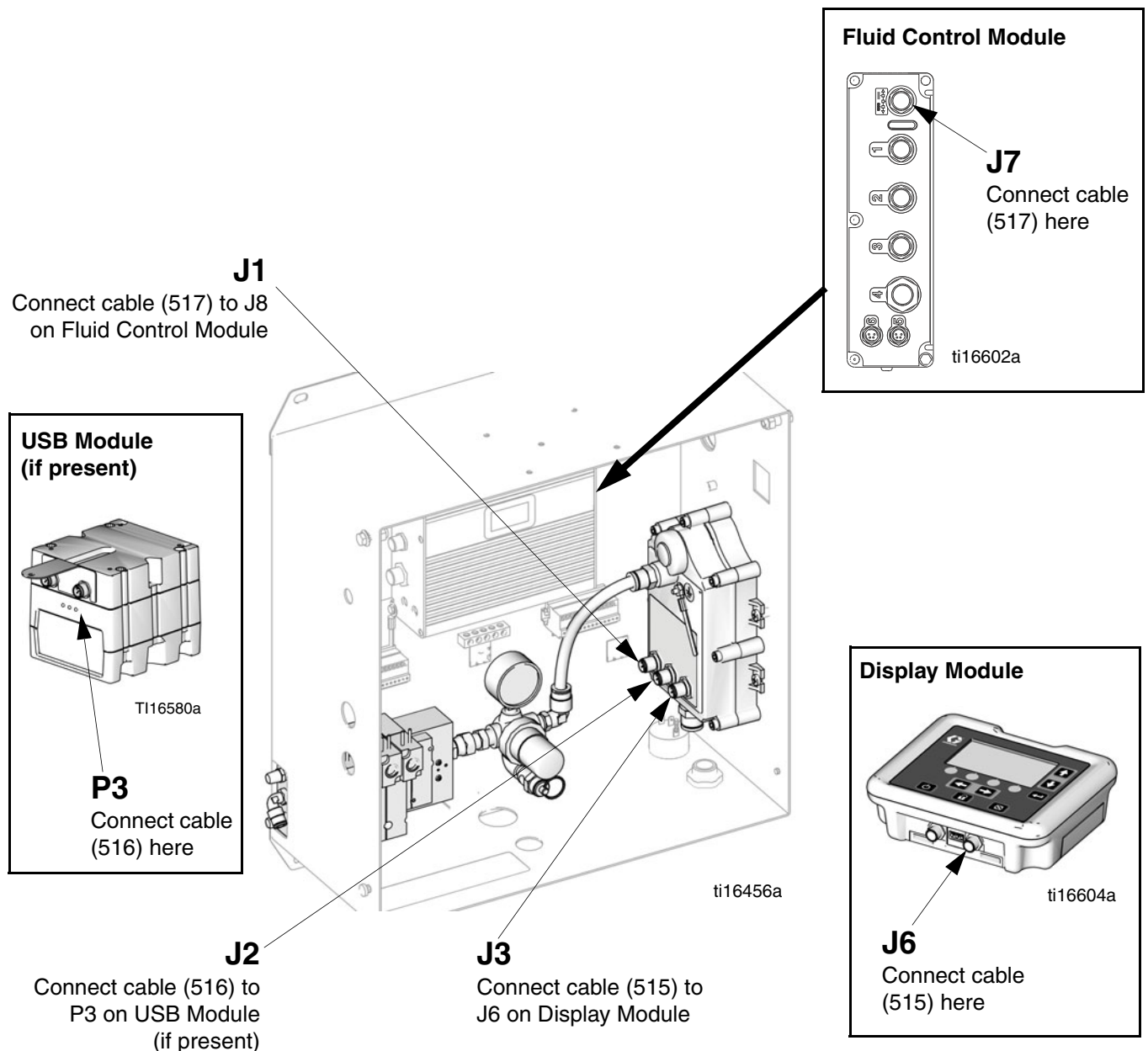


FIG. 4. Install Power CAN Cables

Graco Standard Warranty

Graco warrants all equipment referenced in this document which is manufactured by Graco and bearing its name to be free from defects in material and workmanship on the date of sale to the original purchaser for use. With the exception of any special, extended, or limited warranty published by Graco, Graco will, for a period of twelve months from the date of sale, repair or replace any part of the equipment determined by Graco to be defective. This warranty applies only when the equipment is installed, operated and maintained in accordance with Graco's written recommendations.

This warranty does not cover, and Graco shall not be liable for general wear and tear, or any malfunction, damage or wear caused by faulty installation, misapplication, abrasion, corrosion, inadequate or improper maintenance, negligence, accident, tampering, or substitution of non-Graco component parts. Nor shall Graco be liable for malfunction, damage or wear caused by the incompatibility of Graco equipment with structures, accessories, equipment or materials not supplied by Graco, or the improper design, manufacture, installation, operation or maintenance of structures, accessories, equipment or materials not supplied by Graco.

This warranty is conditioned upon the prepaid return of the equipment claimed to be defective to an authorized Graco distributor for verification of the claimed defect. If the claimed defect is verified, Graco will repair or replace free of charge any defective parts. The equipment will be returned to the original purchaser transportation prepaid. If inspection of the equipment does not disclose any defect in material or workmanship, repairs will be made at a reasonable charge, which charges may include the costs of parts, labor, and transportation.

THIS WARRANTY IS EXCLUSIVE, AND IS IN LIEU OF ANY OTHER WARRANTIES, EXPRESS OR IMPLIED, INCLUDING BUT NOT LIMITED TO WARRANTY OF MERCHANTABILITY OR WARRANTY OF FITNESS FOR A PARTICULAR PURPOSE.

Graco's sole obligation and buyer's sole remedy for any breach of warranty shall be as set forth above. The buyer agrees that no other remedy (including, but not limited to, incidental or consequential damages for lost profits, lost sales, injury to person or property, or any other incidental or consequential loss) shall be available. Any action for breach of warranty must be brought within two (2) years of the date of sale.

GRACO MAKES NO WARRANTY, AND DISCLAIMS ALL IMPLIED WARRANTIES OF MERCHANTABILITY AND FITNESS FOR A PARTICULAR PURPOSE, IN CONNECTION WITH ACCESSORIES, EQUIPMENT, MATERIALS OR COMPONENTS SOLD BUT NOT MANUFACTURED BY GRACO. These items sold, but not manufactured by Graco (such as electric motors, switches, hose, etc.), are subject to the warranty, if any, of their manufacturer. Graco will provide purchaser with reasonable assistance in making any claim for breach of these warranties.

In no event will Graco be liable for indirect, incidental, special or consequential damages resulting from Graco supplying equipment hereunder, or the furnishing, performance, or use of any products or other goods sold hereto, whether due to a breach of contract, breach of warranty, the negligence of Graco, or otherwise.

FOR GRACO CANADA CUSTOMERS

The Parties acknowledge that they have required that the present document, as well as all documents, notices and legal proceedings entered into, given or instituted pursuant hereto or relating directly or indirectly hereto, be drawn up in English. Les parties reconnaissent avoir convenu que la rédaction du présente document sera en Anglais, ainsi que tous documents, avis et procédures judiciaires exécutés, donnés ou intentés, à la suite de ou en rapport, directement ou indirectement, avec les procédures concernées.

Graco Information

For the latest information about Graco products, visit www.graco.com.

TO PLACE AN ORDER, contact your Graco distributor or call to identify the nearest distributor.

Phone: 612-623-6921 **or Toll Free:** 1-800-328-0211 **Fax:** 612-378-3505

All written and visual data contained in this document reflects the latest product information available at the time of publication. Graco reserves the right to make changes at any time without notice.

Original instructions. This manual contains English. MM 3A1323

Graco Headquarters: Minneapolis

International Offices: Belgium, China, Japan, Korea

GRACO INC. AND SUBSIDIARIES • P.O. BOX 1441 • MINNEAPOLIS MN 55440-1441 • USA

Copyright 2010, Graco Inc. All Graco manufacturing locations are registered to ISO 9001.

www.graco.com

Revised April 2012

Free Manuals Download Website

<http://myh66.com>

<http://usermanuals.us>

<http://www.somanuals.com>

<http://www.4manuals.cc>

<http://www.manual-lib.com>

<http://www.404manual.com>

<http://www.luxmanual.com>

<http://aubethermostatmanual.com>

Golf course search by state

<http://golfingnear.com>

Email search by domain

<http://emailbydomain.com>

Auto manuals search

<http://auto.somanuals.com>

TV manuals search

<http://tv.somanuals.com>