

# Gun Service Kits

311340C

EN

*For use with all Graco/Gusmer spray guns (not included).*

## Part No. 296980

*1 quart (0.95 liter) Solvent Cup*

*120 psi (0.83 MPa, 8.3 bar) Maximum Working Fluid Pressure*

## Part No. 296981

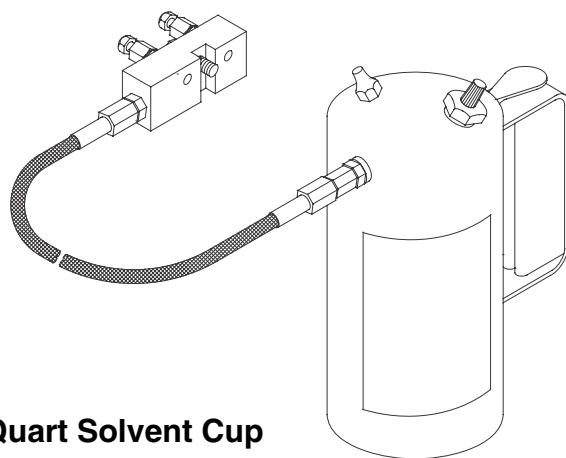
*3 gallon (11.36 liters) Solvent Tank*

*90 psi (0.63 MPa, 6.3 bar) Maximum Working Fluid Pressure*

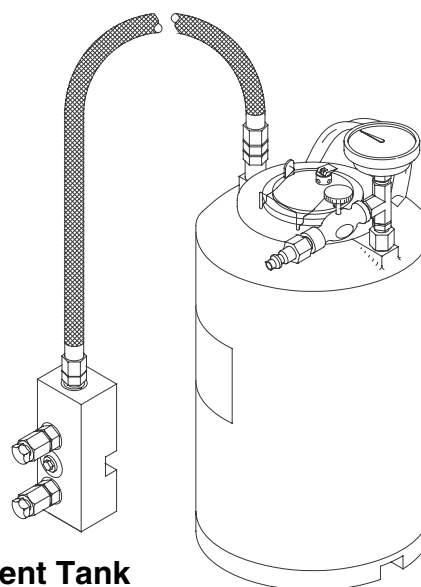


### Important Safety Instructions

Read all warnings and instructions in this manual. Save these instructions.



**1 Quart Solvent Cup**



**3 Gallon Solvent Tank**

**GRACO | GUSMER**

PROVEN QUALITY. LEADING TECHNOLOGY.

GRACO INC. AND SUBSIDIARIES • P.O. BOX 1441 • MINNEAPOLIS MN 55440-1441 • USA






Copyright 2005, Graco Inc. All Graco manufacturing locations are registered to ISO 9001.

# Contents

<b>Warnings</b> .....	<b>3</b>	<b>Parts</b> .....	<b>11</b>
<b>Grounding</b> .....	<b>6</b>	Part No. 296980 .....	11
<b>Pressure Relief Procedures</b> .....	<b>7</b>	Part No. 296981 .....	12
Relieve Fluid Pressure in Gun .....	7	<b>Technical Data</b> .....	<b>13</b>
Relieve Air Pressure .....	8	<b>Graco Standard Warranty</b> .....	<b>14</b>
<b>Operation</b> .....	<b>9</b>	<b>Graco Information</b> .....	<b>14</b>
Fill 1 Quart Solvent Cup .....	9		
Flush Gun .....	9		

# Warnings

The following general warnings are for the setup, use, grounding, maintenance, and repair of this equipment. Additional, more specific warnings may be found throughout the body of this manual where applicable. *Symbols appearing in the body of the manual refer to these general warnings. When these symbols appear throughout the manual, refer back to these pages for a description of the specific hazard.*

 <b>WARNING</b>	
	<p><b>PERSONAL PROTECTIVE EQUIPMENT</b></p> <p>You must wear appropriate protective equipment when operating, servicing, or when in the operating area of the equipment to help protect you from serious injury, including eye injury, inhalation of toxic fumes, burns, and hearing loss. This equipment includes but is not limited to:</p> <ul style="list-style-type: none"> <li>• Protective eyewear</li> <li>• Clothing and respirator as recommended by the fluid and solvent manufacturer</li> <li>• Gloves</li> <li>• Hearing protection</li> </ul>
	<p><b>TOXIC FLUID OR FUMES HAZARD</b></p> <p>Toxic fluids or fumes can cause serious injury or death if splashed in the eyes or on skin, inhaled, or swallowed.</p> <ul style="list-style-type: none"> <li>• Read MSDS's to know the specific hazards of the fluids you are using.</li> <li>• Store hazardous fluid in approved containers, and dispose of it according to applicable guidelines.</li> </ul>
	<p><b>SKIN INJECTION HAZARD</b></p> <p>High-pressure fluid from gun, hose leaks, or ruptured components will pierce skin. This may look like just a cut, but it is a serious injury that can result in amputation. <b>Get immediate surgical treatment.</b></p> <ul style="list-style-type: none"> <li>• Do not point gun at anyone or at any part of the body.</li> <li>• Do not put your hand over the spray tip.</li> <li>• Do not stop or deflect leaks with your hand, body, glove, or rag.</li> <li>• Do not spray without tip guard and trigger guard installed.</li> <li>• Follow <b>Pressure Relief Procedure</b> in this manual, when you stop spraying and before cleaning, checking, or servicing equipment.</li> </ul>
	<p><b>PRESSURIZED ALUMINUM PARTS HAZARD</b></p> <p>Do not use 1,1,1-trichloroethane, methylene chloride, other halogenated hydrocarbon solvents or fluids containing such solvents in pressurized aluminum equipment. Such use can cause serious chemical reaction and equipment rupture, and result in death, serious injury, and property damage.</p>

 **WARNING**
**FIRE AND EXPLOSION HAZARD**

Flammable fumes, such as solvent and paint fumes, in **work area** can ignite or explode. To help prevent fire and explosion:

- Use equipment only in well ventilated area.
- Eliminate all ignition sources; such as pilot lights, cigarettes, portable electric lamps, and plastic drop cloths (potential static arc).
- Keep work area free of debris, including solvent, rags and gasoline.
- Do not plug or unplug power cords, or turn power or light switches on or off when flammable fumes are present.
- Ground all equipment in the work area. See **Grounding** instructions.
- Use only grounded hoses.
- Hold gun firmly to side of grounded pail when triggering into pail.
- If there is static sparking or you feel a shock, **stop operation immediately**. Do not use equipment until you identify and correct the problem.
- Keep a fire extinguisher in the work area.

**EQUIPMENT MISUSE HAZARD**

Misuse can cause death or serious injury.

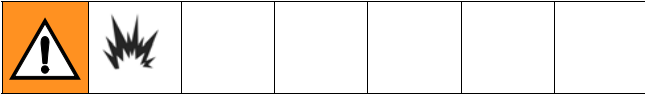
- Do not operate the unit when fatigued or under the influence of drugs or alcohol.
- Do not exceed the maximum working pressure or temperature rating of the lowest rated system component. See **Technical Data** in all equipment manuals.
- Use fluids and solvents that are compatible with equipment wetted parts. See **Technical Data** in all equipment manuals. Read fluid and solvent manufacturer's warnings. For complete information about your material, request MSDS forms from distributor or retailer.
- Check equipment daily. Repair or replace worn or damaged parts immediately with genuine Graco/Gusmer replacement parts only.
- Do not alter or modify equipment.
- Use equipment only for its intended purpose. Call your Graco/Gusmer distributor for information.
- Route hoses and cables away from traffic areas, sharp edges, moving parts, and hot surfaces.
- Do not kink or over bend hoses or use hoses to pull equipment.
- Keep children and animals away from work area.
- Comply with all applicable safety regulations.

 **WARNING****PRESSURIZED EQUIPMENT HAZARD**

Fluid from the gun/dispense valve, leaks, or ruptured components can splash in the eyes or on skin and cause serious injury.

- Follow **Pressure Relief Procedure** in this manual, when you stop spraying and before cleaning, checking, or servicing equipment.
- Tighten all fluid connections before operating the equipment.
- Check hoses, tubes, and couplings daily. Replace worn or damaged parts immediately.

# Grounding







Ground all solvent pails used when flushing, following your local code. Use only metal pails, which are conductive, placed on a grounded surface. Do not place pail on a nonconductive surface, such a paper or cardboard, which interrupts grounding continuity.

To maintain continuity when flushing or relieving pressure, hold a metal part of spray gun firmly to side of *grounded* metal pail.

# Pressure Relief Procedures

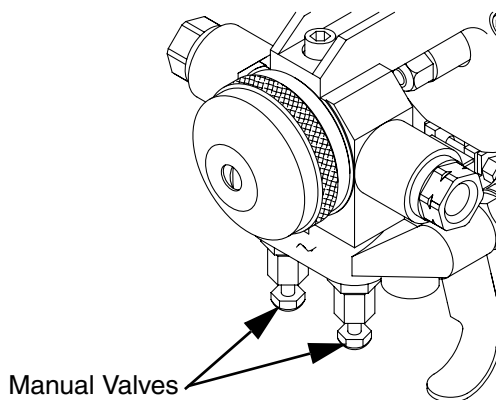
## Relieve Fluid Pressure in Gun

						
Relieve pressure before cleaning or repairing gun.						

1. Engage safety lock.

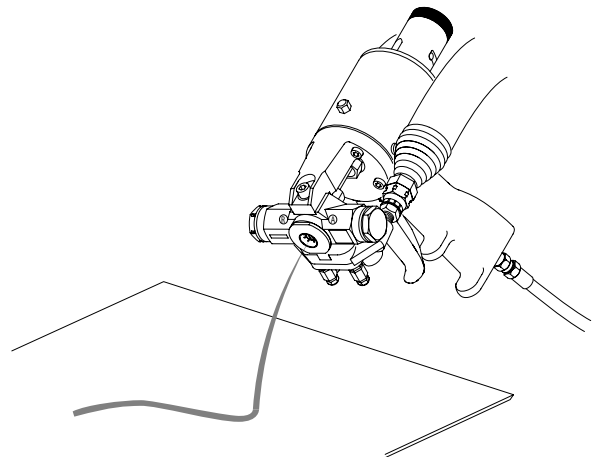
<b>CAUTION</b>
Air supply is required for gun actuation. Do not disconnect gun air supply until fluid pressure is relieved.

2. Close manual valves. Leave air valve open.






**FIG. 1: Close Manual Valves**

3. Disengage safety lock.
4. Trigger gun onto cardboard or into waste container to relieve pressure.





**FIG. 2: Trigger Gun to Relieve Pressure**

5. Engage safety lock.

						
Fluid in hose and proportioner is still under pressure. Follow Pressure Relief Procedure in proportioner manual.						

## Relieve Air Pressure



### 3 Gallon Tank (Model 296981)

						
<p>Never transport tank while pressurized. Always relieve air pressure from tank before removing cover.</p>						

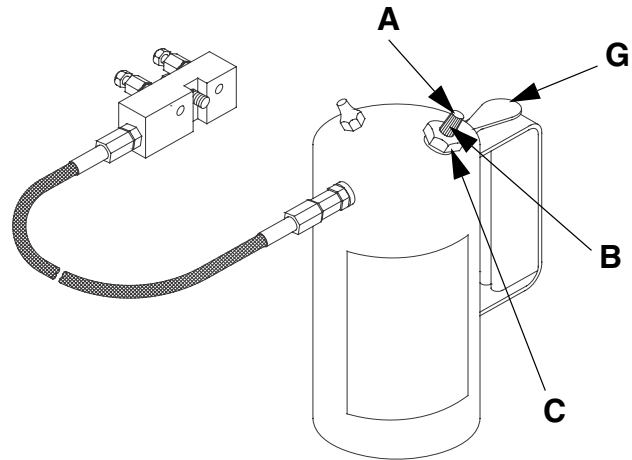
#### CAUTION

Never disconnect air hose from tank while tank is pressurized without first closing air needle valves. Failure to do so may result in contamination or air system with chemical. When depressurizing tank, always bleed off pressure slowly and avoid direct contact with fumes.

### 1 Quart Cup (Model 296980)

						
---	---	--	--	--	--	--

1. Unscrew plastic cap (A) from air valve (B) in fill cap (C).



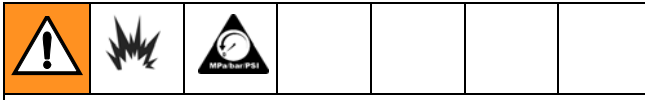
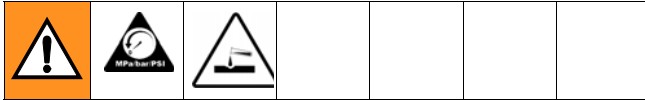
**FIG. 3: 1 Quart Solvent Cup**

2. Depress valve stem (B) until you no longer hear air escaping.
3. Loosen fill cap (C) slightly to relieve any remaining air.
4. Remove fill cap (C) completely.



# Operation

Allow chemicals in spray gun to cool before cleaning.



Do not overpressurize container. The safety valve will automatically open if pressure exceeds its factory-set level.

Use air to pressurize container. Do not use carbon dioxide or nitrogen.




To avoid static sparking that may result in fire or explosion, ensure all equipment in cleaning procedure is grounded. Do not clean on or near foamed or coated surfaces or any other flammable surfaces or objects.

## Fill 1 Quart Solvent Cup


1. Relieve solvent container pressure. See page 8.
2. Remove fill cap (C) from solvent container. Fill container 2/3 full with compatible sol-

vent. Retighten fill cap (C) snugly. See FIG. 3.

 At least 1/3 of container must be empty so it can be pressurized with air.

## Flush Gun

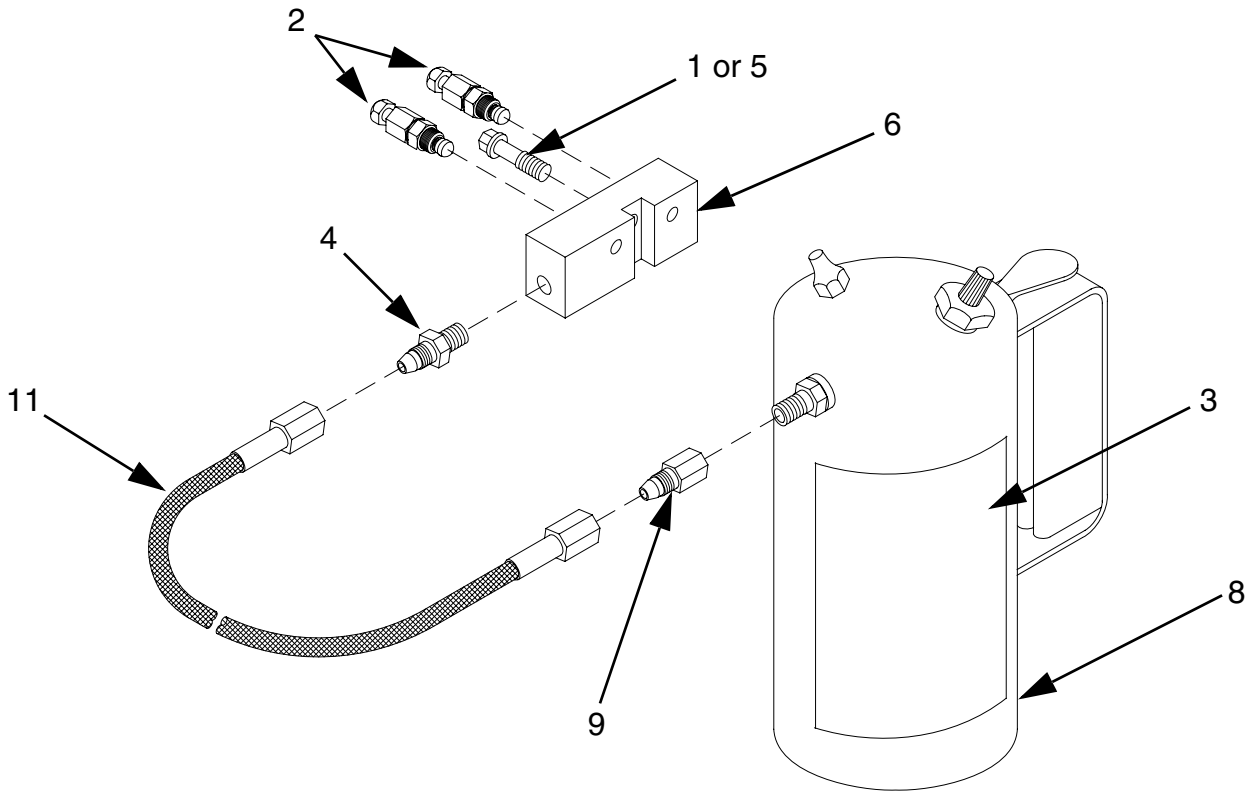
1. Set safety stop to CLOSED (SERVICE).
2. Close both manual valves.
3. Remove gun from coupling block.
4. Attach service block of gun service kit to spray gun, and then tighten using 5/16 in. nut driver.
5. Pressurize Service Kit container. **DO NOT EXCEED MAXIMUM RATED PRESSURE.**  
 3 Gallon Tank: pressurize up to 90 psi (0.63 MPa, 6.3 bar).  
 1 Quart Cup: pressurize up to 120 psi (0.83 MPa, 8.3 bar).
6. Open one manual valve on service block.
7. Connect air to gun. Set safety stop to OPEN.
8. Hold gun against grounded waste container.
9. Trigger gun and spray into waste container until there is a fine, unobstructed mist of gun cleaner.

 For 1 Quart Cup only: trigger solvent container valve (G) to control solvent flow. See FIG. 3.

10. Release trigger and close manual valve on service block.
11. Repeat steps 8-10 for other side of gun.
12. After initial cleaning, remove air cap, PCD retainer, and PCD. Flush a second time to ensure thorough cleaning.
13. Remove service block of gun service kit from spray gun.
14. Set safety to CLOSED (SERVICE).
15. Disconnect gun air supply.

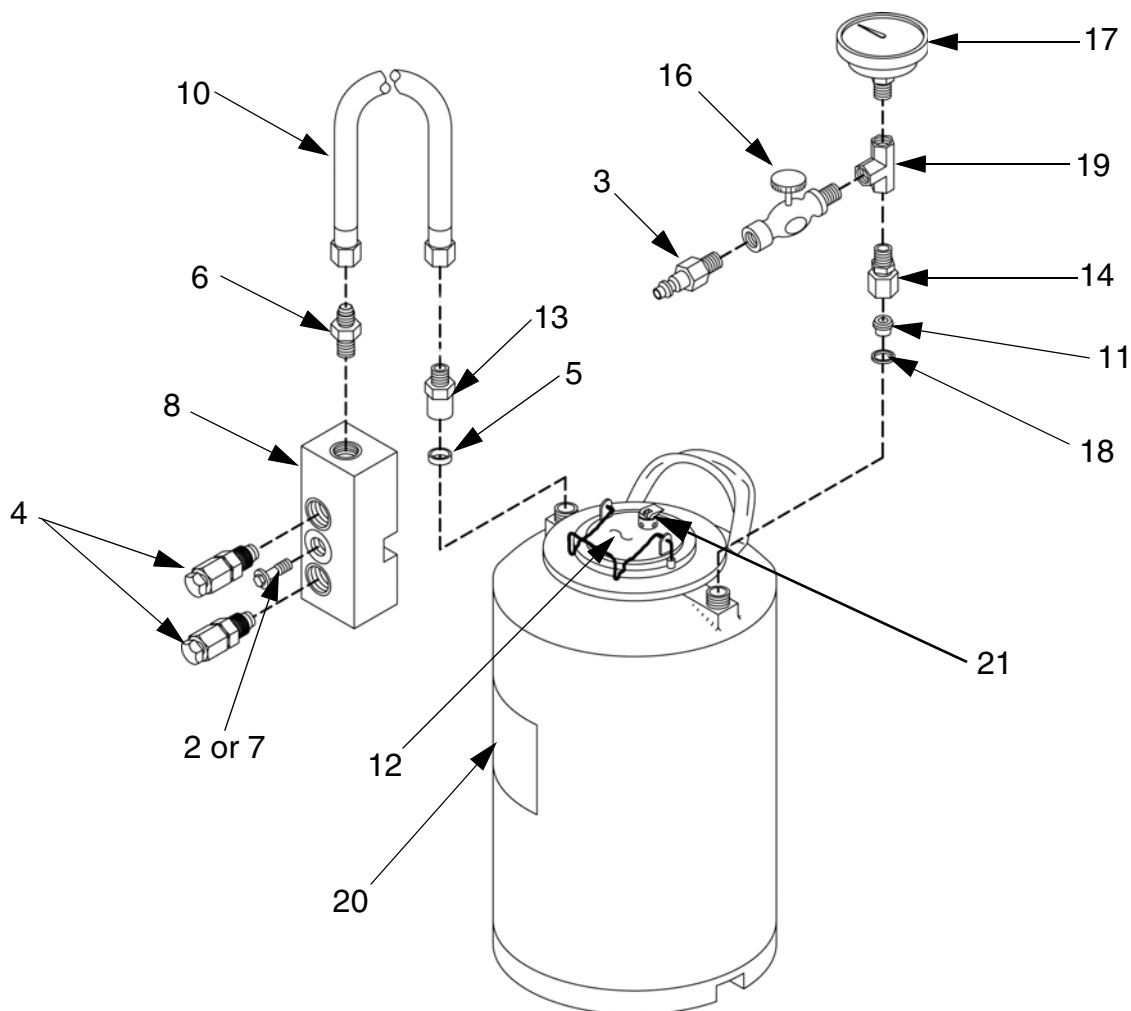
# Parts

## Part No. 296980



Ref. No.	Part No.	Description	Qty.	Ref. No.	Part No.	Description	Qty.
				6	297062	BLOCK, service	1
				8	108047	SPRAYER, solvent flush	1
				9	180664	FITTING, adapter	1
				10	150136	CHUCK, air, 1/4 npt (not shown)	1
				11	243803	HOSE, 3/16 in; 3 ft (1 m)	1
1	296979	SCREW, mounting, block, coupling (2 pack) (GX-7 gun only)	-	▲ Replacement Danger and Warning labels, tags, and cards are available at no cost.			
2	296626	VALVE, assembly, manual (2 pack)	-				
3▲	180716	LABEL, warning	1				
4	191872	FITTING, nipple, 1/8 npt x 1/8 npsm	1				
5	297058	SCREW, coupling block (D gun only)	1				

## Part No. 296981



Ref. No.	Part No.	Description	Qty.	Ref. No.	Part No.	Description	Qty.
1	297108	GASKET, cover (not shown)	1	11	297072	BUSHING	1
2	296979	SCREW, mounting, block, coupling (2 pack) (GX-7 gun only)	-	12	297073	TANK, 3 gallon	1
3	295596	PLUG, coupler	1	13	297074	FITTING, adaptor	1
4	296626	VALVE, assembly, manual (2 pack)	-	14	297075	FITTING, adaptor, swivel	1
5	296128	GASKET, block, gasket (2 pack)	-	16	297080	VALVE, needle	1
6	191872	FITTING, nipple, 1/8 npt x 1/8 npsm	1	17	C36260	GAUGE, pressure, 1/4 npt 0-160 psi	1
7	297058	SCREW, coupling block (D gun only)	1	18	297082	O-RING, #109, fluoroelastomer	1
8	297062	BLOCK, service	1	19	297083	FITTING, tee, 1/4 npt	1
10	243803	HOSE, 3/16 in.; 3 ft (1 m)	1	20▲	297084	LABEL, warning, tank	1
				21	297103	VALVE, relief, pressure	1

▲ Replacement Danger and Warning labels, tags, and cards are available at no cost.

# Technical Data

<b>Category</b>	<b>Data</b>
Maximum Fluid Working Pressure	Part No. 296980: 120 psi (0.83 MPa, 8.3 bar) Part No. 296981: 90 psi (0.63 MPa, 6.3 bar)
Maximum Air Operating Pressure	Part No. 296980: 120 psi (0.83 MPa, 8.3 bar) Part No. 296981: 90 psi (0.63 MPa, 6.3 bar)
Wetted Parts	Carbon steel, stainless steel, aluminum, nylon, acetal
Wetted Parts (hose only)	Brass, ptfе

# Graco Standard Warranty

Graco warrants all equipment referenced in this document which is manufactured by Graco and bearing its name to be free from defects in material and workmanship on the date of sale to the original purchaser for use. With the exception of any special, extended, or limited warranty published by Graco, Graco will, for a period of twelve months from the date of sale, repair or replace any part of the equipment determined by Graco to be defective. This warranty applies only when the equipment is installed, operated and maintained in accordance with Graco's written recommendations.

This warranty does not cover, and Graco shall not be liable for general wear and tear, or any malfunction, damage or wear caused by faulty installation, misapplication, abrasion, corrosion, inadequate or improper maintenance, negligence, accident, tampering, or substitution of non-Graco component parts. Nor shall Graco be liable for malfunction, damage or wear caused by the incompatibility of Graco equipment with structures, accessories, equipment or materials not supplied by Graco, or the improper design, manufacture, installation, operation or maintenance of structures, accessories, equipment or materials not supplied by Graco.

This warranty is conditioned upon the prepaid return of the equipment claimed to be defective to an authorized Graco distributor for verification of the claimed defect. If the claimed defect is verified, Graco will repair or replace free of charge any defective parts. The equipment will be returned to the original purchaser transportation prepaid. If inspection of the equipment does not disclose any defect in material or workmanship, repairs will be made at a reasonable charge, which charges may include the costs of parts, labor, and transportation.

**THIS WARRANTY IS EXCLUSIVE, AND IS IN LIEU OF ANY OTHER WARRANTIES, EXPRESS OR IMPLIED, INCLUDING BUT NOT LIMITED TO WARRANTY OF MERCHANTABILITY OR WARRANTY OF FITNESS FOR A PARTICULAR PURPOSE.**

Graco's sole obligation and buyer's sole remedy for any breach of warranty shall be as set forth above. The buyer agrees that no other remedy (including, but not limited to, incidental or consequential damages for lost profits, lost sales, injury to person or property, or any other incidental or consequential loss) shall be available. Any action for breach of warranty must be brought within two (2) years of the date of sale.

**GRACO MAKES NO WARRANTY, AND DISCLAIMS ALL IMPLIED WARRANTIES OF MERCHANTABILITY AND FITNESS FOR A PARTICULAR PURPOSE, IN CONNECTION WITH ACCESSORIES, EQUIPMENT, MATERIALS OR COMPONENTS SOLD BUT NOT MANUFACTURED BY GRACO.** These items sold, but not manufactured by Graco (such as electric motors, switches, hose, etc.), are subject to the warranty, if any, of their manufacturer. Graco will provide purchaser with reasonable assistance in making any claim for breach of these warranties.

In no event will Graco be liable for indirect, incidental, special or consequential damages resulting from Graco supplying equipment hereunder, or the furnishing, performance, or use of any products or other goods sold hereto, whether due to a breach of contract, breach of warranty, the negligence of Graco, or otherwise.

## **FOR GRACO CANADA CUSTOMERS**

The Parties acknowledge that they have required that the present document, as well as all documents, notices and legal proceedings entered into, given or instituted pursuant hereto or relating directly or indirectly hereto, be drawn up in English. Les parties reconnaissent avoir convenu que la rédaction du présente document sera en Anglais, ainsi que tous documents, avis et procédures judiciaires exécutés, donnés ou intentés, à la suite de ou en rapport, directement ou indirectement, avec les procédures concernées.

# Graco Information

For the latest information about Graco products, visit [www.graco.com](http://www.graco.com).

**TO PLACE AN ORDER**, contact your Graco distributor or call to identify the nearest distributor.

**Phone:** 612-623-6921 **or Toll Free:** 1-800-328-0211 **Fax:** 612-378-3505

*All written and visual data contained in this document reflects the latest product information available at the time of publication. Graco reserves the right to make changes at any time without notice.*

*For patent information, see [www.graco.com/patents](http://www.graco.com/patents).*

Original instructions. This manual contains English. MM 311340

**Graco Headquarters:** Minneapolis

**International Offices:** Belgium, China, Japan, Korea

**GRACO INC. AND SUBSIDIARIES • P.O. BOX 1441 • MINNEAPOLIS MN 55440-1441 • USA**  
**Copyright 2005, Graco Inc. All Graco manufacturing locations are registered to ISO 9001.**

[www.graco.com](http://www.graco.com)

Revised February 2013

Download from [www.Son Manuals.com](http://www.Son Manuals.com). All Manuals Search And Download.

## Free Manuals Download Website

<http://myh66.com>

<http://usermanuals.us>

<http://www.somanuals.com>

<http://www.4manuals.cc>

<http://www.manual-lib.com>

<http://www.404manual.com>

<http://www.luxmanual.com>

<http://aubethermostatmanual.com>

Golf course search by state

<http://golfingnear.com>

Email search by domain

<http://emailbydomain.com>

Auto manuals search

<http://auto.somanuals.com>

TV manuals search

<http://tv.somanuals.com>