

Ikelite Digital Housing

instruction manual

#6138 for Olympus D-230

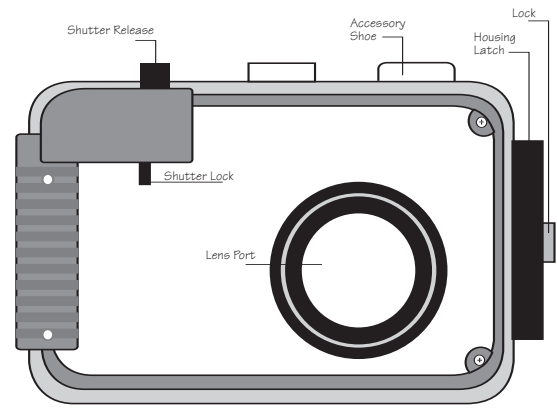


Congratulations on your purchase of an Ikelite Digital Camera Housing. Ikelite has over 30 years of experience in the underwater photographic and lighting market. Our products are designed and built in the USA by Ikelite for both the professional and amateur photographer.

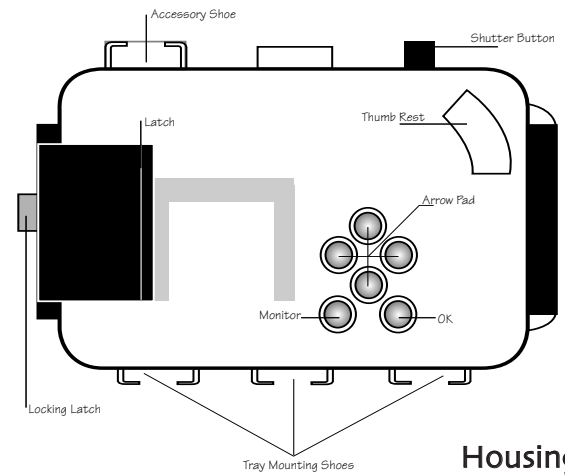
The clear housing permits instant visual inspection of the camera and all sealing surfaces as well as complete monitoring of controls and camera LCD screens.

This housing has been water pressure tested at the factory.

Housing is pressure tested to 125' (38m).



Housing Front

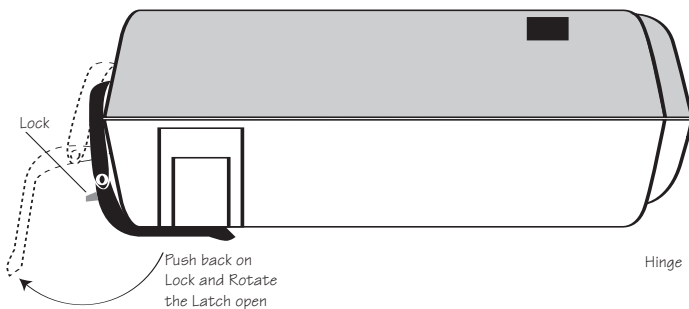


Housing Back

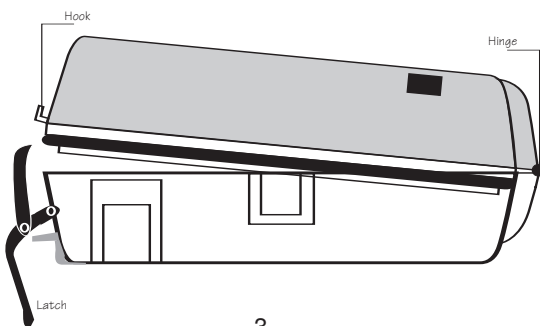
2

Opening the Housing

Push back on the lock and lift the latch. Unhook the latch from the front of the housing. The two halves of the housing will now swing open.



Opening the Housing



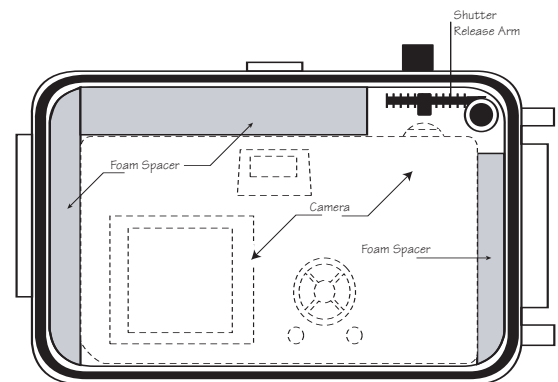
3

Installing the Camera

Slide the camera's Lens Barrier OPEN, this turns the camera ON.

NOTE: There is no provision in the housing for sliding the Lens Barrier once the camera is in the housing.

With the housing face down place the right edge of the camera into the housing as far forward as possible and against the foam spacer on the right. Gently push the left edge of the camera into the housing with the base of the camera against the bottom of the housing. The top foam spacer and the front rubber spacers hold the camera in position.

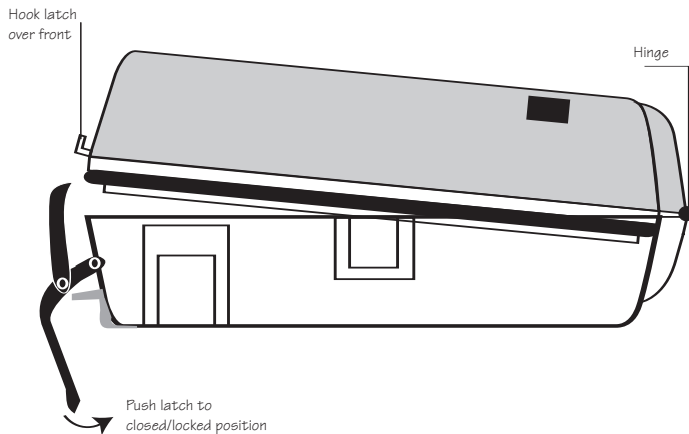


Installing the Camera

4

Closing the Housing

Once the camera is firmly installed in the front half of the housing, the housing can be closed. Check that the o'ring is properly located when closing the housing. Place the Latch over the Hook on the front of the camera and push the Latch closed as shown below. The red lock should protrude through the opening in the Latch and snap into place locking the Latch.



Closing the Housing

5

Lubricants

1. Ikelite provides silicone lubricant with the housing. We recommend that you use only Ikelite lubricant on Ikelite products as some other brands may cause the o'ring to swell and not seal properly.
2. Use only enough lubricant to lightly coat the o'ring. Wipe off any excess lubricant with a clean cloth. Lubricant is not a sealant, it is used to reduce friction. Excessive lubricant can collect sand and dirt which may interfere with proper sealing.

CAUTION

Never use spray lubricants as the propellant ingredient can cause the plastic housing to crack.

7

Checking the Installation

The nice thing about digital cameras is that you can practice taking pictures and it does not cost anything. You can just review your pictures to see that everything is working and then delete them. If the housing is new it is a good idea to take a few pictures above water to get familiar with the housing and the controls.

Before entering the water check :

1. The camera's Lens Barrier is fully open and the camera is ON
2. The o'ring is sealed properly
3. The housing controls are aligned properly

Shutter Release

The camera's shutter release button operates in two stages. When depressed halfway it activates the camera's exposure meter and focus. When depressed fully it takes the picture. This half stop of the shutter release is more easily felt when using the camera out of the housing. But with some practice you can feel the half stop when the camera is in the housing. The camera's shutter release requires only minimal pressure to activate. With the additional leverage of the housing's shutter release control you can put undue force on the camera's shutter release button. This can result in damage to the camera. Some digital cameras have a noticeable lag time between when you push the shutter release button and when the camera starts to do something. It is human nature to push harder when the camera does not instantly respond. Take several pictures with the camera in the housing, paying special attention to the feel of the shutter release. It only requires a very light touch.

6

Maintenance

The Ikelite Digital Housing should be given the same care and attention as your other photographic equipment. In addition to normal maintenance we recommend that the housing be returned to Ikelite periodically to be checked and pressure tested.

1. **Do Not** leave the camera and housing in direct sunlight for prolonged periods. Heat may damage the camera.
2. **Do Not** ship the camera in the housing.
3. Keep the back o'ring clean and lightly lubricated. To lubricate remove the o'ring from the back. Put a small amount of Ikelite lubricant on your fingers. Draw the o'ring through your fingers to apply a light coating of lubricant. Only apply enough lubricant to make the o'ring feel slick. **Do Not stretch the o'ring.** This light coating of lubricant will help to keep the o'ring from drying out and will help to show a dark sealing line when the housing back is properly sealed.
4. Keep the area where the o'ring fits and the sealing surface of the housing clean.
5. Rinse the housing exterior thoroughly in fresh water after each salt water use. Dry with a soft cloth. Dry lens port to eliminate water spotting. After several uses in salt water soak the housing in a mild soap solution, rinse and dry before storage. When storing the housing, remove the back o'ring, lightly lubricate and place in a plastic bag. Place the plastic bag with o'ring inside the housing for safe keeping.

CAUTION

Never use spray lubricants as the propellant ingredient can cause the plastic housing to crack.

8

General Tips

1. Due to the power required to operate the camera, flash, and LCD screen it is a good idea to start each dive with a fresh set of batteries. (see camera manual).
2. As soon as you enter the water, take a moment and check the housing to see that it is properly sealed.
3. Next, check to see if there are any bubbles on the face of the lens port. If there are, take your finger and remove them. *If there are bubbles on the lens port they can produce soft focus spots in your photographs.*
4. Use the macro mode for photographs closer than 1.5 feet (45cm).
5. Shoot pictures at the highest resolution. Several printing methods require high resolution. It is easy to reduce the size and resolution, but almost impossible to increase size and resolution from a small file and obtain a satisfactory result.

9

Photo Tips

1. The number one rule in underwater photography is eliminate as much water between camera and subject as possible. Get as close as you can to the subject, then use the zoom. If you are using flash, subjects beyond 5-6 feet (1.8m) will not have much color.
2. Digital cameras have a slight lag time between when you press the shutter release button and the camera actually takes the picture. Hold the camera steady a second or two after pressing the shutter release button.
3. Do not shoot down on subjects as they will quite often blend into the background and be difficult to see in the photograph. Shoot subjects straight on or shoot up at a slight angle using the blue water as a contrasting background.
4. Underwater flash is used to restore the warmer colors filtered out by the water as well as to illuminate the subject. When photographing underwater, set the camera to use flash on every shot.

11

General Tips cont.

6. Much is written about reviewing pictures on the LCD screen right after taking them and deleting the bad ones. While it is some what possible to evaluate your picture on the LCD screen, taking the time to eliminate the bad ones may not be the best approach. In bright sunlight the LCD screen can be difficult to see and underwater one does not have a lot of time to spend eliminating photographs. A better solution is to purchase a large memory card (film) that will allow you to take 100 plus pictures in the High Quality mode. For most divers this would be enough storage space for pictures from a couple of dives. With a larger card you can check the picture, if it isn't what you want you don't have to spend time deleting the picture, you can spend that time concentrating on the subject and how to take a better picture. Photos are best evaluated on a computer screen.

10

Ikelite Limited Warranty

All Ikelite products are warranted against any manufacturing defects for a period of one (1) year from the date of purchase. Defective products should be returned prepaid to Ikelite. Ikelite will, at its discretion, repair or replace such products, and will return to customer prepaid. All other claims, of any nature, including but not limited to bulb failure are not covered. Except as mentioned above, no other warranty expressed or implied, applies to this Ikelite product.

Returning Products for Service

Ikelite is most interested in performing any service to assure that all products perform as intended. For repair or service, return the product to the address below with your name, address, phone number and a brief description of the problem. Evidence of purchase date must be provided to obtain warranty service.

Ikelite Underwater Systems
50 W 33rd Street
Indianapolis, IN 46208 USA
317-923-4523
email: ikelite@ikelite.com
www.ikelite.com

Free Manuals Download Website

<http://myh66.com>

<http://usermanuals.us>

<http://www.somanuals.com>

<http://www.4manuals.cc>

<http://www.manual-lib.com>

<http://www.404manual.com>

<http://www.luxmanual.com>

<http://aubethermostatmanual.com>

Golf course search by state

<http://golfingnear.com>

Email search by domain

<http://emailbydomain.com>

Auto manuals search

<http://auto.somanuals.com>

TV manuals search

<http://tv.somanuals.com>