

Food Processor

Robot culinaire

Procesador de alimentos



English..... 2

USA: 1-800-851-8900

Français..... 14

Canada : 1-800-267-2826

Español 26

México: 01 800 71 16 100

Le invitamos a leer cuidadosamente este instructivo antes de usar su aparato.

840122300

IMPORTANT SAFEGUARDS

When using electrical appliances, basic safety precautions should always be followed, including the following:

1. Read and save all instructions.
2. To protect against risk of electrical shock, do not immerse base, motor, cord, or plug in water or other liquid.
3. Close supervision is necessary when any appliance is used by or near children.
4. This appliance should not be used by children.
5. Unplug cord from outlet when not in use, before putting on or taking off parts, and before cleaning.
6. Avoid contacting moving parts.
7. Do not operate any appliance with a damaged cord or plug or after the appliance malfunctions or is dropped or damaged in any manner. Call our toll-free customer service number for information on examination, repair or electrical or mechanical adjustment.
8. The use of attachments not recommended or sold by Hamilton Beach/Proctor-Silex, Inc. may cause fire, electric shock, or injury.
9. Do not use your food processor if any part is broken.
10. Do not use appliance outdoors.
11. Do not let cord hang over edge of table or counter, or touch hot surfaces.
12. Never feed food into food chute by hand when slicing or shredding food. Always use food pusher.
13. The blade and disc are sharp. Handle carefully. Store out of reach of children.
14. Make sure the blade or disc has come to a full stop before removing cover.
15. Be certain cover is securely locked in place before operating appliance.
16. To reduce the risk of injury, never place cutting blade or disc on base without first putting bowl properly in place.
17. Keep hands and utensils away from moving blade and disc while processing food to reduce the risk of severe personal injury and/or damage to the food processor. A rubber scraper may be used but **ONLY** when the food processor is not running.
18. Do not attempt to defeat the cover interlock mechanism.
19. To reduce the risk of injury, be sure to insert or remove blade and disc using hubs provided for this purpose. Use caution when removing blade and disc from the bowl, when emptying the bowl, and when cleaning.
20. Be sure to turn switch to OFF position after each use. Always use the pusher to clear the food chute. When this method is not possible, turn the motor off and disassemble unit to remove the remaining food.
21. The appliance is not intended for commercial, professional or industrial use. It is designed and built exclusively for domestic use only.
22. Never use appliance for a longer period or with a larger amount of ingredients other than that recommended by Hamilton Beach/Proctor-Silex, Inc.
23. The maximum rating of this unit is based on using the Chopping/Mixing Blade. Using the Slicing/Shredding Disc may draw significantly less power.
24. Do not place on or near a hot gas or electric burner or in a heated oven.
25. Do not use appliance for other than intended use.

SAVE THESE INSTRUCTIONS!

Consumer Safety Information

This appliance is intended for household use only.

This appliance is equipped with a polarized plug. This type of plug has one blade wider than the other. The plug will fit into an electrical outlet only one way. This is a safety feature intended to help reduce the risk of electrical shock. If you are unable to insert the plug into the outlet, try reversing the plug. If the plug should still fail to fit, contact a qualified electrician to replace the obsolete outlet. Do not attempt to defeat the safety purpose of the polarized plug by modifying the plug in any way.

To avoid an electrical circuit overload, do not use another high wattage appliance on the same circuit with your food processor.

The length of the cord used on this appliance was selected to reduce the hazards of becoming tangled in, or tripping over a longer cord. If a longer cord is necessary, an approved extension cord may be used.

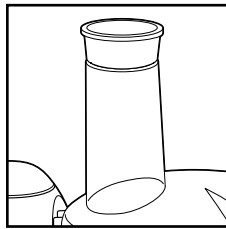
The electrical rating of the extension cord must be equal to or greater than the rating of the food processor. Care must be taken to arrange the extension cord so that it will not drape over the countertop or tabletop where it can be pulled on by children or accidentally tripped over.

Before First Use

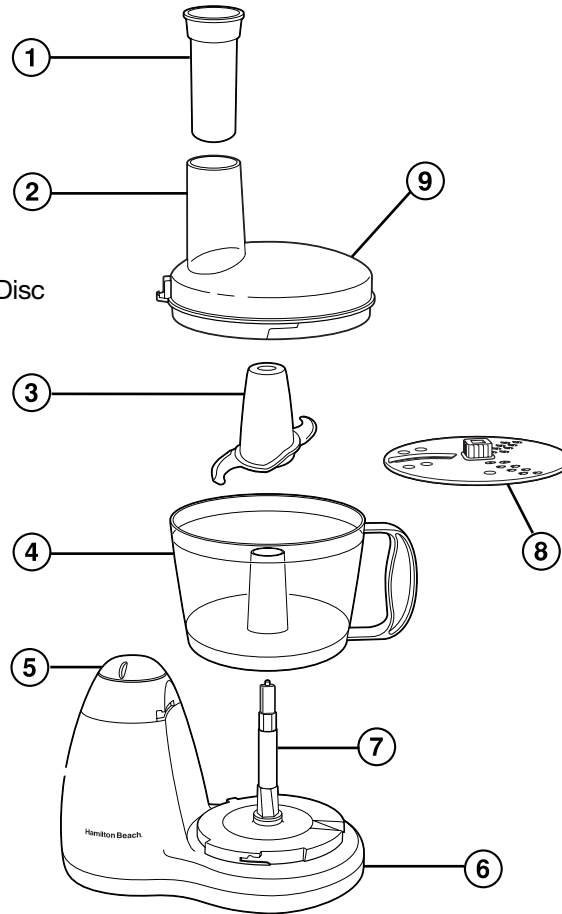
Unpack processor. Handle Chopping/Mixing Blade and Slicing/Shredding Disc carefully; they are very sharp. Wash all parts except base in hot, soapy water. Rinse then dry. These parts may also be washed in dishwasher.

Parts and Features

1. Food Pusher
2. Food Chute
3. Chopping/Mixing Blade
4. Bowl
5. Rotary Switch
6. Base
7. Motor Shaft
8. Reversible Slicing/Shredding Disc
9. Lid



**Food Pusher in
Food Chute**

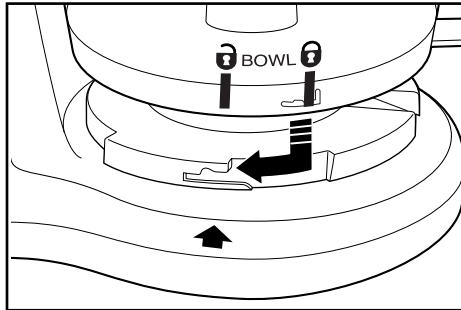


Hints!

- The bowl will hold 6 cups (1.5 L) of dry ingredients or 2 cups (500 ml) of liquid. Do not overfill.
- Do not use your food processor to crush ice.
- For consistent texture, foods should be cut into 1-inch (2.5 cm) cubes before mincing or chopping with the Chopping/Mixing Blade.
- Do not use your food processor to make bread or cookie dough.

Using Your Food Processor

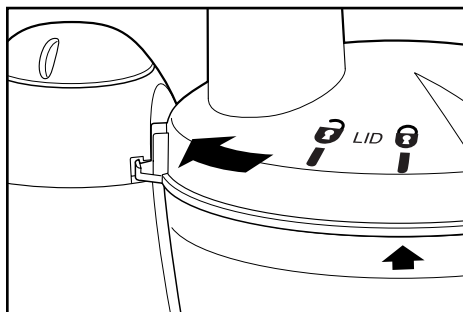
How to Lock the Bowl



Align base and bowl as illustrated. Turn bowl clockwise until it locks into place.

NOTE: The food processor will not work unless the bowl is locked into position.

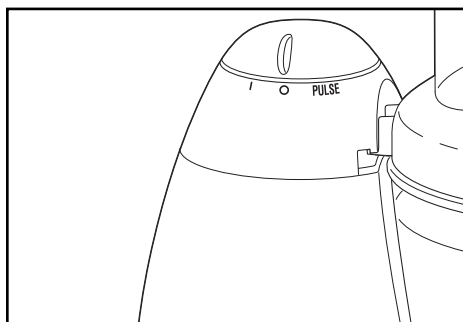
How to Lock the Cover



Align cover as illustrated. Place cover on bowl and turn clockwise until it locks into place.

NOTE: The food processor will not work unless the cover is locked into position.

How to Operate the Controls

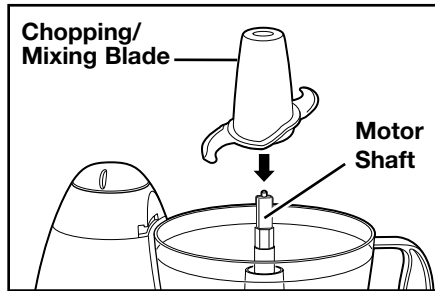


The control is conveniently located on top of the base. Rotate the knob to select PULSE or ON. The processor will run continuously when set to ON. For instant on and off control, use the PULSE setting.

Processing Using Chopping/Mixing Blade

The Chopping/Mixing Blade can be used to coarsely chop, finely mince, mix, or puree food to a smooth consistency.

1. Make sure the Control Switch is turned to OFF and the unit is unplugged.
2. Lock the bowl onto base. (See “How to Lock the Bowl” on page 5.)
3. Place the Chopping/Mixing Blade onto motor shaft of food processor in center of bowl. Turn slowly until blade drops into place. **Handle carefully: the blade is sharp.**



4. Lock cover onto bowl. (See “How to Lock the Cover” on page 5.) Insert food pusher into food chute.

5. Plug in unit and process food.
The processing time will determine the finished consistency of the food. The Pulse setting can help you avoid overprocessing.

NOTES:

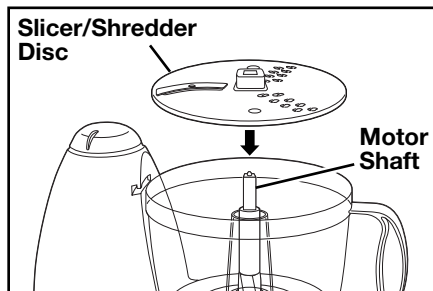
- Always use the food pusher to feed food into the chute. **NEVER PUSH FOOD THROUGH CHUTE WITH HANDS.**
- Wait until blade has stopped rotating before removing cover.

Processing Using Slicer/Shredder Disc






- To slice or shred cheese, select firm cheese like cheddar, monterey jack, or swiss. Place cheese in freezer for 30 minutes before processing.
- The Reversible Slicer/Shredder Disc has a slicing blade on one side and shredding teeth on the other. Place on motor shaft with desired cutting edge facing up.
- To julienne vegetables, slice then remove from bowl and restack the vegetables. Pack into food chute with slices vertical. Slice again to make match-stick cut vegetables.

1. Make sure the Control Switch is turned to OFF and the unit is unplugged.
2. Lock the bowl onto base. (See "How to Lock the Bowl" on page 5.)
3. Put Slicer/Shredder Disc on motor shaft with the desired side facing up for either slicing or shredding. **Handle carefully: the blade is sharp.** Lock cover onto bowl. (See "How to Lock the Cover" on page 5.)
4. Cut food to fit food chute. Pack food chute tightly with food. Insert food pusher in chute. **Always use the food pusher to feed food into the chute. NEVER PUSH FOOD THROUGH CHUTE WITH HANDS.**
5. Plug in unit and process food.
6. While pressing on food pusher, select ON or PULSE to process food.
7. When food chute is empty, select OFF or release from PULSE position. **Wait until blade has stopped rotating before removing cover.**



Food Processing Charts

ATTACHMENT	FOODS
Slicer disc (slicing blade facing up) 	Cucumbers, apples, mushrooms, vegetables, potatoes, cabbage
Chopping/Mixing Blade 	Chop nuts, mince vegetables, fruit mushrooms, carrots
	Chop cooked meat, puree food, grate cheese
Shredder disc (shredding teeth facing up) 	Vegetables, cabbage
	Firm cheeses

For best results do not exceed the following amounts when chopping, mincing, or pureeing with the **Chopping/Mixing Blade**.

FOOD	MAXIMUM AMOUNT
Fruits and vegetables	1 pound or 2 to 3 cups (450 g or 500 to 750 ml)
Meats (cooked)	12 ounces or 1½ cups, cubed (350 g or 375 ml)
Parmesan or Romano cheese	5 ounces (140 g), cubed
Cheddar, Jack, or Mozzarella cheese	8 ounces (225 g), cubed

Processing Tips and Techniques

- For a uniform consistency when chopping, leave room in the bowl for the food to be tossed around.
- Also for a more uniform consistency, start with pieces of food that are similar in size. Carrots, for example, should all be cut in 1-inch (2.5 cm) chunks. Do not process 4-inch (10 cm) pieces with ½-inch (1 cm) pieces.
- This food processor is excellent to chop, mix, slice, or shred most foods. However, to maintain peak performance, do not use your food processor for the following: grinding grain, coffee beans or spices; slicing frozen meat; or crushing ice.
- Do not puree or mash starchy vegetables like potatoes. They will be over-processed in a second and turn gummy.
- Operating time will depend on quantity of food being processed. Most foods can be sliced, chopped, or shredded in seconds. Do not operate processor for more than 1 minute at a time. If processing large quantities, let the processor rest about 1 minute before continuing.
- Do not make bread dough or cookie dough in this food processor. It may damage the unit.

Cleaning

1. Wash the bowl, lid, Chopping/Mixing Blade, Slicing/Shredding Disc, and food pusher in hot, soapy water. Rinse and dry thoroughly. These parts may also be washed in a dishwasher.
2. Wipe the base, controls, and cord with a damp cloth or sponge. To remove stubborn soil, use a mild non-abrasive cleanser. NEVER IMMERSE THE BASE IN WATER OR OTHER LIQUID.
3. To store, place bowl on base. Then place onto the motor shaft, the Chopping/Mixing Blade, or Slicing/Shredding Disc. Place lid on bowl but do not lock.

NOTES:

- Do not store the food processor with the lid on the locked position, as this may put strain on the interlock tab.

Recipes

Hummus

2 cloves garlic	2 teaspoons (10 ml) olive oil
2 green onions, white portion and half of green top	¼ teaspoon (1.25 ml) cumin
15-ounce (425 g) can garbanzo beans (chick peas), drained	Dash cayenne
¼ cup (60 ml) tahini (sesame paste), stirred	Salt and pepper to taste
3 to 4 tablespoons (45 to 60 ml) lemon or lime juice	Dash paprika
	Pita bread or cut up vegetables, optional

Using Chopping/Mixing Blade and with processor running, drop garlic cloves and onion into food chute. Then add garbanzo beans, tahini, lemon or lime juice, olive oil, cumin, cayenne, salt, and pepper. Continue to process until smooth, scraping bowl as needed. Place into serving bowl and garnish with paprika. Serve with pita bread and/or vegetables. To store, refrigerate. **Makes about 2 cups (500 ml) .**

Salsa

1 onion, peeled and quartered	¼ cup (60 ml) cilantro, packed
1 clove garlic	½ teaspoon (2.5 ml) cumin
1 hot pepper (jalapeno or finger hot), cored, seeded and quartered	1 tablespoon (15 ml) lime juice
4 tomatoes, quartered	Salt and pepper to taste
	Hot sauce, optional

Using Chopping/Mixing Blade and with processor running, drop onion, garlic cloves, and hot pepper through the food chute and chop until finely minced. Stop processor. Add tomatoes, cilantro, cumin, lime juice, salt, and pepper. Pulse until desired texture. Add hot sauce if desired. **Makes 2 to 3 cups (500 to 750 ml) .**



Potato Leek Soup

3 pounds (1.35 kg) potatoes, peeled	1½ (7.5 ml) teaspoons salt
3 to 4 leeks, both root and leaf ends trimmed	¼ (1.25 ml) teaspoon pepper
8 ounces (225 g) bacon	½ (125 ml) cup milk
2 quarts (2 L) water	3 tablespoons (45 ml) flour

Using slicer/shredder disc, slicing side up, slice potatoes. Remove to large mixing bowl and cover with cold water. Set aside. Slice leeks. To clean leeks, place in a colander and toss gently under running water. In a soup pot or Dutch oven, cook bacon until crisp. Remove bacon and set aside. Add the leeks to the bacon grease in the pot. Cook and stir occasionally over medium heat for about 10 minutes. Increase heat to high and add water, potatoes, salt, and pepper. Bring soup to a boil then reduce heat and simmer, uncovered, for 15 to 20 minutes. In a small bowl, whisk together milk with flour. Slowly stir milk mixture into simmering soup and simmer for 5 minutes. Garnish with crumbled bacon bits. **Makes 6 to 8 servings.**



Lentil Soup

½ pound (225 g) bacon	16-ounce (450 g) bag lentils
1 large onion	2 quarts (2 L) water
6 parsnips, peeled, ends removed, cut into 1-inch (2.5 cm) pieces	1 bay leaf
8 celery ribs with leaves	1 teaspoon (5 ml) salt
6 carrots, ends removed	Sour cream, optional

In a soup pot or Dutch oven, cook bacon until crisp. Remove and reserve 4 slices of bacon to be used as garnish. Leave bacon drippings in pot. Using Chopping/Mixing Blade, chop onions and parsnips. Add chopped onions and parsnips to bacon drippings in pot and cook over medium heat until softened, about 7 minutes. Using slicer/shredder disc, slicing side up, slice celery and carrots. Add the celery, carrots, lentils, water, bay leaf, and salt to onion mixture. Bring to boil then reduce heat and simmer, covered, for 40 minutes. At serving time, garnish with sour cream and crumbled bacon. **Makes 8 servings.**

NOTE: Lentils do not need to be soaked overnight.

Vegetable Lasagna



- | | |
|---|---|
| 8 ounces (225 g) reduced-fat mozzarella cheese | 8-ounce (225 g) package light cream cheese, cut into chunks |
| 1 medium onion, peeled, cut into chunks | $\frac{3}{4}$ cup (175 ml) skim milk ricotta cheese |
| 4 garlic cloves | $\frac{1}{2}$ cup (125 ml) light sour cream |
| 4-6 ounces (115 to 170 g) fresh mushrooms | 1 egg |
| 1 teaspoon (5 ml) vegetable oil | 2 teaspoons (10 ml) dried Italian seasoning |
| 2 zucchini, approximately 6 inches (15 cm) each, cut into chunks | 26-ounce (735 g) can spaghetti sauce |
| 2 ounces (50 g) Parmesan cheese, cut into $\frac{1}{2}$ -inch (1 cm) chunks (about $\frac{1}{3}$ cup [80 ml]grated) | 6 lasagna noodles, cooked |

Using slicer/shredder disc, shredding side up, shred mozzarella. Place in a small bowl and set aside. Using Chopping/Mixing Blade, place onion and garlic cloves into work bowl. Pulse until coarsely chopped. Add mushrooms to bowl. Continue to pulse until mushrooms are coarsely chopped. Place chopped vegetables in a large skillet with oil, over medium heat. Using Chopping/Mixing Blade, place zucchini in work bowl. Pulse until coarsely chopped. Add zucchini to skillet. Cook until tender, about 10 minutes; set aside. Without washing the work bowl, using Chopping/Mixing Blade, place Parmesan cheese chunks in bowl and process on High until coarsely chopped. Add the cream cheese, ricotta cheese, sour cream, egg, and Italian seasonings and process until creamy, about 30 to 40 seconds. Grease a 9X13-inch (33X23 cm) baking dish. Layer half each of noodles, cream cheese mixture, chopped vegetable mixture, and spaghetti sauce. Repeat layers once. Sprinkle with mozzarella. Bake, covered, at 350°F (180°C) for 25 minutes. Uncover and cook an additional 10 minutes. Let stand 10 minutes before serving.

Makes 8 servings.

NOTE: Mozzarella cheese will shred easier if placed in freezer for one hour before shredding.

Baked Pineapple Bread Pudding



- | | |
|--|---|
| 12 slices of white bread, torn into strips to fit food chute | 1 teaspoon (5 ml) vanilla |
| 20-ounce (565 g) can pineapple chunks, drained | 1 tablespoon (15 ml) melted butter or margarine |
| 2 eggs | 1½ cups (375 ml) sugar |
| 1 cup (250 ml) half 'n half cream | 3 pineapple slices, drained |

Insert Chopping/Mixing Blade into food processor bowl and, with processor running, drop bread through food chute to make soft breadcrumbs. Pour into a greased 2-quart (2 L) casserole dish. Place pineapple chunks in food processor bowl with Chopping/Mixing Blade. Process pineapple for 20 seconds. Add eggs, cream, vanilla, melted butter or margarine, and sugar. Process until mixed. Pour pineapple mixture over soft breadcrumbs. Garnish with three pineapple rings overlapping in center. Bake at 350°F (180°C) for 1 hour or until golden. **Makes 8 servings.**

Apple Crisp



- | | |
|--|-------------------------------|
| 6 large Golden Delicious apples, peeled and cored and cut to fit in food chute (6 cups [1.5 L] sliced) | Topping: |
| 1 tablespoon (15 ml) lemon juice | ½ cup (125 ml) butter, melted |
| ½ cup (125 ml) sugar | 1 cup (250 ml) flour |
| 1 tablespoon (15 ml) flour | 1 cup (250 ml) sugar |
| 1 teaspoon (5 ml) cinnamon | 1 teaspoon (5 ml) cinnamon |
| ¼ teaspoon (1.25 ml) nutmeg | |

Using slicer/shredder disc, slicing side up, slice apples. Put apples in a large bowl. Drizzle lemon juice over apples. Sprinkle apples with sugar, flour, cinnamon, and nutmeg. Stir to mix, then put apples in ungreased 2-quart (2 L) baking dish. Using Chopping/Mixing Blade, place topping ingredients in work bowl and pulse until mixed. Crumble topping over apples. Bake at 375°F (190°C) for 30 minutes. Serve topped with vanilla ice cream. **Makes 6 servings.**

Customer Service

If you have a question about your food processor, call our toll-free customer service number. Before calling, please note the model, type, and series numbers and fill in that information below. These numbers can be found on the bottom of your food processor. This information will help us answer your question much more quickly.

MODEL: _____ **TYPE:** _____ **SERIES:** _____

This warranty applies to products purchased in the U.S. or Canada.

LIMITED WARRANTY

This product is warranted to be free from defects in material and workmanship for a period of two (2) years for Hamilton Beach Portfolio products, one (1) year for Hamilton Beach products or one hundred eighty (180) days for Proctor-Silex products from the date of original purchase, except as noted below. During this period, we will repair or replace this product, at our option, at no cost. THE FOREGOING WARRANTY IS IN LIEU OF ANY OTHER WARRANTY, WHETHER EXPRESS OR IMPLIED, WRITTEN OR ORAL INCLUDING ANY WARRANTY OF MERCHANTABILITY OR FITNESS FOR A PARTICULAR PURPOSE. ANY LIABILITY IS EXPRESSLY LIMITED TO AN AMOUNT EQUAL TO THE PURCHASE PRICE PAID, AND ALL CLAIMS FOR SPECIAL, INCIDENTAL AND CONSEQUENTIAL DAMAGES ARE HEREBY EXCLUDED. There is no warranty with respect to the following, which may be supplied with this product: glass parts, glass containers, cutter/strainer, blades, and/or agitators. This warranty extends only to the original consumer purchaser and does not cover a defect resulting from abuse, misuse, neglect, use for commercial purposes, or any use not in conformity with the printed directions. This warranty gives you specific legal rights, and you may also have other legal rights which vary from state to state, or province to province. Some states or provinces do not allow limitations on implied warranties or special, incidental or consequential damages, so the foregoing limitations may not apply to you.

If you have a claim under this warranty, DO NOT RETURN THE APPLIANCE TO THE STORE! Please call our CUSTOMER SERVICE NUMBER. (For faster service please have model, series, and type numbers ready for operator to assist you.)

CUSTOMER SERVICE NUMBERS

In the U.S. 1-800-851-8900
In Canada 1-800-267-2826

hamiltonbeach.com or proctorsilex.com

KEEP THESE NUMBERS FOR FUTURE REFERENCE!

PRÉCAUTIONS IMPORTANTES

Lors de l'utilisation d'appareils électroménagers, des précautions fondamentales de sécurité doivent toujours être observées, y compris ce qui suit :

1. Lire et conserver toutes les instructions.
2. Pour protéger contre le risque de choc électrique, ne pas immerger la base, le moteur, le cordon ou la fiche dans l'eau ou autre liquide.
3. Une bonne surveillance est nécessaire pour tout appareil utilisé par des enfants ou près d'eux.
4. Cet appareil ne doit pas être utilisé par des enfants.
5. Débrancher l'appareil de la prise de courant électrique lorsqu'il n'est pas utilisé, avant d'y placer ou d'en enlever des pièces, ou avant un nettoyage.
6. Éviter le contact avec les pièces en mouvement.
7. Ne pas faire fonctionner un appareil électroménager avec une fiche ou un cordon endommagé, ou lorsque l'appareil ne fonctionne pas bien ou a été échappé ou endommagé d'une manière quelconque. Composer notre numéro de service aux clients sans frais pour renseignements concernant l'examen, la réparation ou l'ajustement électrique ou mécanique.
8. L'utilisation d'accessoires non recommandés ni vendus par Hamilton Beach/Proctor-Silex, Inc. peut causer un incendie, un choc électrique ou des blessures.
9. Ne pas utiliser votre robot culinaire si une pièce quelconque est brisée.
10. Ne pas utiliser l'appareil à l'extérieur.
11. Ne pas laisser le cordon pendre au bord d'une table ou d'un comptoir, ni venir en contact avec des surfaces chaudes.
12. Ne jamais introduire d'aliments dans la trémie à la main pour les couper ou les hacher. Toujours utiliser le poussoir.
13. Le couteau et le disque sont coupants. Les manipuler avec soin. Les ranger hors de portée des enfants.
14. S'assurer que le couteau ou le disque sont complètement arrêtés avant d'enlever le couvercle.
15. S'assurer que le couvercle est bien verrouillé en place avant de mettre l'appareil en marche.
16. Pour réduire le risque de blessures, ne jamais mettre le couteau ou le disque tranchants sur la base avant d'avoir d'abord bien mis le bol en place.
17. Garder les mains et ustensiles à l'écart du couteau et du disque mobiles durant le traitement des aliments, pour réduire le risque de blessure corporelle grave et/ou d'endommagement du robot culinaire. On peut se servir d'un racloir en caoutchouc, mais SEULEMENT lorsque le robot culinaire ne fonctionne pas.
18. Ne pas essayer de contourner le mécanisme de verrouillage du couvercle.
19. Pour réduire le risque de blessure, veiller à insérer et retirer le couteau et le disque en se servant des moyeux prévus à cette fin. Faire attention lorsqu'on enlève le couteau et le disque du bol, lorsqu'on vide le bol et durant le nettoyage.
20. S'assurer de régler le commutateur à la position OFF (arrêt) après chaque utilisation. Toujours utiliser le poussoir pour dégager les aliments de la trémie. Lorsque cette méthode n'est pas possible, arrêter le moteur et démonter l'unité pour enlever le reste d'aliments.
21. L'appareil n'est pas destiné à l'usage commercial, professionnel ou industriel. Il est conçu et construit seulement pour l'utilisation domestique exclusivement.
22. Ne jamais utiliser cet appareil ménager pendant une période plus longue ou avec une plus grande quantité d'ingrédients que celles recommandées par Hamilton Beach/Proctor-Silex, Inc.
23. L'évaluation maximale de cet appareil est basée sur l'utilisation d'un couteau à couper/mélanger. L'utilisation du disque pour couper/hacher peut exiger beaucoup moins d'énergie.
24. Ne pas placer sur ou près d'un brûleur à gaz ou électrique ou dans un four chauffé.
25. Ne pas utiliser cet appareil pour d'autres fins que celles prévues.

CONSERVEZ CES INSTRUCTIONS!

Renseignements de sécurité aux consommateurs

Cet appareil est destiné à l'utilisation domestique seulement.

Cet appareil est muni d'une fiche polarisée. Ce type de fiche présente une broche plus large que l'autre. La fiche peut être introduite dans une prise dans un sens seulement. Il s'agit d'une caractéristique de sécurité visant à réduire le risque de choc électrique. Si la fiche ne peut pas être insérée dans la prise, la tourner dans l'autre sens. Si elle ne peut toujours pas être insérée dans la prise, contacter un électricien qualifié pour qu'il remplace la prise défectueuse. Ne pas essayer de contourner l'objectif de sécurité de la fiche polarisée en la modifiant de quelque manière que ce soit.

Pour éviter une surcharge du circuit électrique, ne pas utiliser un autre appareil électroménager à forte consommation sur le même circuit que le robot culinaire.

La longueur du cordon de cet appareil a été choisie de façon à ce que l'on ne risque pas de trébucher dessus. Si un cordon plus long est nécessaire, utiliser une rallonge appropriée. Le calibrage de la rallonge doit être le même que celui du robot culinaire ou supérieur. Lorsqu'on utilise une rallonge, s'assurer qu'elle ne traverse pas la zone de travail, que des enfants ne puissent pas tirer dessus par inadvertance et qu'on ne puisse pas trébucher dessus.

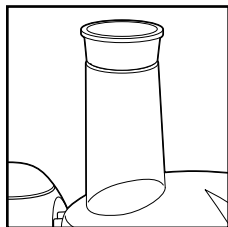
Avant l'utilisation la première fois

Retirer le robot culinaire de l'emballage. Manipuler soigneusement le couteau à couper/mélanger et le disque pour trancher/hacher; ces articles sont très coupants. Laver toutes les pièces

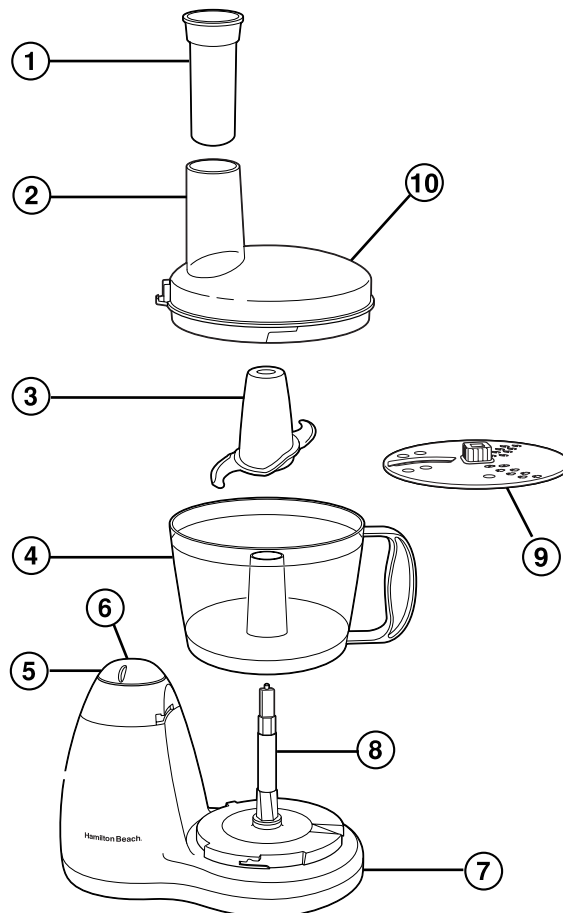
excepté la base dans de l'eau chaude savonneuse. Bien rincer et sécher. Ces pièces peuvent aussi être lavées au lave-vaisselle.

Pièces et caractéristiques

1. Poussoir
2. Trémie
3. Couteau à couper/mélanger
4. Bol
5. Commutateur rotatif
6. Réglage Pulse (pulsation)
7. Base
8. Tige motorisée
9. Disque réversible pour trancher/hacher
10. Couvercle



Poussoir à aliments dans la trémie

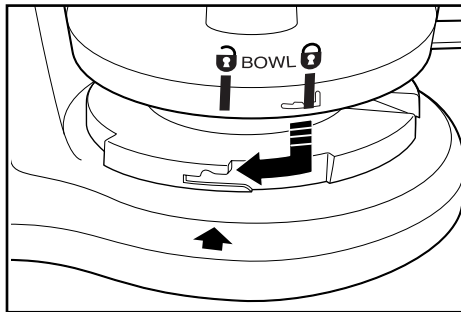


Conseils!

- Le bol peut contenir 6 tasses (1,5 L) d'ingrédients secs ou 2 tasses (500 ml) de liquide. Ne pas trop remplir.
- Ne pas utiliser le robot culinaire pour broyer des glaçons.
- Pour obtenir une consistance uniforme, les aliments doivent être coupés en cubes de 1 po (2,5 cm) avant d'être hachés ou broyés avec le couteau à couper/mélanger.
- Ne pas utiliser le robot culinaire pour mélanger de la pâte à biscuits ou à pain.

Utilisation du robot culinaire

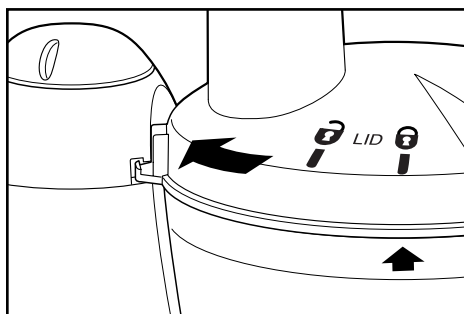
Verrouillage du bol



Aligner la base et le bol tel qu'illustré. Tourner le bol dans le sens horaire jusqu'à ce qu'il se verrouille en place.

REMARQUE : Le robot culinaire ne fonctionnera pas si le bol n'est pas verrouillé en place.

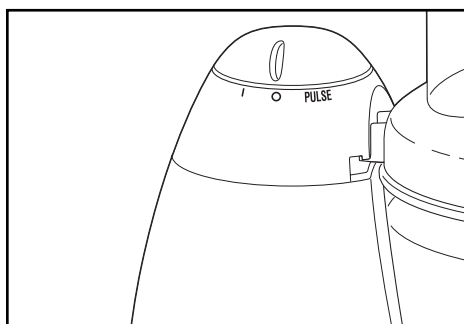
Verrouillage du couvercle



Aligner le couvercle tel qu'illustré. Placer le couvercle sur le bol et le tourner dans le sens horaire jusqu'à ce qu'il se verrouille en place.

REMARQUE : Le robot culinaire ne fonctionnera pas si le couvercle n'est pas verrouillé en place.

Utilisation des commandes



La commande est placée de façon pratique sur le dessus de la base. Tourner le bouton pour sélectionner le mode PULSE (pulsation) ou ON (en continu). Le robot culinaire fonctionnera en continu en mode ON. Pour un fonctionnement instantané par intermittence, choisir le bouton PULSE (pulsation).

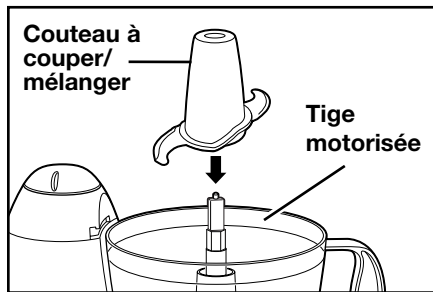
Utilisation du couteau à couper/mélanger

Le couteau à couper/mélanger peut servir à hacher grossièrement ou finement, mélanger ou rendre les aliments en purée uniforme.

1. S'assurer que le commutateur de commande est en position OFF et que l'appareil est débranché.
2. Verrouiller le bol sur la base. (Voir « Verrouillage du bol » à la page 17).
3. Placer le couteau à couper/mélanger sur la tige motorisée du robot culinaire au centre du bol. Tourner lentement jusqu'à ce que le couteau tombe en place. **Manipuler avec soin : la lame est coupante.**
4. Verrouiller le couvercle sur le bol. (Voir « Verrouillage du couvercle » à la page 17). Insérer le poussoir dans la trémie.
5. Brancher l'appareil et passer les aliments au robot. Le temps de traitement déterminera la consistance finale des aliments. Utiliser le mode pulsation pour éviter de trop traiter les aliments.

REMARQUES :

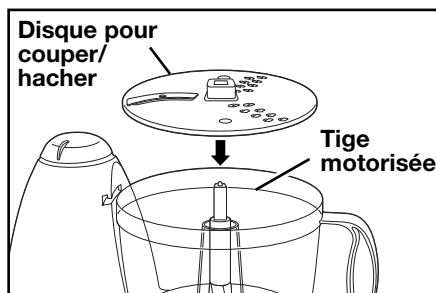
- Toujours se servir du poussoir pour introduire les aliments dans la trémie. **NE JAMAIS POUSSER LES ALIMENTS DANS LA TRÉMIE AVEC LES MAINS.**
- Attendre que la lame se soit immobilisée avant d'enlever le couvercle.






Utilisation du disque pour trancher/hacher

- Pour trancher ou hacher du fromage, choisir des fromages fermes comme le cheddar, le monterey jack ou le suisse. Placer le fromage au congélateur pendant 30 minutes avant de le traiter.
- Un côté du disque réversible pour trancher/hacher a une lame tranchante, et l'autre des dents pour broyer. Placer le disque, surface coupante choisie vers le haut, sur la tige motorisée.
- Pour couper les légumes en julienne, les trancher d'abord puis les retirer du bol et les empiler à nouveau. Repasser les tranches verticales dans le robot. Trancher à nouveau pour obtenir des légumes en baguettes.

1. S'assurer que le commutateur de commande est en position OFF et que l'appareil est débranché.
2. Verrouiller le bol sur la base. (Voir « Verrouillage du bol » à la page 17).
3. Placer le disque pour trancher/hacher sur la tige motorisée en plaçant le côté tranchant choisi vers le haut, soit le côté pour trancher ou pour hacher. **Manipuler avec soin : la lame est coupante.** Verrouiller le couvercle sur le bol. (Voir « Verrouillage du bol » à la page 17).
4. Couper les aliments pour qu'ils passent dans la trémie. Remplir la trémie d'aliments. Insérer le poussoir dans la trémie. **Toujours se servir du poussoir pour introduire les aliments dans la trémie. NE JAMAIS POUSSER LES ALIMENTS DANS LA TRÉMIE AVEC LES MAINS.**
5. Brancher l'appareil et traiter les aliments.
6. Tout en appuyant sur le poussoir, choisir le mode ON (en continu) ou PULSE (pulsation) pour traiter les aliments.
7. Lorsque la trémie est vide, choisir le mode OFF ou relâcher le bouton PULSE. **Attendre que la lame se soit immobilisée avant d'enlever le couvercle.**



Tableaux des opérations

ACCESSOIRE	ALIMENTS
Disque pour trancher (côté pour trancher vers le haut) 	Concombres, pommes, champignons, légumes, pommes de terre, chou
	Légumes en julienne
Couteau à couper/mélanger 	Pour hacher les noix, émincer les légumes, fruits, champignons, carottes
	Pour hacher la viande cuites; mettre en purée, pétrir la pâte à pain, râper le fromage
Disque pour hacher (côté pour hacher vers le haut) 	Légumes, chou
	Fromages fermes

suite à la page suivante

Tableaux des opérations

Pour obtenir les meilleurs résultats, ne pas dépasser les quantités suivantes lorsqu'il s'agit de hacher, émincer ou réduire en purée les aliments avec le **couteau à couper/mélanger**.

ALIMENTS	QUANTITÉ MAXIMALE
Fruits et légumes	1 livre ou 2 à 3 tasses (450 g ou 500 à 750 ml)
Viandes (cuites)	12 oz ou 1½ tasse, en cubes (350 g ou 375 ml)
Fromage parmesan ou romano	5 onces (140 g) en cubes
Fromage cheddar, Jack ou mozzarella	8 onces (225 g) en cubes

Conseils et techniques d'opération

- Pour une consistance uniforme lorsqu'on coupe des aliments, laisser de l'espace dans le bol pour que l'aliment puisse se déplacer autour du bol.
- Pour une consistance plus uniforme aussi, commencer avec des morceaux d'aliments de même grosseur. Les carottes par exemple doivent toutes être coupées en morceaux de 1 po (2,5 cm). Ne pas traiter des morceaux de 4 po (10 cm) avec des morceaux de ½ po (1 cm).
- Ce robot culinaire est excellent pour hacher, mélanger, trancher ou râper la plupart des aliments. Toutefois, pour maintenir un haut rendement, nous ne recommandons pas ce qui suit : moudre des grains, fèves de café ou des épices; trancher des viandes surgelées ou broyer des glaçons.
- Ne pas préparer des purées ou écraser des légumes féculents comme des pommes de terre. Ces aliments seront trop traités en une seconde et deviendront gommeux.
- Le temps de traitement dépendra de la quantité d'aliments à traiter. La plupart des aliments peuvent être tranchés, hachés ou râpés en quelques secondes. Ne pas faire fonctionner l'appareil pendant plus de 1 minute à la fois. Pour le traitement de grandes quantités, laisser l'appareil reposer environ 1 minute avant de continuer à l'utiliser.
- Ne pas préparer de pâte à biscuits ou à pain dans ce robot culinaire. Cela pourrait endommager l'appareil.

Nettoyage

1. Laver le bol, le couvercle, le couteau à couper/mélanger, le disque pour trancher/hacher et le poussoir dans de l'eau chaude savonneuse. Bien rincer et sécher. Ces pièces peuvent aussi être lavées au lave-vaisselle.
REMARQUE :
 - Ne pas ranger le robot culinaire avec le couvercle en position verrouillée, car cela pourrait endommager le dispositif de verrouillage.
2. Essuyer la base, les commandes et le cordon à l'aide d'un linge ou d'une éponge humide. Pour enlever les taches rebelles, employer un détergent doux non abrasif.
NE JAMAIS SUBMERGER LA BASE DANS DE L'EAU OU TOUT AUTRE LIQUIDE.
3. Pour ranger, placer le bol sur la base. Placer ensuite le couteau à couper/mélanger ou le disque pour trancher/hacher sur la tige motorisée. Placer le couvercle sur le bol sans le verrouiller.

Recettes

Hoummos

2 gousses d'ail	2 c. à thé (10 ml) d'huile d'olive
2 oignons verts, partie blanche et moitié de l'extrémité verte	¼ c. à thé (1,25 ml) de cumin
15 oz (425 g) de pois chiches, égouttés,	Pincée de cayenne
¼ tasse (60 ml) de tahini (pâte de sésame), mélangé	Sel et poivre au goût
3 à 4 c. à soupe (45 à 60 ml) de jus de citron ou de lime	Pincée de paprika
	Pain pita ou légumes coupés en morceaux, facultatif

Avec le couteau à couper/mélanger en place et le robot en marche, mettre les gousses d'ail et les oignons dans la trémie. Ajouter les pois chiches, le tahini, le jus de citron ou lime, l'huile d'olive, le cumin, le poivre de cayenne, le sel et le poivre. Continuer de mélanger jusqu'à consistance lisse, en raclant les parois du bol au besoin. Verser dans un plat et garnir de paprika. Servir avec du pain pita et/ou des légumes. Conserver au réfrigérateur. **Quantité : environ 2 tasses.**

Salsa

1 oignon, pelé et coupé en quartiers	¼ tasse (60 ml) feuilles de coriandre, tassé
1 gousse d'ail	½ c. à thé (2,5 ml) de cumin
1 piment (jalapeno ou autre piment fort) vidé, égrainé et coupé en quartiers	1 c. à soupe (15 ml) de jus de lime
4 tomates, coupées en quartiers	Sel et poivre au goût
	Sauce piquante, facultatif

Avec le couteau à couper/mélanger en place et le robot en marche, mettre l'oignon, l'ail et le piment dans la trémie et émincer finement. Arrêter le robot, ajouter les tomates, la coriandre, le cumin, le jus de lime, le sel et le poivre. Régler au fonctionnement par pulsations (Pulse) jusqu'à la consistance désirée. Ajouter de la sauce piquante, si désiré. **Quantité : 2 à 3 tasses (500 à 750 ml).**



Soupe aux pommes de terre et poireaux

3 livres (1,35 kg) de pommes de terre, pelées	1½ c. à thé (7,5 ml) de sel
3 à 4 poireaux, racine et feuilles coupées	¼ c. à thé (1,25 ml) de poivre
8 oz (225 g) de bacon	½ tasse (125 ml) de lait
2 pintes (2 L) d'eau	3 c. à soupe (45 ml) de farine

Avec le disque pour trancher/hacher, côté pour trancher vers le haut, trancher les pommes de terre. Les verser dans un gros bol mélangeur et les recouvrir d'eau froide. Mettre de côté. Trancher les poireaux. Pour nettoyer les poireaux, les placer dans une passoire et les passer sous l'eau courante froide en secouant délicatement. Dans une cocotte ou un faitout, faire cuire le bacon jusqu'à ce qu'il soit croustillant. Retirer le bacon et le mettre de côté. Ajouter les poireaux dans la graisse de bacon. Cuire et remuer occasionnellement à feu moyen pendant environ 10 minutes. Régler à feu vif et ajouter l'eau, les pommes de terre, le sel et le poivre. Porter la soupe à ébullition, puis réduire la chaleur et laisser mijoter, à découvert, pendant 15 à 20 minutes. Dans un petit bol, battre le lait et la farine. Incorporer lentement le mélange de lait et de farine dans la soupe mijotante et laisser mijoter 5 minutes. Garnir de petits morceaux de bacon. **Quantité : 6 à 8 portions.**



Soupe aux lentilles

½ livre (225 g) de bacon	Sachet de 16 oz (450 g) de lentilles
1 gros oignon	2 pintes (2 L) d'eau
6 panais, pelés, extrémités taillées, coupés en morceaux de 1 po (2,5 cm)	1 feuille de laurier
8 branches de céleri avec les feuilles	1 c. à thé (5 ml) de sel
6 carottes, extrémités coupées	Crème sure, facultatif

Dans une cocotte ou un faitout, faire cuire le bacon jusqu'à ce qu'il soit croustillant. Sortir et mettre de côté 4 tranches de bacon pour la garniture. Laisser la graisse de bacon dans la casserole. Avec le couteau à couper/mélanger en place, hacher les oignons et les panais. Verser les oignons et les panais hachés dans la graisse de bacon et cuire à feu moyen jusqu'à ce que les légumes soient ramollis, soit environ 7 minutes. Avec le disque pour trancher/hacher, côté pour trancher vers le haut, trancher le céleri et les carottes. Ajouter le céleri, les carottes, les lentilles, l'eau, la feuille de laurier et le sel au mélange d'oignons et de panais. Porter à ébullition, puis baisser le feu et laisser mijoter, couvert, pendant 40 minutes. Au moment de servir, garnir de crème sure et de bacon émietté. **Quantité : 8 portions.**

REMARQUE : Il n'est pas nécessaire de faire tremper les lentilles pendant la nuit.



Lasagne végétarienne

8 oz (225 g) de mozzarella allégée	1 paquet de 8 oz (225 g) de fromage à la crème, coupé en morceaux
1 oignon moyen, pelé et coupé en morceaux	¾ tasse (175 ml) de fromage ricotta au lait écrémé
4 gousses d'ail	½ tasse (125 ml) de crème sure légère
4 à 6 oz (115 à 170 g) de champignons frais	1 oeuf
1 c. à thé (5 ml) d'huile végétale	2 c. à thé (10 ml) d'assaisonnement italien séché
2 courgettes d'environ 6 po (15 cm) de long, coupées en morceaux	Boîte de 26 oz (735 g) de sauce à spaghetti
2 oz (50 g) de parmesan, coupé en morceaux de ½ po (1 cm) (environ ⅓ tasse [80 ml] râpé)	6 pâtes à lasagne, cuites

Avec le disque pour trancher/hacher, côté pour hacher vers le haut, râper la mozzarella. Déposer dans un petit bol et mettre de côté. Avec le couteau à couper/mélanger en place, mettre l'oignon et les gousses d'ail dans le bol. Couper grossièrement le mélange au réglage PULSE. Ajouter les champignons. Continuer avec le robot au réglage par pulsations jusqu'à ce que les champignons soient grossièrement coupés. Verser les légumes coupés dans un gros poêlon avec l'huile, à feu moyen. Avec le couteau à couper/mélanger en place, mettre les courgettes dans le bol. Couper grossièrement au réglage par impulsions. Verser les courgettes dans le poêlon. Cuire jusqu'à ce qu'elles soient tendres, soit environ 10 minutes, puis mettre de côté. Sans laver le bol, avec le couteau à couper/mélanger en place, mettre les morceaux de parmesan dans le bol et couper grossièrement au réglage élevé. Ajouter le fromage à la crème, le ricotta, la crème sure, l'oeuf et les assaisonnements et mélanger jusqu'à consistance crémeuse, soit environ 30 à 40 secondes. Graisser un plat de cuisson de 9 x 13 po (33 x 23 cm). Mettre en couches la moitié des pâtes, mélange de fromage en crème, mélange de légumes hachés et sauce spaghetti. Répéter une fois. Saupoudrer de mozzarella. Cuire, couvert, à 350°F (180°C) pendant 25 minutes. Découvrir et cuire 10 minutes de plus. Laisser reposer pendant 10 minutes avant de servir. **Quantité : 8 portions.**

REMARQUE : La mozzarella est plus facile à râper si on la met au congélateur pendant une heure avant.



Pouding au pain à l'ananas au four

- | | |
|---|--|
| 12 tranches de pain blanc, coupé en lamelles pour passer dans la trémie | 1 c. à thé (5 ml) de vanille |
| 1 boîte de 20 oz (565 g) de morceaux d'ananas, égouttés | 1 c. à soupe (15 ml) de beurre fondu ou de margarine |
| 2 oeufs | 1½ tasse (375 ml) de sucre |
| 1 tasse (225 ml) de crème moitié-moitié | 3 tranches d'ananas, égouttées |

Insérer le couteau à couper/mélanger dans le bol du robot culinaire et, robot en marche, laisser tomber le pain dans la trémie pour l'émietter. Le mettre dans un plat de 2 pintes (2 L), graissé, allant au four. Mettre les morceaux d'ananas dans le bol du robot avec le couteau à couper/mélanger en place. Hacher les ananas pendant 20 secondes. Ajouter les oeufs, la crème, la vanille, le beurre fondu ou la margarine et le sucre. Bien mélanger. Verser le mélange sur le pain mou émietté. Garnir des trois rondelles d'ananas en les faisant se chevaucher au centre. Cuire à 350°F (180°C) au four pendant 1 heure ou jusqu'à ce que le dessus soit doré.

Quantité : 8 portions.



Croustade aux pommes

- | | |
|---|----------------------------------|
| 6 grosses pommes Golden Delicious, pelées et évidées et coupées pour passer dans la trémie (6 tasses [1,5 L] tranchées) | Garniture : |
| 1 c. à soupe (15 ml) de jus de citron | ½ tasse (125 ml) de beurre fondu |
| ½ tasse (125 ml) de sucre | 1 tasse (250 ml) de farine |
| 1 c. à soupe (15 ml) de farine | 1 tasse (250 ml) de sucre |
| 1 c. à thé (5 ml) de cannelle | 1 c. à thé (5 ml) de cannelle |
| ¼ c. à thé (1,25 ml) de noix de muscade | |

Avec le disque pour trancher/hacher, côté pour trancher vers le haut, trancher les pommes. Mettre les pommes dans un grand bol. Les arroser de jus de citron. Les saupoudrer de sucre, farine, cannelle et noix de muscade. Bien mélanger, puis mettre les pommes dans un plat de cuisson de 2 pintes (2 L) non graissé. Avec le couteau à couper/mélanger en place, verser les ingrédients de la garniture dans le bol et régler le robot au fonctionnement par pulsations jusqu'à ce que le tout soit bien mélangé. Saupoudrer la garniture sur les pommes. Cuire à 375°F (190°C) pendant 30 minutes. Servir accompagné de crème glacée à la vanille. **Quantité : 6 portions.**



Service à la clientèle

Si vous avez une question concernant votre appareil, composer notre numéro sans frais de service à la clientèle. Avant de faire un appel, veuillez noter les numéros de modèle, de type et de série ci-dessous. Ces numéros se trouvent sous votre appareil. Cette information nous aidera à répondre beaucoup plus vite à toute question.

MODÈLE : _____ **TYPE :** _____ **SÉRIE :** _____

Cette garantie s'applique aux produits achetés aux É.-U. ou au Canada.

GARANTIE LIMITÉE

Ce produit est garanti être exempt de vices de matériau et de fabrication pendant une période de deux (2) ans pour les produits Portfolio de Hamilton Beach, d'un (1) an pour les produits Hamilton Beach ou cent quatre-vingts (180) jours pour les produits Proctor-Silex à partir de la date de l'achat original, excepté ce qui est noté ci-dessous. Au cours de cette période, nous réparerons ou remplacerons ce produit sans frais, à notre discrétion. LA GARANTIE CI-DESSUS REMPLACE TOUTE AUTRE GARANTIE EXPRESSE OU IMPLICITE, ÉCRITE OU ORALE, Y COMPRIS TOUTE GARANTIE DE QUALITÉ MARCHANDE OU DE CONFORMITÉ À UNE FIN PARTICULIÈRE. TOUTE RESPONSABILITÉ EST EXPRESSÉMENT LIMITÉE À UN MONTANT ÉGAL AU PRIX D'ACHAT PAYÉ ET TOUTES LES RÉCLAMATIONS POUR DOMMAGES SPÉCIAUX ET INDIRECTS SONT PAR LES PRÉSENTES EXCLUES. La garantie ne s'applique pas aux accessoires suivants qui pourraient être vendus avec ce produit : pièces en verre, récipients en verre, couteau/tamis, lames et/ou agitateurs. Cette garantie ne s'applique qu'à l'acheteur d'origine et ne couvre pas un vice causé par l'abus, le mésusage, la négligence, l'usage à des fins commerciales ou tout autre usage non prescrit dans le mode d'emploi. Cette garantie vous confère des droits juridiques spécifiques et vous pouvez aussi jouir d'autres droits juridiques qui peuvent varier d'un État à un autre ou d'une province à une autre. Certains États ou provinces ne permettent pas les limitations sur les garanties implicites ou les dommages spéciaux ou indirects de telle sorte que les limitations ci-dessus ne s'appliquent peut-être pas dans votre cas.

Si vous désirez procéder à une réclamation en vertu de cette garantie, NE RETOURNEZ PAS L'APPAREIL AU MAGASIN! Veuillez téléphoner au NUMÉRO DU SERVICE À LA CLIENTÈLE. (Pour un service plus rapide, ayez à portée de la main les numéros de série, de modèle et de type de votre appareil lorsque vous communiquez avec un représentant.)

NUMÉROS DU SERVICE À LA CLIENTÈLE

Aux États-Unis 1-800-851-8900

Au Canada 1-800-267-2826

hamiltonbeach.com ou proctorsilex.com

CONSERVEZ CES NUMÉROS POUR CONSULTATION ULTÉRIEURE!

SALVAGUARDIAS IMPORTANTES

Quando se están utilizando artefactos eléctricos deben seguirse ciertas precauciones básicas, entre las que se incluyen las siguientes:

1. Lea y guarde todas las instrucciones.
2. Verifique que el voltaje de su instalación corresponda con el del producto.
3. Si el cable de suministro de energía está dañado, debe ser reemplazado por el fabricante, su agente de servicio u otra persona similarmente calificada para evitar un peligro.
4. Para protegerse de los choques eléctricos, nunca sumerja la base, el motor, el cable o el enchufe en agua o en algún otro líquido.
5. Cuando los niños estén cerca de cualquier artefacto eléctrico o lo estén usando, es necesario una supervisión muy estricta.
6. Este aparato no debe ser usado por niños.
7. Desconecte el cable del tomacorriente cuando no lo esté usando, antes de agregar o quitar componentes y antes de limpiarlo.
8. Evite el contacto con los componentes móviles.
9. No permita el funcionamiento de ningún artefacto eléctrico que tenga el cable o el enchufe dañado o después de que el artefacto ha fallado o se ha caído o dañado de alguna manera. Llame a nuestro número gratuito de asistencia al cliente para obtener información o un examen, reparación o ajuste de tipo eléctrico o mecánico.
10. El uso de accesorios no recomendados ni vendidos por Hamilton Beach/Proctor-Silex, Inc. puede causar incendio, choque eléctrico o lesiones.
11. No use su procesador de alimentos si tiene partes rotas.
12. No use este aparato al aire libre.
13. No permita que el cable cuelgue por fuera del borde de una mesa o de un mostrador o que esté en contacto con superficies calientes.
14. Nunca agregue los alimentos por la tolva de alimentos usando las manos cuando se encuentre rebanando o rallando alimentos. Siempre utilice el empujador de alimentos.
15. Las cuchillas y los discos están muy afilados. Manéjelos con cuidado. Guárdelos fuera del alcance de los niños.
16. Antes de quitar la tapa, cerciórese que el disco o la cuchilla se han detenido totalmente.
17. Cerciórese que la tapa esté asegurada firmemente en su sitio antes de poner a funcionar el artefacto eléctrico.
18. Para reducir el riesgo de lesiones, nunca coloque la cuchilla o los discos en la base sin que el tazón esté firmemente colocado en su sitio.
19. Mientras esté procesando los alimentos, mantenga las manos y los utensilios fuera del alcance de las cuchillas y discos para evitar el riesgo de lesiones personales muy severas y/o daños a su procesador. Se puede utilizar una espátula de hule pero SOLAMENTE cuando no esté funcionando el procesador.
20. No intente interferir con el mecanismo de seguridad de cierre de la tapa.
21. Para reducir el riesgo de lesiones, cerciórese de insertar o quitar las cuchillas y los discos utilizando las ranuras para los dedos que se han provisto con este objeto. Siempre tenga mucho cuidado cuando quite las cuchillas y los discos del tazón, cuando esté vaciando el tazón y cuando lo esté lavando.
22. Asegúrese de colocar el interruptor en la posición apagado (OFF/O) después de cada uso. Siempre use el empujador para despejar los restos de comida que hayan quedado en la tolva. Cuando no sea posible limpiarlos de esta forma, apague el motor y desarme la unidad para retirar todos los restos de comida.
23. Este aparato no ha sido diseñado para aplicaciones comerciales, profesionales o industriales. Ha sido diseñado y construido exclusivamente para uso doméstico.
24. Nunca use el aparato por un período más largo o con mayores cantidades de ingredientes de las recomendadas por Hamilton Beach/Proctor-Silex, Inc.
25. La clasificación nominal máxima de esta unidad se basa en el uso de una cuchilla para picar/mezclar. El uso del disco rebanador/rallador puede acarrear bastante menos potencia.
26. No lo coloque sobre o cerca de un quemador caliente a gas o eléctrico o en un horno caliente.
27. No use este aparato en ninguna otra aplicación que no sea la designada.

¡GUARDE ESTAS INSTRUCCIONES!

Información de seguridad para el usuario

Este artefacto debe utilizarse únicamente en un entorno doméstico.

Este electrodoméstico puede estar equipado con un enchufe polarizado. Este tipo de enchufe tiene una cuchilla más ancha que la otra. El enchufe encajará en el tomacorriente en una sola dirección. Esta es una medida de seguridad con la intención de ayudar a reducir el riesgo de choque eléctrico. Si no puede insertar el enchufe en el tomacorriente, pruebe a darle vuelta al enchufe. Si, aún así, no encaja, haga que un electricista reponga el tomacorriente obsoleto. No intente invalidar la medida de seguridad del enchufe polarizado modificando el enchufe de alguna forma.

Para evitar una sobrecarga en los circuitos eléctricos, no utilice algún otro artefacto eléctrico de potencia elevada en el mismo circuito que su procesador de alimentos.

El largo del cable que se utiliza con este artefacto fue elegido para reducir los riesgos de enredarse o de tropezarse con un cable más largo. Si se necesita un cable más largo, se puede usar una extensión eléctrica siempre que esté clasificada a una capacidad igual o mayor que su procesador de alimentos. Se debe tener cuidado de arreglar el cable de extensión para que no cuelgue de la mesa o mostrador donde puede ser jalado por los niños o se pueda tropezar con él accidentalmente.

Modelo Hamilton Beach:	Tipo:	Características Eléctricas:
70450	FP12	120 V~ 60 Hz 300W

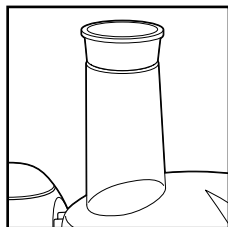
Antes del primer uso

Saque el procesador de su envoltura. Tenga cuidado con la cuchilla para picar/mezclar y el disco rebanador/rallador ya que están muy afilados.

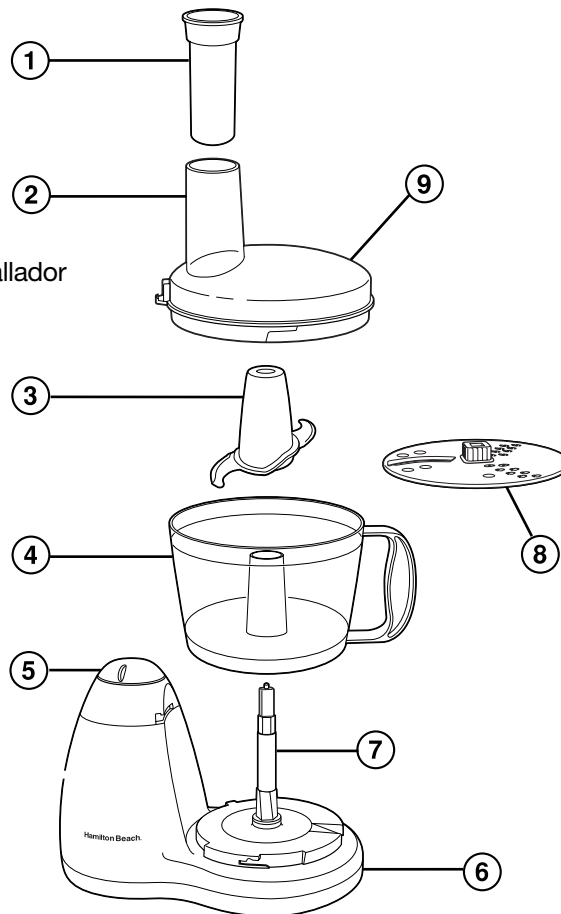
Lave todas las piezas, excepto la base, en agua jabonosa caliente. Enjuague y luego seque. Estas piezas también se pueden lavar en el lavavajillas.

Piezas y características

1. Empujador de alimentos
2. Tolva de alimentos
3. Cuchilla para picar/mezclar
4. Tazón
5. Control rotativo
6. Base
7. Eje motriz
8. Disco reversible rebanador/rallador
9. Tapa



Empujador de alimentos
en la tolva de alimentos

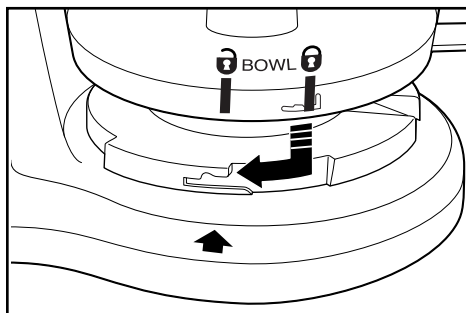


¡Sugerencias!

- El tazón tiene capacidad para 6 tazas (1,5 L) de ingredientes secos o 2 tazas (500 ml) de líquido. No lo llene demasiado.
- No utilice su procesador para triturar hielo.
- Para lograr una textura consistente, los alimentos deberán cortarse en cubos de 1 pulgada (2,5 cm) antes de molerlos o picarlos con la cuchilla para picar/mezclar.
- No use su procesador de alimentos para hacer masa para pan o galletas dulces.

Cómo usar su procesador de alimentos

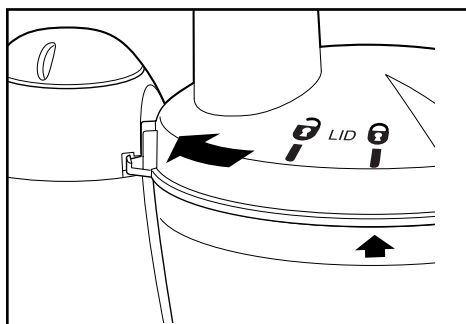
Cómo trabar el tazón



Alinee el tazón y la base como se muestra. Gire el tazón en dirección de las agujas del reloj hasta que se traben en posición.

NOTA: El procesador de alimentos no funcionará a menos que el tazón esté trabado en su lugar.

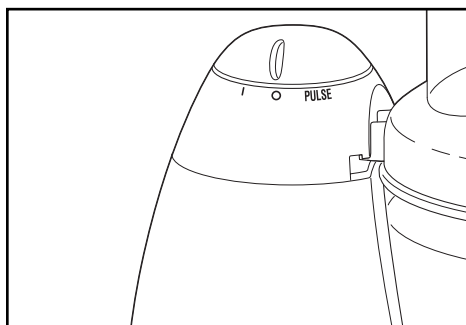
Cómo trabar la tapa



Coloque la tapa en el tazón como se muestra y gírela en el sentido de las agujas del reloj hasta que se traben en posición.

NOTA: El procesador de alimentos no funcionará a menos que la tapa esté trabada.

Cómo operar los controles



El control está convenientemente ubicado en la parte superior de la base. Gire la perilla para seleccionar PULSE (Pulso) u ON (Encendido / I). El procesador funcionará continuamente cuando se ajuste en ON / I. Para un control de encendido y apagado instantáneo, use el ajuste de PULSE (Pulso).

Cómo procesar con la cuchilla para picar/mezclar

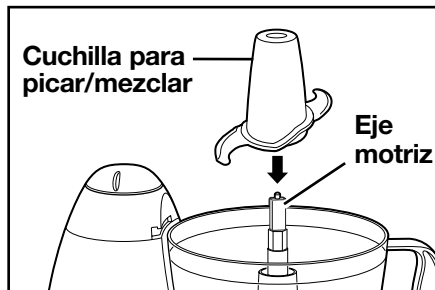


La cuchilla para picar/mezclar se puede usar para picar en trozos grandes, picar bien finito, mezclar o hacer puré a una consistencia cremosa.

1. Asegúrese de que el interruptor de control esté girado hacia **O** (Apagado) y que la unidad esté desenchufada.
2. Trabe el tazón en la base. (Vea “Cómo trabar el tazón” en la página 29.)
3. Coloque la cuchilla para picar/mezclar en el eje motriz del procesador de alimentos en el centro del tazón. Gírela lentamente hasta que la cuchilla encaje en su lugar. La cuchilla es filosa, manéjela con cuidado.
4. Trabe el tazón en su lugar. (Vea “Cómo trabar la tapa” en la página 29.) Inserte el empujador de alimentos en la tolva de alimentos.
5. Enchufe la unidad y procese los alimentos. El tiempo de procesamiento determinará la consistencia final de los alimentos. El ajuste de Pulse (Pulso) lo puede ayudar a evitar procesarlo demasiado.

NOTAS:

- Siempre utilice el empujador de alimentos para ingresar los alimentos en la tolva de alimentos. **NUNCA EMPUJE LOS ALIMENTOS POR LA TOLVA DE ALIMENTOS USANDO LAS MANOS.**
- Espere hasta que la cuchilla haya parado de girar antes de retirar la tapa.



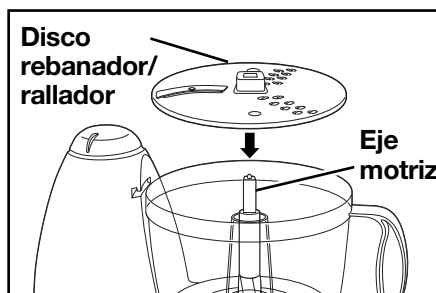
Procesamiento con el disco rebanador/rallador






- Para rebanar o rallar queso, seleccione un queso firme como cheddar, Monterrey Jack o suizo. Coloque el queso en el congelador 30 minutos antes de procesar.
- El Disco Reversible Rebanador/Rallador tiene una cuchilla rebanadora de un lado y dientes ralladores del otro. Colóquelo en el eje motriz con el lado cortante que desee mirando hacia arriba.
- Para preparar verduras cortadas fino (estilo juliana), córtelas y luego sáquelas del tazón y vuelva a agregar las verduras. Colóquelas en la tolva de alimentos en posición vertical. Corte nuevamente para que queden rebanadas del grosor de un fósforo.

1. Asegúrese de que el Interruptor de Control esté en la posición apagada **O** y que la unidad esté desenchufada.
2. Trabe el tazón a la base (Consulte "Cómo trabar el tazón" en la página 29).
3. Coloque el Disco Rebanador/Rallador en el eje motriz con el lado deseado mirando hacia arriba para rebanar o rallar. **La cuchilla es filosa, manéjela con cuidado.** Trabe la tapa en el tazón. (Consulte "Cómo trabar la tapa" en la página 29).

4. Corte los alimentos para que pasen por la tolva de alimentos. Llene la tolva bien apretada con comida. Introduzca el empujador en la tolva. **Siempre use el empujador de alimentos para introducir los alimentos en la tolva. NUNCA EMPUJE LOS ALIMENTOS POR LA TOLVA CON LAS MANOS.**
5. Enchufe la unidad y procese los alimentos.
6. Mientras presiona el empujador de alimentos, seleccione **I** o PULSE para procesar los alimentos.
7. Cuando la tolva de alimentos esté vacía, seleccione **O** o suéltela de la posición de pulso (PULSE). **Espere hasta que la cuchilla haya dejado de girar antes de retirar la tapa.**



Tablas de procesamiento

ACCESORIO	ALIMENTOS
Disco rebanador (cuchilla rebanadora mirando hacia arriba) 	Pepinos, manzanas, champiñones, verduras papas, col
Cuchilla para picar/ mezclar 	Picar nueces, cortar verduras, frutas champiñones, zanahorias
	Picar carnes cocidas, hacer purés, rallar queso
Disco rallador (dientes ralladores mirando hacia arriba) 	Verduras, col
	Quesos duros

Para obtener mejores resultados, no sobrepase las siguientes cantidades cuando pique, triture o haga puré con la **Cuchilla para picar/mezclar**.

ALIMENTO	CANTIDAD MÁXIMA
Frutas y verduras	1 libra o entre 2 y 3 tazas (450 g o entre 500 y 750 ml)
Carnes (cocidas)	12 onzas o 1½ tazas en cubitos (350 g ó 750 ml)
Queso parmesano o romano	5 onzas (140 g) en cubitos
Queso cheddar, Jack o mozzarella	8 onzas (225 g) en cubitos

Consejos y técnicas para el procesamiento

- Para obtener una consistencia uniforme cuando esté picando, deje espacio en el tazón para que el alimento pueda dar vueltas.
- También para una consistencia más uniforme comience con trozos de alimentos de tamaño similar. Por ejemplo, las zanahorias deben cortarse en trozos de 1 pulgada (2,5 cm). No procese trozos de 4 pulgadas (10 cm) con trozos de ½ pulgada (1 cm).
- Este procesador de alimentos es excelente para picar, mezclar, rebanar o rallar la mayoría de los alimentos. Sin embargo, para permitir que se desempeñe de la mejor forma posible, recomendamos no moler granos, granos de café o especias; no cortar carne congelada ni triturar hielo.
- No haga puré ni pise verduras de fécula como papas. Se procesarán demasiado en un segundo y se volverán gomosas.
- El tiempo de operación dependerá de la cantidad de alimento que se esté procesando. La mayoría de los alimentos se pueden rebanar, picar o rallar en unos segundos. No opere el procesador por más de un minuto a la vez. Si está procesando cantidades grandes, deje que el aparato descanse un minuto antes de continuar.
- No haga masa para pan o galletas en este procesador de alimentos. Se puede dañar la unidad.

Limpieza

1. Lave el tazón, la tapa, la cuchilla para picar/mezclar, el disco rebanador/rallador y el empujador de alimentos en agua caliente con jabón. Enjuague y seque a fondo. Estas piezas también se pueden lavar en el lavavajillas.
NOTA: No almacene el procesador de alimentos con la tapa en la posición de traba ya que el hacerlo puede poner tensión en la lengüeta de trabado.
2. Limpie la base, los controles y el cable con una esponja o un trapo húmedo. Si necesita eliminar manchas persistentes, use un limpiador suave y no abrasivo.
NUNCA SUMERJA LA BASE EN AGUA O EN CUALQUIER OTRO LÍQUIDO.
3. Para guardar, coloque el tazón sobre la base. Luego coloque lo siguiente en el eje motriz: la cuchilla para picar/mezclar y el disco rebanador/rallador. Coloque la tapa en el tazón, pero no la trabe.

Recetas

Humus



2 dientes de ajo	2 cucharaditas (10 ml) de aceite de oliva
2 cebollinas, la porción blanca y la mitad de la porción verde	¼ cucharadita (1,25 ml) de comino
1 lata de 15 onzas (425 g) de garbanzos, escurridos	Una pizca de pimienta de Cayena
¼ taza (60 ml) de "tahini" (pasta de sésamo), revuelta	Sal y pimienta a gusto
3 a 4 cucharadas (45 a 60 ml) de jugo de limón o lima	Una pizca de paprika
	Pan tipo "pita" o verduras cortadas, opcional

Usando la cuchilla para picar/mezclar y con el procesador en marcha, deje caer los dientes de ajo y las cebolletas en la tolva de alimentos. Luego agregue los garbanzos, tahini, jugo de limón o de lima, aceite de oliva, comino, pimienta de Cayena, sal y pimienta. Continúe procesando hasta que obtener una mezcla uniforme y raspe las paredes del vaso según se requiera. Coloque la mezcla en una fuente y adorne con paprika. Sirva con pan tipo pita y/o verduras. Guarde la mezcla en el refrigerador. **Se obtienen unas 2 tazas (500 ml).**

Salsa



1 cebolla, pelada y cortada en cuartos	¼ taza (60 ml) de cilantro, apretado
1 diente de ajo	½ cucharadita (2,5 ml) de comino
1 chile picante (tipo jalapeño o serrano), sin centro, sin semillas y cortado en cuartos	1 cucharada (15 ml) de jugo de lima
4 tomates, cortados en cuartos	Sal y pimienta a gusto
	Salsa picante, opcional

Usando la cuchilla para picar/mezclar y con el procesador en marcha, deje caer la cebolla, los dientes de ajo y el chile picante por la tolva de alimentos y corte hasta que queden bien picados. Detenga el procesador y agregue tomates, cilantro, comino, jugo de lima, sal y pimienta. Pulse hasta obtener la textura deseada. Agregue salsa picante si así lo desea. **Se obtienen entre 2 a 3 tazas (500 a 750 ml).**



Sopa de papas y puerros

3 libras (1,35 kg) de papas, peladas	1½ cucharadita (7,5 ml) de sal
3 a 4 puerros, sin raíz y sin los extremos de las hojas	¼ cucharadita (1,25 ml) de pimienta
8 onzas (225 g) de tocino	½ taza (125 ml) de leche
2 cuartos (2 L) de galón de agua	3 cucharadas (45 ml) de harina

Usando el disco rebanador/rallador, con el lado rebanador hacia arriba, corte las papas. Sáquelas y colóquelas en un tazón grande para mezclar y cubra con agua fría. Déjelas a un lado. Corte los puerros. Para limpiar los puerros, colóquelos en un colador y sacúdalos delicadamente bajo agua corriente. En una olla para sopa o una olla grande de hierro o barro, cocine el tocino hasta que esté crujiente. Retire el tocino y déjelo a un lado. Agregue los puerros a la grasa del tocino en la olla. Cocine y revuelva ocasionalmente sobre fuego mediano por unos 10 minutos. Aumente el calor a alto y agregue el agua, las papas, la sal y la pimienta. Haga hervir la sopa y reduzca el calor y hierva a fuego lento con la olla destapada durante 15 a 20 minutos. En un tazón pequeño, bata la leche con la harina. Vierta lentamente la mezcla de la leche en la sopa y siga hirviendo a fuego lento durante 5 minutos. Adorne con trozos de tocino desmenuzado. **Se obtienen entre 6 y 8 porciones.**



Sopa de lentejas

½ libra (225 g) de tocino	1 bolsa de lentejas de 16 onzas (450 g)
1 cebolla grande	2 cuartos (2 L) de agua
6 pastinacas, peladas y sin los extremos, cortadas en trozos de 1 pulgada (2,5 cm)	1 hoja de laurel
8 secciones de apio con hojas	1 cucharadita (5 ml) de sal
6 zanahorias sin los extremos	Crema agria, opcional

En una olla de sopa o en un horno grande de hierro o de barro, cocine el tocino hasta que esté crujiente. Quite y reserve 4 rebanadas de tocino para usarlas como guarnición. Deje los chicharrones en la olla. Utilizando la cuchilla para picar/mezclar pique las cebollas y las pastinacas. Agregue las cebollas picadas y las pastinacas a los chicharrones de tocino en la olla y cocine a fuego medio hasta que se ablanden, unos 7 minutos. Usando el disco rebanador/rallador, con el lado del rebanador hacia arriba, corte en tajadas el apio y las zanahorias. Agregue el apio, zanahorias, lentejas, agua, hoja de laurel y sal a la mezcla de cebolla. Deje que hierva, luego reduzca la temperatura y hierva a fuego lento, cubierto por 40 minutos. Al momento de servir, adorne con la crema agria y el tocino desmenuzado. **Se obtienen 8 porciones.**

NOTA: No se necesita remojar las lentejas la noche anterior.



Lasaña de verduras

- | | |
|--|--|
| 8 onzas (225 g) de queso mozzarella magro | 1 paquete de 8 onzas (225 g) de queso crema magro, cortado en trozos |
| 1 cebolla mediana, pelada y cortada en trozos | $\frac{3}{4}$ taza (175 ml) de queso ricota magro |
| 4 dientes de ajo | $\frac{1}{2}$ taza (125 ml) de crema agria magra |
| 4 a 6 onzas (115 a 170 g) de champiñones frescos | 1 huevo |
| 1 cucharadita (5 ml) de aceite vegetal | 2 cucharaditas (10 ml) de condimento italiano deshidratado |
| 2 calabacitas de unas 6 pulgadas (15 cm) cada una, cortadas en trozos | 1 lata de 26 onzas (735 g) de salsa para espagueti |
| 2 onzas (50 g) de queso parmesano, cortado en trozos de $\frac{1}{2}$ pulgada (1 cm) (alrededor de $\frac{1}{3}$ taza [80 ml] rallado) | 6 fideos para lasaña, cocidos |

Usando el disco rebanador/rallador, con el lado rallador hacia arriba, ralle la mozzarella. Colóquela en un tazón pequeño y déjela a un lado. Usando la cuchilla para picar/mezclar, coloque la cebolla y los dientes de ajo en el tazón de procesamiento. Pulse hasta que queden picados en trozos no muy pequeños. Agregue los champiñones al tazón. Continúe pulsando hasta que los champiñones estén picados en trozos no muy pequeños. Coloque las verduras picadas en una sartén grande con aceite sobre fuego mediano. Usando la cuchilla para picar/mezclar, coloque la calabacita en el tazón de procesamiento. Pulse hasta que esté picada en trozos no muy pequeños. Agregue la calabacita a la sartén. Cocine hasta que se ablande, unos 10 minutos; y déjela a un lado. Sin lavar el tazón de procesamiento y usando la cuchilla para picar/mezclar, coloque los trozos de queso parmesano en el tazón y procese a graduación Alta hasta que quede picado en trozos no muy pequeños. Agregue el queso crema, la ricota, la crema agria, el huevo y los condimentos italianos y procese hasta que la mezcla esté cremosa, entre 30 y 40 segundos. Engrase una fuente de hornear de 9x13 pulgadas (33x23 cm). Coloque una capa con la mitad de los fideos, de la mezcla de queso crema, de la mezcla de verduras picadas y de salsa para espagueti. Repita las capas una vez. Espolvoree con mozzarella. Hornee, cubierto a 350° F (180°C) durante 25 minutos. Destape y cocine 10 minutos más. Deje reposar por 10 minutos antes de servir. **Se obtienen 8 porciones.**

NOTA: La mozzarella se rebana o corta con mayor facilidad si se coloca en el congelador por una hora antes de cortarla.

Budín de pan horneado con piñas



- | | |
|---|--|
| 12 rebanadas de pan blanco, en tiras para que pasen por la tolva de alimentos | 1 cucharadita (5 ml) de vainilla |
| 1 lata de 20 onzas (565 g) de trozos de piña, escurridos | 1 cucharada (15 ml) de mantequilla o margarina derretida |
| 2 huevos | 1½ tazas (375 ml) de azúcar |
| 1 taza (250 ml) de leche crema | 3 rodajas de piña, escurridas |

Introduzca la cuchilla para picar/mezclar en el tazón del procesador de alimentos. Luego, con el procesador en marcha, deje caer el pan por la tolva de alimentos para hacer migajas blandas de pan. Vierta en una cacerola engrasada de 2 cuartos (2 L) de galón. Coloque los trozos de piña en el tazón del procesador de alimentos con la cuchilla para picar/mezclar. Procese la piña unos 20 segundos. Agregue huevos, crema, vainilla, mantequilla o margarina derretida y azúcar. Procese hasta que estén mezclados. Vierta la mezcla de piña sobre las migajas blandas de pan. Adorne con los tres anillos de piña superpuestos en el centro. Hornee a 350°F (180°C) por 1 hora o hasta que esté dorado.

Se obtienen 8 porciones.

Manzanas crujientes



- | | |
|---|--------------------------------------|
| 6 manzanas doradas deliciosas grandes peladas, sin centro y cortadas para que encajen en la tolva de alimentos (6 tazas [1,5 L] de rebanadas) | Cobertura: |
| 1 cucharada (15 ml) jugo de limón | ½ taza (125 ml) de manteca derretida |
| ½ taza (125 ml) de azúcar | 1 taza (250 ml) de harina |
| 1 cucharada (15 ml) de harina | 1 taza (250 ml) de azúcar |
| 1 cucharadita (5 ml) de canela | 1 cucharadita (5 ml) de canela |
| ¼ cucharadita (1,25 ml) de nuez moscada | |

Usando el disco rebanador/rallador con el lado rebanador hacia arriba, rebane las manzanas. Coloque las manzanas en un tazón grande. Rocíe el jugo de limón sobre las manzanas. Espolvoree las manzanas con el azúcar, harina, canela y nuez moscada. Revuelva para mezclar, luego coloque las manzanas en un plato para hornear de 2 cuartos de galón (2 L) sin engrasar. Usando la cuchilla para picar/mezclar, coloque los ingredientes de cobertura en el tazón de preparación y pulse hasta que se mezcle. Desmenuce la cobertura sobre las manzanas. Hornee a 375°F (190°C) por 30 minutos. Sírvalo cubierto con helado de vainilla.

Se obtienen 6 porciones.

Hamilton Beach**Proctor Silex**

Grupo HB PS, S.A. de C.V.
Monte Elbruz No. 124 Int. 601
Col. Palmitas Polanco
México, D.F. C.P. 11560
Tel. 52 82 31 05 y 52 82 31 06
Fax. 52 82 3167

PÓLIZA DE GARANTÍA

PRODUCTO:		MARCA:	Hamilton Beach: <input type="checkbox"/> Proctor-Silex: <input type="checkbox"/>	MODELO:	
<p>Hamilton Beach/Proctor-Silex cuenta con una Red de Centros de Servicio Autorizada, por favor consulte en la lista anexa el nombre y dirección de los establecimientos en la República Mexicana en donde usted podrá hacer efectiva la garantía, obtener partes, componentes, consumibles y accesorios; así como también obtener servicio para productos fuera de garantía. Para mayor información llame sin costo: Centro de Atención al consumidor: 01 800 71 16 100</p>					
<p>Grupo HB PS, S.A. de C.V. le otorga a partir de la fecha de compra: GARANTÍA DE 1 AÑO.</p>					
COBERTURA					
<ul style="list-style-type: none"> • Esta garantía ampara, todas las piezas y componentes del producto que resulten con defecto de fabricación incluyendo la mano de obra. • Grupo HB PS, S.A. de C.V. se obliga a reemplazar, reparar o reponer, cualquier pieza o componente defectuoso; proporcionar la mano de obra necesaria para su diagnóstico y reparación, todo lo anterior sin costo adicional para el consumidor. • Esta garantía incluye los gastos de transportación del producto que deriven de su cumplimiento dentro de su red de servicio. 					
LIMITACIONES					
<ul style="list-style-type: none"> • Esta garantía no ampara el reemplazo de piezas deterioradas por uso o por desgaste normal, como son: cuchillas, vasos, jarras, filtros, etc. • Grupo HB PS, S.A. de C.V. no se hace responsable por los accidentes producidos a consecuencia de una instalación eléctrica defectuosa, ausencia de toma de tierra, clavija de enchufe en mal estado, etc. 					
EXCEPCIONES					
<p>Esta garantía no será efectiva en los siguientes casos:</p> <ol style="list-style-type: none"> a) Cuando el producto se hubiese utilizado en condiciones distintas a las normales. (Uso industrial, semi-industrial o comercial.) b) Cuando el producto no hubiese sido operado de acuerdo con el instructivo de uso. c) Cuando el producto hubiese sido alterado o reparado por personas no autorizadas por Grupo HB PS, S.A. de C.V. el fabricante nacional, importador o comercializador responsable respectivo. <p>El consumidor puede solicitar que se haga efectiva la garantía ante la propia casa comercial donde adquirió su producto, siempre y cuando Grupo HB PS, S.A. de C.V. no cuente con talleres de servicio.</p>					
PROCEDIMIENTO PARA HACER EFECTIVA LA GARANTÍA					
<ul style="list-style-type: none"> • Para hacer efectiva la garantía no deben exigirse mayores requisitos que la presentación del producto y la póliza correspondiente, debidamente sellada por el establecimiento que lo vendió. • Para hacer efectiva la garantía, lleve su aparato al Centro de Servicio Autorizado más cercano a su domicilio (consulte la lista anexa). • Si no existe Centro de Servicio Autorizado en su localidad siga las siguientes instrucciones: <ol style="list-style-type: none"> 1. Empaque su producto adecuadamente para que no se dañe durante el traslado. 2. Anote claramente sus datos y los del Centro de Servicio al que está enviando el producto. 3. No incluya partes sueltas ni accesorios para evitar su pérdida. • El tiempo de reparación, en ningún caso será mayor de 30 días naturales contados a partir de la fecha de recepción del producto en nuestros Centros de Servicio Autorizados. • En caso de que el producto haya sido reparado o sometido a mantenimiento y el mismo presente deficiencias imputables al autor de la reparación o del mantenimiento dentro de los treinta días naturales posteriores a la entrega del producto al consumidor, éste tendrá derecho a que sea reparado o mantenido de nuevo sin costo alguno. Si el plazo de la garantía es superior a los treinta días naturales, se estará a dicho plazo. • El tiempo que duren las reparaciones efectuadas al amparo de la garantía no es computable dentro del plazo de la misma. Cuando el bien haya sido reparado se iniciará la garantía respecto de las piezas repuestas y continuará con relación al resto. En el caso de reposición del bien deberá renovarse el plazo de la garantía. 					

DÍA ___ MES ___ AÑO ___	<p>Si desea hacer comentarios o sugerencias con respecto a nuestro servicio o tiene alguna queja derivada de la atención recibida en alguno de nuestros Centros de Servicio Autorizados, por favor dirigirse a:</p> <p>GERENCIA INTERNACIONAL DE SERVICIO (DIMALSA) Prof. Av. La Joya s/n. Esq. Av. San Antonio Col. El Infiernillo C.P. 54878 Cuautitlán, Edo de México Tel. (55) 58 99 62 42 • Fax. (55) 58 70 64 42 Centro de Atención al consumidor: 01 800 71 16 100</p>
-------------------------	--

RED DE CENTROS DE SERVICIO AUTORIZADA GRUPO HB PS, S.A. DE C.V.

Distrito Federal

ELECTRODOMÉSTICOS
 Av. Plutarco Elías Calles No. 1499
 Zacahuitzco MEXICO 09490 D.F.
 Tel: 01 55 5235 2323
 Fax: 01 55 5243 1397

CASA GARCIA
 Av. Patriotismo No. 875-B
 Mixcoac MEXICO 03910 D.F.
 Tel: 01 55 5563 8723
 Fax: 01 55 5615 1856

Nuevo Leon

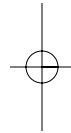
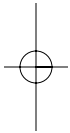
FERNANDO SEPULVEDA REFACCIONES
 Ruperto Martínez No. 238 Ote.
 Centro MONTERREY, 64000 N.L.
 Tel: 01 81 8343 6700
 Fax: 01 81 8344 0486

Jalisco

REF. ECONÓMICAS DE OCCIDENTE,
S.A. DE C.V.
 Garibaldi No. 1450
 Ladrón de Guevara
 GUADALAJARA 44660 Jal.
 Tel: 01 33 3825 3480
 Fax: 01 33 3826 1914

Chihuahua

DISTRIBUIDORA TURMIX
 Av. Paseo Triunfo de la Rep. No. 5289 Local 2 A.
 Int. Hipermart
 Alamos de San Lorenzo
 CD. JUAREZ 32340 Chih.
 Tel: 01 656 617 8030
 Fax: 01 656 617 8030



HAMILTON BEACH ♦ PROCTOR-SILEX, INC.

263 Yadkin Road, Southern Pines, NC 28387

PROCTOR-SILEX CANADA, INC.

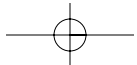
Picton, Ontario K0K 2T0

840122300

hamiltonbeach.com • proctorsilex.com
hamiltonbeach.com.mx • proctorsilex.com.mx

1/04

40



Free Manuals Download Website

<http://myh66.com>

<http://usermanuals.us>

<http://www.somanuals.com>

<http://www.4manuals.cc>

<http://www.manual-lib.com>

<http://www.404manual.com>

<http://www.luxmanual.com>

<http://aubethermostatmanual.com>

Golf course search by state

<http://golfingnear.com>

Email search by domain

<http://emailbydomain.com>

Auto manuals search

<http://auto.somanuals.com>

TV manuals search

<http://tv.somanuals.com>