

Use & Care for Coffee Grinders..... 2
USA: 1-800-851-8900

840101100

IMPORTANT SAFEGUARDS

When using electrical appliances, basic safety precautions should always be followed including the following:

1. Read all instructions.
2. To protect against risk of electrical shock, do not put unit, cord or plug in water or other liquid.
3. Close supervision is necessary when any appliance is used by or near children.
4. Unplug from outlet when not in use, before putting on or taking off parts, and before cleaning.
5. Avoid contacting moving parts.
6. Do not operate any appliance with a damaged cord or plug or after the appliance malfunctions, or is dropped or damaged in any manner. Call our toll free customer service number for information on examination, repair or electrical or mechanical adjustment.
7. The use of attachments not recommended or sold by the manufacturer may cause fire, electric shock or injury.
8. Do not use outdoors.
9. Do not let cord hang over edge of table or counter or touch hot surfaces including stove.
10. Check hopper (bowl) for presence of foreign objects before using.
11. Do not use appliance for other than intended purpose.
12. Do not remove cover until blade has completely stopped rotating.

SAVE THESE INSTRUCTIONS

CONSUMER SAFETY INFORMATION

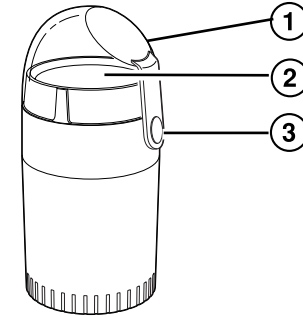
This appliance intended for household use only.

This appliance is equipped with a polarized plug. This type of plug has one blade wider than the other. The plug will fit into an electrical outlet only one way. This is a safety feature intended to help reduce the risk of electrical shock. If you are unable to insert the plug into the outlet, try reversing the plug. If the plug should still fail to fit, contact a qualified electrician to replace the obsolete outlet. Do not attempt to defeat the safety purpose of the polarized plug by modifying the plug in any way.

2

Parts and Features

1. Cover
2. Bowl (inside)
3. Grind Button



Tips for Best Results

- For best flavor, store your coffee beans in a dark, airtight container.
- Grind beans immediately before brewing.
- Coffee flavor and strength is a personal preference. Vary the type of coffee beans, amount of coffee and fineness of grind to find the flavor you prefer.

Ground Coffee Chart

IF MAKING . . .	USE . . .
4 cups of coffee	3 tablespoons ground coffee
8 cups of coffee	5 tablespoons ground coffee
12 cups of coffee	8 tablespoons ground coffee

3

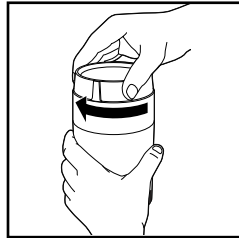
How to Use

1. Before first use, clean the coffee grinder.
2. Hold plug and pull slowly to release stored cord. With coffee grinder unplugged, remove cover by lifting straight up. Place ½ cup of coffee beans in the bowl.
3. Replace cover. Plug into 120 volt electrical outlet.
4. Press grind button. Grind 10 to 20 seconds, depending on amount and desired grind; coarse for percolators and medium to fine for drip coffeemakers.

NOTE: The coffee grinder will only operate with cover in place and grind button pressed.

How To Clean

1. Unplug from outlet before cleaning.
2. Carefully wipe the bowl and blades with a soft, damp cloth. Be careful cleaning around sharp blades. Rinse and dry cover.
3. Wipe the outside with a damp cloth.
4. Hold bottom of coffee grinder and turn top portion to wind cord for storage inside grinder.



Do not immerse coffee grinder in water or other liquid.

Customer Service/Warranty

If you have a question about your appliance, call our toll-free customer service number. Before calling, please note the model, type, and series numbers and fill in that information below. These numbers can be found on the bottom of your appliance.

MODEL: _____ **TYPE:** _____ **SERIES:** _____

LIMITED WARRANTY

This product is warranted to be free from defects in material and workmanship for a period of one hundred eighty (180) days from the date of original purchase, except as noted below. During this period, we will repair or replace this product, at our option, at no cost. THE FOREGOING WARRANTY IS IN LIEU OF ANY OTHER WARRANTY, WHETHER EXPRESS OR IMPLIED, WRITTEN OR ORAL INCLUDING ANY WARRANTY OF MERCHANTABILITY OR FITNESS FOR A PARTICULAR PURPOSE. ANY LIABILITY IS EXPRESSLY LIMITED TO AN AMOUNT EQUAL TO THE PURCHASE PRICE PAID, AND ALL CLAIMS FOR SPECIAL, INCIDENTAL AND CONSEQUENTIAL DAMAGES ARE HEREBY EXCLUDED. There is no warranty with respect to the following, which may be supplied with this product: glass parts, glass containers, cutter/strainer, blades and/or agitators. This warranty extends only to the original consumer purchaser and does not cover a defect resulting from abuse, misuse, neglect, use for commercial purposes, or any use not in conformity with the printed directions. This warranty gives you specific legal rights, and you may also have other legal rights which vary from state to state, or province to province. Some states or provinces do not allow limitations on implied warranties or special, incidental or consequential damages, so the foregoing limitations may not apply to you.

If you have a claim under this warranty, DO NOT RETURN THE APPLIANCE TO THE STORE! Please call our CUSTOMER SERVICE NUMBER. (For faster service please have model, series, and type numbers ready for operator to assist you.)

CUSTOMER SERVICE NUMBERS

In the U.S. 1-800-851-8900

In the Canada 1-800-267-2826

Web site address: www.proctorsilex.com

KEEP THESE NUMBERS FOR FUTURE REFERENCE!

HAMILTON BEACH PROCTOR-SILEX, INC. PROCTOR-SILEX CANADA, INC.
263 Yadkin Road Picton, Ontario K0K 2T0
Southern Pines, NC 28387

840101100

Web site address: www.proctorsilex.com

4/02

Free Manuals Download Website

<http://myh66.com>

<http://usermanuals.us>

<http://www.somanuals.com>

<http://www.4manuals.cc>

<http://www.manual-lib.com>

<http://www.404manual.com>

<http://www.luxmanual.com>

<http://aubethermostatmanual.com>

Golf course search by state

<http://golfingnear.com>

Email search by domain

<http://emailbydomain.com>

Auto manuals search

<http://auto.somanuals.com>

TV manuals search

<http://tv.somanuals.com>