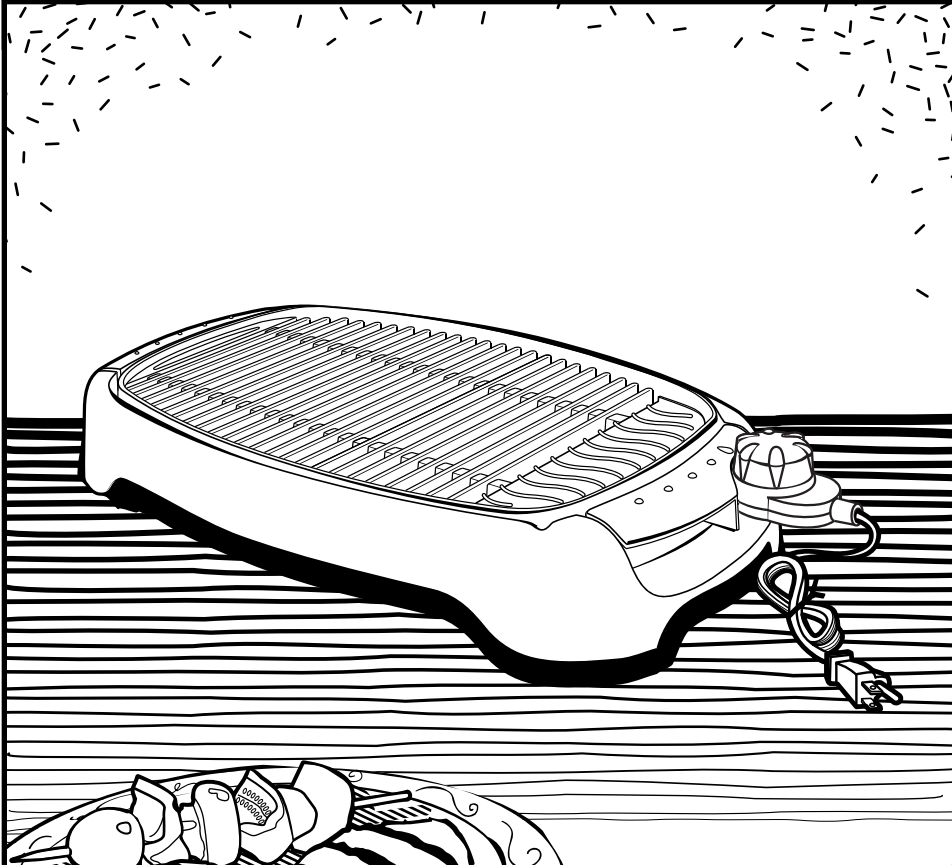


# *HealthSmart Indoor / Outdoor Grill*

*Gril-santé pour l'intérieur / extérieur*

*Parrilla Interior / Exterior*



**READ BEFORE USE**  
**LIRE AVANT L'UTILISATION**  
**LEA ANTES DE USAR**

English ..... 2  
**USA: 1-800-851-8900**

Français ..... 17  
**Canada : 1-800-267-2826**

Español ..... 32  
**México: 01 800 71 16 100**

Le invitamos a leer cuidadosamente este instructivo antes de usar su aparato.

840138000

## **WARNING**

### **Shock Hazard**

- Do not immerse this appliance in water or other liquid.
- If the plug on this appliance does not fit in your outlet:
  - Do not modify the plug.
  - Do not use an adaptor.
  - Have an electrician replace the obsolete outlet.

## **IMPORTANT SAFEGUARDS**

When using electrical appliances, basic safety precautions should always be followed, including the following:

1. Read all instructions. Keep these instructions for future use.
2. Do not touch hot surfaces. Use handles or knobs.
3. To protect against electrical shock, do not immerse cord assembly or plug in water or other liquid.
4. Close supervision is necessary when any appliance is used by or near children.
5. Unplug from outlet when not in use and before cleaning. Allow to cool before putting on or taking off parts and before cleaning the appliance and before moving the appliance.
6. Always attach plug to appliance first, then plug cord into the wall outlet. To disconnect, turn control to off (MIN) and remove plug from wall outlet.
7. Do not leave the appliance unattended when in use.
8. Do not operate any appliance with a damaged cord or plug, or after the appliance malfunctions, or is dropped or damaged in any manner. Call our toll-free customer service number for information on examination, repair, or adjustment.
9. Do not let cord hang over edge of table or counter, or touch hot surfaces, including the stove.
10. Do not place on or near a hot gas or electric burner, or in a heated oven.
11. Always use the appliance on a dry level surface.
12. Do not use appliance for other than intended use.
13. Use extreme caution when moving an appliance containing hot oil or other hot liquids.
14. Always unplug grill and then remove cord before attempting to move the grill.
15. The use of accessory attachments not recommended by Hamilton Beach/Proctor-Silex, Inc. may cause injuries.
16. Do not use without base in place. Clean after each use.
17. Fuel, such as charcoal briquettes, is not to be used with appliance.
18. Use only on properly grounded outlet.
19. When in operation, a fire may occur if the grill is touching or near flammable material, including curtains, draperies, walls, backsplashes, cabinets and the like.

## **SAVE THESE INSTRUCTIONS!**

## Other Consumer Safety Information

**This appliance is intended for household use only.**

The length of the cord used on this appliance was selected to reduce the hazards of becoming tangled in, or tripping over a longer cord. If a longer cord is necessary an approved extension cord may be used. The electrical rating of the extension cord must be equal to or greater than the rating of the coffeemaker. Care must be taken to arrange the extension cord so that it will not drape over the countertop or tabletop where it can be pulled on by children or accidentally tripped over.

Do not leave this appliance unattended while in use.

**WARNING:** To reduce risk of fire do not allow flammable materials such as curtains, draperies, walls, cabinets, backsplashes and the like to touch any part of the grill or grilling surface when the grill is in operation.

Place grill at least 6 inches away from walls, appliances or any object which could be damaged by heat.

**WHEN USING OUTDOORS:**

**CAUTION:** To ensure continued protection against risk of electric shock, connect to properly grounded outlets only.

**WHEN USING AN EXTENSION CORD OUTDOORS:**

**CAUTION:** To reduce the risk of electric shock, keep extension cord connection dry and off the ground.

Outdoor extension cords should be used with outdoor use products and are surface marked with suffix letters "W-A" and with a tag stating "Suitable for Use with Outdoor Appliances."

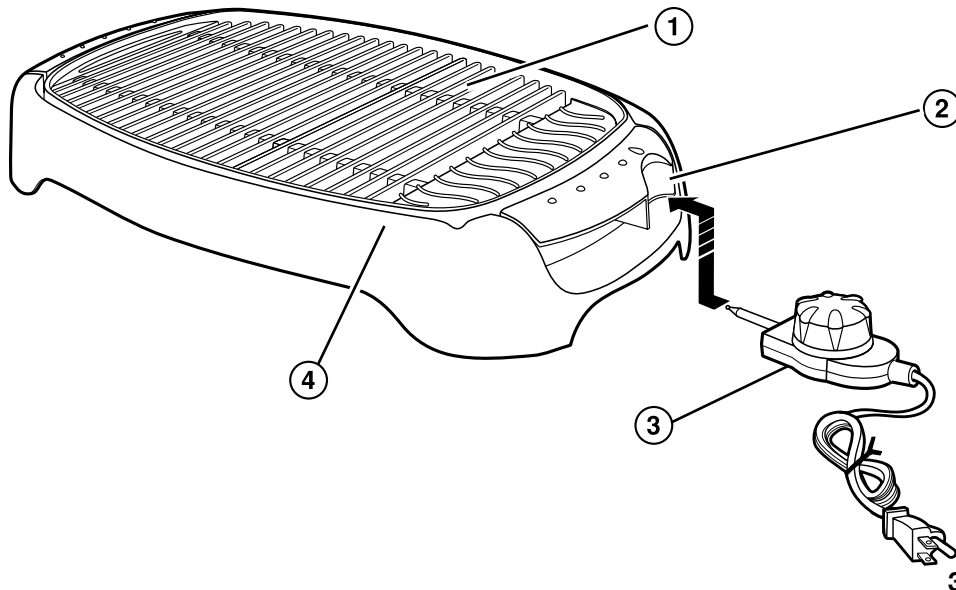
Store unit indoors, out of reach of children.

Do not clean this product with a water spray or the like.

## Parts and Features

**Before First Use:** Wash the grill and base in hot, soapy water. Rinse and dry thoroughly. Do not immerse power cord in water or other liquid.

- |                    |               |
|--------------------|---------------|
| 1. Grill           | 3. Power Cord |
| 2. Cord Receptacle | 4. Base       |



## How to Grill

1. Set base on countertop. Place grill on base correctly.
2. Plug power cord into the cord receptacle, then plug into outlet. The indicator light on the power cord will glow.
3. Preheat 5 to 10 minutes before grilling.
4. When finished grilling, turn control to MIN. Then remove plug from outlet, then from cord receptacle.
5. Let grill cool completely. Carefully dispose of any grease. Clean grill.

### Variable Heat Power Cord

---

- The variable heat power cord offers heat settings from 1 (low) to 5 (high). The recipes and cooking chart were developed using setting 5. The additional heat settings can be used for more versatile cooking options.
- Settings 3 and 4 are for thick cuts of meat or large pieces of bone-in chicken. These settings will assure thorough cooking without drying out the food. Start cooking at the higher setting then reduce heat if needed. Settings 1 and 2 should be used to keep food warm after it has been cooked. **Always make sure the power cord is turned to MIN and unplugged from wall outlet before inserting or removing the power cord.**

### Great Grilling Tips

---

- Please remember that your grill is coated with a nonstick surface and that plastic utensils should always be used.
- If grilling vegetables, fish, or lean meat, spray the grilling surface with a cooking spray. If grilling meat with any amount of fat, or if the food has been marinated, there is no need to treat the grill.
- For best results, preheat the grill for 5 to 10 minutes before grilling.
- Skewers are available in most large supermarkets. If using the disposable, wooden type skewers, soak the skewers in water at least 10 minutes before threading on food. This prevents the skewer from scorching and makes a more attractive presentation.
- If using a marinade with oil, place grill near an exhaust hood. Oil or fat will produce some smoke.

## Cooking Chart

| Food                         | Approximate Time (Minutes)         | Doneness Test                          |
|------------------------------|------------------------------------|--|
| Bacon                        | 4 to 8                             | Desired doneness                       |
| Steaks, beef<br>½-inch thick | 8 to 15                            | Desired doneness                       |
| Pork chops,<br>½-inch thick  | 15 to 20                           | Until no longer pink                   |
| Chicken breasts,<br>boneless | 25 to 30                           | Pierce with knife;<br>juice runs clear |
| Hamburgers<br>½-inch thick   | 8 to 10                            | Until no longer pink                   |
| Sausage links<br>or patties  | 12 to 15 minutes                   | Until no longer pink                   |
| Hot dogs                     | 8 to 10 minutes                    | Hot through                            |
| Fish fillets                 | 10 minutes per<br>1-inch thickness | Opaque and flakes<br>with fork         |

## How to Clean

- Let grill cool. Carefully dispose of any grease.
- Wash the grill and base in hot, soapy water. Use a nylon or plastic scouring pad and a non-abrasive liquid cleanser. Do not use metal scouring pads.
- Rinse and let dry.
- The grill and base can also be washed in a dishwasher after cooling and disposing of any grease.
- Never immerse the power cord in water or place in the dishwasher. To clean, wipe with a damp cloth.

**NOTE:** Do not leave the grill on to “burn off” any food or drippings remaining on the grill surface after cooking. In addition to causing unnecessary smoke this can reduce the life of the nonstick coating and may present a fire hazard.

# Recipes



Indicates preparation and grilling times.

## Grilling Guidelines

- **Grilling Times:** Recipe cooking times are estimates. Cooking time will vary based on the temperature of the grill, the surrounding air, and the food itself. Watch food carefully while grilling and adjust the cooking time as necessary.
- **Marinating Tips:** Never marinate foods in metal containers for extended lengths of time (2 or more hours). The acids in foods can react with metal, causing an unpleasant taste. Instead, use glass, ceramic, or plastic bag containers for marinating.
- **Meat Safety Tip:** To reduce the risk of spoiling, store meat in the refrigerator until you're ready to cook. Never thaw or marinate meat at room temperature, especially in warm climates.
- Never use leftover marinade as a finishing sauce on cooked foods. The leftover marinade must first be boiled for one to two minutes to kill any bacteria from the raw food that was marinated.
- Although some cookbooks may say to bring your food to room temperature before cooking, with few exceptions, we don't recommend this tip for grilled foods. If the temperature is in the 80s or 90s, foods can spoil quickly.
- **Nonstick Grilling Tip:** Without the use of oil, certain foods will stick slightly to nonstick surfaces. This is easily prevented. Before turning on your grill, brush or spray the grids lightly with oil or nonstick cooking spray. (Never add oil or spray to a heated grill—this is dangerous.)
- Always read all safety information.

The following recipes are from *Grilling For Dummies*® by Marie Rama and John Mariani. Copyright® 1998 IDG Books Worldwide, Inc. All rights reserved. Reproduced here by permission of the publisher. ...For Dummies is a registered trademark of IDG Books Worldwide, Inc.

Basic Burger and "Vary It" Ideas  
 Western Beef Kabobs with Peppers and Onions  
 Grilled Steak 101  
 Texas Beef Barbecue  
 Jerk-Seasoned Chicken Breasts  
 Spicy Chili Chicken Wings  
 Grilled Potato Planks  
 Grilled Tomatoes with Cumin Butter  
 Tomato Brushetta

## Basic Burger

---



Preparation time: 15 minutes

Grilling time: 14-20 minutes

Yield: 4 servings

1½ pounds ground chuck  
¼ teaspoon salt, or to taste

¼ teaspoon pepper  
4 hamburger buns

1. Combine the ground chuck, salt, and pepper in a medium mixing bowl, mixing lightly but thoroughly, using your hands. Shape the mixture into four patties, each  $\frac{3}{4}$  inch thick in the center and at the edges. (Even thickness ensures even cooking and prevents the edges from drying out before the center is cooked.)
2. Place the patties on grill. Grill for 7 to 10 minutes per side, turning once. (According to the U.S. Department of Agriculture, all ground meat should be cooked to at least medium doneness—160°F—or until the center of the patty is no longer pink.) Make a small incision in the center of each patty to determine doneness.
3. Toast the buns by placing them, split side down, on the edges of the grill grid for about 1 minute or until lightly browned.
4. Remove the burgers from the grill and serve on toasted hamburger buns.

### Variation Section:

**Italian Burger:** Add the following ingredients to the ground meat mixture: 1 egg yolk,  $\frac{1}{4}$  cup grated onion, 1 large clove garlic minced, 2 tablespoons chopped fresh basil or 2 teaspoons dried crushed basil,  $\frac{1}{2}$  teaspoon dried oregano, and salt and pepper to taste. Place grated Parmesan cheese on top of each burger (if desired) about 2 minutes before the burger is done and grill until the cheese melts.

**Mexican Burger:** Add the following ingredients to the ground meat mixture:  $\frac{1}{4}$  cup finely chopped onion,  $\frac{1}{2}$  to 1 teaspoon seeded and chopped jalapeno pepper,  $\frac{3}{4}$  teaspoon ground cumin, and salt and pepper to taste. Serve on toasted buns or in warmed tortillas with a prepared tomato salsa or taco sauce, and slices of ripe avocado.

**Asian Spiced Burger:** Add the following ingredients to the ground meat mixture:  $\frac{1}{4}$  cup finely chopped scallions, 3 tablespoons teriyaki sauce, 1 large clove garlic, minced, and salt and pepper to taste.

## Western Beef Kabobs with Peppers and Onions



Preparation time: 25 minutes

Marinating time: 6 hours or overnight

Grilling time: 14-16 minutes

Yield: 4 servings

|  |   |
|--|---|
| 1½ to 2 pounds sirloin, or other tender beef such as top loin or round tip steak | 6 tablespoons vegetable oil                       |
| 2 medium red peppers   | 3 cloves garlic, peeled and coarsely chopped      |
| 1 medium onion   | 1 to 2 large jalapeno peppers, seeded and chopped |
| ½ cup apple juice, divided   | ¾ teaspoon cumin                                  |
| 6 tablespoons lime juice (about 3 large limes)                                   | 1½ teaspoons chili powder                         |
| 1½ teaspoons grated lime peel  | ½ teaspoon paprika                                |
|  | Salt and pepper to taste                          |
|  | 2 tablespoons butter                              |

- Working on a cutting board, trim all visible fat from the beef; cut the meat into cubes of about 1½ inches. Place the cubes in a large, resealable plastic bag or other non-reactive container.
- Core and seed the red peppers and slice them into strips about 1½ inches wide; slice each strip crosswise into 1- to 2-inch pieces. Cut the onion in half lengthwise and remove the skin. Cut each half into thirds, break them apart into slices. Place the peppers and onions in the bag or container with the beef cubes.
- Combine 6 tablespoons of the apple juice with the lime juice, grated lime peel, oil, garlic, jalapeno peppers, cumin, chili powder, and paprika, in a blender container, whirl the mixture for a few seconds into a coarse puree. Pour the resulting marinade over the beef and vegetables, seal the bag or cover the container, and refrigerate for at least 6 hours or overnight, turning occasionally.
- Remove the beef from the marinade. Reserve any remaining marinade and place in a small saucepan. Thread 3 to 4 beef cubes, alternating with pieces of pepper and onion, on skewers. (Soak wooden skewers in water for at least 30 minutes to prevent them from burning.) Sprinkle kabobs with salt and pepper.
- Place skewers on grill. Grill the kabobs for about 14 to 16 minutes for medium, turning every 5 to 6 minutes.
- As the kabobs grill, bring the marinade in the saucepan to a boil over high heat on top of the stove, reduce heat and simmer for 1 minute. Whisk in 2 tablespoons butter and 2 tablespoons of the remaining apple juice. Spoon sauce over the grilled kabobs just before serving.



## Grilled Steak 101

---



Preparation time: 5 minutes

Grilling time: 35-45 minutes

Yield: 4 servings

2 tablespoons olive oil  
2 boneless sirloin beef steaks,  
cut 1-inch thick (about 2 pounds total)

1 clove garlic, crushed  
Salt and pepper to taste

1. In a small bowl, combine the olive oil and garlic. Generously rub or brush the flavored oil on both sides of the steaks. Sprinkle the steaks lightly with salt and pepper.
2. Place the steaks on the grill. Grill 35 to 45 minutes for medium doneness, turning every 15 minutes.
3. Remove the steaks from the grill, cover loosely with foil and let the steaks rest for a few minutes before thinly slicing across the grain. Season with salt and additional pepper (if desired) before serving.

## Texas Beef Barbecue

---



Preparation time: 10 minutes

Marinating time: 3 hours or overnight

Grilling time: 35-45 minutes for medium-rare

Yield: 4 servings

1 cup bottled chili sauce  
1 teaspoon ground cumin  
½ cup beer  
½ teaspoon dried red pepper flakes  
⅓ cup vegetable oil

¼ cup finely chopped green onion  
(white and green parts)  
1 boneless beef top round steak,  
cut 1-inch thick (about 1½ to 2 pounds)  
3 tablespoons chili powder  
Salt to taste (optional)

1. In a medium bowl, make the marinade by combining all the ingredients except the steak.
2. Place the steak in a glass baking dish or a large, resealable plastic bag. Pour the marinade over the steak, turning to coat. Cover the dish or seal the bag, pressing out as much air as possible. Refrigerate 3 hours or overnight.
3. Remove the steak from the marinade, shaking off any excess. Discard the marinade, if desired, sprinkle the steak with salt. Place the steak on the grill and grill 35 to 45 minutes for medium doneness, turning every 15 minutes.
4. Transfer the steak to a cutting board and let stand for 5 minutes, loosely covered with foil. Thinly slice across the grain.

## Jerk-Seasoned Chicken Breast



Preparation time: 15 minutes

Marinating time: 6 hours or overnight

Grilling time: 30-35 minutes

Yield: 4 to 6 servings

- |  |  |
|--|--|
| 8 boneless, skinless chicken breast halves (about 2 or 3 pounds) | 1 small jalapeno pepper, seeded and finely chopped |
| ¼ cup vegetable oil  | 1 teaspoon brown sugar, packed                     |
| ¼ cup orange juice   | ½ teaspoon kosher salt, or to taste                |
| 3 scallions, finely chopped (green and white parts)              | ½ teaspoon ground allspice                         |
| 4 medium cloves garlic, peeled and finely chopped                | ½ teaspoon dried leaf thyme                        |
| 2 tablespoons lime juice   | ½ teaspoon cinnamon                                |
| 2 tablespoons soy sauce  | ¼ teaspoon cayenne pepper                          |
|  | ¼ teaspoon nutmeg                                  |

1. Trim the breasts of any loose fat; rinse them under cold running water and pat dry with paper towels.
2. In a medium bowl, combine the remaining ingredients, beating with a fork or whisk to incorporate the spices into the oil and orange juice.
3. Place the breasts in a large, resealable plastic bag or shallow dish; pour the marinade over the breasts. Seal the bag, pressing out any air, or cover the dish; refrigerate 6 hours or overnight, turning occasionally to coat the breasts in the marinade.
4. Remove the chicken breasts from the marinade; discard the marinade. Place the chicken breasts on the grill. Grill 30 to 35 minutes or until done, turning every 10 minutes. To test for doneness, cut into the breasts; the meat should be white and moist, with no sign of pink.

## Spicy Chili Chicken Wings



Preparation time: 20 minutes

Marinating time: 2 to 4 hours

Grilling time: 25-30 minutes

Yield: 4 main dish servings or 8 to 10 appetizer servings

- |   |   |
|---|---|
| 3 to 3½ pounds chicken wings (about 15 to 18 wings) | 2 teaspoons paprika                           |
| 3 tablespoons olive oil                             | 1 teaspoon peeled and grated ginger           |
| 3 tablespoons fresh lime juice                      | 1 teaspoon salt, or to taste                  |
| 4 large cloves garlic, peeled and minced            | ½ teaspoon hot chili powder or cayenne pepper |
| 2 teaspoons ground cumin                            | ½ teaspoon cinnamon                           |
| 2 teaspoons ground coriander                        |   |

1. Rinse the chicken wings under cold running water and pat dry with paper towels. Cut off the wing tips at the joints and discard the tips. (Or wrap and freeze tips to use later to add flavor to canned or homemade soups and stocks.)

2. Combine all the remaining ingredients in a large, resealable plastic bag or mixing bowl, blending them well.
3. Add the chicken wings; toss well to coat the wings in the oil-spice mixture. Seal the bag, pressing out any air, or cover the bowl; refrigerate for 2 to 4 hours.
4. Place the wings on the grill. Grill for 25 to 30 minutes or until done, turning with tongs every 10 minutes to prevent burning and to ensure even cooking. To test for doneness, cut into the thickest part of the wing, the meat should be white, with no trace of pink and the juices should run clear.

## Grilled Potato Planks

---



Preparation time: 15 minutes  
 Marinating time: 30 minutes to 1 hour  
 Grilling time: 15 minutes  
 Yield: 4 servings

- |  |   |
|--|---|
| 4 medium potatoes<br>(about 1½ pounds total), scrubbed | 1 teaspoon dried marjoram, oregano,<br>or dill    |
| 6 tablespoons extra-virgin olive oil                   | ½ teaspoon Tabasco sauce, or to taste             |
| 1½ tablespoons white wine vinegar                      | ½ teaspoon kosher salt, or table salt to<br>taste |
| 2 cloves garlic, peeled and finely minced              | Pepper to taste                                   |

1. Cut the potatoes lengthwise into ½-inch-thick slices. Place the slices in a medium saucepan with enough lightly salted water to cover. Cover the pan and bring to a boil. Boil for 5 minutes or until nearly tender when pierced with the blade of a thin, sharp knife; drain thoroughly. Place the potatoes in a large, shallow baking dish.
2. Make the marinade by combining the remaining ingredients; pour the marinade over the warm potato slices, turning to coat. Cover and let stand for 30 minutes to 1 hour.
3. Before grilling, brush both sides of the potatoes with the marinade, being sure to include bits of garlic and herb. Place the potatoes on the grill, grill until lightly browned, for 6 to 8 minutes. Turn and grill until lightly browned and crisp on the second side, 6 to 8 minutes more. If desired, season before serving with additional salt and pepper and Tabasco sauce.

## Grilled Tomatoes with Cumin Butter



Preparation time: 10 minutes

Grilling time: 5-6 minutes

Yield: 4 servings

2½ tablespoons butter  
1 teaspoon ground cumin

Salt and pepper to taste  
2 large, firm ripe tomatoes, sliced  
about ¾-inch thick

1. Melt the butter in a small saucepan; remove from heat and stir in the cumin and salt and pepper.
2. Brush the tomato slices on one side with half of the cumin butter. Place them, brushed side down, on the grill and grill for 2 to 3 minutes or until very lightly browned on one side.
3. Brush the tops of the tomatoes with the remaining cumin butter. Turn and grill for 2 to 3 minutes more or until very lightly browned, but not falling apart.

## Tomato Bruschetta



Preparation time: 15 minutes

Grilling time: 4 minutes

Yield: 6 to 8 appetizer servings

|  |  |
|--|--|
| 2 large red ripe tomatoes (about<br>1¼ pounds), cored, seeded, and diced | 1 clove garlic, peeled and minced                                    |
| ½ cup coarsely chopped fresh basil                                       | 1 teaspoon balsamic or red wine vinegar                              |
| 2 tablespoons peeled and diced<br>red onion, (optional)                  | Salt and pepper  |
| About ¼ cup extra-virgin olive oil, divided                              | 12 slices crusty French bread, cut<br>diagonally, about ¾ inch thick |
|  | 3 cloves garlic, peeled and halved                                   |

1. In a small bowl, combine the tomatoes, basil, red onion (if desired), 2 tablespoons of the olive oil, the minced garlic, vinegar, and salt and pepper. Cover and let stand at room temperature for at least 30 minutes but not longer than 2 hours.
2. Place the bread slices on the grill. Grill for 4 to 5 minutes or until the bread is lightly toasted and golden on both sides, turning once.
3. Remove and immediately rub the edges and one side of each slice with a garlic clove half. (Use a half clove for every 2 slices.) Drizzle about ½ teaspoon of olive oil onto the garlic-rubbed side of each slice.
4. Stir the tomato mixture with a large spoon to thoroughly moisten; top each bread slice with about 1½ tablespoons of the tomato mixture. Place on a platter and serve immediately.



## Heartland Barbecue Pork Chops

Recipe Courtesy of the National Pork Producers Council



Preparation Time: 5 minutes  
Cooking Time: 30 minutes  
Servings: 4

### Nutritional Information Per Serving

| Nutrient        |  | Per Serving |
|-----------------|--|-------------|
| Serving Size: 1 |  |             |
| Calories        |  | 371         |
| Total Fat       |  | 11g         |
| Cholesterol     |  | 104mg       |
| Sodium          |  | 382mg       |
| Protein         |  | 39g         |

4 pork chops, bone-in or boneless,  
about 1¼ inch thick  
½ cup bottled barbecue sauce  
⅓ cup honey

1 tablespoon Worcestershire sauce  
1 teaspoon prepared mustard  
Dash hot pepper sauce

For sauce, mix all ingredients except pork chops together in a small bowl. Place pork chops on the grill. Grill chops for about 10 minutes, until nicely browned on one side; turn and brush liberally with sauce. Grill for 10 minutes more; turn and brush with more sauce. Grill for 5 to 10 minutes more, turning and brushing with sauce. Discard any leftover sauce. Serve chops immediately.

## Southwestern Grilled Pork Tenderloin

Recipe Courtesy of the National Pork Producers Council



Marinating time: 2 to 24 hours  
Preparation time: 10 minutes  
Cooking time: 50-55 minutes  
Servings: 6

### Nutritional Information Per Serving

| Nutrient            |  | Per Serving |
|---------------------|--|-------------|
| Serving Size: 3 oz. |  |             |
| Calories            |  | 154         |
| Total Fat           |  | 6g          |
| Cholesterol         |  | 66mg        |
| Sodium              |  | 141mg       |
| Protein             |  | 26g         |

2 whole pork tenderloins,  
about 1½ pounds total  
5 teaspoons chili powder  
1½ teaspoons oregano

¾ teaspoon ground cumin  
2 garlic cloves, crushed  
1 tablespoon vegetable oil

In a small bowl, mix well all seasonings and vegetable oil. Rub mixture over all surfaces of tenderloins. Cover and refrigerate 2 to 24 hours. Grill, turning occasionally, for 50 to 55 minutes, until thermometer inserted reads 155 to 160°F. Pork is done when there is still a hint of pink in the center. Slice to serve.

## Spicy Grilled Shrimp

|                                   |  |
|-----------------------------------|--|
| ½ cup soy sauce                   | 2 tablespoons fresh minced ginger                      |
| 1 tablespoon olive oil            | 2 teaspoons dry mustard                                |
| 1 tablespoon sesame oil           | 2 teaspoons hot pepper sauce                           |
| 5 tablespoons cajun seasoning mix | 32 large raw shrimp, peeled and deveined, but tails on |
| 2 tablespoons fresh lemon juice   |  |

Combine all ingredients except shrimp. Mix well then add shrimp. Marinate 1 to 4 hours. Drain marinade and discard. Place shrimp on grill and cook 2 minutes. Turn and cook 2 minutes longer or until done.

## Sesame Soy Sea Scallops

|                                 |                          |
|---------------------------------|--------------------------|
| 1 tablespoon sesame oil         | ⅛ teaspoon ground ginger |
| 2 tablespoons white wine        | Dash garlic salt         |
| ¼ cup tamari sauce or soy sauce | Dash pepper              |
| 1 teaspoon crushed garlic       | 1 pound sea scallops     |

Combine all ingredients and let marinate in refrigerator for 30 minutes to 1 hour. Thread onto skewers. Place on grill and cook for 5 minutes or until done. Turn halfway through cooking time. Makes 4 servings.

## Crispy Grilled Sea Trout

|                            |                     |
|----------------------------|---------------------|
| ¼ cup bread crumbs         | 1 teaspoon tarragon |
| 1 tablespoon dried parsley | 1 egg white         |
| 1 teaspoon garlic salt     | ¾ pound sea trout   |

Combine bread crumbs, parsley, garlic salt, and tarragon; set aside. Beat egg white with fork or whisk until frothy. Dip fish in egg white then coat with bread crumb mixture. Place on grill and cook 5 minutes. Turn and cook 5 minutes more or until done. Makes 2 servings.

## Salmon with Dill

|                         |                      |
|-------------------------|----------------------|
| ½ pound salmon steak    | 1 teaspoon dill weed |
| 1 tablespoon lime juice |                      |

Brush salmon with lime and sprinkle with dill weed. Spray grill with cooking spray. Cook salmon 4 minutes. Turn and cook 4 minutes or until done. Makes 2 servings.

## Mahi Mahi with Ginger and Dill

|                         |                                     |
|-------------------------|-------------------------------------|
| ¼ cup lime juice        | ¼ teaspoon fresh grated ginger root |
| ¼ teaspoon black pepper | ¼ teaspoon dill weed                |
|                         | ¾ pound mahi mahi (or monkfish)     |

Combine lime juice, pepper, ginger root, and dill weed. Marinate fish in this mixture for 2 hours. Place on grill and cook 5 minutes. Turn and cook 5 minutes more or until done. Makes 2 servings.

# Customer Service

If you have a question about your grill, call our toll-free customer service number. Before calling, please note the model, type, and series numbers and fill in that information below. This information will help us answer your question much more quickly.

**MODEL:** \_\_\_\_\_ **TYPE:** \_\_\_\_\_ **SERIES:** \_\_\_\_\_

**This warranty applies to products purchased in the U.S. or Canada.**

## LIMITED WARRANTY

This product is warranted to be free from defects in material and workmanship for a period of one (1) year for Hamilton Beach products or one hundred eighty (180) days for Proctor-Silex and Traditions products from the date of original purchase, except as noted below. During this period, we will repair or replace this product, at our option, at no cost. THE FOREGOING WARRANTY IS IN LIEU OF ANY OTHER WARRANTY OR CONDITION, WHETHER EXPRESS OR IMPLIED, WRITTEN OR ORAL INCLUDING, WITHOUT LIMITATION, ANY STATUTORY WARRANTY OR CONDITION OF MERCHANTABILITY OR FITNESS FOR A PARTICULAR PURPOSE. ANY LIABILITY IS EXPRESSLY LIMITED TO AN AMOUNT EQUAL TO THE PURCHASE PRICE PAID, AND ALL CLAIMS FOR SPECIAL, INCIDENTAL AND CONSEQUENTIAL DAMAGES ARE HEREBY EXCLUDED. There is no warranty with respect to the following, which may be supplied with this product, including without limitation: glass parts, glass containers, cutter/strainers, blades, seals, gaskets, clutches, motor brushes, and/or agitators, etc. This warranty extends only to the original consumer purchaser and does not cover a defect resulting from abuse, misuse, neglect including failure to clean product regularly in accordance with manufacturer's instructions, use for commercial purposes, or any use not in conformity with the printed directions. This warranty gives you specific legal rights, and you may also have other legal rights which vary from state to state, or province to province. Some states or provinces do not allow limitations on implied warranties or special, incidental or consequential damages, so the foregoing limitations may not apply to you.

If you have a claim under this warranty, DO NOT RETURN THE APPLIANCE TO THE STORE! Please call our CUSTOMER SERVICE NUMBER. (For faster service please have model, series, and type numbers ready for operator to assist you.)

### CUSTOMER SERVICE NUMBERS

In the U.S. 1-800-851-8900

In Canada 1-800-267-2826

[hamiltonbeach.com](http://hamiltonbeach.com) or [proctorsilex.com](http://proctorsilex.com)

**KEEP THESE NUMBERS FOR FUTURE REFERENCE!**





## AVERTISSEMENT

### Risque d'électrocution

- N'immergez pas cet appareil dans l'eau ou tout autre liquide.
- Si la fiche de cet appareil refuse de s'introduire dans la prise :
  - Ne modifiez pas la fiche.
  - N'utilisez pas un adaptateur.
  - Demandez à un électricien de remplacer la prise électrique désuète.

## IMPORTANTES INSTRUCTIONS

Lors de l'utilisation du gril-santé, des précautions de sécurité doivent toujours être observées y compris ce qui suit :

1. Lire toutes les instructions. Garder ces instructions pour usage ultérieur.
2. Ne pas toucher les surfaces chaudes. Utiliser les poignées ou les boutons.
3. Pour protéger contre le risque de choc électrique, ne pas immerger le montage du cordon ou la fiche dans l'eau ou autre liquide.
4. Une bonne surveillance est nécessaire pour tout appareil utilisé par des enfants ou près d'eux.
5. Débrancher l'appareil de la prise de courant électrique lorsqu'il n'est pas utilisé et avant le nettoyage. Le laisser refroidir avant d'y ajouter ou d'y enlever des pièces et avant le nettoyage de l'appareil et avant de déplacer l'appareil.
6. Toujours brancher la fiche sur l'appareil en premier, ensuite brancher le cordon dans la prise murale. Pour le déconnecter, tourner la commande à off (MIN) et débrancher la fiche de la prise murale.
7. Ne pas laisser l'appareil sans surveillance lors de son utilisation.
8. Ne pas faire fonctionner l'appareil avec un cordon ou une fiche endommagés, ou lorsque l'appareil ne fonctionne pas bien ou a été endommagé d'une manière quelconque. Veuillez composer notre numéro d'assistance aux clients sans frais d'interurbain, pour des renseignements concernant l'examen, la réparation ou le réglage.
9. Ne pas laisser le cordon pendre du bord d'une table ou d'un comptoir, ou toucher des surfaces chaudes, y compris la cuisinière.
10. Ne pas placer l'appareil sur ou près d'un brûleur chaud à gaz ou électrique, ou dans un four chauffé.
11. Toujours utiliser l'appareil sur une surface à niveau et sèche.
12. Ne pas utiliser l'appareil pour toute autre fin que son utilisation déterminée.
13. Utiliser une précaution extrême lors du déplacement d'un appareil contenant de l'huile chaude ou autre liquide chaud.
14. Toujours débrancher le gril et enlever ensuite le cordon avant de déplacer le gril.
15. L'utilisation d'accessoires non recommandés par Hamilton Beach/Proctor-Silex, Inc. peut causer des blessures.
16. Ne pas utiliser sans que le plat ramasse-gouttes soit en place. Nettoyer après chaque utilisation.
17. Un combustible, tel que des briquettes de charbon de bois, ne doit pas être utilisé avec l'appareil.
18. Utiliser uniquement sur une prise de courant bien reliée à la terre.
19. Lors du fonctionnement, un incendie peut survenir si la grille touche ou est proche d'un matériau inflammable, y compris rideaux, tentures, murs, écrans anti-éclaboussures, armoires et articles semblables.

## CONSERVEZ CES INSTRUCTIONS!

## Autres renseignements de sécurité aux consommateurs

### Cet appareil est destiné à l'utilisation domestique seulement.

La longueur du cordon de cet appareil a été choisie de façon à ce que l'on ne risque pas de trébucher dessus. Si un cordon plus long est nécessaire, utiliser une rallonge appropriée. Le calibrage de la rallonge doit être le même que celui de la cafetière ou supérieur. Lorsqu'on utilise une rallonge, s'assurer qu'elle ne traverse pas la zone de travail, que des enfants ne puissent pas tirer dessus par inadvertance et qu'on ne puisse pas trébucher dessus.

Ne pas laisser cet appareil sans surveillance lorsqu'il fonctionne.

**AVERTISSEMENT :** Pour réduire le risque d'incendie, ne pas laisser des articles inflammables tels que rideaux, tentures, murs, armoires, écrans anti-éclaboussures et matériaux semblables toucher toute partie du gril ou la surface de grillage lorsque le gril est en fonctionnement. Veuillez faire griller au moins à 6 pouces des murs, d'ap-

pareils ménagers ou de tout autre objet qui pourrait être endommagé par la chaleur.

### LORS DE L'UTILISATION À L'EXTÉRIEUR :

**MISE EN GARDE :** Pour assurer une protection continue contre le risque de choc électrique, brancher l'appareil seulement sur une prise correctement reliée à la terre.

### LORS DE L'UTILISATION D'UNE RALLONGE À L'EXTÉRIEUR :

**MISE EN GARDE :** Pour réduire le risque de choc électrique, veiller à garder la rallonge au sec et au-dessus du sol.

Les rallonges d'extérieur devraient être utilisées avec les produits d'extérieur et elles sont marquées des suffixes « W-A » sur leur surface et d'une étiquette portant la mention « Suitable for Use with Outdoor Appliances » (convient aux appareils d'extérieur).

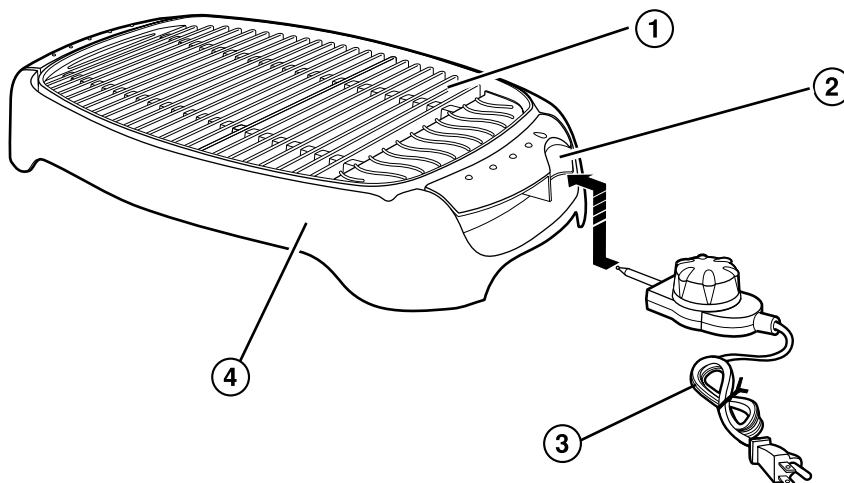
Ranger l'appareil à l'intérieur, hors de la portée des enfants.

Ne pas nettoyer ce produit avec une pulvérisation d'eau ou autre liquide.

## Pièces et caractéristiques

**Avant le premier emploi:** Laver le gril et la base à l'eau savonneuse chaude. Rincer et sécher à fond. Ne pas immerger le cordon d'alimentation dans l'eau ou autre liquide.

- |                         |                                     |
|-------------------------|-------------------------------------|
| 1. Grille               | 3. Cordon d'alimentation électrique |
| 2. Réceptacle du cordon | 4. Base                             |



## Utilisation

1. Bien placer la base sur un comptoir. Placer le gril correctement sur la base.
2. Brancher le cordon d'alimentation électrique dans le réceptacle sur l'appareil, ensuite brancher le cordon dans une prise de courant. Une lampe-témoin sur le cordon d'alimentation électrique s'allumera.
3. Préchauffer l'appareil pendant 5 à 10 minutes.
4. Lorsque la cuisson au gril est terminée, tourner la commande à MIN. Débrancher d'abord la fiche de la prise murale, puis du réceptacle du cordon.
5. Laisser complètement refroidir le gril. Jeter prudemment toute graisse. Nettoyer le gril.

## Cordon électrique de chaleur variable

- Le cordon électrique de chaleur variable offre des réglages de chaleur à partir de 1 (faible) à 5 (élevée). Les recettes et le tableau de cuisson ont été mis au point en utilisant le réglage 5. D'autres réglages de chaleur peuvent être utilisés pour des options de cuisson plus souples.
- Les réglages 3 et 4 sont pour les morceaux épais de viande ou les gros morceaux de poulet avec os. Ces réglages assureront une cuisson à fond sans déshydrater l'aliment. Commencer la cuisson au réglage le plus élevé, ensuite réduire la chaleur au besoin. Les réglages 1 et 2 devraient être utilisés pour garder les aliments tièdes après la cuisson. **Toujours s'assurer que le cordon d'alimentation électrique est à la position MIN et qu'il est débranché de la prise murale avant de l'insérer ou de l'enlever.**

## Conseils pour la cuisson au gril

- Veuillez vous rappeler que votre gril est enduit d'une surface non adhésive et que des accessoires de plastique doivent toujours être utilisés.
- Si on fait griller des légumes, poissons ou viande maigre, vaporiser la surface de cuisson avec un vaporisant pour cuisson. Si on fait griller une viande avec section grasse, ou si l'aliment a été mariné, il n'est pas nécessaire de traiter le gril.
- Pour obtenir les meilleurs résultats, préchauffer le gril 5 à 10 minutes avant la cuisson.
- Des brochettes sont disponibles dans la plupart des supermarchés. Si on emploie des brochettes jetables en bois, tremper les brochettes dans l'eau environ 10 minutes avant d'y enfiler les aliments. Cette action empêche la brochette de brûler et fournit une présentation plus attrayante.
- Si on emploie une marinade à base d'huile, placer le gril près d'une hotte de ventilation. L'huile ou la graisse produiront un peu de fumée.

## Tableau de cuisson

| Aliment                                | Temps approximatif (minutes)     | Test de cuisson                                |
|--|----------------------------------|--|
| Bacon                                  | 4 à 8 minutes                    | Résultat désiré                                |
| Steaks, boeuf<br>½ po d'épaisseur      | 8 à 15 minutes                   | Résultat désiré                                |
| Côtelettes de porc<br>½ po d'épaisseur | 15 à 20 minutes                  | Jusqu'à disparition de la couleur rosée        |
| Breasts de poulet, désossée            | 25 à 30 minutes                  | Percer avec couteau; le jus coule librement    |
| Hamburgers<br>½ po d'épaisseur         | 8 à 10 minutes                   | Jusqu'à disparition de la couleur rosée        |
| Saucisses ou croquettes                | 12 à 15 minutes                  | Jusqu'à disparition de la couleur rosée        |
| Hot dogs                               | 8 à 10 minutes                   | Complètement chaud                             |
| Filets de poisson                      | 10 minutes par pouce d'épaisseur | Opaque et formant des lamelles avec fourchette |

## Nettoyage

1. Laisser refroidir le gril. Enlever prudemment toute graisse.
2. Laver le gril et la base dans l'eau chaude savonneuse. Utiliser un tampon à récurer en nylon ou en plastique et un nettoyant liquide non abrasif. Ne pas utiliser de tampons à récurer en métal.
3. Rincer et laisser sécher.
4. Le gril et la base peuvent aussi être lavés au lave-vaisselle après le refroidissement et l'enlèvement de toute graisse.
5. Ne jamais submerger le cordon d'alimentation électrique dans l'eau ou le placer dans un lave-vaisselle. Pour le nettoyer, l'essuyer avec un linge humide.

**REMARQUE:** Ne pas laisser le gril allumé pour « brûler » tout aliment ou résidus demeurant à la surface du gril après la cuisson. En plus de causer une fumée inutile, cet échauffement peut réduire la vie utile du fini antiadhésif et constituer un risque d'incendie.

# Recettes



Indique le temps de préparation et le temps de cuisson au gril.

## Directives pour la cuisson au gril

- Temps de cuisson au gril: Les temps de cuisson des recettes sont des estimations. Le temps de cuisson variera d'après la température du gril, l'air ambiant et l'aliment lui-même. Bien surveiller les aliments pendant la cuisson au gril et ajuster le temps de cuisson au besoin.
- Conseils pour mariner: Ne jamais faire mariner des aliments dans des contenants en métal pendant des périodes prolongées (2 heures et plus). Les acides dans les aliments peuvent réagir avec le métal, causant un goût désagréable. Utiliser plutôt des contenants en verre, céramique ou sac de plastique pour faire mariner.
- Conseil de sécurité pour les viandes: Pour réduire le risque de détérioration, garder la viande au réfrigérateur jusqu'au moment de la faire cuire. Ne jamais décongeler ou faire mariner de la viande à une température ambiante, surtout dans les climats chauds.
- Ne jamais utiliser de restant de marinade comme sauce de finition sur les aliments cuits. La marinade qui reste doit d'abord être bouillie pendant une à deux minutes pour tuer toutes les bactéries provenant des aliments crus qui ont été marinés.
- Bien que certains livres de recettes peuvent suggérer de porter vos aliments à la température ambiante avant la cuisson, à part quelques exceptions nous ne recommandons pas ce conseil pour les aliments cuits au gril. Si la température ambiante varie entre 80 et 90°F, les aliments peuvent se gâter rapidement.
- Conseil pour le grillage sans adhésion: Sans l'utilisation d'huile, certains aliments adhéreront légèrement aux surfaces non adhésives. Cette situation peut facilement être évitée. Avant d'allumer le gril, répandre avec un pinceau ou un vaporisateur une couche légère d'huile ou de vaporisant à cuisson non adhésif. (Ne jamais ajouter d'huile ou de vaporisant à une grille chauffée, ce qui peut être dangereux.)
- Toujours bien lire les renseignements de sécurité.

Les recettes suivantes proviennent de *Grilling for Dummies*® par Marie Rama et John Mariani. Droits réservés® 1998 IDG Books Worldwide, Inc. Tous droits réservés. Reproduit ici avec permission de l'éditeur. ...For Dummies est une marque de commerce déposée de IDG Books Worldwide, Inc.

Idées pour un burger de base et pour des « variétés »  
 Kebabs au bœuf de l'Ouest avec poivrons rouges et oignons  
 Steak grillé 101  
 Barbecue de bœuf texan  
 Poitrines de poulet assaisonnées  
 Ailes de poulet épicées de chili  
 Délices de pommes de terre grillées  
 Tomates grillées avec beurre au cumin  
 Brushetta aux tomates

## Burger de base



Temps de préparation : 15 minutes

Cuisson au gril : 14 - 20 minutes

Donne : 4 portions

1½ livre de haut-côté haché  
¼ c. à thé de sel, ou au goût

¼ c. à thé de poivre  
4 pains à hamburger

1. Combiner la viande hachée, le sel et le poivre dans un bol à mélanger de grandeur moyenne, en mélangeant légèrement mais à fond en utilisant vos mains. Former quatre pâtés, chacun de ¾ po d'épaisseur au centre et aux contours. (Une épaisseur égale assure une cuisson égale et empêche les bords de sécher avant que le centre soit cuit.)
2. Placer les pâtés sur le gril. Faire cuire pendant 7 à 10 minutes par côté, en les tournant une fois. (D'après le ministère de l'Agriculture des États-Unis, toutes les viandes hachées doivent être cuites à la température la plus basse pour la cuisson moyenne, soit 160 degrés, ou jusqu'à ce que le centre du pâté ne soit plus de nuance rose.) Faire une petite incision au centre de chaque pâté pour déterminer s'il est bien cuit.
3. Faire griller les pains en les plaçant, le côté tranché vers le bas, sur les bords de la grille du gril pendant environ une minute ou jusqu'à légèrement brunis.
4. Enlever les burgers du gril et servir sur les pains grillés pour hamburger.

### Variations :

**Burger à l'italienne :** Ajouter les ingrédients suivants au mélange de viande hachée : 1 jaune d'œuf, ¼ tasse d'oignons râpés, 1 grosse gousse d'ail finement hachée, 2 c. à soupe de basilic frais haché ou 2 c. à thé de basilic sec écrasé, ½ c. à thé d'origan sec, et sel et poivre au goût. Placer le fromage parmesan râpé sur chaque burger (si désiré) environ 2 minutes avant que le burger soit cuit et faire griller jusqu'à ce que le fromage soit fondu.

**Burger à la mexicaine :** Ajouter les ingrédients suivants au mélange de viande hachée : ¼ tasse d'oignons finement hachés, ½ à 1 c. à thé de piment jalapeño épépiné et haché, ¾ c. à thé de cumin moulu, et sel et poivre au goût. Servir sur pain grillé ou dans des tortillas réchauffées avec une salsa préparée aux tomates ou une sauce taco, et des tranches d'avocat mûr.

**Burger épicé à l'asiatique :** Ajouter les ingrédients suivants au mélange de viande hachée : ¼ tasse de ciboulette finement hachée, 3 c. à soupe de sauce teriyaki, 1 grosse gousse d'ail, finement hachée et sel et poivre au goût.

## Kebabs de bœuf de l'Ouest avec poivrons rouges et oignons



Temps de préparation : 25 minutes

Temps pour mariner : 6 heures ou une nuit

Cuisson au grill : 14 - 16 minutes

Donne : 4 portions

- |  |  |
|--|--|
| 1½ à 2 livres de surlonge, ou autre morceau de bœuf tendre tel que le contre-filet ou un steak de pointe de surlonge | 6 c. à soupe d'huile végétale                    |
| 2 poivrons rouges moyens   | 3 gousses d'ail, pelées et hachées grossièrement |
| 1 oignon moyen   | 1 à 2 gros piments jalapeño, épépinés et hachés, |
| ½ tasse de jus de pomme, divisée   | ¼ c. à thé de cumin                              |
| 6 c. à soupe de jus de limette (environ 3 grosses limettes)  | 1½ c. à thé de poudre de chili                   |
| 1½ c. à thé de zeste de limette  | ½ c. à thé de paprika                            |
|  | Sel et poivre au goût                            |
|  | 2 c. à soupe de beurre                           |

- En travaillant sur une planchette à découper, découper tout le gras visible du bœuf, couper le morceau de viande en cubes d'environ 1½ po. Placer les cubes dans un grand sac en plastique refermable ou autre contenant non réactif.
- Évider et épépiner les poivrons rouges et les trancher en lisières d'environ 1½ po de largeur; trancher chaque lisière en travers en morceaux de 1 à 2 po. Couper l'oignon en deux sur la longueur et enlever la pelure. Couper chaque demie en tiers, les briser en tranches. Placer les poivrons et les oignons dans le sac ou le contenant avec les cubes de bœuf.
- Combiner 6 c. à soupe de jus de pomme avec le jus de limette, le zeste de limette, l'huile, l'ail, les piments jalapeño, le cumin, la poudre chili et le paprika, dans un contenant de mélangeur, faire tourner le mélange pendant quelques secondes pour former une purée grossière. Verser la marinade qui en résulte sur le bœuf et les légumes, fermer le sac ou recouvrir le contenant, et réfrigérer pendant au moins 6 heures ou une nuit, en tournant occasionnellement.
- Enlever le bœuf de la marinade. Réserver toute marinade qui reste et la placer dans une petite marmite. Enfiler 3 à 4 cubes de bœuf, en alternant avec des morceaux de poivron et d'oignon, sur la brochette. (Tremper les brochettes de bois dans l'eau pendant au moins 30 minutes pour les empêcher de brûler.) Saupoudrer du sel et du poivre sur les kebabs.
- Placer les brochettes sur le grill. Faire griller les kebabs pendant environ 14 à 16 minutes pour cuisson à point, les tourner toutes les 5 à 6 minutes.
- Alors que les kebabs cuisent au grill, porter la marinade dans la marmite au point d'ébullition à feu vif sur le dessus de la cuisinière, réduire la chaleur et faire mijoter pendant 1 minute. Incorporer 2 c. à soupe de beurre et 2 c. à soupe du jus de pomme qui reste. Avec une cuillère, napper les kebabs grillés de sauce juste avant de les servir.

## Steak grillé 101



Temps de préparation : 5 minutes

Temps de grillage : 35 - 45 minutes

Donne : 4 portions

- |   |                         |
|---|-------------------------|
| 2 c. à soupe d'huile d'olive  | 1 gousse d'ail, écrasée |
| 2 steaks de bœuf de surlonge<br>désossés, coupés en épaisseur<br>de 1 po (environ 2 livres en tout) | Sel et poivre au goût   |

1. Dans un petit bol, combiner l'huile d'olive et l'ail. Badigeonner généreusement avec l'huile assaisonnée, sur les deux côtés des steaks. Saler et poivrer légèrement les steaks.
2. Placer les steaks sur le gril. Faire griller pendant 35 à 45 minutes pour une cuisson à point en les tournant toutes les 15 minutes.
3. Retirer les steaks du gril, couvrir légèrement de papier d'aluminium et laisser les steaks reposer pendant quelques minutes avant de les trancher finement à travers le fil. Assaisonner de sel et de poivre additionnels (si désiré) avant de servir.

## Barbecue de bœuf texan



Temps de préparation : 10 minutes

Temps pour mariner : 3 heures ou une nuit

Cuisson au gril : 35 - 45 minutes pour cuisson à point-saignant

Donne : 4 portions

- |  |   |
|--|---|
| 1 tasse de sauce chili en bouteille                                | 1 steak dans la ronde de bœuf<br>désossé, coupé en épaisseur de |
| 1 c. à thé de cumin moulu  | 1 po (environ 1½ à 2 livres)                                    |
| ½ tasse de bière   | 3 c. à soupe de poudre de chili                                 |
| ½ c. à thé de flocons de piments<br>rouges séchés                  | sel au goût (facultatif)  |
| ⅓ tasse d'huile végétale   |   |
| ¼ tasse d'oignon vert finement haché<br>(parties blanche et verte) |   |

1. Dans un bol moyen, préparer la marinade en combinant tous les ingrédients excepté le steak.
2. Placer le steak dans un plat à cuisson en verre ou un grand sac en plastique refermable. Verser la marinade sur le steak en le tournant pour le recouvrir. Couvrir le plat à cuisson ou sceller le sac, en appuyant pour chasser l'air autant que possible. Réfrigérer 3 heures ou une nuit.
3. Enlever le steak de la marinade, en secouant tout excès. Jeter la marinade, si désiré, saupoudrer le steak de sel. Placer le steak sur le gril et faire griller pendant 35 à 45 minutes pour une cuisson à point, en tournant toutes les 15 minutes.
4. Transférer le steak à une planchette à découper et laisser reposer pendant 5 minutes, en le recouvrant légèrement de papier d'aluminium. Trancher finement à travers le fil.



## Poitrines de poulet assaisonnées



Temps de préparation : 15 minutes  
 Temps pour mariner : 6 heures ou une nuit  
 Cuisson au gril : 30 - 35 minutes  
 Donne : 4 à 6 portions

|   |  |
|---|--|
| 8 demi-poitrines de poulet désossées et sans peau (environ 2 ou 3 livres) | 1 petit piment jalapeño, épépiné et finement haché |
| ¼ tasse d'huile végétale  | 1 c. à thé de cassonade, tassée                    |
| ¼ tasse de jus d'orange   | ½ c. à thé de sel kascher, ou au goût              |
| 3 échalotes finement hachées (parties verte et blanche)                   | ½ c. à thé de piment de la Jamaïque moulu          |
| 4 gousses d'ail moyennes, pelées et finement hachées                      | ½ c. à thé de feuille de thym séchée               |
| 2 c. à soupe de jus de limette  | ½ c. à thé de cannelle                             |
| 2 c. à soupe de sauce de soja   | ¼ c. à thé de cayenne                              |
|   | ¼ c. à thé de muscade                              |

1. Découper toute section grasse sur les poitrines (parer les poitrines), les rincer sous l'eau froide du robinet et tamponner avec des essuie-tout.
2. Dans un bol moyen, combiner les autres ingrédients, en battant avec une fourchette ou un fouet pour incorporer les épices dans l'huile et le jus d'orange.
3. Placer les poitrines dans un grand sac en plastique refermable ou un plat peu profond, et verser la marinade sur les poitrines. Sceller le sac, en appuyant pour faire sortir l'air, ou couvrir le plat, réfrigérer pendant 6 heures ou une nuit, en tournant occasionnellement pour enduire les poitrines de marinade.
4. Enlever les poitrines de poulet de la marinade, jeter la marinade. Placer les poitrines de poulet sur le gril. Faire griller pendant 30 à 35 minutes ou jusqu'à cuisson achevée, en tournant toutes les 10 minutes. Pour vérifier si la cuisson est terminée, couper les poitrines; la viande devrait être blanche et onctueuse, sans signe de nuance rose.

## Ailes de poulet épicées de chili



Temps de préparation : 20 minutes  
 Temps pour mariner : 2 à 4 heures  
 Cuisson au gril : 25 - 30 minutes  
 Donne : 4 portions principales ou 8 à 10 portions d'amuse-gueule

|   |   |
|---|---|
| 3 à 3½ livres d'ailes de poulet (environ 15 à 18 ailes) | 2 c. à thé de paprika                             |
| 3 c. à soupe d'huile d'olive                            | 1 c. à thé de gingembre épluché et râpé           |
| 3 c. à soupe de jus de limette frais                    | 1 c. à thé de sel ou au goût                      |
| 4 grosses gousses d'ail, pelées et hachées              | ½ c. à thé de poudre de chili forte ou de cayenne |
| 2 c. à thé de cumin moulu                               | ½ c. à thé de cannelle                            |
| 2 c. à thé de coriandre moulu                           |   |

1. Rincer les ailes de poulet sous l'eau froide du robinet et tamponner avec des essuie-tout en papier. Couper le bout des ailes aux jointures et jeter les pointes.

(Ou envelopper et faire congeler les pointes pour les utiliser plus tard pour ajouter de la saveur aux soupes faites maison ou en boîte et aux bouillons.

2. Combiner tous les ingrédients qui restent dans un grand sac en plastique refermable ou un bol à mélanger, en les mélangeant bien.
3. Ajouter les ailes de poulet, bien les secouer pour les enduire du mélange huile-épices. Fermer hermétiquement le sac, en appuyant pour faire sortir tout l'air, ou recouvrir le bol et réfrigérer pendant 2 à 4 heures.
4. Placer les ailes sur le gril, faire griller pendant 25 à 30 minutes ou jusqu'à cuisson achevée, en les tournant avec une pince toutes les 10 minutes pour empêcher de brûler et assurer une cuisson égale. Pour vérifier si les ailes sont cuites, couper dans la partie la plus épaisse de l'aile; la viande devrait être blanche sans trace de nuance rose et les jus devraient couler clairement.

## Délices de pommes de terre grillées



Temps de préparation : 15 minutes  
 Temps pour mariner : 30 minutes à 1 heure  
 Cuisson au gril : 15 minutes  
 Donne : 4 portions

- |  |  |
|--|--|
| 4 pommes de terre moyennes<br>(environ 1½ livre en tout) bien<br>nettoyées | 1 c. à thé de marjolaine, d'origan<br>ou d'aneth séché   |
| 6 c. à soupe d'huile d'olive extra-vierge                                  | ½ c. à thé de sauce Tabasco,<br>ou au goût               |
| 1½ c. à soupe de vinaigre de vin blanc                                     | ½ c. à thé de sel kascher, ou<br>de sel de table au goût |
| 2 gousses d'ail, pelées et finement<br>hachées                             | Poivre au goût   |

1. Couper les pommes de terre sur la longueur en tranches de ¼ po d'épaisseur. Placer les tranches dans une casserole moyenne avec assez d'eau légèrement salée pour couvrir. Couvrir la casserole et porter au point d'ébullition. Faire bouillir pendant 5 minutes ou jusqu'à consistance presque tendre lorsque percées avec la lame d'un couteau mince aiguisé, et égoutter à fond. Placer les pommes de terre dans un grand plat peu profond à cuisson.
2. Préparer la marinade en combinant les ingrédients qui restent; verser la marinade sur les tranches de pommes de terre tièdes, en tournant pour recouvrir. Couvrir et laisser reposer pendant 30 minutes à 1 heure.
3. Avant la cuisson au gril, brosser les deux côtés des pommes de terre avec la marinade, en s'assurant d'inclure les petits miettes d'ail et d'herbes. Placer les pommes de terre sur le gril et les faire cuire jusqu'à ce qu'elles soient légèrement brunies, environ 6 à 8 minutes. Les tourner et les faire griller jusqu'à ce qu'elles soient de couleur légèrement dorée, et croustillantes sur le deuxième côté, 6 à 8 minutes de plus. Si désiré, assaisonner avant de servir le sel et le poivre additionnels, et la sauce Tabasco.

## Tomates grillées avec beurre au cumin



Temps de préparation : 10 minutes

Cuisson au gril : 5 - 6 minutes

Donne : 4 portions

2½ c. à soupe de beurre  
1 c. à thé de cumin moulu  
Sel et poivre au goût

2 grosses tomates mûres et fermes,  
tranchées environ ¼ po d'épaisseur

1. Fondre le beurre dans une petite casserole; enlever du feu et incorporer le cumin, le sel et le poivre.
2. Badigeonner les tranches de tomates sur un côté avec la moitié du beurre au cumin. Les placer côté badigeonné vers le bas, sur la grille et les cuire pendant 2 à 3 minutes ou jusqu'à légèrement brunies sur un côté.
3. Badigeonner avec un pinceau le dessus des tomates avec le reste du beurre au cumin. Tourner et faire griller pendant 2 à 3 minutes de plus ou jusqu'à très légèrement brunies mais sans que la tomate se sépare.

## Bruschetta aux tomates



Temps de préparation : 15 minutes

Cuisson au gril : 4 minutes

Donne : 6 à 8 portions d'amuse-gueule

2 grosses tomates rouges mûres  
(environ 1¼ livre), évidées, épépinées  
et coupées en dés

½ tasse de basilic frais haché  
grossièrement

2 c. à soupe d'oignon rouge pelé  
et coupé en dés (facultatif)

Environ ¼ tasse d'huile d'olive  
extra-vierge, divisée

1 gousse d'ail, pelée et hachée

1 c. à thé de vinaigre balsamique ou  
de vinaigre de vin rouge

Sel et poivre

12 tranches de baguette croustillante,  
coupées en diagonale, environ  
¾ po d'épaisseur

3 gousses d'ail, pelées et coupées en  
deux

1. Dans un petit bol, combiner les tomates, le basilic, l'oignon rouge (si désiré), 2 c. à soupe d'huile d'olive, l'ail haché, vinaigre, sel et poivre. Recouvrir et laisser reposer à la température ambiante pendant au moins 30 minutes mais pas plus de 2 heures.
2. Placer les tranches de pain sur le gril. Faire cuire pendant 4 à 5 minutes ou jusqu'à ce que le pain soit légèrement grillé et doré sur les deux côtés, en le tournant une fois.
3. Enlever et frotter immédiatement les rebords et un côté de chaque tranche avec une demi-gousse d'ail. (Utiliser une demi-gousse d'ail pour 2 tranches.) Répandre légèrement environ ½ c. à thé d'huile d'olive sur le côté frotté avec l'ail de chaque tranche.
4. Ajouter le mélange aux tomates avec une grande cuillère pour humecter à fond, recouvrir chaque tranche de pain avec environ 1½ c. à soupe de mélange de tomates. Placer sur un plateau et servir immédiatement.

## Épées de porc aux prunes de fantaisie

Recette gracieuseté du Conseil national des producteurs de porc



Temps de préparation : 10 minutes  
 Temps pour mariner : 1 heure  
 Temps de cuisson : 10 minutes  
 Donne : 4 portions

| Renseignements<br>Nutritifs par portion  |             |
|--|-------------|
| Information nutritive par portion de 1 : |             |
| Nutrition                                | Par portion |
| Calories                                 | 183         |
| Gras                                     | 5g          |
| Cholestérol                              | 44mg        |
| Sodium                                   | 1340mg      |
| Protéines                                | 19g         |

4 brochettes de bambou (trempé dans l'eau avant l'usage) 1 c. à soupe de moutarde de Dijon  
 3/4 livre de jambon, complètement cuit et coupé en cubes de 1 po 1 c. à thé de jus de citron, frais  
 1/4 tasse de prunes en conserve 1/4 c. à thé de cannelle

Placer le jambon dans un bol peu profond. Combiner les ingrédients qui restent dans une petite casserole. Chauffer jusqu'à dissolution. Verser la sauce sur le jambon. Faire mariner pendant 1 heure. Placer les cubes sur les bâtonnets de bambou qui ont été trempés dans l'eau. Faire griller pendant 10 minutes. Tourner les brochettes fréquemment. Arroser avec la sauce.

## Kebabs de porc des Caraïbes

Recette gracieuseté du Conseil national des producteurs de porc



Temps de préparation : 10 minutes  
 Temps de cuisson : 18 - 20 minutes  
 Portions : 4

| Renseignements<br>Nutritifs par portion        |             |
|--|-------------|
| Information nutritive par portion de 3 onces : |             |
| Nutrition                                      | Par portion |
| Calories                                       | 146         |
| Gras   | 4g          |
| Cholestérol                                    | 67mg        |
| Sodium   | 60mg        |
| Protéines                                      | 23g         |

1 livre de filet de porc, coupé en cubes de 1 po 1/2 c. à thé de thym  
 1/2 tasse de jus d'orange 1/4 c. à thé de muscade moulue  
 1/4 tasse de jus de limette 1/4 c. à thé de clous de girofle moulus  
 2 c. à soupe de cassonade 1/8 c. à thé de cayenne moulue

Combiner tous les ingrédients dans un sac de plastique refermable, fermer le sac et réfrigérer pendant 2 à 24 heures. Enlever les cubes de la marinade et jeter le reste de la marinade. Enfiler les cubes également sur quatre brochettes (si on utilise des brochettes en bois, les tremper dans l'eau pendant une heure avant de les utiliser pour les empêcher de brûler). Faire cuire au grill pendant 18 à 20 minutes, en les tournant fréquemment, jusqu'à brunissement convenable. Servir avec riz chaud et brochettes de morceaux de fruits et de poivron grillés, si désiré.

## Côtelettes de porc barbecue Heartland

Recette gracieuseté du Conseil national  
des producteurs de porc



Temps de préparation : 5 minutes  
Temps de cuisson : 30 minutes  
Donne : 4 portions

### Renseignements Nutritifs par portion :

| Information nutritive par portion de 1 : |             |
|--|-------------|
| Nutrition                                | Par portion |
| Calories                                 | 371         |
| Gras                                     | 11g         |
| Cholestérol                              | 104mg       |
| Sodium                                   | 382mg       |
| Protéines                                | 39g         |

4 côtelettes de porc, avec os ou  
sans os, d'environ 1¼ po d'épaisseur  
½ tasse de sauce barbecue en bouteille  
⅓ tasse de miel  
1 c. à soupe de sauce Worcestershire  
1 c. à thé de moutarde préparée  
Soupçon de sauce au poivre piquante

Pour la sauce, mélanger tous les ingrédients excepté les côtelettes de porc ensemble dans un petit bol. Placer les côtelettes de porc sur le grill. Faire griller les côtelettes pendant environ 10 minutes, jusqu'à nuance brune sur un côté, tourner et badigeonner généreusement avec la sauce. Faire griller pendant 10 minutes de plus, tourner et badigeonner avec plus de sauce. Faire griller pendant 5 à 10 minutes de plus, en tournant et en badigeonnant avec la sauce. Jeter toute sauce qui reste. Servir les côtelettes immédiatement.

## Filet de porc grille de style Sud-Ouest

Recette gracieuseté du Conseil national  
des producteurs de porc



Temps pour mariner : 2 à 24 heures  
Temps de préparation : 10 minutes  
Temps de cuisson : 50 - 55 minutes  
Donne : 6

### Renseignements Nutritifs par portion :

| Information nutritive par portion de 3 onces : |             |
|--|-------------|
| Nutrition                                      | Par portion |
| Calories                                       | 154         |
| Gras   | 6g          |
| Cholestérol                                    | 66mg        |
| Sodium   | 141mg       |
| Protéines                                      | 26g         |

2 filets de porc entiers  
(environ 1½ livre en tout)  
5 c. à thé de poudre chili  
1½ c. à thé d'origan  
¾ c. à thé de cumin moulu  
2 gousses d'ail écrasées  
1 c. à soupe d'huile végétale

Dans un petit bol, mélanger bien tous les assaisonnements et l'huile végétale. Frotter le mélange sur toutes les surfaces des filets de porc. Recouvrir et réfrigérer pendant 2 à 24 heures. Faire griller en tournant de temps à autre, pendant 50 à 55 minutes, jusqu'à ce que la lecture du thermomètre inséré indique 155-160°F. Le porc est prêt quand il reste une petite nuance de rose au centre. Trancher pour servir.

## Crevettes grillées aux épices

|   |   |
|---|---|
| ½ tasse de sauce de soja                        | 2 c. à soupe de jus de gingembre frais                                |
| 1 c. à soupe d'huile d'olive                    | écrasé  |
| 1 c. à soupe d'huile de sésame                  | 2 c. à thé de moutarde en poudre                                      |
| 5 c. à soupe de mélange d'assaisonnements cajun | 2 c. à thé de sauce aux piments                                       |
| 2 c. à soupe de jus de citron frais             | 32 grosses crevettes crues, décortiquées et déveinées mais avec queue |

Combiner tous les ingrédients excepté les crevettes. Bien mélanger et ensuite ajouter les crevettes. Faire mariner pendant 1 à 4 heures. Vider la marinade et la jeter. Placer les crevettes sur le gril et faire cuire 2 minutes. Tourner et faire cuire 2 minutes plus longtemps ou jusqu'à cuisson complète.

## Palourdes au soja et sésame

|  |                               |
|--|-------------------------------|
| 1 c. à soupe d'huile de sésame           | ⅛ c. à thé de gingembre moulu |
| 2 c. à soupe de vin blanc                | 1 pincée de sel à l'ail       |
| ¼ tasse de sauce tamari ou sauce de soja | 1 pincée de poivre            |
| 1 c. à thé d'ail écrasé                  | 1 livre de palourdes          |

Combiner tous les ingrédients et laisser mariner au réfrigérateur pendant 30 minutes à 1 heure. Enfiler sur les brochettes. Placer sur le gril et faire cuire pendant 5 minutes ou jusqu'à cuisson complète. Tourner à la mi-temps de cuisson. Donne 4 portions.

## Truite de mer grillée croustillante

|                                 |                          |
|---------------------------------|--------------------------|
| ¼ tasse de panure               | 1 c. à thé d'estragon    |
| 1 c. à soupe de persil desséché | 1 blanc d'oeuf           |
| 1 c. à thé de sel d'ail         | ¾ livre de truite de mer |

Combiner la panure, le persil, le sel d'ail et l'estragon. Laisser de côté. Battre le blanc d'oeuf avec une fourchette ou un batteur jusqu'à consistance mousseuse. Tremper le poisson dans le blanc d'oeuf ensuite recouvrir du mélange de panure. Placer sur le gril et faire cuire pendant 5 minutes. Tourner et faire cuire 5 minutes de plus jusqu'à cuisson complète. Donne 2 portions.

## Saumon à l'aneth

|                                |                    |
|--------------------------------|--------------------|
| ½ livre de steak de saumon     | 1 c. à thé d'aneth |
| 1 c. à soupe de jus de limette |                    |

Badigeonner le saumon avec la limette et saupoudrer d'aneth. Vaporiser le gril avec un vaporisant à cuisson. Faire cuire 4 minutes. Tourner et faire cuire encore 4 minutes ou jusqu'à cuisson complète. Donne 2 portions.

## Mahi Mahi au gingembre et à l'aneth

¼ tasse de jus de limette  
 ¼ c. à thé de poivre noir  
 ¼ c. à thé de racine de gingembre frais, râpé

¼ c. à thé d'aneth  
 ¾ livre de mahi mahi (ou ange de mer)

Combiner le jus de limette, le poivre, la racine de gingembre et l'aneth. Laisser mariner le poisson dans ce mélange pendant 2 heures. Placer sur le gril et faire cuire 5 minutes. Tourner et faire cuire 5 minutes de plus ou jusqu'à cuisson complète. Donne 2 portions.

## Service aux clients

Si vous avez une question au sujet du Gril-santé, composer notre numéro sans frais d'interurbain de service aux clients. Avant d'appeler, veuillez noter les numéros de modèle, de type et de série et les inscrire ci-dessous. Ces renseignements nous aideront à répondre beaucoup plus vite à toute question.

**MODÈLE :** \_\_\_\_\_ **TYPE :** \_\_\_\_\_ **SÉRIE :** \_\_\_\_\_

**Cette garantie s'applique aux produits achetés aux É.-U. ou au Canada.**

### GARANTIE LIMITÉE

Ce produit est garanti contre tout vice de main-d'œuvre ou de matériau pendant une période d'un (1) an pour les produits Hamilton Beach et cent quatre-vingt (180) jours pour les produits Proctor Silex et Traditions, à partir de la date de son achat original, à l'exception des modalités suivantes. Pendant cette période, nous réparerons ou nous remplacerons ce produit à notre choix, gratuitement. LA PRÉSENTE GARANTIE REMPLACE TOUTE AUTRE GARANTIE OU CONDITION, QU'ELLE SOIT EXPRESSE OU IMPLICITE, ÉCRITE OU ORALE, Y COMPRIS, SANS S'Y LIMITER, TOUTE GARANTIE STATUTAIRE OU DE QUALITÉ MARCHANDE OU DE CONVENANCE À UN USAGE PARTICULIER. TOUTE RESPONSABILITÉ EST EXPRESSÉMENT LIMITÉE À UN MONTANT ÉGAL AU PRIX D'ACHAT PAYÉ, ET TOUTE RÉCLAMATION POUR DOMMAGE SPÉCIAL, INCIDENT ET CONSÉQUENT EST PAR LA PRÉSENTE EXCLUE. Il n'y a pas de garantie à l'égard des articles suivants qui sont sujet à usure, qui peuvent être fournis avec ce produit, y compris, sans s'y limiter : pièces en verre, contenants en verre, couteaux/tamis, lames, joints, joints d'étanchéité, embrayages, brosses à moteur et/ou agitateurs, etc. Cette garantie ne s'étend qu'au consommateur acheteur initial et ne couvre pas une panne due à une mauvaise utilisation, un mauvais traitement, de la négligence, y compris l'absence de nettoyer le produit régulièrement conformément aux instructions du fabricant, utilisation à des fins commerciales ou tout usage non conforme aux instructions imprimées. Cette garantie vous donne des droits juridiques particuliers et vous pouvez avoir également d'autres droits juridiques qui varient selon l'État ou selon la province. Certains États ou provinces ne permettent pas de limite sur les garanties impliquées sur les dommages incidents, consécutifs ou spéciaux et par conséquent les limites ci-dessus peuvent ne pas s'appliquer à vous.

Si vous avez une réclamation sous cette garantie, NE RENVOYEZ PAS L'APPAREIL AU MAGASIN. Veuillez appeler LE NUMÉRO DE SERVICE À LA CLIENTÈLE (pour un service plus rapide, veuillez préparer les numéros de modèle, de série et de type pour permettre à la standardiste de vous aider).

### NUMÉROS DU SERVICE À LA CLIENTÈLE

Aux États-Unis 1-800-851-8900

Au Canada 1-800-267-2826

hamiltonbeach.com • proctorsilex.com

**CONSERVEZ CES NUMÉROS POUR RÉFÉRENCE ULTÉRIEURE !**



## ADVERTENCIA

### Peligro de choque eléctrico

- No sumerja este aparato en agua u otro líquido.
- Si el enchufe de este aparato no calza en el tomacorriente:
  - No modifique el enchufe.
  - No use un adaptador.
  - Haga que un electricista reemplace el tomacorriente obsoleto.

## SALVAGUARDIAS IMPORTANTES

Cuando use aparatos eléctricos, es importante seguir todas las precauciones básicas de seguridad que incluyen lo siguiente:

1. Lea todas las instrucciones. Guárdelas para referencia futura.
2. Verifique que el voltaje de su instalación corresponda con el del producto.
3. No toque superficies calientes. Use las manijas o las perillas.
4. Para protegerse contra el riesgo de choque eléctrico, no sumerja la unidad del cordón o el enchufe en agua ni en ningún otro líquido.
5. Es necesario que haya buena supervisión cuando los niños utilicen un aparato o cuando éstos se estén utilizando cerca de niños.
6. Desenchúfelo del tomacorriente cuando no lo esté usando y antes de la limpieza. Deje que se enfríe antes de colocar o sacar alguna pieza, antes de limpiarlo o mover el aparato.
7. Siempre coloque el enchufe en el aparato primero y luego enchufe el cordón con el enchufe en el tomacorriente. Para desconectar, coloque el control en la posición apagada (OFF) (MIN) y saque el enchufe del tomacorriente.
8. No deje el aparato sin supervisión cuando esté funcionando.
9. No opere ningún aparato electrodoméstico si el cordón o el enchufe están averiados, después de un mal funcionamiento del aparato, o si éste se ha caído o averiado de alguna forma. Llame a nuestro número de llamada gratis de servicio al cliente, para obtener información sobre el examen, la reparación o la regulación eléctrica o mecánica del aparato.
10. No deje que el cordón cuelgue sobre el borde de una mesa o de un mostrador, ni toque ninguna superficie caliente, incluyendo la superficie de una cocina.
11. No coloque el aparato sobre o cerca de una fuente de gas caliente o un quemador eléctrico, ni dentro de un horno calentado.
12. Siempre use el aparato sobre una superficie seca y nivelada.
13. No use el aparato electrodoméstico para ningún otro fin que no sea el indicado.
14. Es importante tener extremo cuidado cuando se mueva un aparato electrodoméstico que contenga aceite caliente u otros líquidos calientes.
15. Siempre desenchufe la parrilla y luego retire el cordón antes de tratar de moverla.
16. El uso de accesorios no recomendados por el fabricante del aparato puede causar lesiones.
17. No lo use sin la base colocada en su lugar. Limpie después de cada uso.
18. No se debe usar combustible como briquetas de carbón con este aparato.
19. Use solamente con un tomacorriente debidamente conectado a tierra.
20. Cuando esté funcionando, puede ocurrir un incendio si la parrilla toca o se encuentra cerca de materiales inflamables, incluyendo cortinas, persianas, paredes, placas posteriores, armarios y artículos similares.

## ¡GUARDE ESTAS INSTRUCCIONES!



## Información para la seguridad del consumidor

### Este aparato ha sido diseñado solamente para uso doméstico.

Este aparato podría estar equipado con un cable trifilar con conexión a tierra (enchufe de 3 puntas). Este tipo de enchufe encajará solamente en un tomacorriente hecho para un enchufe de 3 puntas. Esta es una característica de seguridad destinada a ayudar a reducir el riesgo de choque eléctrico. Si el enchufe no encaja, comuníquese con un electricista para cambiar el tomacorriente obsoleto. No trate de hacer caso omiso del propósito de seguridad de la clavija de tierra modificando el enchufe de alguna manera.

No deje este aparato sin supervisión cuando esté funcionando.

**ADVERTENCIA:** Para reducir el riesgo de incendio no permita que materiales inflamables como cortinas, persianas, paredes, armarios, placas posteriores y artículos similares toque ninguna parte de la parrilla o de la superficie para asar cuando la parrilla esté funcionando. Coloque la parrilla

por lo menos a 6 pulgadas de las paredes, aparatos o de otros objetos que se puedan perjudicar debido al calor.

No coloque una parrilla caliente sobre una encimera a menos que esté apoyado debidamente sobre una base.

### CUANDO USE AL AIRE LIBRE:

**PRECAUCIÓN:** Para asegurarse de estar continuamente protegido contra el riesgo de un choque eléctrico, conecte solamente a un tomacorriente debidamente puesto a tierra.

### CUANDO USE UN CORDÓN DE ALARGUE AL AIRE LIBRE

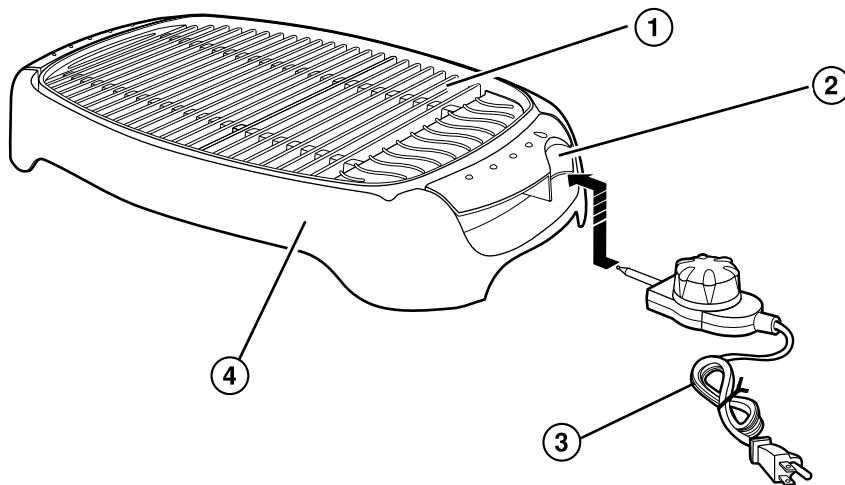
**PRECAUCIÓN:** Para reducir el riesgo de choque eléctrico, mantenga la conexión del cordón de alargue seca y no en contacto con el suelo.

Guarde el aparato bajo techo, fuera del alcance de los niños.

## Piezas y Propiedades

Antes del primer uso: Lave la parrilla y la base en agua caliente y jabonosa. Enjuague y seque bien. No sumerja el cordón de corriente en agua ni en ningún otro líquido.

- |                           |                        |
|---------------------------|------------------------|
| 1. Parrilla               | 3. Cordón de corriente |
| 2. Entrada para el cordón | 4. Base                |



# Cómo asar a la parrilla

1. Coloque la base sobre la mesa o mostrador. Coloque la parrilla correctamente sobre la base.
2. Enchufe el cordón de corriente en el receptáculo del cordón y luego enchúfelo en el tomacorriente. La luz indicadora en el cordón de corriente se iluminará. La luz permanecerá encendida mientras la unidad esté enchufada.
3. Precaliente entre 5 y 10 minutos antes de asar.
4. Cuando haya terminado de asar, gire el control a MIN. Luego saque el enchufe del tomacorriente y luego del receptáculo del cordón.
5. Deje que la parrilla se enfríe completamente. Elimine toda la grasa con cuidado. Limpie la parrilla.

## Cordón de corriente de calor variable

- El cordón de corriente de calor variable ofrece graduaciones de calor de 1 (baja) a 4 (alta). Las recetas y cuadro de cocción fueron desarrollados usando la graduación 4. Las graduaciones adicionales de calor se pueden usar para opciones de cocción más versátiles.
- La graduación 3 es para cortes gruesos de carne o trozos grandes de pollo con hueso. Esta graduación garantiza que la comida esté bien cocida sin quedar seca.
- Comience a cocinar a una graduación más alta y luego reduzca el calor si se requiere.
- Las graduaciones 1 y 2 se deben usar para mantener la comida caliente después de haberla cocinado.
- **Siempre asegúrese de que el cordón de corriente esté colocado en MIN y desenchufado del tomacorriente antes de introducirlo o sacarlo.**

## Sugerencias para obtener resultados excelentes al asar a la parrilla

- Recuerde que su parrilla viene revestida con una superficie antiadherente y es importante usar siempre utensilios de plástico.
- Si asa verduras, pescado o carnes magras, rocíe la superficie de la parrilla con aceite de cocina en aerosol. Si asa carnes con cierta cantidad de grasa, o si los alimentos se han marinado, no habrá necesidad de preparar la parrilla.
- Para obtener los mejores resultados, precaliente la parrilla entre 5 y 10 minutos antes de asar.
- Los pinchos para brocheta se pueden comprar en la mayoría de los supermercados. Si usa pinchos de madera de tipo descartable, sumérjalos en agua por unos 10 minutos antes de pinchar los alimentos. Esto evita que el pincho se queme y hace que la presentación sea más atractiva.
- Si usa un adobo hecho con aceite, coloque la parrilla cerca de una campana de humo ya que el aceite y la grasa producen bastante humo.

## Tabla de tiempos de cocción

| Alimento                                    | Tiempo Aproximado (Minutos)        | Prueba de Grado de Cocción                       |
|---|------------------------------------|--|
| Tocino                                      | 4 a 8                              | Grado deseado                                    |
| Filete de carne vacuna, grosor de ½ pulgada | 8 a 15                             | Grado deseado                                    |
| Costillas de cerdo, deshuesadas             | 15 a 20                            | Generalmente, hasta que no estén rosadas         |
| Pechugas de pollo, sin hueso                | 25 a 30                            | Pinchar con un cuchillo; el jugo es transparente |
| Hamburguesas, grosor de ½ pulgada           | 8 a 10                             | Hasta que ya no estén rosadas                    |
| Salchichas o croquetas                      | 12 a 15                            | Hasta que ya no estén rosadas                    |
| Perros calientes                            | 8 a 10                             | Bien calientes                                   |
| Filetes de pescado                          | 10 minutos por 1 pulgada de grueso | Opacos y se desmenuzan con el tenedor            |

## Limpieza

1. Deje que la parrilla se enfríe. Elimine toda la grasa con cuidado.
2. Lave la parrilla y la base en agua caliente y jabonosa. Use una esponjilla de nilón o de plástico y un producto de limpieza líquido no abrasivo. No use esponjillas metálicas.
3. Enjuague y deje que se seque.
4. La parrilla y la base también se pueden lavar en el lavavajillas después de haberlas dejado enfriar y de haber eliminado la grasa.

5. Nunca sumerja el cordón de corriente en agua ni lo coloque en el lavavajillas. Utilice un paño húmedo para limpiarlo.

**NOTA:** No deje la parrilla encendida para “quemar” los restos de alimentos o grasa asada que hayan permanecido en la superficie de la parrilla después de asar. Además de provocar una cantidad de humo innecesaria, esto puede reducir la vida útil del revestimiento antiadherente y además resultar en un riesgo de incendio.

**Hamilton Beach****Proctor Silex**

Grupo HB PS, S.A. de C.V.  
 Monte Elbruz No. 124 Int. 601  
 Col. Palmitas Polanco  
 México, D.F. C.P. 11560  
 Tel. 52 82 31 05 y 52 82 31 06  
 Fax. 52 82 3167

**PÓLIZA DE GARANTÍA**

|  |        |   |         |
|--|--------|---|---------|
| PRODUCTO:  | MARCA: | Hamilton Beach: <input type="checkbox"/><br>Proctor-Silex: <input type="checkbox"/> | MODELO: |
| <p>Hamilton Beach/Proctor-Silex cuenta con una Red de Centros de Servicio Autorizada, por favor consulte en la lista anexa el nombre y dirección de los establecimientos en la República Mexicana en donde usted podrá hacer efectiva la garantía, obtener partes, componentes, consumibles y accesorios; así como también obtener servicio para productos fuera de garantía.<br/>         Para mayor información llame sin costo:<br/> <b>Centro de Atención al consumidor: 01 800 71 16 100</b></p>  |        |   |         |
| <p>Grupo HB PS, S.A. de C.V. le otorga a partir de la fecha de compra:<br/> <b>GARANTÍA DE 1 AÑO.</b></p>  |        |   |         |
| <b>COBERTURA</b>   |        |   |         |
| <ul style="list-style-type: none"> <li>• Esta garantía ampara, todas las piezas y componentes del producto que resulten con defecto de fabricación incluyendo la mano de obra.</li> <li>• Grupo HB PS, S.A. de C.V. se obliga a reemplazar, reparar o reponer, cualquier pieza o componente defectuoso; proporcionar la mano de obra necesaria para su diagnóstico y reparación, todo lo anterior sin costo adicional para el consumidor.</li> <li>• Esta garantía incluye los gastos de transportación del producto que deriven de su cumplimiento dentro de su red de servicio.</li> </ul>   |        |   |         |
| <b>LIMITACIONES</b>  |        |   |         |
| <ul style="list-style-type: none"> <li>• Esta garantía no ampara el reemplazo de piezas deterioradas por uso o por desgaste normal, como son: cuchillas, vasos, jarras, filtros, etc.</li> <li>• Grupo HB PS, S.A. de C.V. no se hace responsable por los accidentes producidos a consecuencia de una instalación eléctrica defectuosa, ausencia de toma de tierra, clavija de enchufe en mal estado, etc.</li> </ul>  |        |   |         |
| <b>EXCEPCIONES</b>   |        |   |         |
| <p>Esta garantía no será efectiva en los siguientes casos:</p> <ol style="list-style-type: none"> <li>a) Cuando el producto se hubiese utilizado en condiciones distintas a las normales. (Uso industrial, semi-industrial o comercial.)</li> <li>b) Cuando el producto no hubiese sido operado de acuerdo con el instructivo de uso.</li> <li>c) Cuando el producto hubiese sido alterado o reparado por personas no autorizadas por Grupo HB PS, S.A. de C.V. el fabricante nacional, importador o comercializador responsable respectivo.</li> </ol> <p>El consumidor puede solicitar que se haga efectiva la garantía ante la propia casa comercial donde adquirió su producto, siempre y cuando Grupo HB PS, S.A. de C.V. no cuente con talleres de servicio.</p>   |        |   |         |
| <b>PROCEDIMIENTO PARA HACER EFECTIVA LA GARANTÍA</b>   |        |   |         |
| <ul style="list-style-type: none"> <li>• Para hacer efectiva la garantía no deben exigirse mayores requisitos que la presentación del producto y la póliza correspondiente, debidamente sellada por el establecimiento que lo vendió.</li> <li>• Para hacer efectiva la garantía, lleve su aparato al Centro de Servicio Autorizado más cercano a su domicilio (consulte la lista anexa).</li> <li>• Si no existe Centro de Servicio Autorizado en su localidad siga las siguientes instrucciones:             <ol style="list-style-type: none"> <li>1. Empaque su producto adecuadamente para que no se dañe durante el traslado.</li> <li>2. Anote claramente sus datos y los del Centro de Servicio al que está enviando el producto.</li> <li>3. No incluya partes sueltas ni accesorios para evitar su pérdida.</li> </ol> </li> <li>• El tiempo de reparación, en ningún caso será mayor de 30 días naturales contados a partir de la fecha de recepción del producto en nuestros Centros de Servicio Autorizados.</li> <li>• En caso de que el producto haya sido reparado o sometido a mantenimiento y el mismo presente deficiencias imputables al autor de la reparación o del mantenimiento dentro de los treinta días naturales posteriores a la entrega del producto al consumidor, éste tendrá derecho a que sea reparado o mantenido de nuevo sin costo alguno. Si el plazo de la garantía es superior a los treinta días naturales, se estará a dicho plazo.</li> <li>• El tiempo que duren las reparaciones efectuadas al amparo de la garantía no es computable dentro del plazo de la misma. Cuando el bien haya sido reparado se iniciará la garantía respecto de las piezas repuestas y continuará con relación al resto. En el caso de reposición del bien deberá renovarse el plazo de la garantía.</li> </ul> |        |   |         |

|                   |  |  |
|-------------------|--|--|
| DÍA__ MES__ AÑO__ |  | <p>Si desea hacer comentarios o sugerencias con respecto a nuestro servicio o tiene alguna queja derivada de la atención recibida en alguno de nuestros Centros de Servicio Autorizados, por favor dirigirse a:</p> <p><b>GERENCIA INTERNACIONAL DE SERVICIO (DIMALSA)</b><br/> <b>Prof. Av. La Joya s/n. Esq. Av. San Antonio</b><br/> <b>Col. El Infiernillo C.P. 54878</b><br/> <b>Cuautitlán, Edo de México</b><br/> <b>Tel. (55) 58 99 62 42 · Fax. (55) 58 70 64 42</b><br/> <b>Centro de Atención al consumidor: 01 800 71 16 100</b></p> |
|-------------------|--|--|

## RED DE CENTROS DE SERVICIO AUTORIZADA GRUPO HB PS, S.A. DE C.V.

### Distrito Federal

**ELECTRODOMÉSTICOS**  
 Av. Plutarco Elías Calles No. 1499  
 Zacahuitzco MEXICO 09490 D.F.  
 Tel: 01 55 5235 2323  
 Fax: 01 55 5243 1397

**CASA GARCIA**  
 Av. Patriotismo No. 875-B  
 Mixcoac MEXICO 03910 D.F.  
 Tel: 01 55 5563 8723  
 Fax: 01 55 5615 1856

### Nuevo Leon

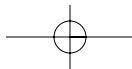
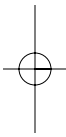
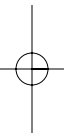
**FERNANDO SEPULVEDA REFACCIONES**  
 Ruperto Martínez No. 238 Ote.  
 Centro MONTERREY, 64000 N.L.  
 Tel: 01 81 8343 6700  
 Fax: 01 81 8344 0486

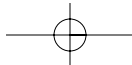
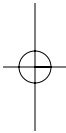
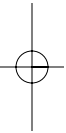
### Jalisco

**REF. ECONÓMICAS DE OCCIDENTE,**  
**S.A. DE C.V.**  
 Garibaldi No. 1450  
 Ladrón de Guevara  
 GUADALAJARA 44660 Jal.  
 Tel: 01 33 3825 3480  
 Fax: 01 33 3826 1914

### Chihuahua

**DISTRIBUIDORA TURMIX**  
 Av. Paseo Triunfo de la Rep. No. 5289 Local 2 A.  
 Int. Hipermart  
 Alamos de San Lorenzo  
 CD. JUAREZ 32340 Chih.  
 Tel: 01 656 617 8030  
 Fax: 01 656 617 8030





**Modelo:**  
**31605A**

**Tipo:**  
**G16**

**Características Eléctricas:**  
**120 V~ 60 Hz 1200 W**

**Los números de modelo también pueden estar seguidos del sufijo "MX".**

**HAMILTON BEACH** ♦ **PROCTOR-SILEX, INC.**

263 Yadkin Road, Southern Pines, NC 28387

**PROCTOR-SILEX CANADA, INC.**

Picton, Ontario K0K 2T0

840138000

hamiltonbeach.com • proctorsilex.com  
hamiltonbeach.com.mx • proctorsilex.com.mx

1/06



## Free Manuals Download Website

<http://myh66.com>

<http://usermanuals.us>

<http://www.somanuals.com>

<http://www.4manuals.cc>

<http://www.manual-lib.com>

<http://www.404manual.com>

<http://www.luxmanual.com>

<http://aubethermostatmanual.com>

Golf course search by state

<http://golfingnear.com>

Email search by domain

<http://emailbydomain.com>

Auto manuals search

<http://auto.somanuals.com>

TV manuals search

<http://tv.somanuals.com>