



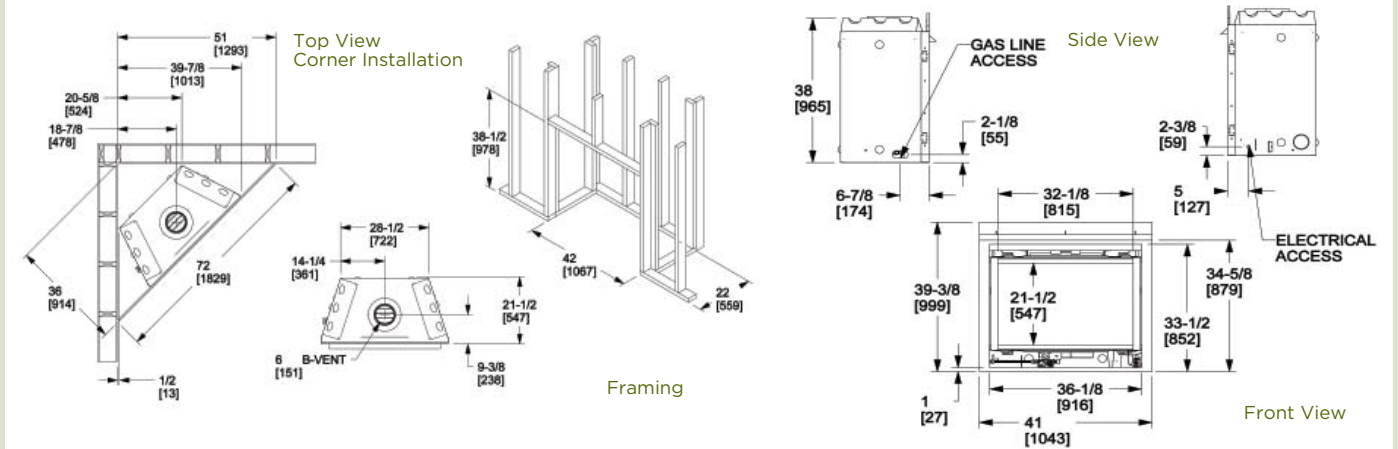
HEAT & GLO
No one builds a better fire



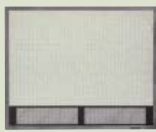
6000GBV
B-vent Gas Fireplace

6000GBV Specifications

MODEL	HEIGHT		FRONT WIDTH		BACK WIDTH		DEPTH		VIEWING AREA	Btu/Hour Input
	Actual	Framing	Actual	Framing	Actual	Framing	Actual	Framing		
6000GBV	38	38-1/2	41	42	28-1/2	42	21-1/2	22	36 x 24-3/4	18,000-27,000



Decorative Fronts & Doors Customize your fireplace with one of these stylish options, each available in various finishes.



Firescreen Front

In black, bronze or pewter. Accepts interchangeable decorative panels and Firescreen companions.
DF-6-FS



Essence Doors

Available in all five finishes. Accepts interchangeable decorative panels.
DF-6-ESSENCE



Chateau Deluxe Front

In black, bronze or pewter.
DF-6-CHAD



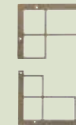
DF-6000

In black, bronze or pewter.
DF-6000

Firescreen Companions for use with Firescreen front. Adds a distinctive touch of corner detail. Available in black, bronze or pewter.



Carriage Hill



Prairie Ridge

Finishes Five rich finishes. High on style, long on durability. Available on select fronts.



Dimensions above are in inches. Reference dimensions only. We recommend measuring individual units at installation. Assumes the use of 1/2" Sheetrock. NOTE: Combustible material should not be installed over the face. Make sure you do NOT cover the decorative door opening.

Refer to installation manual for detailed specifications on installing this product. Heat & Glo reserves the right to update units periodically. The flame and ember appearance may vary based on the type of fuel burned and the venting configuration used. Pictures in this brochure are not a true representation of the fireplace and/or flames.

Limited Lifetime Warranty*

The strongest in the industry, Heat & Glo provides a lifetime warranty of the most important aspects: fiber logs, firebox and heat exchanger.

IntelliFire™

Our exclusive, state-of-the-art IntelliFire ignition system reduces gas consumption and thermogenerator wear by providing a pilot flame only when needed. Also supplies a back-up battery system to run the fireplace during a power outage.

* For full warranty details, go to www.heatnglo.com.

6000GBV Features

- Mystifire® burner with brick base refractory
- Tempered glass
- 18,000 to 27,000 Btu/Hour Input (NG)
- Five ceramic fiber logs
- 2 optional brick-style choices: Stratford or School House Red
- Adjustable valve
- Multiple front options
- IntelliFire ignition system or standing pilot
- Remote control option
- Wall control option
- Fan option

For complete information on this model, please contact us at:

HEAT & GLO

No one builds a better fire

20802 Kensington Boulevard, Lakeville, MN 55044
 Web: heatnglo.com
 Phone: (888) 427-3973 (952) 985-6000



A brand of Hearth & Home Technologies, Inc.

HNG-1080U-0607

Free Manuals Download Website

<http://myh66.com>

<http://usermanuals.us>

<http://www.somanuals.com>

<http://www.4manuals.cc>

<http://www.manual-lib.com>

<http://www.404manual.com>

<http://www.luxmanual.com>

<http://aubethermostatmanual.com>

Golf course search by state

<http://golfingnear.com>

Email search by domain

<http://emailbydomain.com>

Auto manuals search

<http://auto.somanuals.com>

TV manuals search

<http://tv.somanuals.com>