

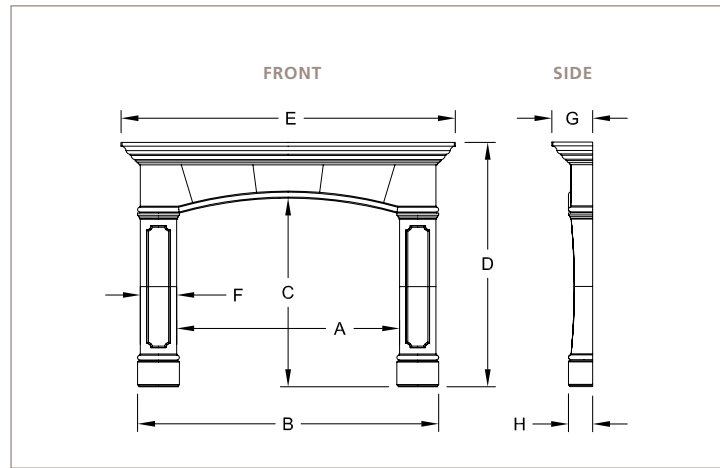
CAST | *Mantels*

FIRESIDE  
*Furnishings™*



CAST SERIES

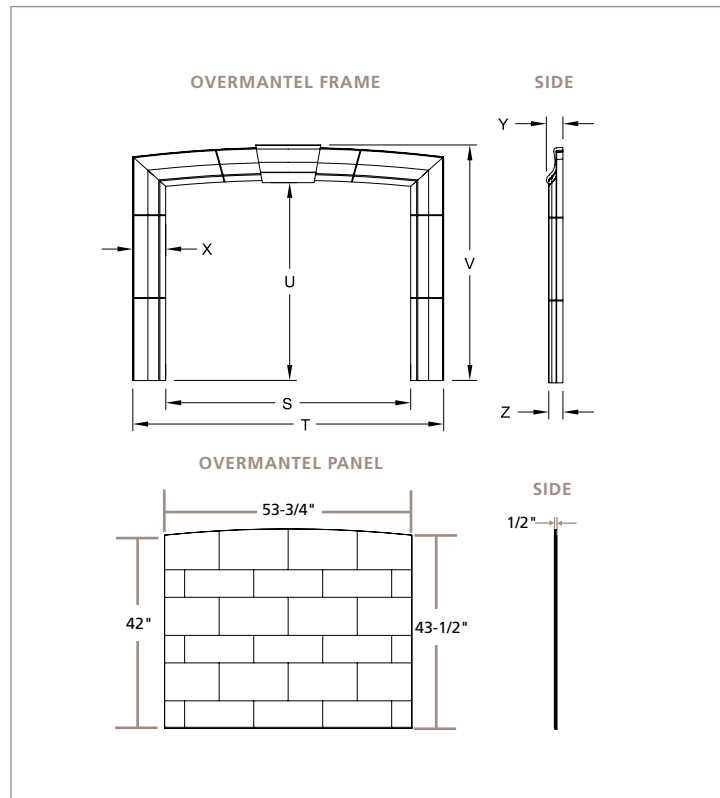
# AVALON



AVALON MANTEL WITH CAST FACING

	A OPENING WIDTH	B OUTSIDE WIDTH	C OPENING HEIGHT	D OUTSIDE HEIGHT	E TOP WIDTH	F LEG WIDTH	G SHELF DEPTH	H LEG DEPTH
AVALON	52"	70-1/4"	44"	57"	78"	8-1/2"	9-1/2"	5-5/8"

# AVALON with overmantel

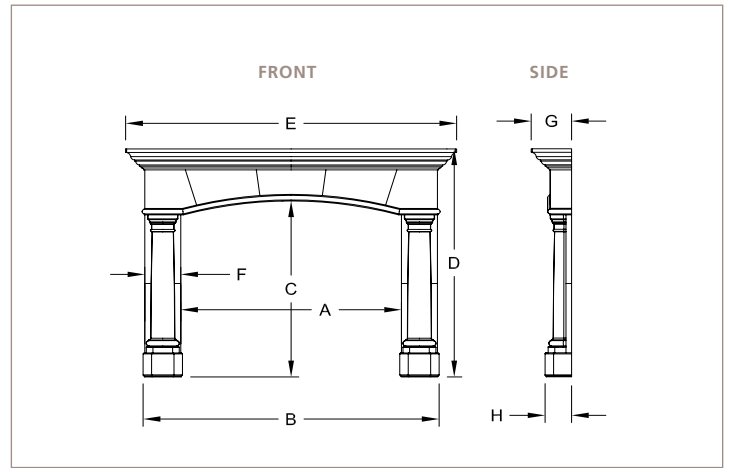


AVALON MANTEL AND CAST FACING WITH OVERMANTEL

	S OPENING WIDTH	T OUTSIDE WIDTH	U OPENING HEIGHT	V OUTSIDE HEIGHT	X LEG WIDTH	Y SHELF DEPTH	Z LEG DEPTH
AVALON OVERMANTEL	52"	66"	42"	50"	7"	3-1/2"	3"

Dimensions on all drawings are in inches and for reference only. Please refer to installation manual for detailed specifications on installing this product.

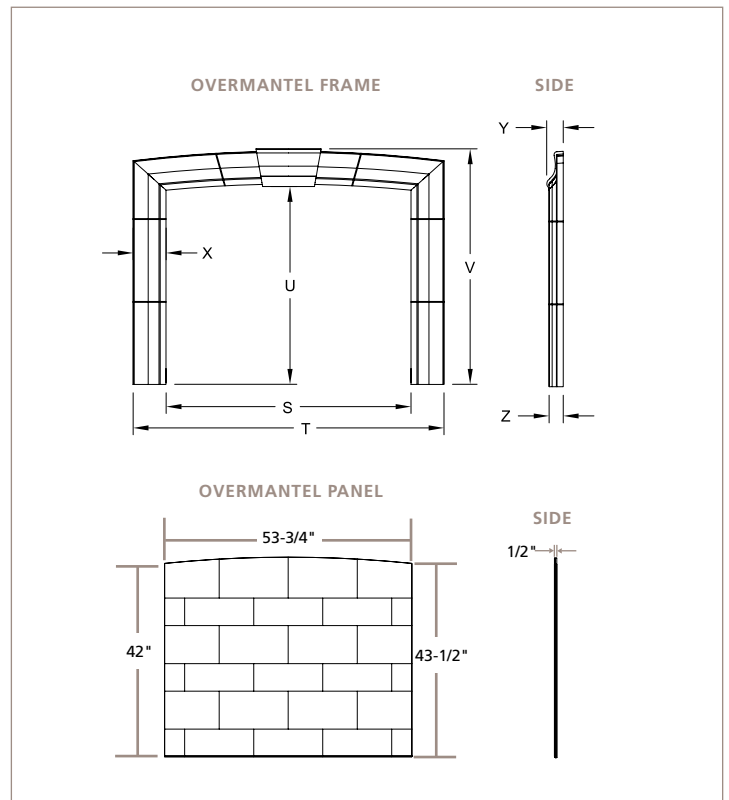
# BILTMORE



BILTMORE MANTEL WITH CAST FACING

	A OPENING WIDTH	B OUTSIDE WIDTH	C OPENING HEIGHT	D OUTSIDE HEIGHT	E TOP WIDTH	F LEG WIDTH	G SHELF DEPTH	H LEG DEPTH
BILTMORE	52"	69-3/4"	44"	57"	78"	8-1/2"	9-1/2"	6-1/4"

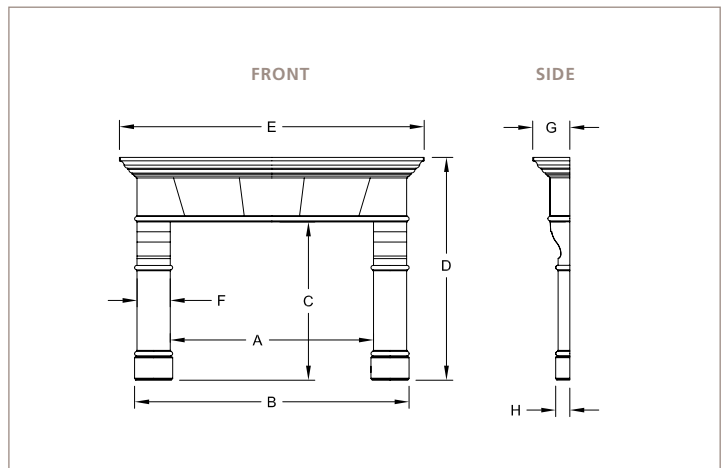
# BILTMORE *with overmantel*



BILTMORE MANTEL AND CAST FACING WITH OVERMANTEL

	S OPENING WIDTH	T OUTSIDE WIDTH	U OPENING HEIGHT	V OUTSIDE HEIGHT	X LEG WIDTH	Y SHELF DEPTH	Z LEG DEPTH
BILTMORE OVERMANTEL	52"	66"	42"	50"	7"	3-1/2"	3"

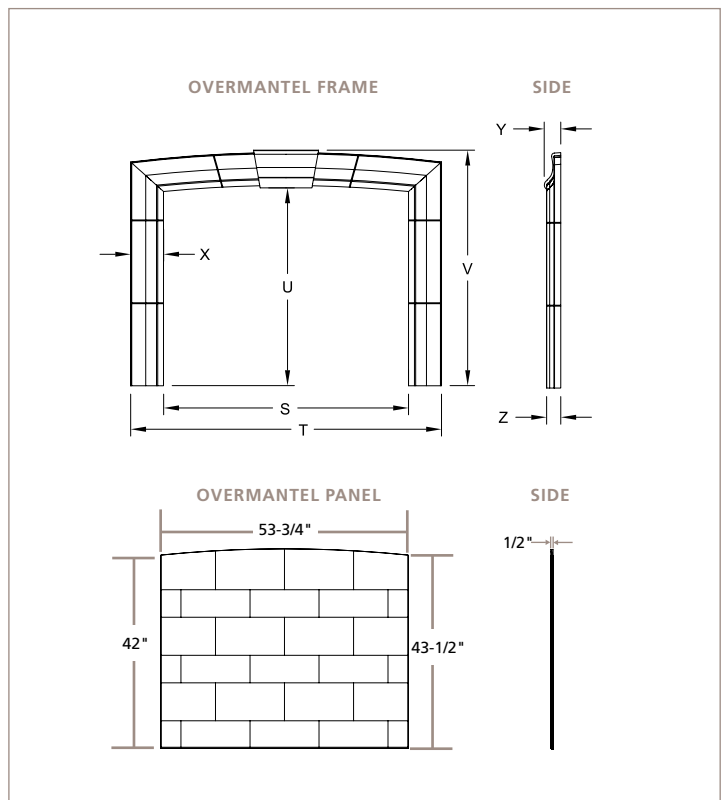
# HEARST



HEARST MANTEL WITH CAST FACING

	A OPENING WIDTH	B OUTSIDE WIDTH	C OPENING HEIGHT	D OUTSIDE HEIGHT	E TOP WIDTH	F LEG WIDTH	G SHELF DEPTH	H LEG DEPTH
HEARST	52"	69-3/4"	40-1/2"	57"	78"	8-1/2"	9-1/2"	3-5/8"

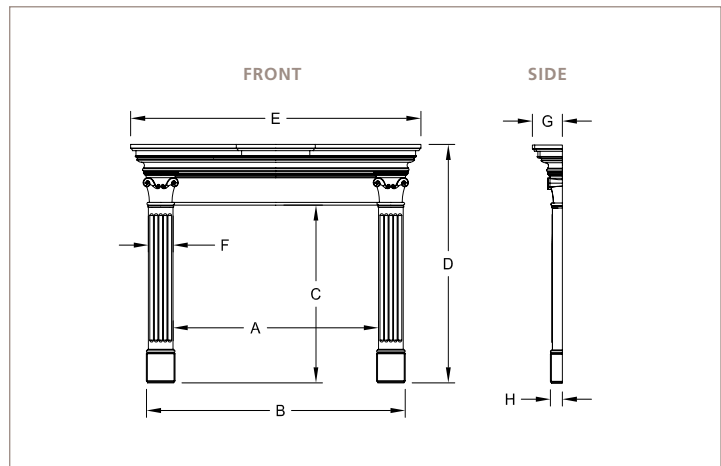
# HEARST with overmantel



HEARST MANTEL AND CAST FACING WITH OVERMANTEL

	S OPENING WIDTH	T OUTSIDE WIDTH	U OPENING HEIGHT	V OUTSIDE HEIGHT	X LEG WIDTH	Y SHELF DEPTH	Z LEG DEPTH
HEARST OVERMANTEL	52"	66"	42"	50"	7"	3-1/2"	3"

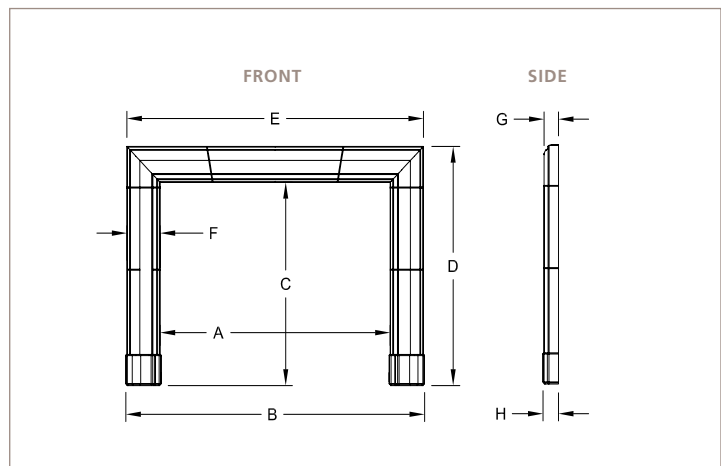
## PAROS



PAROS MANTEL WITH CAST FACING

	A OPENING WIDTH	B OUTSIDE WIDTH	C OPENING HEIGHT	D OUTSIDE HEIGHT	E TOP WIDTH	F LEG WIDTH	G SHELF DEPTH	H LEG DEPTH
PAROS	52"	65-1/2"	42-1/2"	57"	73-1/2"	6-1/4"	7-9/16"	3"

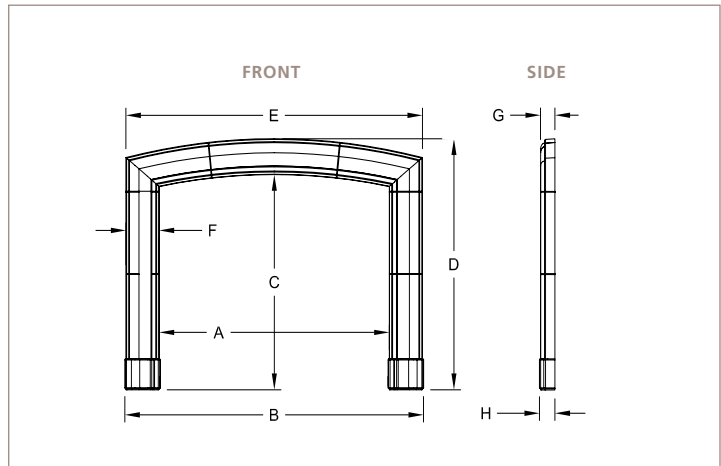
## SEDONA



SEDONA MANTEL WITH CAST FACING

	A OPENING WIDTH	B OUTSIDE WIDTH	C OPENING HEIGHT	D OUTSIDE HEIGHT	E TOP WIDTH	F LEG WIDTH	G SHELF DEPTH	H LEG DEPTH
SEDONA	52"	67-1/2"	42-1/2"	50"	67"	7-1/2"	3-1/4"	3-1/2"

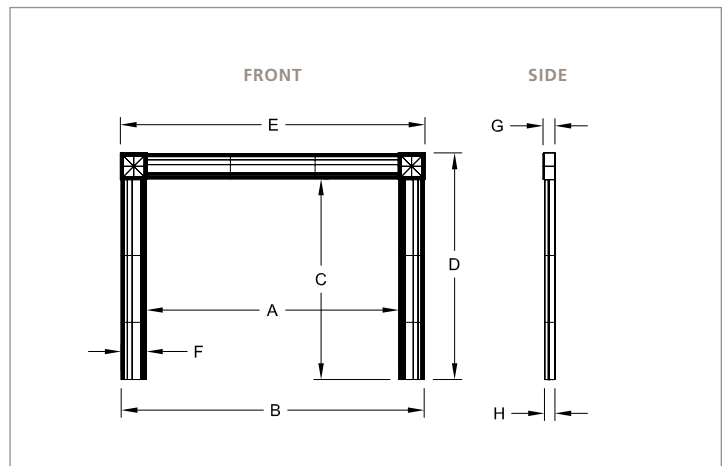
# RENO



RENO MANTEL WITH CAST FACING

	A OPENING WIDTH	B OUTSIDE WIDTH	C OPENING HEIGHT	D OUTSIDE HEIGHT	E TOP WIDTH	F LEG WIDTH	G SHELF DEPTH	H LEG DEPTH
RENO	52"	67-1/2"	45	52-1/2"	67	7-1/2"	3-1/4"	3-1/2"

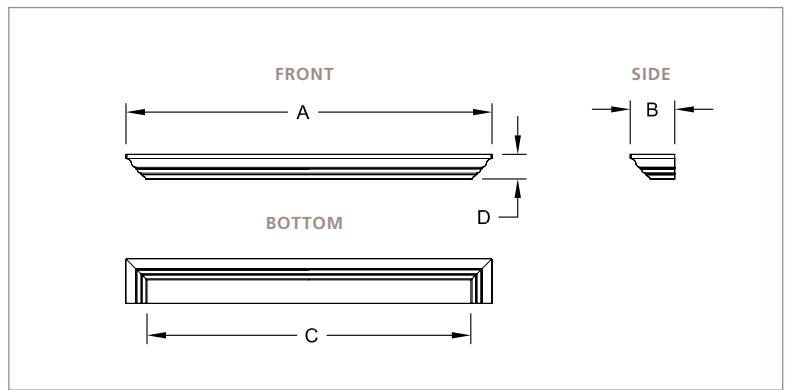
# CAROLINA



CAROLINA MANTEL

	A OPENING WIDTH	B OUTSIDE WIDTH	C OPENING HEIGHT	D OUTSIDE HEIGHT	E TOP WIDTH	F LEG WIDTH	G SHELF DEPTH	H LEG DEPTH
CAROLINA	42-1/2"	51"	33-3/4"	38-1/8"	51-1/4"	4-1/4"	2"	1-3/4"

## ENGLEWOOD *shelf*



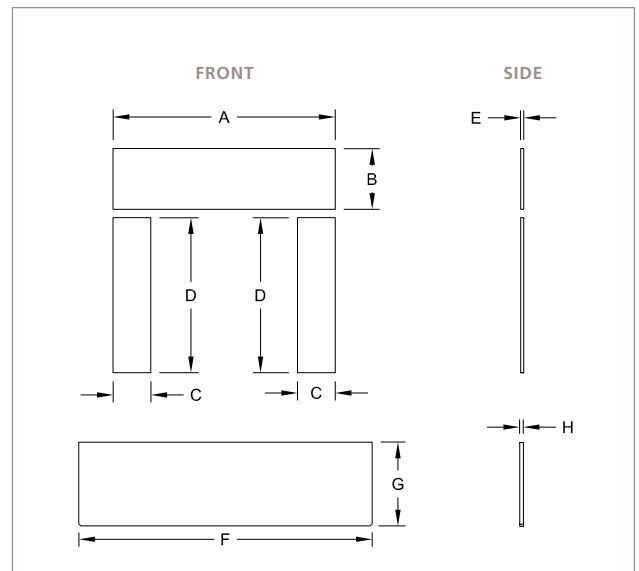
	A SHELF WIDTH	B SHELF DEPTH	C BOTTOM DEPTH	D HEIGHT
ENGLEWOOD	78"	9-1/2"	69"	5-1/4"

## CAST FACING

Our timelessly crafted facing frames the firebox with clean lines and warm cast material.

It's a perfect match in color and texture, creating a seamless flow between facing and mantel.

Every surround is ready-to-assemble and offers easy, trouble-free installation.



	A HEADER WIDTH	B HEADER HEIGHT	C LEG WIDTH	D LEG HEIGHT	E TYPICAL THICKNESS	F HEARTH WIDTH	G HEARTH DEPTH	H HEARTH THICKNESS
HEARTH 1	53"	14-1/2"	10"	37"	3/4"	70"	20"	7/8"
HEARTH 2	53"	14-1/2"	10"	37"	3/4"	74"	20"	1-1/4"

20802 KENSINGTON BLVD.  
LAKEVILLE, MN 55044  
800-817-8223

[www.fireplaces.com](http://www.fireplaces.com)

**FIRESIDE**  
Furnishings™

A BRAND OF HEARTH & HOME TECHNOLOGIES™ INC.

FSF-1001U-0608



## Free Manuals Download Website

<http://myh66.com>

<http://usermanuals.us>

<http://www.somanuals.com>

<http://www.4manuals.cc>

<http://www.manual-lib.com>

<http://www.404manual.com>

<http://www.luxmanual.com>

<http://aubethermostatmanual.com>

Golf course search by state

<http://golfingnear.com>

Email search by domain

<http://emailbydomain.com>

Auto manuals search

<http://auto.somanuals.com>

TV manuals search

<http://tv.somanuals.com>