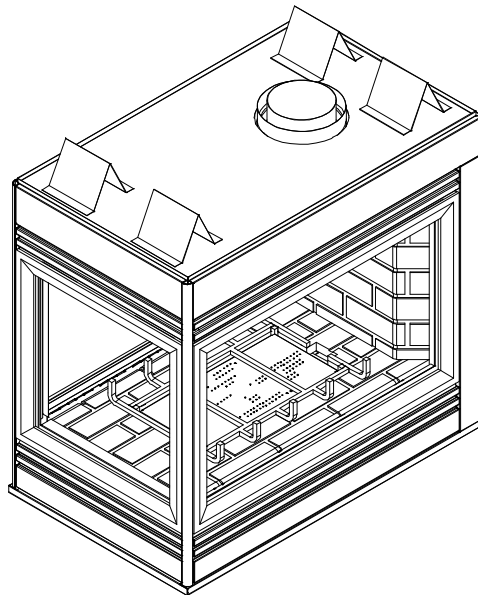


**Models:
Pier-TRC
ST-TRC
L-Corner-TRC
R-Corner-TRC**



Installers Guide



Underwriters
Laboratories Listed

WARNING: IF THE INFORMATION IN THESE INSTRUCTIONS IS NOT FOLLOWED EXACTLY, A FIRE OR EXPLOSION MAY RESULT CAUSING PROPERTY DAMAGE, PERSONAL INJURY, OR DEATH.

- Do not store or use gasoline or other flammable vapors and liquids in the vicinity of this or any other appliance.
- **What to do if you smell gas**
 - Do not try to light any appliance.
 - Do not touch any electrical switch.
 - Do not use any phone in your building.
 - Immediately call your gas supplier from a neighbor's phone. Follow the gas supplier's instructions.
 - If you cannot reach your gas supplier, call the fire department.
- Installation and service must be performed by a qualified installer, service agency, or the gas supplier.

READ THIS MANUAL BEFORE INSTALLING OR OPERATING THIS APPLIANCE. THIS *INSTALLERS GUIDE* MUST BE LEFT WITH APPLIANCE FOR FUTURE REFERENCE.

WARNING: IMPROPER INSTALLATION, ADJUSTMENT, ALTERATION, SERVICE OR MAINTENANCE CAN CAUSE INJURY OR PROPERTY DAMAGE. REFER TO THIS MANUAL. FOR ASSISTANCE OR ADDITIONAL INFORMATION CONSULT A QUALIFIED INSTALLER, SERVICE AGENCY, OR THE GAS SUPPLIER.

1. This appliance may be installed in an aftermarket, permanently located, manufactured (mobile) home, where not prohibited by local codes.
2. This appliance is only for use with the type of gas indicated on the rating plate. This appliance is not convertible for use with other gases, unless a certified kit is used.

Printed in U.S.A. Copyright 2003


Heat-N-Glo, a division of Hearth & Home Technologies Inc.
20802 Kensington Boulevard, Lakeville, MN 55044


Please contact your Heat-N-Glo dealer with any questions or concerns. For the number of your nearest Heat-N-Glo dealer, please call 1-888-427-3973.


This product is covered by one or more of the following patents: (United States) 4,112,913; 4,408,594; 4,422,426; 4,424,792; 4,520,791; 4,793,322; 4,852,548; 4,875,464; 5,000,162; 5,016,609; 5,076,254 5,191,877; 5,218,953; 5,328,356; 5,429,495; 5,452,708; 5,542,407; 5,613,487; (Australia) 543790; 586383; (Canada) 1,123,296; 1,297,746; 2,195,264; (Mexico) 97-0457; (New Zealand) 200265; or other U.S. and foreign patents pending.

501-900 REV. O 2/03


SAFETY AND WARNING INFORMATION


 **READ** and **UNDERSTAND** all instructions carefully before starting the installation. **FAILURE TO FOLLOW** these installation instructions may result in a possible fire hazard and will void the warranty.


 Prior to the first firing of the fireplace, **READ** the Using Your Fireplace section of the *Owners Guide*.


 **DO NOT USE** this appliance if any part has been under water. Immediately **CALL** a qualified service technician to inspect the unit and to replace any part of the control system and any gas control which has been under water.


 **THIS UNIT IS NOT FOR USE WITH SOLID FUEL.**


 Installation and repair should be **PERFORMED** by a qualified service person. The appliance and venting system should be **INSPECTED** before initial use and at least annually by a professional service person. More frequent cleaning may be required due to excessive lint from carpeting, bedding material, etc. It is **IMPERATIVE** that the unit's control compartment, burners, and circulating air passageways **BE KEPT CLEAN** to provide for adequate combustion and ventilation air.


 Always **KEEP** the appliance clear and free from combustible materials, gasoline, and other flammable vapors and liquids.


 **NEVER OBSTRUCT** the flow of combustion and ventilation air. Keep the front of the appliance **CLEAR** of all obstacles and materials for servicing and proper operations.


 Due to the high temperature, the appliance should be **LOCATED** out of traffic areas and away from furniture and draperies. Clothing or flammable material **SHOULD NOT BE PLACED** on or near the appliance.


 Children and adults should be **ALERTED** to the hazards of high surface temperature and should **STAY AWAY** to avoid burns or clothing ignition. Young children should be **CAREFULLY SUPERVISED** when they are in the same room as the appliance.


 These units **MUST** use one of the vent systems described in the Installing the Fireplace section of the *Installers Guide*. **NO OTHER** vent systems or components **MAY BE USED**.


 This gas fireplace and vent assembly **MUST** be vented directly to the outside and **MUST NEVER** be attached to a chimney serving a separate solid fuel burning appliance. Each gas appliance **MUST USE** a separate vent system. Common vent systems are **PROHIBITED**.


 **INSPECT** the external vent cap on a regular basis to make sure that no debris is interfering with the air flow.


 The glass door assembly **MUST** be in place and sealed, and the trim door assembly **MUST** be in place on the fireplace before the unit can be placed into safe operation.

 **DO NOT OPERATE** this appliance with the glass door removed, cracked, or broken. Replacement of the glass door should be performed by a licensed or qualified service person. **DO NOT** strike or slam the glass door.

 The glass door assembly **SHALL ONLY** be replaced as a complete unit, as supplied by the gas fireplace manufacturer. **NO SUBSTITUTE** material may be used.

 **DO NOT USE** abrasive cleaners on the glass door assembly. **DO NOT ATTEMPT** to clean the glass door when it is hot.

 Turn off the gas before servicing this appliance. It is recommended that a qualified service technician perform an appliance check-up at the beginning of each heating season.

 Any safety screen or guard removed for servicing must be replaced before operating this appliance.


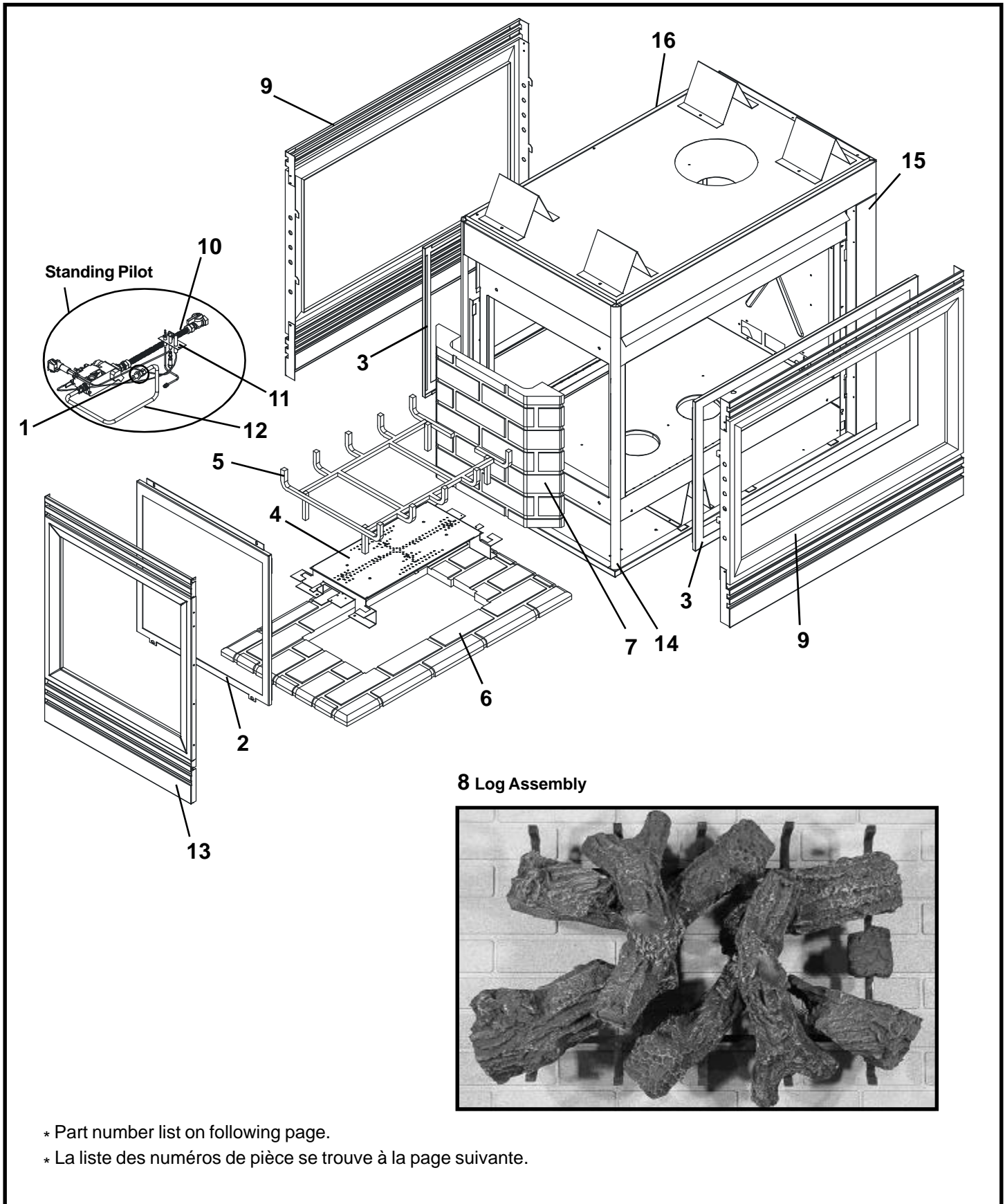
 **DO NOT** place furniture or any other combustible household objects within 36 inches of the fireplace front.

TABLE OF CONTENTS

Safety and Warning Information	2
Service Parts Lists	4
Section 1: Approvals and Codes	12
Approval Listings and Codes	12
Appliance Certification	12
Installation Codes	12
High Altitude Installations	12
Section 2: Getting Started	13
Introducing the Heat-N-Glo Gas Fireplaces	13
Pre-installation Preparation	13
Section 3: Installing the Fireplace	17
Step 1 Locating the Fireplace	17
Step 2 Framing the Fireplace	17
Step 3 Installing the Vent System	20
◆ A. Vent System Approvals	20
B. Installing Vent Components	27
C. Vent Termination	30
Step 4 Positioning, Leveling, and Securing the Fireplace	33
Step 5 The Gas Control Systems	33
Step 6 The Gas Supply Line	34
Step 7 Gas Pressure Requirements	34
Step 8 Wiring the Fireplace	35
Step 9 Finishing	37
Step 10 Installing Trim, Logs, and Ember Material	38
Installing the Trim	38
Positioning the Logs	38
Shutter Settings	38
Placing the Ember Material	38
Step 11 Before Lighting the Fireplace	39
Step 12 Lighting the Fireplace	39
After the Installation	39
◆ Section 4: Maintaining and Servicing Your Fireplace	40

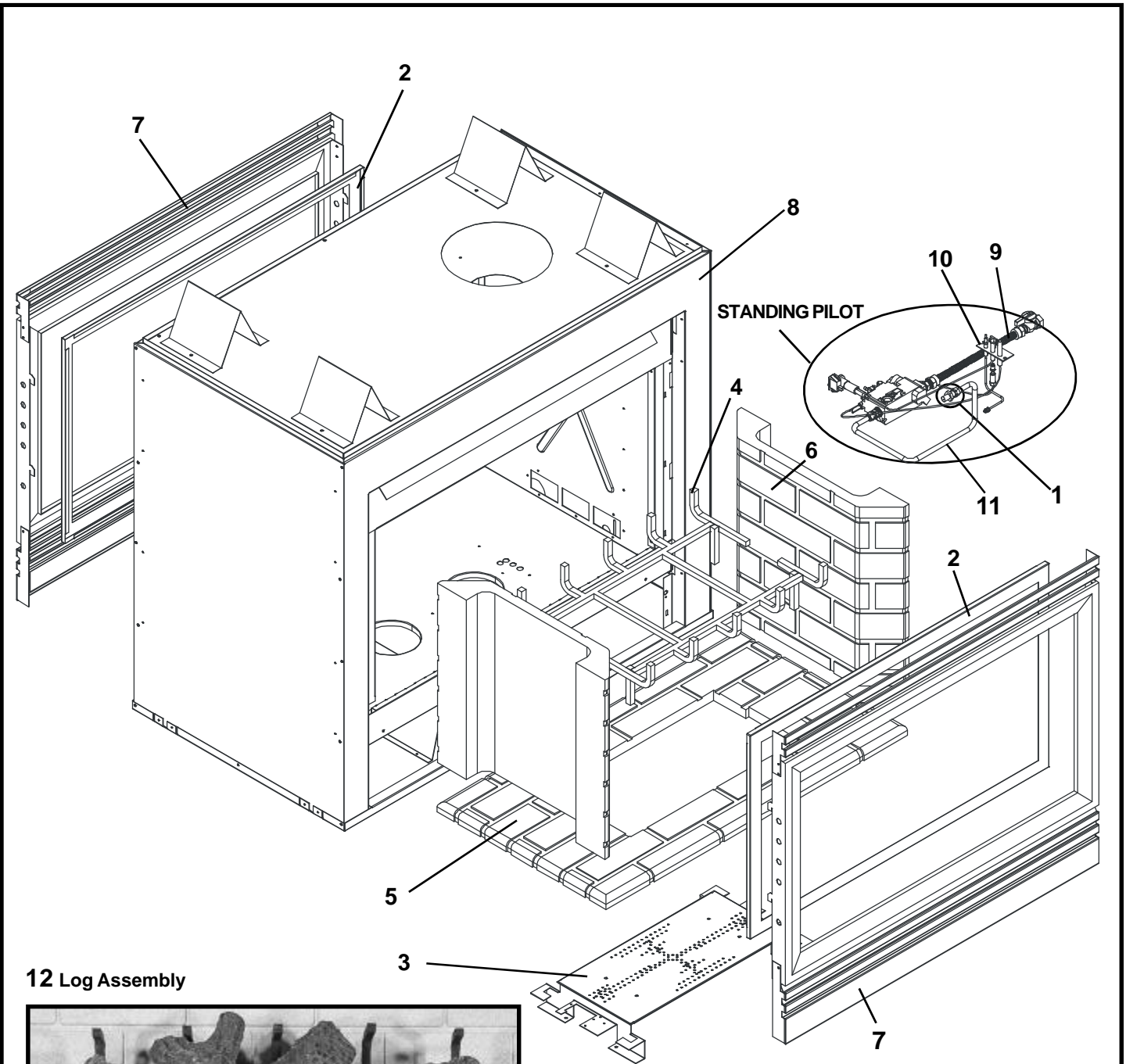
◆ = Contains updated information.



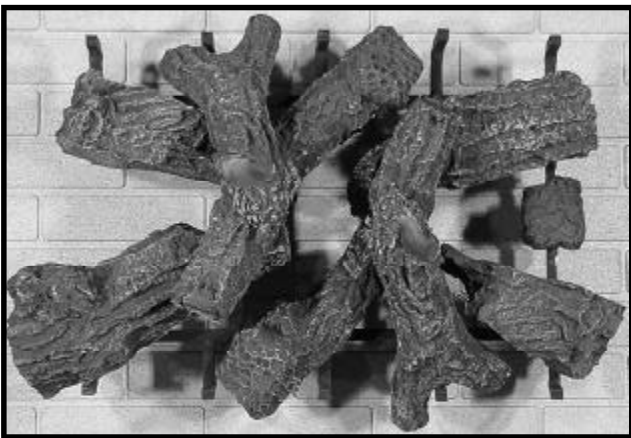
(NG, LP) Exploded Parts Diagram / Vue éclatée des pièces**PIER-TRC**

IMPORTANT: THIS IS DATED INFORMATION. The most current information is located on your dealers VIP site. When ordering, supply serial and model numbers to ensure correct service parts. / **IMPORTANT :** L'information fournie dans cette brochure n'est valide que pendant une courte période. Les sites VIP des distributeurs disposent des renseignements les plus récents. Lors d'une commande, veuillez fournir les numéros de série et de modèles pour un remplacement adéquat des pièces.

ITEM / PIÈCE	COMMON PART / PIÈCES COMMUNES	SERIAL # / N° DE SÉRIE	PART NUMBER / N° DE PIÈCE
	ON/OFF Rocker Switch / Interrupteur à bascule marche/arrêt		060-511
1	Burner Orifice NG (#32DMS) / Orifice de brûleur GN (#32DMS)		573-800
1	Burner Orifice LP (1.8mm) / Orifice de brûleur PL (#1.8mm)		501-801
2	End Glass Assembly		GLA-PTRC-E
3	Glass Door Assembly NG / Porte en verre GN	PRE 8865 POST 8865	GLA-PTRC GLA-PIER
3	Glass Door Assembly LP/ Porte en verre PL	PRE 2301 POST 2301	GLA-PTRC GLA-PIER
4	Burner Assembly NG / Brûleur GN	PRE 16919 16919 to 18287 POST 18288	SRV501-176A 501-173A 501-272A
4	Burner Assembly LP / Brûleur PL	PRE 3666 3666 to 3984 POST 3985	SRV501-175A 501-172A 501-273A
5	Log Grate / Grille de Bûche		501-364
6	Base Refractory / Réfractaire Base		SRV504-738-UM
7	Refractory, Rear / Réfractaire		SRV504-737-UM
8	NG Log Set Assembly (sold as complete log set only) / GN Jeu de Bûches	PRE 18287 POST 18288	LOGS-PTRC LOGS-MS
	LP Log Set Assembly (sold as complete log set only) / PL Jeu de Bûches	PRE 3984 POST 3985	LOGS-PTRC LOGS-MS
9	Decorative Front / Avant décoratif		DF-36H
10	Flex Ball Valve Assembly / Fléchir l'Assemblée de Soupape de Balle		302-320A
12	3/8" Burner Tube / Tube de brûleur		570-301A
13	Decorative Front (End) / Le Devant décoratif (la Fin)		DF-PTRCE
14	Extrusion with holes / L'extrusion avec les trous		464-343
15	Surround Right / Entourage droit		501-233
16	Surround Left / Entourage gauche		501-232
	Glass Clip / Trombone de verre		501-235
STANDING PILOT IGNITION ONLY / ALLUMAGE UNE VEILLEUSE SEULEMENT			
	Piezo Ignitor / Allumage Piézo		418-513
	Junction Box / Boîtier de raccordement		100-250A
	Valve NG / Valve GN		060-522
	Valve LP / Valve PL		060-523
11	Pilot Assembly NG / Module de veilleuse GN		485-510A
11	Pilot Assembly LP / Module de veilleuse PL		485-511A
	Pilot Orifice NG / Orifice de veilleuse GN		446-505
	Pilot Orifice LP / Orifice de veilleuse PL		446-517
	Thermocouple / Thermocouple		446-511
	Thermopile / Thermopile		060-512
	Pilot Tube / Tube de veilleuse		SRV485-301
DSI IGNITION ONLY / ALLUMAGE DSI SEULEMENT			
	Junction Box / Boîtier de raccordement		100-254A
	Valve NG / Valve GN		492-500
	Valve LP / Valve PL		492-501
	Electrode / Électrode		501-591
	Module / Module		501-592
IPI IGNITION ONLY / ALLUMAGE IPI SEULEMENT			
	Junction Box / Boîtier de raccordement		383-250A
	Valve NG / Valve GN		750-500
	Valve LP / Valve PL		750-501
11	Pilot Assembly NG / Module de veilleuse GN		385-510A
11	Pilot Assembly LP / Module de veilleuse PL		385-511A
	Wire Assembly / Module de fil		593-590A
	Module / Module		593-592
	3V Plug		593-593A
	Conversion Kit NG / Module de conversion GN		NGK-MS-IPI
	Conversion Kit LP / Module de conversion PL		LPK-MS-IPI
	Pilot Tube / Tube de veilleuse		SRV485-301
	Battery Pack / Paquet de Batterie(Pile)		593-594A
ACCESSORIES / ACCESSOIRES			
	Fan Kit / Module de ventilateur		GFK-160A
	Remote Control Kit / Commande à distance		RC-SMART-HNG
	Remote Control Kit / Commande à distance		SMART-STAT-HNG
	Conversion Kit NG / Module de conversion GN	PRE 18287	NGK-PTRD
		POST 18288	NGK-PTRCMS NGK-PTRCMS-DSI
	Conversion Kit LP / Module de conversion PL	PRE 3984	LPK-PTRD
		POST 3985	LPK-PTRCMS LPK-PTRCMS-DSI



12 Log Assembly

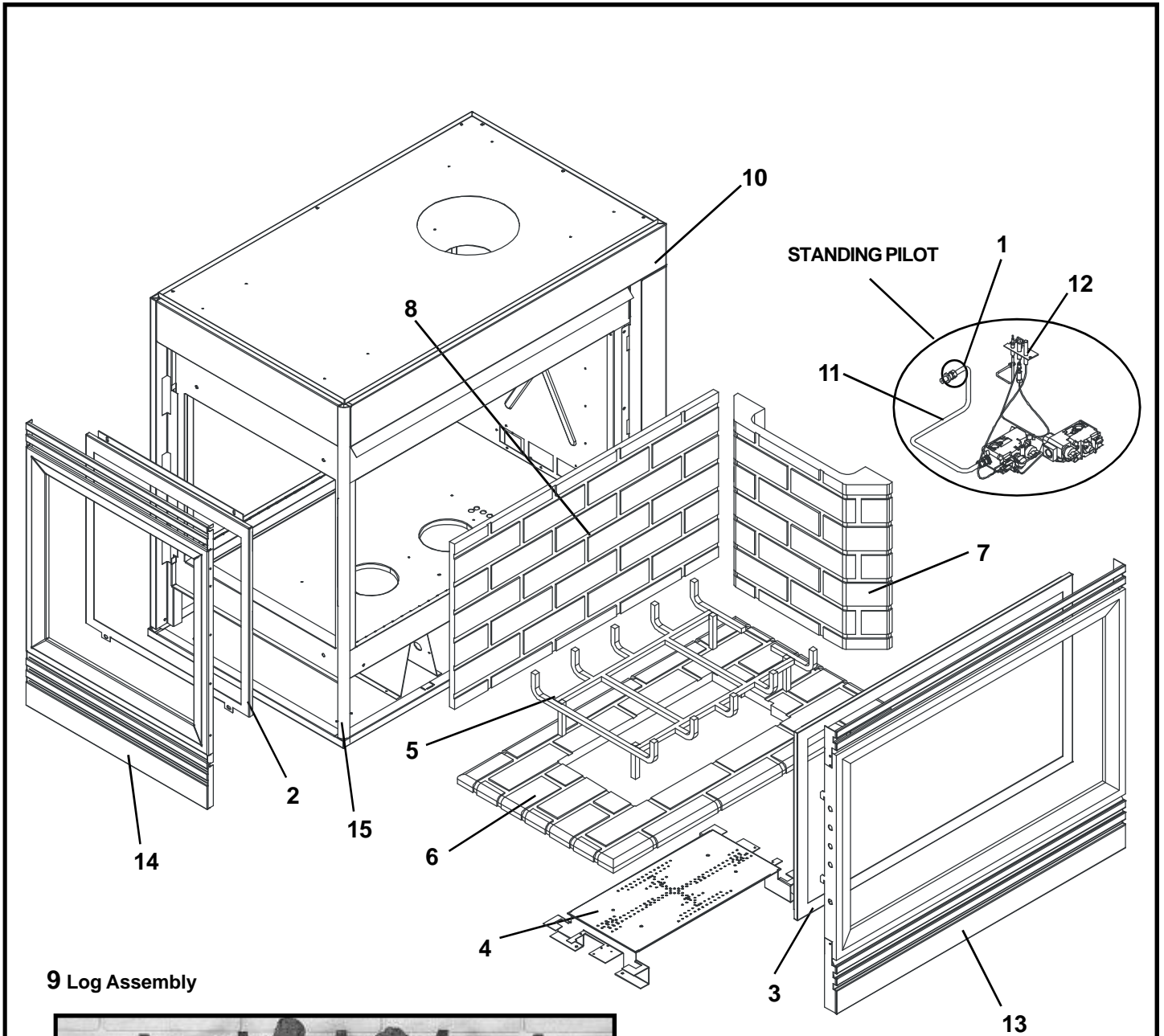


* Part number list on following page.
* La liste des numéros de pièce se trouve à la page suivante.

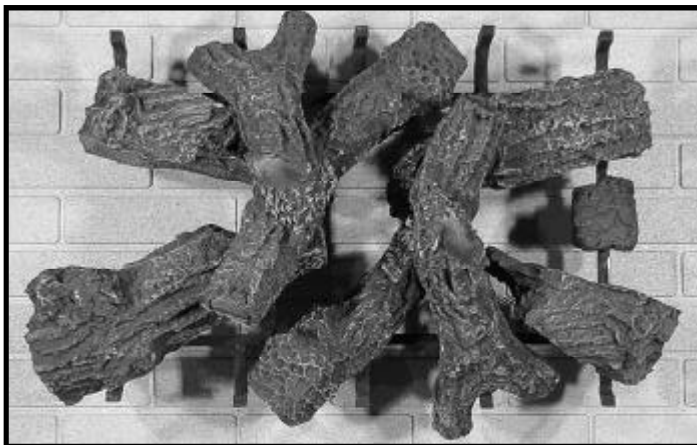
(NG, LP) Exploded Parts Diagram / Vue éclatée des pièces**ST-TRC**

IMPORTANT: THIS IS DATED INFORMATION. The most current information is located on your dealers VIP site. When ordering, supply serial and model numbers to ensure correct service parts. / **IMPORTANT :** L'information fournie dans cette brochure n'est valide que pendant une courte période. Les sites VIP des distributeurs disposent des renseignements les plus récents. Lors d'une commande, veuillez fournir les numéros de série et de modèles pour un remplacement adéquat des pièces.

ITEM / PIÈCE	COMMON PARTS / PIÈCES COMMUNES	SERIAL # / N° DE SÉRIE	PART NUMBER / N° DE PIÈCE
	ON/OFF Rocker Switch / Interrupteur à bascule marche/arrêt		060-511
1	Burner Orifice NG (#32DMS) / Orifice de brûleur GN (#32DMS)		573-800
1	Burner Orifice LP (1.8mm) / Orifice de brûleur PL (1.8mm)		501-801
2	Glass Door Assembly NG / Porte en verre GN	PRE 8558 POST 8558	GLA-PTRC GLA-PIER
2	Glass Door Assembly LP / Porte en verre PL	PRE 2254 POST 2254	GLA-PTRC GLA-PIER
3	Burner Assembly NG / Brûleur GN	PRE 16067 16067 to 18029 POST 18030	SRV501-176A 501-173A 501-272A
3	Burner Assembly LP / Brûleur PL	PRE 3608 3608 to 3994 POST 3995	SRV501-175A 501-172A 501-273A
4	Log Grate / Grille de Bûche		501-364
5	Base Refractory / Réfractaire Base		SRV504-738-UM
6	Refractory, Rear / Réfractaire		SRV504-737-UM
7	Decorative Front / Avant décoratif		DF-36H
8	Surround Side / Entourage gauche		502-202
9	Flex Ball Valve Assembly / Fléchir l'Assemblée de Soupape de Balle		302-320A
11	3/8" Burner Tube / Tube de brûleur		570-301A
12	NG Log Set Assembly (sold as complete log set only) / GN Jeu de Bûches	PRE18029 POST 18030	LOGS-PTRC LOGS-MS
	LP Log Set Assembly (sold as complete log set only) / PL Jeu de Bûches	PRE 3994 POST 3995	LOGS-PTRC LOGS-MS
	Glass Clips / Trombone de verre		501-135
STANDING PILOT IGNITION ONLY / ALLUMAGE UNE VEILLEUSE SEULEMENT			
	Piezo Ignitor / Allumage Piézo		418-513
	Junction Box / Boîtier de raccordement		100-250A
	Valve NG / Valve GN		060-522
	Valve LP / Valve PL		060-523
	Pilot Assembly NG / Module de veilleuse GN		485-510A
10	Pilot Assembly LP / Module de veilleuse PL		485-511A
10	Pilot Orifice NG / Orifice de veilleuse GN		446-505
	Pilot Orifice LP / Orifice de veilleuse PL		446-517
	Thermocouple / Thermocouple		446-511
	Thermopile / Thermopile		060-512
	Pilot Tube / Tube de veilleuse		SRV485-301
DSI IGNITION ONLY / ALLUMAGE DSI SEULEMENT			
	Junction Box / Boîtier de raccordement		100-254A
	Valve NG / Valve GN		492-500
	Valve LP / Valve PL		492-501
	Electrode / Électrode		501-591
	Module / Module		501-592
IPI IGNITION ONLY / ALLUMAGE IPI SEULEMENT			
	Junction Box / Boîtier de raccordement		383-250A
	Valve NG / Valve GN		750-500
	Valve LP / Valve PL		750-501
10	Pilot Assembly NG / Module de veilleuse GN		385-510A
10	Pilot Assembly LP / Module de veilleuse PL		385-511A
	Wire Assembly / Module de fil		593-590A
	Module / Module		593-592
	3V Plug		593-593A
	Conversion Kit NG / Module de conversion GN		NGK-MS-IPI
	Conversion Kit LP / Module de conversion PL		LPK-MS-IPI
	Pilot Tube / Tube de veilleuse		SRV485-301
	Battery Pack / Paquet de Batterie(Pile)		593-594A
ACCESSORIES / ACCESSOIRES			
	Fan Kit / Module de ventilateur		GFK-160A
	Remote Control Kit / Commande à distance		RC-SMART-HNG
	Remote Control Kit / Commande à distance		SMART-STAT-HNG
	Conversion Kit NG / Module de conversion GN	PRE 18029	NGK-PTRD
		POST 18030	NGK-PTRCMS NGK-PTRCMS-DSI
	Conversion Kit LP / Module de conversion PL	PRE 3994	LPK-PTRD
		POST 3995	LPK-PTRCMS LPK-PTRCMS-DSI



9 Log Assembly

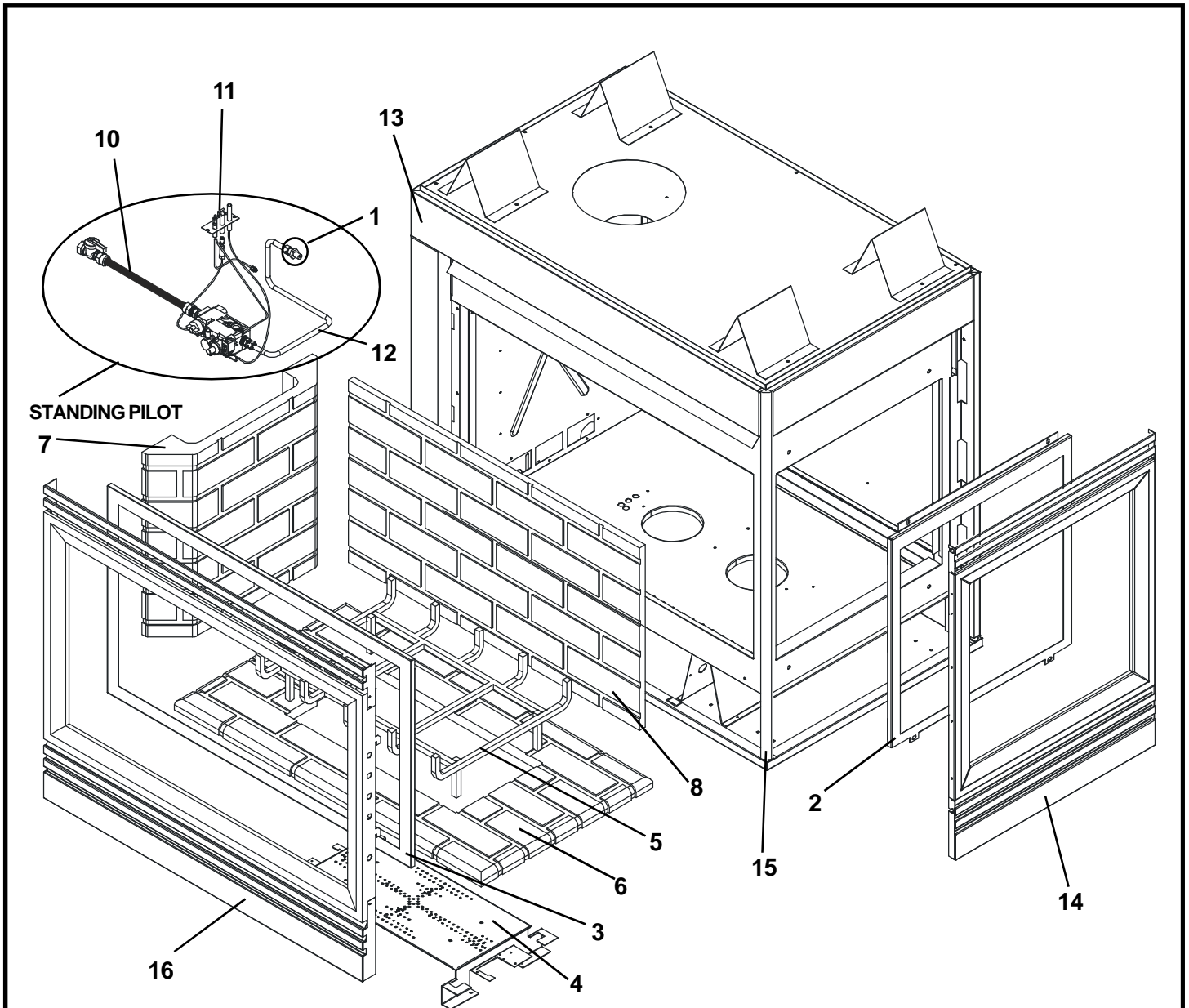


* Part number list on following page.
* La liste des numéros de pièce se trouve à la page suivante.

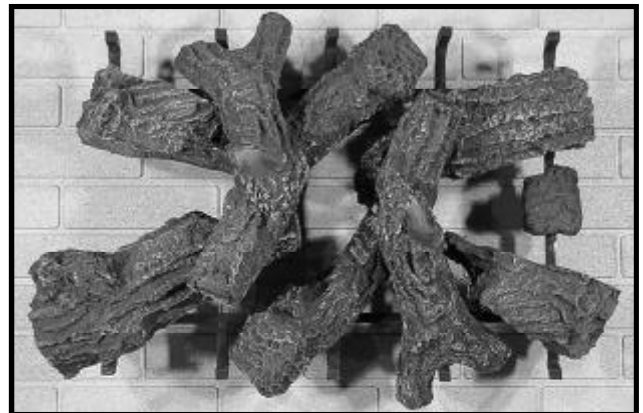
(NG, LP) Exploded Parts Diagram / Vue éclatée des pièces**L-CORNER-TRC**

IMPORTANT: THIS IS DATED INFORMATION. The most current information is located on your dealers VIP site. When ordering, supply serial and model numbers to ensure correct service parts. / **IMPORTANT :** L'information fournie dans cette brochure n'est valide que pendant une courte période. Les sites VIP des distributeurs disposent des renseignements les plus récents. Lors d'une commande, veuillez fournir les numéros de série et de modèles pour un remplacement adéquat des pièces.

ITEM / PIÈCE	COMMON PARTS / PIÈCES COMMUNES	SERIAL # / N° DE SÉRIE	PART NUMBER / N° DE PIÈCE
	ON/OFF Rocker Switch / Interrupteur à bascule marche/arrêt		060-511
1	Burner Orifice NG (#32DMS) / Orifice de brûleur GN (#32DMS)		573-800
1	Burner Orifice LP (1.8mm) / Orifice de brûleur PL (1.8mm)		501-801
2	Glass Door Assembly, End / Porte en verre		GLA-PTRC-E
3	Glass Door Assembly NG / Porte en verre GN	PRE 1957 POST 1957	GLA-PTRC GLA-PIER
3	Glass Door Assembly LP/ Porte en verre PL	PRE 1232 POST 1232	GLA-PTRC GLA-PIER
4	Burner Assembly NG / Brûleur GN	PRE 2920 2920 to 3102 POST 3103	SRV501-176A 501-173A 501-272A
4	Burner Assembly LP / Brûleur PL	PRE 1439 1439 to 1473 POST 1474	SRV501-175A 501-172A 501-273A
5	Log Grate / Grille de Bûche		501-364
6	Base Refractory / Réfractaire Base		SRV504-738-UM
7	Refractory, Rear / Réfractaire		SRV504-737-UM
8	Refractory, Back / Réfractaire		SRV504-736-UM
9	NG Log Set Assembly (sold as complete log set only) / GN Jeu de Bûches	PRE 3102 POST 3103	LOGS-PTRC LOGS-MS
	LP Log Set Assembly (sold as complete log set only) / GN Jeu de Bûches	PRE 1473 POST 1473	LOGS-PTRC LOGS-MS
10	Surround Side Left / Entourer le Côté Part		501-232
11	3/8" Burner Tube / Tube de brûleur		570-301A
13	Decorative Front / Avant décoratif		DF-36H
14	Decorative Front End / La Fin décorative de Devant		DF-PTRCE
15	Extrusion with holes / L'extrusion avec les trous		464-343
	Glass Clip / Trombone de verre		501-135
	Flex Ball Valve Assembly / Fléchir l'Assemblée de Soupape de Balle		302-320A
STANDING PILOT IGNITION ONLY / ALLUMAGE UNE VEILLEUSE SEULEMENT			
	Piezo Ignitor / Allumage Piézo		418-513
	Junction Box / Boîtier de raccordement		100-250A
	Valve NG / Valve GN		060-522
	Valve LP / Valve PL		060-523
12	Pilot Assembly NG / Module de veilleuse GN		485-510A
12	Pilot Assembly LP / Module de veilleuse PL		485-511A
	Pilot Orifice NG / Orifice de veilleuse GN		446-505
	Pilot Orifice LP / Orifice de veilleuse PL		446-517
	Thermocouple / Thermocouple		446-511
	Thermopile / Thermopile		060-512
	Pilot Tube / Tube de veilleuse		SRV485-301
DSI IGNITION ONLY / ALLUMAGE DSI SEULEMENT			
	Junction Box / Boîtier de raccordement		100-254A
	Valve NG / Valve GN		492-500
	Valve LP / Valve PL		492-501
	Electrode / Électrode		501-591
	Module / Module		501-592
IPI IGNITION ONLY / ALLUMAGE IPI SEULEMENT			
	Junction Box / Boîtier de raccordement		383-250A
	Valve NG / Valve GN		750-500
	Valve LP / Valve PL		750-501
12	Pilot Assembly NG / Module de veilleuse GN		385-510A
12	Pilot Assembly LP / Module de veilleuse PL		385-511A
	Wire Assembly / Module de fil		593-590A
	Module / Module		593-592
	3V Plug		593-593A
	Conversion Kit NG / Module de conversion GN		NGK-MS-IPI
	Conversion Kit LP / Module de conversion PL		LPK-MS-IPI
	Pilot Tube / Tube de veilleuse		SRV485-301
	Battery Pack / Paquet de Batterie(Pile)		593-594A
ACCESSORIES / ACCESSOIRES			
	Fan Kit / Module de ventilateur		GFK-160A
	Remote Control Kit / Commande à distance		RC-SMART-HNG
	Remote Control Kit / Commande à distance		SMART-STAT-HNG
	Conversion Kit NG / Module de conversion GN	PRE 3102 POST 3103	NGK-PTRD NGK-PTRCMS
	Conversion Kit LP / Module de conversion PL	PRE 1472 POST 1473	LPK-PTRD LPK-PTRCMS



9 Log Assembly



* Part number list on following page.
* La liste des numéros de pièce se trouve à la page suivante.

IMPORTANT: THIS IS DATED INFORMATION. The most current information is located on your dealers VIP site. When ordering, supply serial and model numbers to ensure correct service parts. / **IMPORTANT :** L'information fournie dans cette brochure n'est valide que pendant une courte période. Les sites VIP des distributeurs disposent des renseignements les plus récents. Lors d'une commande, veuillez fournir les numéros de série et de modèles pour un remplacement adéquat des pièces.

ITEM / PIÈCE	COMMON PARTS / PIÈCES COMMUNES	SERIAL # / N° DE SÉRIE	PART NUMBER / N° DE PIÈCE
	ON/OFF Rocker Switch / Interrupteur à bascule marche/arrêt		060-511
1	Burner Orifice NG (#32DMS) / Orifice de brûleur GN (#32DMS)		573-800
1	Burner Orifice LP (1.8mm) / Orifice de brûleur PL (1.8mm)		501-801
2	Glass Door Assembly, End / Porte en verre		GLA-PTRC-E
3	Glass Door Assembly NG / Porte en verre GN	PRE 2132 POST 2132	GLA-PTRC GLA-PIER
3	Glass Door Assembly NG / Porte en verre GN	PRE 1240 POST 1240	GLA-PTRC GLA-PIER
4	Burner Assembly NG / Brûleur GN	PRE 3178 3178 to 3355 POST 3356	SRV501-176A 501-173A 501-272A
4	Burner Assembly LP / Brûleur PL	PRE 1427 1427 to 1478 POST 1479	SRV501-175A 501-172A 501-273A
5	Log Grate / Grille de Bûche		501-364
6	Base Refractory / Réfractaire Base		SRV504-738-UM
7	Refractory, Rear / Réfractaire		SRV504-737-UM
8	Refractory, Back / Réfractaire		SRV504-736-UM
9	NG Log Set Assembly / GN Jeu de Bûches	PRE 3355 POST 3356	LOGS-PTRC LOGS-MS
	LP Log Set Assembly / PL Jeu de Bûches	PRE 1478 POST 1479	LOGS-PTRC LOGS-MS
10	Flex Ball Valve Assembly / Fléchet l'Assemblée de Soupape de Balle		320-320A
12	3/8" Burner Tube / Tube de brûleur		570-301A
13	Surround Right / Entourage droit		501-232
14	Decorative Front End / La Fin décorative de Devant		DF-PTRCE
15	Extrusion with holes / L'extrusion avec les trous		464-343
16	Decorative Front / Avant décoratif		DF-36H
	Glass Clips / Trombone de verre		501-135
STANDING PILOT IGNITION ONLY			
	Piezo Ignitor / Allumage Piézo		418-513
	Junction Box / Boîtier de raccordement		100-250A
	Valve NG / Valve GN		060-522
	Valve LP / Valve PL		060-523
11	Pilot Assembly NG / Module de veilleuse GN		485-510A
11	Pilot Assembly LP / Module de veilleuse PL		485-511A
	Pilot Orifice NG / Orifice de veilleuse GN		446-505
	Pilot Orifice LP / Orifice de veilleuse PL		446-517
	Thermocouple / Thermocouple		446-511
	Thermopile / Thermopile		060-512
	Pilot Tube / Tube de veilleuse		SRV485-301
DSI IGNITION ONLY / ALLUMAGE DSI SEULEMENT			
	Junction Box / Boîtier de raccordement		100-254A
	Valve NG / Valve GN		492-500
	Valve LP / Valve PL		492-501
	Electrode / Électrode		501-591
	Module / Module		501-592
IPI IGNITION ONLY / ALLUMAGE IPI SEULEMENT			
	Junction Box / Boîtier de raccordement		383-250A
	Valve NG / Valve GN		750-500
	Valve LP / Valve PL		750-501
11	Pilot Assembly NG / Module de veilleuse GN		385-510A
11	Pilot Assembly LP / Module de veilleuse PL		385-511A
	Wire Assembly / Module de fil		593-590A
	Module / Module		593-592
	3V Plug		593-593A
	Conversion Kit NG / Module de conversion GN		NGK-MS-IPI
	Conversion Kit LP / Module de conversion PL		LPK-MS-IPI
	Pilot Tube / Tube de veilleuse		SRV485-301
	Battery Pack / Paquet de Batterie(Pile)		593-394A
ACCESSORIES / ACCESSOIRES			
	Fan Kit / Module de ventilateur		GFK-160A
	Remote Control Kit / Commande à distance		RC-SMART-HNG
	Remote Control Kit / Commande à distance		SMART-STAT-HNG
	Conversion Kit NG / Module de conversion GN	PRE 3355	NGK-PTRD
		POST 3356	NGK-PTRCMS NGK-PTRCMS-DSI
	Conversion Kit LP / Module de conversion PL	PRE 1478	LPK-PTRD
		POST 1479	LPK-PTRCMS LPK-PTRCMS-DSI

1

Approvals and Codes

Appliance Certification

The Heat-N-Glo fireplace models discussed in this *Installers Guide* have been tested to certification standards and listed by the applicable laboratories.

Certification

MODELS: PIER-TRC, ST-TRC,
L-CORNER-TRC, R-CORNER-TRC
LABORATORY: Underwriters Laboratories
TYPE: Direct Vent Gas Fireplace
STANDARD: ANSI Z21.50•CGA2.22•UL307B

Installation Codes

The fireplace installation must conform to local codes. Before installing the fireplace, consult the local building code agency to ensure that you are in compliance with all applicable codes, including permits and inspections.

In the absence of local codes, the fireplace installation must conform to the National Fuel Gas Code ANSI Z223.1 (in the United States) or the CAN/CGA-B149 Installation Codes (in Canada). The appliance must be electrically grounded in accordance with local codes or, in the absence of local codes with the National Electric Code ANSI/NFPA No. 70 (in the United States), or to the CSA C22.1 Canadian Electric Code (in Canada).

These models may be installed in a bedroom or bed-sitting room in the U.S.A. and Canada.

High Altitude Installations

U.L. Listed gas appliances are tested and approved without requiring changes for elevations from 0 to 2,000 feet in the U. S. A. and in Canada.

When installing this appliance at an elevation above 2,000 feet, it may be necessary to decrease the input rating by changing the existing burner orifice to a smaller size. Input rate should be reduced by 4% for each 1000 feet above a 2000 foot elevation in the U.S.A. or 10% for elevations between 2000 and 4500 feet in Canada. If the heating value of the gas has been reduced, these rules do not apply. To identify the proper orifice size, check with the local gas utility.

If installing this appliance at an elevation above 4,500 feet (in Canada), check with local authorities.



Heat-N-Glo Quality
Systems registered
by SGS ICS

2

Getting Started

Introducing the Heat-N-Glo Gas Fireplaces

Heat-N-Glo direct vent gas fireplaces are designed to operate with all combustion air siphoned from outside of the building and all exhaust gases expelled to the outside.

The information contained in this *Installers Guide*, unless noted otherwise, applies to all models and gas control systems. Gas fireplace diagrams, including the dimensions, are shown in this section.

Pre-install Preparation

This gas fireplace and its components are tested and safe when installed in accordance with this *Installers Guide*. Report to your dealer any parts damaged in shipment, particularly the condition of the glass. **Do not install any unit with damaged, incomplete, or substitute parts.**

The vent system components are shipped in separate packages. The gas logs are packaged separately and must be field installed.

Read all of the instructions before starting the installation. Follow these instructions carefully during the installation to ensure maximum safety and benefit. Failure to follow these instructions will void the owner's warranty and may present a fire hazard.

The Heat-N-Glo Warranty will be voided by, and Heat-N-Glo disclaims any responsibility for, the following actions:

- Installation of any damaged fireplace or vent system component.
- Modification of the fireplace or direct vent system.
- Installation other than as instructed by Heat-N-Glo.
- Improper positioning of the gas logs or the glass door.
- Installation and/or use of any component part not manufactured and approved by Heat-N-Glo, notwithstanding any independent testing laboratory or other party approval of such component part or accessory.

ANY SUCH ACTION MAY POSSIBLY CAUSE A FIRE HAZARD.

When planning a fireplace installation, it's necessary to determine:

- Where the unit is to be installed.
- The vent system configuration to be used.
- Gas supply piping.
- Electrical wiring.
- Framing and finishing details.
- Whether optional accessories—devices such as a fan, wall switch, or remote control—are desired.

If the fireplace is to be installed on carpeting or tile, or on any combustible material other than wood flooring, the fireplace should be installed on a metal or wood panel that extends the full width and depth of the fireplace.

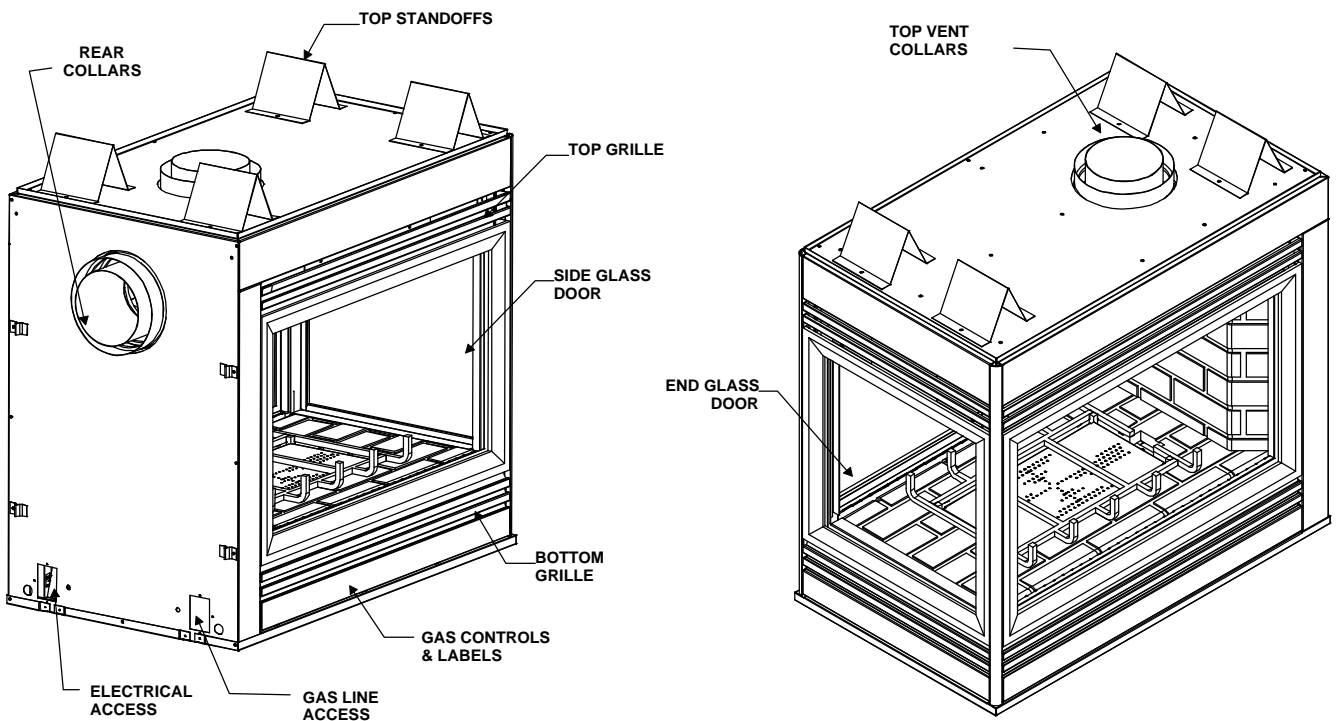
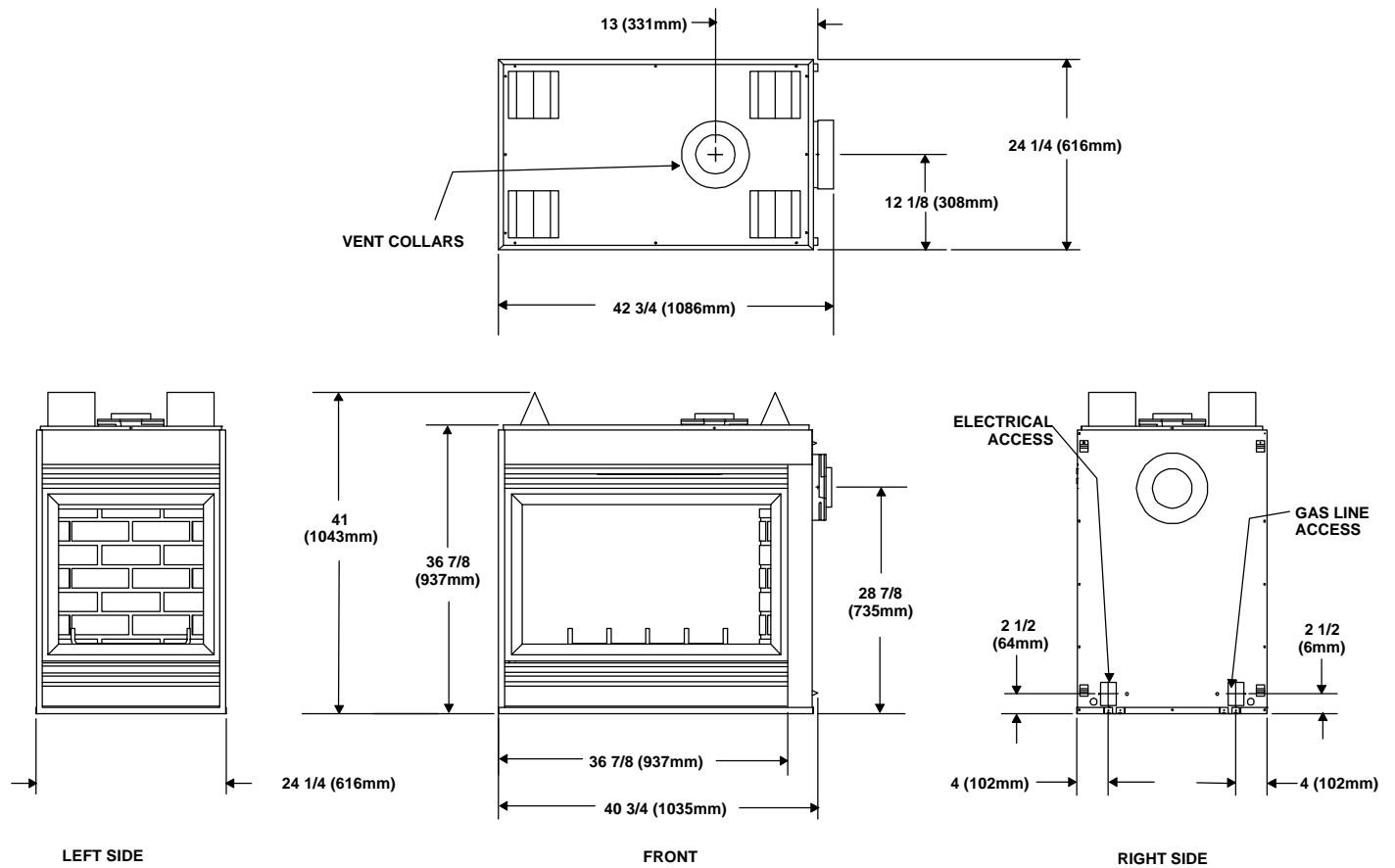


Figure 1. Diagram of the PIER-TRC

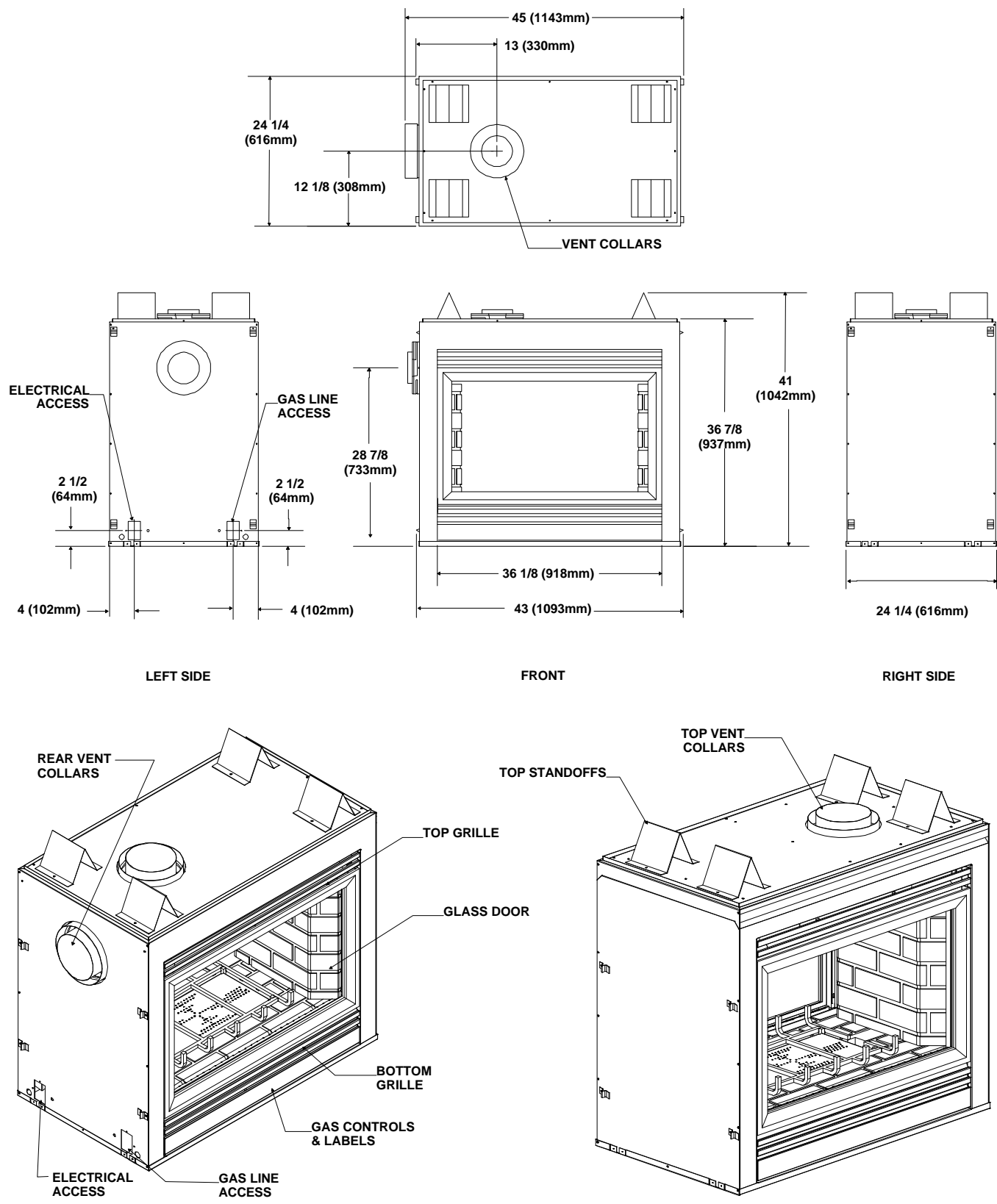


Figure 2. Diagram of the ST-TRC

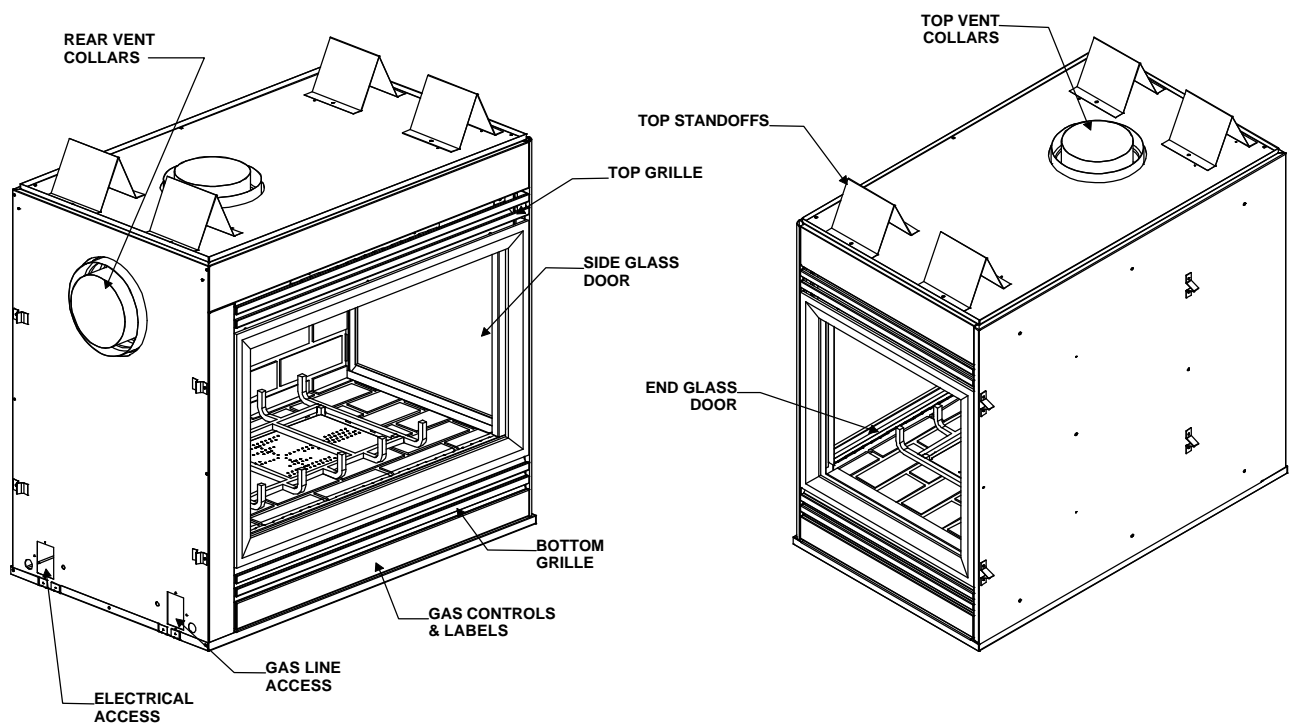
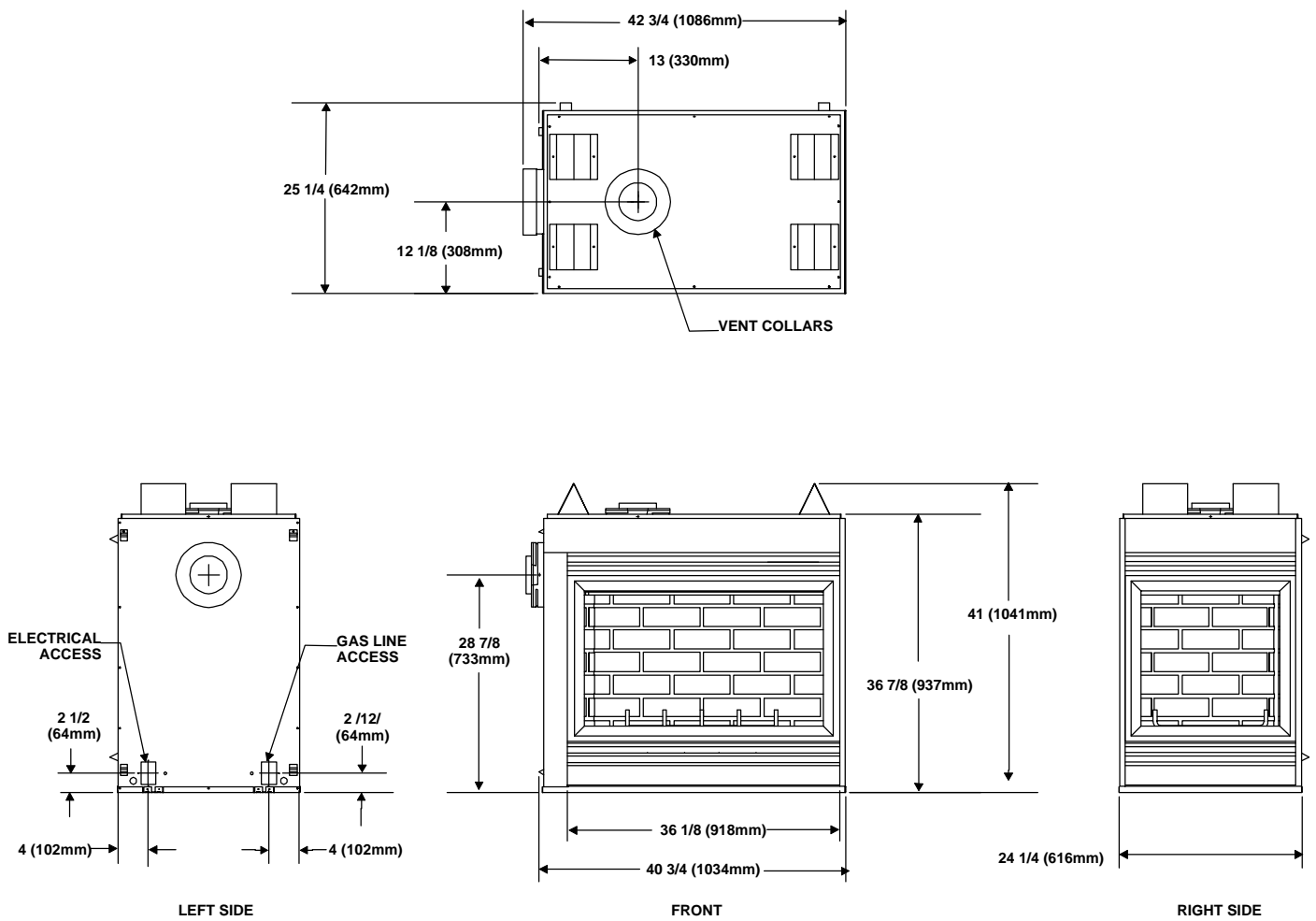


Figure 3. Diagram of the L & R CORNER-TRC

3

Installing the Fireplace

Step 1. Locating the Fireplace

The diagram below shows space and clearance requirements for locating a fireplace within a room.

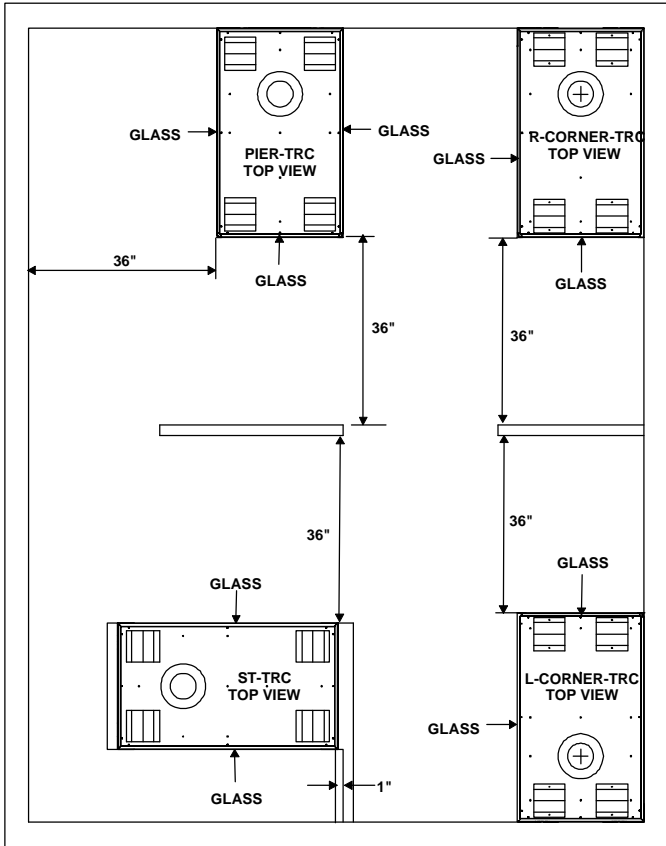


Figure 4. Fireplace Dimensions and Locations

Clearance Requirements

The top, back, and sides of the fireplace are defined by stand-offs. The minimum clearance to a perpendicular wall extending past the face of the fireplace is one inch (25 mm). The metal ends of the fireplace may **NOT** be recessed into combustible construction.

Minimum Clearances from the Fireplace to Combustible Materials

	<u>Inches</u>	<u>mm</u>
Glass Sides or Ends	36	914
Floor	0	0
Rear Vent	1	25
Metal Sides or Ends	1/2	13
Top	4 1/2	114
Ceiling*	31	787

* The clearance to the ceiling is measured from the top of the unit, excluding the standoffs (see Figure 35).

The distance from the unit to combustible construction is to be measured from the unit outer warp surface to the combustible construction, **NOT** from the screw heads that secure the unit together.

Minimum Clearances from the Vent Pipe to Combustible Materials

	<u>Inches</u>	<u>mm</u>
Vertical Sections	1	25
Horizontal Sections		
Top	3	75
Bottom	1	25
Sides	1	25
At Wall Firestops		
Top	2 1/2	63.7
Bottom	1/2	13
Sides	1	25

For minimum clearances, see the direct vent termination clearance diagrams on pages 27 and 28 in this manual.

Step 2. Framing the Fireplace

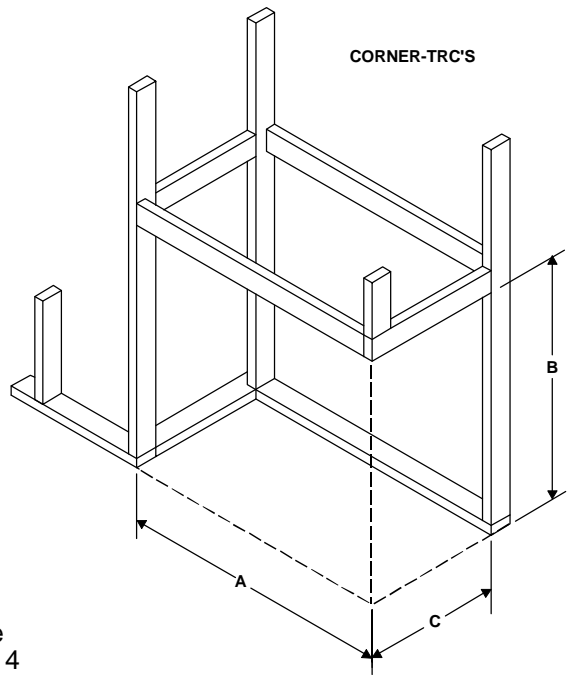
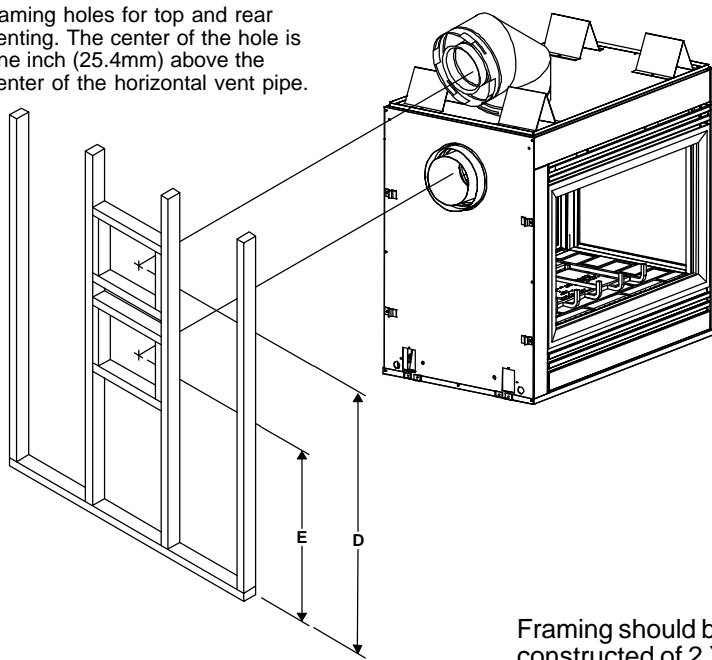
Fireplace framing can be built before or after the fireplace is set in place. Framing should be positioned to accommodate wall coverings and fireplace facing material. The diagram below shows framing reference dimensions.

CAUTION: MEASURE FIREPLACE DIMENSIONS AND VERIFY FRAMING METHODS AND WALL COVERING DETAILS BEFORE FRAMING.

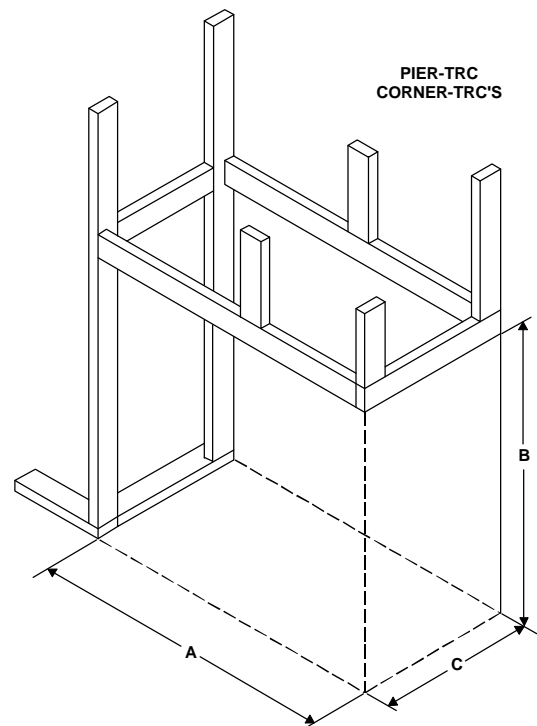
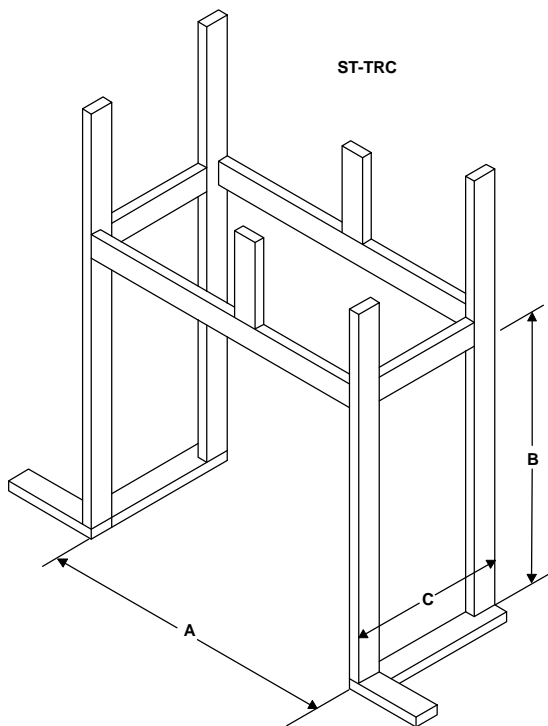


WARNING: FRAMING DIMENSIONS ASSUME USE OF 1/2 INCH THICK WALL COVERING MATERIALS ON EXTERIOR OF FRAMING ONLY AND NO SHEETROCK ON INTERIOR OF FRAMING.

Shows center of 12" x 12" vent framing holes for top and rear venting. The center of the hole is one inch (25.4mm) above the center of the horizontal vent pipe.



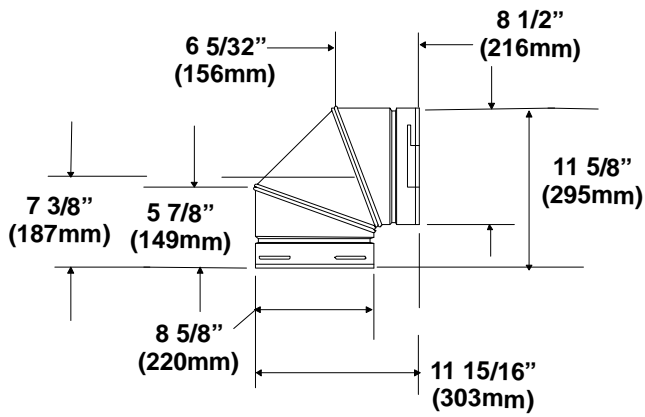
Framing should be constructed of 2 X 4 lumber or heavier.



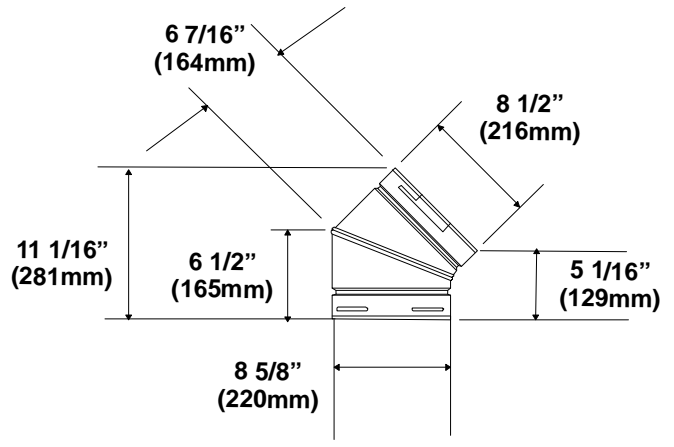
Model	A		B	C	D	E
	VENTED TOP	VENTED REAR				
PIER-TRC	43 1/4	40 1/4	41 1/2	23 1/4	45	29 7/8
ST-TRC	47	46	41 1/2	23 1/4	45	29 7/8
CORNER-TRC'S	43 1/4	40 1/4	41 1/2	24 3/4	45	29 7/8

NOTE: DIMENSIONS SHOWN IN INCHES

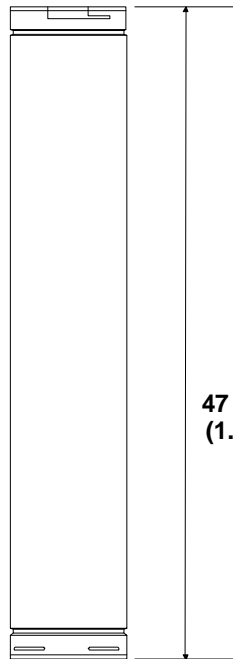
Figure 5. Framing Dimensions



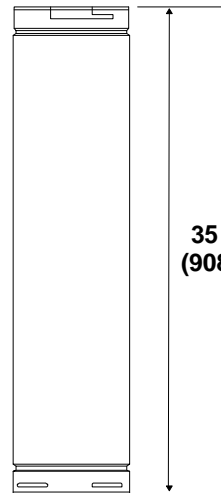
DV-90D



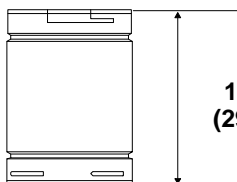
DV-45D



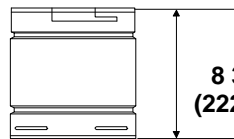
DV-48D



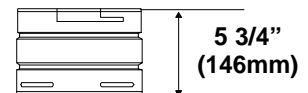
DV-36D



DV-12D



DV-09D



DV-06D

NOTE: PIPES OVERLAP 1-3/8 INCHES (34.93mm) AT EACH JOINT.

Figure 6. D-Series Direct Vent Component Specifications (5-inch inner pipe / 8 5/8-inch outer pipe)

Step 3. Installing the Vent System

A. Vent System Approvals

These models are approved to use D-series direct vent pipe components and terminations (see Figures 6 and 7). Approved vent system components are labeled for identification. This pipe is tested and listed as an approved component of the fireplace. The pipe is tested to be run inside an enclosed wall. There is no requirement for inspection openings at each joint within the wall. There is no required pitch for horizontal vent runs. **NO OTHER VENTING SYSTEMS OR COMPONENTS MAY BE USED.**

Detailed installation instructions are included with each vent termination kit and should be used in conjunction with this *Installers Guide*.

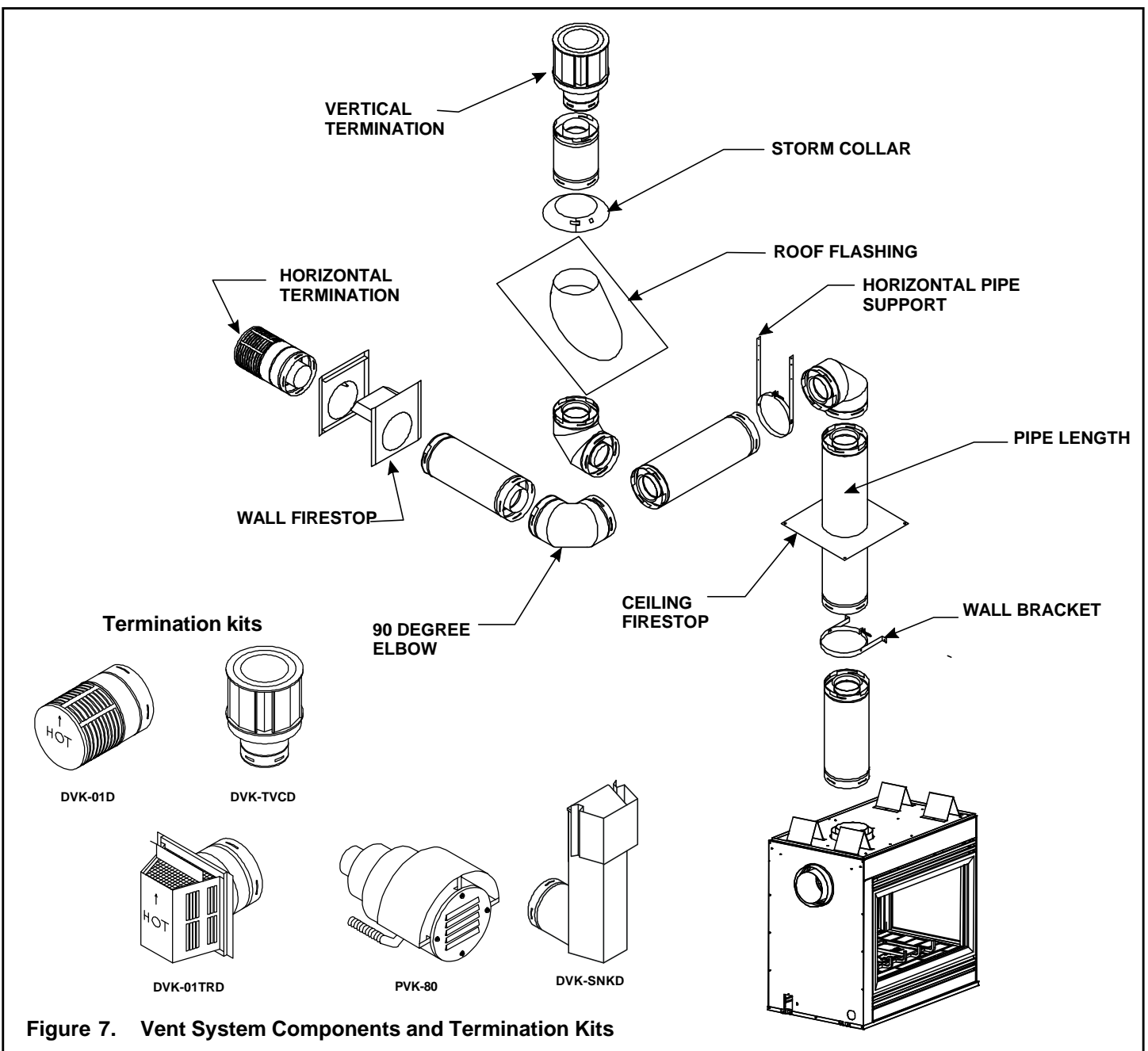
The flame and ember appearance may vary based on the type of fuel burned and the venting configuration used.

Identifying Vent Components

The vent systems installed on this gas fireplace may include one, two, or three 90° elbow assemblies. The relationships of vertical rise to horizontal run in vent configurations using 90° elbows **MUST BE** strictly adhered to. The rise to run relationships are shown in the venting drawings and tables. Refer to the diagrams on the next several pages.

NOTE: Two 45° elbows may be used in place of one 90° elbow. Rise to run ratios in the vent system must be followed if 45° elbows are used.

This model has vent starting collars on both the top and the back of the unit. Depending upon the installation, decide which **ONE** set of starting collars will be used to attach the vent system. The starting collar sealing cap must remain on the starting collars **NOT** used.



◆ **Figure 7. Vent System Components and Termination Kits**

VENTING WITH ONE (1) 90° ELBOW

V	H
1' MIN. (305mm)	2' MAX. (610mm)
2' MIN. (610mm)	4' MAX. (1.22m)
3' MIN. (914mm)	6' MAX. (1.86m)
4' MIN. (1.22m)	8' MAX. (2.4m)

V+H=37' MAX. (11.3m)
H = 8' MAX. (2.4m)

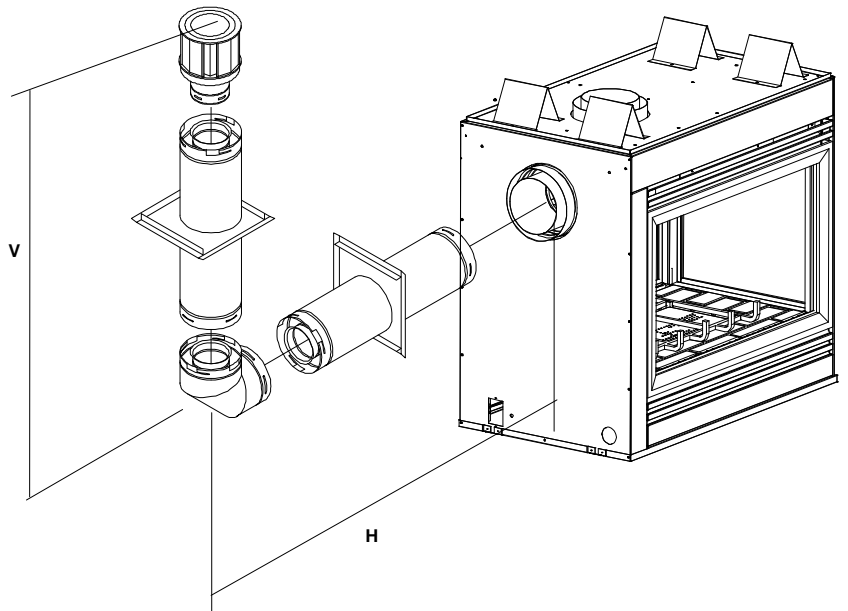


Figure 10. Venting with One 90° Elbow

VENTING WITH ONE (1) 90° ELBOW

V (FT.)	H (FT.)
1' MIN. (305mm)	3' MAX. (914mm)
2' MIN. (610mm)	6' MAX. (1.86m)
3' MIN. (914mm)	9' MAX. (2.7m)
4' MIN. (1.22m)	12' MAX. (3.6m)
5' MIN. (1.5m)	15' MAX. (4.5m)
6' MIN. (1.86m)	17' MAX. (5.1m)
V + H = 37' MAX. (11.3m)	

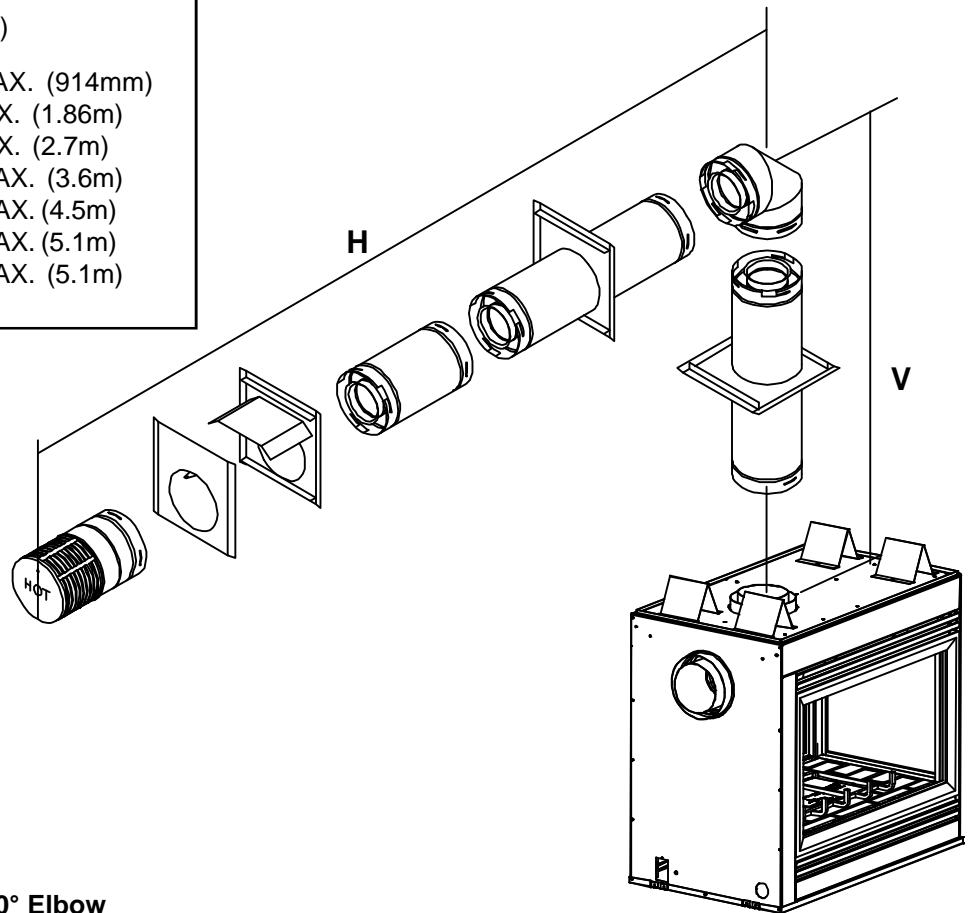
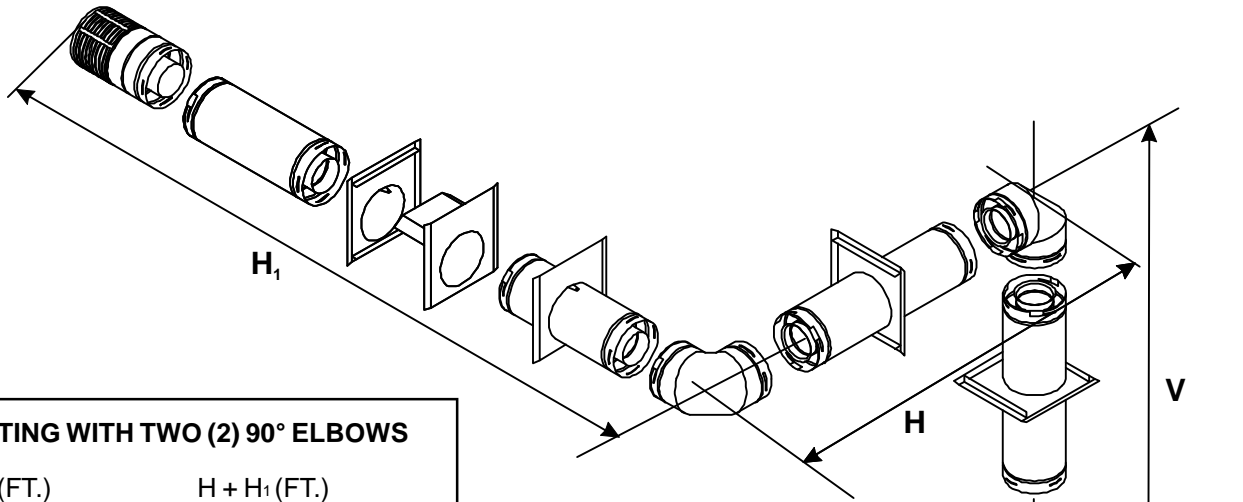
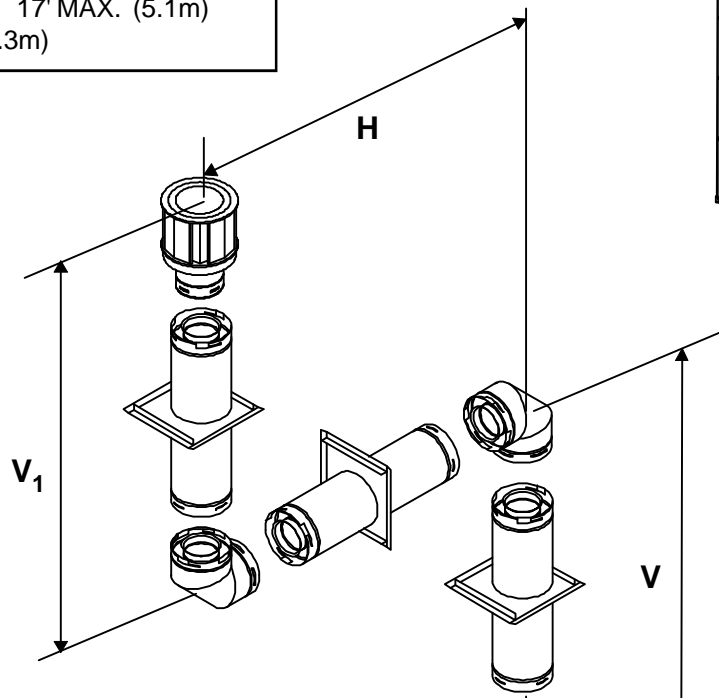


Figure 11. Venting with One 90° Elbow



VENTING WITH TWO (2) 90° ELBOWS

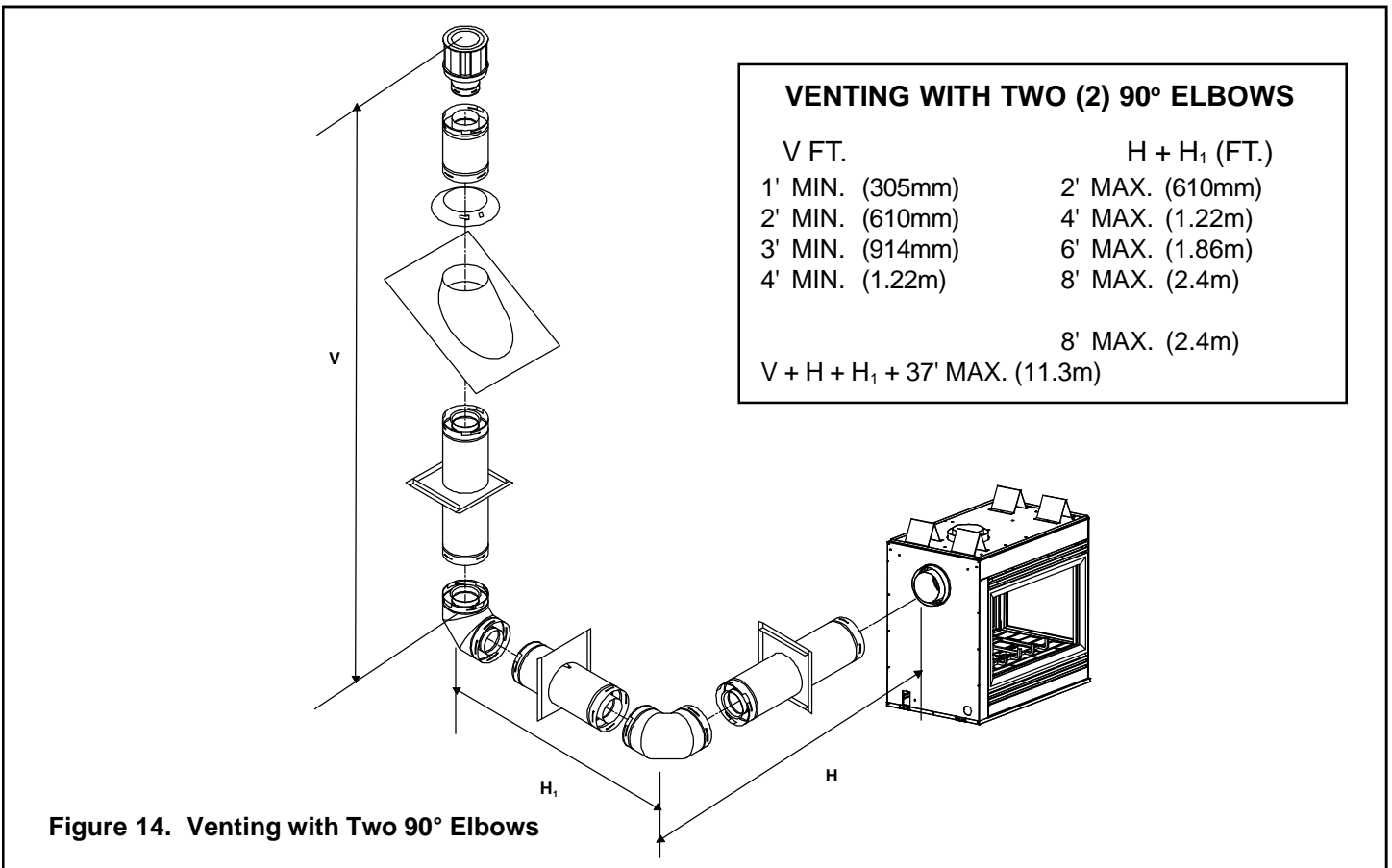
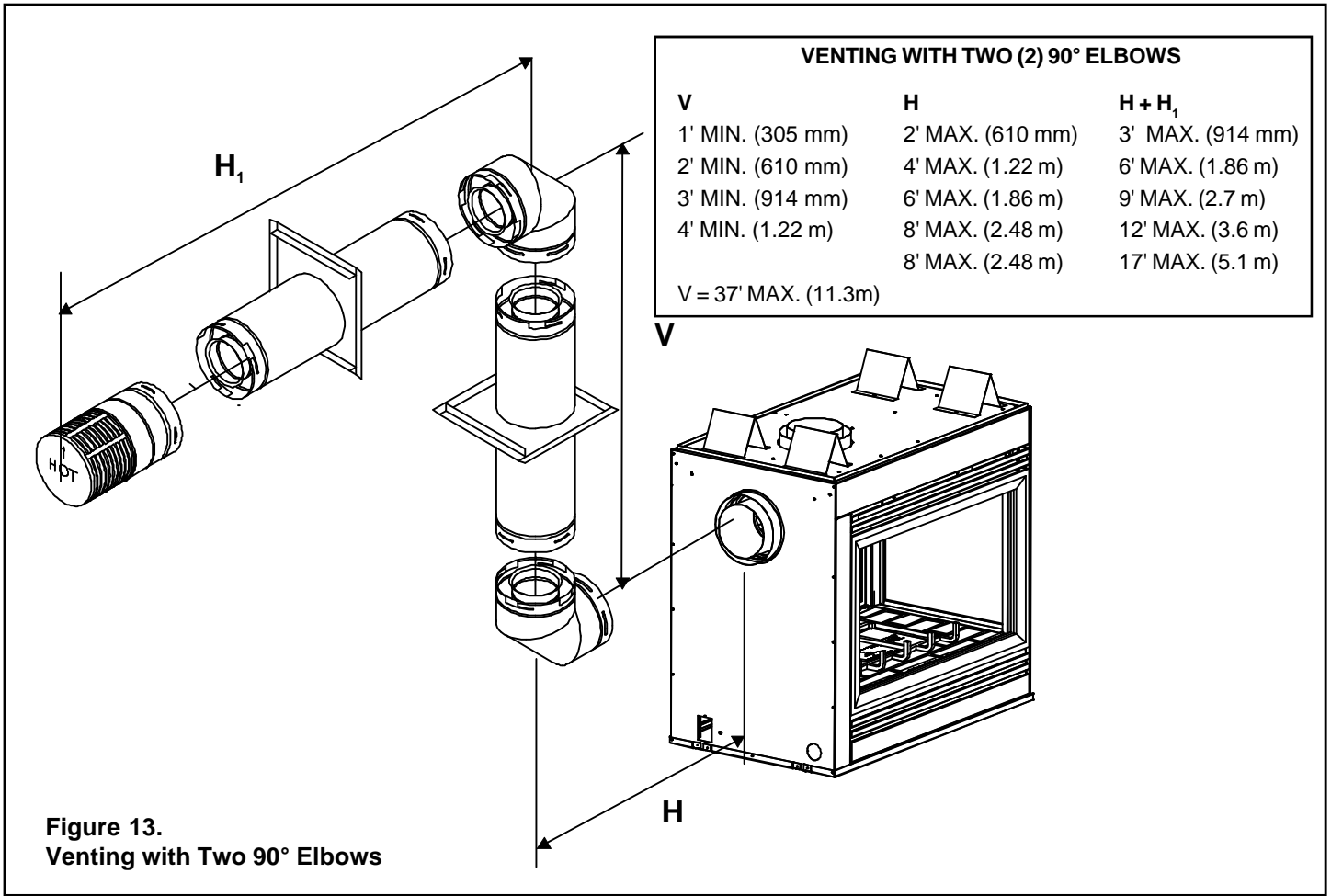
V (FT.)	H + H ₁ (FT.)
1' MIN. (305mm)	3' MAX. (914mm)
2' MIN. (610mm)	6' MAX. (1.86m)
3' MIN. (914mm)	9' MAX. (2.7m)
4' MIN. (1.22m)	12' MAX. (3.6m)
5' MIN. (1.5m)	15' MAX. (4.5m)
6' MIN. (1.86m)	17' MAX. (5.1m)
V + H = 37' MAX. (11.3m)	



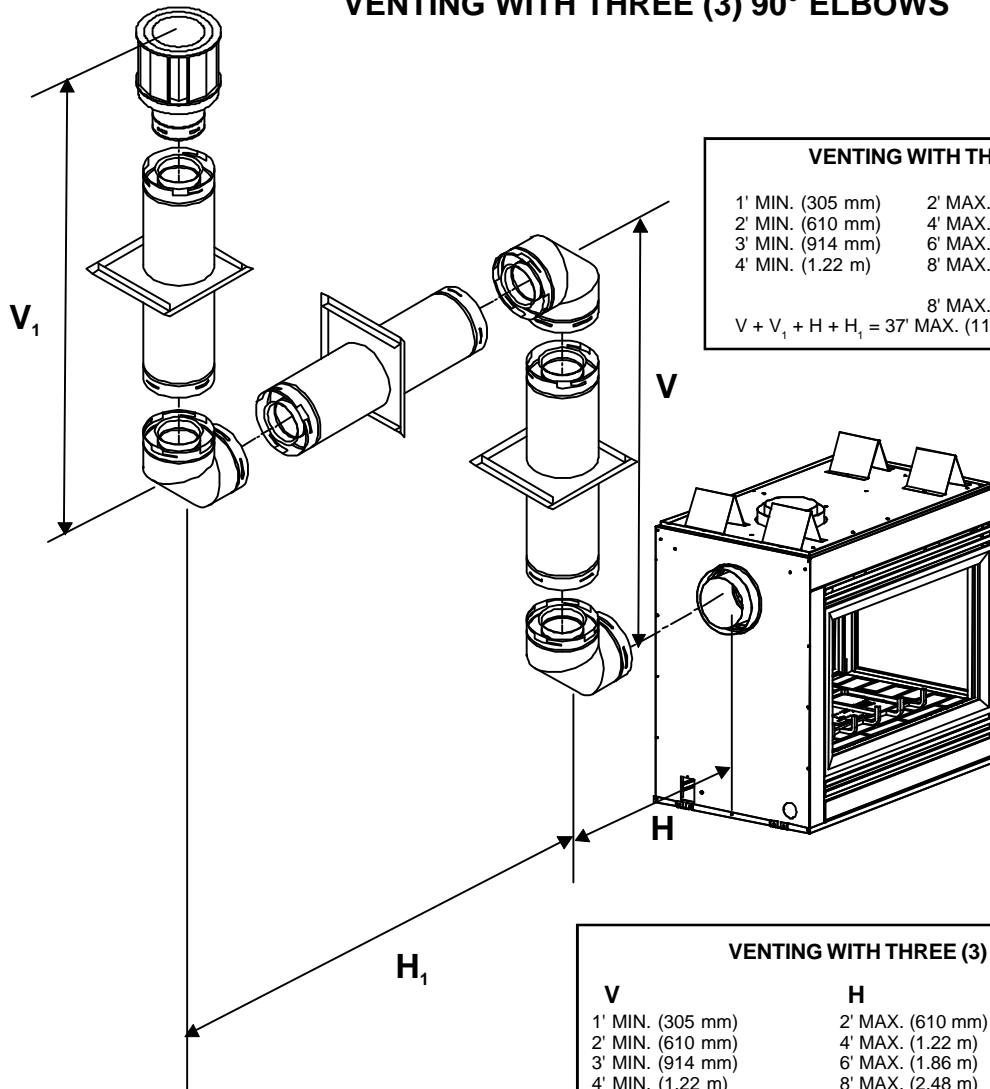
VENTING WITH TWO (2) 90° ELBOWS

V (FT.)	H (FT.)
1' MIN. (305mm)	3' MAX. (914m)
2' MIN. (610mm)	6' MAX. (1.86m)
3' MIN. (914mm)	9' MAX. (2.7m)
4' MIN. (1.22m)	12' MAX. (3.6m)
	17' MAX. (5.1m)
NOTE: V + V ₁ + H = 37' MAX. (11.3m)	

Figure 12. Venting with Two 90° Elbows



VENTING WITH THREE (3) 90° ELBOWS



VENTING WITH THREE (3) 90° ELBOWS		
1' MIN. (305 mm)	2' MAX. (610 mm)	3' MAX. (914mm)
2' MIN. (610 mm)	4' MAX. (1.22 m)	6' MAX. (1.86 m)
3' MIN. (914 mm)	6' MAX. (1.86 m)	9' MAX. (2.7 m)
4' MIN. (1.22 m)	8' MAX. (2.48 m)	12' MAX. (3.6 m)
	8' MAX. (2.48 m)	17' MAX. (5.1 m)
$V + V_1 + H + H_1 = 37'$ MAX. (11.3m)		

VENTING WITH THREE (3) 90° ELBOWS		
V	H	$H + H_1 + H_2$
1' MIN. (305 mm)	2' MAX. (610 mm)	3' MAX. (914 mm)
2' MIN. (610 mm)	4' MAX. (1.22 m)	6' MAX. (1.86 m)
3' MIN. (914 mm)	6' MAX. (1.86 m)	9' MAX. (2.7 m)
4' MIN. (1.22 m)	8' MAX. (2.48 m)	15' MAX. (4.5 m)
	8' MAX. (2.48 m)	17' MAX. (5.1 m)
$V + H + H_1 + H_2 = 37'$ MAX. (11.3m)		

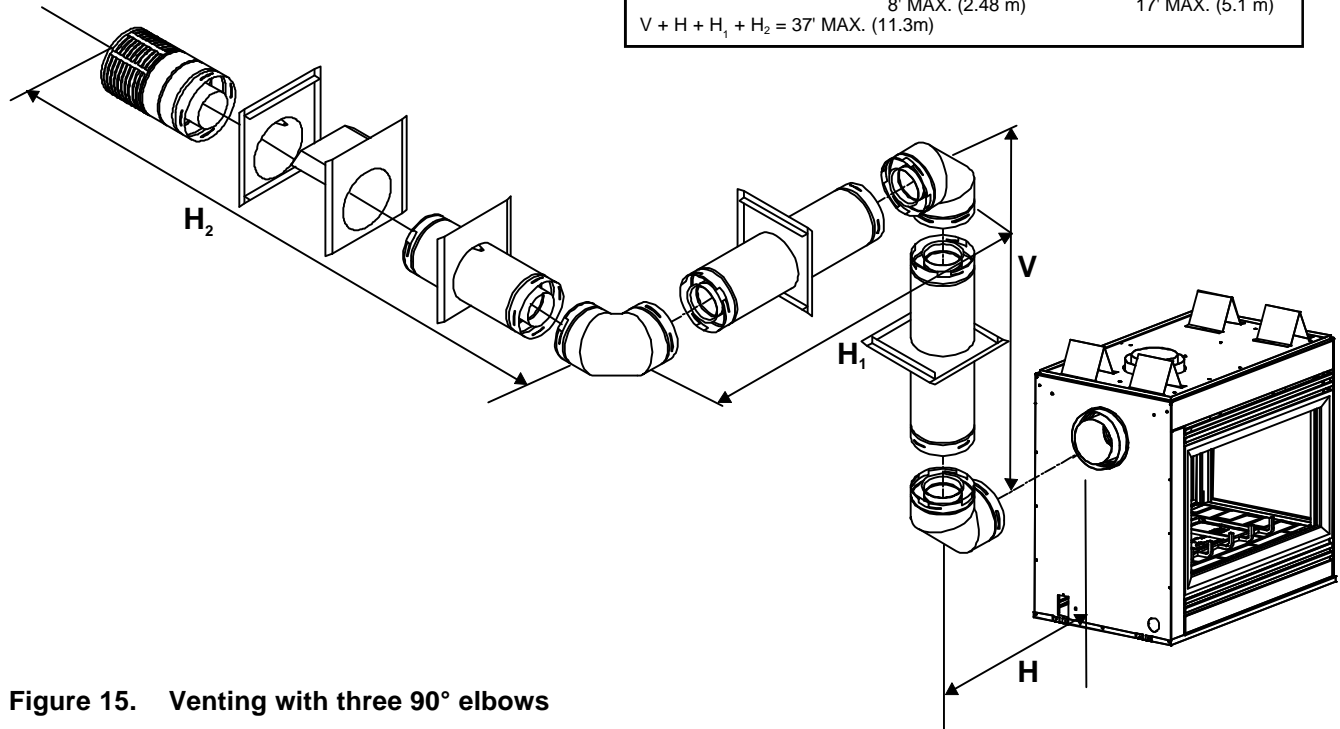
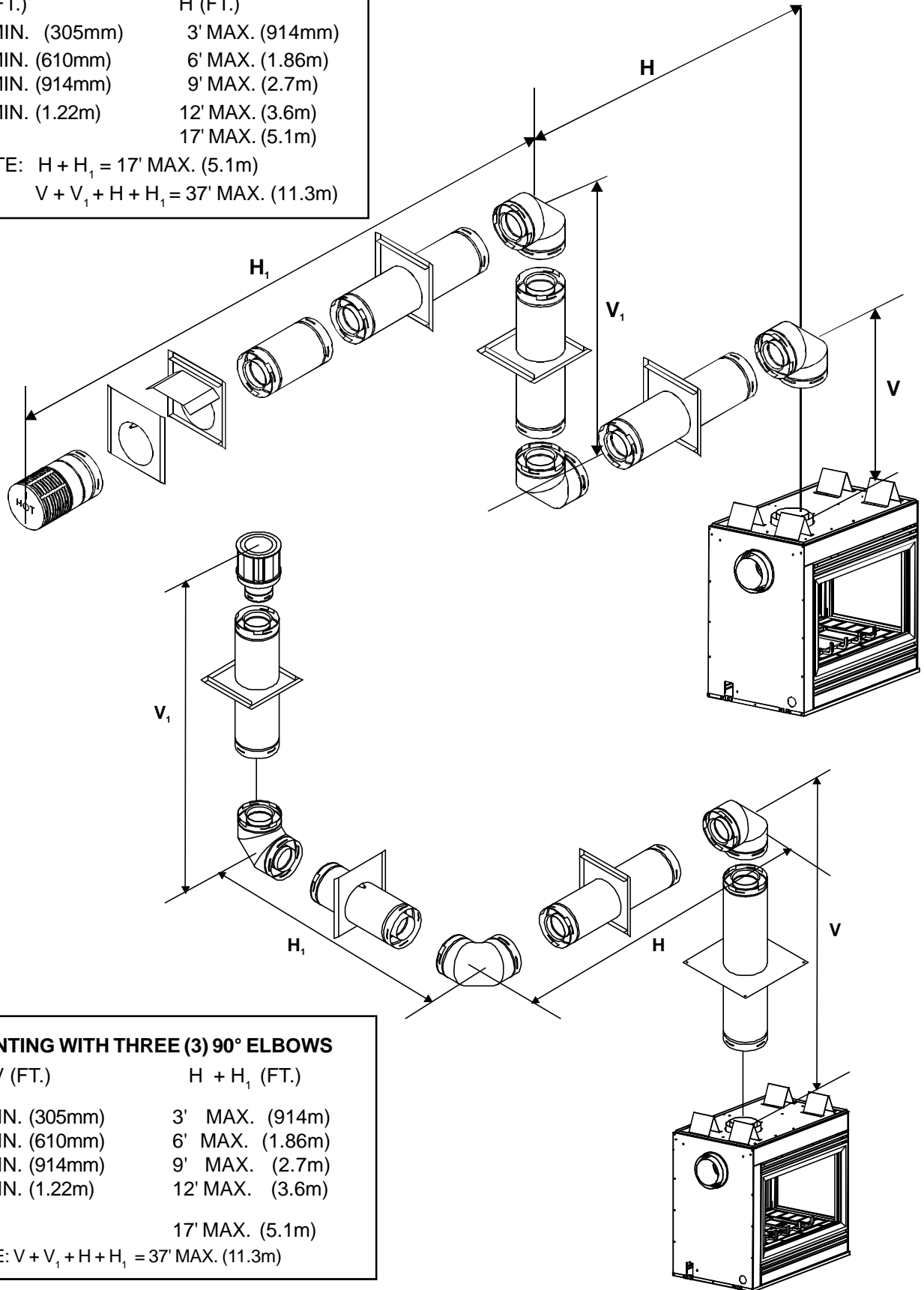


Figure 15. Venting with three 90° elbows

VENTING WITH THREE (3) 90° ELBOWS

V (FT.)	H (FT.)
1' MIN. (305mm)	3' MAX. (914mm)
2' MIN. (610mm)	6' MAX. (1.86m)
3' MIN. (914mm)	9' MAX. (2.7m)
4' MIN. (1.22m)	12' MAX. (3.6m)
	17' MAX. (5.1m)

NOTE: $H + H_1 = 17'$ MAX. (5.1m)
 $V + V_1 + H + H_1 = 37'$ MAX. (11.3m)



VENTING WITH THREE (3) 90° ELBOWS

V (FT.)	H + H ₁ (FT.)
1' MIN. (305mm)	3' MAX. (914m)
2' MIN. (610mm)	6' MAX. (1.86m)
3' MIN. (914mm)	9' MAX. (2.7m)
4' MIN. (1.22m)	12' MAX. (3.6m)
	17' MAX. (5.1m)

NOTE: $V + V_1 + H + H_1 = 37'$ MAX. (11.3m)

Figure 16. Venting with three 90° elbows

B. Installing Vent Components

After determining which set of starting collars will be used (top or rear), follow venting instructions accordingly.

Venting Out the Rear Vent

Remove the installed rear seal cap from the rear starting collars by removing screws (see Figure 17). Follow the vent configuration tables accordingly.

Remove the insulation from the **REAR** five inch flue, pull the heat shield out from outside of the firebox.



WARNING: THE TOP HEAT SHIELD (INSIDE THE FIREBOX) MUST REMAIN ATTACHED IF THE VENT SYSTEM IS ATTACHED TO THE REAR STARTING COLLARS. SEE FIGURE 17.

Venting Out the Top Vent

Remove the screws in the top vent collar seal cap and remove the top vent collar seal cap and insulation inside the top starting collar (See Figure 17).

Remove the heat shield from inside the **TOP** five inch flue from outside of the firebox.

The glass must be taken off again for positioning the logs when the unit is finally installed in place and finished around it. Re-install the glass door. Attach vent system to the top starting collars.



WARNING: THE REAR VENT COLLAR SEAL CAP MUST REMAIN ATTACHED TO THE REAR VENT COLLARS IF THE VENT SYSTEM IS ATTACHED TO THE TOP STARTING COLLARS.



WARNING: FAILURE TO REMOVE INSULATION IN THE SET OF COLLARS YOU ARE USING COULD CAUSE A FIRE.



WARNING: YOU MUST LEAVE THE INSULATION IN PLACE IN THE SET OF COLLARS YOU ARE NOT USING.

If your vertical vent component is over 10 feet, you may want to install the vertical baffle (located in the bag containing the install manual) to improve flame appearance. Center the vertical baffle on the 5" flue being used, and with self tapping screws secure the baffle to the inside of the firebox.

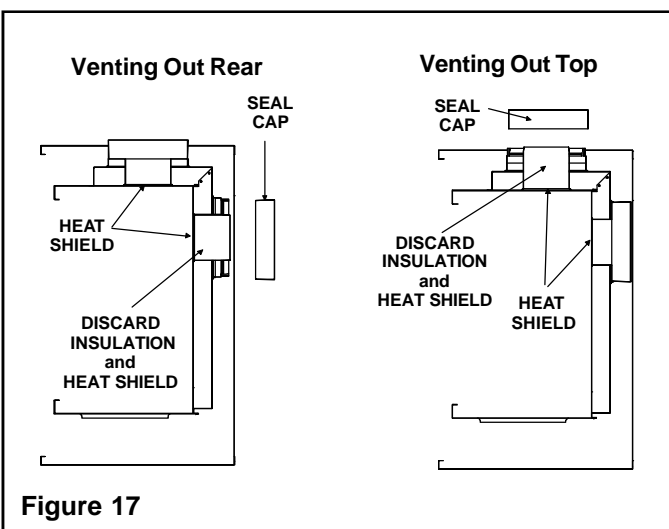


Figure 17

1. Attach the First Vent Component to the Starting Collars

To attach the first vent component to the starting collars of the fireplace:

- Apply a 3/8 inch (9.5mm) bead of stove cement around the 5 inch (127mm) fireplace starting collar.
- Make sure that the fireplace rope gasket supplied with the fireplace seals between the first 8-5/8 inch (219mm) vent component and the outer fireplace wrap.
- Lock the vent components into place by sliding the concentric pipe sections with four (4) equally spaced interior beads into the fireplace collar or previously installed component end with four (4) equally spaced indented sections.
- When the internal beads of each 8-5/8 inch (219mm) outer pipe line up, rotate the pipe section clockwise about one-quarter (1/4) turn. The vent pipe is now locked together.

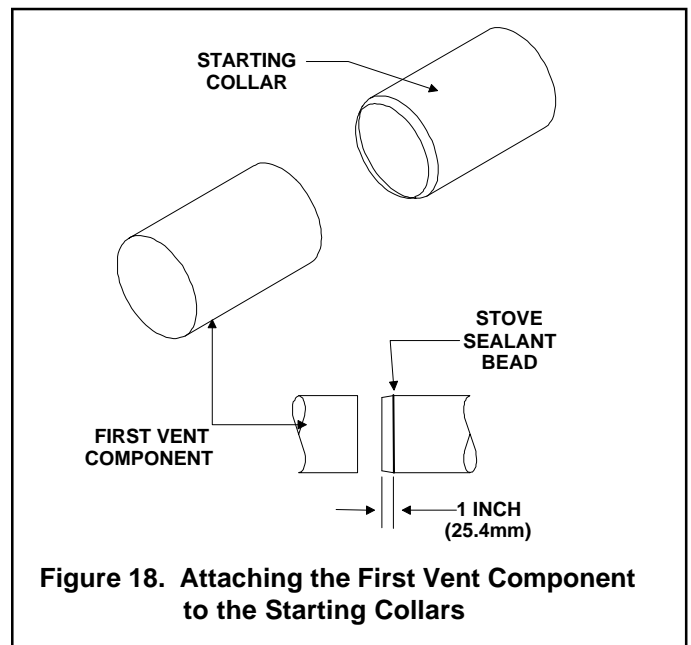


Figure 18. Attaching the First Vent Component to the Starting Collars



WARNING: A 3/8 INCH (9.5 MM) BEAD OF STOVE CEMENT MUST BE PLACED AROUND THE 5 INCH (127 MM) FIREPLACE STARTING COLLAR BEFORE ATTACHING THE FIRST VENT COMPONENT. FAILURE TO SEAL THIS JOINT MAY CAUSE THE FIREPLACE TO OPERATE IMPROPERLY. SEE THE DIAGRAM .



WARNING: ENSURE THAT THE FIBER-GLASS ROPE GASKET SUPPLIED WITH THE FIREPLACE SEALS BETWEEN THE FIRST VENT COMPONENT AND THE OUTER FIREPLACE WRAP.

If the installation is for a termination cap attached directly to the fireplace, skip to the sections, **Install Firestops and Vent Termination.**

2. Continue Adding Vent Components

- Continue adding vent components, locking each succeeding component into place.
- Ensure that each succeeding vent component is securely fitted and locked into the preceding component in the vent system.
- 90° elbows may be installed and rotated to any point around the preceding component's vertical axis. If an elbow does not end up in a locked position with the preceding component, attach with a minimum of two (2) sheet metal screws.

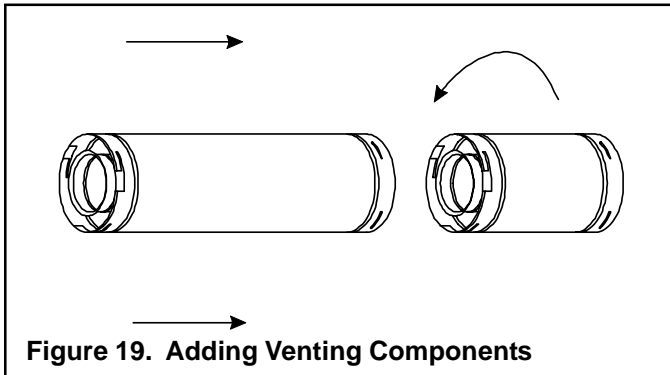


Figure 19. Adding Venting Components

3. Install Support Brackets

For Horizontal Runs - The vent system must be supported every five (5) feet of horizontal run by a horizontal pipe support.

To install support brackets for horizontal runs:

- Place the pipe supports around the vent pipe.
- Nail the pipe supports to the framing members.

For Vertical Runs - The vent system must be supported every eight (8) feet (2.4m) above the fireplace flue outlet by wall brackets.

To install support brackets for vertical runs:

- Attach wall brackets to the vent pipe and secure the wall bracket to the framing members with nails or screws.

4. Install Firestops

For Horizontal Runs - Firestops are **REQUIRED** on both sides of a combustible wall through which the vent passes.

NOTE: Model DVK-01TRD does not need an exterior firestop on an exterior combustible wall. The firestop is built into the cap.

To install firestops for horizontal runs that pass through either interior or exterior walls:

- Cut a 12" x 12" (305mm X 305mm) hole through the wall.

NOTE: The center of the hole is one (1) inch (25.4mm) above the center of the horizontal vent pipe.

- Position the firestops on both sides of the hole previously cut and secure the firestops with nails or screws.
- The heat shields of the firestops **MUST BE** placed towards the top of the hole.
- Continue the vent run through the firestops.

NOTE: There must be NO INSULATION or other combustibles inside the framed firestop opening.

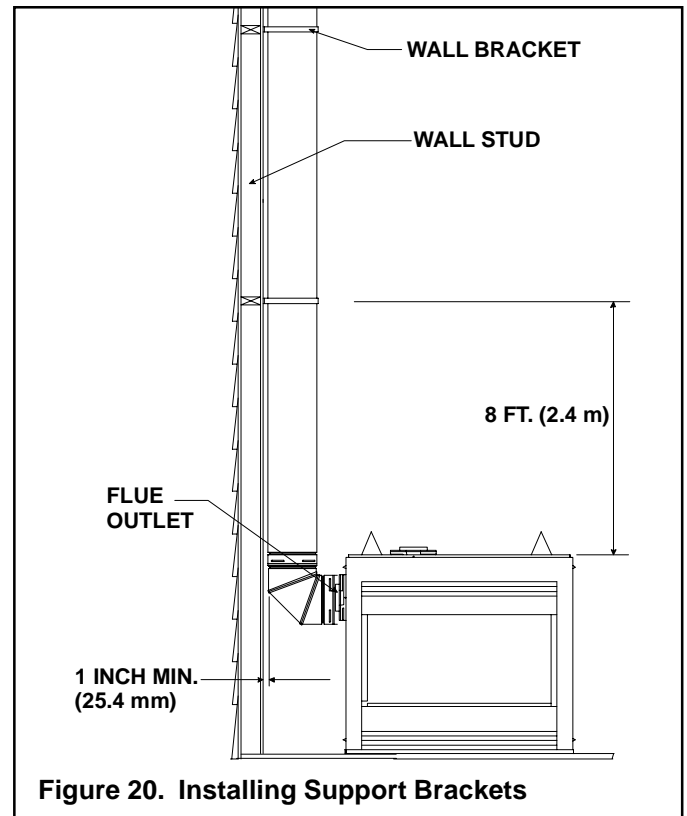


Figure 20. Installing Support Brackets

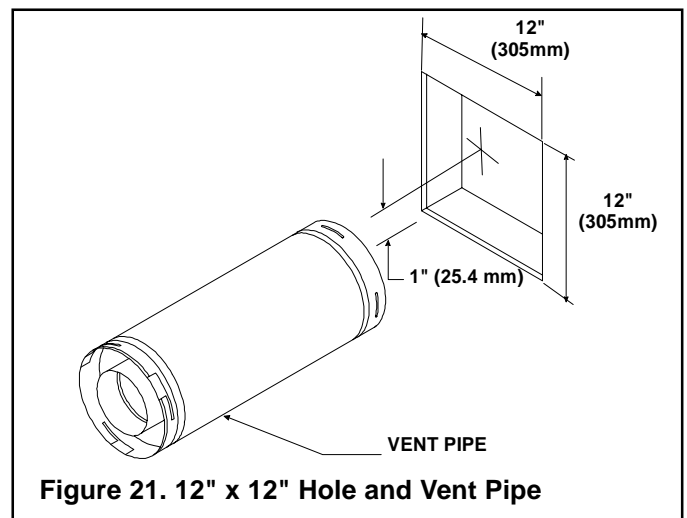


Figure 21. 12" x 12" Hole and Vent Pipe

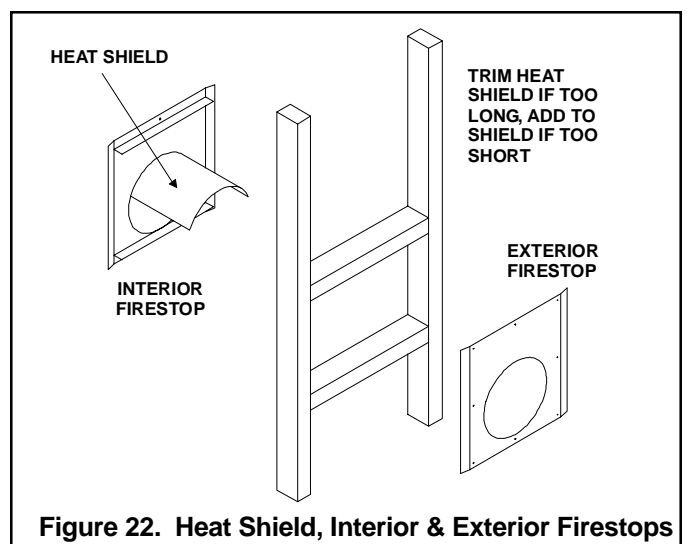


Figure 22. Heat Shield, Interior & Exterior Firestops

For Vertical Runs - One ceiling firestop is **REQUIRED** at the hole in each ceiling through which the vent passes.

To install firestops for vertical runs that pass through ceilings:

- Position a plumb bob directly over the center of the vertical vent component.
- Mark the ceiling to establish the centerpoint of the vent.
- Drill a hole or drive a nail through this centerpoint.
- Check the floor above for any obstructions, such as wiring or plumbing runs.
- Reposition the fireplace and vent system, if necessary, to accommodate the ceiling joists and/or obstructions.
- Cut an 11-inch X 11-inch (280mm X 280mm) hole through the ceiling, using the centerpoint previously marked.
- Frame the hole with framing lumber the same size as the ceiling joists.

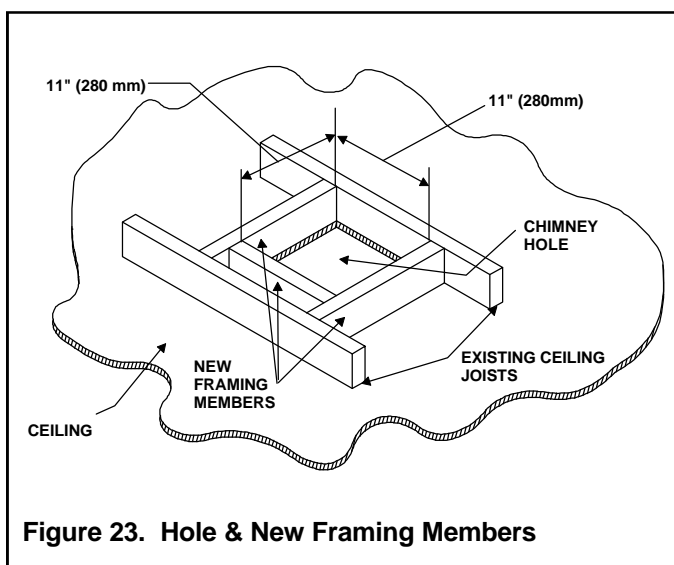


Figure 23. Hole & New Framing Members

If the area above the ceiling is **NOT** an attic, position and secure the ceiling firestop on the ceiling side of the previously cut and framed hole.

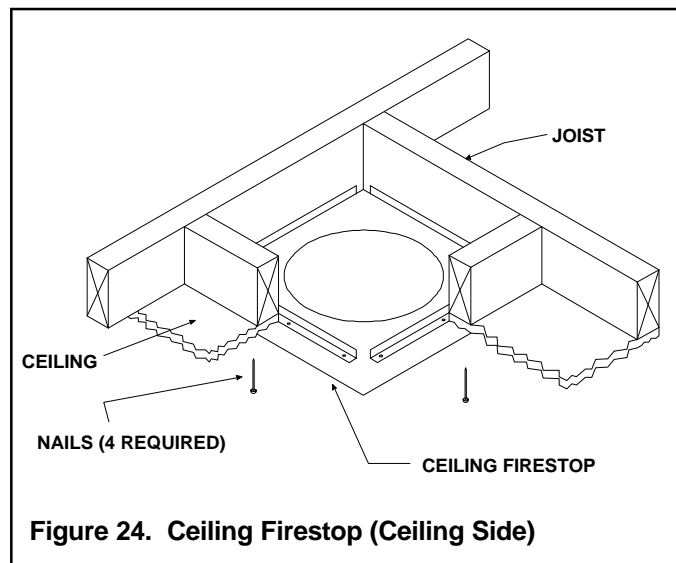


Figure 24. Ceiling Firestop (Ceiling Side)

If the area above the ceiling **IS** an attic, position and secure the firestop on top of the previously framed hole.

NOTE: Keep insulation away from the vent pipe at least 1 inch (25mm).

NOTE: There must be NO INSULATION or other combustibles inside the framed firestop opening.

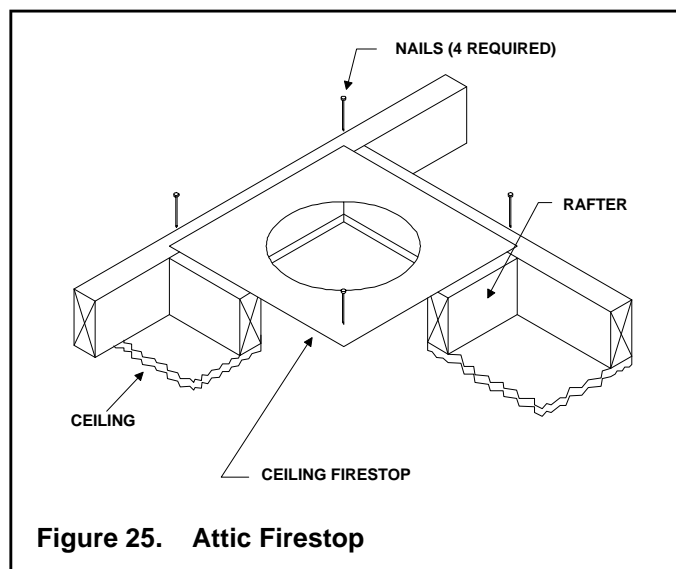


Figure 25. Attic Firestop

C. Vent Termination

For Horizontal Terminations - To attach and secure the termination to the last section of horizontal vent:

- Rotate and interlock the ends as described at the beginning of the Installing Vent Components section.
- The termination kit should pass through the wall firestops from the exterior of the building.
- Adjust the termination cap to its final exterior position on the building.



WARNING: THE TERMINATION CAP MUST BE POSITIONED SO THAT THE ARROW IS POINTING UP.

For roundcap termination kits:

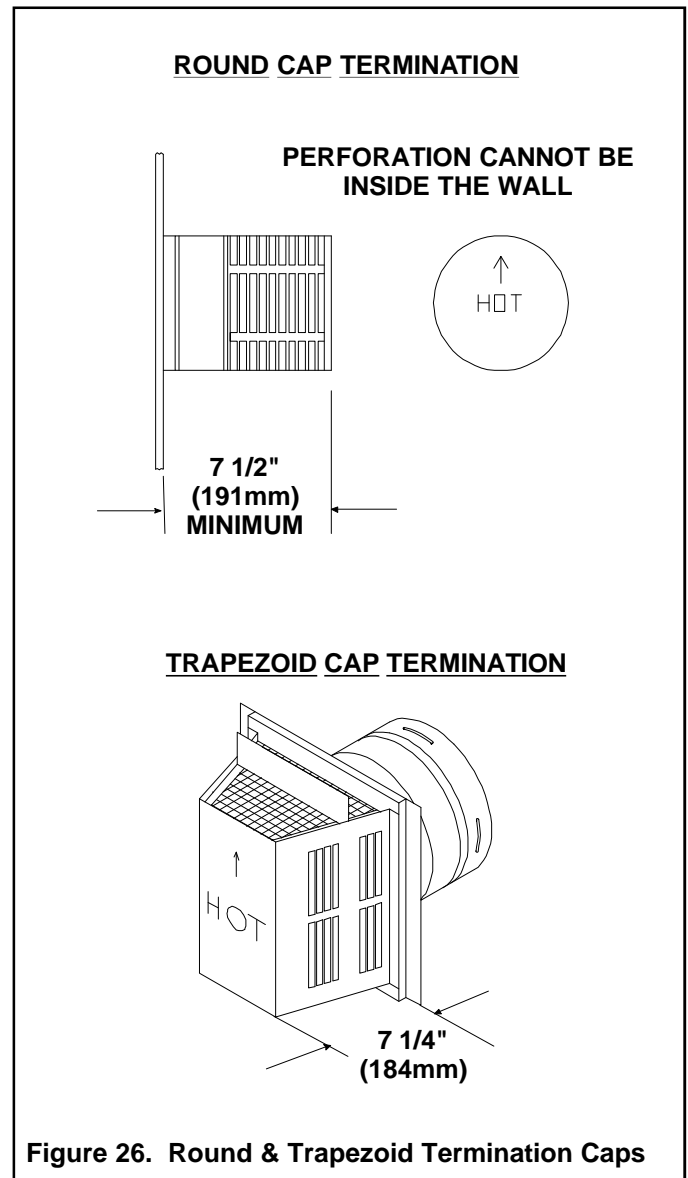
- Use the exterior pipelock hole on the round flange of the wall firestop to secure the vent pipe in place.

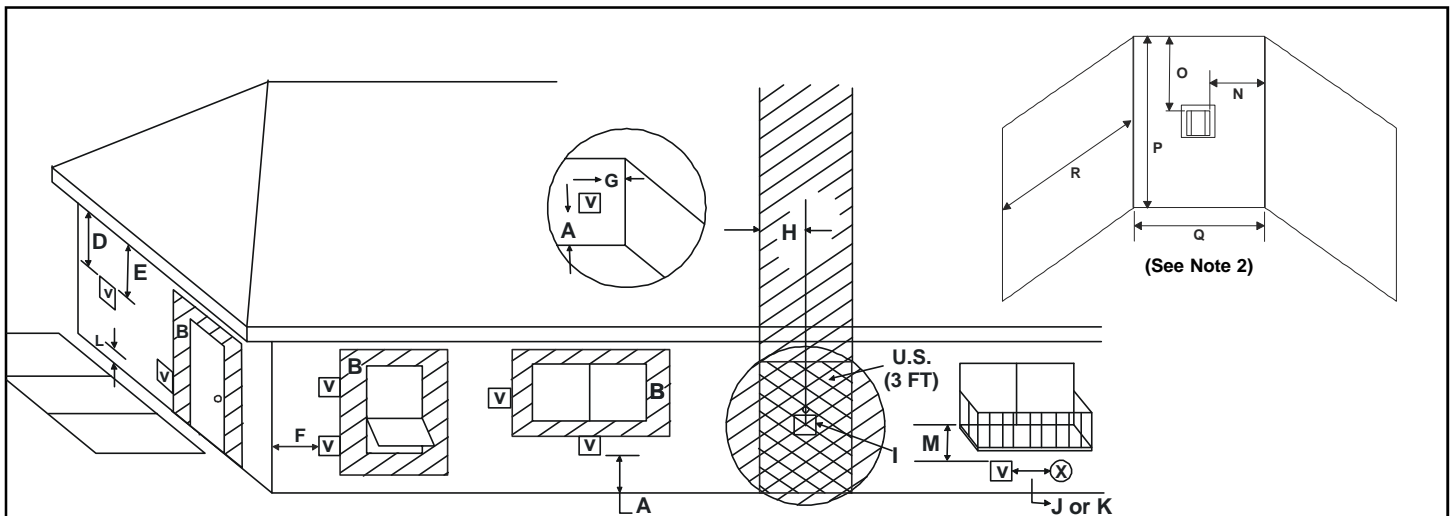
For trapezoidal cap termination kits:

- Using screws secure the cap to the exterior wall through the flanges in the cap.



WARNING: THE BOTTOM OF THE VENT TERMINATION CAP MUST BE A MINIMUM OF 12 INCHES (305 MM) ABOVE GROUND LEVEL (GRADE). THE TOP OF THE CAP MUST BE A MINIMUM OF 24 INCHES (690MM) BELOW COMBUSTIBLE MATERIAL, SUCH AS A DECK. THE SIDE OF THE CAP MUST BE A MINIMUM OF 6 INCHES (152 MM) AWAY FROM A PARALLEL OUTSIDE WALL. VENTING TERMINALS SHALL NOT BE RECESSED INTO A WALL OR SIDING. SEE THE VENT TERMINATION DIAGRAM FOR VENT TERMINATION CLEARANCES.





V = VENT TERMINAL

X = AIR SUPPLY INLET

▨ = AREA WHERE TERMINAL IS NOT PERMITTED

- A = 12" clearances above grade, veranda, porch, deck or balcony
(See Note 1)
- B = 12" clearances to window or door that may be opened, or to permanently closed window.
- D* = 18" vertical clearance to ventilated soffit located above the terminal within a horizontal distance of 2 feet (60 cm) from the center-line of the terminal
- E* = 18" clearance to unventilated soffit
- F = 9" clearance to outside corner
- G = 6" clearance to inside corner
- H = 3 ft. (Canada) not to be installed above a gas meter/regulator assembly within 3 feet (90cm) horizontally from the center-line of the regulator
- I = 3 ft. (U.S.A.)
6 ft. (Canada) clearance to service regulator vent outlet and electric service

- J = 9" (U.S.A.)
12" (Canada) clearance to non-mechanical air supply inlet to building or the combustion air inlet to any other appliance
- K = 3 ft. (U.S.A.)
6 ft. (Canada) clearance to a mechanical air supply inlet
- L** = 7 ft. clearance above paved sidewalk or a paved driveway located on **public** property
(See Note 1)
- M*** = 18" clearance under veranda, porch, deck or balcony
- N = 6" non-vinyl siding
12" vinyl siding
- O = 18" non-vinyl soffit and overhang
60" vinyl soffit and overhang
- P = 8 ft.

	Q_{MIN}	R_{MAX}
1 cap	3 feet	2 x Q _{ACTUAL}
2 caps	6 feet	1 x Q _{ACTUAL}
3 caps	9 feet	2/3 x Q _{ACTUAL}
4 caps	12 feet	1/2 x Q _{ACTUAL}
Q_{MIN} = # termination caps x 3		R_{MAX} = (2 / # termination caps) x Q_{ACTUAL}

* **60" minimum for vinyl clad soffits.**

** a vent shall not terminate directly above a sidewalk or paved driveway which is located between two single family dwellings and serves both dwellings.

*** only permitted if veranda, porch, deck or balcony is fully open on a minimum of 2 sides beneath the floor.

NOTE 1: On private property where termination is less than 7 feet above a sidewalk, driveway, deck, porch, veranda or balcony, use of a listed cap shield is suggested.

NOTE 2: Termination in an alcove space (spaces open only on one side and with an overhang) are permitted with the dimensions specified for vinyl or non-vinyl siding and soffits. **1.** There must be 3 feet minimum between termination caps. **2.** All mechanical air intakes within 10 feet of a termination cap must be a minimum of 3 feet below the termination cap. **3.** All gravity air intakes within 3 feet of a termination cap must be a minimum of 1 foot below the termination cap.

Figure 27. Vent Termination Minimum Clearances

NOTE 3: Local codes or regulations may require different clearances.

NOTE 4: Termination caps may be hot. Consider their proximity to doors or other traffic areas.

WARNING: In the U.S: Vent system termination is **NOT** permitted in screened porches. You must follow side wall, overhang and ground clearances as stated in the instructions.

In Canada: Vent system termination is **NOT** permitted in screened porches. Vent system termination is permitted in porch areas with two or more sides open. You must follow all side walls, overhang and ground clearances as stated in the instructions.

Heat-N-Glo assumes no responsibility for the improper performance of the fireplace when the venting system does not meet these requirements.

CAUTION: IF EXTERIOR WALLS ARE FINISHED WITH VINYL SIDING, IT IS NECESSARY TO INSTALL THE VINYL PROTECTOR KIT TO THE TOP OF THE EXTERIOR FIRESTOP (FOR ALL ROUND TERMINATION CAPS). IT IS STRONGLY RECOMMENDED WHENEVER POSSIBLE TO USE THE VINYL PROTECTOR KIT.

For Vertical Terminations - To locate the vent and install the vent sections:

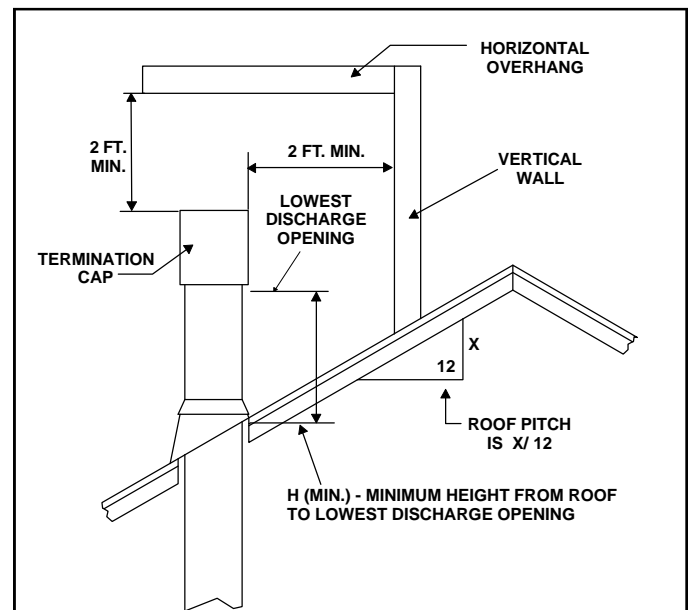
- Locate and mark the vent centerpoint on the underside of the roof, and drive a nail through the centerpoint.
- Make the outline of the roof hole around the centerpoint nail.
- The size of the roof hole framing dimensions depend on the pitch of the roof. There **MUST BE** a 1-inch (25.4mm) clearance from the vertical vent pipe to combustible materials.
- Mark the roof hole accordingly.
- Cover the opening of the installed vent pipes.
- Cut and frame the roof hole.
- Use framing lumber the same size as the roof rafters and install the frame securely. Flashing anchored to the frame must withstand heavy winds.
- Continue to install concentric vent sections up through the roof hole (for inside vent installations) or up past the roof line until you reach the appropriate distance above the roof (for outside terminations).

To seal the roof hole, and to divert rain and snow from the vent system:

- Attach a flashing to the roof using nails, and use a non-hardening mastic around the edges of the flashing base where it meets the roof.
- Attach a storm collar over the flashing joint to form a water-tight seal. Place non-hardening mastic around the joint, between the storm collar and the vertical pipe.
- Slide the termination cap over the end of the vent pipe and rotate the pipe clockwise 1/4 turn.

WARNING: MAJOR U.S. BUILDING CODES SPECIFY MINIMUM CHIMNEY AND/OR VENT HEIGHT ABOVE THE ROOF TOP. THESE MINIMUM HEIGHTS ARE NECESSARY IN THE INTEREST OF SAFETY. SEE THE FOLLOWING DIAGRAM FOR MINIMUM HEIGHTS, PROVIDED THE TERMINATION CAP IS AT LEAST TWO (2) FEET FROM A VERTICAL WALL AND 2-FEET BELOW A HORIZONTAL OVERHANG.

NOTE: This also pertains to vertical vent systems installed on the outside of the building.

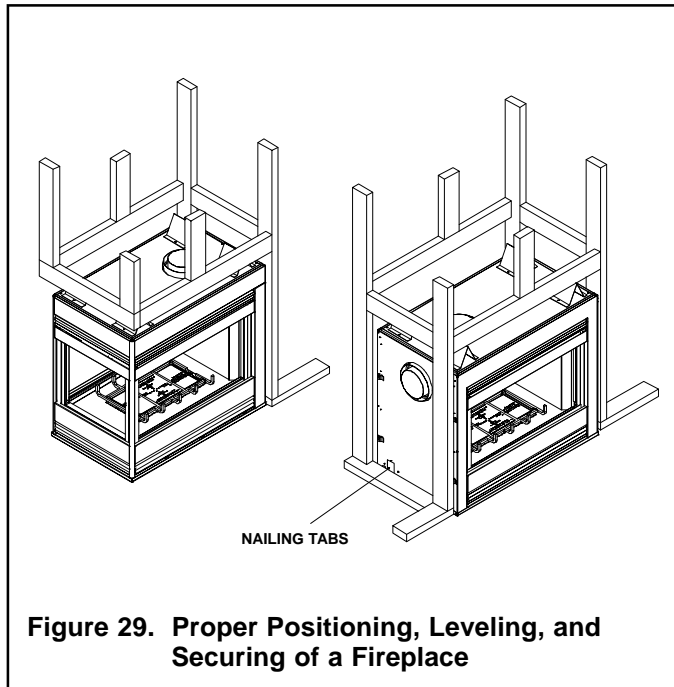


Roof Pitch	H (min.) ft.
flat to 6/12	1.0
6/12 to 7/12	1.25
over 7/12 to 8/12	1.5
over 8/12 to 9/12	2.0
over 9/12 to 10/12	2.5
over 10/12 to 11/12	3.25
over 11/12 to 12/12	4.0
over 12/12 to 14/12	5.0
over 14/12 to 16/12	6.0
over 16/12 to 18/12	7.0
over 18/12 to 20/12	7.5
over 20/12 to 21/12	8.0

Figure 28. Minimum Height from Roof to Lowest Discharge Opening

Step 4. Positioning, Leveling, and Securing the Fireplace

The diagram below shows how to properly position, level, and secure the fireplace.



- Place the fireplace into position.
- Level the fireplace from side to side and from front to back.
- Shim the fireplace with non-combustible material, such as sheet metal, as necessary.
- Secure the fireplace to the framing by nailing or screwing.

Step 5. The Gas Control System



WARNING: THIS UNIT IS NOT FOR USE WITH SOLID FUEL.

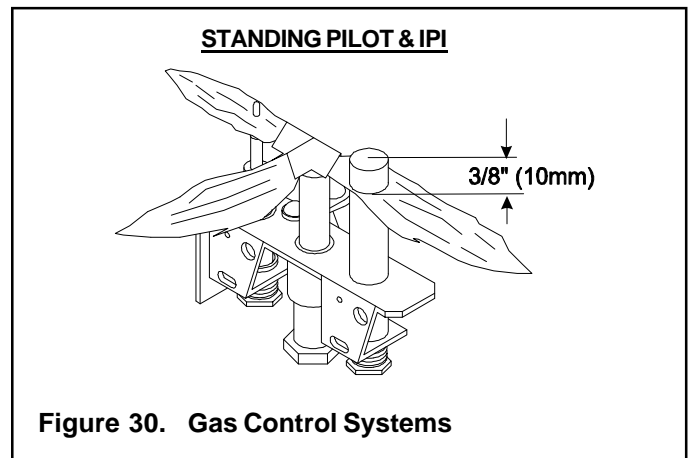
Two types of gas control systems are used with these models: *Standing Pilot Ignition* and *Intermittent Pilot Ignition (IPI)*.

Standing Pilot Ignition System

This system includes millivolt control valve, standing pilot, thermopile/thermocouple flame sensor, and piezo ignitor.



WARNING: 110-120 VAC MUST NEVER BE CONNECTED TO A CONTROL VALVE IN A MILLIVOLT SYSTEM.



Intermittent Pilot Ignition (IPI) System

This system includes a 3V control valve, electronic module and intermittent pilot.



WARNING: CONTINUOUS 110-120 VAC SERVICE MUST BE WIRED DIRECTLY TO THE FIREPLACE JUNCTION BOX IN A IPI SYSTEM.

Step 6. The Gas Supply Line

NOTE: Have the gas supply line installed in accordance with local building codes by a qualified installer approved and/or licensed as required by the locality. (In the state of Massachusetts installation must be performed by a licensed plumber or gas fitter).

NOTE: Before the first firing of the fireplace, the gas supply line should be purged of any trapped air.

NOTE: Consult local building codes to properly size the gas supply line leading to the 1/2 inch (13 mm) hook-up at the unit.

This gas fireplace is designed to accept a 1/2 inch (13 mm) gas supply line.

To install the gas supply line:

- A listed (and State of Massachusetts approved) 1/2 inch (13mm) tee-handle manual shut-off valve and a listed flexible gas connector are connected to the 1/2 inch (13mm) inlet of the control valve. **NOTE:** If substituting for these components, please consult local codes for compliance.
- Locate the gas line access hole in the outer casing of the fireplace.
- The gas line may be run from either side of the fireplace provided the hole in the outer wrap does not exceed 2" in diameter and it does not penetrate the actual firebox.
- Open the fireplace lower grille, insert the gas supply line through the gas line hole, and connect it to the shut-off valve.
- When attaching the pipe, support the control so that the lines are not bent or torn.
- After the gas line installation is complete, use a soap solution to carefully check all gas connections for leaks.



WARNING: DO NOT USE AN OPEN FLAME TO CHECK FOR GAS LEAKS.

- Insert insulation from the outside of the fireplace and pack the insulation tightly to totally seal between the pipe and the outer casing.
- At the gas line access hole the gap between the supply piping and gas access hole can be plugged with non-combustible insulation to prevent cold air infiltration.

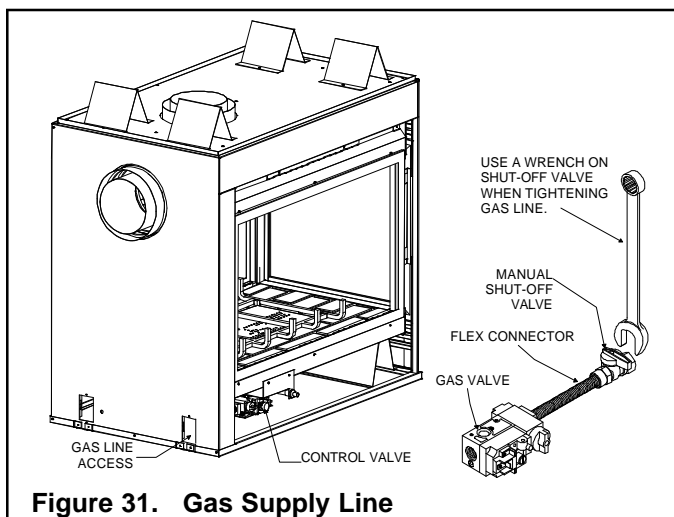


Figure 31. Gas Supply Line

Step 7. Gas Pressure Requirements

Pressure requirements for Heat-N-Glo gas fireplaces are shown in the table below.

Pressure	Natural Gas	Propane
Minimum Inlet Pressure	5.0 inches w.c.	11.0 inches w.c.
Maximum Inlet Gas Pressure	14.0 inches w.c.	14.0 inches w.c.
Manifold Pressure	3.5 inches w.c.	10.0 inches w.c.

A one-eighth (1/8) inch (3 mm) N.P.T. plugged tapping is provided on the inlet and outlet side of the gas control for a test gauge connection to measure the manifold pressure.

The fireplace and its individual shut-off valve must be disconnected from the gas supply piping system during any pressure testing of the system at test pressures in excess of one-half (1/2) psig (3.5 kPa).

The fireplace must be isolated from the gas supply piping system by closing its individual shut-off valve during any pressure testing of the gas supply piping system at test pressures equal to or less than one-half (1/2) psig (3.5 kPa).

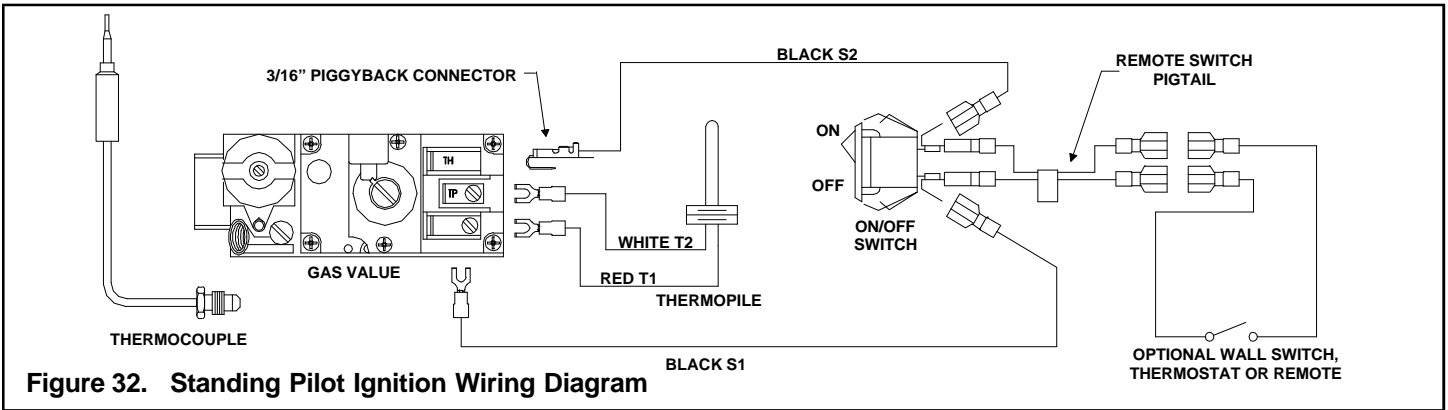


Figure 32. Standing Pilot Ignition Wiring Diagram

Step 8. Wiring the Fireplace

NOTE: Electrical wiring must be installed by a licensed electrician.

CAUTION: DISCONNECT REMOTE CONTROLS IF ABSENT FOR EXTENDED TIME PERIODS. THIS WILL PREVENT ACCIDENTAL FIREPLACE OPERATION.

For Standing Pilot Ignition Wiring

Appliance Requirements

- This appliance **DOES NOT** require 110-120 VAC to operate.

WARNING: DO NOT CONNECT 110-120 VAC TO THE GAS CONTROL VALVE OR WALL SWITCH OR THE APPLIANCE WILL MALFUNCTION AND THE VALVE WILL BE DESTROYED.

Optional Accessories

Optional fan and remote control kits require that 110-120 VAC be wired to the factory installed junction box before the fireplace is permanently installed.

Wall Switch

Position the wall switch in the desired position on a wall. Run a maximum of 25 feet (7.8 m) or less length of 18 A.W.G. minimum wire and connect it to the fireplace ON/OFF switch pigtails.

CAUTION: LABEL ALL WIRES PRIOR TO DISCONNECTION WHEN SERVICING CONTROLS. WIRING ERRORS CAN CAUSE IMPROPER AND DANGEROUS OPERATION. VERIFY PROPER OPERATION AFTER SERVICING.

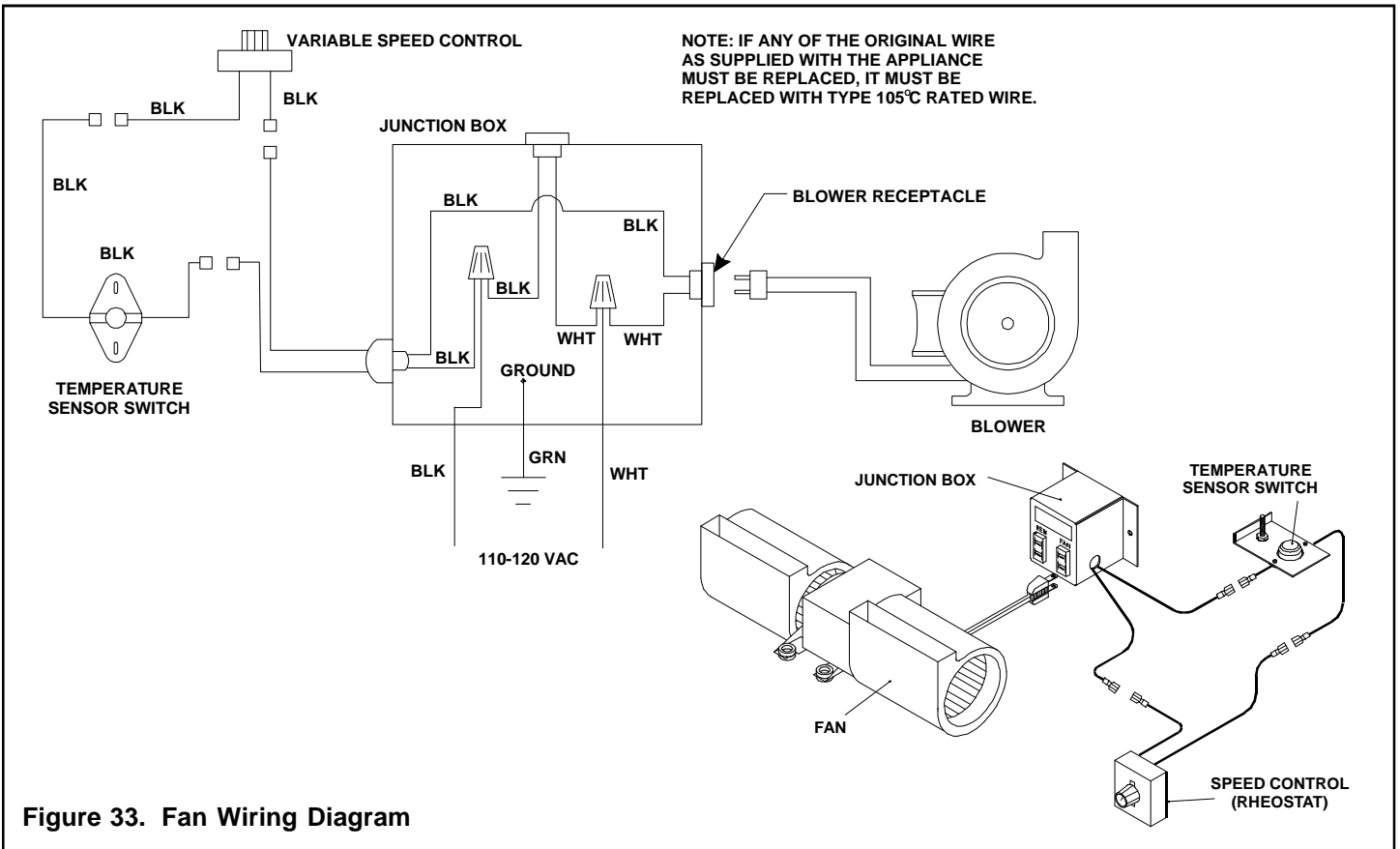


Figure 33. Fan Wiring Diagram

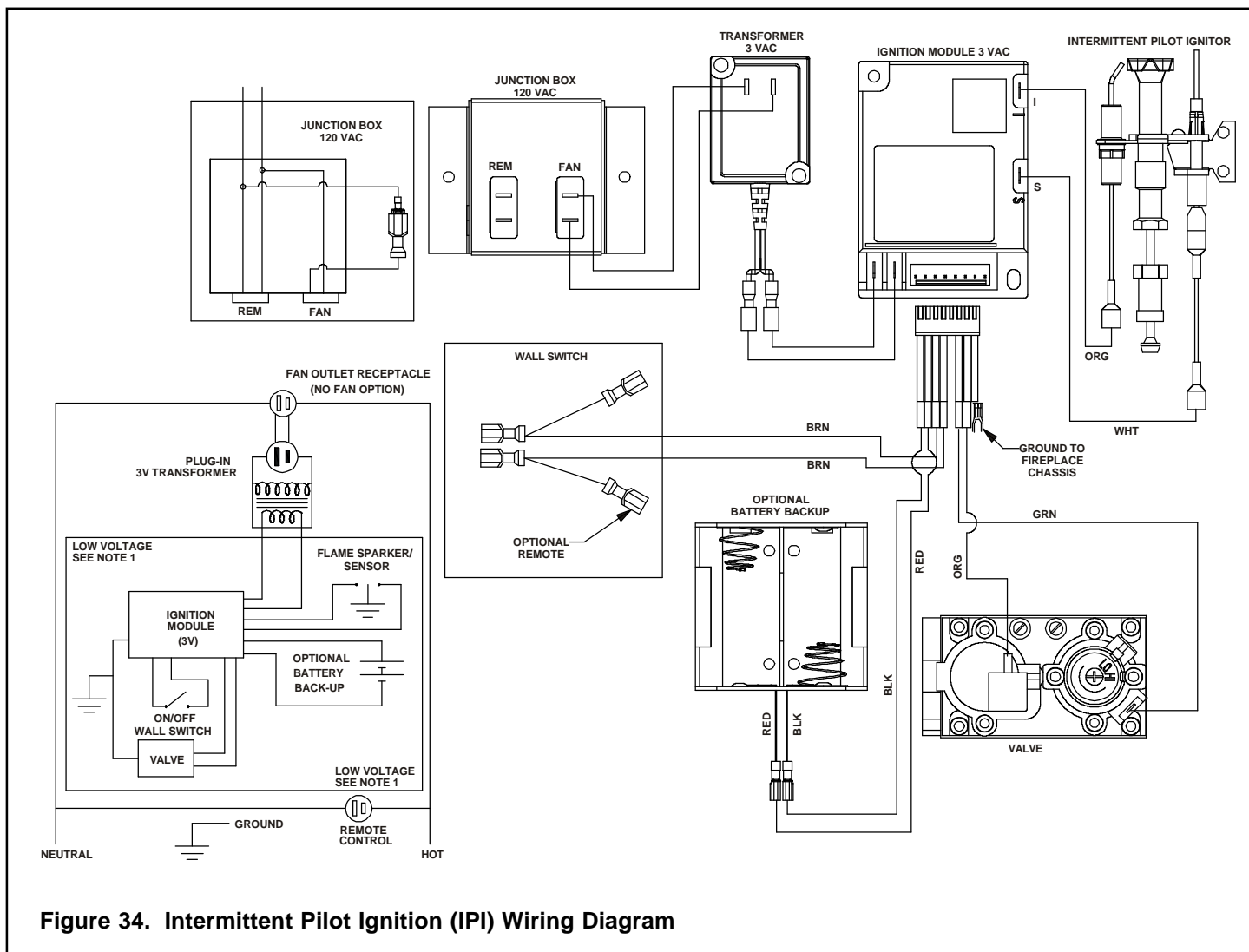


Figure 34. Intermittent Pilot Ignition (IPI) Wiring Diagram

For Intermittent Pilot Ignition (IPI) Wiring

Appliance Requirements

This appliance requires that 110-120 VAC be wired to the junction box. Maintain correct polarity when wiring the junction box.

Operation using Battery Power

This fireplace has an optional battery operation. The system is fully functional with the use of two "D" size batteries without ordinary 110-120 VAC power.

Wiring to the battery pack should be left disconnected in order to conserve battery life. In the case of a loss of power, simply connect red and black wire leads to activate battery power (connect red to red, black to black). The fireplace can be used as necessary. Once power (110 VAC) is restored, disconnect red and black wire leads to extend battery life.

Optional Accessories

Optional fan and remote control kits require that 110-120 VAC be wired to the fireplace junction box.

Wall Switch

Position the wall switch in the desired position on a wall. Run 16 A.W.G. minimum Romex wire a maximum of 25 feet and connect it to the fireplace ON/OFF switch pigtails.

CAUTION: LABEL ALL WIRES PRIOR TO DISCONNECTION WHEN SERVICING CONTROLS. WIRING ERRORS CAN CAUSE IMPROPER AND DANGEROUS OPERATION. VERIFY PROPER OPERATION AFTER SERVICING.

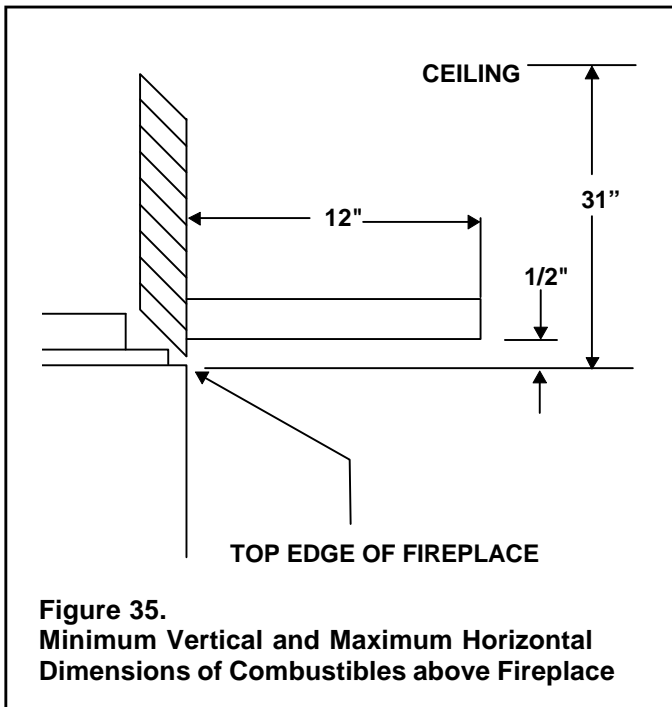
Step 9. Finishing

Figure 35 shows the minimum vertical and corresponding maximum horizontal dimensions of fireplace mantels or other combustible projections above the top front edge of the fireplace. See Figures 4 and 5 for other fireplace clearances.

Only non-combustible materials may be used to cover the black fireplace front.

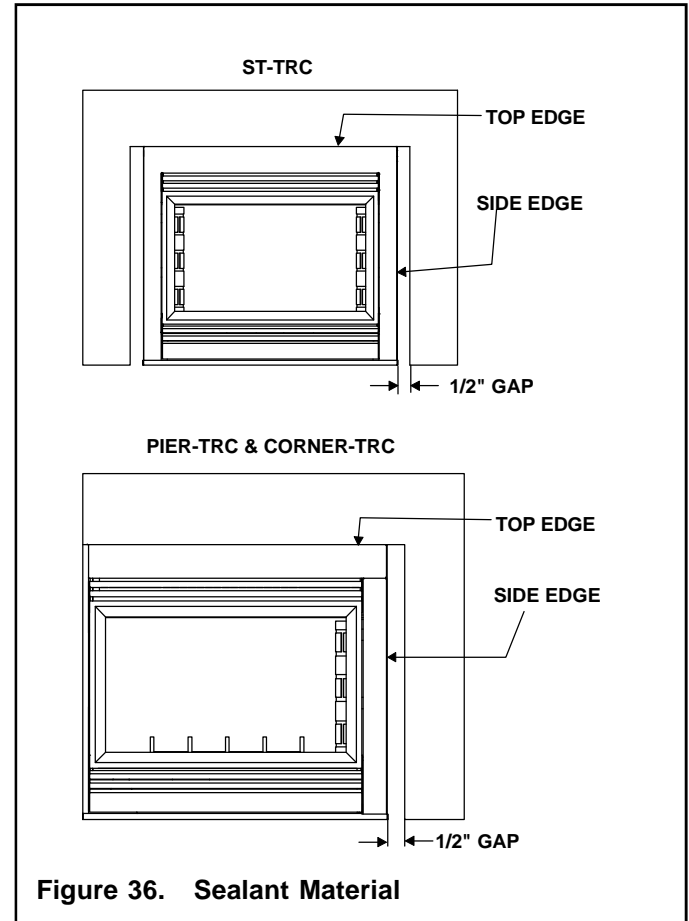


WARNING: WHEN FINISHING THE FIREPLACE, NEVER OBSTRUCT OR MODIFY THE AIR INLET/OUTLET GRILLES IN ANY MANNER.



CAUTION: IF JOINTS BETWEEN THE FINISHED WALLS AND THE FIREPLACE SURROUND (TOP AND SIDES) ARE SEALED, A 300° F. MINIMUM SEALANT MATERIAL MUST BE USED. THESE JOINTS ARE NOT REQUIRED TO BE SEALED. ONLY NON-COMBUSTIBLE MATERIAL (USING 300° F. MINIMUM ADHESIVE, IF NEEDED) CAN BE APPLIED AS FACING TO THE FIREPLACE SURROUND. SEE THE DIAGRAM BELOW.

NOTE: Sheetrock or other combustible material such as wood can be placed on the top edge of the fireplace. A 1/2-inch gap along the side must be maintained.



Hearth Extensions

A hearth extension may be desirable for aesthetic reasons. However, ANSI or CAN/CGA testing standards **do not** require hearth extensions for gas fireplace appliances.

Step 10. Installing Trim, Logs & Ember Material

Installing the Trim

Combustible materials may be brought up to the specified clearances on the side and top front edges of the fireplace, but **MUST NEVER** overlap onto the front face. The joints between the finished wall and the fireplace top and sides can only be sealed with a 300° F. (149° C) minimum sealant.



WARNING: WHEN FINISHING THE FIREPLACE, NEVER OBSTRUCT OR MODIFY THE AIR INLET/OUTLET GRILLES IN ANY MANNER.

Install optional marble and brass trim surround kits as desired. Marble, brass, brick, tile, or other non-combustible materials can be used to cover up the gap between combustible material (sheetrock or wood) and the fireplace.

Do not obstruct or modify the air inlet/outlet grilles. When overlapping on both sides, leave enough space so that the bottom grille can be lowered and the trim door removed.

Positioning the Logs

If the gas logs have been factory installed they should not need to be positioned. If the logs have been packaged separately, refer to the instructions that accompany the logs. **Save the log instructions with this manual.**

If sooting occurs, the logs might need to be repositioned slightly to avoid excessive flame impingement.

Shutter Settings

	NG	LP
PIER-TRC	1/2"	SET
ST-TRC	1/2"	SET
L&R CORNER-TRC	1/2"	SET

GLASS SPECIFICATIONS:

Model	Large Glass	Small Glass	Glass Type
PIER-TRC	34" x 20"	20" x 20"	TEMPERED
ST-TRC	34" x 20"	N/A	TEMPERED
CORNER-TRC'S	34" x 20"	20" x 20"	TEMPERED

Heat-N-Glo fireplaces manufactured with tempered glass may be installed in hazardous locations such as bathtub enclosures as defined by the CPSC. The tempered glass has been tested and certified to the requirements of ANSI Z97.1-1984 and CPSC 16 CFR 1202. (Safety Glazing Certification Council SGCC # 1595 and 1597. Architectural Testing, Inc. Reports 02-31919.01 and 02-31917.01.)

This statement is in compliance with CPSC 16 CFR Section 1201.5 "Certification and labeling requirements" which refers to 15 USC 2063 stating "...Such certificate shall accompany the product or shall otherwise be furnished to any distributor or retailer to whom the product is delivered."

Some local building codes require the use of tempered glass with permanent marking in such locations. Glass meeting this requirement is available from the factory. Please contact your dealer or distributor to order.

Placing the Ember Material

Ember material is shipped with this gas fireplace. The bag labeled Golden Ember (GE-93) is flame colorant material. The bag labeled Glowing Ember (050-721) is standard glowing ember material.

To place the ember material:

- Remove the wing nuts and glass clips or tension springs around the glass door.
- Remove the glass door from the unit.
- Place dime size pieces of ember material about 1/2 inch apart near port holes in burner top. Do **NOT** press embers into burner ports. Cover the top of the burner with a single layer of ember material. For best performance do NOT place embers on the ports at the rear of the burner.
- Save the remaining ember materials for use during fireplace servicing. The bag of embers provided is sufficient for 3 to 5 applications.
- Replace the wing nut, glass clips, and screws.
- Replace the glass door and a front trim door on the unit.
- Hand tighten the wing nut.



Figure 37. Placement of the Ember Material

Step 11. Before Lighting the Fireplace

Before lighting the fireplace, be sure to do the following:

Remove all paperwork from underneath the fireplace.

Review safety warnings and cautions

- Read the **Safety and Warning Information** section at the beginning of this *Installers Guide*.

Double-check for gas leaks

- Before lighting the fireplace, double-check the unit for possible gas leaks.

Double-check vent terminations and front grilles for obstructions.

- Before lighting the fireplace, double-check the unit for possible obstructions that could be blocking the vent terminations or the front grilles.

Double-check for faulty components

- Any component that is found to be faulty **MUST BE** replaced with an approved component. Tampering with the fireplace components is **DANGEROUS** and voids all warranties.

A small amount of air will be in the gas supply lines. When first lighting the fireplace, it will take a few minutes for the lines to purge themselves of this air. Once the purging is complete, the fireplace will light and will operate normally.

Subsequent lightings of the fireplace will not require this purging of air from the gas supply lines, **unless the gas valve has been turned to the OFF position**, in which case the air would have to be purged.

NOTE: The fireplace should be run 3 to 4 hours on the initial start-up. Turn it off and let it cool completely. Remove and clean the glass. Replace the glass and run the fireplace for an additional 8 hours. This will help to cure the chemicals used in the paint and logs.

Step 12. Lighting the Fireplace

You've reviewed all safety warnings, you've checked the fireplace for gas leaks, you know the vent system is unobstructed, and you've checked for faulty components. Now you're ready to light the fireplace.



WARNING: PLEASE REFER TO THE USER'S MANUAL FOR ALL CAUTIONS, SAFETY, AND WARNING INFORMATION PERTAINING TO THE LIGHTING AND OPERATION OF THE FIREPLACE.

After the Installation



LEAVE THIS INSTALLATION MANUAL WITH THE APPLIANCE FOR FUTURE REFERENCE.

4

Maintaining and Servicing Your Fireplace

Fireplace Maintenance

Although the frequency of your fireplace servicing and maintenance will depend on use and the type of installation, you should have a qualified service technician perform an appliance check-up at the beginning of each heating season. See the table below for specific guidelines regarding each fireplace maintenance task.

IMPORTANT: TURN OFF THE GAS BEFORE SERVICING YOUR FIREPLACE.

Replacing old ember material

Frequency: Once annually, during the checkup.

By: Qualified service technician.

Task: Brush away loose ember material near the burner. Replace old ember material with new dime-size and shape pieces of Golden Ember (GE-93) and Glowing Ember (050-721). New ember material should be placed alternately on top of the burner - a layer of Golden Ember, a layer of Glowing Ember, and so on. Save the remaining ember material and repeat this procedure at your next servicing. For more information, see **Placing Ember Material**.

Cleaning Burner and Controls

Frequency: Once annually.

By: Qualified service technician.

Task: Brush or vacuum the control compartment, fireplace logs and burner areas surrounding the logs.

◆ Cleaning Flame Sensor Rod (IPI Systems)

Frequency: Periodically.

By: Qualified service technician.

Task: Make a visual check of the straight flame sensor rod. Use steel wool or fine sandpaper to carefully remove any existing white deposits.

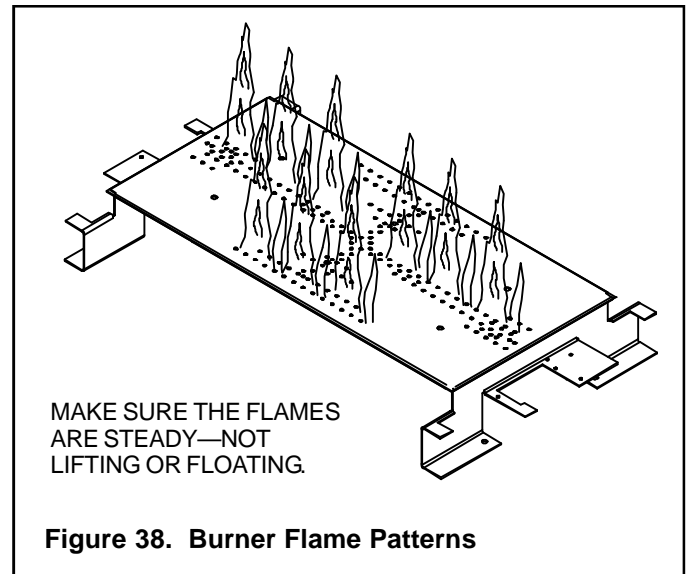
Checking Flame Patterns, Flame Height

Frequency: Periodically.

By: Qualified service technician/Home owner.

Task: Make a visual check of your fireplace's flame patterns. Make sure the flames are steady - not lifting or floating.

- ◆ See Figure 38. The flame sensor (IPI) or thermopile/thermocouple (standing pilot) tips should be covered with flame. See Figure 30.



Checking Vent System

Frequency: Before initial use and at least annually thereafter, more frequently if possible.

By: Qualified service technician/Home owner.

Task: Inspect the external vent cap on a regular basis to ensure that no debris is interfering with the flow of air. Inspect entire vent system for proper function.

Cleaning Glass Door

Frequency: After the first 3 to 4 hours of use. As necessary after initial cleaning.

By: Home owner.

Task: Remove and clean glass after the first 3 to 4 hours of use. After the initial cleaning, clean as necessary, particularly after adding new ember (flame colorant) material. Film deposits on the inside of the glass door should be cleaned off using a household glass cleaner. **NOTE: DO NOT handle or attempt to clean the door when it is hot and DO NOT use abrasive cleaners.**

Free Manuals Download Website

<http://myh66.com>

<http://usermanuals.us>

<http://www.somanuals.com>

<http://www.4manuals.cc>

<http://www.manual-lib.com>

<http://www.404manual.com>

<http://www.luxmanual.com>

<http://aubethermostatmanual.com>

Golf course search by state

<http://golfingnear.com>

Email search by domain

<http://emailbydomain.com>

Auto manuals search

<http://auto.somanuals.com>

TV manuals search

<http://tv.somanuals.com>